

2000 CHRYSLER CONCORDE



OVER THE FIRST 75 YEARS, CHRYSLER ENGINEERING

EXCELLENCE BECAME CHRYSLER HERITAGE. Within the last

10 years, Chrysler cab-forward styling has changed the architecture of the modern automobile. Simultaneously came a fine-tuning so precise that drivers, lured by the sophisticated styling, are captured by the spirited road manners. It is that perfected bonding of engineering heritage, expressive design and exacting agility that comprises the Chrysler lineup for the year 2000. The Chrysler heritage continues: with 300M, purebred descendant of the fabled 300 letter series; with Sebring, the land's best-selling convertible; with Town & Country, the luxury culmination of 16 years of Chrysler minivan leadership; with the 2001 PT Cruiser,* breaking the barriers of conventional design *and* function. With an entire family of elegant and able-bodied offerings that propel Chrysler innovation into the millennium.





Concorde ... raises
the ante with some
of the sexiest sheet
metal on earth."

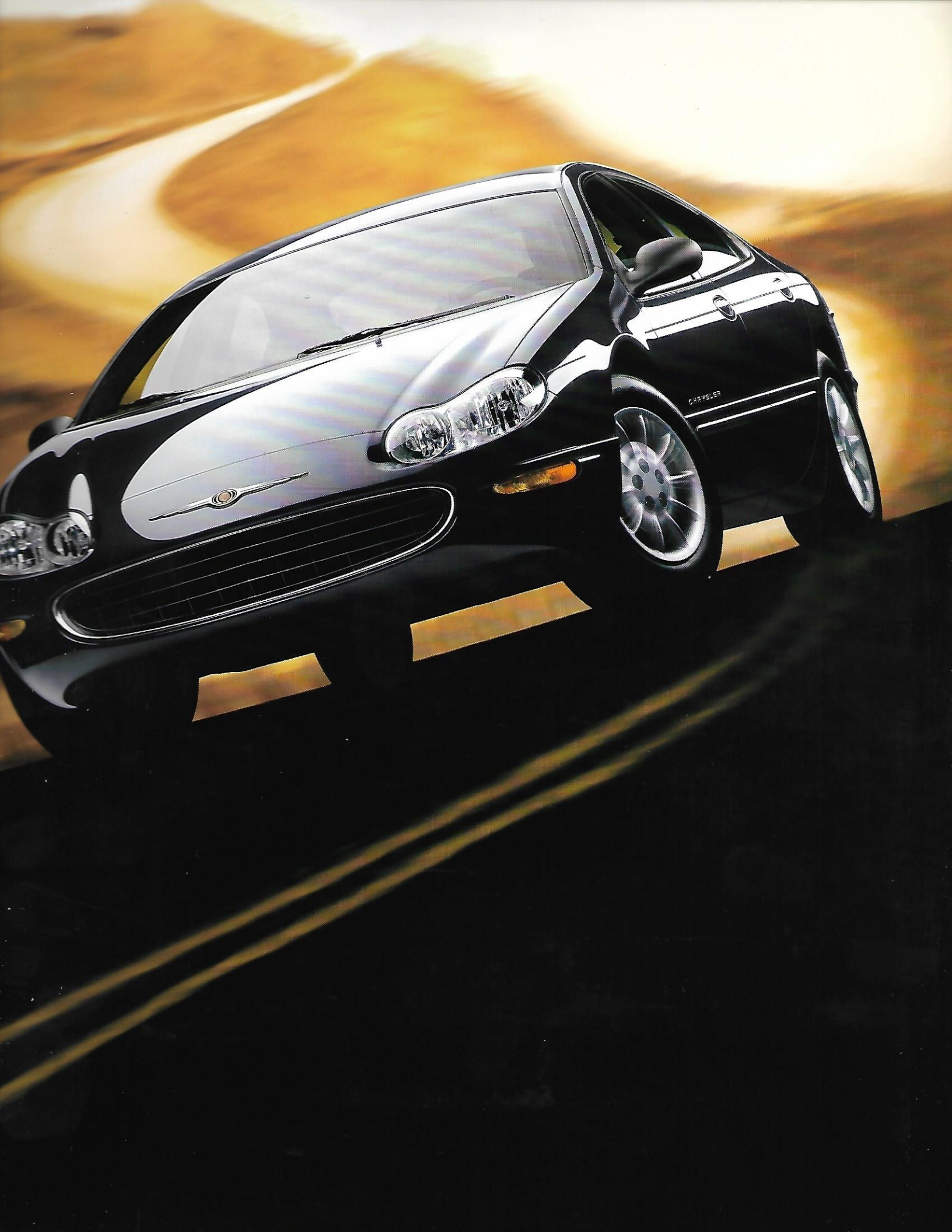
— Motor Trend

CONCEIVED IN PASSION, NURTURED BY PRECISION,

the newest Concorde is alluring outside, spacious inside, agile afoot and powerfully efficient. In a word, **sophisticated** ... a careful blending of looks and legacy that combines sleek expressive styling with a heritage of innovative engineering. The result is Concorde, the next generation of Chrysler's acclaimed cab-forward design. The evolution of that design gives Concorde **its stunning looks**, a silhouette sensuously styled in a single, continuous, sculptured line. But it is the legacy of Chrysler engineering that provides Concorde-on-the-road with **its zest and agility**, behaving for all the world like a spirited coupe. Concorde also exudes refinement. In its tasteful design and in its functional engineering. Notice (at right) the classical grille, tastefully crowned with the winged medallion, a modern interpretation of the wings and seal on the first Chrysler in 1924. Notice next (below, left) the functionally engineered headlamps that boast world-class halogen illumination, a shining example of the **Chrysler engineering heritage** that still guides innovation. The heritage lives, but today, it is modernity that rules, as evidenced by such contemporary wonders as the CATIA® computer system—the process that was activated to develop, test and validate every aspect of Concorde's existence. In these pages, and in the newest Concorde itself, are found the proof of that system's effectiveness.

Optic-free lenses
and high-powered
reflectors contribute
to Concorde's
world-class halogen
illumination.



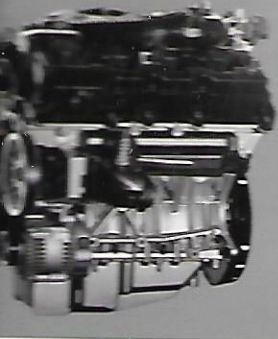




*"... bigger than its price-class rivals, infinitely more
dramatic and exciting in appearance."*

*— from Automobile Magazine's
article announcing the publication's
1998 "Design of the Year" award.*





For a stiffer build and smoother operation, the 2.7-liter V6 features design aspects more commonly found on racing engines.

THE LEGENDARY CHRYSLER HEMI® WAS ACCLAIMED

for its performance, and Chrysler's venerable Slant-Six was heralded for its durability, fuel economy and packaging. Now, each of Concorde's two **world-class aluminum engines** combines all of those attributes, to open a new era in Chrysler's engineering legacy of power train breakthroughs.

These astounding engines are the first to utilize **"paperless design"** techniques. Paper drawings were completely eliminated, replaced by extensive use of CATIA®-based computer design, predictive modeling technology and a rapid prototyping process. The newest Concorde engines are as much as 25 percent more powerful than their predecessors, yet they improve overall efficiency by nearly 10 percent, cut emissions by a full 30 percent and increase sound-silencing torsional stiffness by more than 25 percent. Both of the Concorde engines are **designed to be leak-free**

and each is equipped with a coil-on-plug ignition system with platinum-tipped **100,000-mile spark plugs.***



Concorde LX's 2.7-liter 24-valve V6 sports smooth-running dual overhead camshafts and delivers 200 horsepower, making it one of today's most efficiently potent engines. A 225-horsepower 3.2-liter 24-valve V6 powers the Concorde LXi, which is equipped with a three-plenum intake manifold for optimum wide-open throttle power at high speed.

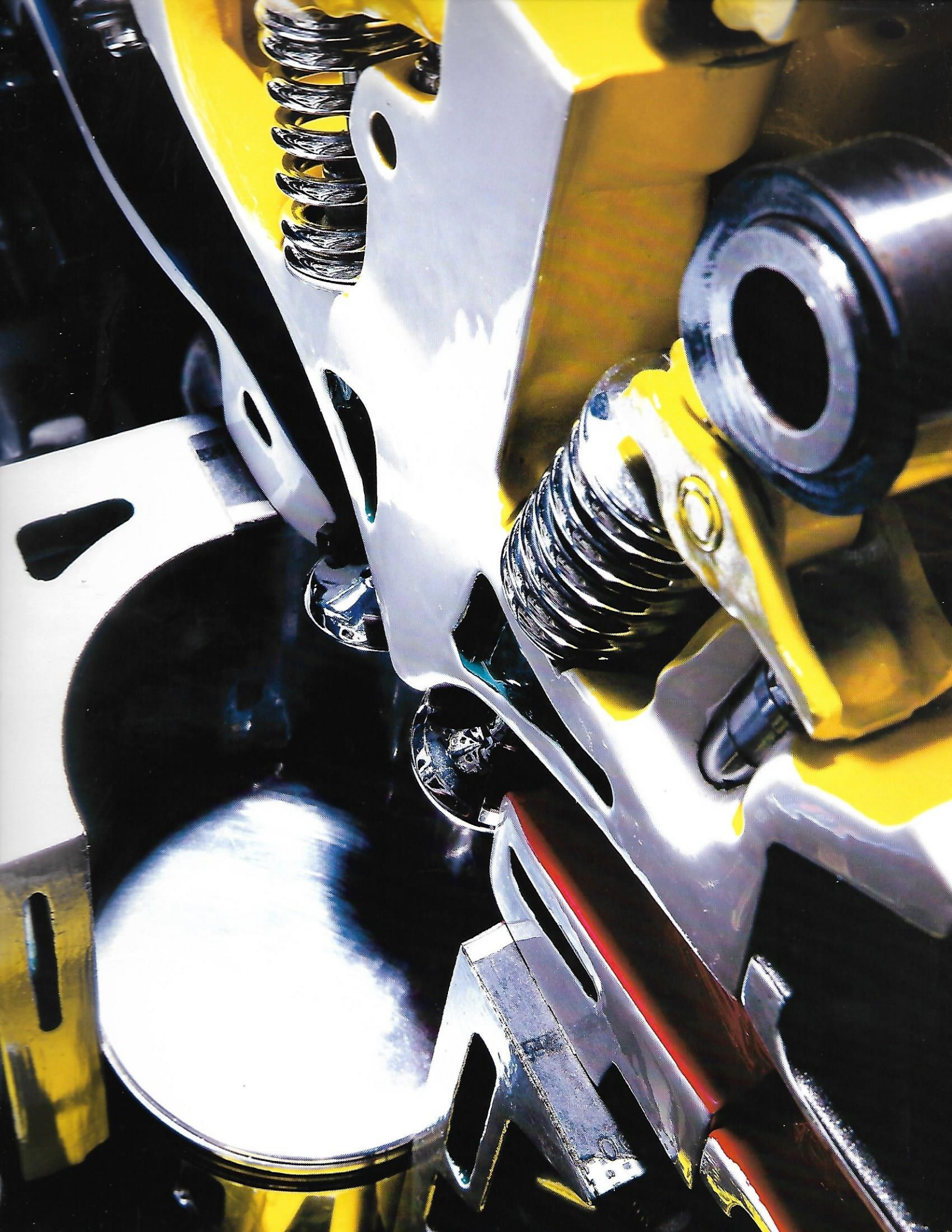
"... Chrysler's first 'paperless' cars ... allowed Chrysler to explore every viable alternative before it actually began to assemble the cars."
— SmartMoney

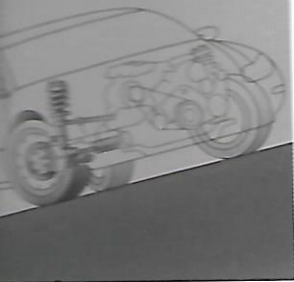
Sophisticated sensors on the 3.2-liter V6 eliminate damaging engine knock that can occur when more conventional technology is used.

Configured with sequential multi-point fuel injection, the 2.7-liter V6 generates 200 hp @ 5,800 rpm, and the 3.2-liter V6 yields 225 hp @ 6,300 rpm.

*Maintenance needs vary depending on vehicle use and driving conditions. See Owner's Manual for details.





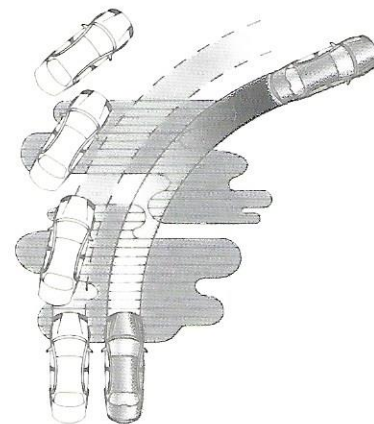


Concorde's upgraded suspension has been touring-tuned to improve handling and ride. LXi's speed-sensitive power steering allows luxury-car ease of parking and a sports-car handling feel at highway speeds.

EMBRACING THE ARTFUL LOOKS OF A SPORT

COUPE, Concorde incorporates its agile handling characteristics as well.

The precise touring-tuned suspension and extremely rigid body structure ensure a **stimulating driving experience** with crisp cornering, exceptional stability and a hushed ride. Credit a good degree of Concorde's surefootedness to its unique cab-forward architecture, which pushes the wheels appreciably more toward the corners of the car. Concorde's suspension is fully independent, consisting of MacPherson struts up front and a multilink configuration with Chapman struts at the rear. A pair of hefty stabilizer bars maintain Concorde's **flat cornering**. Computer modeling of suspension compliance characteristics helped to refine handling response. In addition, the suspension's exacting geometry reduces rear-end squat under acceleration and front-end dive under braking for satisfyingly smooth sailing. To keep the drive wheels from spinning at start-up on slick surfaces, Concorde LXi's **Low-Speed Traction Control** system works in tandem with the antilock brakes' speed sensors to detect wheel-slip, applying brake pressure to the spinning wheel(s) exactly as needed. Mated to each of the all-new aluminum V6 power plants, Concorde's four-speed automatic is the world's leading example of a fully adaptive, electronically controlled transaxle. It actually "learns" your driving style, then tailors the internal shift patterns accordingly.



Available Low-Speed Traction Control functions at speeds up to 35 mph (standard on LXi).

Four-wheel disc antilock brakes are available (standard on LXi) for improved steering control during hard braking.



Full rear wheelhouse silencers* and an isolated crossmember effectively diminish interior noise for rear-

Silencing things up front is a hydroformed cradle with a patented double shear-plane cradle mount.

*Late availability



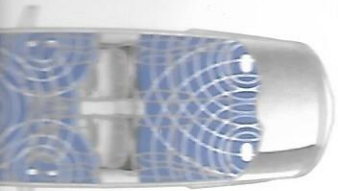


CONCORDE

Infinity







An Infinity Spatial Imaging™ Sound System with nine speakers in seven locations is available on Concorde LXi.

CONCORDE'S INTERIOR IS AS FINELY FINESSED AS

its exterior, with seamless concealment of the dual Next Generation air bags,* upper interior head impact protection (not required until 2003), flush radio and heater controls and **theater-style automatic dimming** of courtesy lamps. Unique interior color tones, marked by a dark upper over a light lower, richly enhance Concorde's feeling of spaciousness. The soft-touch urethane



outer surface of the upper instrument panel is an

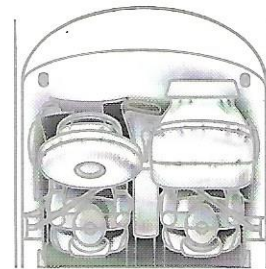
industry first, while a gently grained finish on the center console and wood-grained accents provide an equally welcoming appearance. Door-mounted armrests are ergonomically, not to mention comfortably, angled upward.

Standard amenities include air conditioning, keyless entry, illuminated visor vanity mirrors, electronic speed control, power exterior mirrors, power windows with a driver's one-touch-down feature, and speed-sensitive power door locks. The luxury of a five-passenger **leather-trimmed interior** — with eight-way power front bucket seats and a leather-wrapped steering wheel and shift knob — is included on Concorde LXi. Six-passenger seating capability is available with the addition of a 50/50 split-bench front seat.

*Certified to the Federal Regulations that allow less forceful air bags. Always use seat belts. Remember a backseat is the safest place for children.



Concorde LXi's overhead console, with reading lamps and compass, temperature and trip computer functions, is available on LX.



A Chrysler first, Concorde incorporates smokeless, odor-free Next Generation air bag* inflator technology.

The available split-bench front seat incorporates a folding center armrest with storage and cup holders.









"... we were swayed by the Chrysler's excellent edge-of-the-envelope handling, spacious rear legroom, huge trunk, silky, environmentally friendly powerplant, and, most of all, seductive sheetmetal It's not the first time a pretty face influenced our thinking."

— Motor Trend



Below Concorde's sports-car-sleek 0.288 coefficient-of-drag skin is a solid-strength, sound-silencing structure.

State-of-the-art die-cast zinc window frame moldings are lodged above the dynamic side-impact protection of high-strength steel beams in all doors.

NEW SUPERCOMPUTERS ADDRESSED THE FOUR

ESSENTIAL functions of a body shell as a structure: (1) suspension

support, (2) noise reduction, (3) shake control, (4) impact energy

management. With the advent of today's **computer simulation**,

Concorde engineers could address those concerns simultaneously, for the

first time ever, during vehicle design. CATIA®'s enormous computer

database, along with Finite Element Analysis and Digital Model Assembly

techniques, were required to complete the task. Structural analysis of

Concorde's suspension support included a substantial number of detail

features to fine-tune its performance. Superior road manners and a

noticeable deadening of sounds result from a 37-percent increase in

torsional stiffness and a 46-percent greater bending stiffness of the newest

Unibody shell compared to Concorde's best-in-class forerunner. In the

DaimlerChrysler Technology Center's Noise, Vibration and Harshness

Laboratory, a new sound-testing procedure helped engineers predict the

intensity of structure-borne noises, eliminating them before they reached the

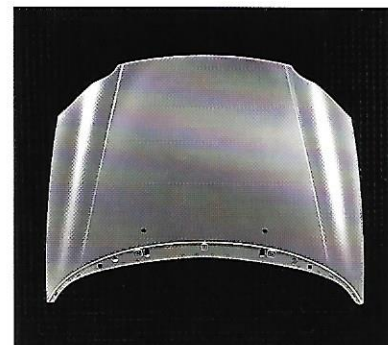
passenger compartment. **Undesirable shake was eliminated at the**

mounting points of the seats, instrument panel and steering wheel.

Computer simulations also guided engineers in their efforts to more

effectively manage impact energy by distributing it around the periphery of

the passenger compartment structure.



Concorde's hood was Chrysler's first high-volume aluminum exterior body panel.



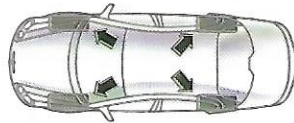
the compressed
 engine bay is a
 result of Concorde's
 and M theory:
 maximum space for
 an — Minimum
 space for Machine.

RAISING THE BAR OF CAB-FORWARD

ARCHITECTURE, Concorde—the original cab-forward car—

takes Chrysler's hallmark design to the next level. Cab-forward

architecture literally **changes the**



layout of the automobile, moving

each wheel farther toward its respective corner, and extending the

base of the windshield panoramically more frontward. Concorde's

cab-forward architecture seemingly defies conventional wisdom by

dramatically **increasing both interior and cargo space,**

while keeping overall exterior dimensions to a minimum. It widens

the wheel track for superb stability and agility, streamlines the

exterior for sleek wind-silencing travel and, most importantly,

provides an extremely generous amount of **room to stretch**

inside. Just as important as being inside is the comfortableness of

getting inside. And that's an easy move through the extra-wide door

openings made possible by Concorde's long wheelbase. Each door,

like every other exterior body panel on Concorde, meets stringent fit

dimensions. The Concorde literally has a **two-millimeter body,**

meaning all measured characteristics were faithfully adhered to, from

design through assembly, within a scant two millimeters of the

original computer-generated position.



ery Concorde
 occupant benefits
 om an immense,
 b-forward-inspired
 7.6-cubic-foot
 interior.





To help minimize movement, child seats can be adjusted to user ready child-seat

top-tether anchors on the rear window filler panel at each backseat position.



Concorde's convenient trunk pass-through is built into the rear seat and provides access to the massive 18.7-cubic-foot cargo hold. The trunk pass-through, tucked behind the rear armrest (with

pairs of skis to extend into the passenger compartment, while full seating privileges to either side are retained. Console (right) has handy cup and coin holders, CD and cassette storage.

the trunk to reveal a package-control cargo net (bottom). Computer-devised trunk hinges and gas-charged props are kept well out of the way during loading and



All Chrysler Concordes include:

- Air Bags*** — Next Generation environmentally friendly driver and front-passenger
- Air Conditioning**
- Antenna** — Integral to rear window
- Assist Handles** — Overhead for front and rear outboard passengers
- Brake-Park Interlock** — Cannot shift out of park until brake pedal is depressed
- Cargo Net** — Trunk
- Climate Control Outlets** — Rear, located in the rear of standard center console or beneath optional 50/50 front bench seat
- Coat Hooks** — Rear (2)
- Console** — Floor, includes cup holders, coin holder, cassette and CD storage, and rear-seat heat and A/C outlets¹
- Cup Holders** — Front (2) and rear (2)
- Defroster** — Electric rear window
- Door Locks** — Child-protection rear
 - Power, includes auto speed-sensitive feature
- Dynamic Side-Impact Intrusion Protection** — Patented design includes steel side-guard door beams and structural body reinforcements
- Floor Mats** — Front and rear, carpeted with driver's floor mat tie-down
- Glass** — Solar-control
- Interior Upper Head-Impact Protection** — For driver and front passenger along A-post, upper roof sill, B-post and is required for 2003
- Lighting**
 - Interior
 - Dual front map lamps, front door courtesy lamps, rear reading lamps above each door, glove box and trunk lamps
- Map Pockets**
 - Front doors
 - Front passenger seatback

Mirrors

- Exterior
 - Dual power
- Interior
 - Dual illuminated covered visor vanity

Power Accessory Outlet — 12-volt, located in instrument panel

Remote Keyless Entry System — Controls for power door locks, illuminated entry system, trunk lid release, panic alarm and available Vehicle Theft Security System. Includes two transmitters

Seat Belt Cluster Telltale Cluster (LED) — Remains on after engine start until driver buckles up

Seat Belts — Height-adjustable driver and front outboard passenger

Seats

Rear — Contoured bench with trunk pass-through

Speed Control — Electronic with steering wheel-mounted controls

Steering Column — Tilt

Suspension

- Front
 - Independent with gas-charged MacPherson struts and stabilizer bar
- Rear
 - Independent multilink with Chapman struts and stabilizer bar

Tires — P225/60 R16 BSW all-season touring

Trunk Lid Release — Remote

User-Ready Child Seat Top Tether Anchors (3) — Located in rear window filler panel at each backseat position to minimize after-market child seat movement

Windows — Power with driver's one-touch-down feature

Wiper System — Windshield, two-speed with speed-sensitive intermittent mode

*Certified to the Federal Regulations that allow less forceful air bags. Always use seat belts. Remember a backseat is the safest place for children.

¹Not available with split-bench front seat. Rear-seat heat and A/C outlets are located under optional split-bench seat.

FEATURES, OPTIONS AND PACKAGE GROUPS

		LX		LXi
Engine	Transaxle	C	D	F
2.7-liter DOHC 24V SMPI V6	4-speed Automatic	22C	22D	
3.2-liter SOHC 24V SMPI V6	4-speed Automatic			24F
Air Conditioning				
— Manual temperature control		●	●	
— Automatic temperature control				●
Brakes				
— Four-wheel disc		●	●	
— Four-wheel disc with four-wheel antilock		○	○	●
Cold Weather Group — Includes engine block heater and battery heater		○	○	○
Console — Overhead, includes compass, display for outside temperature, trip computer, and HomeLink® Universal Transceiver			●	●
HomeLink® Universal Transceiver — Programmable, 3-function, remote controls for garage door opener and interior/exterior home lighting and security devices			●	●
Leather and Wheel Group — Includes leather-trimmed seats, leather-wrapped shift knob and steering wheel and 16" aluminum wheels			○	
Map Pockets — Driver's seatback (included with leather seat trim)			P	●
Mirrors				
Interior				
— Automatic dimming day/night rearview			●	●
Moonroof — Power with express-open feature		○	○	○
Seats				
Trim Material				
— Crete Cloth		●	●	
— Royale Leather-trim (included with Leather and Wheel Group)			P	●
Front				
— Buckets with 8-way power driver's seat, reclining seatbacks, driver's manually adjustable lumbar support and adjustable head restraints		●		
— 50/50 split-bench with 8-way power driver's seat, reclining seatbacks, driver's manually adjustable lumbar support and adjustable head restraints		○		

EXTERIOR DIMENSIONS			EXTERIOR DIMENSIONS			SPECIFICATIONS		
	LX	LXi		LX	LXi		LX	LXi
Wheelbase	38.3	38.3	Wheelbase	113.0	113.0	Engine Configuration	2.7L DOHC 24V SMPI V6	3.2L SOHC 24V SMPI V6
Overall Length	37.2	37.2	Overall Length	209.1	209.1	Displacement	167 CID	197 CID
Overall Width	42.2	42.2	Overall Width	74.4	74.4	Compression Ratio	9.7:1	9.5:1
Track — Front	41.6	41.6	Track — Front	62.4	62.4	Bore and Stroke	3.38" x 3.09"	3.62" x 3.19"
Track — Rear	59.1	59.1	Track — Rear	62.0	62.0	Fuel System	Sequential Multipoint Electronic Fuel Injection	Sequential Multipoint Electronic Fuel Injection
Coefficient of Drag (Cd)	58.4	58.4	Coefficient of Drag (Cd)	0.288	0.288	Horsepower (SAE net @ rpm)	200 @ 5,800	225 @ 6,300
Curb Weight (lbs)	56.3	56.3	Curb Weight (lbs)	3,461	3,561	Torque (lb ft @ rpm)	190 @ 4,850	225 @ 3,800
Turning Diameter (ft)	56.8	56.8	Turning Diameter (ft)	37.6	37.6			
Fuel Tank Capacity (gal)	5	5	Fuel Tank Capacity (gal)	17	17			
	6	6						
	107.6	107.6						
	18.7	18.7						

	LX		LXi
	C	D	F
Seats, continued			
Buckets with 8-way power driver and front-passenger seats, reclining seatbacks, driver's manually adjustable lumbar support and adjustable head restraints		●	●
60/50 split-bench with 8-way power driver and front-passenger seats, reclining seatbacks, driver's manually adjustable lumbar support and adjustable head restraints		O	O
Driver and front-passenger 8-way power seats		●	●
Key™ Engine Immobilizer — Theft deterrent system with encoded key. Includes 2 Sentry Keys			●
Knob — Leather-wrapped (included with Leather and Wheel Group)		P	●
Lighter Group — Includes rear ashtrays and front lighter	O	O	O
Audio System			
AM/FM stereo radio with full-logic cassette player and 4 speakers	●		
AM/FM stereo radio with full-logic cassette player, amplifier and 8 speakers in 6 locations		●	
AM/FM stereo radio with combination cassette/CD player, graphic equalizer, amplifier, and 8 speakers in 6 locations	O	O	●
AM/FM stereo radio with cassette, 4-disc in-dash CD changer, graphic equalizer, Infinity Spatial Imaging™ Sound System and 9 speakers in 7 locations			O
Speed-sensitve			●
Leather Wheel — Leather-wrapped (included with Leather and Wheel Group)		P	●
Spare, full-size	O	O	●
Spare, full-size with matching wheel			O
Low-Speed Control — Low-Speed; requires antilock brakes		O	●
Security System — Monitors doors, ignition and trunk key cylinders			●
16" steel with bolt-on wheel covers	●	●	
16" aluminum (included with Leather and Wheel Group)	O	P	●
16" chrome aluminum			O

Legend: P=Available within package noted in parentheses. O=Optional.

We would like to discuss vehicle details or pricing with a knowledgeable advisor before visiting your dealer, call



The Home-Link® Universal Transceiver can activate such devices as a garage door, security gate, home lighting system.



Available top-of-the-line cassette player in combination with a four-disc, in-dash CD changer.

CONCORDE COMES WITH A WHOLE LOT OF COMFORT.

To keep it cool inside, Chrysler engineers specified **solar-control glass** for all windows. The windshield is precisely curved to improve the efficiency of the vehicle-speed-sensitive, variable-intermittent wipers. On Concorde LXi, **automatic temperature control** ensures an ideal all-weather interior comfort level... until those natural seasonal breezes can be invited in through the available vent-and-slide power moonroof. A Vehicle Security System and a **Sentry Key™ Engine Immobilizer** provide comforting security as part of the LXi packaging. Concorde's radio antenna is imbedded in the rear window, and for exquisite listening enjoyment, a top-of-the-line cassette player — with AM/FM stereo radio, four-disc in-dash CD changer and the **Infinity Spatial Imaging™ Sound System** — is available on Concorde LXi (see page 25 for sound system details).

CHRYSLER ACCESSORIES FROM MOPAR can add even more luxury and convenience. See the extensive lineup of Mopar products, from Bike and Ski Carriers to trunk-mounted CD Changers, from Splash Guards to Front-End Covers, at your Chrysler dealer.



A



B



C

A: Concorde LX standard 16-inch bolt-on wheel cover. B: Concorde LXi 16-inch cast aluminum wheel (available on LX). C: Concorde LXi optional chrome aluminum wheel.

Mopar's optional Ski Carrier holds up to four pairs of skis atop Mopar's



CUSTOMER ONE CARE™

At DaimlerChrysler Corporation, our commitment to complete customer satisfaction is evident in every car and minivan we sell. Long after a vehicle is driven away from the showroom, we will be there to ensure that our customers remain pleased with every new-vehicle purchase. To prove this commitment, all Chrysler vehicles are covered by the 3/36 Customer One Care Plan,* which includes a 3-year/36,000-mile (whichever comes first) Bumper-to-Bumper Limited Warranty† and Roadside Assistance‡ for 3 years or 36,000 miles. Roadside Assistance provides 24-hour, 7-day-a-week Emergency Road Service, contacted by a nationwide toll-free number. A 5-year or 100,000-mile Outer-Panel Rust-Through Limited Warranty covers the cost of all parts and labor needed to repair exterior sheet metal panels if perforated by corrosion. The 3/36 Customer One Care Plan stays with the vehicle, transferring automatically to subsequent owners at no cost during the warranty period.

*See your dealer for additional details and a copy of this limited warranty.
 †Covers the complete vehicle against defects in materials and workmanship. Excludes wiper blades, clutch disc and brake linings, brake rotors and drums, normal maintenance items (these items are covered against defects for 12 months or 12,000 miles, whichever comes first) and tires (covered by their own manufacturer's warranty).
 ‡Roadside Assistance services are provided by Cross Country Motor Club, Inc. (In California, Cross Country Motor Club of California, Inc.)

LEASING

Leasing is a popular way to finance a new vehicle, and the **Gold Key Lease** offered by Chrysler Financial Company L.L.C. has the flexibility to fit your vehicle choice and your lifestyle. Lease payments are typically lower and for a shorter term than conventional financing. At lease end, you can: 1) turn the vehicle in and lease a new one; 2) buy the vehicle and keep it; 3) buy the vehicle and sell it for a possible profit. If the idea of driving the vehicle you want and paying less for it sounds great, ask your dealer about Gold Key Lease. **Gold Key Plus** is a great alternative to leasing for customers who want low payments and pride of vehicle ownership — Gold Key Plus offers both. Decide how long the vehicle will be driven and the trade-in value is guaranteed (less excess mileage and wear and tear). Ask your dealer for complete details. **Commercial Finance Options (CFO)** offers several finance and lease options to small and midsize businesses, municipalities and small fleet operators. A full range of automotive financing is available through Chrysler Financial, providing flexible payment plans and finance products for qualified buyers. Many of these plans can be customized to fit your particular budget and make your new vehicle even more affordable. The **College Graduate Program** is especially attractive to those just beginning their careers. Ask your salesperson for details about any of the above plans.

Chrysler Financial Company L.L.C. programs are offered subject to availability and state and local laws.

DAIMLERCHRYSLER SERVICE CONTRACTS

Additional protection for owners is available through optional DaimlerChrysler Service Contracts. These service plans are available in a variety of time and mileage combinations to meet your driving needs. Ask your dealer for more information or call 1-800-442-2666.

All product illustrations, specifications and competitive comparisons are based upon current information at the time of publication approval. Although descriptions are believed correct, complete accuracy cannot be guaranteed. DaimlerChrysler Corporation reserves the right to make changes at any time, without notice or obligation, in prices, specifications, equipment, colors and materials, and to change or discontinue models. Some of the equipment shown or described throughout this catalog is available at extra cost. See your dealer for the latest information.

Maple, Home Sentry Key and Customer One Care are trademarks of DaimlerChrysler. HomeLink is a registered trademark of Johnson Controls, Inc. Infinity Spatial Imaging is a trademark of Infinity Systems, Inc. CATIA is a registered trademark of Dassault Systems.

Always use seat belts. Remember a backseat is the safest place for children.

EXTERIOR COLORS*/INTERIOR COLORS



Bright Silver Metallic
Interior: Agate, Quartz



Champagne Pearl Metallic
Interior: Agate, Camel



Inferno Red Tinted Pearl Coat
Interior: Agate, Camel, Quartz



Steel Blue Pearl Coat
Interior: Agate, Quartz



Dark Garnet Red Pearl Coat
Interior: Agate, Camel, Quartz



Deep Slate Pearl Coat
Interior: Agate, Camel, Quartz



Shale Green Metallic
Interior: Agate, Camel, Quartz



Stone White
Interior: Agate, Camel, Quartz



Light Cypress Green Pearl Coat
Interior: Agate



Cinnamon Glaze Metallic
Interior: Agate, Camel

FABRICS*



Agate Crete Cloth



Camel Royale Leather Trim



*All exterior colors feature a Clear Coat finish.
 † Crete Cloth and Royale Leather trim available in Agate, Camel and Quartz.

CHRYSLER



ENGINEERED TO BE GREAT CARS