

2003 Honda

CIVIC COUPE



SAME SOUL, BUT ONE
YOU CAN ACTUALLY DRIVE

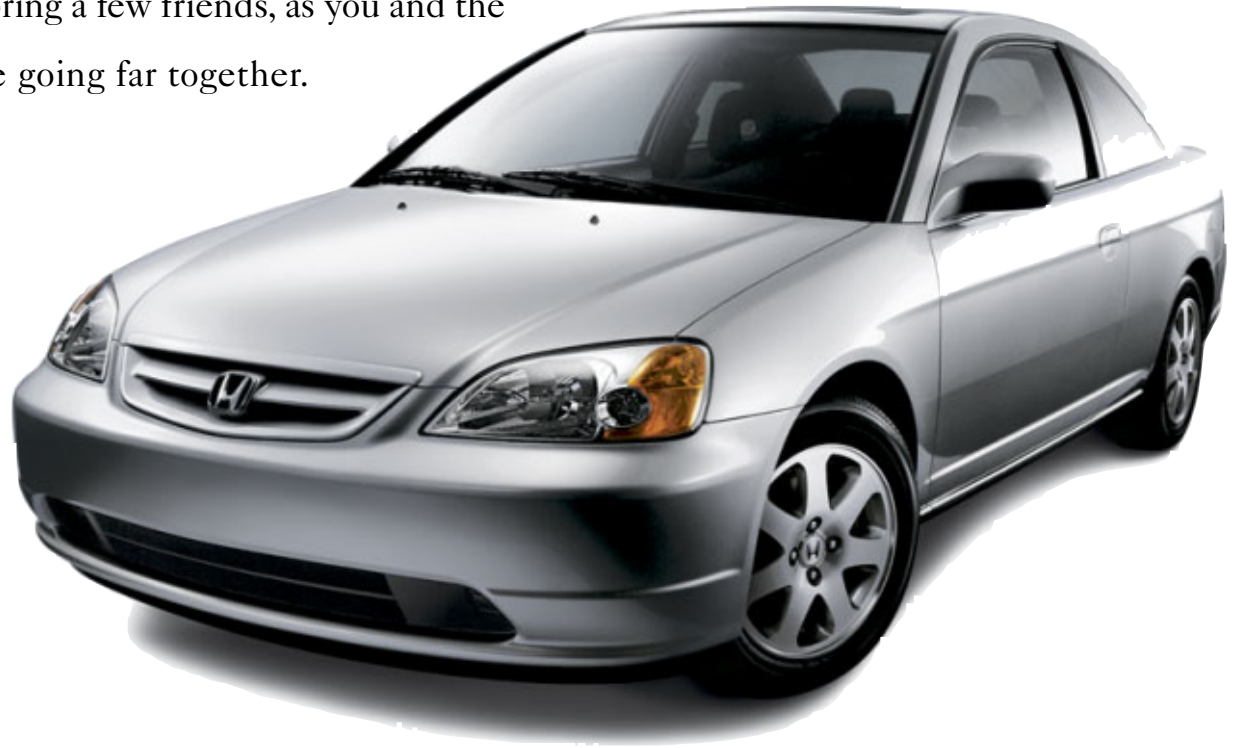
Racing is fun. More important, it's educational, too. It helps us make cars for the street that are great to drive and last a long, long time. Like the 2003 Civic Coupe. This car caters to a **high-energy** lifestyle with its peppy engine,



sharp handling, handsome exterior and stylish interior. Add **no-worries**

reliability and you can just pack up and go whenever.

And don't forget to bring a few friends, as you and the Civic Coupe will be going far together.





Civic EX Coupe shown in Eternal Blue Pearl.

It's about packing more bang for the buck into your life, and the 2003 Civic Coupe deftly achieves that. Its lean body slices through the wind as its **smart new interior** invites you and four others to escape in comfort and sleek style. Under the hood lies a **powerful** engine whose sheer eagerness to please makes the Civic Coupe big **fun to drive**. If corners are your thing, you'll enjoy the thrills its superb 4-wheel independent suspension can provide. And the EX kicks it up even more with its new **sporty alloy wheels**.

Civic DX Coupe

- 115-hp, 1.7-liter, 16-valve, SOHC 4-cylinder aluminum-alloy engine
- 5-speed manual transmission
- Available 4-speed automatic
- 4-wheel independent suspension
- Available front side airbags

Civic HX Coupe

Adds to or replaces DX features:

- 117-hp VTEC-E lean-burn engine
- Available continuously variable transmission (CVT)
- AM/FM/CD audio system
- 14-inch alloy wheels
- Power door locks and mirrors

Civic LX Coupe

Adds to or replaces DX features:

- Air conditioning
- Power windows with auto-down driver's window
- Power door locks and mirrors
- AM/FM/CD audio system
- Center console with armrest and storage

Civic EX Coupe

Adds to or replaces LX features:

- 127-hp VTEC engine
- Anti-lock braking system (ABS)
- Power moonroof with tilt feature
- Remote entry system
- 15-inch alloy wheels

IT MAKES EVERY ROAD COME ALIVE

Every drive will be a sizzling treat in your Civic Coupe. Its powerful engine is quick, yet robust and miserly on fuel. Advanced engineering such as VTEC (variable valve timing and lift electronic control) and direct ignition assist the cause and help broaden the power. HX's lean-burn engine is a role model of fuel efficiency, and as for cleaner air, every Civic Coupe is certified as an Ultra-Low-Emission Vehicle (ULEV). Combine that with a great ride and excellent handling and it would appear that, with Civic Coupe, you certainly can have it all.



Spicy.

Those who like bland need not apply. Because the Civic Coupe will satisfy your hunger for fast engine response and hot, corner-hugging handling. It's totally at home dealing with city traffic, is a cinch to park and absolutely loves the challenge of a good set of curves.

Civic EX Coupe shown in Rallye Red.



Civic HX Coupe shown in Satin Silver Metallic.

*ONCE IT GRABS THE ROAD,
IT WON'T LET GO*



Civic LX Coupe shown in Rallye Red.

Power out of thin air. Its single overhead camshaft (SOHC) aluminum-alloy head is of a **4-valve-per-cylinder** design that loves taking a good, deep breath. This lets it flow more air and fuel than a 2-valve design for a significant increase in engine power and efficiency.

There's elegance in the details.

We drew upon our vast engine-building experience to create Civic powerplants that optimize performance and efficiency. The **pistons are cast of aluminum**, meaning they're lighter so the engine can rev faster. And the steel connecting rods are forged to make them stronger, so the engine can tirelessly rev higher.

VTEC steps in to take charge. VTEC switches between **two different camshaft lobes** to manage air/fuel flow. This helps the HX Coupe's VTEC-E system increase fuel economy. And in the EX, its **VTEC** broadens the powerband.



PLEASE RESIST THE IMPULSE TO STAND AND APPLAUD. The Civic Coupe's performance is testament to Honda engineers' ability to create more with less. Our engines are responsive yet economical. Some use VTEC to increase power or fuel efficiency, and all can go **110,000 miles** before their first scheduled tune-up.* And there's a choice of refined transmissions—a quick-shifting 5-speed manual, a sophisticated 4-speed automatic and a **CVT** continuously variable transmission that combines performance with convenience.

*Does not apply to fluid and filter changes. See owner's manual for details.

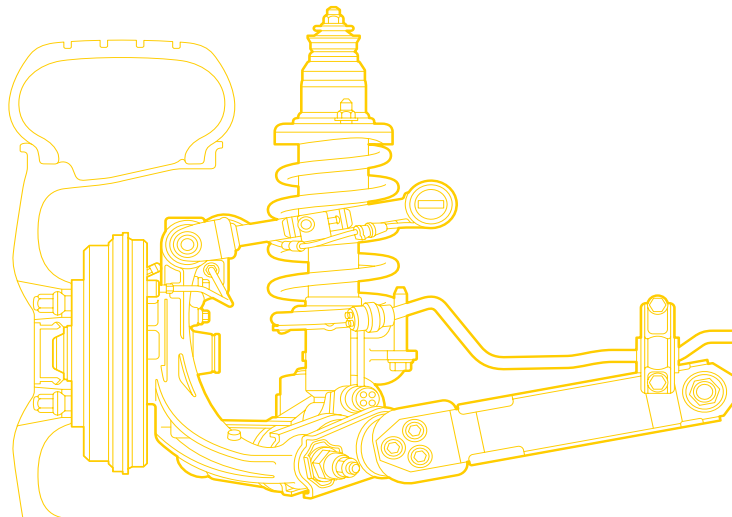
Made strong to last long. Every Civic Coupe is fitted with an incredibly strong **forged-steel crankshaft**. This helps reduce crankshaft flex and, in turn, reduces engine vibration for a quieter, more comfortable cabin. It also provides increased durability for the long run, a feature you're sure to appreciate as you drive your Civic Coupe for years to come.

The best is hidden away. Under the Civic Coupe's swoopy hood is the heart of a racer. Its **aluminum-alloy engine block** and cylinder head form a rigid core that, along with the other **advanced engineering** features, works to pump out lots of power. Aluminum also helps make the car lighter for even better acceleration, handling and braking.



HONDA ENGINEERS SPEND A LOT OF TIME DAYDREAMING. That's how Civic Coupe's advanced technology got its start. In a flash of inspiration—after long, hard years of research and gaining experience. That's why every Civic is a masterpiece of power, fuel efficiency¹ and cleaner living with its **ULEV** rating. The HX extends this idea further with its VTEC-E and special “lean-burn” technology, and EX uses its VTEC to crank out 127 hp. And to make sure power is properly managed, the available 4-speed automatic transmission uses **Grade Logic Control** to reduce gear hunting when going up and down hills.

Tackle corners like a pro. You'll be up to speed in no time with Civic Coupe's **4-wheel independent suspension.** It uses MacPherson struts up front and a twin-link double wishbone design in the rear to deliver superb handling with a smooth ride. Plus, it's compact enough to allow expansive interior room.



Civic Coupe's rigid body not only cradles the powertrain, it resists twisting and bending to help make the cabin a quieter place to be. And its unyielding nature also lets the 4-wheel independent suspension hold Civic in turns like a slot car. Its outstanding handling and road



We're quite adept at blistering tracks.

In the world of professional motorsports, Honda is a key force to be reckoned with. Its proud heritage spans **four decades of racing.** Honda uses racing as a test bed for new technologies and materials. It's also a great **training ground** that lets our engineers gain valuable experience and develop new ways to improve every Honda vehicle.

manners are further refined by smooth variable-assist power rack-and-pinion steering that keeps you right on track. And front and rear stabilizer bars (LX and EX) help flatten the corners.

YOUR BASES ARE COVERED



Civic EX Coupe shown in Shoreline Mist Metallic.

AT THE TOP OF ITS GAME. The Civic Coupe is the only car in its class that achieves the government's highest impact safety rating—**quadruple five-star** protection in frontal and side impacts.* Its ultra-strong body has built-in front and rear crush zones that help absorb impact energy. Side-impact door beams help prevent cabin intrusion in a lateral impact. Inside, there are 3-point seat belts at all seating positions. The front belts have pretensioners to help hold you securely in a sufficient impact, and load limiters to help reduce injuries. Civic Coupe has LATCH (Lower Anchors and Tethers for Children) for compatible child seats. An **Immobilizer Theft-Deterrent System** helps ease your mind. And the EX comes with ABS to help retain steering control when braking hard.

In addition to its very rigid—and extensively tested—body structure, Civic Coupe gives you dual-stage, dual-threshold front airbags (SRS)† They can deploy at one of two rates and thresholds, depending upon



impact severity and seat-belt use. The available front side airbags are designed to help provide added protection in case a moderate-to-severe side impact should occur.



*National Highway Traffic Safety Administration frontal crash test: October 2000; side crash test: November 2000.

†Honda reminds you and your passengers to always buckle up.

FITS YOU LIKE
A GOOD PAIR OF JEANS



Civic EX Coupe interior shown in Black.

Slip behind the wheel and you're surrounded by a highly functional and ergonomic showcase of style with backlit gauges and perfectly placed controls. They're just some of the delights that await you in this roomy, well-appointed interior with comfortable seating for five.

Sporty.



Blessed with good taste. Its bright, sculpted interior fairly crackles with energy as **silver styling accents** run throughout. And the controls, such as the shift lever and the HX, LX and EX's easy-to-adjust steering wheel-mounted **cruise control** system, are exactly where they should be for easy access.

The Civic Coupe's fresh new interior plays up comfort and convenience in equal measure. The handsome center console, door-pocket bins and 60/40 split fold-down rear seatback add real versatility and space for storage. Beverage holders and a 12-volt accessory outlet stand ready to serve. A pair of vanity mirrors, an adjustable



Cool cabin, hot tunes. Flat-out comfort is the idea behind the LX and EX Coupe's **air-conditioning** system with air filtration (accessory on DX and HX). Sweet-sounding audio comes standard on every Civic Coupe. And on the HX, LX and EX, that means an **AM/FM/CD** audio system, plus the EX gets 6 speakers.



steering column, a rear window defroster and a headlights-on reminder add to your ease. And EX's power moonroof is great for a blast of fresh air.

For decades, Honda has been a leader and an **innovator** in developing environmentally conscious technology. From the pioneering stratified-charge CVCC engines of the 1970s to our current designs, concern for the Earth has always been a top priority. So it's no surprise that for 2003, every Honda meets or surpasses federal **LEV** (Low-Emission Vehicle) standards, including the truly inspiring 240-hp Honda S2000 roadster. And every new Civic Coupe has an even-cleaner **ULEV** (Ultra-Low-Emission Vehicle) rating. Which proves that, with Honda, driving a responsible car doesn't have to be boring.



Civic EX Coupe shown in Nighthawk Black Pearl with accessory 15" 15-spoke alloy wheels and rear wing spoiler.

Specifications and Features

Engineering	DX	HX	LX	EX
Engine Type	In-Line 4	In-Line 4	In-Line 4	In-Line 4
Engine Block/Cylinder Head	Aluminum-Alloy	Aluminum-Alloy	Aluminum-Alloy	Aluminum-Alloy
Displacement (cc)	1668	1668	1668	1668
Horsepower @ rpm (SAE net)	115 @ 6100	117 @ 6100	115 @ 6100	127 @ 6300
Torque (lb.-ft. @ rpm)	110 @ 4500	111 @ 4500	110 @ 4500	114 @ 4800
Compression Ratio	9.5:1	9.9:1	9.5:1	9.9:1
Valve Train	16-Valve SOHC	16-Valve SOHC VTEC®-E	16-Valve SOHC	16-Valve SOHC VTEC
Multi-Point Fuel Injection	•	•	•	•
Emissions Rating	ULEV	ULEV	ULEV	ULEV
Direct Ignition System with Immobilizer	•	Lean-Burn	•	•
110,000-Mile Tune-Up Interval*	•	•	•	•
Transmission				
5-Speed Manual Transmission	•	•	•	•
4-Speed Automatic Transmission (available)	•	•	•	•
Continuously Variable Transmission (CVT)		•		
Body/Suspension/Chassis				
Unit-Body Construction	•	•	•	•
Control-Link MacPherson Strut Front Suspension	•	•	•	•
Reactive-Link Double Wishbone Rear Suspension	•	•	•	•
Stabilizer Bar (mm, front/rear)			15.9/12.0	15.9/12.0
Power-Assisted Rack-and-Pinion Steering	•	•	•	•
Turning Diameter, Curb-to-Curb (ft.)	34.1	34.1	34.1	34.1
Power-Assisted Ventilated Front Disc/Rear Drum Brakes (in., front/rear)	10.3/7.8	10.3/7.8	10.3/7.8	10.3/7.8
Anti-Lock Braking System (ABS)				•
Wheels	14" w/Full Covers	14" Alloy	14" w/Full Covers	15" Alloy
All-Season Tires	P185/70 R14 87S	P185/70 R14 87S	P185/70 R14 87S	P185/65 R15 86H
Interior Measurements				
Headroom (in., front/rear)	39.0/35.4	39.0/35.4	39.0/35.4	36.9/35.0
Legroom (in., front/rear)	42.5/32.8	42.5/32.8	42.5/32.8	42.5/32.8
Shoulder Room (in., front/rear)	52.8/52.6	52.8/52.6	52.8/52.6	52.8/52.6
Hiproom (in., front/rear)	50.2/46.7	50.2/46.7	50.2/46.7	50.2/46.7
Cargo Volume (cu. ft.)	12.9	12.9	12.9	12.9
Passenger Volume (cu. ft.)	85.9	85.9	85.9	83.0
Exterior Measurements				
Wheelbase (in.)	103.1	103.1	103.1	103.1
Length (in.)	174.7	174.7	174.7	174.7
Height (in.)	55.1	55.1	55.1	55.1
Width (in.)	66.7	66.7	66.7	66.7
Track (in., front/rear)	57.9/57.9	57.9/57.9	57.9/57.9	57.9/57.9
Curb Weight (lbs., MT/AT)	2402/2452	2436/2507	2474/2507	2554/2594
EPA Mileage Estimates/Fuel Capacity				
5-Speed Manual (City/Highway)	32/38	36/44	32/38	32/38
4-Speed Automatic (City/Highway)	29/38		29/38	30/38
CVT (City/Highway)		35/40		
Fuel (gal.)	13.2	13.2	13.2	13.2
Required Fuel	Regular Unleaded	Regular Unleaded	Regular Unleaded	Regular Unleaded
Exterior Features				
Power Moonroof with Tilt Feature				•
Integrated Rear-Window Antenna	•	•	•	•
Remote Entry System		Accessory	Accessory	•
Dual Manual Remote-Operated Mirrors	•			
Dual Power Mirrors		•	•	Body-Colored
2-Speed/Intermittent Windshield Wipers	•	•	•	
Variable Intermittent Windshield Wipers				•
Impact-Absorbing Body-Colored Bumpers	•	•	•	•
Multi-Reflector Halogen Headlights	•	•	•	•
Tinted Glass	•	•	•	•
Body-Colored Door Handles			•	•
Trunk Garnish	•	•	Body-Colored	Body-Colored

Comfort & Convenience	DX	HX	LX	EX
Air Conditioning with Air-Filtration System	Accessory	Accessory	•	•
Power Windows with Illuminated Auto-Down Driver's Window Switch			•	•
Power Door Locks		•	•	•
Cruise Control		•	•	•
Beverage Holders	Front	Front	Front w/Lid	Front w/Lid and Rear
Center Console with Armrest and Storage Compartment			•	•
Door-Pocket Storage Bins	•	•	•	•
Passenger-Side Seatback Pocket		•	•	•
Adjustable Steering Column	•	•	•	•
Remote Fuel Filler Door Release	•	•	•	•
Remote Trunk Release with Lock	•	•	•	•
Headlights-On Reminder	•	•	•	•
Driver's and Front Passenger's Vanity Mirrors	•	•	•	•
Map Lights			•	•
Driver's Footrest	•	•	•	•
12-Volt Accessory Outlet	•	•	•	•
Rear Window Defroster with Timer	•	•	•	•
Cargo Area Light	•	•	•	•
Cargo Net	Accessory	Accessory	Accessory	•
Seating				
Driver's Seat with Manual Height Adjustment			•	•
Reclining Front Seatbacks	•	•	•	•
Adjustable Head Restraints, Front and Rear	•	•	•	•
60/40 Split Fold-Down Rear Seatback with Lock	•	•	•	•
Passenger-Side Walk-In Feature		•	with Memory	with Memory
Audio System				
AM/FM Audio System with 4 Speakers and Clock	•			
AM/FM/CD Audio System with 4 Speakers and Clock		•	•	
AM/FM/CD Audio System with 6 Speakers and Clock				•
Instrumentation				
Backlit Instrument Panel		•	•	•
Tachometer		•	•	•
Digital Odometer and Digital Trip Meters (2)	•	•	•	•
Fuel and Coolant Temperature Gauges	•	•	•	•
Door-/Trunk-Open Indicator Light	•	•	•	•
Low-Fuel and Low-Oil-Pressure Indicator Lights	•	•	•	•
Maintenance Interval Indicator	•	•	•	•
Illuminated Ignition Switch				•
Safety				
3-Point Seat Belts at All Seating Positions	•	•	•	•
Front 3-Point Seat Belts with Automatic Tensioning System	•	•	•	•
Dual-Stage Front Airbags (SRS)	•	•	•	•
Front Side Airbags with Passenger-Side Occupant Position Detection System (OPDS)	Available	Available	Available	Available
Side-Impact Door Beams	•	•	•	•
Lower Anchors and Tethers for Children (LATCH)	•	•	•	•
Immobilizer Theft-Deterrent System	•	•	•	•
Emergency Trunk Opener	•	•	•	•

*Does not apply to fluid and filter changes. See your owner's manual for details.

¹DX, LX and EX models based on 2003 EPA mileage estimates. HX based on 2002 EPA mileage estimates, as final 2003 HX EPA mileage estimates were not available at the time of printing. Use for comparison purposes only. Actual mileage may vary. **3-Year/36,000-Mile Limited Warranty:** Ordinary maintenance or adjustments, parts subject to normal wear and replacement, and certain items are excluded. See your Honda dealer for terms and conditions of this limited warranty. **Always use seat belts and appropriate child seats. Children are safest in the rear seat.** Specifications, features, illustrations and equipment shown in this brochure are based upon the latest available information at the time of printing. Although descriptions are believed to be correct, accuracy cannot be guaranteed. American Honda Motor Co., Inc., reserves the right to make changes at any time, without notice or obligation, in colors, specifications, accessories, materials and models. Some features mentioned herein are not available in all areas. See your Honda dealer for details. Some vehicles may be shown with optional equipment. Available=Optional. Honda, the H-mark symbol, Honda Care and VTEC are trademarks of Honda Motor Co., Ltd. ©2002 American Honda Motor Co., Inc.



Customize your Civic. Your Civic Coupe can be a reflection of your unique personality with items from our roster of fine quality accessories. Just some of the ways you can enhance your car appear below—see your dealer for all the details.

Available accessories:

- Air Conditioning
- CD Changers
- CD Player
- Remote Entry System
- Security System
- Aero Kit
- Rear Wing Spoiler
- Cargo Net
- All-Season Floor Mats
- Body Side Molding
- Splash Guards

HONDA Whether you
 Financial Services buy or lease a
 Honda, **Honda Financial Services**
 can assist you with the process. Ask
 your dealer which lease or purchase plan
 best suits your needs.

HONDA **Honda Care™** is
 Care a comprehensive
 and affordable
 vehicle and travel protection plan that is
 backed by Honda reliability, service and
 parts. See your dealer for details.



Civic EX Coupe shown in Satin Silver Metallic.



Accord Sedan



Civic Sedan



Civic Hybrid



S2000



Accord Coupe



Civic Si



Insight



Element (Winter 2002; prototype shown.)



CR-V



Pilot



Odyssey