

Audi Truth in Engineering

allroad

Note: A word about this brochure. Audi of America, Inc., believes the specifications in this brochure to be correct at the time of printing. However, specifications, standard equipment, options, fabrics, and colors are subject to change without notice. Some equipment may be unavailable when your vehicle is built. Please ask your dealer for advice concerning current availability of standard and optional equipment, and your dealer will verify that your vehicle will include the equipment you ordered. Vehicles in this brochure are shown with optional equipment. See your dealer for complete details on the New Vehicle Limited Warranty, twelve-year limited warranty against corrosion perforation, and Audi 24/7 Roadside Assistance. (Roadside assistance coverage provided by Road America in the U.S. Certain conditions apply; see your dealer for details.) Tires supplied by various manufacturers. "Audi," all model names, "Audi connect," "MMI," "quattro," "Sideguard," "Singleframe" and the Singleframe grille design, "TFSI," "Truth in Engineering," and the four rings logo are trademarks or registered trademarks of AUDI AG. "Bang & Olufsen" is a registered trademark of Bang & Olufsen. The BLUETOOTH word mark and logos are owned by the Bluetooth SIG, Inc., and use of any such marks by AUDI AG is under license. "GOOGLE," "Google Earth" and "Google Maps Street View" are trademarks of Google Inc. "HD Radio" and the HD Radio logo are proprietary trademarks of iBiquity Digital Corporation. "HomeLink" is a registered trademark of Johnson Controls Technology Company. "iPod" is a registered trademark of Apple, Inc. "SiriusXM" and all related marks and logos are trademarks of SiriusXM Radio Inc. and its subsidiaries. "Tiptronic" is a registered trademark of Dr. Ing h.c. F. Porsche AG. All other trademarks are the property of their respective owners. Some European models shown.

2013 | allroad

Audi of America
Audiusa.com
Facebook.com/Audi

AoA1313371

© 2012 Audi of America, Inc. Printed in the U.S.A.

allroad



Audi Truth in Engineering 

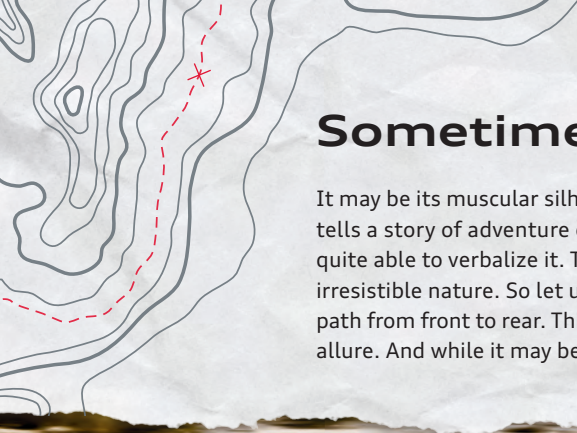
Four seasons are nowhere near enough.

With so many recreational opportunities afforded by the Audi allroad®, it doesn't take an advanced degree in mathematics to figure out that the conventional four-season way of thinking just won't do. No, with allroad, when the four-season calendar ends, your journey will just begin. Luckily for you, you'll have the benefit of an increased ride height, widened track, surefooted Audi quattro® all-wheel drive, and a potent yet efficient 2.0-liter Audi TFSI® engine, all at your beck and call! And just because you may plan on roughing it when you reach your destination doesn't mean you and your passengers can't indulge in a little opulence on the way. In the end, there can be only one allroad, but the seasonal doors it opens border on infinite.





Sometimes beauty can be hard to pin down.



It may be its muscular silhouette that first captures your imagination, or maybe it's the way its increased ride height tells a story of adventure off the beaten path. Whatever it is, you know there's something there, even if you're not quite able to verbalize it. That's why you could stare at the Audi allroad® for hours and still not fully comprehend its irresistible nature. So let us offer some insight. Something we call the Tornado line draws your eyes along a flowing path from front to rear. This line, combined with the flared fenders and robust aluminum roof rails, adds to its evasive allure. And while it may be difficult to capture, its beauty is worth a deeper look.

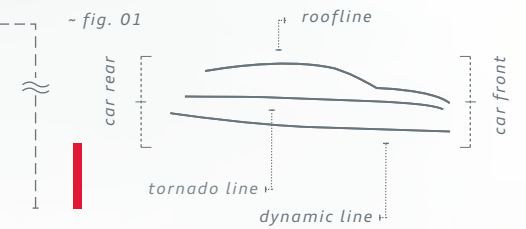
.01 – Electronic Stability Control


Detecting loss of traction almost immediately, ESC helps you stay pointed in your intended direction by automatically adjusting the throttle and brakes. And when activated, the off-road mode can sense changes in terrain, and varies ESC assistance to help optimize control.

.02 – Design Lines

Design that delivers both charm and energy is a design with character. From its driver-centric cabin to the signature flow of its Roofline, the Audi allroad is unmistakably characterized by pure, passionate style.

~ fig. 01



A detailed view of the Audi allroad Premium plus interior, showing the leather-upholstered steering wheel with the Audi logo, the instrument cluster with analog gauges, the center console with wood trim, and the gear shifter. The interior is finished in Titanium Gray leather with Fine Grain Ash Natural Brown Wood decorative inlays.

In here, roughing it feels more like a day at the spa.

Conventional wisdom would dispel any notion that a trek into the wilderness could equate to being pampered. Then came Audi allroad®, where you'll never be asked to choose between becoming one with nature and immersing oneself in exquisite luxury. Just imagine settling in on the supple leather-appointed seating surfaces. From this comforting position, you'll notice how the simple, intuitive controls are all within an easy arm's reach, and the available Fine Grain Ash Natural Brown Wood decorative inlays establish a serene, Zen-like atmosphere.

.03 – *Cavernous Interior*

With the convenience of an available power tailgate, up to 50.5 cu ft of cargo capacity and split folding 60/40 rear seatbacks, the question of bringing more luggage or more toys has been answered. Bring more of both.¹



quattro

It's a bond between your car and the road.

It's true that while the Audi quattro® all-wheel drive may have been engineered to help drive through inclement weather and in low-traction situations, the real magic of this advanced system is how it performs in the dry. Power is distributed to all four wheels working in concert to help grip every corner while giving you the optimal amount of power delivery where and when it's needed. In other words, quattro® helps enhance performance by appropriately transferring power to the necessary wheels when accelerating and turning, so you have confidence-inspiring performance when the road isn't at its best. Inclement weather aside, the really gripping story about quattro® is how it performs overall, forging a sure bond between you, your Audi allroad® and the road.¹

Confidence-inspiring

Under ideal conditions, power is 40:60 rear-wheel-biased to help maximize acceleration and cornering, but the instant conditions become more challenging, the ratio is optimized for superior grip and control.

Torque split

When accelerating out of a turn, up to 80% of the power is mechanically shifted to the rear wheels, where it's best allocated to propel the vehicle to your desired speed and onto the straightaway. Once traveling in a straight line again, the 40:60 power distribution that quattro® delivers to the front and rear wheels, respectively, gives you maximum torque to push onward.

Torque vectoring

It's a handling feature that seems to respond to your impulses before your steering input. An evolution of cross-axle lock, this system works within quattro®, while utilizing ESC and ABS to help sense traction loss from the inside cornering tire.

¹ When driving during cold, rainy, snowy or icy weather conditions, ensure that your vehicle is equipped with appropriate all-season or winter-weather tires. Even with appropriate tires, you must always drive in a manner appropriate for the weather, visibility and road conditions.

Outfitted to ensure that every road is fair game.

At Audi, we don't just make beautiful cars. We make them with purpose. And when you consider the ultimate purpose of the Audi allroad®, it should come as no surprise that it's equipped with rugged features that even the most hardened adventurer can appreciate. But not every day will be spent exploring long-forgotten roads. That's why these features are meant to be just as striking in an urban landscape as they are useful on an extended ski trip.



1. Roof rails

With the standard raised aluminum roof rails, the possibilities for multiple activities open up. Whether your trip calls for a ski carrier, a bike carrier, or a luggage carrier, there's an attachment for it!

2. Underbody protection

Stainless steel underbody protection not only helps serve as a barrier between your allroad and errant rocks, but adds to its timeless, artistic beauty.

3. Specialized tires

With an increase in tire sidewall height, the allroad has the perfect combination of useful ground clearance and impressive, all-terrain capability.

4. Ride height

Obstacles to your journey can be overcome easily with the increased ride height. With over seven inches of ground clearance, there's more than enough to help get you out there and back.

5. Cladding

Just in case anyone was unsure about this vehicle's capability, the allroad features robust exterior cladding, making its intentions clear. And with an available full-paint finish, its refinement is just as apparent.

2013 Audi allroad Premium plus shown in Glacier White metallic with optional full-paint finish.

1 All roof-rack system attachment accessories require the base carrier bars. All sold separately.



Everyday roads don't have to feel ordinary

Just because you've driven a stretch of pavement a thousand times doesn't mean it can't still get your heart racing. The available Audi drive select helps give you the power to turn even the most mundane roads into an exceptional driving experience. Each setting tailors the three main components of the vehicle to meet your specific demands. No matter if you choose Dynamic mode for sheer thrills, Comfort mode for pure indulgence, or Individual mode for the ultimate personal expression of performance, the reign of the repetitive road is over.



- Comfort mode

Perfect for less-than-perfect roads, this setting adds optimized steering and a closer shift pattern to help provide a more relaxed drive.

- Dynamic mode

More precise steering and a more responsive throttle give this setting an aggressive feel and focused performance.

- Auto mode

The best of both worlds, dialed to automatically adjust settings for a seamless combination of comfort and responsiveness based on your driving style and road conditions.

- Individual mode

Take the turn your way—this mode allows you to adjust the steering, throttle and transmission upshifts to your style.



Comfort



Dynamic



Auto



Individual

transmission

steering

engine

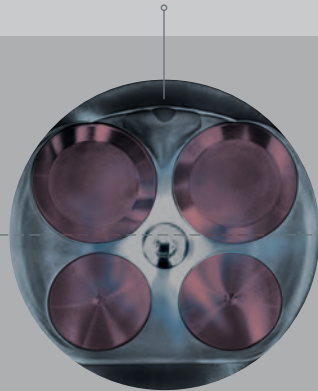
We've resolved to lose the extra weight.

It's fairly simple to explain. Since we've exploited lightweight technology, excessive horsepower is a thing of the past. We're building lighter engines that not only allow for better performance, but also an increase in fuel economy. The four-cylinder 2.0-liter Audi TFSI® engine that produces 211 hp and an impressive 258 lb-ft of torque with its direct injection and efficient turbocharging technology is leading the way.¹ The combination of a lightweight engine and the wide spread of the gear ratios makes for an exhilarating driving experience at every turn.

.04 - 2.0 Turbocharged Four-cylinder

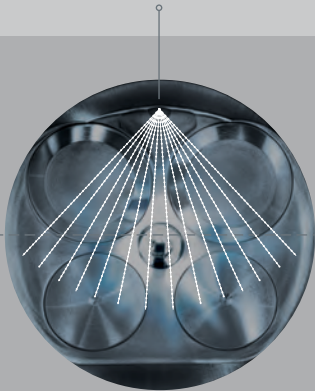
Years ahead of the competition, this 2.0-liter turbocharged DOHC engine combines the Audi valve-lift system, variable valve timing, TFSI direct injection and turbocharging for more power and greater efficiency.

Compressing the air flow to the engine allows more air into the cylinder and, ultimately, more power from each ignition, significantly improving the engine's power-to-displacement ratio.



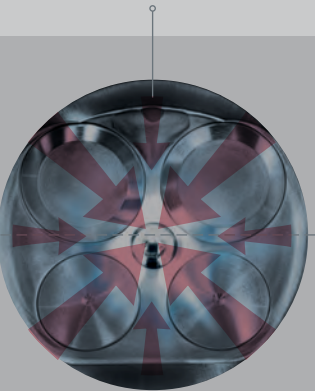
Four valves per cylinder

Audi TFSI direct injection helps cut down on waste and increase power by delivering a precise amount of fuel directly into the engine cylinder, helping to ensure a more complete combustion.



211 hp / 258 lb-ft of torque

With higher compression ratios and cylinder pressure, the Audi TFSI engine fully atomizes fuel and helps optimize boost response.



Compression ratio 9.6:1

The combination of these advanced technologies allows Audi to use a smaller, more efficient engine that still achieves excellent power and performance results.



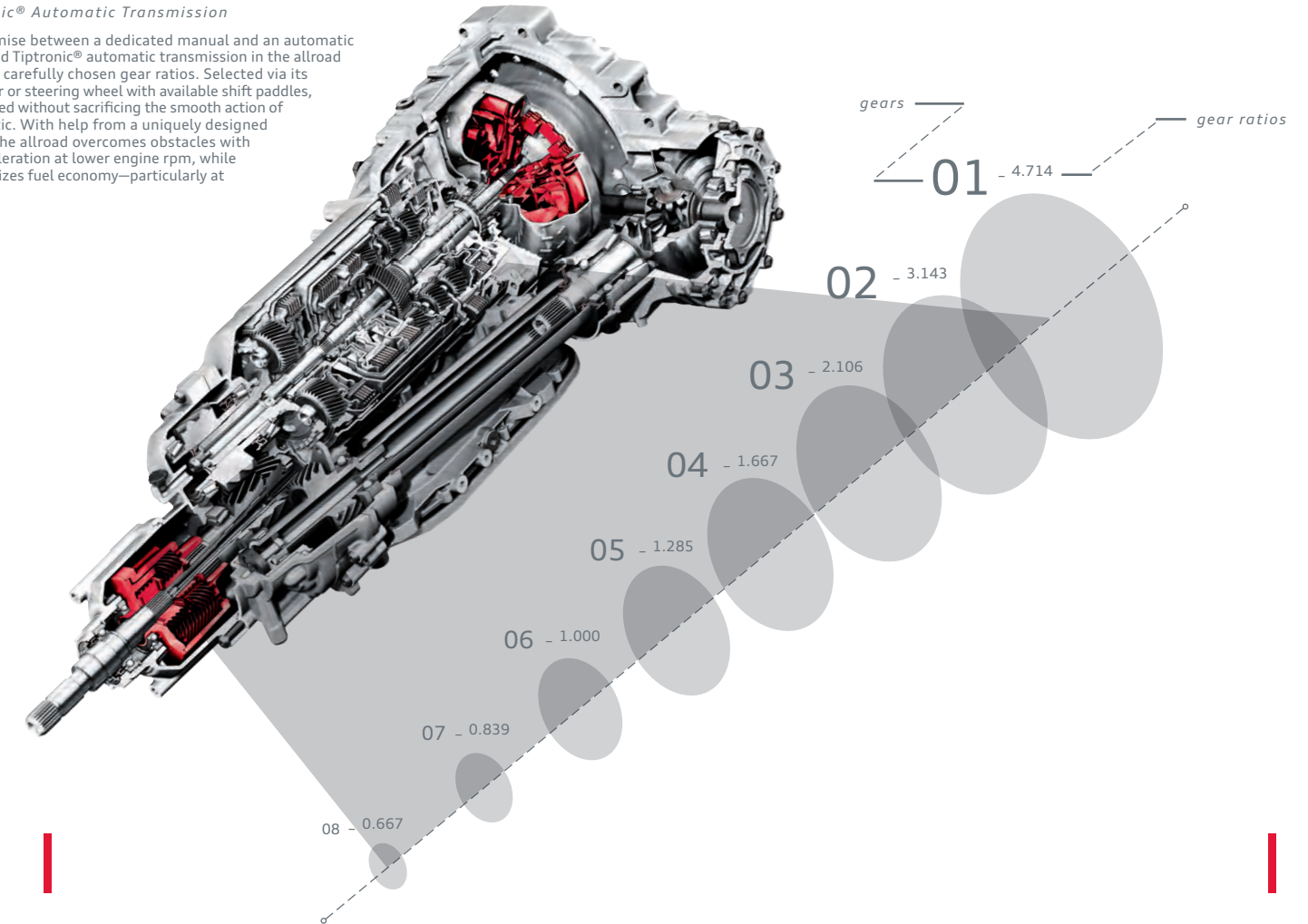
0 - 60 mph in 6.5 seconds

Stay tuned for a dynamic transmission.

Many drivers mistakenly blame their engines for poor acceleration, when it's actually the transmission that isn't rising to the occasion. The Audi allroad eliminates the problem with a revolutionary transmission. By utilizing optimized gear ratios, the eight-speed Tiptronic® automatic transmission is capable of delivering engine power in the most responsive and efficient way possible, all while allowing the driver to command upshifts or downshifts through the available steering wheel-mounted shift paddles. Basically, it's the type of transmission one would expect from Audi.

.05 - Eight-speed Tiptronic® Automatic Transmission

As the perfect compromise between a dedicated manual and an automatic gearbox, the eight-speed Tiptronic® automatic transmission in the allroad offers eight optimized, carefully chosen gear ratios. Selected via its console-mounted shifter or steering wheel with available shift paddles, precise shifts are delivered without sacrificing the smooth action of the Tiptronic® automatic. With help from a uniquely designed lower final gear ratio, the allroad overcomes obstacles with greater power and acceleration at lower engine rpm, while its upper range emphasizes fuel economy—particularly at highway speeds.¹



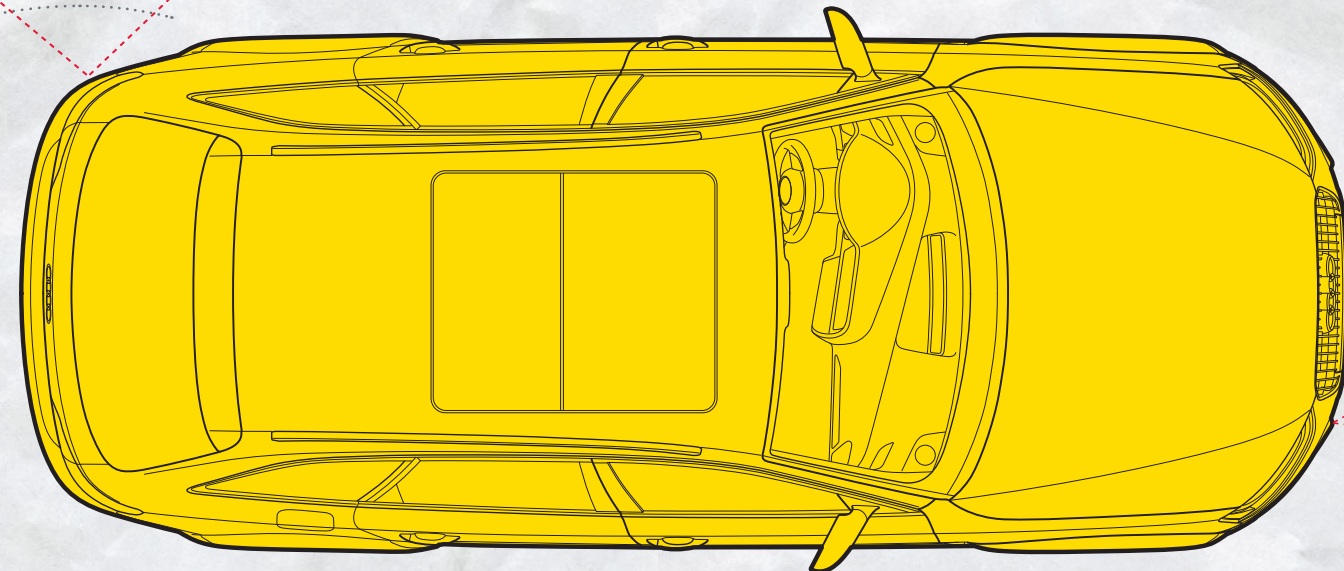
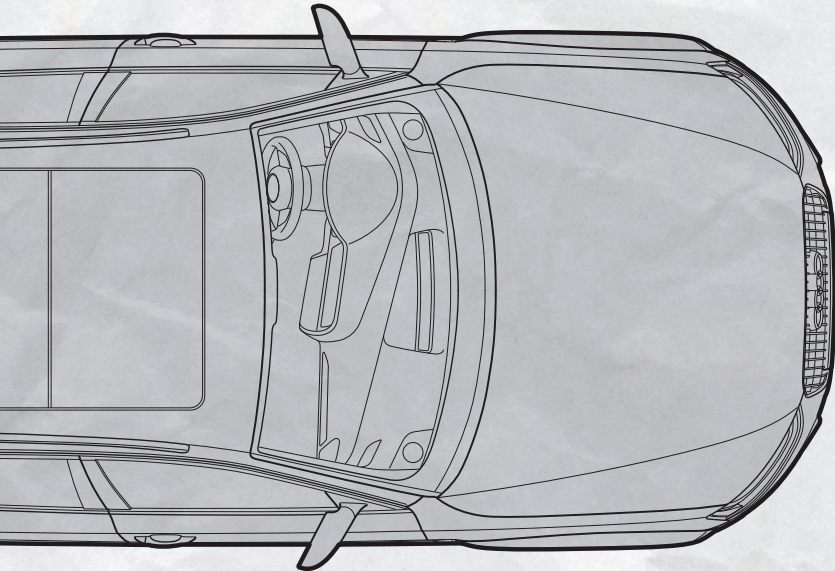
¹ 20 city/27 highway mpg (2013 Audi allroad® 2.0T, with eight-speed Tiptronic® automatic transmission and Audi quattro® all-wheel drive). EPA estimates. Your mileage will vary.

Anticipating needs you didn't know you had.

Available driver-assistance technologies take into account the actions of other drivers—while making your drive a little easier. From seemingly sentient Audi adaptive cruise control to Audi side assist, the Audi allroad® has incorporated innovative, anticipatory technologies that don't see your future so much as help change it.

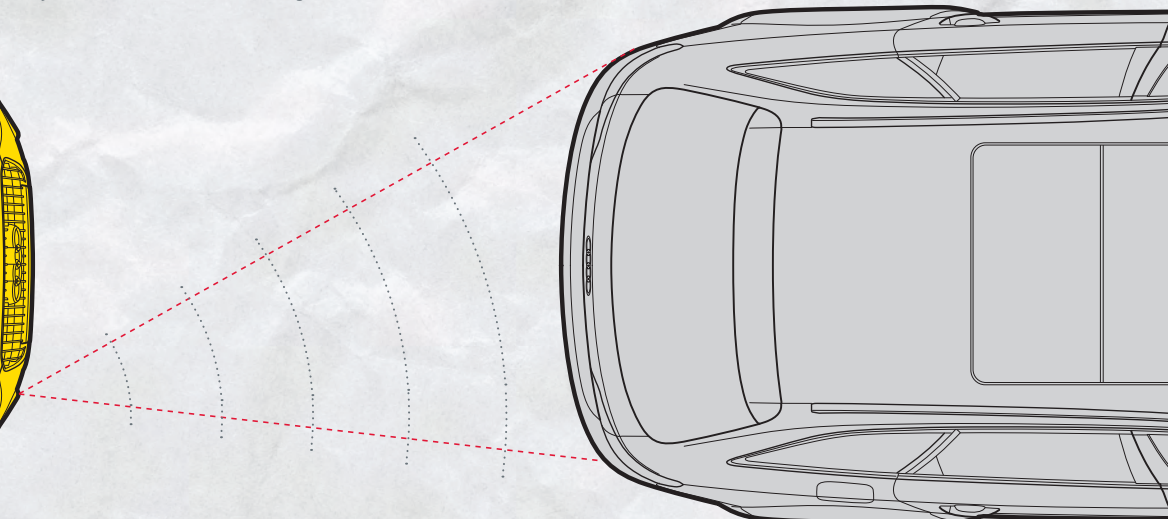
.06 – Audi Side Assist

The available Audi side assist uses radar sensors and two different optical warnings to help keep the driver informed of what is approaching from hard-to-see angles behind and to the side of the vehicle.



.07 – Audi Adaptive Cruise Control

Everyone has their own comfort zone. The available Audi adaptive cruise control helps maintain a driver-selected distance from the vehicle in front using a special long-range radar sensor. The system constantly measures the space between your vehicle and the vehicle ahead and helps maintain it by automatically adjusting your speed. Once the road ahead is clear, the vehicle effortlessly resumes the previously preset speed, helping to make your drive that much more relaxing.



The functional equivalent of installing a brain in your car.

Nothing in the Audi allroad® was built in isolation. What we mean is that design, engineering and technology were conceived as a seamless whole, that they are all integrated and functional. You can see that philosophy fully represented in the available Audi MMI® system. Simply put, it's an intuitive system that intimately connects you to almost every facet of the vehicle. It's the nerve center of your vehicle, allowing you to control virtually every interior function of your allroad with a simplified source control button system. From the Audi MMI Navigation plus, to the radio, to media, the MMI helps you access information with a few easy clicks. You can even pair your compatible BLUETOOTH® enabled phone with the system for added convenience. We think of these things so you can think about how good your drive feels.

.08 - Function Buttons

Helping you navigate through the MMI system with ease are four well-placed function buttons. Each button correlates to a command at the corner of the screen, and, when pressed, takes you to your desired selection.

.09 - Audi MMI Navigation plus

Count on the available advanced navigation system to home in on your destination with stunning precision while putting a little more depth in your journey with help from Google Earth™.¹

.10 - SiriusXM Satellite Radio

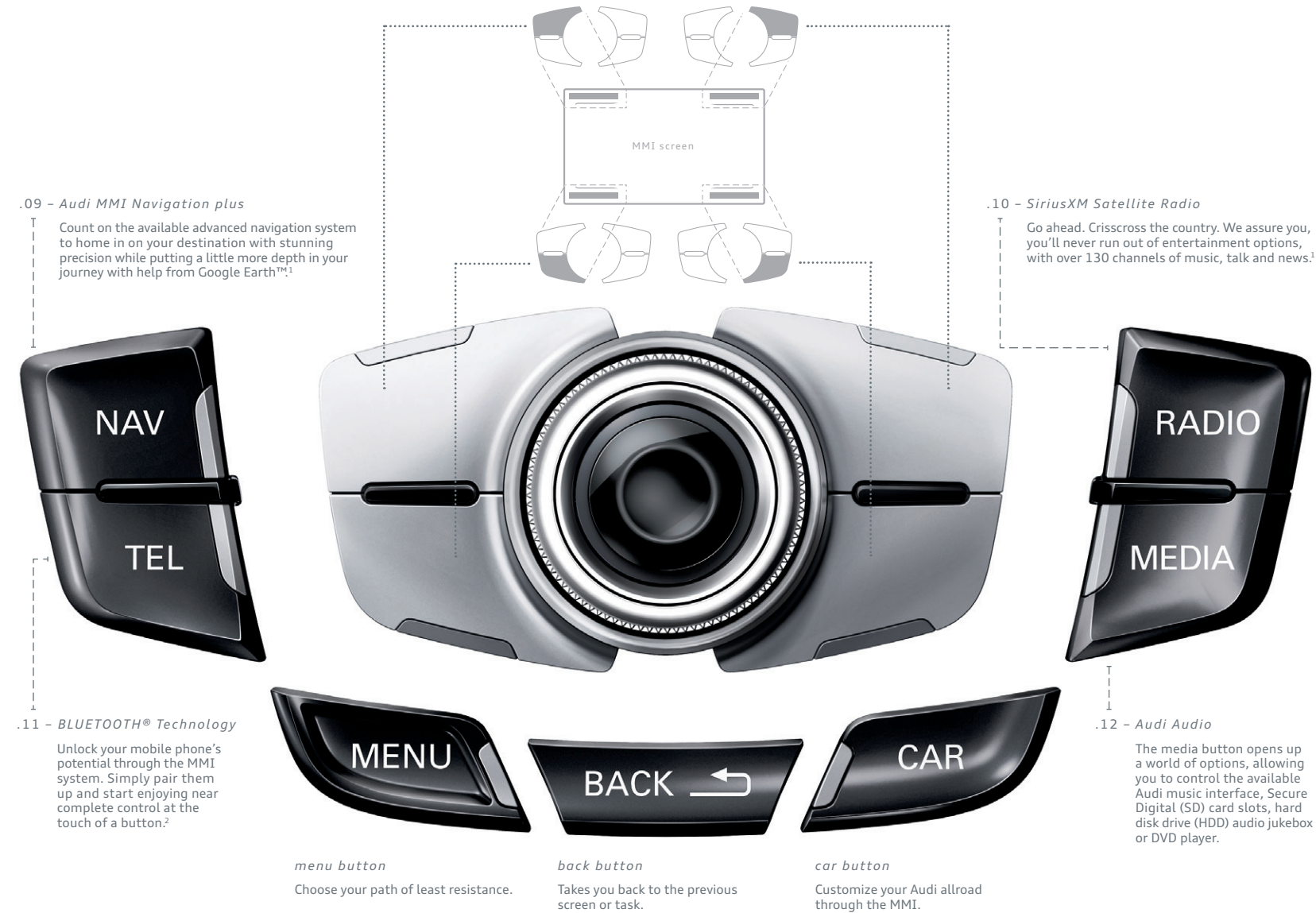
Go ahead. Crisscross the country. We assure you, you'll never run out of entertainment options, with over 130 channels of music, talk and news.¹

.11 - BLUETOOTH® Technology

Unlock your mobile phone's potential through the MMI system. Simply pair them up and start enjoying near complete control at the touch of a button.²

.12 - Audi Audio

The media button opens up a world of options, allowing you to control the available Audi music interface, Secure Digital (SD) card slots, hard disk drive (HDD) audio jukebox or DVD player.



menu button

Choose your path of least resistance.

back button

Takes you back to the previous screen or task.

car button

Customize your Audi allroad through the MMI.

No one connects you the way we do.



38° 57' 8.1" N

77° 23' 41.1" W



Google Earth™ 3D satellite imagery

With Google Earth™ integration, you'll enjoy 3D topography, including Google Maps Street View, displayed right on the Audi MMI® screen.²

SiriusXM Traffic

Working with your Google Earth™ overlay, you can get traffic conditions and plan alternate routes to help get around traffic backups.³

Reported local fuel prices

Find the lowest reported local price for fuel—and the directions to the station—right through the MMI system.

Google™ Local Search

Search for destinations via text or voice, using the cloud processing power of Google™ speech recognition and their point-of-interest database.

myAudi features

Plan your destination from your personal computer and send your route to your allroad, for a preprogrammed trip plan.

Weather information

Current local conditions and forecasts for your destination can help you prepare for your trip.

News feeds

Stay on top of the news by having headlines and stories delivered right to your MMI display.

Mobile Wi-Fi hotspot

Provides high-speed connectivity for up to eight passenger devices through an onboard wireless hub.

We set out to change how people interact in and out of their automobiles. A suite of available technologies has made the Audi allroad® a true champion of progress. And with Audi connect™ with Google Earth™ imagery and Wi-Fi connectivity for up to eight passenger devices, you have multiple ways to stay connected.¹ You can also access information and navigate entirely with your voice in just a few commands. With that kind of access, Audi helps build on your interactive life while helping enhance your ownership experience.

33° 46' 3.1" N

118° 11' 26.5" W

¹ Distracted driving can cause a loss of vehicle control. The features and technologies discussed above are offered for convenience, and should be used only when it is safe and appropriate. The Wi-Fi hotspot feature is intended for passenger use only. Always pay careful attention to the road, and do not drive while distracted. Features may require additional subscription plan. See dealer for details. ² Introduction of feature has been delayed. ³ See Infotainment/Technology section of the Featured Content page for important information regarding required SiriusXM subscriptions.



Orchestrating a new way of listening.

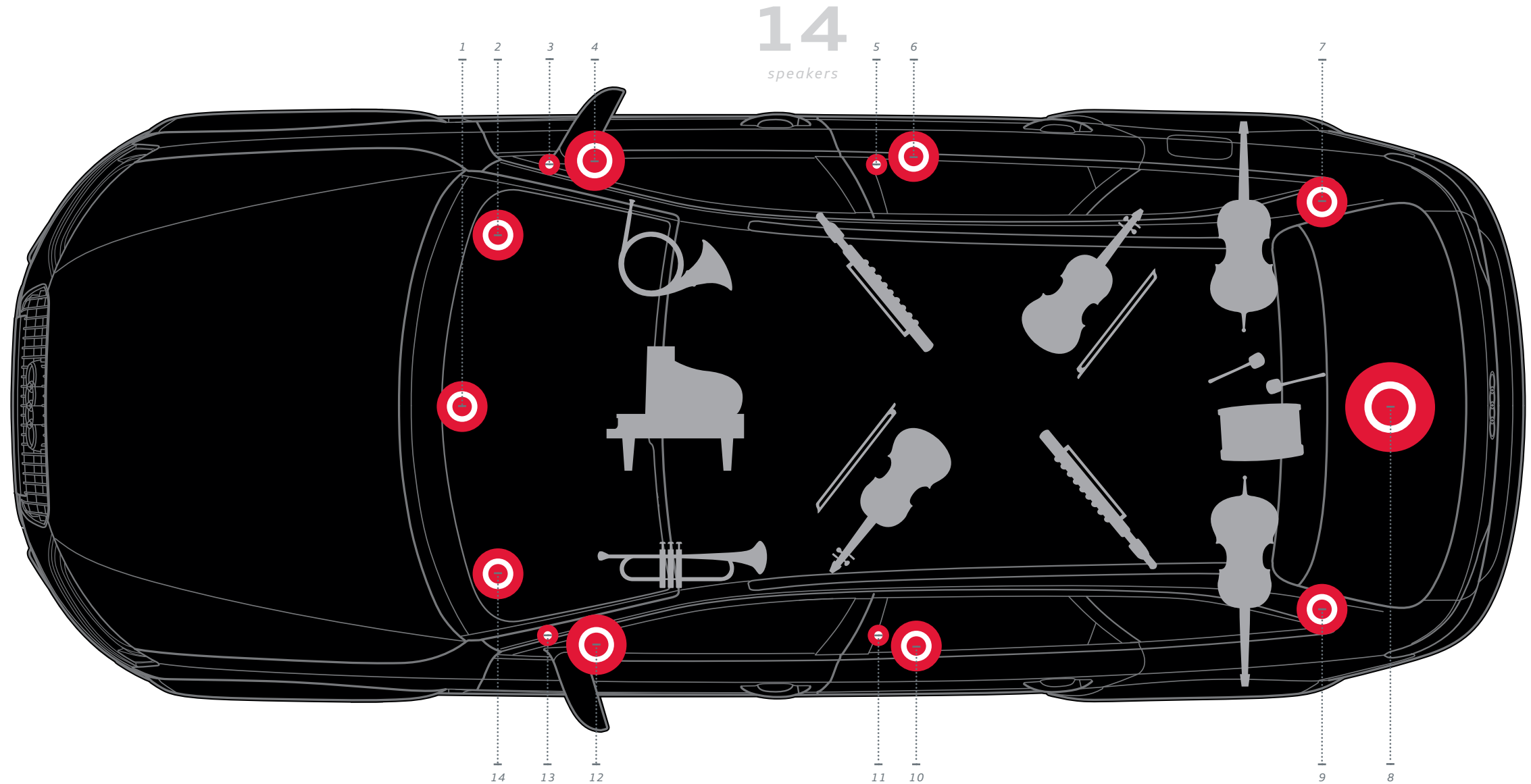
In some respects, you haven't heard anything yet. But with the available 14-speaker Bang and Olufsen® Sound System, you'll hear things in a way you've never heard anything before. It's at the heart of what Audi sound engineers had in mind for the allroad®. We actually remapped the listening process to help ensure that the sounds are hitting your ears at the precise time and acoustic levels that your music was intended to have. Which means the volume and timbre balance is automatically adjusted to changing ambient noise levels, to deliver the optimized clarity of the notes and sounds you want to hear. So that's why when we say "Truth in Engineering" you might just hear what we're talking about.



.13 - Concert Hall Effect

The human ear can detect the direction that sound is coming from only when it is high-frequency, so the cabin speakers are evenly balanced with high- and mid-range speakers. Since the ear cannot detect the direction of low-frequency or bass notes, a single subwoofer complements the sound throughout the cabin, giving you the concert hall experience anywhere your drive might take you.

- | | |
|---------------------------|----------------------------|
| 1. Center mid-range | 8. Rear 260-mm bass woofer |
| 2. Right mid-range | 9. Left surround speaker |
| 3. Right tweeter | 10. Left 168-mm woofer |
| 4. Right 200-mm woofer | 11. Left tweeter |
| 5. Right tweeter | 12. Left 200-mm woofer |
| 6. Right 168-mm woofer | 13. Left tweeter |
| 7. Right surround speaker | 14. Left mid-range |





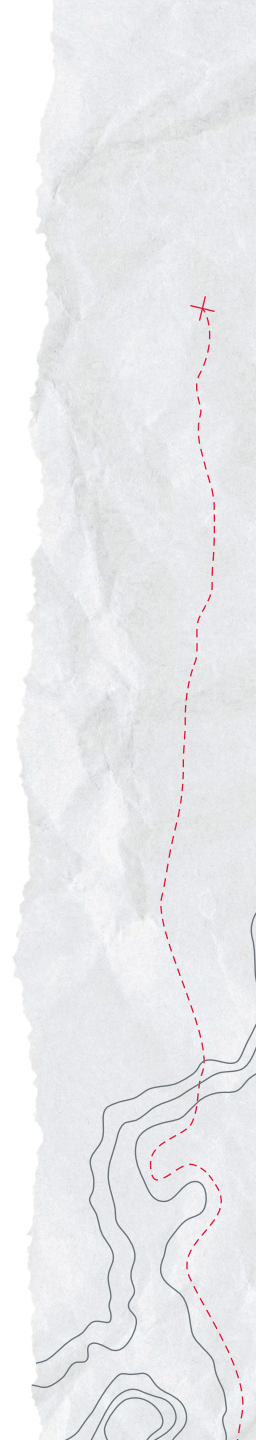
With this view, there's no doubt who will be first to the trailhead.

Distinct and brilliant, available Audi LED taillight technology will be the first indication to other outdoor enthusiasts that they've been beaten to the backcountry—again. And, as if that were not enough, the mesmerizing design of the Audi allroad® comes to an irresistible climax around two perfectly sculpted exhaust tips, invoking jealousy to go along with the steady stream of profanity issuing, perhaps, from those less punctual ones. At least you'll give them a lot to think about while they try to catch up to you on the trail.

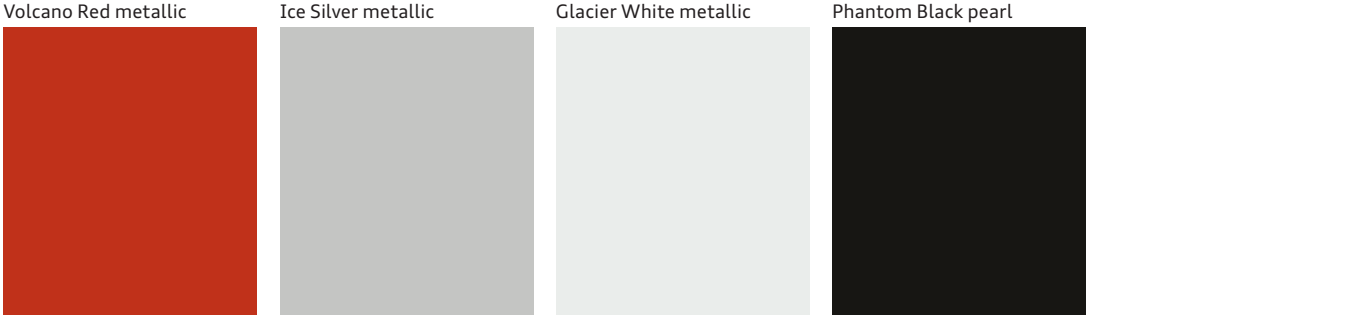
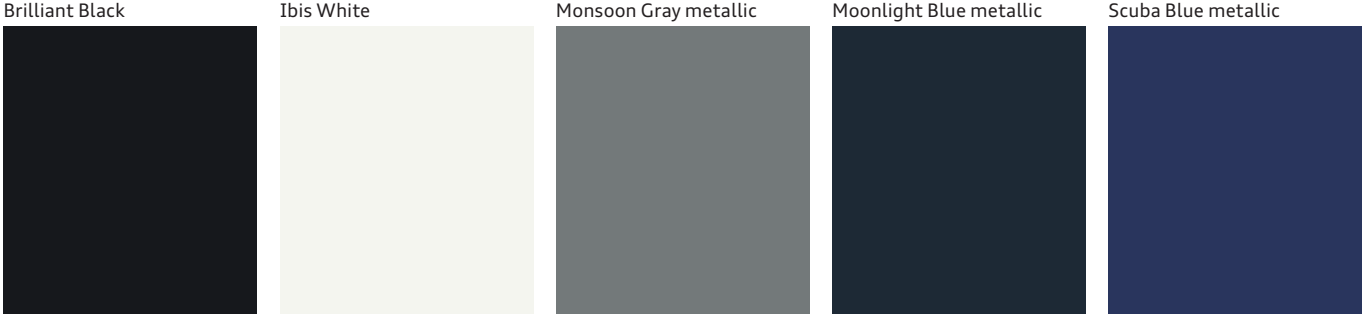
.14 - LED Taillight Technology



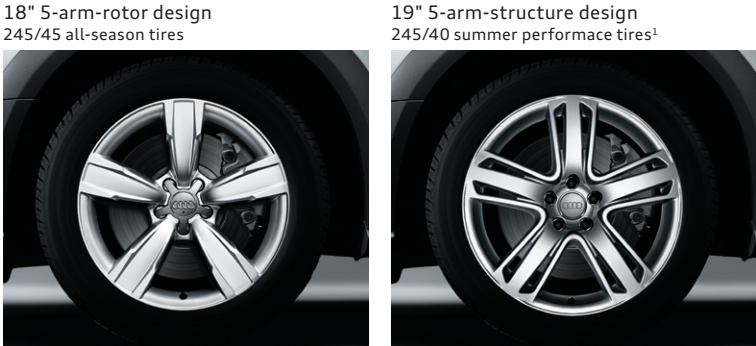
Sleek and stylish, these rear light-emitting diodes are brighter and longer-lasting than conventional bulbs, and also illuminate faster than traditional brake lights, which can help give the driver behind you more time to respond.



Exterior Colors | Cladding | Wheels



Ice Silver metallic Full-paint finish (optional)
 Glacier White metallic Full-paint finish (optional)
 Phantom Black pearl Full-paint finish (optional)

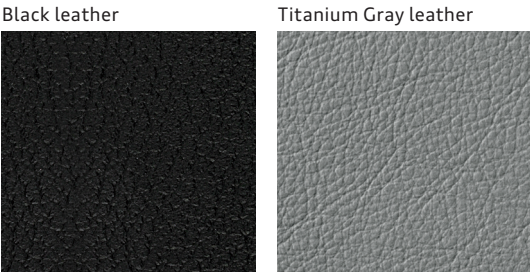
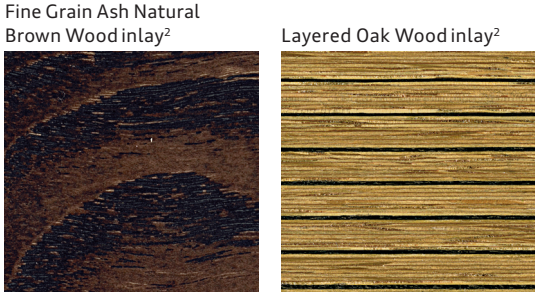
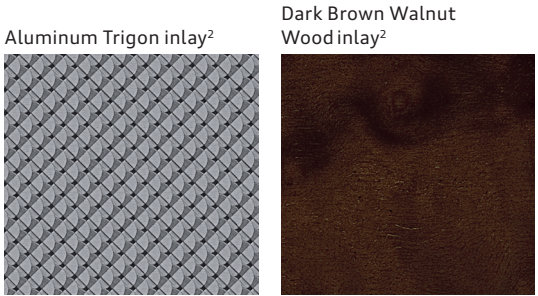


18" 5-arm-rotor design 245/45 all-season tires Premium, Premium plus and Prestige
 19" 5-arm-structure design 245/40 summer performance tires Premium plus and Prestige (optional)

Interior Colors | Seat Selections | Decorative Inlays



Standard Seat Sport Seat

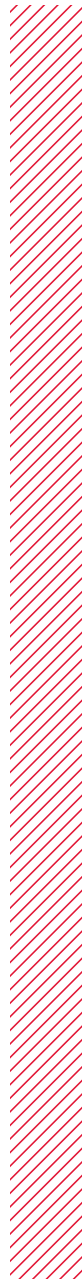


Black leather Standard or Sport Seats
 Titanium Gray leather Standard or Sport Seats



Chestnut Brown leather Standard or Sport Seats
 Velvet Beige leather Standard Seats

¹ Tires are supplied and warranted by their manufacturer. High-performance tires are designed for optimum performance and handling in warm climates. They are not suitable for cold, snowy, or icy weather conditions. If you drive under those circumstances, you should equip your vehicle with all-season or winter tires, which offer better traction under those conditions. We suggest you use the recommended winter or all-season tire specified for your car or its equivalent. These high-performance tires also have a lower aspect ratio that aids performance and handling; however, in order to avoid tire, rim or vehicle damage, it is important that the inflation pressure is regularly checked and maintained at optimum levels. Please also remember in making your selection that, while these tires deliver responsive handling, they may ride less comfortably and make more noise than other choices. Finally, these tires may wear more quickly than other choices. ² Decorative inlay options will vary based on model and interior color combination. See your dealer for details.



Technical Specifications

Engineering Performance	allroad®
Engine type	Four-cylinder
Engine block/Cylinder head	Cast-iron/Aluminum-alloy
Displacement (cc)/Bore and stroke (mm)	1,984/82.5 x 92.8
Horsepower (@ rpm)	211 @ 4,300
Torque (lb-ft @ rpm)	258 @ 1,500
Compression ratio	9.6:1
Valvetrain	16-valve DOHC with valvelift system
Induction/Fuel injection	Turbocharged/TFSI®
Acceleration (0–60 mph)	6.5 seconds
Top track speed ¹	130 mph

Transmission Drivetrain	
Eight-speed Tiptronic® automatic transmission with Audi quattro® all-wheel drive (Gear ratios: 1st: 4.714, 2nd: 3.143, 3rd: 2.106, 4th: 1.667, 5th: 1.285, 6th: 1.000, 7th: 0.839, 8th: 0.667, Reverse: 3.317, Final Drive: 3.076)	■

Body Suspension Chassis	
Fully galvanized steel unibody with multistep anti-corrosion protection	■
Five-link front suspension	■
Trapezoidal-link rear suspension	■
Ventilated front disc/solid rear disc brakes (in)	12.6/11.8
Electromechanical power steering system	■
Dynamic steering	DA

■ Standard

— Not applicable

CP Convenience package

NV Audi MMI® Navigation package

DA Driver Assist package

SI Sport Interior package

LP Lighting package

Exterior measurements	allroad®
Wheelbase (in)	110.4
Length (in)	185.9
Height (in)	58.0
Overall width with mirrors (in)	79.0
Overall width without mirrors (in)	72.5
Track front/rear (in)	62.3/62.0
Ground clearance, loaded (in)	7.1
Curb weight (lb)	3,891
Drag coefficient (Cw)	.36

Interior measurements	
Head room (in, front/rear)	40.4/38.2
Head room with sunshade (in, front/rear)	38.8/37.4
Leg room (in, front/rear)	41.3/35.2
Shoulder room (in, front/rear)	55.5/54.3
Cargo volume (cu ft, rear seatbacks up/folded)	27.6/50.5
Seating capacity	5

EPA mileage estimates Capacities	
Tiptronic® automatic transmission (city/highway/combined) ²	20/27/23
Engine oil (qt)	4.9
Fuel (gal)	16.1
Recommended fuel	Premium

¹ Top track speed is electronically limited in the U.S. Obey all speed and traffic laws. ² EPA estimates. Your mileage will vary.

Featured Content

Safety Security	Premium	Premium plus	Prestige
Driver and front passenger dual-stage airbags, thorax side airbags and Sideguard® head curtain airbags ¹	■	■	■
Rear-passenger thorax side airbags ¹	Optional	Optional	Optional
Front passenger occupant detection—for airbags ¹	■	■	■
Safety belt reminder for driver and front passenger	■	■	■
Lower Anchors and Tethers for CHildren (LATCH) in rear seats	■	■	■
Power central locking system with safety unlock feature if airbags deploy	■	■	■
Electronic Stability Control (ESC) with off-road mode and traction control (ASR)	■	■	■
Anti-lock Brake System (ABS) with Electronic Brake-pressure Distribution (EBD) and brake assist	■	■	■
Tire-pressure monitoring system	■	■	■
Electromechanical parking brake	■	■	■
Anti-theft alarm system with panic function	■	■	■

Exterior	Premium	Premium plus	Prestige
Audi Singleframe® grille	■	■	■
Halogen headlights with daytime running lights	■	—	—
Xenon plus headlights with LED daytime running light technology	LP	■	—
Adaptive xenon plus headlights with LED daytime running light technology	—	—	■
Headlight washing system	■	■	■
Automatic headlights	■	■	■
Front and rear fog lights	■	■	■
LED taillight technology	LP	■	■
Power-adjustable heated exterior side mirrors	■	—	—
Power-adjustable, power-folding, auto-dimming, heated exterior side mirrors with memory	—	■	■
LED turn indicator light technology integrated into the exterior side mirrors	■	■	■
Heated windshield washer nozzles	■	■	■
Aluminum roof rails	■	■	■
Aluminum trim around exterior windows	■	■	■
Power tailgate	—	■	■
Dual exhaust outlets	■	■	■
Audi allroad® exterior appearance with contrasting cladding, stainless steel underbody protection and side sill inserts	■	■	■
Audi allroad® exterior appearance with full-paint finish (limited exterior colors)	Optional	Optional	Optional
Class 1 trailer hitch preparation (wiring)	■	■	■

Interior	Premium	Premium plus	Prestige
Automatic climate control	■	—	—
Three-zone automatic climate control	—	■	■
Four-spoke multifunction steering wheel	■	■	■
Three-spoke multifunction sport steering wheel (with shift paddles)	—	SI	SI
Tilt and telescopic manually adjustable steering column	■	■	■
Decorative interior inlays (see Decorative Inlays page for more details)	■	■	■
Dual front sun visors with lighted vanity mirrors	■	■	■
Power windows with one-touch up/down operation and pinch protection	■	■	■
Manual rear-side window sunshades	—	—	Optional
Panoramic sunroof	■	■	■

Seating	Premium	Premium plus	Prestige
Leather seating surfaces (see Interior Colors page for more details)	■	■	■
Eight-way power front seats and four-way power lumbar adjustment for driver	■	■	■
Twelve-way power front sport seats (including four-way power lumbar adjustment)	—	SI	SI
Driver seat memory	—	■	■
Heated front seats	Optional	■	■
Split folding 60/40 rear seatbacks	■	■	■

Infotainment Technology	Premium	Premium plus	Prestige
Audi MMI® Navigation plus with voice control system ²	—	NV	■
Audi connect™ with six-month trial subscription ³	—	NV	■
Color driver information system	—	NV	■
Audi concert radio with ten speakers and single CD player with MP3 playback capability	■	■	—

- Standard
- Not applicable
- CP Convenience package
- NV Audi MMI® Navigation package
- DA Driver Assist package
- SI Sport Interior package
- LP Lighting package

¹ Airbags are supplemental restraints only and will not deploy under all crash circumstances. Always use safety belts and seat children only in the rear, using restraint systems appropriate for their size and age. ² Audi Navigation plus depends on signals from the worldwide Global Positioning Satellite network. The vehicle's electrical system and existing wireless and satellite technologies must be available and operating properly for the system to function. The system is designed to provide you with suggested routes in locating addresses, destinations and other points of interest. Changes in street names, construction zones, traffic flow, points of interest and other road system changes are beyond the control of Audi of America, Inc. Complete detailed mapping of lanes, roads, streets, toll roads, highways, etc., is not possible, therefore you may encounter discrepancies between the mapping and your actual location. Please rely on your individual judgment in determining whether or not to follow a suggested Audi Navigation plus route. Periodically mapping updates will be available for purchase at an additional cost. Consult your dealer or call 1-800-FOR-AUDI for details. ³ See Audi connect page for important information regarding Audi connect.

Featured Content

Infotainment Technology (continued)	Premium	Premium plus	Prestige
Bang & Olufsen® Sound System with 14 speakers and 505 watts	—	Optional	■
HD Radio™ Technology	—	NV	■
SiriusXM Satellite Radio with 90-day trial subscription ¹	■	■	■
SiriusXM Traffic with four-year subscription ¹	—	NV	■
Audi music interface with iPod® integration	CP	■	■
BLUETOOTH® wireless technology preparation for mobile phone	CP	■	■
Garage door opener (HomeLink®)	CP	■	■
Audi advanced key—keyless start, stop and entry	—	Optional	■
Cruise control with coast, resume and accelerate features	■	■	■
Audi adaptive cruise control	—	—	DA
Audi side assist	—	—	■
Audi drive select	—	—	DA
Parking system plus with rearview camera	—	NV	■
Rain/light sensor for automatic windshield wipers and headlights	■	■	■

■ Standard
 — Not applicable

CP Convenience package **DA** Driver Assist package **LP** Lighting package
NV Audi MMI® Navigation package **SI** Sport Interior package

¹ SiriusXM Satellite Radio and Traffic subscriptions sold separately or as a package after trial expires. SiriusXM Traffic service available in select markets. Subscriptions are governed by SiriusXM Customer Agreement (see www.siriusxm.com) and are continuous until you call SiriusXM to cancel. SiriusXM U.S. Satellite Service available only to those 18 and older in the 48 contiguous U.S.A., D.C. and Puerto Rico (with coverage limitations). ² See dealer for details. ³ All roof-rack system attachments require the base carrier bars. All attachments sold separately. ⁴ Recreational equipment, sporting equipment and luggage not included.

Accessories

Imagine a cherry on top of your sundae. Sweet, right? Now imagine a cherry that helps protect your Audi allroad® in the garage. Or carries your bikes for a serious weekend on the trails. Or makes heads turn as you drive by. Audi Genuine Accessories are the little extras that make your Audi even sweeter. Designed by the same visionaries who designed your vehicle, all accessories feature a tailored fit and the expert craftsmanship you'd expect from Audi. They are also backed by the 4-year/50,000-mile Audi New Vehicle Limited Warranty or the accessory's 12-month/12,000-mile limited warranty, whichever extends longer from the accessory purchase date.²



Canoe/kayak rack

Carries one canoe or kayak weighing up to 55 lb. Conforms to most hulls and includes one pair of heavy-duty straps.^{3,4}

Fork-mount Bike Rack

This secure mount is an excellent bike transfer option. Lock included.^{3,4}



Ski and Snowboard Racks

Push-button, keyed locks open and close easily. Rubber-cushioned aluminum bars hold securely. Standard attachment holds up to four skis or two snowboards. Deluxe attachment holds up to six skis or four snowboards.^{3,4}

Small Cargo Carrier

Extra carrying capacity (13 cu ft) comes in a smart size: 55" long, 35" wide, 14" high.³



Textile Floor Mats

These precision-fit mats are made of long-life fabric to help protect the vehicle's interior from the elements. Skid-resistant. Available in black with silver piping. Comes in sets of two, for front or rear.

All-weather Trunk Liner

Custom fit for the allroad. Textured material helps control load-shifting. Raised lip helps contain spills and prevent stains.

Other accessories not shown — — — —

Audi Genuine Sport and Design Accessories

Your Audi vehicle features a bold, aggressive stance and strong, stunning lines. Enhance it by adding Audi Genuine Sport and Design Accessories. All are carefully scrutinized in the design and development process. So while they're striking in appearance, they've also passed rigorous quality assessments, including corrosion testing. If you're looking for a bolder appearance or a finishing touch, there is a solution designed by Audi that makes every mile more enjoyable—and more yours.

Audi Genuine Alloy Wheels

Strike the perfect balance between breathtaking design and awe-inspiring performance with Audi Genuine Alloy Wheels. Audi experts have meticulously designed these wheels especially for each Audi model. They're engineered to the highest standards and endure rigorous testing to help ensure long-term quality. Experience eye-catching style that is yours and yours alone. Nothing enhances the bold, dynamic look of your Audi vehicle faster.