

The 2005
BMW 6 Series



645Ci Coupe
645Ci Convertible

The Ultimate
Driving Machine®





Go ahead. You deserve this.

The wait is finally over.



The 6 Series Convertible has only one equal: the 6 Series Coupe.





The return of the king.

**Visceral power. Surgical precision.
It's less a car than a driving instrument.**







Equipment



■ **Xenon Adaptive Headlights** provide optimum road illumination around corners, thanks to an electromechanical control system that directs the headlights into and through the bend as soon as the vehicle begins cornering. This feature is combined with **Xenon low- and high-beam headlights**, which provide brilliant clarity of the road ahead and to the side at night and in conditions with poor visibility. The dynamic auto-leveling feature adjusts for varying passenger and cargo loads, helping to keep headlight glare out of the eyes of oncoming drivers.



■ **Halogen free-form foglights**, built into the front air dam, enhance your margin of safety in bad visibility. Ellipsoid free-form technology provides for even light distribution on the road.



■ **High-pressure headlight cleaning system** helps keep headlights clear of ice, mud, road salt and other coatings, for maximum road illumination and enhanced driving safety.



■ **Side indicator lights** add to the 6 Series' distinctive individuality.



■ **Door handles** in body color combine sleek design and comfortable use.

■ Standard equipment

Equipment



■ **18 x 8.0 Radial Spoke (Styling 118) cast alloy wheels and 245/45R-18 all-season run-flat tires.**



□ **19 x 8.5 front, 19 x 9.0 rear Ellipsoid Spoke (Styling 121) cast alloy wheels and 245/40R-19 front, 275/35R-19 rear performance run-flat tires.¹**

¹ Due to low-profile tires, please note: wheels, tires and suspension parts are more susceptible to road hazard and consequential damages. Performance tires are not recommended for driving in snow and icy road conditions.



■ **Tilting glass panel roof** gives the interior an even brighter, more spacious feel. For greater ventilation, it tilts up; an electric sliding interior roof liner keeps the hot sun out. (645Ci Coupe only)



■ **Triple-lined Convertible softtop** is fully automatic. Simply press a button at the front of the center console to raise or lower. The top automatically unlatches from the header and folds down neatly. An interior lining helps reduce wind noise and enhances insulation. The heated, glass rear window can remain up when the top is down, acting as a windscreen. Available in Black or Gray. (645Ci Convertible only)



■ **Adaptive Brake Lights** help following drivers judge your braking situation. Under light braking, the lower three rows of long-life LEDs in the rear brake-light unit illuminate. During panic braking, Dynamic Brake Control (DBC) signals for the two upper rows of LEDs to illuminate.

Standard equipment | Optional equipment

Performance and efficiency	645Ci Coupe	645Ci Convertible
4.4-liter, 325-hp 32-valve V-8 engine, 4 overhead camshafts with Valvetronic	●	●
Aluminum block and cylinder heads	●	●
Direct ignition system with knock control	●	●
Steplessly variable intake manifold	●	●
Double-VANOS steplessly variable valve timing	●	●
Electronically controlled engine cooling (map cooling)	●	●
6-speed manual transmission with Dynamic Driving Control (Sport button)	●	●
6-speed STEPTRONIC three-mode automatic transmission including Sport and Manual shift modes, Dynamic Driving Control (Sport button), and Adaptive Transmission Control (ATC)	○	○
6-speed Sequential Manual Gearbox (SMG) ¹ with Automated and Manual modes. Includes Dynamic Driving Control (Sport button)	○	○
Handling, ride and braking		
Vehicle-speed-sensitive variable-assist, variable-ratio rack-and-pinion power steering	●	●
Aluminum front and rear subframes	●	●
Twin-tube gas-pressure shock absorbers	●	●
4-wheel ventilated anti-lock disc brakes (ABS) with Dynamic Brake Control (DBC)	●	●
Sport suspension	●	●
Active Roll Stabilization (ARS)	●	●
Active Steering with variable steering ratio	○/□	○/□
Dynamic Stability Control (DSC), including Dynamic Traction Control (DTC), electronic brake proportioning and cornering/braking stability enhancement	●	●
Exterior and aerodynamics		
18 x 8.0 Radial Spoke (Styling 118) cast alloy wheels, 245/45R-18 all-season run-flat tires ²	●	●
19 x 8.5 front, 19 x 9.0 rear Ellipsoid (Styling 121) cast alloy wheels, 245/40R-19 front, 275/35R-19 rear performance run-flat tires ^{2,3}	□	□
Flat tire warning	●	●
Rain-sensing windshield wipers with adjustable speed	●	●
Xenon Adaptive Headlights with dynamic auto-leveling	●	●
White turn-signal indicators	●	●

Exterior and aerodynamics (continued)	645Ci Coupe	645Ci Convertible
Headlight washing system	●	●
Halogen free-form foglights	●	●
Park Distance Control	●	●
Aluminum hood and doors	●	●
Power adjustable, heated, body-colored side-view mirrors	●	●
Thermoplastic front side fenders and sheet molding compound trunk lid	●	●
Choice of standard or metallic paints	●	●
Green band windshield ⁴	●	●
Chromeline exterior trim	●	●
Shadowline high-gloss exterior trim	□	□
Fully lined fabric softtop with glass rear window and electric rear-window defroster		●
Instrumentation and controls		
Multi-function 3-spoke sport steering wheel with controls for audio system, cruise control, and Bluetooth® wireless connection and accessory phone ⁵	●	●
Electronic analog speedometer and tachometer and LCD main and trip odometers	●	●
Expanded Check Control vehicle monitor system	●	●
iDrive system with on-board computer	●	●
Head-Up Display (HUD) ⁶	○	○
Exterior temperature display with warning for freezing temperatures	●	●
Programmable Cruise Control	●	●
Active Cruise Control (ACC)	○	○
BMW on-board navigation system with voice feedback and Voice Activation	●	●
Audio system		
Anti-theft AM/FM stereo/CD audio system, Radio Data System (RDS), Auto-Store, and FM diversity antenna system	●	●
Logic7 sound system with Surround Sound, Digital Sound Processing (including two subwoofers) and center dash speaker	■	■
6-disc CD player mounted in the glove compartment	■	■
Pre-wiring for BMW center installation of BMW 6-disc CD changer and BMW mobile telephone	●	●
SIRIUS satellite radio	○	○

- Standard equipment
- Optional equipment
- Sport Package
- ◆ Cold Weather Package
- Premium Sound Package

¹ Requires Sport Package.

² Run-flat tires do not come with a spare wheel and tire.

³ Due to low-profile tires, please note: wheels, tires and suspension parts are more susceptible to road hazard and consequential damages. Performance tires are not recommended for driving in ice and snow.

⁴ Not available with Head-Up display.

⁵ If so equipped.

⁶ Not available with green band windshield.

Standard equipment | Optional equipment

Interior seating and trim	645Ci Coupe	645Ci Convertible
Dakota Leather upholstery and door trim	●	●
Ruthenium Pearl-Gloss finish interior trim	●	●
Dark Birch High-Gloss wood interior trim ⁷	○	○
Light Birch High-Gloss wood interior trim ⁷	○	○
8-way power front seats with 2-way adjustable headrests	●	●
3-setting memory system for driver's seat, side-view mirrors, and steering wheel position	●	●
4-way power lumbar support for front seats	●	●
8-way power front sport seats with adjustable headrests and manual thigh support	□	□
Adjustable front center armrest	●	●
Color-matching floormats	●	●
Comfort and convenience		
Automatic climate control with separate left/right temperature and air distribution controls, with automatic air recirculation	●	●
Micro-filter ventilation system with replaceable active-charcoal filters	●	●
Tilting Glass Panel roof with electric sliding roofliner	●	●
Automatic-dimming inside and outside rear-view mirrors	●	●
Power tilt and telescopic steering wheel with automatic tilt-up	●	●
Power windows with key-off and "one-touch" up and down operation both front and rear, anti-trapping feature, opening from remote, and closing from exterior lock	●	●
Ambient interior lighting	●	●
Dual front sun visors with illuminated mirrors	●	●
Cupholders front and rear	●	●
Heated driver's door lock and rear window defroster	●	●
Heated front seats	○/◆	○/◆
Heated steering wheel	◆	◆
Extended Voice Activation	●	●
Ski bag	◆	◆
Fully finished trunk with tool kit and interior trunk release	●	●
Integrated 3-button Universal garage-door opener	●	●
Glove compartment with rechargeable take-out flashlight	●	●
Power softtop and heated rear glass window deflector		●

Safety and security	645Ci Coupe	645Ci Convertible
Driver's and passenger's front airbag supplemental restraint system (SRS) with dual-threshold deployment, 2-stage Smart Airbags	●	●
Head Protection System	●	
Active knee protection airbags	●	●
Door-mounted side-impact airbags	●	●
Front safety belts with automatic tensioners and force limiters	●	●
Latch attachment for child-restraint safety installation	●	●
Automatic-locking retractors (ALR) on all passenger seat safety belts (for installation of child-restraint seats)	●	●
Interlocking door anchoring system to help protect against door intrusion in side impacts	●	●
Intelligent Safety and Information System (ISIS) for deployment of safety systems	●	●
Rollover Protection System		●
BMW Assist integrated wireless communication system	●	●
Impact sensor that activates Battery Safety Terminal disconnect of alternator, fuel pump and starter from battery; turns on hazard lights, interior lights and unlocks doors	●	●
Adaptive Brake Lights	●	●
Coded Driveaway Protection (prevents engine start when your key with constantly changing electronic code is not used)	●	●
Remote keyless entry security alarm system with selective unlocking and double-lock feature (programmed at BMW center), remote trunk opening, interior motion detector, and panic feature	●	●
BMW Maintenance Program		
BMW Full Maintenance ⁸	●	●

- Standard equipment
- Optional equipment
- Sport Package
- ◆ Cold Weather Package
- Premium Sound Package

⁷No-cost option.

⁸ Full Maintenance Program covers all factory-recommended maintenance, as determined by the Service Interval Indicator for 4 years or 50,000 miles, whichever comes first. Full Maintenance Program includes items that need replacement due to normal wear and tear, provided wear and tear exceeds BMW specifications. This includes items such as brake pads, brake rotors and wiper blades that are not covered by the original New Vehicle Limited Warranty. Any adjustments required due to normal operating conditions are also included. For exclusions and limitations, refer to the Service and Warranty Information booklet that came with your new BMW, or see your authorized BMW center for details.

Standard equipment | Optional equipment

	645Ci Coupe	645Ci Convertible
Sport Package		
19 x 8.5 front, 19 x 9.0 rear Ellipsoid (Styling 121) cast alloy wheels, 245/40R-19 front, 275/35R-19 rear performance run-flat tires ¹	<input type="checkbox"/>	<input type="checkbox"/>
8-way power front sport seats with adjustable headrests and manual thigh support	<input type="checkbox"/>	<input type="checkbox"/>
Active Steering with variable steering ratio	<input type="radio"/>	<input type="radio"/>
Shadowline High-Gloss exterior trim	<input type="checkbox"/>	<input type="checkbox"/>
Cold Weather Package		
Heated front seats	◆	◆
Heated steering wheel	◆	◆
Ski bag	◆	◆
Premium Sound Package		
Logic7 sound system with Surround Sound, Digital Sound Processing (including two subwoofers) and center dash speaker	■	■
6-disc CD player mounted in the glove compartment	■	■

All illustrations and specifications contained in this brochure are based on the latest product information available at the time of printing. BMW reserves the right to make changes at any time, without notice, in colors, materials, equipment, specifications and models. BMW may, subject to legal requirements, determine the Model Year designation of its vehicles. The Model Year designation on any particular model may be longer or shorter than 12 months. Some vehicles pictured may contain non-U.S. equipment. Some models may be shown with optional equipment. While BMW NA makes all reasonable efforts to provide accurate information in this brochure, there is no guarantee or warranty of accuracy. Furthermore, we do not assume any liability for the accuracy or completeness of information presented. This brochure shall not be used or relied upon as a substitute for information that is available from your BMW center. Further information can be obtained from your authorized BMW center or bmwusa.com.

¹ Due to low-profile tires, please note: wheels, tires and suspension parts are more susceptible to road hazard and consequential damages. Performance tires are not recommended for driving in snow and icy road conditions. Run-flat tires do not come equipped with a spare wheel and tire.

- Sport Package
- ◆ Cold Weather Package
- Premium Sound Package

Technical features | Specifications

		645Ci Coupe	645Ci Convertible
Dimensions			
Length/width/height	inches	190.2/73.0/54.1	190.2/73.0/54.1
Wheelbase	inches	109.4	109.4
Weight			
Unladen	lb.	3,781 [3,792]	4,178 [4,189]
Weight distribution, front/rear	%	51.6/48.4 [51.7/48.3]	48.3/51.7 [48.4/51.6]
Engine			
Liter/type		4.4/V-8	4.4/V-8
Bore/stroke	inches	3.62/3.26	3.62/3.26
Nominal output/rpm	hp	325 @ 6100	325 @ 6100
Max torque/rpm	lb-ft	330 @ 3600	330 @ 3600
Compression ratio	:1	10.5	10.5
Fuel grade		Unleaded premium	Unleaded premium
Performance			
Acceleration 0 – 60 mph ²	sec	5.5 [5.7]	6.0 [6.1]
Top speed ³	mph	149	149
Aerodynamic drag coefficient	C _d	0.30	0.32
Fuel consumption⁴			
City/Highway, Manual or SMG	mpg	17/25 (16/24)	15/23 (15/22)
City/Highway, Automatic	mpg	18/26	18/26
Wheels			
Standard tire dimensions		245/45R-18	245/45R-18
Standard wheel dimensions	inches	18 x 8.00	18 x 8.00
Material		Light-alloy	Light-alloy
Optional tire dimensions ¹		245/40R-19 front 275/35R-19 rear	245/40R-19 front 275/35R-19 rear
Optional wheel dimensions	inches	19 x 8.5 front 19 x 9.0 rear	19 x 8.5 front 19 x 9.0 rear
Material		Light-alloy	Light-alloy

Figures in [] apply to models with 6-speed automatic transmission.

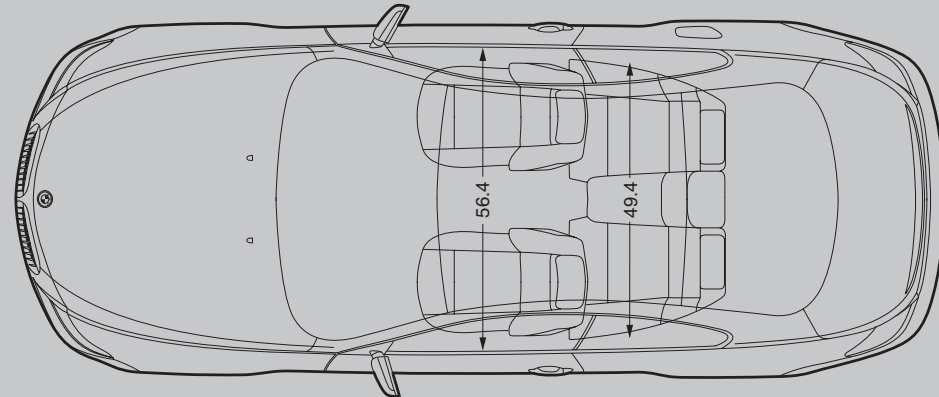
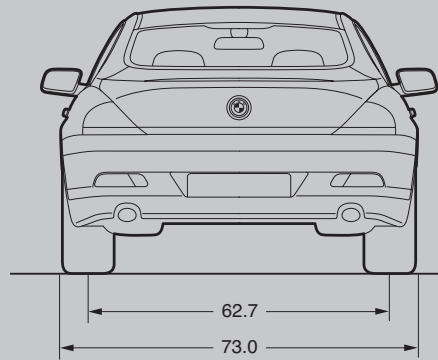
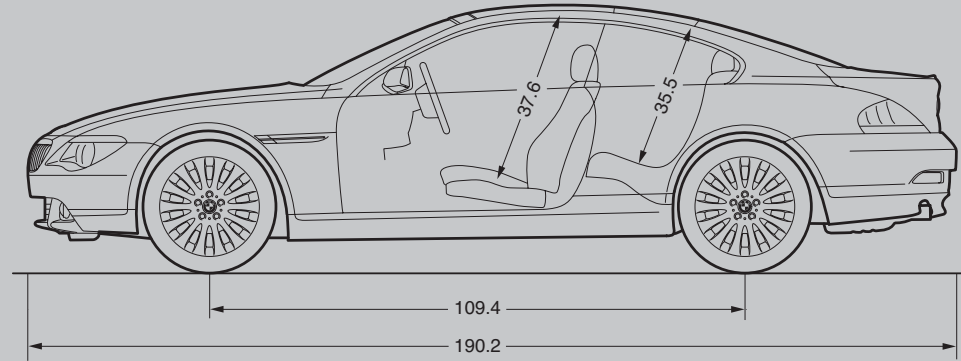
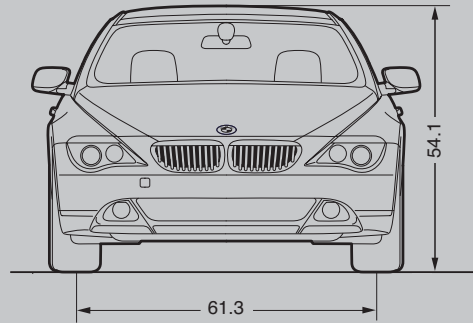
Figures in () apply to models with 6-speed SMG transmission.

² BMW AG test results. Actual acceleration results may vary, depending on specification of vehicle; road and environmental conditions; testing procedures and driving style. These results should be used for comparison only and verification should not be attempted on public roads. **BMW urges you to obey all posted speed laws and always wear safety belts.**

³ Top speed limited electronically.

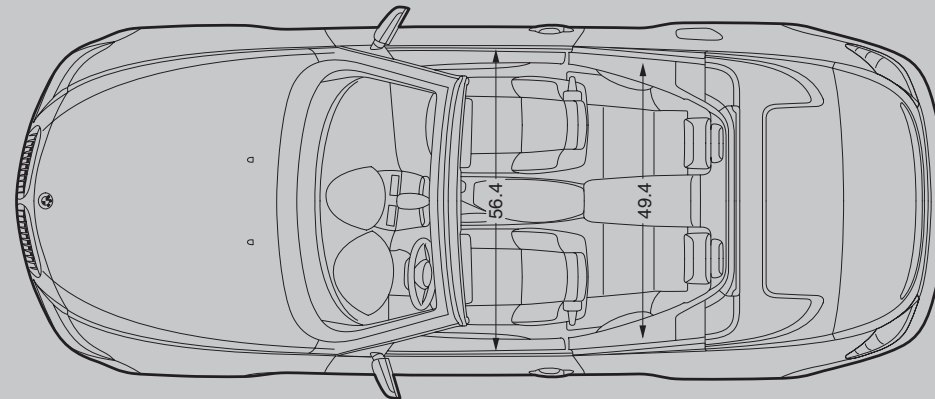
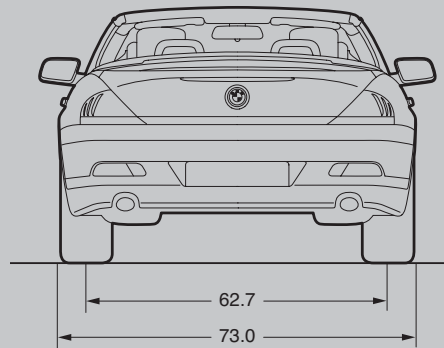
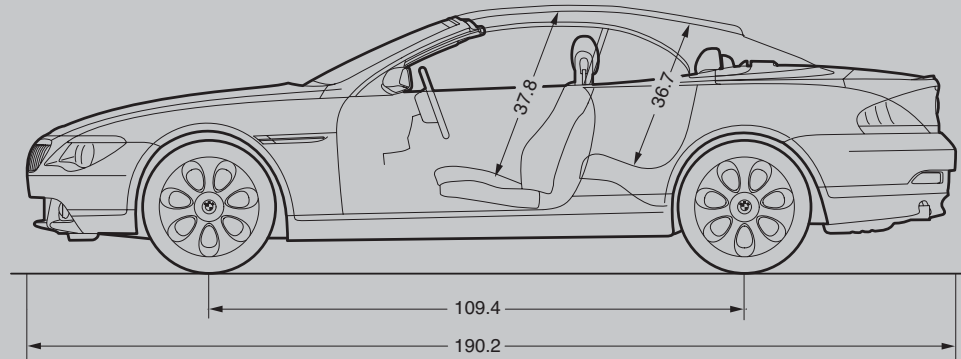
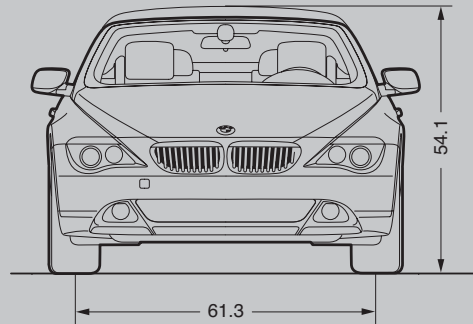
⁴ EPA-estimated figures are for comparison purposes only. Your actual mileage will vary, depending upon speed, driving habits, trip length and driving conditions; actual mileage will most likely be lower.

6 Series Coupe



All dimensions are shown in inches and apply to models with standard wheels.
NOTE: Measurements do not include vehicle width from mirror to mirror.

6 Series Convertible



All dimensions are shown in inches and apply to models with standard wheels.
NOTE: Measurements do not include vehicle width from mirror to mirror.

U.S. Importer: BMW of North America, LLC, Woodcliff Lake, NJ 07677. All illustrations and specifications contained in this brochure are based on the latest product information available at the time of printing. BMW reserves the right to make changes at any time, without notice, in colors, materials, equipment, specifications and models. BMW may, subject to legal requirements, determine the ModelYear designation of its vehicles. The ModelYear designation on any particular model may be longer or shorter than 12 months. Some vehicles pictured may contain non-U.S. equipment. Some models may be shown with optional equipment. While BMW NA makes all reasonable efforts to provide accurate information in this brochure, there is no guarantee or warranty of accuracy. Furthermore, we do

not assume any liability for the accuracy or completeness of information presented. This brochure shall not be used or relied upon as a substitute for information that is available from your BMW center. Further information can be obtained from your authorized BMW center or bmwusa.com.

©2005 BMW AG, Munich/Germany. Not to be reproduced wholly or in part without written permission of BMW AG, Munich. The BMW name and logo are registered trademarks.

BMW recommends 