

BMW 2005 M



M3 Coupe
M3 Convertible

The Ultimate
Driving Machine®







You live only once.
Be M-powered.



Handling that
grips the road – and
frees your imagination.



MENU
On-Board Computer GPS-Navigation
Code
Settings Monitor Off
1:32 pm 04/20/2005

70.0 °F

AUTO

DSC



M3 Coupe design details.

1 19" M Double Spoke (Style 67) polished and forged alloy wheel.¹ 2 Sequential Manual Gearbox (SMG).² 3 Dual twin stainless steel exhaust tips. 4 Chrome side gill. 5 Tilt/telescopic M three-spoke steering wheel with SMG² paddles. 6 BMW M front spoiler with halogen free-form M oval foglights.

¹ Optional. Due to low-profile tires, please note: wheels, tires and suspension parts are more susceptible to road hazard and consequential damages.

² Optional.





1 2
3 4

M3 Convertible design details.

1 Dual twin stainless steel exhaust tips. 2 M aerodynamic side-view mirror. 3 Tilt/telescopic M three-spoke steering wheel. 4 19" M Double Spoke (Style 67) polished and forged alloy wheel¹. 5 BMW M front spoiler with halogen free-form M oval foglights. 6 Front seat with integrated safety belt.

¹ Optional. Due to low-profile tires, please note: wheels, tires and suspension parts are more susceptible to road hazard and consequential damages.

5



6



The M3 Competition Package –
Sharpen the performance edge.



Equipment | Standard and Optional

Performance and efficiency	M3 Coupe	M3 Convertible	Exterior	M3 Coupe	M3 Convertible
3.2-liter dual overhead cam (DOHC), 24-valve inline 6-cylinder engine with Double-VANOS "steplessly" variable valve timing	●	●	M-style alloy wheels with Satin Chrome finish and safe-stop rim design, 18 x 8.0 front, 18 x 9.0 rear, with asymmetric hump; 225/45R-18 front and 255/40R-18 rear performance tires ⁴	●	●
6 individual throttles, electronically controlled (drive-by-wire), with M Dynamic Driving Control (throttle control)	●	●	M Double Spoke (style 67) polished and forged alloy wheels, and safe-stop rim design, 19 x 8.0 front, 19 x 9.5 rear; 225/40R-19 front and 255/35R-19 rear performance tires ⁴	○	○
Digital Motor Electronics (DME) with on-board diagnostics	●	●	Forged lightweight alloy wheels, 19 x 8.0 front, 19 x 9.5 rear; 225/40R-19 front and 255/35R-19 rear performance tires ⁴	□	
Distributorless electronic ignition system	●	●	Flat tire warning	●	●
6-speed manual transmission with heavy-duty clutch	●	●	BMW M-design front and rear body-color bumpers with hydraulic energy absorbers and front-compressible elements	●	●
Sequential Manual Gearbox (SMG) ¹	○	○	Xenon low- and high-beam headlights with auto-leveling feature	○	○
			Halogen free-form M oval design foglights	●	●
Handling, ride and braking			High-pressure liquid headlight cleaning system	◆	◆
Dynamic Stability Control (DSC), including All Season Traction	●	●	Aluminum hood with "power dome"	●	●
Dynamic Stability Control (DSC), including All Season Traction M Track Mode ²	□		Flared front and rear fenders, including wheel arches; vent gills in front fenders	●	●
M Variable Differential Lock	●	●	M-style side-view mirrors	●	●
Engine-speed-sensitive, variable-assist power steering	●	●	Fully lined fabric automatic softtop with glass rear window and electric rear-window defroster		●
More direct steering ratio (14.5:1)	□	●	Body-color hardtop with integrated rear-window defroster, retractable coat hooks, and individual reading lights front and rear		○
Aluminum double-pivot strut-type front suspension and 4-link integral rear suspension	●	●	Automatic tilt-down of passenger's side-view mirror when vehicle is shifted into reverse gear	○ ⁵	●
Aluminum trailing-link assembly rear suspension	●	●	Heated side-view mirrors, windshield washer jets and door locks	●	●
Independent suspension with M calibration (stiffened dampers, springs and anti-roll bars; modified rear axle geometry)	●	●	Rain-sensing windshield wipers with automatic headlight control	●	●
Gas-pressurized front struts and rear shock absorbers	●	●	White turn-signal indicators	●	●
Massive, 4-wheel BMW M vacuum-assisted ventilated disc brakes	●	●	4 polished stainless-steel exhaust tips	●	●
High-performance-tuned anti-lock braking system (ABS) with Dynamic Brake Control	●	●	Park Distance Control (rear) ⁶	○	○
Large cross-drilled compound brakes with (13.6" front rotors, up from 12.8") ³	□		Metallic paint	○	○

● = Standard

○ = Optional

□ = Included in optional Competition Package

★ = Included in optional Premium Package

◆ = Included in optional Cold Weather Package

¹ Includes Park Distance Control (PDC).

² M Track Mode is a less intrusive mode for DSC. Drivers should exercise caution while driving with M Track Mode. Regular DSC mode is still available. Not available with cruise or multi-function steering wheel controls. Note: Please drive safely, observe all traffic and speed limit postings and always wear safety belts.

³ Compound brakes make more noise under braking than standard M3 brakes.

⁴ Due to low-profile tires, please note: wheels, tires and suspension parts are more susceptible to road hazard and consequential damages. Performance tires not recommended for driving in ice and snow.

⁵ Included with optional power-adjustable front seats or Premium Package.

⁶ Included with SMG.

Standard and Optional | Equipment

Interior seating and trim	M3 Coupe	M3 Convertible	Comfort and convenience	M3 Coupe	M3 Convertible
Black Nappa leather upholstery with BMW M cloth seat inserts	●		Automatic climate control with automatic recirculation	●	●
Nappa leather upholstery	○/★	●	Micro-filtered ventilation system with replaceable activated charcoal filter	●	●
Front sport seats with adjustable thigh support	●	●	Power, glass 2-way moonroof with remote, “one-touch” operation and sliding interior sunshade	○/★	
Power-adjustable front seats with 3-setting memory system for driver’s seat, and outside mirrors	○/★	●	Power front/rear windows with rear side vent windows	●	
Width-adjustable power front seat backrests with 4-way lumbar support ⁷	○		Power front/rear windows with “one-touch” up/down operation (Convertible only)		●
4-way lumbar support for front seats		○	Automatic-dimming inside rear-view mirror	●	●
Seatback easy-entry feature	●	●	3-spoke, leather-wrapped multi-function M sport steering wheel with fingertip cruise, audio and (accessory) phone controls, M color stitching and tilt/telescopic adjustment	●	●
Split fold-down rear seats	●		Alcantara-covered steering wheel with M Track Mode (for DSC) button ⁸	□	
3-stage heated front seats	○/◆	○/◆	Cruise control	● ⁹	●
Front armrest	●	●	Dual sun visors with vanity mirrors	●	●
M3-badged doorsills	●	●	Courtesy lights with fade-in/fade-out feature, actuation from remote control	●	●
Alcantara-covered handbrake grip	□		BMW Ambiance Lighting	●	●
Audio system			Front and rear reading lights, separately controllable left/right	●	
Anti-theft AM/FM stereo/CD audio system with 10 speakers, Radio Data System (RDS), Auto-Store, and 3-channel FM diversity antenna system	●	●	Console valet and cupholders	●	●
Harman Kardon AM/FM stereo/CD audio system with upgraded speakers, upgraded amplification, and vehicle-speed-sensitive equalization	○	○	Ski bag	◆	◆
Pre-wiring for accessory BMW cellular phone, 6-disc CD changer, and Auxiliary Input	●	●	Vehicle & Key Memory	●	●
			Keyless entry with multi-function remote, 2-step unlocking, remote trunk release	●	●
			Electric interior trunk release	●	●
			Fully finished trunk with drop-down tool kit	●	●
			Rechargeable take-out flashlight in glovebox	●	●

⁷ Requires power-adjustable front seats or Premium Package.

⁸ Not available with multi-function controls.

⁹ Not available with M3 Competition Package.

All illustrations and specifications contained in this brochure are based on the latest product information available at the time of printing. BMW reserves the right to make changes at any time, without notice, in colors, materials, equipment, specifications and models. BMW may, subject to legal requirements, determine the Model Year designation of its vehicles. The Model Year designation on any particular model may be longer or shorter than 12 months. Some vehicles pictured may contain non-U.S. equipment. Some models may be shown with optional equipment. While BMW NA makes all reasonable efforts to provide accurate information in this brochure, there is no guarantee or warranty of accuracy. Furthermore, we do not assume any liability for the accuracy or completeness of information presented. This brochure shall not be used or relied upon as a substitute for information that is available from your BMW center. Further information can be obtained from your authorized BMW center or bmwusa.com.

Equipment | Standard and Optional

Instrumentation and controls	M3 Coupe	M3 Convertible	BMW Maintenance Program	M3 Coupe	M3 Convertible
M-design instrument cluster featuring titanium-finish-ringed instrument dials with gray backgrounds and red needles	●	●	BMW Full Maintenance ¹²	●	●
Service Interval Indicator with miles-to-service display	●	●	Premium Package¹¹		
Check Control vehicle monitoring system	●	●	Power, glass 2-way moonroof with remote, one-touch operation and sliding interior sunshade; power-adjustable front seats with 3-setting memory system for driver's seat and outside mirrors; Nappa leather interior; BMW Assist	○	
Oil temperature gauge	●	●	M3 Competition Package		
Variable Warning Tachometer	●	●	Large compound brakes with cross-drilled rotors (13.6" front), more direct steering ratio (14.5:1), forged lightweight alloy wheels, 19 x 8.0 front, 19 x 9.5 rear; 225/40R-19 front and 255/35R-19 rear performance tires, ¹³ Competition Package Aluminum interior trim, Alcantara-covered steering wheel with M Track Mode (for DSC) button, ¹⁴ Alcantara-covered handbrake grip	□	
External temperature display	●	●	Cold Weather Package		
On-board computer	●	●	3-stage heated front seats, high-pressure liquid headlight cleaning system, ski bag	○	○
On-board navigation system (available with in-dash CD player)	○	○	Accessories¹⁵		
Safety and security			BMW cellular telephone	△	△
Driver's and passenger's front airbag supplemental restraint system (SRS) with "smart" dual-stage and dual-threshold deployment, and sensor to help prevent unnecessary passenger's airbag deployment	●	●	6-disc CD changer	△	△
Head Protection System (HPS)	●		SIRIUS Satellite Radio	△	△
Front-door-mounted side-impact airbags	●	●	iPod Seamless Integrated System	△	△
Adaptive Brake Lights	●	●			
Rollover Protection System		●			
Automatic front safety belt pretensioners and force limiters	●	●			
Manual height adjustment for front safety belts	●				
Seat-integrated front safety belts		●			
Child seat automatic safety belt locking device	●	●			
Interlocking door anchoring system to help protect against door intrusion in side impacts	●	●			
Central locking system (leaves gas filler door unlocked) and double-lock feature	●	●			
Coded Driveaway Protection (prevents engine start when your key, with constantly changing electronic code, is not used)	●	●			
Crash sensor that automatically turns on hazard lights, interior lights and unlocks doors	●	●			
Battery Safety Terminal	●	●			
Automatic fuel cut-off, triggered by airbag deployment	●	●			
M Mobility System (includes lifetime BMW Roadside Assistance for tire assistance)	●	●			
BMW Assist	○ ¹¹ /★ ¹¹	●			
BLUETOOTH® wireless communications system	○ ¹¹ /★ ¹¹	●			

● = Standard

○ = Optional

★ = Included in optional Premium Package

□ = Included in optional Performance Package

△ = BMW center-installed accessory

¹¹ Must be ordered with optional on-board navigation system with M3 Competition Package.

¹² Full Maintenance Program covers all factory-recommended maintenance, as determined by the Service Interval Indicator for 4 years or 50,000 miles, whichever comes first. Full Maintenance Program includes items that need replacement due to normal wear and tear, provided wear and tear exceeds BMW specifications. This includes items such as brake pads, brake rotors and wiper blades that are not covered by the original New Vehicle Limited Warranty. Any adjustments required due to normal operating conditions are also included. For exclusions and limitations, refer to the Service and Warranty Information booklet that came with your new BMW, or see your authorized BMW center for details.

¹³ Due to low-profile tires, please note: wheels, tires and suspension parts are more susceptible to road hazard and consequential damages. Performance tires not recommended for driving in ice and snow.

¹⁴ M Track Mode is a less intrusive mode for DSC. Drivers should exercise caution while driving with M Track Mode. Regular DSC mode is still available. Not available with cruise or multi-function steering wheel controls. Note: Please drive safely, observe all traffic and speed limit postings and always wear safety belts.

¹⁵ Aftersales items. Please see your authorized BMW center for additional information.

Technical Data

Weight		M3 Coupe	M3 Coupe w/Competition Package	M3 Convertible
Unladen	lbs	3415	3415	3781
Weight distribution, front/rear	%	50.3/49.7	50.3/49.7	49.9/50.1
Engine				
Liters/type/valves		3.2/inline 6/24	3.2/inline 6/24	3.2/inline 6/24
Displacement	cu cm	3246	3246	3246
Bore/stroke	in	3.43/3.58	3.43/3.58	3.43/3.58
Nominal output/rpm	hp	333/7900	333/7900	333/7900
Max torque/rpm	lb-ft	262/4900	262/4900	262/4900
Fuel grade		Premium unleaded	Premium unleaded	Premium unleaded
Brakes				
Front/rear	in	12.8/12.9	13.6/12.9	12.8/12.9
Wheels				
Tire dimensions (performance tires ¹)	front rear	225/45R-18 255/40R-18	225/40R-19 255/35R-19	225/45R-18 255/40R-18
Wheel dimensions	front/rear	18 x 8.0/18 x 9.0	19 x 8.0/19 x 9.5	18 x 8.0/18 x 9.0
Material		Light cast alloy	Forged lightweight alloy	Light cast alloy
Transmission				
Manual gear ratios				
III/III	:1	4.23/2.53/1.67	4.23/2.53/1.67	4.23/2.53/1.67
IV/V/VI/R	:1	1.23/1.00/0.83/3.75	1.23/1.00/0.83/3.75	1.23/1.00/0.83/3.75
Final drive ratio	:1	3.64	3.64	3.64
SMG gear ratios				
III/III	:1	4.23/2.53/1.67	4.23/2.53/1.67	4.23/2.53/1.67
IV/V/VI/R	:1	1.23/1.00/0.83/3.75	1.23/1.00/0.83/3.75	1.23/1.00/0.83/3.75
Final drive ratio	:1	3.64	3.64	3.64
Performance				
Drag coefficient	C _d	0.33	0.33	0.35
Top speed ²	mph	155	155	155
Acceleration 0-60 mph	sec	4.8 ³	4.8 ³	5.4 ⁴
Fuel Consumption⁵				
6-speed manual transmission				
City	mpg	16	16	16
Highway	mpg	24	24	23
6-speed SMG transmission				
City	mpg	16	16	16
Highway	mpg	23	23	22

¹ Due to low-profile tires, please note: wheels, tires and suspension parts are more susceptible to road hazard and consequential damages. Performance tires not recommended for driving in ice and snow.

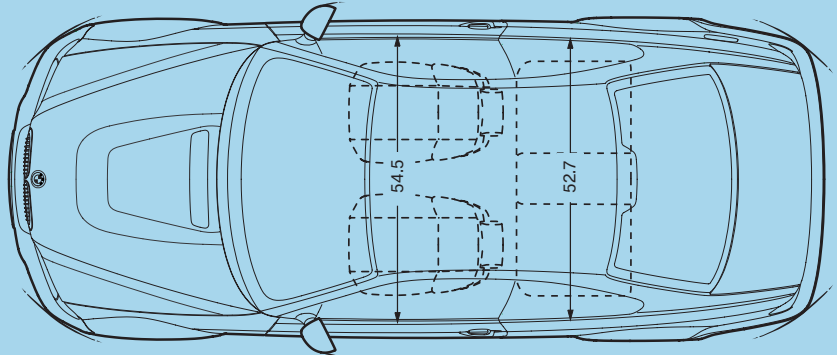
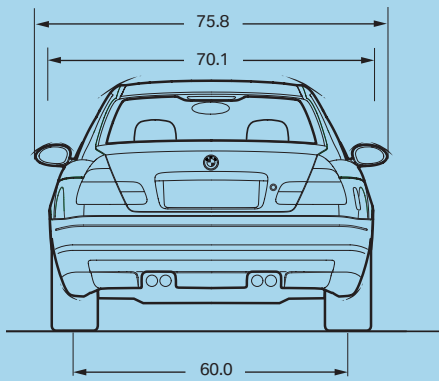
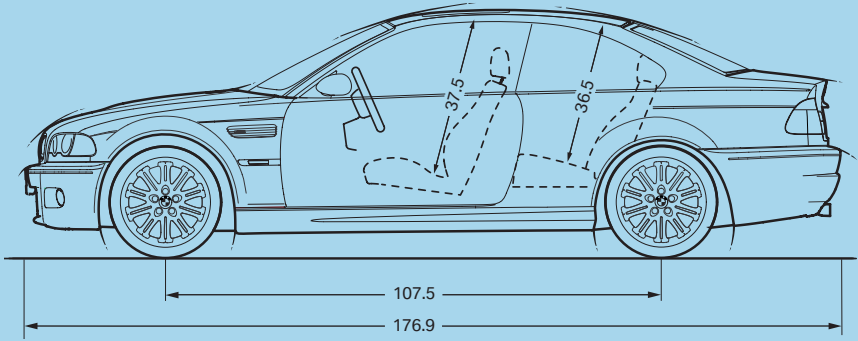
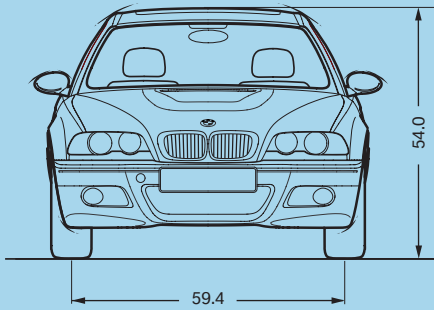
² Top speed limited electronically.

³ BMW of North America, LLC test results.

⁴ BMW AG test results. Actual acceleration results may vary, depending on specification of vehicle; road and environmental conditions; testing procedures and driving style. These results should be used for comparison only and verification should not be attempted on public roads. **BMW urges you to obey all posted speed laws and always wear safety belts.**

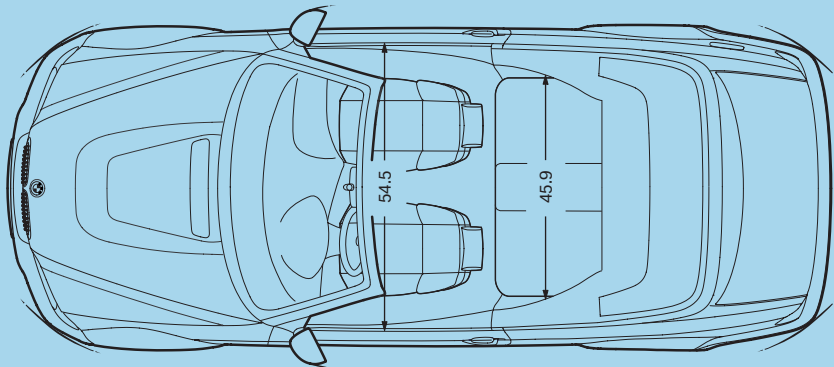
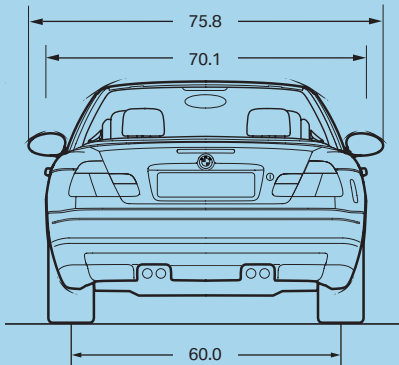
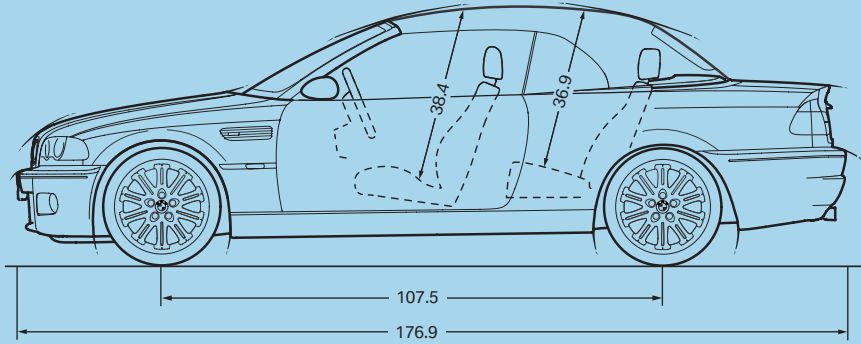
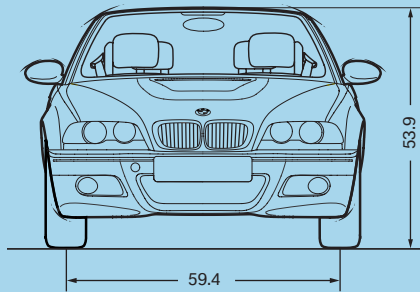
⁵ EPA-estimated figures are for comparison purposes only. Your actual mileage will vary, depending on speed, driving habits, trip length and driving conditions; actual mileage will most likely be lower.

M3 Coupe



All illustration dimensions shown in inches.

M3 Convertible



All illustration dimensions shown in inches.

U.S. Importer: BMW of North America, LLC, Woodcliff Lake, NJ 07677. All illustrations and specifications contained in this brochure are based on the latest product information available at the time of printing. BMW reserves the right to make changes at any time, without notice, in colors, materials, equipment, specifications and models. BMW may, subject to legal requirements, determine the Model Year designation of its vehicles. The Model Year designation on any particular model may be longer or shorter than 12 months. Some vehicles pictured may contain non-U.S. equipment. Some models may be shown with optional equipment. While BMW NA makes all reasonable efforts to provide accurate information in this brochure, there is no

guarantee or warranty of accuracy. Furthermore, we do not assume any liability for the accuracy or completeness of information presented. This brochure shall not be used or relied upon as a substitute for information that is available from your BMW center. Further information can be obtained from your authorized BMW center or bmwusa.com.

©2005 BMW AG, Munich/Germany. Not to be reproduced wholly or in part without written permission of BMW AG, Munich. The BMW name and logo are registered trademarks.