

The all-new 2007
BMW 3 Series
Coupe



The Ultimate
Driving Machine®

328i
328xi
335i



**BMW introduces a revolution in power.
The all-new 3 Series Coupe for 2007.**





**BMW's take
on freedom of
expression.**

**It will take you from 0 – 60 in 5.3 seconds.¹
It will thrill you even faster.**

¹335i with manual transmission; 5.5 seconds, STEPTRONIC automatic transmission.
BMW AG test results. Obey local speed laws and always wear safety belts.





**Designed to take your breath away.
Even before you drive it.**



The 3 Series Coupe cockpit: your power connection with the road.

The best way to experience adrenaline-charged performance: in comfort.



■ Standard equipment

□ Optional equipment



■ **Xenon Adaptive Headlights** provide brilliant clarity of the road ahead and to the side at night and in conditions with poor visibility. The dynamic auto-leveling feature adjusts for varying passenger and cargo loads, helping to keep headlight glare out of the eyes of oncoming drivers. BMW Adaptive Headlights provide optimum road illumination around corners, thanks to an electromechanical control system that directs the headlights into and around the bend as soon as the vehicle begins cornering. The Corona light-rings that circle both headlights and high beams also act separately as Daytime Running Lights¹ and parking lights.

¹ See your authorized BMW center to program your Daytime Running Lights.



■ **Halogen free-form foglights**, integrated into the deep front spoiler, enhance your margin of safety in bad visibility. Ellipsoid free-form technology ensures even light distribution on the road.



■ **Adaptive Brake Lights** increase vehicle visibility and signal the intensity of your braking action.



■ BMW's **distinctive front kidney-shaped grille** features a chrome surround and vertical slats on all 3 Series Coupes.



■ **Roof rail clips and grooves** are designed for the BMW Accessory roof rail system, holding it perfectly in place.

■ Standard equipment

□ Optional equipment



□ **Star Spoke (Style 189) light-alloy wheels and run-flat¹ performance tires.²** In front: 18 x 8.0 wheels and 225/40R-18 tires; in back: 18 x 8.5 wheels and 255/35R-18 tires.³ (included in 335i Sport Package)



■ **17 x 8.0 Star Spoke (Style 157) light-alloy wheels with 225/45R-17 run-flat¹ all-season tires.** (std. on 328i/328xi)



■ / □ **17 x 8.0 Star Spoke (Style 185) light-alloy wheels with 225/45R-17 run-flat¹ all-season tires.** (std. on 335i; included in 328xi Sport Package)



□ **Cross Spoke (Style 197) light-alloy wheels and run-flat¹ performance tires.²** In front: 18 x 8.0 wheels and 225/40R-18 tires; in back: 18 x 8.5 wheels and 255/35R-18 tires.³ (included in 328i Sport Package; opt. on 328xi, requires optional Sport Package)

¹Run-flat tires do not come equipped with a spare tire.

²Performance tires not recommended for driving in ice and snow.

³Due to low-profile tires, wheels, tires and suspension parts are more susceptible to road hazard and consequential damages.

Colors

Combinations

Materials	Leatherette ¹		Dakota Leather ²				
	Cream Beige	Black	Cream Beige	Gray	Coral Red/Black	Saddle Brown/Black	Black
Upholstery color							
Exterior colors							
Non-metallic 300 Alpine White		•	•	•	•	•	•
Non-metallic A61 Crimson Red ³		•	•	•	•	•	•
Non-metallic 668 Jet Black		•	•	•	•	•	•
Metallic⁴ 354 Titanium Silver		•	•	•	•	•	•
Metallic⁴ A53 Platinum Bronze ⁵		•	•	•	•	•	•
Metallic⁴ A34 Arctic		•	•	•	•	•	•
Metallic⁴ A52 Space Gray		•	•	•	•	•	•
Metallic⁴ A22 Sparkling Graphite		•	•	•	•	•	•
Metallic⁴ A51 Montego Blue ³		•	•	•	•	•	•
Metallic⁴ A35 Monaco Blue		•	•	•	•	•	•
Metallic⁴ A43 Deep Green		•	•	•	•	•	•
Metallic⁴ 475 Black Sapphire		•	•	•	•	•	•
Interior trims							
4AB Dark Burl Walnut Wood ⁶							
4AC Light Poplar Natural Wood ⁷							
4AS Gray Poplar Wood ⁷							
4AD Brushed Aluminum ⁷							

¹Leatherette upholstery: Standard in 328i/328xi and 335i.

²Leather upholstery: Optional, and included in optional 328i/328xi and 335i Premium Packages.

³Availability delayed until September 2006 production.

⁴Metallic exterior paint is optional.

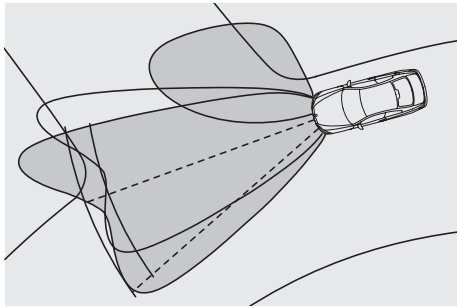
⁵Availability delayed until December 2006 production.

⁶Dark Burl Walnut Wood trim: Standard in 328i/328xi and 335i.

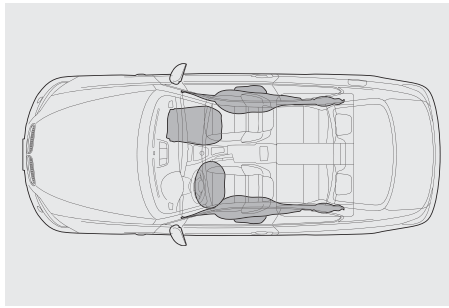
⁷Light Poplar Natural Wood trim, Gray Poplar Wood trim, and Brushed Aluminum trim: No-cost options in 328i/328xi and 335i.

■ Standard equipment

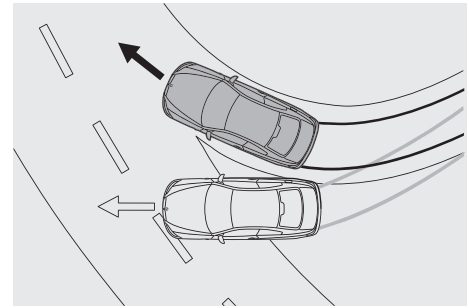
□ Optional equipment



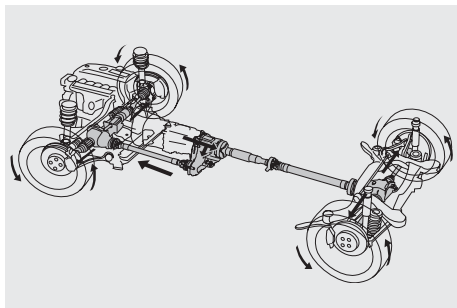
Xenon Adaptive Headlights illuminate the road ahead and to the side with brilliant clarity; Xenon headlights also have a dynamic auto-leveling feature. **BMW Adaptive Headlights** illuminate the road around corners by directing the headlights into and through the bend, as soon as the vehicle begins cornering.



Six airbags, part of BMW's Advanced Crash Safety Management system, include "smart" dual-stage, dual-threshold front airbags that deploy at different forces, depending upon whether or not safety belts are worn; front-to-rear Head Protection System curtain-type airbags; and front-seat-mounted side-impact airbags.



Dynamic Stability Control (DSC) with Dynamic Traction Control (DTC) features Brake Drying, Brake Stand-by, Brake Fade Compensation and Start-off Assistant. DSC is a braking control system that, when it senses an impending skid, helps to stabilize the 3 Series Coupe in just milliseconds. For sportier driving or in deep snow, the DTC system allows increased wheel slip.



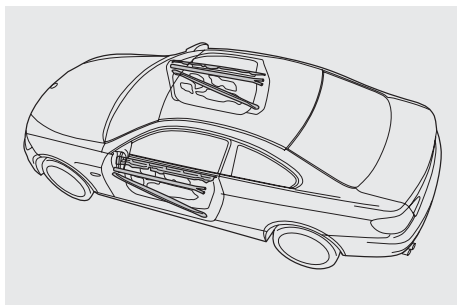
xDrive all-wheel drive system monitors readings from the DSC sensors and the gas pedal to determine if over- or understeer is occurring. This data is then used to continually vary power distribution between the front and rear axles, ensuring agile, neutral and forgiving handling at all times. (standard in 328xi; not available in 328i or 335i)



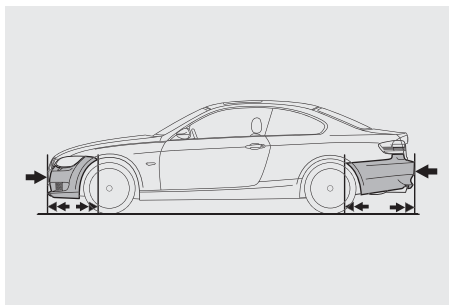
BMW restraint system for the driver and front passenger consists of a three-point safety belt, safety belt pretensioner and force limiter, all working in tandem for optimal protection in the event of an impact.



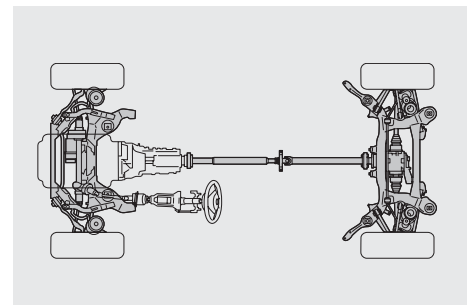
Run-flat tires allow speeds of up to 50 mph and travel up to 150 miles after a loss of air pressure. In situations that would normally result in a flat, reinforced sidewalls help prevent the tires from collapsing or loosening from the rim.



BMW's door-anchoring system includes a reinforcing bar with a hook-like member within each door. In a severe side impact, the reinforcing bar hooks the door to the body, locking them together to make a more rigid passenger cell. When the pressure is released, the anchoring system is designed to snap back so that the doors can open.



Impact-absorbing bumpers and compressible "crush tubes" front and rear help absorb the force of impact in collisions up to nine mph, helping to minimize damage to the vehicle's body and simplifying repairs. Only at higher impact speeds do structural supports begin to deform, dissipating impact energy to help protect occupants.



Innovative chassis is constructed using the latest technology in steel production. Using a stronger steel than before for the chassis results in a smoother ride, remarkable handling and enhanced active and passive safety.

Equipment

Performance and efficiency	328i	328xi	335i
3.0-liter dual overhead cam (DOHC), 24-valve inline 230-horsepower 6-cylinder engine with composite magnesium/aluminum engine block, Valvetronic, and Double-VANOS steplessly variable valve timing	●	●	
3.0-liter dual overhead cam (DOHC), 24-valve inline turbocharged 300-horsepower 6-cylinder engine with twin-turbo technology and Double-VANOS steplessly variable valve timing			●
Electronic throttle control	●	●	●
6-speed manual transmission	●	●	●
6-speed STEPTRONIC automatic transmission with Adaptive Transmission Control	○	○	○
Steering wheel-mounted paddle shifters ¹			□

Handling, ride and braking	328i	328xi	335i
Dynamic Stability Control (DSC), including Brake Fade Compensation, Start-off Assistant, Brake Drying, and Brake Stand-by features, with Dynamic Traction Control (DTC)	●	●	●
Extensive aluminum componentry, including front suspension components (forged-aluminum lower arms, steering knuckle); subframe; steering rack; and brake components	●		●
Double-pivot type front and five-link rear suspension	●	●	●
xDrive all-wheel-drive system		●	
Front and rear anti-roll (stabilizer) bars	●	●	●
Twin-tube gas-pressure shock absorbers	●	●	●
Sport suspension calibration	●		●
4-wheel ventilated anti-lock disc brakes with Dynamic Brake Control (DBC)	●	●	●
Engine-speed-sensitive, variable-assist power steering	●	●	●
Active Steering with Servotronic power assist	○		○

- Standard
- Optional
- Included in Sport Package
- ◇ Included in Premium Package
- ★ Included in Cold Weather Package

¹ Requires optional STEPTRONIC automatic transmission.

Equipment

Exterior	328i	328xi	335i
17 x 8.0 Star Spoke (Style 157) light-alloy wheels, 225/45R-17 run-flat ² all-season tires	●	●	
17 x 8.0 Star Spoke (Style 185) light-alloy wheels, 225/45R-17 run-flat ² all-season tires		□	●
Cross Spoke (Style 197) light-alloy wheels, 18 x 8.0 front, 18 x 8.5 rear; 225/40R-18 front, 255/35R-18 rear run-flat ² performance tires ³	□	○ ⁴	
Star Spoke (Style 189) light-alloy wheels, 18 x 8.0 front, 18 x 8.5 rear; 225/40R-18 front, 255/35R-18 rear run-flat ² performance tires ³			□
Tire Pressure Monitor	●	●	●
Xenon Adaptive Headlights with auto-leveling	●	●	●
Halogen free-form front foglights	●	●	●
Retractable, high-intensity headlight washers	★	●	★
Heated dual power mirrors and heated windshield washer jets	●	●	●
Metallic paint	○	○	○

Interior seating	328i	328xi	335i
8-way adjustable driver's seat and 6-way adjustable front passenger's seat (includes 2-way headrests)	●	●	
8-way power front seats with 2-way manual headrests and driver memory with 2 pre-sets for seat and exterior mirror positions	○/◇	○/◇	●
8-way manual front sport seats with adjustable side bolsters, 2-way manual headrests and thigh support	□	□	
8-way power front sport seats with adjustable side bolsters, 2-way manual headrests and thigh support; driver memory for seat and exterior mirror positions	□ ⁵	□ ⁵	□
4-way adjustable power lumbar support for front seats	◇	◇	◇
Leatherette upholstery	●	●	●
Dakota Leather upholstery	○/◇	○/◇	○/◇
3-stage heated front seats	○/★	○/★	○/★
3-spoke leather-wrapped multi-function sport steering wheel with audio and hands-free phone ⁶ controls	●	●	●
Front seatback storage nets	●	●	●
Split fold-down rear seats	●	●	●
Ski bag	★	★	★

² Run-flat tires do not come equipped with spare tire.

³ Performance tires are not recommended for driving in snow and ice. Due to low-profile tires, please note: wheels, tires and suspension parts are more susceptible to road hazard and consequential damages.

⁴ Sport Package required.

⁵ Optional power seats or Premium Package required.

⁶ If equipped with optional Premium Package or BMW Assist™ Safety Services with Bluetooth® wireless technology.

Equipment

Comfort and convenience	328i	328xi	335i
Engine Start/Stop button	●	●	●
Comfort Access keyless entry with multi-function remote control	○	○	○
Automatic climate control – includes micro-filter, automatic air recirculation, left/right temperature control, temperature- and volume-controlled rear outlets, windshield misting sensor, maximum air conditioning, heat at rest, and recall of individual user settings	●	●	●
2-way power glass moonroof with “one-touch” operation, sliding interior sunshade, and wind deflector	●	●	●
Retractable door storage pockets with covers	●	●	●
Front-seat center armrest with climate-controlled storage compartment	●	●	●
Front passenger cupholders (dashboard-integrated)	●	●	●
Rear seat with fold-down center armrest with dual cupholders, and storage bin with retractable cover	●	●	●
Tilt/telescopic steering wheel column	●	●	●
Park Distance Control (PDC) (rear only)	○	○	○
Interior and power-adjustable folding exterior mirrors with automatic-dimming function; digital interior mirror compass	◇	◇	◇
Power front windows with “one-touch” up/down operation	●	●	●
Power rear sunshade	○	○	○
Dynamic Cruise Control	●	●	●
Active Cruise Control	○	○	○
BMW Ambiance interior lighting along doors and side of rear cabin	●	●	●
Courtesy lights – include fade in/fade out, actuation from remote, automatic switch-on when engine is turned off, separately controlled left/right front and rear reading lights, front footwell lighting, and illuminated vanity mirrors	●	●	●
Ground lighting located in bottom of exterior door handles	●	●	●
Automatic safety belt assistant	●	●	●
Locking glovebox	●	●	●
Electric interior trunk release	●	●	●
Rain-sensing windshield wipers and Automatic headlight control	●	●	●
Integrated 3-button Universal garage-door opener	◇	◇	◇
Pre-wiring for BMW center installation of mobile phone, alarm system	●	●	●

Audio system	328i	328xi	335i
Anti-theft AM/FM stereo CD/MP3 player audio system with 10 speakers (including 2 subwoofers), Radio Data System (RDS), Auto-Store and 3-channel FM diversity antenna; displays MP3 song title and artist	●	●	
Logic7 Surround Sound anti-theft AM/FM stereo CD/MP3 player audio system with 13 upgraded speakers (including 2 subwoofers), Digital Sound Processing (DSP), Radio Data System (RDS), Auto-Store and 3-channel FM diversity antenna; displays MP3 song title and artist	○	○	●
Auxiliary audio input for portable music players located in the center armrest	●	●	●
Pre-wiring for BMW center installation of 6-disc CD/MP3 changer, satellite radio	●	●	●
SIRIUS Satellite Radio ⁷	○/△	○/△	○/△
iPod adapter	△	△	△

- Standard
- Optional
- ◇ Included in Premium Package
- △ BMW center-installed accessory

⁷Please visit your authorized BMW center for details.

Equipment

Instrumentation and controls	328i	328xi	335i
Service Interval Indicator with miles-to-service readout	●	●	●
Check Control vehicle monitor system with pictogram display, oil status display, and Condition Based Service indicator	●	●	●
On-board computer with Check Control – provides feedback on the vehicle's operating status: oil level indicator and distance to next service appointment/oil change, as well as other detailed information, such as spark plug and micro-filter status. It also provides travel information – travel range on remaining fuel, external temperature, and more	●	●	●
On-board navigation system with 16:9 screen and Voice Command system; iDrive system with high-function on-board computer and controller; includes Real Time Traffic Information feature ⁸	○	○	○

Safety and security	328i	328xi	335i
Anti-lock braking system (ABS)	●	●	●
Adaptive Brake Lights	●	●	●
MRS5 centralized safety control system	●	●	●
Front and rear Head Protection System (HPS)	●	●	●
Automatic safety belt pretensioners in front outboard seating position	●	●	●
Driver's and passenger's front airbag supplemental restraint system (SRS) with "smart" dual-threshold, dual-stage deployment and sensor to help prevent unnecessary passenger's airbag deployment	●	●	●
Seat-mounted front side-impact airbags	●	●	●
Front passenger seat-occupation recognition with Passenger's Airbag Off indicator	●	●	●
Interlocking door anchoring system to help protect against door intrusion in side impacts	●	●	●
Central locking system with center console switch (leaves gas filler door unlocked), double-lock feature and 2-step unlocking	●	●	●
Coded Driveaway Protection	●	●	●
Automatic-locking retractors (ALR) on all passenger safety belts for installation of child-restraint seat	●	●	●
LATCH attachments on child-restraint safety installation	●	●	●
Crash sensor that automatically turns on hazard lights and interior lights, and unlocks doors	●	●	●
Programmable daytime running lights	●	●	●
Fiber-optics-based MOST-BUS architecture for safety systems	●	●	●
BMW Assist ^{TM9} with Bluetooth [®] wireless technology for hands-free calling (with Bluetooth enabled mobile phone ¹⁰), phonebook downloading and speech recognition capabilities	○/◇	○/◇	○/◇

BMW Services	328i	328ix	335i
BMW Ultimate Service ¹¹	●	●	●

⁸ Availability delayed until September 2006 production.

⁹ See page 64 for details on standard and optional services.

¹⁰ Please contact your authorized BMW center for a list of BMW-approved compatible Bluetooth[®] technology enabled mobile phones.

¹¹ For full details on BMW Ultimate Service, including exclusions and limitations, see page 64.

Equipment

Premium Package	328i	328xi	335i
8-way power front seats with 2-way manual headrests and driver memory with 2 pre-sets for seat and exterior mirror positions	○/◇	○/◇	●
4-way adjustable power lumbar support for front seats	◇	◇	◇
Dakota Leather upholstery	○/◇	○/◇	○/◇
Interior and power-adjustable folding exterior mirrors with automatic-dimming function; digital interior mirror compass	◇	◇	◇
Integrated 3-button Universal garage-door opener	◇	◇	◇
BMW Assist™ ¹² with Bluetooth® wireless technology for hands-free calling (with Bluetooth enabled mobile phone ¹³), phonebook downloading and speech recognition capabilities	○/◇	○/◇	○/◇

Sport Package	328i	328xi	335i
Steering wheel-mounted paddle shifters ¹⁴			□
17 x 8.0 Star Spoke (Style 185) light-alloy wheels, 225/45R-17 run-flat ¹⁵ all-season tires		□	●
Cross Spoke (Style 197) light-alloy wheels, 18 x 8.0 front, 18 x 8.5 rear; 225/40R-18 front, 255/35R-18 rear run-flat ¹⁵ performance tires ¹⁶	□	○ ¹⁷	
Star Spoke (Style 189) light-alloy wheels, 18 x 8.0 front, 18 x 8.5 rear; 225/40R-18 front, 255/35R-18 rear run-flat ¹⁵ performance tires ¹⁶			□
8-way manual front sport seats with adjustable side bolsters, 2-way manual headrests and thigh support	□	□	
8-way power front sport seats with adjustable side bolsters, 2-way manual headrests and thigh support; driver memory for seat and exterior mirror positions.	□ ¹⁸	□ ¹⁸	□

Cold Weather Package	328i	328xi	335i
Retractable, high-intensity headlight washers	★	●	★
3-stage heated front seats	○/★	○/★	○/★
Ski bag	★	★	★

- Standard
- Optional
- Included in Sport Package
- ◇ Included in Premium Package
- ★ Included in Cold Weather Package

¹² See page 64 for details on standard and optional services.
¹³ Please contact your authorized BMW center for a list of BMW-approved Bluetooth® technology enabled mobile phones.
¹⁴ Requires optional STEPTRONIC automatic transmission.
¹⁵ Run-flat tires do not come equipped with spare tire.
¹⁶ Performance tires are not recommended for driving in snow and ice. Due to low-profile tires, please note: wheels, tires and suspension parts are more susceptible to road hazard and consequential damages.
¹⁷ Sport Package required.
¹⁸ Optional power seats or Premium Package required.

Equipment

Stand-alone Optional Equipment	328i	328xi	335i
Dakota Leather upholstery	○	○	○
Metallic paint	○	○	○
Cross Spoke (Style 197) light-alloy wheels, 18 x 8.0 front, 18 x 8.5 rear; 225/40R-18 front, 255/35R-18 rear run-flat ¹⁵ performance tires ¹⁶		○ ¹⁹	
Light Poplar Natural Wood ²⁰	○	○	○
Brushed Aluminum ²⁰	○	○	○
Gray Poplar Wood ²⁰	○	○	○
6-speed STEPTRONIC automatic transmission	○	○	○
Active Steering with Servotronic power assist	○		○
Comfort Access keyless entry	○	○	○
Power rear sunshade	○	○	○
8-way power front seats	○	○	●
3-stage heated front seats	○	○	○
Park Distance Control (PDC) (rear only)	○	○	○
Active Cruise Control	○	○	○
On-board navigation system with 16:9 screen and Voice Command system; iDrive system with high-function on-board computer and controller; includes Real Time Traffic Information feature ²¹	○	○	○
BMW Assist ^{TM12} with Bluetooth [®] wireless technology for hands-free calling (with Bluetooth enabled mobile phone ¹³), phonebook downloading and speech recognition capabilities	○	○	○
SIRIUS Satellite Radio	○	○	○
Logic7 Surround Sound audio system	○	○	●

¹⁹ Sport Package required.

²⁰ No-cost option.

²¹ Availability delayed until September 2006 production.

Technical data

Weight		328i	328xi	335i
Unladen	lbs	3351 (3417)	3582 (3627)	3571 (3582)
Weight distribution, front/rear				
Manual transmission	%	50.3/49.7	52.9/47.1	51.2/48.8
Automatic transmission	%	50.6/49.4	52.9/47.1	51.4/48.6

Engine		328i	328xi	335i
Liter/type/valves per cylinder		3.0/inline 6/4	3.0/inline 6/4	Turbocharged 3.0/inline 6/4
Bore/stroke	inch	3.35/3.46	3.35/3.46	3.31/3.53
Nominal output/rpm	hp	230/6500	230/6500	300/5800
Maximum torque/rpm	lb-ft	200/2750	200/2750	300/1400-5000
Compression ratio	:1	10.7	10.7	10.2
Fuel grade		Unleaded premium	Unleaded premium	Unleaded premium

Transmission		328i	328xi	335i
Manual gear ratios				
I/II	:1	4.32/2.46	4.35/2.50	4.06/2.40
III/IV	:1	1.66/1.23	1.66/1.23	1.58/1.19
V/VI/R	:1	1.00/0.85/3.94	1.00/0.85/3.93	1.00/0.87/3.68
Final drive ratio	:1	3.23	3.38	3.08
Automatic gear ratio				
I/II	:1	4.07/2.37	4.07/2.37	4.17/2.34
III/IV	:1	1.55/1.16	1.55/1.16	1.52/1.14
V/VI/R	:1	0.85/0.67/3.20	0.85/0.67/3.20	0.87/0.69/3.40
Final drive ratio	:1	3.73	3.91	3.46

Performance		328i	328xi	335i
Drag coefficient	C_d	0.28	0.28	0.30
Top speed ¹	mph	130 [150]	130 [150]	130 [150]
Acceleration 0-60 mph ²				
Manual transmission	sec	6.2	6.8	5.3
Automatic transmission	sec	(6.8)	(7.0)	(5.5)

Figures in () apply to vehicles with automatic transmission.

Figures in [] apply to vehicles with Sport Package.

¹ Top speed limited electronically.

² BMW AG test results. Actual acceleration results may vary, depending on specification of vehicle; road and environmental conditions; testing procedures and driving style. These results should be used for comparison only and verification should not be attempted on public roads. BMW urges you to obey all posted speed laws and always wear safety belts.

³ EPA-estimated figures are for comparison purposes only. Your actual mileage will vary, depending on speed, driving habits, trip length and driving conditions; actual mileage may be lower.

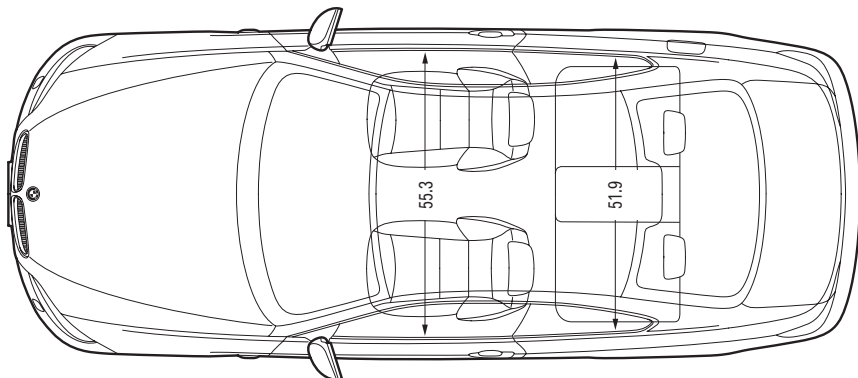
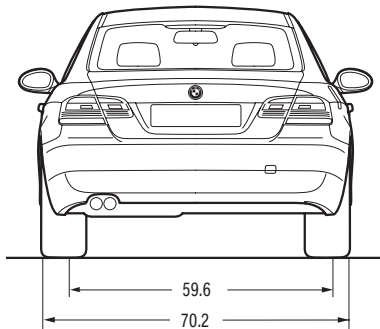
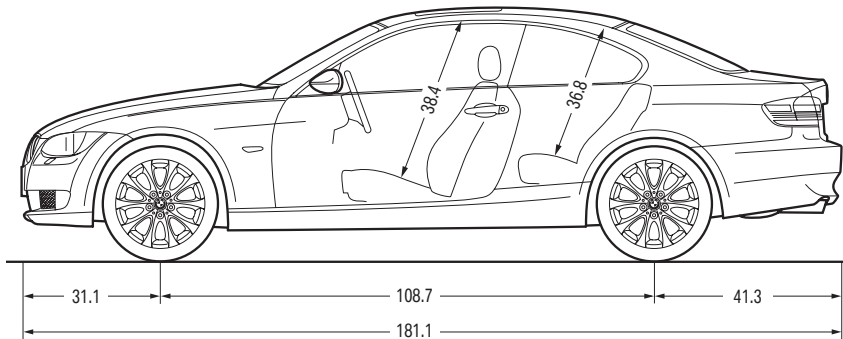
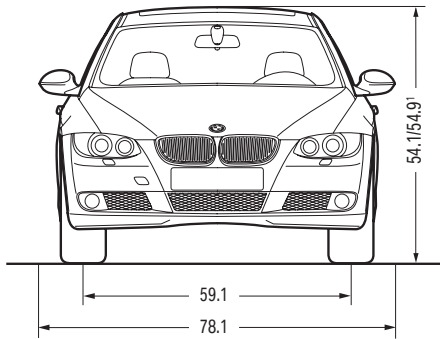
⁴ Fuel consumption figures not available at time of printing. Please go to bmwusa.com for further information.

Technical data

Fuel consumption³		328i	328xi	335i
Manual transmission – City/Highway	mpg	20/30	TBD ⁴ /TBD ⁴	19/28
Automatic transmission – City/Highway	mpg	21/29	TBD ⁴ /TBD ⁴	20/29

Tires and wheels		328i	328xi	335i
Tire dimensions	standard	225/45R-17	225/45R-17	225/45R-17
Wheel dimensions	standard	17 x 8.0	17 x 8.0	17 x 8.0
Material	standard	light-alloy	light-alloy	light-alloy

Brakes		328i	328xi	335i
Front – diameter	inch	11.8	11.8	13.7
Rear – diameter	inch	11.8	11.8	13.2



Illustrations above: all dimensions in inches.

¹54.1 inches – 328i, 335i; 54.9 inches – 328xi.