

The all-new
2008 BMW M3
Convertible



The Ultimate
Driving Machine®



Announcing the arrival of
the hottest performer
under the sun.



Handling that can be adapted to fit every mood.





Warning: Tight corners can become habit-forming.



Mastering any road with breathtaking agility: the brilliant M suspension.



If you're going for
driving pleasure,
go all the way.

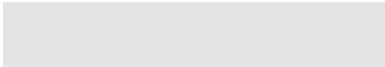
■ Standard equipment

□ Optional equipment

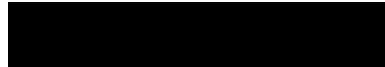
The pages in this section show available colors and materials for the BMW M3 Convertible. Use these samples to compare paint, upholstery, trim colors and combinations. Please note that these samples are representations; they are not exact reproductions. To see the actual colors, visit your local BMW center. They will be happy to show you original samples and assist you with special requests.

Exterior colors

■ **300** Alpine White Non-metallic



■ **668** Jet Black Non-metallic



□ **A29** Silverstone II Metallic



□ **A22** Sparkling Graphite Metallic



□ **A52** Space Gray Metallic



□ **A30** Interlagos Blue Metallic



□ **A75** Melbourne Red Metallic

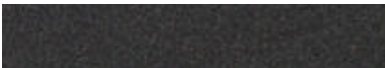


□ **A73** Jerez Black Metallic



Interior trims

■ **771** Titanium Shadow



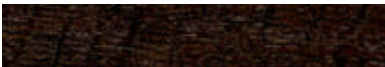
□ **4MX** Blue-gray Brushed Aluminum



□ **4MY** Carbon Leather



□ **4MZ** Sycamore Anthracite Wood



■ Standard equipment

□ Optional equipment

Upholstery colors

■ **NCH1** Silver Novillo Leather



■ **NCH2** Fox Red Novillo Leather



■ **NCH3** Bamboo Beige Novillo Leather



■ **NCSW** Black Novillo Leather



□ **NDH1** Silver Novillo Extended Leather



□ **NDH2** Fox Red Novillo Extended Leather



□ **NDH3** Bamboo Beige Novillo Extended Leather



□ **NDSW** Black Novillo Extended Leather



NOTE: All M3 Convertible leather upholstery includes Sun-Reflective Technology.

Performance and efficiency	M3 Convertible
4.0-liter 32-valve 414-hp V-8 engine with M Double-VANOS "steplessly" variable valve timing	●
8 individual throttles, electronically controlled (drive-by-wire)	●
Digital Motor Electronics (DME) with on-board diagnostics	●
Oil coolant heat exchanger	●
Distributorless electronic ignition system	●
3-way catalytic converter with heated oxygen sensor	●
6-speed manual transmission with additional oil cooler and heavy-duty dual-disc clutch	●
7-speed M DCT Double-Clutch transmission with Drivelogic	○

Handling, ride and braking	
Dynamic Stability Control (DSC)	●
All Season Traction with Variable M Differential Lock	●
Electronic Damping Control with Comfort, Normal and Sport modes	○ / ■
Vehicle-speed-sensitive variable-assist power steering (M Servotronic)	●
M Drive with M Dynamic Mode (MDM)	■
M suspension with twin-joint spring-strut front axle, subframe, front axle tie-rod and stiffening plate in aluminum, rear axle subframe in steel, track control arm and spring strut in aluminum and lightweight steel construction	●
Gas-pressurized front struts and rear shock absorbers	●
4-wheel BMW M vacuum-assisted ventilated, cross-drilled compound disc brakes with floating brake rotors	●
High-performance-tuned anti-lock braking system (ABS) with Dynamic Brake Control	●
<p>● Standard ○ Optional ◇ Included in Premium Package ★ Included in Cold Weather Package ■ Included in Technology Package</p>	

Exterior and aerodynamics	M3 Convertible
M-style alloy wheels (Style 219M) with Satin Chrome finish, 18 x 8.5 front, 18 x 9.5 rear; 245/40 front and 265/40 rear performance tires ¹	●
M Double Spoke (Style 220M) polished and forged light alloy wheels, 19 x 8.5 front, 19 x 9.5 rear; 245/35 front and 265/35 rear performance tires ¹	○
Power-folding retractable hardtop with integrated rear-window defroster	●
Xenon Adaptive low- and high-beam headlights with auto-leveling and Cornering Lights function	●
Aluminum hood with powerdome	●
Flared front and rear fenders, including wheel arches; vent gills in front fenders with integrated indicator and M3 logo	●
Front spoiler	●
M rear apron with diffuser	●
Flat-paneled underbody	●
High-Gloss shadowline trim	●
M exterior side-view mirrors in body color with double bridge in black	●
Heated side-view mirrors, windshield washer jets and door locks	●
Power folding mirrors	◇
Rear-view mirror with digital compass	◇
High-pressure liquid retractable headlight cleaning system	★
White turn-signal indicators	●
M quad polished stainless-steel exhaust tips	●
Metallic paint	○

¹ Due to low-profile tires, please note: wheels, tires and suspension parts are more susceptible to road hazard and consequential damages. Performance tires are not recommended for driving in snow and ice. Please note: M3 Convertible is not equipped with a spare tire and wheel. Included is the M Mobility System, which offers lifetime BMW Roadside Assistance for tire assistance.

² Requires optional Navigation system or Technology Package.

³ Please see your authorized BMW center for details. Satellite radio pre-wiring and trunk-mounted antenna can be deleted as a no-cost option.

⁴ Includes 4-year BMW Assist™ Safety Services subscription; please see your authorized BMW center for rules and regulations.

⁵ Please contact your authorized BMW center or visit bmwusa.com for a list of BMW-approved Bluetooth® enabled mobile phones.

Interior seating and trim	M3 Convertible
Novillo Leather upholstery with Sun-Reflective Technology	●
Novillo Extended Leather upholstery with Sun-Reflective Technology	○
Titanium Shadow interior trim	●
Blue-gray Brushed Aluminum interior trim	○/◇
Carbon Leather interior trim	○/◇
Sycamore Anthracite Wood interior trim	○/◇
Power-adjustable front sport seats with 4-way lumbar support, manually adjustable thigh support and memory system for driver's seat and outside mirrors	●
3-stage heated front seats	○/★
Adjustable front armrest	●
Front seatback storage nets	●
Seatback easy-entry feature with memory and 2x-speed power fore-aft control	●
Fold-down rear seats with 2 convenience hooks	●
Through-loading rear seats with ski bag	○/★
Door sills with BMW M3 logo	●

Instrumentation and controls	
Engine Start/Stop button	●
M-design instrument cluster with titanium-finish-ringed instrument dials and red needles	●
Service Interval Indicator with miles-to-service display	●
Check Control vehicle monitoring system	●
Tachometer with variable warning zones and oil temperature display	●
On-board computer with detailed vehicle information, including travel range on remaining fuel, external temperature (including freezing temperature warning)	●
M Dynamic Mode (MDM) for accessing and designating M-specific driving systems	■
Navigation system with 16:9 screen and Voice Command system; iDrive system with on-board computer and Controller; includes Real Time Traffic Information function (where available) and 6 programmable memory keys	○/■
Tire Pressure Monitor	●

Audio	M3 Convertible
AM/FM stereo/CD audio system with 10 speakers, Radio Data System (RDS), Auto-Store, MP3 capability and 3-channel FM diversity antenna system	●
Enhanced Premium Sound audio system with upgraded speakers, amplification, and vehicle-speed-sensitive equalization ²	○
Pre-wiring for accessory BMW cellular phone, 6-disc CD changer, alarm system, auxiliary input and satellite radio ³	●
HD Radio™ – with “multicast” FM station reception	○
SIRIUS Satellite Radio with one-year subscription ³	○
iPod® and USB adaptor (includes cable connector)	○

Safety and security	
Driver's and passenger's front airbag supplemental restraint system (SRS) with advanced technology: dual-threshold, dual-stage deployment; and front-passenger seat sensors designed to prevent unnecessary airbag deployment	●
Front-seat-mounted side-impact airbags	●
BMW's Advanced Safety System for integrated deployment of passive and active safety features	●
Interlocking door anchoring system to help protect against door intrusion in side impacts	●
Bumper system with aluminum impact absorbers at the front, steel impact absorbers at the rear, and front-compressible elements	●
Adaptive Brake Lights	●
Seat-integrated front safety belts	●
Rollover Protection system	●
Automatic front safety-belt pretensioners	●
Child-seat automatic safety-belt locking device in rear seats	●
Central locking system (leaves gas filler door unlocked) and double-lock feature	●
Coded Driveaway Protection (prevents engine start when your key, with constantly changing electronic code, is not used)	●
Crash sensor with automatic door unlocking and hazard light activation; Battery Safety Terminal and automatic fuel cut-off, triggered by airbag deployment	●
M Mobility System (includes lifetime BMW Roadside Assistance for tire assistance)	●
BMW Assist™ ⁴ with Bluetooth ® wireless technology for hands-free calling (requires BMW-approved Bluetooth enabled mobile phone ⁵), phonebook downloading and speech recognition capabilities	○/◇

Comfort and convenience	M3 Convertible
Multi-function remote control	●
Comfort Access keyless entry and engine start-up with multi-function remote control and Comfort Opening and Loading functions	■
Automatic climate control – includes micro-filter, automatic air recirculation, left/right temperature control, temperature- and volume-controlled rear outlets, windshield misting sensor, MAX A/C, heat at rest, and recall of individual user settings	●
Door storage pockets with covers	●
Power windows with “one-touch” up/down operation	●
Rain-sensing windshield wipers with Automatic headlight control	●
Automatic-dimming inside rear-view mirror	●
Automatic tilt-down of passenger’s side-view mirror when vehicle is shifted into reverse gear	●
3-spoke, leather-wrapped multi-function M sport steering wheel with audio and (accessory) phone controls, M color stitching and tilt/telescopic adjustment ⁶	●
Automatic safety-belt assistant	●
BMW Ambiance Lighting front and rear	●
Courtesy lights – include fade in/fade out, actuation from remote, automatic switch-on when engine is turned off, separately controlled left/right front and rear reading lights, front footwell lighting, and illuminated vanity mirrors	●
Dynamic Cruise Control with column-mounted stalk	●
Integrated 3-button Universal garage-door opener	◇
Park Distance Control (rear)	○
Ski bag	★
Vehicle & Key Memory	●
Electric interior trunk release	●
Fully finished trunk	●

BMW Services	
BMW Ultimate Service ^{TM7}	●
<ul style="list-style-type: none"> ● Standard ○ Optional ◇ Included in Premium Package ★ Included in Cold Weather Package ■ Included in Technology Package 	

Premium Package	M3 Convertible
Power folding mirrors	◇
Rear-view mirror with digital compass	◇
Integrated 3-button Universal garage-door opener	◇
Choice of: Blue-gray Brushed Aluminum interior trim Carbon Leather interior trim Sycamore Anthracite Wood interior trim	○/◇
BMW Assist ^{TM8} with Bluetooth [®] wireless technology for hands-free calling (requires BMW-approved Bluetooth enabled mobile phone ⁹), phonebook downloading and speech recognition capabilities	○/◇

Technology Package	
M Drive with M Dynamic Mode (MDM) for accessing and designating M-specific driving systems	■
Electronic Damping Control with Comfort, Normal and Sport modes	○/■
Comfort Access for keyless entry and engine start-up	■
Navigation system with 16:9 screen and Voice Command system; iDrive system with on-board computer and Controller; includes Real Time Traffic Information function (where available) and 6 programmable memory keys	○/■

Cold Weather Package	
3-stage heated front seats	○/★
Through-loading rear seats with ski bag	○/★
High-pressure liquid retractable headlight cleaning system	★

⁶ M Drive button included with multi-function controls with Technology Package option.

⁷ For full details on BMW Ultimate Service, including exclusions and limitations, please see your authorized BMW center.

⁸ Includes 4-year BMW Assist Safety Services subscription; please see your authorized BMW center for rules and regulations.

⁹ Please contact your authorized BMW center or visit bmwusa.com for a list of BMW-approved **Bluetooth** enabled mobile phones.

Technical data		M3 Convertible
Weight		
Unladen weight	lbs	4145

Engine		
Liters/cylinders/valves per cylinder		4.0/V-8/4
Displacement	cu cm	3999
Maximum output/rpm	hp	414/8300
Maximum torque/rpm	lb-ft	295/3900

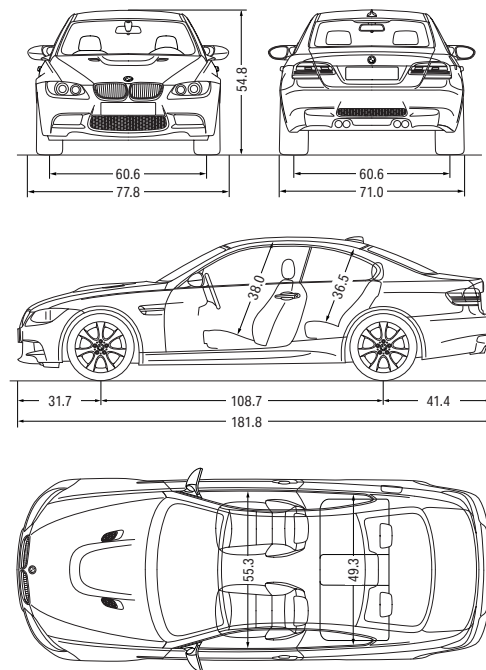
Transmission			
6-speed manual gear ratios	I/II/III	:1	4.06/2.40/1.58
	IV/V/VI/R	:1	1.19/1.00/0.87/3.68
	Final drive ratio	:1	3.85

Performance		
Top speed ¹	mph	155
Acceleration 0-60 mph ²	sec	5.1

Fuel consumption³		
City	mpg	TBD
Highway	mpg	TBD
Tank capacity, approximate	gal	16.6

Wheels		
Tire dimensions (performance tires ⁴)	front	245/40
	rear	265/40
Wheel dimensions, front/rear		8.5 x 18/9.5 x 18

Brakes		
Front ventilated disc – diameter	inch	14.2
Rear ventilated disc – diameter	inch	13.8



All technical drawing dimensions are shown in inches.

¹Top speed limited electronically.

²BMW AG test results. BMW urges you to obey all posted speed laws and always wear safety belts.

³Fuel consumption figures not available at time of printing. Please go to bmwusa.com for further information. EPA-estimated figures are for comparison purposes only. Your actual mileage will vary, depending on speed, driving habits, trip length and driving conditions; actual mileage may be lower.

⁴Due to low-profile tires, please note: wheels, tires and suspension parts are more susceptible to road hazard and consequential damages. Performance tires not recommended for driving in ice and snow conditions.

More about BMW

bmwusa.com
1-800-334-4BMW



The Ultimate
Driving Machine®

U.S. Importer: BMW of North America, LLC, Woodcliff Lake, NJ 07677. All illustrations and specifications contained in this brochure are based on the latest product information available at the time of printing. BMW reserves the right to make changes at any time, without notice, in colors, materials, equipment, specifications and models. BMW may, subject to legal requirements, determine the Model Year designation of its vehicles. The Model Year designation on any particular model may be longer or shorter than 12 months. Some vehicles pictured may contain non-U.S. equipment. Some models may be shown with optional equipment. While BMW NA makes all reasonable efforts to provide accurate information in this brochure, there is no guarantee or warranty of accuracy. Furthermore, we do not assume any liability for the accuracy or completeness of information presented. This brochure shall not be used or relied upon as a substitute for information that is available from your BMW center. Further information can be obtained from your authorized BMW center or bmwusa.com.

©2008 BMW of North America, LLC. Not to be reproduced wholly or in part without written permission of BMW NA. The BMW name, model names and logo are registered trademarks.

The **Bluetooth** word mark and logos are owned by the **Bluetooth SIG, Inc.** and any use of such marks by BMW is under license. iPod is a registered trademark of Apple Inc. Other trademarks and trade names are the property of their respective owners.