

2008 BMW Z4



Roadster 3.0i
Roadster 3.0si
Coupe 3.0si

The Ultimate
Driving Machine®





Today's forecast:
bright, brisk and very cool.

It's expected to produce gusts of exhilaration.



There's no ceiling to the high you'll experience.



Even with the top down it's climate-controlled.



Everything else is a blur.





Be the star of this sports arena.

Recommended color combinations

Materials	Leatherette ¹	High Performance Leather ²			Extended High Performance Leather ³			
	Black	Beige	Dream Red	Black	Beige	Dream Red	Saddle Brown	Black
Exterior colors								
300 Alpine White Non-metallic ⁴	●	◆	●	●	◆	●	●	●
314 Bright Red Non-metallic ⁴	●	◆◆		●	◆◆		●	●
668 Jet Black Non-metallic ⁴	◆◆	◆◆	●	◆◆	◆◆	●	◆◆	◆◆
354 Titanium Silver Metallic ⁵	●	●	●■	●	●	●■	●	●
A52 Space Gray Metallic ⁵	●	●	●■	●	●	●■	●	●
440 Stratus Gray Metallic ⁵	●	◆◆		◆◆	◆◆		●	◆◆
A51 Montego Blue Metallic ⁵	●	◆◆		●	◆◆		●	●
A35 Monaco Blue Metallic ⁵	●	◆◆		●	◆◆		●	●
A43 Deep Green Metallic ⁵	●	◆◆		◆◆	◆◆		●	●
475 Black Sapphire Metallic ⁵	●	◆◆	●	◆◆	◆◆	●	◆◆	◆◆
Interior trim								
4BM Graphite Finish ⁶								
4AD Brushed Aluminum ⁷								
437 Light Poplar Wood ⁸								
438 Dark Poplar Wood ⁹								

¹Leatherette: Standard in Z4 Roadster 3.0i. Not available in Z4 Roadster 3.0si and Z4 Coupe 3.0si.

²High Performance Leather: Standard in Z4 Roadster 3.0si and Z4 Coupe 3.0si. Optional in Z4 Roadster 3.0i.

³Extended High Performance Leather: Optional in Z4 Roadster 3.0si and Z4 Coupe 3.0si. Not available in Z4 Roadster 3.0i.

⁴Non-metallic exterior paint: Standard on Z4 Roadster 3.0i, Z4 Roadster 3.0si and Z4 Coupe 3.0si.

⁵Metallic exterior paint: Optional on Z4 Roadster 3.0i, Z4 Roadster 3.0si and Z4 Coupe 3.0si.

⁶Graphite Finish interior trim: Standard in Z4 Roadster 3.0i with Leatherette upholstery. Not available in Z4 Roadster 3.0si and Z4 Coupe 3.0si.

⁷Brushed Aluminum interior trim: Standard in Z4 Roadster 3.0si and Coupe 3.0si, and in Z4 Roadster 3.0i with optional Leather upholstery. Not available with Leatherette upholstery.

⁸Light Poplar Wood interior trim: Optional in Z4 Roadster 3.0i, Z4 Roadster 3.0si and Z4 Coupe 3.0si. Not available with Leatherette upholstery.

⁹Dark Poplar Wood interior trim: Optional in Z4 Roadster 3.0i, Z4 Roadster 3.0si and Z4 Coupe 3.0si. Not available with Leatherette upholstery.

Z4 Roadster 3.0i and Z4 Roadster 3.0si softtop colors

● 388 Black (Standard)

■ 389 Gray (Optional; requires optional power softtop or Premium Package)

◆ 394 Dark Beige (Optional; requires optional power softtop or Premium Package)

■ Standard equipment

□ Optional equipment



□ **Xenon headlights** illuminate the road ahead and to the side with brilliant clarity. These low- and high-beam headlights provide greater roadside detail when driving at night. The BMW Z4 Roadster 3.0i features black headlight surrounds, while the Z4 Roadster 3.0si and Z4 Coupe 3.0si display silver graphite-finish headlight surrounds. (optional in Z4 Roadster 3.0i, Z4 Roadster 3.0si and Z4 Coupe 3.0si; included in Z4 Coupe 3.0si Premium Package)



□ **Headlight washing system** – when the lights are on, the headlights are automatically cleaned whenever the right-hand steering column lever is activated to clean the windshield.



■ **Foglights** are neatly integrated into the front air dam, providing uniform illumination in bad weather conditions.

■ Standard equipment

□ Optional equipment



■ **“Kidney” grille** – the signature BMW design element that is so recognizable on the Z4 Roadsters and Z4 Coupe. The Z4 Roadster 3.0i features black grille slats; the slats on the Z4 Roadster 3.0si and Z4 Coupe 3.0si have a silver graphite-finish.



■ **Side indicator lights** with white lenses. When flashing, the light radiates outward from behind BMW’s signature roundel.



■ **Heated glass rear window** and easy, one-hand release/lock operation allow the softtop to make the Z4 Roadster into a comfortable all-weather car. Thanks to a functional folding sequence, the softtop’s front section doubles as a tonneau cover and lies flush for a neat appearance. When the top is up, its variable storage compartment can be used to stow added cargo. (Z4 Roadsters only)

■ Standard equipment

□ Optional equipment

Z4 Coupe wheels



□ 18 x 8.0 front/18 x 8.5 rear Star Spoke (Style 203) light alloy wheels and 225/40R-18 front, 255/35R-18 rear run-flat¹ performance tires.² (included in optional Z4 Coupe 3.0si Sport Package)



■ 17 x 8.0 Turbine (Style 201) light alloy wheels and 225/45R-17 run-flat¹ performance tires.² (Z4 Coupe 3.0si)

■ Standard equipment

□ Optional equipment

Z4 Roadster wheels



□ 18 x 8.0 front/18 x 8.5 rear Bolted Star Spoke (Style 108) light alloy wheels and 225/40R-18 front, 255/35R-18 rear run-flat¹ performance tires.² (included in optional Z4 Roadster 3.0si Sport Package)



■ 17x8.0 Turbine (Style 200) light alloy wheels and 225/45R-17 run-flat¹ performance tires.² (Z4 Roadster 3.0i)



■ 17x8.0 Turbine (Style 201) light alloy wheels and 225/45R-17 run-flat¹ performance tires.² (Z4 Roadster 3.0si)



□ 18x8.0 front/18x8.5 rear Star Spoke (Style 241) light alloy wheels and 225/40R-18 front, 255/35R-18 rear run-flat¹ performance tires.² (included in optional Z4 Roadster 3.0i Sport Package)

¹ Z4 Roadsters and Z4 Coupe with run-flat tires are not equipped with a spare tire and wheel.

² Performance tires not recommended for driving in snow and ice conditions.

Due to low-profile tires, please note: wheels, tires and suspension parts are more susceptible to road hazard and consequential damages.

■ Standard equipment

□ Optional equipment



■ Standard **Sport seats** with six-way manual adjustment enhance the BMW driving experience. Specially bolstered side padding offers lateral support during tight cornering, while remaining comfortable over long distances. The six seat adjustments include forward/backward, up/down, and backrest angle.



□ **M Sport seats** feature pronounced side bolsters designed to provide excellent lateral support during high performance driving and also include manual thigh support adjustment. (Requires Sport Package; not available with Leatherette upholstery.)



□ **Heated seats** offer three temperature settings for seat and backrest. In just a few short minutes, both driver and passenger can enjoy individualized warmth.



■ **Manual climate control system** allows you to adjust temperature and four fan speeds, direct airflow, and choose fresh or recirculated air. It also includes a micro-filter that removes pollen, dust and spores. (Std. in Z4 Roadster 3.0i. Automatic climate control std. in Z4 Roadster and Coupe 3.0si; incl. in Z4 Roadster 3.0i Premium Package.)

■ Standard equipment

□ Optional equipment



■ **Leather-covered multi-function sport steering wheel** lets you keep both hands on the wheel while adjusting various comfort functions, such as changing the radio, CD selections and volume.



■ **6-speed manual transmission** delivers a precise feel that's responsive to your personal driving style, thanks in part to enhanced synchronization of shifts from neutral to each gear. The gearbox adds to the sporty feel with a shortened shift lever and "throw."



□ **6-speed STEPTRONIC with Adaptive Transmission Control** provides a choice of three modes: "Drive"; "Sport" automatic, for a more dynamic shift pattern; and STEPTRONIC automatic, for the hands-on control of a manual without using a clutch, whether using the racing-inspired shift paddles mounted on the steering wheel or the console-mounted shift lever.



□/■ **Four-function on-board computer** readouts and the **outside temperature display** are shown below the speedometer dial. The LED computer displays include readouts for average fuel economy, average speed, range on remaining fuel, and current time (normally appears in the radio display). (Optional or included in Z4 Roadster 3.0i Premium Package; standard in Z4 Roadster 3.0si and Z4 Coupe 3.0si.)

■ Standard equipment

□ Optional equipment



□ **Integrated DVD-based navigation system** covers the United States with a single DVD. The pop-up, glare-free monitor is mounted atop the dashboard and its screen can be adjusted for best visibility. When not in use, it retracts back down, out of sight.



■ **Rain sensor** uses infrared light to measure the amount of rain. When the wipers are in the “intermittent” mode, the rain sensor automatically adjusts the windshield wiping interval as needed. **Automatic headlight control**, included with rain sensor, activates headlights by means of a sensor that responds to darkness.



□/■ **THX™ Certified premium AM/FM stereo/CD audio system** generates full-bodied, pure sound and incorporates Carver technology. Sound is generated by a powerful Carver amplifier with 7-band Digital Sound Processing, and delivered through 10 upgraded speakers, including two subwoofers. (optional in Z4 Roadster 3.0i; standard in Z4 Roadster 3.0si and Z4 Coupe 3.0si)



□ **HD Radio™** receives free, digital AM/FM broadcasts across the U.S. in clear, static-free quality sound – AM sounds like FM; FM sounds like CD. Also enjoy “multicast” FM stations, as well as a variety of innovative data services.

For more information on HD Radio receivers and to find HD Radio AM/FM stations near you, visit HDRadio.com.

■ Standard equipment

□ Optional equipment



■ **Tailgate** on the BMW Z4 Coupe 3.0si opens wide for easy stowage of large items. A luggage compartment cover conceals contents from prying eyes.



■ **Comfort opening:** the luggage compartment cover of the BMW Z4 Coupe 3.0si, in its extended position, opens in unison with the tailgate for easy access.



■ **Luggage compartment** on the BMW Z4 Roadsters is illuminated and completely lined to help protect valuables.

Premium Packages

Premium Packages (optional)

Add a greater level of convenience and luxury to your driving experience with the Premium Package. In addition to the items shown, all Z4 models benefit from eight-way power seats with three-way driver's-seat memory, elastic storage nets, BMW Assist™ and Bluetooth® wireless communication systems. Automatic climate control and a four-function on-board computer are included in the Z4 Roadster 3.0i Premium Package (both items standard in the Z4 Roadster 3.0si and Z4 Coupe 3.0si). Additionally, the Z4 Coupe 3.0si Premium Package includes Xenon headlights with auto-leveling. See page 60 for a detailed list of Z4 Roadster and Z4 Coupe Premium Package items.



Fully automatic power softtop can be raised and lowered with the press of a button at the front of the center console. The fast-action top opens and closes in under 10 seconds. (Z4 Roadster Premium Packages only)



Automatic climate control system allows occupants to select a specific cabin temperature and choice of fan speeds, as well as automatic or manual airflow and recirculation. The automatic recirculation control activates whenever certain air pollutants are detected. The system also includes defrost/demist and MAX A/C functions. (Std. in Z4 Roadster 3.0si and Z4 Coupe 3.0si; incl. in Z4 Roadster 3.0i Premium Package.)



Automatic-dimming interior and exterior mirrors respond to the brightness of following headlights to minimize their reflection into the eyes of the driver. (Exterior mirrors not shown.)



BMW Assist™ and Bluetooth® system offers hands-free calling through your BMW-approved Bluetooth phone. BMW Assist Safety Plan includes Automatic Collision Notification, Enhanced Roadside Assistance, Stolen Vehicle Recovery and more. An optional Convenience Plan with Directions, Traffic and Weather information, Critical Calling and Concierge service is also available.

Sport Packages (optional)

Add the Sport Package to your Z4 Roadster or Z4 Coupe and you'll notice a boost in the thrilling performance of your BMW. The combination of larger, mixed-size run-flat performance tires¹ on striking alloy wheels, Dynamic Driving Control, and sport-tuned suspension creates a driving experience you'll crave every day.



18x8.0 front/18x8.5 rear Star Spoke (Style 241) light alloy wheels and 225/40R-18 front, 255/35R-18 rear run-flat performance tires.¹ (Z4 Roadster 3.0i Sport Package)



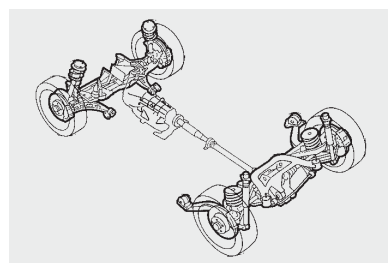
18 x 8.0 front/18 x 8.5 rear Star Spoke (Style 203) light alloy wheels and 225/40R-18 front, 255/35R-18 rear run-flat performance tires.¹ (Z4 Coupe 3.0si Sport Package)



18 x 8.0 front/18 x 8.5 rear Bolted Star Spoke (Style 108) light alloy wheels and 225/40R-18 front, 255/35R-18 rear run-flat performance tires.¹ (Z4 Roadster 3.0si Sport Package)



Dynamic Driving Control (Sport button) activates the Sport driving mode for quicker engine response on demand, reduced power-steering assist, and an additional Sport mode in models with optional STEPTRONIC automatic transmission.



Sport suspension includes stiffer suspension parts, resulting in a firmer ride with more sporty handling.

¹ Z4 Roadsters and Z4 Coupe with run-flat tires are not equipped with a spare tire and wheel. Due to low-profile tires, please note: wheels, tires and suspension parts are more susceptible to road hazard and consequential damages. Performance tires not recommended for driving in snow and ice conditions.

Performance and efficiency	Z4 Roadster 3.0i	Z4 Roadster 3.0si	Z4 Coupe 3.0si
3.0-liter dual overhead cam (DOHC), 24-valve inline 215-horsepower 6-cylinder engine with composite magnesium/aluminum engine block, Valvetronic, and Double-VANOS steplessly variable valve timing	●		
3.0-liter dual overhead cam (DOHC), 24-valve inline 255-horsepower 6-cylinder engine with composite magnesium/aluminum engine block, Valvetronic, and Double-VANOS steplessly variable valve timing		●	●
3-stage air intake manifold		●	●
Electronic throttle control	●	●	●
6-speed manual transmission	●	●	●
6-speed STEPTRONIC ¹ automatic transmission with Adaptive Transmission Control and steering wheel-mounted manual shift paddles	○	○	○

Handling and braking	Z4 Roadster 3.0i	Z4 Roadster 3.0si	Z4 Coupe 3.0si
Dynamic Stability Control (DSC), including Brake Fade Compensation, Start-off Assistant, Brake Drying, and Brake Stand-by features, with Dynamic Traction Control (DTC)	●	●	●
Dynamic Driving Control (Sport Button) ²	□	□	□
Run-Flat Combination (RFC) wheel-tire system with Tire Pressure Warning ³	●	●	●
High-rigidity body/chassis unit with aluminum hood	●	●	●
Strut-type front suspension with forged-aluminum lower arms and hydraulic cushions	●	●	●
Central Link rear suspension with cast-aluminum upper transverse links	●	●	●
Acoustically decoupled final drive with hydraulic rear mount	●	●	●
Vehicle-speed-sensitive Electric Power Steering	●	●	●
4-wheel anti-lock disc brakes, ventilated front and rear, vacuum-assisted	●	●	●
Front and rear anti-roll (stabilizer) bars	●	●	●
Twin-tube gas-pressure shock absorbers	●	●	●
Sport suspension	□	□	□

- = Standard
- = Optional
- = Included in Sport Package
- ◇ = Included in Premium Package

¹ BMW's system of manual shift control for an automatic transmission.

² Dynamic Driving Control provides Normal and Sport settings for throttle, steering and (if vehicle is so equipped) STEPTRONIC transmission.

³ Z4 Roadsters and Z4 Coupe have run-flat tires; not equipped with a spare tire and wheel.

Exterior and aerodynamics	Z4 Roadster 3.0i	Z4 Roadster 3.0si	Z4 Coupe 3.0si
17 x 8.0 Star Spoke (Style 200) light alloy wheels and 225/45R-17 run-flat ³ performance tires ⁴	●		
17 x 8.0 Turbine (Style 201) light alloy wheels and 225/45R-17 run-flat ³ performance tires ⁴		●	●
18 x 8.0 front/18 x 8.5 rear Star Spoke (Style 241) light alloy wheels and 225/40R-18 front, 255/35R-18 rear run-flat ³ performance tires ⁴	□		
18 x 8.0 front/18 x 8.5 rear Bolted Star Spoke (Style 108) light alloy wheels and 225/40R-18 front, 255/35R-18 rear run-flat ³ performance tires ⁴		□	
18 x 8.0 front/18 x 8.5 rear Star Spoke (Style 203) light alloy wheels and 225/40R-18 front, 255/35R-18 rear run-flat ³ performance tires ⁴			□
Tire Pressure Monitor	●	●	●
Halogen high- and low-beam headlights	●	●	●
Xenon headlights with auto-leveling	○	○	○/◇
Foglights	●	●	●
Headlight washers	○	○	○
Heated windshield-washer jets	●	●	●
Heated outside mirrors	●	●	●
White side-turn indicator lenses behind BMW logo roundels	●	●	●
Metallic paint	○	○	○
Easy-to-operate manual softtop	●	●	
Fully automatic, power softtop	○/◇	○/◇	
Heated glass rear window	●	●	●

Instrumentation and controls	Z4 Roadster 3.0i	Z4 Roadster 3.0si	Z4 Coupe 3.0si
Electronic analog instrumentation	●	●	●
LCD main and trip odometers	●	●	●
Service Interval Indicator with miles-to-service readout	●	●	●
4-function on-board computer	○/◇	●	●
Outside temperature display	●	●	●
Power windows with "one-touch" push-pull open/close for driver	●	●	●
Manual climate control with micro-filter ventilation	●		
Automatic climate control with active charcoal micro-filter ventilation and automatic recirculation control	◇	●	●
Rain-sensing windshield wipers and Automatic headlight control	●	●	●
BMW Navigation system	○	○	○

⁴Performance tires not recommended for driving in snow and ice conditions. Due to low-profile tires, please note: wheels, tires and suspension parts are more susceptible to road hazard and consequential damages.

Comfort and convenience	Z4 Roadster 3.0i	Z4 Roadster 3.0si	Z4 Coupe 3.0si
Remote entry with multi-function remote control, including remote trunk or hatchback release	●	●	●
Courtesy lights with fade-in/fade-out feature, and actuation from remote control		●	●
Cruise control	●	●	●
Glove compartment; storage space in doors and behind seats	●	●	●
Elastic nets on passenger side of center tunnel and on back of each seat (Storage Package)	◇	◇	◇
Dual power outside mirrors	●	●	●
Automatic-dimming interior and exterior mirrors	◇	◇	◇
6-way manually adjustable sport seats	●	●	●
8-way power seats with 3-way driver's-seat memory	○/◇	○/◇	○/◇
M Sport seats with pronounced side bolsters for lateral support ⁵	○	○	○
Leather-covered multi-function sport steering wheel	●	●	●
Center arm pad	○ ⁶	●	●
3-stage, thermostatically controlled heated seats	○	○	○
Dual cupholders	●	●	●
Electric interior trunk or hatchback release	●	●	●
Variable softtop compartment	●	●	●
Hardtop preparation (required for accessory hardtop installation)	○	○	

Interior Seating and Trim	Z4 Roadster 3.0i	Z4 Roadster 3.0si	Z4 Coupe 3.0si
Leatherette upholstery	●		
High Performance Leather upholstery	○	●	●
Extended High Performance Leather upholstery		○	○
Graphite Finish interior trim	● ⁷		
Brushed Aluminum interior trim	● ⁸	●	●
Light Poplar Wood interior trim ⁹	○	○	○
Dark Poplar Wood interior trim ⁹	○	○	○

- = Standard
- = Optional
- = Included in Sport Package
- ◇ = Included in Premium Package
- △ = BMW center-installed accessory

⁵Requires Sport Package. Not available with Leatherette upholstery.

⁶Included with optional High Performance Leather upholstery.

⁷Standard in Z4 Roadster 3.0i with Leatherette upholstery.

⁸Standard in Z4 Roadster 3.0i with optional High Performance Leather upholstery.

⁹Not available with Leatherette upholstery.

Audio	Z4 Roadster 3.0i	Z4 Roadster 3.0si	Z4 Coupe 3.0si
Anti-theft AM/FM/CD audio system with Radio Data System, MP3 capabilities and 10 speakers	●		
THX™ Certified premium audio system with upgraded audio power and MP3 capabilities, Carver technology and 10 audiophile-quality speakers, including 2 subwoofers	○	●	●
Auxiliary audio input adaptor for audio connection of portable music players	●	●	●
Pre-wiring for CD changer and alarm system	●	●	●
iPod® Interface Integrated System ¹⁰	△	△	△
SIRIUS® Satellite Radio ¹⁰	△	△	△
HD Radio™ – receive free, digital AM/FM broadcasts in clear, static-free quality sound; "multicast" FM stations; and innovative data services ¹¹	○	○	○

Safety and security	Z4 Roadster 3.0i	Z4 Roadster 3.0si	Z4 Coupe 3.0si
Dual-airbag Supplementary Restraint System	●	●	●
BMW's Advanced Safety System for integrated deployment of safety features	●	●	●
Automatic safety-belt pretensioners	●	●	●
Active Knee Protection	●	●	●
Side-impact airbags	●	●	●
LATCH attachment of child-restraint safety seat for passenger seat	●	●	●
Mechanism for disabling the deployment of the front, knee and passenger's-side airbag; includes indicator light ¹²	●	●	●
Cornering Brake Control (CBC)	●	●	●
Rollover Protection	●	●	●
Battery Safety Terminal and automatic fuel-pump shutoff	●	●	●
Central locking system with double-lock anti-theft feature, selective unlocking and interior locking switch	●	●	●
Coded Driveway Protection	●	●	●
Adaptive Brake Lights	●	●	●
BMW Assist™ with Bluetooth® wireless technology for hands-free calling (with Bluetooth enabled mobile phone), phonebook downloading and speech recognition capabilities	○◇	○◇	○◇

BMW Services	Z4 Roadster 3.0i	Z4 Roadster 3.0si	Z4 Coupe 3.0si
BMW Ultimate Service™	●	●	●

¹⁰See your authorized BMW center for details and limitations when ordering Aftersales/Accessories listed.

¹¹HD Radio can be ordered in combination with the optional Premium Package, which includes the THX™ Certified premium audio system.

¹²See your BMW Z4 Roadster/Coupe Owner's Manual for further details.

Premium Packages	Z4 Roadster 3.0i	Z4 Roadster 3.0si	Z4 Coupe 3.0si
Fully automatic, power softtop	○◇	○◇	
8-way power seats with 3-way driver's-seat memory	○◇	○◇	○◇
BMW Assist™ with Bluetooth® wireless technology for hands-free calling (with Bluetooth enabled mobile phone), phonebook downloading and speech recognition capabilities	○◇	○◇	○◇
Automatic-dimming interior and exterior mirrors	◇	◇	◇
Elastic nets on passenger side of center tunnel and on back of each seat (Storage Package)	◇	◇	◇
Automatic climate control with active charcoal micro-filter ventilation and automatic recirculation control	◇	●	●
4-function on-board computer	○◇	●	●
Xenon headlights with auto-leveling	○	○	○◇

Sport Packages	Z4 Roadster 3.0i	Z4 Roadster 3.0si	Z4 Coupe 3.0si
Dynamic Driving Control (Sport button) ¹⁶	□	□	□
18 x 8.0 front/18 x 8.5 rear Star Spoke (Style 241) light alloy wheels and 225/40R-18 front, 255/35R-18 rear run-flat ¹⁷ performance tires ¹⁸	□		
18 x 8.0 front/18 x 8.5 rear Bolted Star Spoke (Style 108) light alloy wheels and 225/40R-18 front, 255/35R-18 rear run-flat ¹⁷ performance tires ¹⁸		□	
18 x 8.0 front/18 x 8.5 rear Star Spoke (Style 203) light alloy wheels and 225/40R-18 front, 255/35R-18 rear run-flat ¹⁷ performance tires ¹⁸			□
Sport suspension	□	□	□

All illustrations and specifications contained in this brochure are based on the latest product information available at the time of printing. BMW reserves the right to make changes at any time, without notice, in colors, materials, equipment, specifications and models. BMW may, subject to legal requirements, determine the Model Year designation of its vehicles. The Model Year designation on any particular model may be longer or shorter than 12 months. Some vehicles pictured may contain non-U.S. equipment. Some models may be shown with optional equipment. While BMW NA makes all reasonable efforts to provide accurate information in this brochure, there is no guarantee or warranty of accuracy. Furthermore, we do not assume any liability for the accuracy or completeness of information presented. This brochure shall not be used or relied upon as a substitute for information that is available from your BMW center. Further information can be obtained from your authorized BMW center or bmwusa.com.

- = Standard
- = Optional
- = Included in Sport Package
- ◇ = Included in Premium Package

¹⁶Dynamic Driving Control provides Normal and Sport settings for throttle, steering and (if vehicle is so equipped) STEPTRONIC transmission.

¹⁷Z4 Roadsters and Z4 Coupe have run-flat tires; not equipped with a spare tire and wheel.

¹⁸Due to low-profile tires, please note: wheels, tires and suspension parts are more susceptible to road hazard and consequential damages. Performance tires not recommended for driving in snow and ice conditions.

Dimensions		Z4 Roadster 3.0i	Z4 Roadster 3.0si	Z4 Coupe 3.0si
Vehicle length/width/height	in	161.1/70.1/51.1	161.1/70.1/51.1	161.9/70.1/49.9
Track, front/rear	in	58.0/60.0	58.0/60.0	58.0/60.0
Wheelbase	in	98.2	98.2	98.2

Weight		Z4 Roadster 3.0i	Z4 Roadster 3.0si	Z4 Coupe 3.0si
Unladen	lbs	3020(3086)	3086(3131)	3108(3156)
Weight distribution, front/rear				
Manual transmission	%	49.9/50.1	49.9/50.1	49.7/50.3
Automatic transmission	%	50.6/49.4	50.6/49.46	50.3/49.7

Engine		Z4 Roadster 3.0i	Z4 Roadster 3.0si	Z4 Coupe 3.0si
Liter/type/valves per cylinder				
		3.0/DOHC inline 6/4	3.0/DOHC inline 6/4	3.0/DOHC inline 6/4
Bore/stroke	in	3.35/3.46	3.35/3.46	3.35/3.46
Nominal output/rpm	hp	215/6250	255/6600	255/6600
Max torque/rpm	lb-ft	185/2750	220/2750	220/2750

Performance		Z4 Roadster 3.0i	Z4 Roadster 3.0si	Z4 Coupe 3.0si
Drag coefficient	C _d	0.36	0.36	0.34
Top speed ¹	mph	149(149)	155(155)	155(155)
Acceleration – 0-60 ²	sec	6.2(6.6)	5.6(5.7)	5.6(5.7)

Fuel consumption ³		Z4 Roadster 3.0i	Z4 Roadster 3.0si	Z4 Coupe 3.0si
Manual transmission	city/highway	18/28	18/28	18/28
Automatic transmission	city/highway	19/28	19/28	19/28
Fuel capacity	U.S. gal	14.5	14.5	14.5

Wheels		Z4 Roadster 3.0i	Z4 Roadster 3.0si	Z4 Coupe 3.0si
Standard – Light alloy wheel dimensions				
front		17 x 8.0	17 x 8.0	17 x 8.0
rear		17 x 8.0	17 x 8.0	17 x 8.0
Run-flat performance tires ⁴	front/rear	225/45R-17	225/45R-17	225/45R-17

Sport Package – Light alloy wheel dimensions				
front		18 x 8.0	18 x 8.0	18 x 8.0
rear		18 x 8.5	18 x 8.5	18 x 8.5
Run-flat performance tires ⁴				
front		225/40R-18	225/40R-18	225/40R-18
rear		255/35R-18	255/35R-18	255/35R-18

Figures in () apply to models with 6-speed automatic transmission.

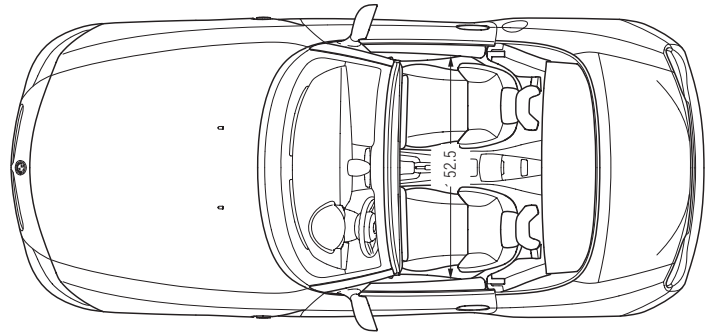
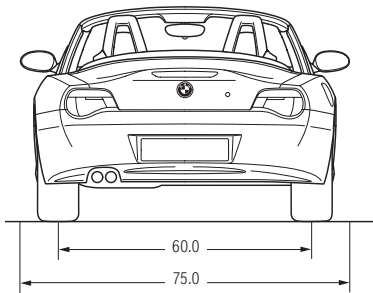
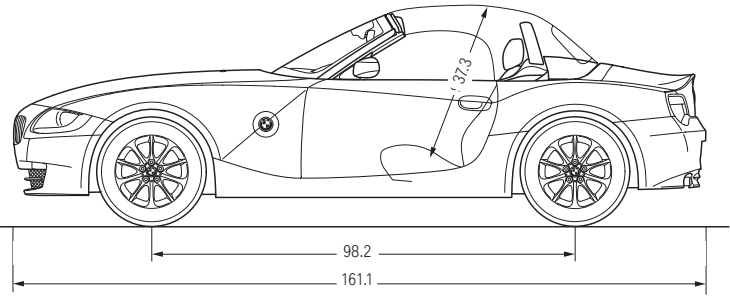
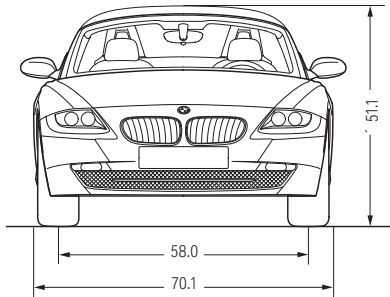
¹Top speed limited electronically.

²BMW test results. Actual acceleration results may vary depending on specification of vehicle, road and environmental conditions, testing procedures and driving style. These results should be used for comparison only and verification should not be attempted on public roads. BMW urges you to obey all posted speed laws and always wear safety belts.

³EPA-estimated figures are for comparison purposes only. Your actual mileage will vary, depending on speed, driving habits, trip length and driving conditions; actual mileage will most likely be lower.

⁴Z4 Roadsters and Z4 Coupe have run-flat tires; not equipped with a spare tire and wheel. Performance tires not recommended for driving in snow and ice conditions. Due to low-profile tires, please note: wheels, tires and suspension parts are more susceptible to road hazard and consequential damages.

BMW Z4 Roadster

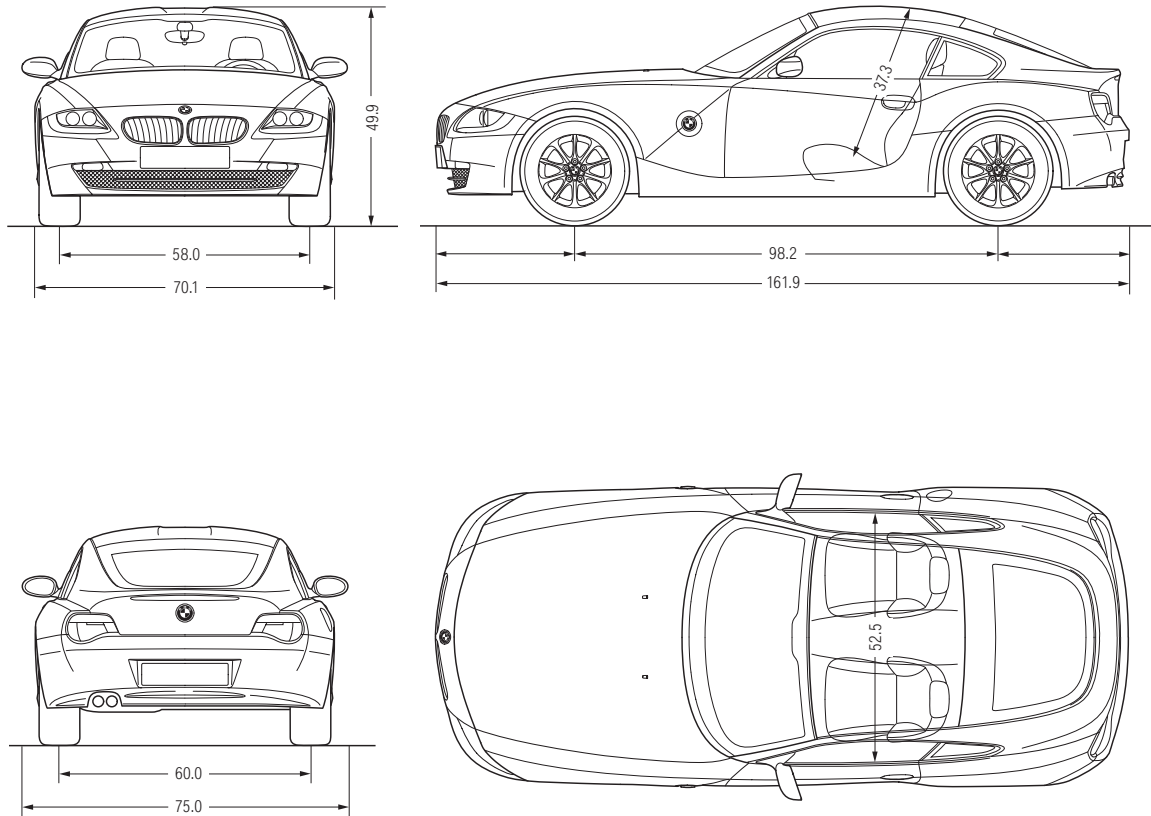


All dimensions shown in inches.

U.S. Distributor: BMW of North America, LLC, Woodcliff Lake, NJ 07677. All illustrations and specifications contained in this brochure are based on the latest product information available at the time of printing. BMW reserves the right to make changes at any time, without notice, in colors, materials, equipment, specifications and models. BMW may, subject to legal requirements, determine the Model Year designation of its vehicles. The Model Year designation on any particular model may be longer or shorter than 12 months. Some vehicles pictured may contain non-U.S. equipment. Some models may be shown with optional equipment. While BMW NA makes diligent efforts to provide accurate information in this brochure, there is no guarantee or warranty of accuracy. Furthermore, we do not assume any liability for the accuracy or completeness of information presented. This brochure shall not be used or relied upon as a substitute for information that is available from your BMW center. Further information can be obtained from your authorized BMW center or bmwusa.com.

©2007 BMW of North America, LLC. Not to be reproduced wholly or in part without written permission of BMW NA. The BMW name, model names and logo are registered trademarks. The **Bluetooth** word mark and logos are owned by the **Bluetooth SIG, Inc.** and any use of such marks by BMW is under license. Other trademarks and trade names are the property of their respective owners.

BMW Z4 Coupe



All dimensions shown in inches.

BMW and the environment.

BMW is a strong proponent of the environment and social responsibility. It is important to manage the earth's resources responsibly, and not jeopardize the needs of future generations. That is why BMW makes vehicles that minimize adverse environmental impact, from production (pollution prevention and waste minimization at the plant) through owner use (low emissions) to eventual disposal (easy drainability of all fluid-related components and easy neutralization of all pyrotechnic devices).

This effort has been recognized worldwide and, as a result, we are pleased to have received numerous environmental honors. In the U.S., for example, the Environmental Protection Agency accepted BMW's Spartanburg, SC production and manufacturing facility as a charter member of the agency's National Environmental Performance Track. Internationally, BMW AG – the parent company of both BMW of North America and BMW Manufacturing Co., Spartanburg, SC – was the first automotive company to be represented on the Dow Jones Sustainability Group Index, and has remained on the Index ever since. At BMW, we strive for high performance in everything we do.