

CHRYSLER PT CRUISER CONVERTIBLE

05



CHRYSLER





PT Cruiser Convertible GT in Bright Silver Metallic



PT Cruiser Convertible GT interior in Light Pearl Beige leather trim with Dark Taupe leather accents





PT Cruiser Convertible Touring Edition in Black



PT Cruiser Convertible Touring Edition instrument panel in Dark Slate Gray

PT Cruiser Convertible lives the life of fun and function. It's fun to drive, of course, and because it ranked number one on Edmunds.com's* top 10 list of most affordable convertibles for 2004, it also makes saving a ton of cash pretty fun, too. Functional: With features like easy fold-flat rear seat loading and smart glass technology – windows automatically move down a bit to make room when lowering the top. Not to mention the back window is actual glass – with defrost, to boot.

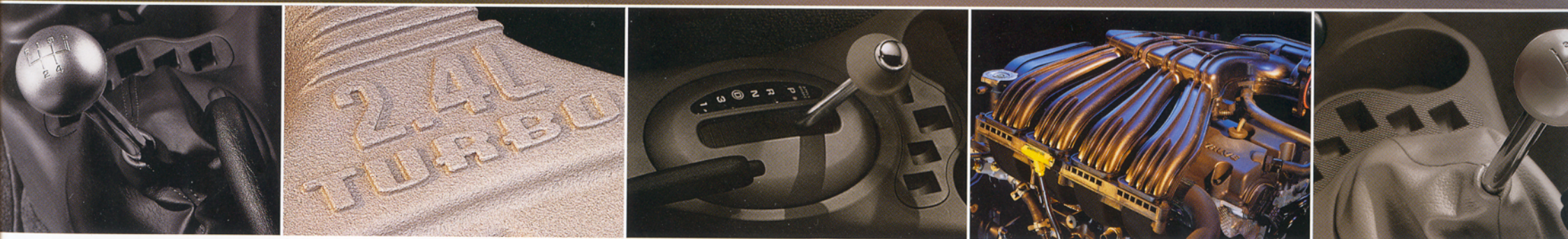
*Posted 05/27/2004 at Edmunds.com.



PT Cruiser Convertible in Bright Silver Metallic



PT Cruiser Convertible GT in Midnight Blue Pearl



Chrysler's four-cylinder DOHC 16-valve engines produce tons of low-end torque for passing power, come with trannies that'll get you up to speed in short clean strokes and have been engineered to inspire. PT Cruiser Convertible GT comes standard with a roaring 220-hp High Output turbo and heavy-duty Getrag five-speed manual transmission. Touring Edition offers an available 180-hp intercooled turbo and four-speed automatic transmission. And both PT Cruiser Convertible as well as the Touring Edition come standard with the spirited, naturally aspirated 150-hp engine and a five-speed manual.

CUSTOMIZATION

Can inspiration make the perfect relationship even better? Yes, with genuine Chrysler Accessories by Mopar. Add to your Cruiser's low-profile good looks with front and rear fascia treatments, the racy rear spoiler or custom graphics. Or roll like a rock star with 16-inch five-spoke chrome wheels and the cool windscreen.





Dream Cruiser Series 4 in Deep Lava Red

Dream Cruiser Series 4... Oh, yeah. This limited-production convertible just exudes cool. Decked out with performance sport seats in Royale leather trim with Deep Lava accents, exclusive Deep Lava Red finish and unique 17-inch, 15-spoke Satin Silver wheels. Equipped with the 220-hp High Output turbo and the heavy-duty Getrag five-speed transmission (or optional automatic transmission)... all the stuff dreams are made of.



EXTERIOR AND INTERIOR COLORS



	Electric Blue Pearl		Inferno Red Crystal Pearl		Dark Plum Pearl		Midnight Blue Pearl		Bright Silver Metallic		Black		Cool Vanilla		Linen Gold Metallic	
	Interior A	Interior B	Interior A	Interior B	Interior A	Interior B	Interior A	Interior B	Interior A	Interior B	Interior A	Interior B	Interior A	Interior B	Interior A	Interior B
GT (Leather trim)
Touring Edition (Leather trim)
Touring Edition (Cloth)
PT Cruiser Convertible (Cloth)

KEY: Interior A: Light Pearl Beige; Interior B: Dark Slate Gray



PT Cruiser Convertible GT in Inferno Red Crystal Pearl

Accessorizing your PT Cruiser Convertible.

Whether it's a leisurely summer evening cruise or a hectic day filled with numerous destinations, you'll enhance the experience with Authentic Chrysler Accessories by Mopar. With a wide selection of appealing body accents, entertainment and navigation systems and many other original equipment accessories to choose from, Mopar has the perfect fit for your lifestyle. For more information on all the chic and sophisticated Authentic Chrysler Accessories available – each one offering you and your PT Cruiser Convertible premium protection, convenience, style or entertainment – visit mopar.com/chrysler or see your local Chrysler dealer.

Authentic Chrysler Accessories



15-inch bolt-on wheel cover
Standard on PT Cruiser Convertible



16-inch painted cast-aluminum wheel
Standard on Touring Edition



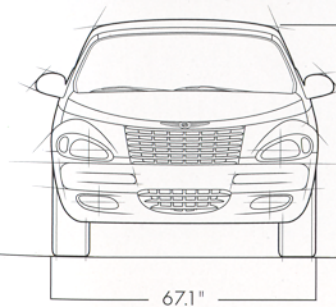
16-inch chrome-clad aluminum wheel
Optional on Touring Edition with Turbo Engine



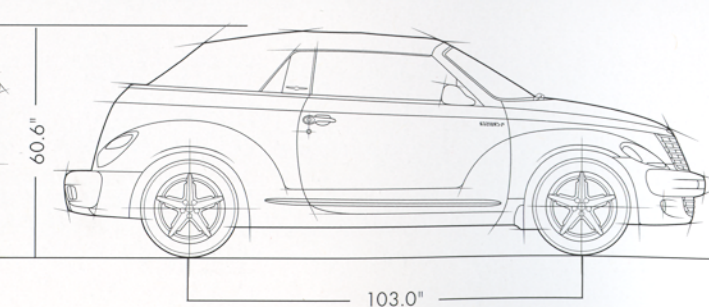
17-inch painted cast-aluminum wheel
Standard on GT



17-inch chrome-plated cast-aluminum wheel
Optional on GT

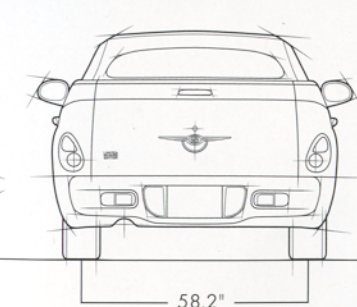


67.1"

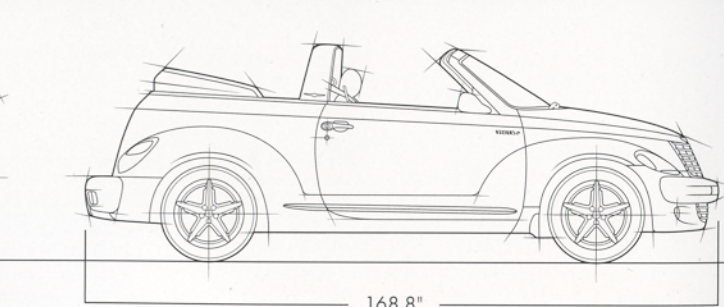


60.6"

103.0"



58.2"



168.8"

PT Cruiser Convertible

PT Cruiser Convertible	Touring Edition	GT
------------------------	-----------------	----

ENGINE/TRANSAXLE

2.4L DOHC 16V 4-cyl (150 hp)/5-speed manual	27D	27F	
2.4L DOHC 16V 4-cyl (150 hp)/4-speed automatic		28F	
2.4L DOHC 16V Turbo 4-cyl (180 hp)/4-speed automatic		2CF	
2.4L DOHC 16V High Output Turbo 4-cyl (220 hp)/5-speed HD manual (Getrag)			2BR
2.4L DOHC 16V High Output Turbo 4-cyl (220 hp)/4-speed automatic with AutoStick®			2CR

MECHANICAL

Brakes – Power front disc/rear drum	S	S	
– Power disc/drum with antilock		O	
– Performance 4-wheel disc with antilock and low-speed traction control (Turbo engine applications)		O	S
Engine Block Heater	O	O	O
Fuel Tank – 15-gallon	S	S	S
Suspension – Front, independent with MacPherson struts and stabilizer bar; rear twist-beam axle with trailing arms and coil springs, shock absorbers and Watt's linkage	S	S	S
– Touring	S	S	
– Sport			S
Traction Control – Low-speed, [packaged with 4-wheel disc antilock brakes]		P	S

EXTERIOR FEATURES

Badging – 2.4L Turbo		P	S
– GT			S
– High Output			S
– Touring Edition		S	
Convertible Top Boot Cover		S	S
Door Handles – Chrome, push-button-actuated	S	S	S
Exhaust Tip – Stainless steel, 2.25" diameter	S	S	
– Chrome-plated stainless steel, 2.75" diameter (included with Touring Edition optional 180-hp Turbo engine)		P	S
Exterior Accents – Body-color bodyside moldings	S	S	S
– Chrome grille accents			S
Glass – Rear window with defroster integral to convertible top	S	S	S
– Solar control, all windows	S	S	S
– Smart Glass, automatic power drop and raise window glass (activated by top and door operation)	S	S	S

PT Cruiser Convertible

PT Cruiser Convertible	Touring Edition	GT
------------------------	-----------------	----

EXTERIOR FEATURES (CONTINUED)

Lighting – Quad-halogen headlamps	S	S	S
– Taillamps with amber turn signals	S	S	S
– Fog lamps		S	S
Mirrors – Dual power exterior	S	S	S
Spare Tire – Compact	S	S	S
Sport Bar – With two dome lamps (theater dimming) and Chrysler wing badge	S	S	S
Tires – P195/65R15 all-season touring	S		
– P205/55R16 89T all-season touring		S	
– P205/50HR17 93H extra-load all-season performance			S
Trunk Lid Handle – Integrated into rear Chrysler wing badge	S	S	S
Wheels – Steel wheel with 15" silver painted bolt-on wheel cover	S		
– 16" silver painted cast-aluminum, 7-spoke		S	
– 16" chrome-clad aluminum, 6-spoke (only with optional turbo engine)		O	
– 17" silver painted cast-aluminum, 5-spoke			S
– 17" chrome-plated cast-aluminum, 5-spoke			O
Windshield Wipers – Two-speed with variable-intermittent mode	S	S	S

INTERIOR FEATURES

Air Conditioning – Manual temperature controls	S	S	S
Bright Pedals and Lock Knobs			S
Clock – Digital, integral to all radios	S	S	S
Consoles – Floor includes cup holders, coin holder, letter holder, cassette and CD storage, multipurpose bin, pen/pencil tray and auxiliary power outlet	S	S	S
Cup Holders – Front, 2; rear, 2	S	S	S
Defroster – Electric rear window	S	S	S
Door Locks – Power, includes auto speed-sensitive with central locking	S	S	S
Floor Mats – Front and rear, carpeted		S	S
– with "GT" logo embroidery on front mats			S
Gauges – Tachometer, odometer, trip odometer, fuel, engine coolant temperature	S	S	S
Glove Box – Locking	S	S	S
HomeLink® – Universal garage door opener system		O	S
Indicators – Brake system, low oil pressure, charging system, check engine, seat belt telltale, high beams, chimes for low fuel, door ajar, trunk lid ajar	S	S	S
Lighting – Sport bar dome with theater-dimming lamps	S	S	S
– Rear cargo area	S	S	S

	PT Cruiser Convertible		
	PT Cruiser Convertible	Touring Edition	GT
INTERIOR FEATURES (CONTINUED)			
Mirrors – Interior, prismatic rearview with compass/temperature and map/reading lamps	S	S	S
– Covered illuminated visor vanity	S	S	S
Power Accessory Outlet – 12V located in center floor console, instrument panel and cargo area	S	S	S
Shift Knob – Color-keyed ball-type with chrome shift lever	S	S	
– Satin Silver, ball-type with chrome shift lever			S
Speed Control – Electronic with column-mounted controls		S	S
Speedometer – 120-mph	S	S	
– 140-mph speedometer			S
Steering – Power rack-and-pinion	S	S	S
Steering Column – Tilt	S	S	S
Steering Wheel – Vinyl	S	S	
– Leather-wrapped with Satin Silver spokes			S
– Leather-wrapped (included with Touring Edition optional leather-trimmed seating)		P	
Storage Drawer – Under front-passenger seat	S	S	S
Sun Visors – Dual, cloth covered with illuminated vanity mirrors	S	S	S
Ventilation Ducts – Rear, located under and near the rear of standard center console	S	S	S
Windows – Power with driver and front-passenger one-touch down	S	S	S
SEATING AND TRIM			
Instrument Panel Trim – Color-keyed insert for Dark Plum, Electric Blue, Inferno Red and Midnight Blue	P	P	P
– Light Pewter insert for Linen Gold, Bright Silver, Black and Cool Vanilla with Light Pearl Beige interior	P	P	P
– Bright Silver insert with Dark Slate interiors (Exception: Light Pewter insert with Dark Slate Gray interior for Linen Gold exteriors)	P	P	P
Seating – Front Performance buckets with inboard armrests, two-way adjustable locking head restraints and rear easy access via tilt and slide front passenger seat	S	S	S
Seat Trim Material – Fresno Cloth Performance (Dark Slate Gray)	S	S	
– Royale leather-trimmed Light Pearl Beige or Dark Slate Gray Performance seats with Dark Taupe or Medium Gray half-moon inserts			S
– Royale leather-trimmed seats – Light Pearl Beige		O	
Front – Heated driver and front-passenger seats (leather-trimmed seating)			O
– Driver-side manual lumbar adjuster	S	S	S
– Driver-side power seat height adjuster (packaged with Touring Edition leather seating)		P	S
Rear – 50/50 split Fold-and-Tumble™ with integrated head forms	S	S	S

	PT Cruiser Convertible		
	PT Cruiser Convertible	Touring Edition	GT
ENTERTAINMENT SYSTEMS			
Infinity™ Premium Audio System – Six speakers		O	O
Sound System – AM/FM stereo with cassette player	S		
– AM/FM stereo with CD player and changer controls		S	
– AM/FM stereo with cassette and CD player		O	S
– AM/FM stereo with integral 6-disc CD changer		O	O
– AM/FM stereo with CD player and full-map GPS navigation system		O	O
– 6 speakers	S	S	S
SAFETY & SECURITY			
Air Bags* – Next Generation driver and front-passenger	S	S	S
– Supplemental side-impact protection for front outboard occupants (packaged with optional Touring Edition leather-trimmed seating)		O	S
Brake-Park Interlock – Prevents an automatic transmission from being shifted out of Park unless brake pedal is applied (automatic transaxle)	S	S	S
Child Seat Anchor System (LATCH) – Lower child seat anchors and upper tether anchors help ease the installation of aftermarket child seats	S	S	S
Clutch-Starter Interlock – Cannot start engine until clutch pedal is applied (manual transaxle)	S	S	S
Dynamic Side-Impact Intrusion Protection – Steel side-guard door beams, unique transverse beam and structural body reinforcements	S	S	S
Remote Keyless/Illuminated Entry System – Control for power door locks, trunk lid release and panic alarm; includes two transmitters with rolling-code technology	S	S	S
Seat Belt Cluster Lamp – Remains on after engine start until driver buckles up	S	S	S
Seat Belts – Front shoulder belts with traveling buckles and fixed turning loops; three-point shoulder belts at both rear-seat positions	S	S	S
Security Alarm System		S	S
Sentry Key® – Engine Immobilizer	S	S	S

S = Standard. P = Included in package. O = Optional.

*Certified to the Federal Regulations that allow less forceful front air bags. Always use seat belts. Children 12 and under should always be in a backseat correctly using an infant or child restraint system, or the seat belt positioned correctly for the child's age and weight.

HomeLink is a registered trademark owned by Johnson Controls, Inc.

Infinity is a trademark of Harman International Industries, Inc.

Fold-and-Tumble is a trademark of DaimlerChrysler Corporation.

Sentry Key and UConnect are registered trademarks of DaimlerChrysler Corporation.