

*Ford*

THE UNIVERSAL CAR

Price List of  
Miscellaneous  
Parts

Model T

Effective September 1, 1920

*Ford Motor Company*

DETROIT, MICHIGAN

# PRICE LIST OF MISCELLANEOUS PARTS

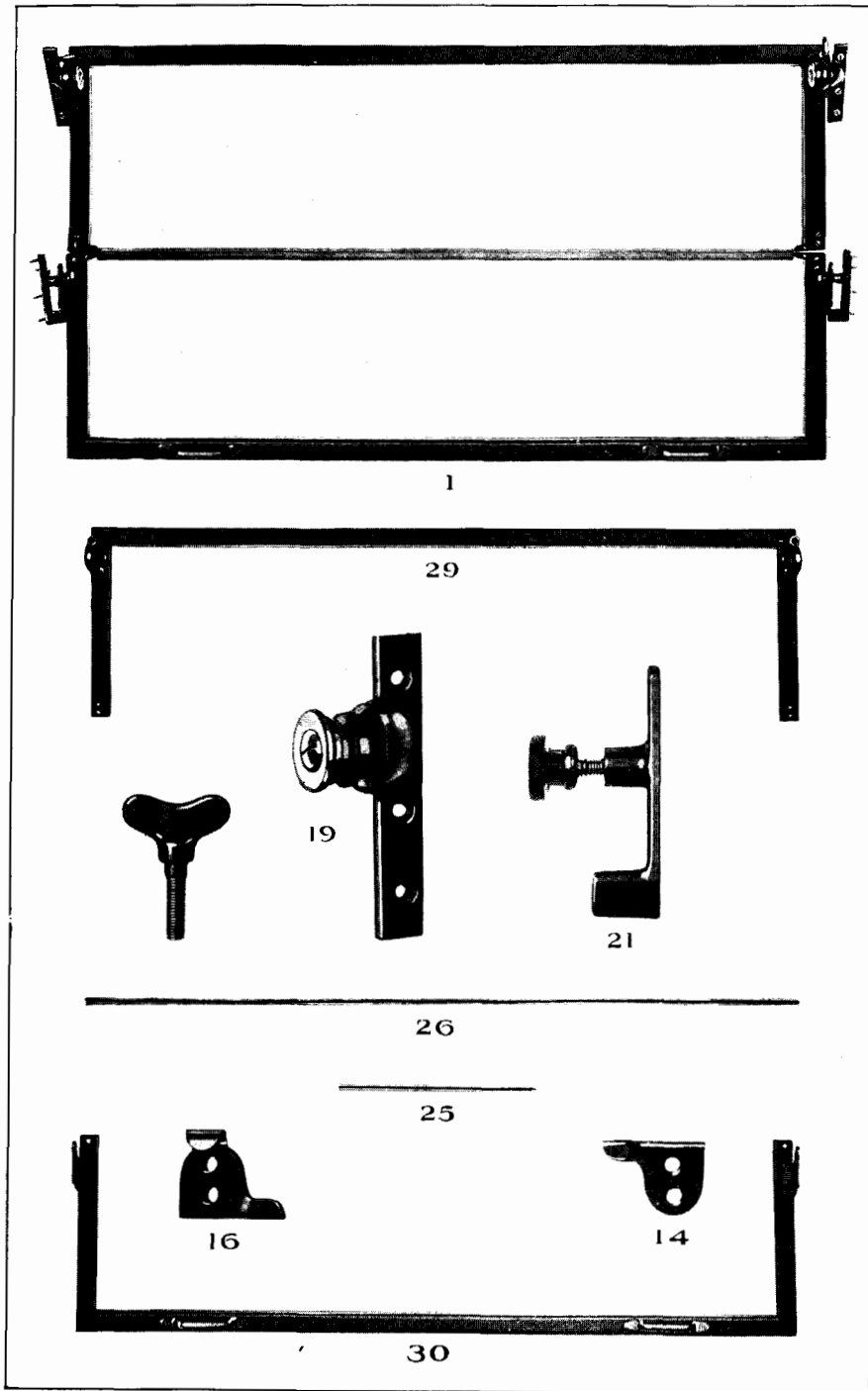
## Ford Model T

Effective September 1st, 1920

**NOTE**—Garages will receive the regular garage discount on all parts listed in this catalog, except on those parts on which a "Dealer's Net Price" is given. On such parts Garages will receive a discount of 10% from list.

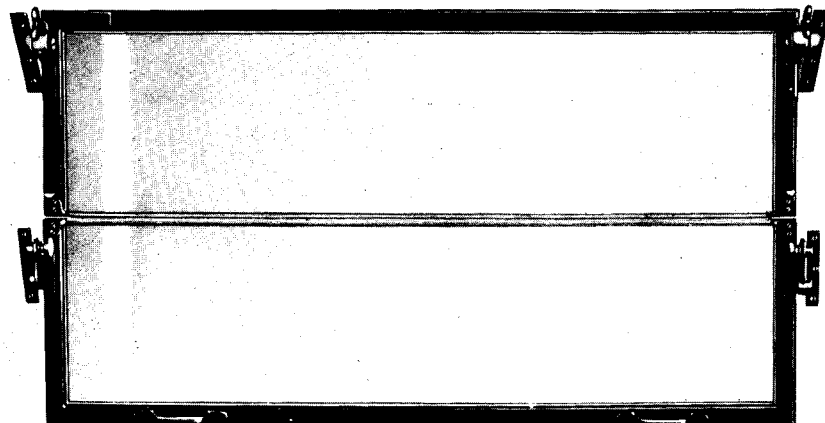
| Part No.                           | Fac. No. | NAME                                       | YEAR    | Net Price to Dealer | PRICE   |
|------------------------------------|----------|--|---------|---------------------|---------|
| <b>COUPELET—1915-20 WINDSHIELD</b> |          |  |         |                     |         |
| 1                                  | 9511     | W. S. complete                             | 1916-19 |                     | \$31 00 |
| 2                                  | 9542     | W. S. assem., upper                        | 1916-19 |                     | 12 50   |
| 2B                                 | 9524B    | W. S. assembly—upper—Cp. Sn.               | 1920    |                     | 12 50   |
| 3                                  | 9543     | W. S. assem., lower                        | 1916-19 |                     | 12 50   |
| 4                                  | 9025     | Bolt and nut (glass clip)—Cp. Tn. Sn.      | 1915-20 |                     | 10      |
| 4B                                 | 8689     | Bracket (hinge pillar)—Cp. Sn.             | 1920    |                     | 1 00    |
| 5                                  | 9530     | Bracket (up. hinge pillar) R.—Cp. Sn.      | 1915-19 |                     | 1 00    |
| 6                                  | 9531     | Bracket (up. hinge pillar) L.—Cp. Sn.      | 1915-19 |                     | 1 00    |
| 7                                  | 9532     | Bracket (up. hinge sash) R.—Cp. Sn.        | 1916-19 |                     | 1 00    |
| 8                                  | 9004     | Bracket (vent hinge body) R.               | 1915-19 |                     | 40      |
| 9                                  | 9533     | Bracket (up. hinge sash) L.—Cp. Sn.        | 1916-19 |                     | 1 00    |
| 10                                 | 9005     | Bracket (vent. hinge body) L.              | 1915-19 |                     | 40      |
| 11                                 | 9002     | Bracket (vent. hinge sash) R.—Cp. Tn. Sn.  | 1915-20 |                     | 20      |
| 12                                 | 9003     | Bracket (vent. hinge sash) L.—Cp. Tn. Sn.  | 1915-20 |                     | 20      |
| 13                                 | 9066     | Channel (center) rubber—Cp. Tn. Sn.        | 1915-20 |                     | 40      |
| 14                                 | 9013     | Clip (lower glass) Cp. Tn. Sn.             | 1915-20 |                     | 10      |
| 15                                 | 9011     | Clip (upper glass) R.—Cp. Sn.              | 1915-20 |                     | 10      |
| 16                                 | 9012     | Clip (upper glass) L.—Cp. Sn.              | 1915-20 |                     | 10      |
| 17                                 | 9021     | Cone (up. hinge friction) Cp. Sn.          | 1915-19 |                     | 15      |
| 18                                 | 9550     | Glass 37 $\frac{5}{8}$ x 9 $\frac{7}{8}$ " | 1916-19 |                     | 8 50    |
| 19                                 | 9528     | Hinge assem., up. R.—Cp. Sn.               | 1916-19 |                     | 2 00    |
| 19B                                | 9528B    | Hinge assem., up. R.—Cp. Sn.               | 1920    |                     | 2 25    |
| 20                                 | 9529     | Hinge assem., up. L.—Cp. Sn.               | 1916-19 |                     | 2 00    |
| 20B                                | 9529B    | Hinge assem., up. L.—Cp. Sn.               | 1920    |                     | 2 25    |
| 21                                 | 9000     | Hinge assem., vent. R.                     | 1915-19 |                     | 1 00    |
| 22                                 | 9001     | Hinge assem., vent. L.                     | 1915-19 |                     | 1 00    |
| 23                                 | 9014     | Handle (lower sash) Cp. Tn. Sn.            | 1915-20 |                     | 20      |
| 24                                 | 9026     | Nut (glass clip) Cp. Tn. Sn.               | 1915-20 |                     | 05      |
| 25                                 | 9027     | Retainer (glass) side                      | 1915-19 |                     | 20      |
| 25B                                | 9090     | Retainer (glass)—Sn. 1915-20               | 1920    |                     | 95      |
| 26                                 | 9028     | Retainer (glass) up. and lower             | 1915-19 |                     | 55      |
| 27                                 | 9572     | Retainer (weather strip) upper             | 1916-19 |                     | 20      |
| 28                                 | 9573     | Retainer (weather strip) side              | 1916-19 |                     | 15      |
| 29                                 | 9544     | Sash, upper                                | 1916-19 |                     | 7 50    |
| 30                                 | 9545     | Sash, lower                                | 1916-19 |                     | 7 50    |
| 31                                 | 9575     | Strip (up. weather) rubber                 | 1916-19 |                     | 50      |
| 32                                 | 9576     | Strip (side weather) rubber                | 1916-19 |                     | 15      |
| 33                                 | 9574     | Screw (up. hinge clamp) Cp. Tn. Sn.        | 1916-19 |                     | 35      |

The word "FORD" is a registered trademark of Ford Motor Company and its use on parts that are not manufactured and sold by Ford Motor Company is unlawful.

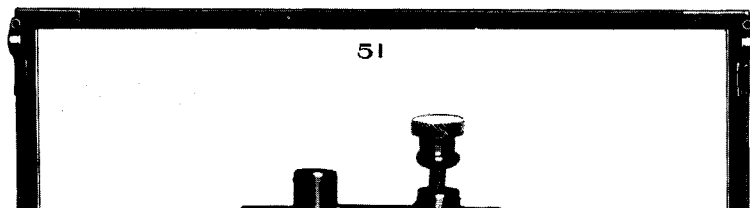


COUPELET WINDSHIELD

| Part No.                                     | Fao. No. | NAME  | YEAR    | Net Price to Dealer | PRICE   |
|--|----------|---|---------|---------------------|---------|
| <b>COUPELET—1915-20 WINDSHIELD—Continued</b> |          |   |         |                     |         |
| 33B  | 9574B    | Screw (upper hinge clamp)—Cp. Sn.           | 1920    |                     | \$ 1 00 |
| 34   | 9006     | Screw (vent. thumb) black, Cp. Tn. Sn.      | 1916-20 |                     | 25      |
| 35   | 9022     | Screw (up. hinge friction cone) Cp. Sn.     | 1915-19 |                     | 05      |
| 36   | 9023     | Washer (up. hinge friction lock) Cp. Sn.    | 1915-19 |                     | 01      |
| <b>SEDAN—1915-20 WINDSHIELD</b>              |          |   |         |                     |         |
| 37   | 9538     | W. S. complete                              | 1916-20 |                     | 31 00   |
| 38   | 9524     | W. S. assem.—upper                          | 1916-20 |                     | 12 50   |
| 39   | 9525     | W. S. assem.—lower                          | 1916-20 |                     | 12 50   |
| 40   | 9530     | Bracket (up. hinge pillar) R. (Order No. 5) |         |                     |         |
| 41   | 9531     | Bracket (up. hinge pillar) L. (Order No. 6) |         |                     |         |
| 42   | 9046     | Bracket (vent. hinge pillar) R.             | 1915-20 |                     | 40      |
| 43   | 9047     | Bracket (vent. hinge pillar) L.             | 1915-20 |                     | 40      |
| 44   | 9534     | Glass 37 $\frac{1}{8}$ x 9 $\frac{3}{4}$ "  | 1916-20 |                     | 8 50    |
| 45   | 9042     | Hinge assem.—vent. R.                       | 1915-20 |                     | 1 00    |
| 46   | 9043     | Hinge assem.—vent. L.                       | 1915-20 |                     | 1 00    |
| 49   | 9536     | Retainer (weather strip) up.                | 1916-20 |                     | 20      |
| 50   | 9537     | Retainer (weather strip) side               | 1916-20 |                     | 15      |
| 51   | 9526     | Sash—upper                                  | 1916-20 |                     | 7 50    |
| 52   | 9527     | Sash—lower                                  | 1916-20 |                     | 7 50    |
| 53   | 9645     | Strip (weather) side rubber                 | 1916-20 |                     | 25      |
| 54   | 9646     | Strip (weather) up. rubber                  | 1916-20 |                     | 50      |



37



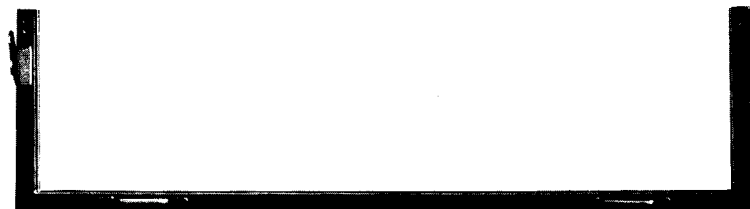
51

45

47



48



52

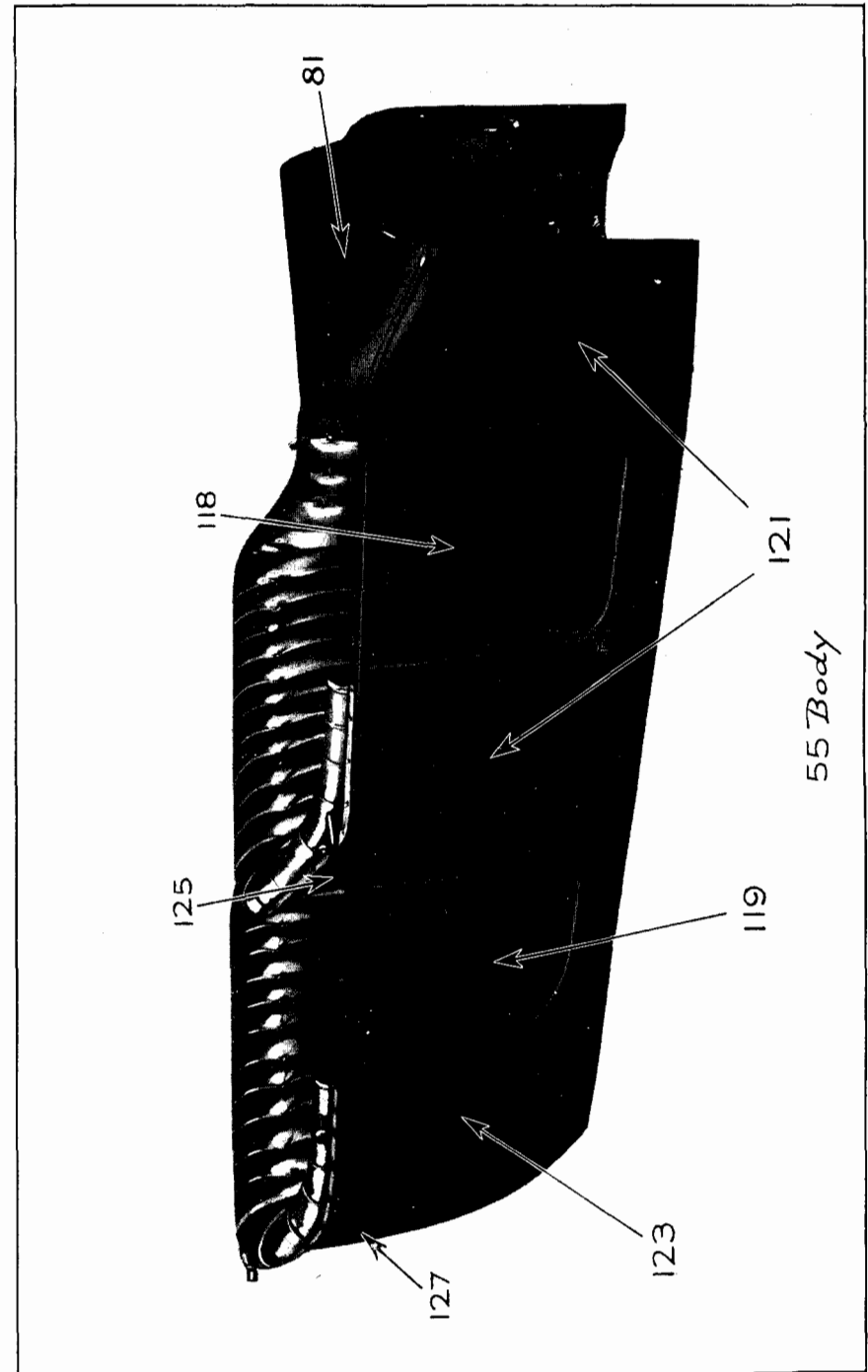
SEDAN WINDSHIELD

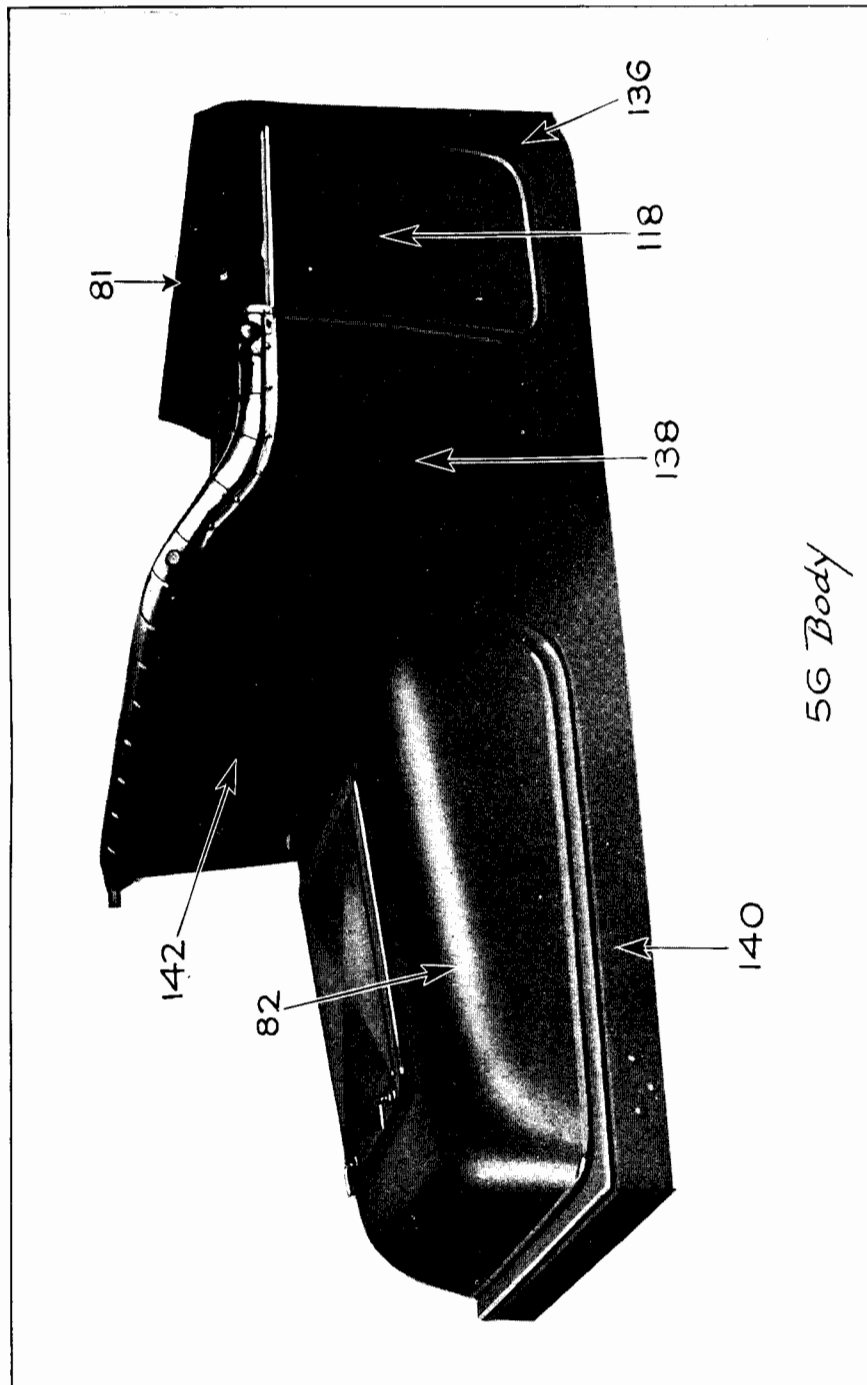
| Part No.                        | Fac. No. | NAME                                  | YEAR           | Net Price to Dealer | PRICE   |
|---------------------------------|----------|---------------------------------------|----------------|---------------------|---------|
| <b>TOURING AND TORPEDO BODY</b> |          |                                       |                |                     |         |
| 57                              | 8198     | Anti-rattler (rear seat panel)        | 1916-20        |                     | \$ 0 35 |
| 57B                             | 7107     | Anti-rattler (deck front) Torp.       | 1920           |                     | 15      |
| 57C                             | 7108     | Anti-rattler (deck rear) Torp.        | 1919-20        |                     | 15      |
| 58                              | 8476     | Bar (rear seat) metal                 | 1915-17 and 20 |                     | 1 00    |
| 59                              | 5171     | Bar (rear seat) wood                  | 1918-19        |                     | 60      |
| 59B                             | 7243     | Bar assembly (rear seat frame) T. C.  | 1920           |                     | 75      |
| 60                              | 7146     | Board (rear floor)                    | 1915-19        |                     | 60      |
| 61                              | 5144     | Board (front heel)                    | 1915-20        |                     | 1 75    |
| 61B                             | 5187     | Board (rear heel) T. C.               | 1915-20        |                     | 2 00    |
| 62                              | 8349     | Board assem. (rear heel)              | 1916-20        |                     | 1 60    |
| 62B                             | 6606     | Board assembly (instrument)           | 1919-20        |                     | 2 00    |
| 63                              | 5197     | Board assem. (tool box bottom)        | 1915-1)        |                     | 1 35    |
| 64                              | 7148     | Board (rear seat toe) steel           | 1915-17 and 20 |                     | 1 50    |
| 65                              | 5162     | Board (rear seat toe) wood            | 1918-19        |                     | 1 35    |
| 66                              | 7266     | Bottom (front seat)                   | 1915-20        |                     | 1 25    |
| 67                              | 8372     | Bottom assem. (front seat) steel      | 1915-17 and 20 |                     | 1 80    |
| 68                              | 5131     | Bottom assem. (front seat) wood       | 1918-19        |                     | 1 50    |
| 69                              | 7143     | Box (under rear seat tool) steel      | 1915-17 and 20 |                     | 1 50    |
| 70                              | 5266     | Box (under rear seat tool) wood       | 1918-19        |                     | 1 00    |
| 71                              | 8191     | Brace (front seat)                    | 1916-20        |                     | 05      |
| 72                              | 5175     | Brace (rear seat frame riser)         | 1918-19        |                     | 15      |
| 73                              | 8003     | Bracket (cowl to body) R.             | 1915-17        |                     | 15      |
| 74                              | 8135     | Bracket (cowl to body) L.             | 1915-17        |                     | 15      |
| 75                              | 8469     | Bracket (cowl to body) R.             | 1918-20        |                     | 15      |
| 76                              | 8470     | Bracket (cowl to body) L.             | 1918-20        |                     | 20      |
| 77                              | 8474     | Bracket (dash pillar) R.              | 1917-20        |                     | 30      |
| 78                              | 8475     | Bracket (dash pillar) L.              | 1917-20        |                     | 30      |
| 79                              | 7144     | Bracket (rear trim rail to pillar) R. | 1915-20        |                     | 30      |
| 80                              | 7145     | Bracket (rear trim rail to pillar) L. | 1915-20        |                     | 30      |
| 81                              | 8350     | Cowl assem.                           | 1915-20        |                     | 4 00    |
| 81B                             | 7018     | Cowl assembly (Ford type)             | 1920           |                     | 4 00    |
| 82                              | 7023     | Deck assem. (rear) finished           | 1914-20        |                     | 13 00   |
| 83                              | 7023     | Deck assem. (rear) prime              | 1914-20        |                     | 9 00    |
| 84                              | 5116     | Door assem. (front) R.                | 1915-20        |                     | 6 00    |
| 85                              | 7118     | Door assem. (rear) R.                 | 1915-20        |                     | 6 00    |
| 86                              | 7119     | Door assem. (rear) L.                 | 1915-20        |                     | 6 00    |
| 87                              | 8021     | Door assem. (deck)                    | 1913-20        |                     | 2 50    |
| 87B                             | 5308     | Door (battery trap) Torp.             | 1920           |                     | 1 00    |
| 88                              | 5569     | Fastener assem. (deck door)           | 1913-20        |                     | 30      |
| 89                              | 7150     | Frame (front seat side) T. C.         | 1915-20        |                     | 60      |
| 90                              | 7149     | Frame (front seat rear) T. C.         | 1915-20        |                     | 60      |
| 91                              | 8429     | Frame (seat side) R., Torp.           | 1917-20        |                     | 35      |
| 92                              | 8430     | Frame (seat side) L., Torp.           | 1917-20        |                     | 35      |
| 93                              | 8442     | Frame (seat rear) Torp.               | 1917-20        |                     | 1 00    |

| Part No.                                  | Fac. No. | NAME                                     | YEAR           | Net Price to Dealer | PRICE |
|---|----------|--|----------------|---------------------|-------|
| <b>TOURING AND TORPEDO BODY—Continued</b> |          |  |                |                     |       |
| 94  | 8347     | Frame assem. (rear seat) R., steel       | 1916-17 and 20 | \$ 1 20             |       |
| 95  | 8348     | Frame assem. (rear seat) L., steel       | 1916-17 and 20 | 1 20                |       |
| 96  | 8332     | Frame assem. (front seat side) R.        | 1918-19        | 50                  |       |
| 97  | 8333     | Frame assem. (front seat side) L.        | 1918-19        | 50                  |       |
| 98  | 5218     | Frame assem. (rear seat) wood            | 1918-19        | 1 80                |       |
| 99  | 5297     | Hinge assem. (door)                      | 1914-20        | 50                  |       |
| 100                                       | 8002     | Hinge (seat bottom)                      | 1915-20        | 05                  |       |
| 101                                       | 5151     | Hinge (seat bottom) T. C.                | 1918-19        | 05                  |       |
| 102                                       | 5568     | Hinge (deck door)                        | 1913-20        | 10                  |       |
| 103                                       | 5189A    | Iron (rear seat corner top) L.           | 1915-17 and 20 | 60                  |       |
| 104                                       | 5189B    | Iron (rear seat corner top) L.           | 1918-19        | 60                  |       |
| 105                                       | 5190A    | Iron (rear seat corner top) R.           | 1915-17 and 20 | 60                  |       |
| 106                                       | 5190B    | Iron (rear seat corner top) R.           | 1918-19        | 60                  |       |
| 107                                       | 5178     | Iron (rear seat side top) L.             | 1915-20        | 55                  |       |
| 108                                       | 5179     | Iron (rear seat side top) R.             | 1915-20        | 55                  |       |
| 109                                       | 5145     | Iron (front seat top) T. C.              | 1915-20        | 55                  |       |
| 110                                       | 5389     | Iron (short top) Torp.                   | 1913-16        | 50                  |       |
| 111                                       | 8401     | Iron (short top) Torp.                   | 1917-20        | 60                  |       |
| 112                                       | 5392     | Iron (long top) R., Torp.                | 1913-16        | 60                  |       |
| 113                                       | 8431     | Iron (long top) R., Torp.                | 1917-20        | 60                  |       |
| 114                                       | 5391     | Iron (long top) L., Torp.                | 1913-16        | 60                  |       |
| 115                                       | 8432     | Iron (long top) L., Torp.                | 1917-20        | 60                  |       |
| 116                                       | 5679     | Lock (rear door) R.                      | 1913-20        | 50                  |       |
| 117                                       | 5680     | Lock (rear door) L. and Front R.         | 1913-20        | 50                  |       |
| 118                                       | 7128     | Panel (front door) R.                    | 1915-20        | 1 50                |       |
| 119                                       | 7120     | Panel (rear door) R.                     | 1915-20        | 1 75                |       |
| 120                                       | 7121     | Panel (rear door) L.                     | 1915-20        | 1 75                |       |
| 121                                       | 5123     | Panel (front side) R., T. C.             | 1915-20        | 6 00                |       |
| 122                                       | 5122     | Panel (front side) L., T. C.             | 1915-20        | 6 00                |       |
| 123                                       | 7159     | Panel (rear side) R., T. C.              | 1915-20        | 2 00                |       |
| 124                                       | 7160     | Panel (rear side) L., T. C.              | 1915-20        | 2 00                |       |
| 125                                       | 7147     | Panel (front seat back) T. C.            | 1915-20        | 5 00                |       |
| 126                                       | 7218     | Panel (rear seat back)                   | 1915-20        | 2 75                |       |
| 127                                       | 7157     | Panel (rear seat corner) R.              | 1915-20        | 2 00                |       |
| 128                                       | 7158     | Panel (rear seat corner) L.              | 1915-20        | 2 00                |       |
| 129                                       | 8449     | Panel and rail assem. (front back) T. C. | 1915-20        | 3 50                |       |
| 130                                       | 8450     | Panel and rail assem. (rear back)        | 1915-20        | 10 50               |       |
| 131                                       | 8453     | Panel and seat assem. (rear back)        | 1917-20        | 17 00               |       |
| 132                                       | 8156     | Panel and frame assem.—R., T. C.         | 1915-20        | 12 00               |       |
| 133                                       | 8157     | Panel and frame assem.—L., T. C.         | 1915-20        | 12 00               |       |
| 134                                       | 8420     | Panel and frame assem. (side) R., Torp.  | 1915-20        | 12 00               |       |
| 135                                       | 8421     | Panel and frame assem. (side) L., Torp.  | 1915-20        | 12 00               |       |
| 136                                       | 8132     | Panel (front side) R., Torp.             | 1915-20        | 3 25                |       |
| 137                                       | 8133     | Panel (front side) L., Torp.             | 1915-20        | 3 25                |       |
| 138                                       | 6638     | Panel (seat side) R., Torp.              | 1914-20        | 3 25                |       |

| Part No.                                  | Fac. No. | NAME   | YEAR           | Net Price to Dealer | PRICE |
|---|----------|--|----------------|---------------------|-------|
| <b>TOURING AND TORPEDO BODY—Continued</b> |          |  |                |                     |       |
| 139                                       | 6639     | Panel (seat side) L., Torp.                  | 1914-20        | \$3 25              |       |
| 140                                       | 6642     | Panel (deck side) R.                         | 1914-20        | 1 00                |       |
| 141                                       | 6641     | Panel (deck side) L.                         | 1914-20        | 1 00                |       |
| 142                                       | 6640     | Panel assem. (back and deck)                 | 1914-20        | 6 00                |       |
| 143                                       | 7193     | Pillar (dash) R.                             | 1915-20        | 20                  |       |
| 144                                       | 7194     | Pillar (dash) L.                             | 1915-20        | 20                  |       |
| 145                                       | 7195     | Pillar (panel) R.                            | 1915-20        | 35                  |       |
| 146                                       | 7196     | Pillar (panel) L.                            | 1915-20        | 35                  |       |
| 147                                       | 7197     | Pillar (front seat front) R.                 | 1915-20        | 35                  |       |
| 148                                       | 7198     | Pillar (front seat front) L.                 | 1915-20        | 35                  |       |
| 149                                       | 7200     | Pillar (front seat rear) R., T. C.           | 1915-20        | 35                  |       |
| 150                                       | 7201     | Pillar (front seat rear) L., T. C.           | 1915-20        | 35                  |       |
| 151                                       | 7202     | Pillar (rear seat) R.                        | 1915-20        | 60                  |       |
| 152                                       | 7203     | Pillar (rear seat) L.                        | 1915-20        | 60                  |       |
| 153                                       | 7270     | Post (front door front)                      | 1915-20        | 30                  |       |
| 154                                       | 7271     | Post (front door rear)                       | 1915-20        | 30                  |       |
| 155                                       | 7278     | Post (rear door front) R.                    | 1915-20        | 30                  |       |
| 156                                       | 7279     | Post (rear door front) L.                    | 1915-20        | 30                  |       |
| 157                                       | 7280     | Post (rear door rear) R.                     | 1915-20        | 30                  |       |
| 158                                       | 7281     | Post (rear door rear) L.                     | 1915-20        | 30                  |       |
| 159                                       | 7015     | Plate (rear lock striker) R.                 | 1914-16        | 05                  |       |
| 160                                       | 7017     | Plate (rear lock striker) L. and Frt. R.     | 1914-16        | 05                  |       |
| 161                                       | 8433     | Plate (lock striker)                         | 1917-20        | 15                  |       |
| 162                                       | 5205     | Pin (door hinge)                             | 1912-20        | 01                  |       |
| 163                                       | 7216     | Rail (front seat trim)                       | 1915-20        | 1 25                |       |
| 164                                       | 7240     | Rail (rear seat trim)                        | 1915-20        | 1 25                |       |
| 166                                       | 7204     | Rail (front top) R.                          | 1915-20        | 45                  |       |
| 167                                       | 7205     | Rail (front top) L.                          | 1915-20        | 45                  |       |
| 168                                       | 7295     | Retainer (rear floor board)                  | 1915-19        | 15                  |       |
| 169                                       | 7291     | Riser (front floor board) R.                 | 1915-20        | 30                  |       |
| 170                                       | 7292     | Riser (front floor board) L.                 | 1915-20        | 30                  |       |
| 171                                       | 5176     | Riser (rear seat frame) R.                   | 1918-19        | 35                  |       |
| 172                                       | 5177     | Riser (rear seat frame) L.                   | 1918-19        | 35                  |       |
| 173                                       | 5191     | Riser (rear seat frame) rear                 | 1918-19        | 60                  |       |
| 174                                       | 8160     | Sill assem. (rear end) T. C.                 | 1915-17 and 20 | 2 40                |       |
| 175                                       | 5163     | Sill assem. (rear end) T. C.                 | 1918-19        | 1 00                |       |
| 176                                       | 8050     | Sill (end) Torp.                             | 1915-20        | 1 00                |       |
| 177                                       | 7175     | Sill assem.—R., T. C.                        | 1915-20        | 3 50                |       |
| 178                                       | 7176     | Sill assem.—L., T. C.                        | 1915-20        | 3 50                |       |
| 179                                       | 8462     | Sill assem. (rear side) R., Torp.            | 1915-20        | 5 40                |       |
| 180                                       | 8463     | Sill assem. (rear side) L., Torp.            | 1915-20        | 5 40                |       |
| 181                                       | 8063     | Spring (front cushion) T. C.                 | 1915-20        | 2 50                |       |
| 182                                       | 8063     | Spring (front cushion) Torp. for metal frame | 1917-20        | 2 50                |       |
| 183                                       | 5671     | Spring (front cushion) Torp. for wood frame  | 1915-16 and 20 | 2 50                |       |
| 184                                       | 8151     | Spring (front back) T. C.                    | 1916-20        | 1 50                |       |

| Part No.                                  | Fac. No. | NAME   | YEAR           | Net Price to Dealer | PRICE  |
|---|----------|--|----------------|---------------------|--------|
| <b>TOURING AND TORPEDO BODY—Continued</b> |          |  |                |                     |        |
| 185                                       | 8336     | Spring (seat back) Torp.                     | 1915-20        |                     | \$2 00 |
| 186                                       | 8152     | Spring (rear back) T. C.                     | 1916-20        |                     | 2 00   |
| 187                                       | 5670     | Spring (rear cushion) T. C.                  | 1914-20        |                     | 3 00   |
| 188                                       | 5454     | Strap (door)                                 | 1913-20        |                     | 15     |
| 189                                       | 7138     | Strainer (rear seat)                         | 1915-20        |                     | 40     |
| 190                                       | 7124     | Strip (cowl finishing)                       | 1915-19        |                     | 30     |
| 191                                       | 7225     | Strip (front seat side trim) T. C.           | 1915-20        |                     | 15     |
| 192                                       | 7226     | Strip (front seat rear trim) T. C.           | 1915-20        |                     | 15     |
| 193                                       | 7227     | Strip (front seat corner trim) T. C.         | 1915-20        |                     | 10     |
| 194                                       | 7228     | Strip (rear seat side trim) R.               | 1915-17 and 20 |                     | 10     |
| 195                                       | 8012     | Strip (rear seat side trim) L.               | 1915-17 and 20 |                     | 10     |
| 196                                       | 5150     | Strip (rear seat side trim)                  | 1918-19        |                     | 15     |
| 197                                       | 7229     | Strip (rear seat rear trim)                  | 1915-17 and 20 |                     | 15     |
| 198                                       | 5149     | Strip (rear seat rear trim)                  | 1918-19        |                     | 15     |
| 199                                       | 7230     | Strip (rear seat corner trim)                | 1915-17 and 20 |                     | 10     |
| 200                                       | 5147     | Strip (rear seat corner trim)                | 1918-19        |                     | 10     |
| 201                                       | 7219     | Strip (panel trim)                           | 1915-20        |                     | 10     |
| 202                                       | 7220     | Strip (panel trim)                           | 1915-20        |                     | 10     |
| 203                                       | 7152     | Strip (front seat panel and heel board ret.) | 1915-20        |                     | 15     |
| 204                                       | 8395     | Strip (rear seat back panel batten)          | 1916-20        |                     | 15     |
| 205                                       | 7153     | Support (trim rail)                          | 1915-20        |                     | 20     |
| 206                                       | 8077     | Upholstering assem. (front seat back)        | 1915-20        | 7 50                |        |
| 207                                       | 8078     | Upholstering assem. (rear seat back)         | 1915-20        | 7 50                |        |
| 208                                       | 8083     | Upholstering assem. (blind door)             | 1915-20        |                     | 60     |
| 209                                       | 8084     | Upholstering assem. (front) R.               | 1915-20        |                     | 30     |
| 210                                       | 8085     | Upholstering assem. (front door) R.          | 1915-20        |                     | 45     |
| 211                                       | 8086     | Upholstering assem. (rear door) R.           | 1915-20        |                     | 45     |
| 212                                       | 8087     | Upholstering assem. (rear door) L.           | 1915-20        |                     | 45     |





56 Body

TORPEDO BODY

| Part No.             | Fac. No. | NAME                                      | YEAR    | Net Price to Dealer | PRICE   |
|----------------------|----------|---|---------|---------------------|---------|
| <b>COUPELET BODY</b> |          |   |         |                     |         |
| 214                  | 9127     | Anti-rattler (door window) upper          | 1915    |                     | \$ 0 05 |
| 215                  | 9455     | Anti-rattler (door window) lower, Cp. Sn. | 1915-20 |                     | 01      |
| 216                  | 9147     | Ball (top lock cam)                       | 1915-16 |                     | 02      |
| 217                  | 9932     | Beading (roof)                            | 1919-20 |                     | 7 50    |
| 218                  | 9700     | Bolt (det. pillar lock clamp)             | 1917-19 |                     | 25      |
| 219                  | 9175     | Bow (rear main)                           | 1916    |                     | 9 75    |
| 220                  | 9660     | Bow (middle aux.)                         | 1915-16 |                     | 1 50    |
| 221                  | 9176     | Bow assem. (middle aux.)                  | 1915-16 |                     | 9 30    |
| 222                  | 9458     | Brace (front pillar) R.                   | 1915-20 |                     | 30      |
| 223                  | 9459     | Brace (front pillar) L.                   | 1915-20 |                     | 30      |
| 224                  | 9105     | Bracket (hand rail) Cp. Tn. Sn.           | 1915-20 |                     | 15      |
| 225                  | 6927     | Bumper (door) Cp. Tn. Sn.                 | 1915-20 |                     | 10      |
| 226                  | 6932     | Bumper (roof rail) Cp. Sn.                | 1915-20 |                     | 10      |
| 227                  | 9486     | Bumper (deck door)                        | 1916-20 |                     | 10      |
| 228                  | 7260     | Bracket (dash lamp)                       | 1915-19 |                     | 30      |
| 229                  | 9581     | Cam (top lock) R.                         | 1916    |                     | 30      |
| 230                  | 9582     | Cam (top lock) L.                         | 1916    |                     | 30      |
| 231                  | 9054     | Carpet (floor)                            | 1915-20 |                     | 7 00    |
| 232                  | 9101     | Casing (door bumper) Cp. Tn. Sn.          | 1915-20 |                     | 15      |
| 233                  | 9768     | Channel (back glass rubber)               | 1918-20 |                     | 85      |
| 234                  | 9647     | Channel (door glass up. rubber)           | 1916-19 |                     | 40      |
| 235                  | 9071     | Cord (blue binding) Cp. 1915 Tn.          | 1915-18 |                     | 03yd    |
| 236                  | 9185     | Cowl                                      | 1915-19 |                     | 12 00   |
| 237                  | 9462     | Cushion (window) Cp. Tn. Sn.              | 1915-20 |                     | 10      |
| 238                  | 9621A    | Cushion (seat) (imitation leather)        | 1916-17 | \$15 00             | 20 00   |
| 239                  | 9621B    | Cushion (seat) (whipcord) (Sn. 1920)      | 1918-20 | 14 00               | 17 50   |
| 240                  | 9160     | Cushion (rear prop.)                      | 1915-16 |                     | 35      |
| 241                  | 9583     | Covering (bow metal) R.                   | 1916    |                     | 70      |
| 242                  | 9584     | Covering (bow metal) L.                   | 1916    |                     | 70      |
| 242B                 | 10645    | Door (battery trap)                       | 1920    |                     | 25      |
| 243                  | 9586     | Door less window—R.                       | 1915-16 | 25 00               | 32 00   |
| 244                  | 9585     | Door less window—L.                       | 1915-16 | 25 00               | 32 00   |
| 245                  | 9701     | Door less window—R.                       | 1917    | 32 00               | 40 00   |
| 246                  | 9702     | Door less window—L.                       | 1917    | 32 00               | 40 00   |
| 247                  | 9886     | Door less window—R.                       | 1918-19 | 35 00               | 45 00   |
| 247B                 | 10700    | Door less window—R.                       | 1920    | 35 00               | 45 00   |
| 248                  | 9887     | Door less window—L.                       | 1918-19 | 35 00               | 45 00   |
| 248B                 | 10701    | Door less window—L.                       | 1920    | 35 00               | 45 00   |
| 249                  | 9556     | Door assem. (deck)                        | 1916-20 |                     | 10 00   |
| 250                  | 9152     | Dowel and plate (falling pillar)          | 1915-16 |                     | 75      |
| 251                  | 9816     | Felt (window sash) Cp. Tn. Sn.            | 1915-20 |                     | 60      |
| 252                  | 9703     | Ferrule (door grip)                       | 1917-20 |                     | 45      |
| 253                  | 9463     | Ferrule (falling pillar)                  | 1915-16 |                     | 15      |
| 254                  | 9464     | Filler (door dove-tail socket)            | 1915-19 |                     | 02      |
| 255                  | 9111     | Flapper assem. (door window) Front R.     | 1915-19 |                     | 2 00    |

| Part No.                       | Fac. No. | NAME   | YEAR    | Net Price to Dealer | PRICE |
|--------------------------------|----------|--|---------|---------------------|-------|
| <b>COUPELET BODY—Continued</b> |          |  |         |                     |       |
| 256                            | 9112     | Flapper assem. (door window) Front L.        | 1915-19 | \$ 2 00             |       |
| 257                            | 9113     | Flapper assem. (door window) Rear R.         | 1915-19 | 2 00                |       |
| 258                            | 9114     | Flapper assem. (door window) Rear L.         | 1915-19 | 2 00                |       |
| 259                            | 9180     | Frame (back glass) Cp. 1915-16 Tn.           | 1915-18 | 2 45                |       |
| 260                            | 9906     | Frame (back glass)                           | 1917    | 2 50                |       |
| 261                            | 9907     | Frame (back glass)                           | 1918-20 | 2 50                |       |
| 262                            | 9931     | Frame assem. (roof)                          | 1917-19 | \$19 00             | 25 00 |
| 262B                           | 8649B    | Garnish (door) R.                            | 1920    | 1 00                |       |
| 262C                           | 8679B    | Garnish (door) L.                            | 1920    | 1 00                |       |
| 263                            | 9622     | Glass (door window)                          | 1916    | 7 50                |       |
| 264                            | 9740     | Glass (door window)                          | 1917    | 7 50                |       |
| 265                            | 9836     | Glass (door window)                          | 1918-19 | 6 50                |       |
| 265B                           | 8127     | Glass (door window)                          | 1920    | 8 50                |       |
| 266                            | 9566     | Glass (side window)                          | 1916    | 20                  |       |
| 267                            | 9705     | Glass (side window)                          | 1917    | 4 00                |       |
| 268                            | 9864     | Glass (side window)                          | 1918-19 | 4 00                |       |
| 268B                           | 8639     | Glass (side window)                          | 1920    | 6 00                |       |
| 269                            | 9053     | Glass (back window) Cp. 1915-16 Tn.          | 1915-18 | 3 50                |       |
| 270                            | 9704     | Glass (back window)                          | 1917    | 3 50                |       |
| 271                            | 9885     | Glass (back window)                          | 1918-20 | 3 50                |       |
| 272                            | 9057     | Handle (door lock lever) Cp. Tn. Sn.         | 1915-19 | 20                  |       |
| 273                            | 9058     | Handle (door lock) outside black Cp. Tn. Sn. | 1915-19 | 1 25                |       |
| 274                            | 9148     | Handle (top lock)                            | 1915-16 | 25                  |       |
| 274B                           | 10543    | Header (door) R.                             | 1920    | 2 00                |       |
| 274C                           | 10544    | Header (door) L.                             | 1920    | 2 00                |       |
| 275                            | 9481     | Hinge (deck door)                            | 1916-20 | 75                  |       |
| 276                            | 9577     | Hinge (door upper)                           | 1916    | 40                  |       |
| 277                            | 9578     | Hinge (door middle)                          | 1916    | 40                  |       |
| 278                            | 9579A    | Hinge (door lower) L. Briggs                 | 1920    | 70                  |       |
| 278B                           | 9579B    | Hinge (door lower) L. Fisher                 | 1915-20 | 70                  |       |
| 278C                           | 8636A    | Hinge (door lower) R. Briggs                 | 1920    | 70                  |       |
| 278D                           | 8636B    | Hinge (door lower) R. Fisher                 | 1915-20 | 70                  |       |
| 279                            | 9746     | Hinge (door upper) R.                        | 1917-19 | 70                  |       |
| 279B                           | 8630A    | Hinge (door upper) R. Briggs                 | 1920    | 70                  |       |
| 279C                           | 8630B    | Hinge (door upper) R. Fisher                 | 1920    | 70                  |       |
| 280                            | 9747     | Hinge (door upper) L.                        | 1917-19 | 70                  |       |
| 280B                           | 8631A    | Hinge (door upper) L. Briggs                 | 1920    | 70                  |       |
| 280C                           | 8631B    | Hinge (door upper) L. Fisher                 | 1920    | 70                  |       |
| 281                            | 9748     | Hinge (door middle) R.                       | 1917-19 | 70                  |       |
| 281B                           | 8624A    | Hinge (door middle) R. Briggs                | 1920    | 70                  |       |
| 281C                           | 8624B    | Hinge (door middle) R. Fisher                | 1920    | 70                  |       |
| 282                            | 9749     | Hinge (door middle) L.                       | 1917-19 | 70                  |       |
| 282B                           | 8625A    | Hinge (door middle) L. Briggs                | 1920    | 70                  |       |
| 282C                           | 8625B    | Hinge (door middle) L. Fisher                | 1920    | 70                  |       |
| 283                            | 9131     | Hinge (seat lid)                             | 1915-19 | 05                  |       |

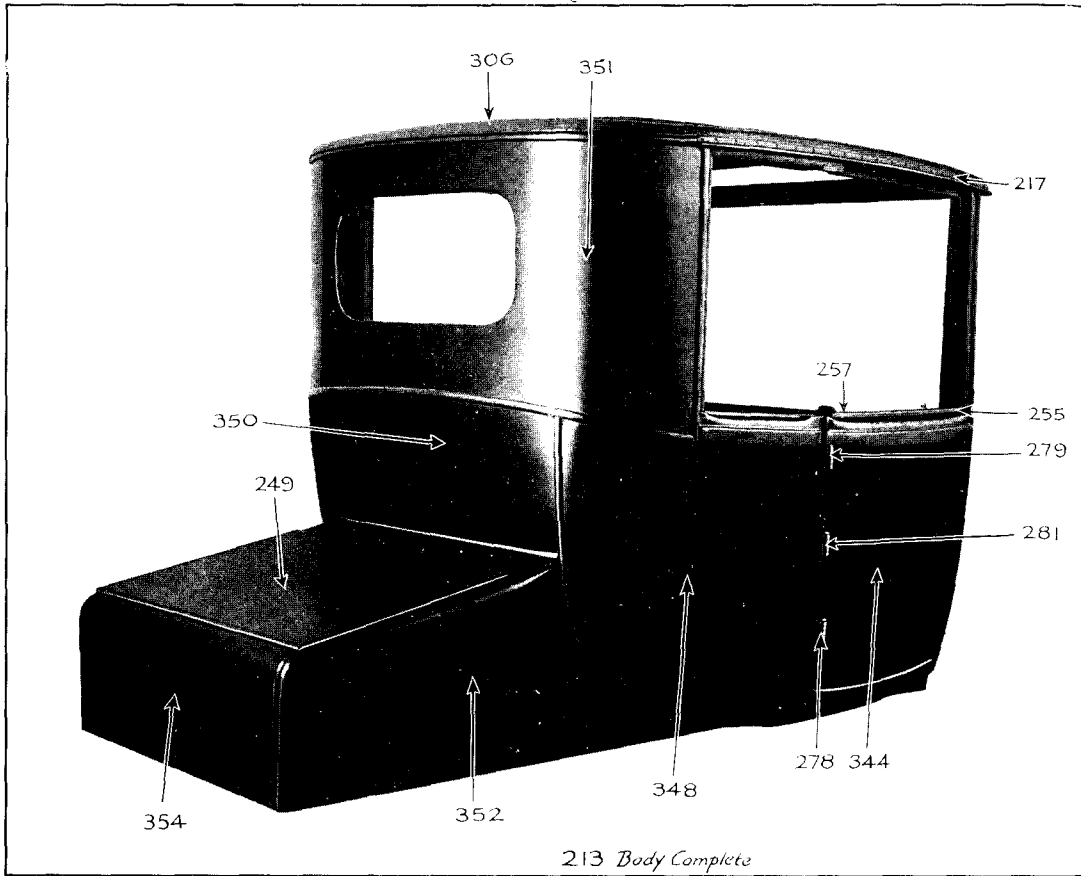
| Part No.                       | Fac. No. | NAME                                      | YEAR    | Net Price to Dealer | PRICE |
|--------------------------------|----------|---|---------|---------------------|-------|
| <b>COUPELET BODY—Continued</b> |          |   |         |                     |       |
| 284                            | 9154     | Hinge (falling pillar)                    | 1915-16 | \$ 2 50             |       |
| 285                            | 9744     | Hinge (det. pillar up. half) R.           | 1917-19 | 50                  |       |
| 286                            | 9745     | Hinge (det. pillar up. half) L.           | 1917-19 | 50                  |       |
| 287                            | 9178     | Iron (bow slat) Cp. 1915 Tn.              | 1915-19 | 50                  |       |
| 288                            | 9539     | Iron (bow slat)                           | 1916    | 70                  |       |
| 289                            | 9171     | Joint (short prop.) R.                    | 1915-16 | 30                  |       |
| 290                            | 9172     | Joint (short prop.) L.                    | 1915-16 | 30                  |       |
| 291                            | 9173     | Joint (long prop.) R.                     | 1915-16 | 3 00                |       |
| 292                            | 9174     | Joint (long prop.) L.                     | 1915-16 | 3 00                |       |
| 293                            | 9484     | Key (deck door)                           | 1916-20 | 15                  |       |
| 294                            | 9128     | Knob (door window vent.) Cp. Tn. Sn.      | 1915-20 | 10                  |       |
| 295                            | 9070     | Lace (blue pasting) Cp. 1915 Tn.          | 1915-18 | 25yd                |       |
| 296                            | 9628     | Lace (green pasting)                      | 1916-17 | 25yd                |       |
| 297                            | 10342    | Lace (gray pasting) Cp. 1918-20 Sn.       | 1915-20 | 30yd                |       |
| 298                            | 10309    | Lace (gray pasting) Cp. 1918-20 Sn.       | 1915-20 | 40yd                |       |
| 299                            | 9589     | Leather (deck and quarter) with pads      | 1916    | 13 00               |       |
| 300                            | 9590     | Leather—R.                                | 1916    | 6 00                |       |
| 301                            | 9591     | Leather—L.                                | 1916    | 6 00                |       |
| 302                            | 9588     | Leather assembly (back)                   | 1916    | \$15 00             | 20 00 |
| 303                            | 9687     | Leather complete (collapsible top)        | 1916    | 18 00               | 25 00 |
| 304                            | 9725     | Leather (upper back panel)                | 1917    | 5 25                |       |
| 305                            | 9726     | Leather (roof)                            | 1917    | 16 50               | 24 00 |
| 306                            | 9936     | Leather (roof)                            | 1919-20 | 13 00               |       |
| 307                            | 9182     | Lever (door lock) Cp. Tn. Sn.             | 1915-19 | 15                  |       |
| 307B                           | 9182B    | Lever (door lock) Cp. Sn.                 | 1920    | 35                  |       |
| 308                            | 9130     | Lid (seat)                                | 1915-19 | 3 00                |       |
| 309                            | 9551     | Lifter (door window leather)              | 1915-17 | 3 00                |       |
| 310                            | 9551B    | Lifter (door window whipcord)             | 1918-20 | 3 00                |       |
| 311                            | 9916     | Lifter (side window leather)              | 1917    | 3 00                |       |
| 312                            | 9917     | Lifter (side window whipcord)             | 1918-20 | 3 00                |       |
| 313                            | 9200     | Lining (blue) Cp. 1915, Tn.               | 1915-18 | 3 50yd              |       |
| 314                            | 9552     | Lining (green)                            | 1916-17 | 3 50yd              |       |
| 315                            | 9898     | Lining only (green)                       | 1916    | 16 00               |       |
| 316                            | 9919     | Lining only (green)                       | 1917    | 7 00                |       |
| 317                            | 9670     | Lining (whipcord) Cp. 1918-20 Sn.         | 1915-20 | 6 00yd              |       |
| 318                            | 9956     | Lining (whipcord head)                    | 1918-20 | 7 00                |       |
| 319                            | 9482     | Lock (deck door)                          | 1916-20 | 60                  |       |
| 320                            | 9051     | Lock less handle (door) L. Sn.—R. Cp. Tn. | 1915-19 | 1 25                |       |
| 320B                           | 9051B    | Lock less handle (door) L. Sn.—R. Cp.     | 1920    | 1 25                |       |
| 321                            | 9052     | Lock less handle (door) R. Sn.—L. Cp. Tn. | 1915-19 | 1 25                |       |
| 321B                           | 9052B    | Lock less handle (door) R. Sn.—L. Cp.     | 1920    | 1 25                |       |
| 322                            | 9068     | Lock complete (top) R.                    | 1915-16 | 1 75                |       |
| 323                            | 9069     | Lock complete (top) L.                    | 1915-16 | 1 75                |       |
| 324                            | 9141     | Lock (top male) R.                        | 1915-16 | 45                  |       |
| 325                            | 9142     | Lock (top male) L.                        | 1915-16 | 45                  |       |



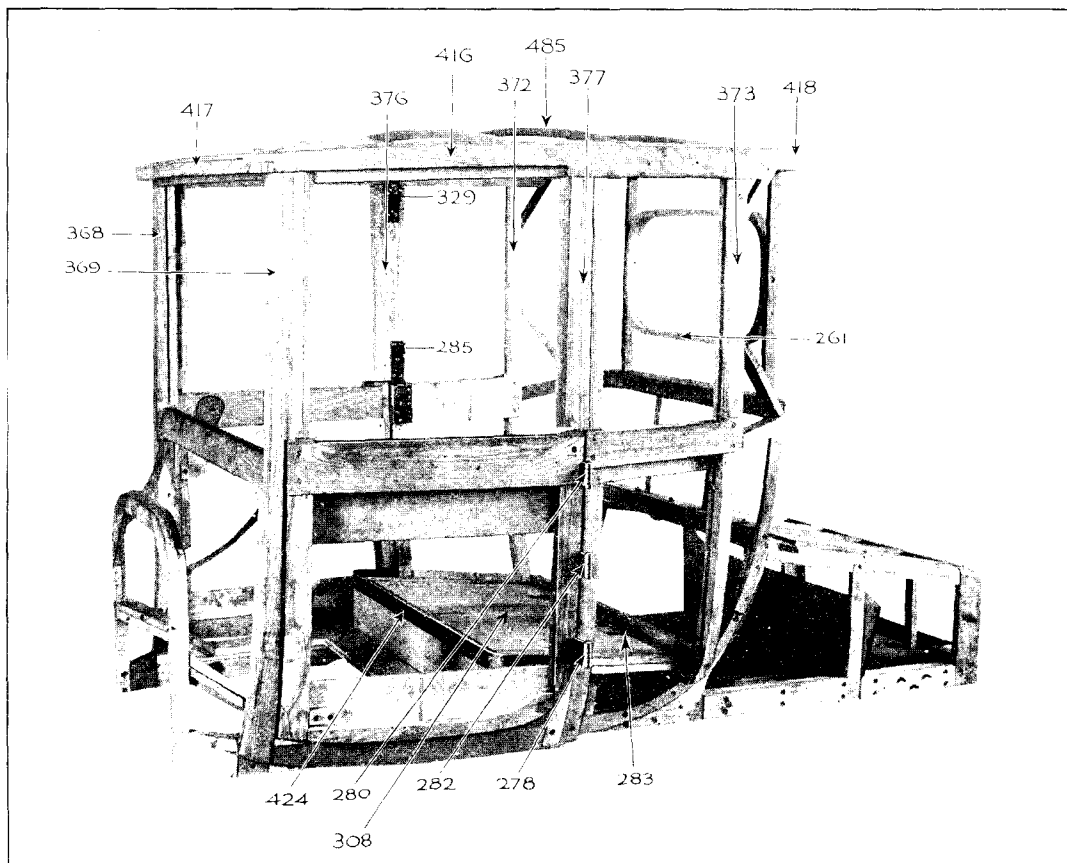
- Use 1918 Faber Board? See 306!

| Part No.                       | Fac. No. | NAME                                 | YEAR    | Net Price to Dealer | PRICE |
|--------------------------------|----------|--------------------------------------|---------|---------------------|-------|
| <b>COUPELET BODY—Continued</b> |          |                                      |         |                     |       |
| 326                            | 9143     | Lock (top female) R.                 | 1915-16 | \$ 1 00             |       |
| 327                            | 9144     | Lock (top female) L.                 | 1915-16 | 1 00                |       |
| 328                            | 9710     | Lock (det. pillar roof)              | 1917-19 | 30                  |       |
| 329                            | 9711     | Lock (det. pillar upper end)         | 1917-19 | 40                  |       |
| 331                            | 9467     | Moulding (door window) R.            | 1916-19 | 1 00                |       |
| 332                            | 9468     | Moulding (door window) L.            | 1916-19 | 1 00                |       |
| 333                            | 9941     | Moulding (side window)               | 1917-19 | 1 15                |       |
| 334                            | 9929     | Moulding (side window side)          | 1917-19 | 1 15                |       |
| 335                            | 9713     | Moulding (deck door opening)         | 1916-20 | 1 15                |       |
| 336                            | 9719     | Moulding (roof drip)                 | 1917-20 | 3 20                |       |
| 337                            | 9720     | Nut (det. pillar clamp bolt)         | 1917-19 | 30                  |       |
| 338                            | 9088     | Nut (top lock)                       | 1915-16 | 15                  |       |
| 339                            | 9077     | Nut (prop.) Cp. 1915-16 Tn.          | 1915-18 | 05                  |       |
| 340                            | 9601     | Pad (window sash) Cp. Tn. Sn.        | 1915-19 | 50                  |       |
| 341                            | 9184     | Pawl (door lock plunger) Cp. Tn. Sn. | 1915-20 | 10                  |       |
| 342                            | 9186     | Panel (door) R.                      | 1915-16 | 2 75                |       |
| 343                            | 9187     | Panel (door) L.                      | 1915-16 | 2 75                |       |
| 344                            | 9721     | Panel (door) R.                      | 1917-19 | 6 00                |       |
| 344B                           | 9721B    | Panel (door) R.                      | 1920    | 6 00                |       |
| 345                            | 9722     | Panel (door) L.                      | 1917-19 | 6 00                |       |
| 345B                           | 9722B    | Panel (door) L.                      | 1920    | 6 00                |       |
| 346                            | 9188     | Panel (side) R.                      | 1915-16 | 4 00                |       |
| 347                            | 9189     | Panel (side) L.                      | 1915-16 | 4 00                |       |
| 348                            | 9723     | Panel (side) R.                      | 1917-19 | 11 00               |       |
| 348B                           | 9723B    | Panel (side) R.                      | 1920    | 12 50               |       |
| 349                            | 9724     | Panel (side) L.                      | 1917-19 | 11 00               |       |
| 349B                           | 9724B    | Panel (side) L.                      | 1920    | 12 50               |       |
| 350                            | 9190     | Panel (back lower)                   | 1915-19 | 8 50                |       |
| 351                            | 9945     | Panel (back upper)                   | 1918-20 | 12 00               |       |
| 352                            | 9191     | Panel (deck) R.                      | 1915-20 | 4 50                |       |
| 353                            | 9192     | Panel (deck) L.                      | 1915-20 | 4 50                |       |
| 354                            | 9469     | Panel (deck rear) below door         | 1916-20 | 2 00                |       |
| 355                            | 9954     | Panel (roof)                         | 1918    | 11 00               |       |
| 356                            | 9654     | Pin (door hinge) Cp. Sn.             | 1915-20 | 03                  |       |
| 357                            | 9479     | Pin (window lifter) Cp. Tn. Sn.      | 1915-20 | 03                  |       |
| 357B                           | 10540    | Pillar (door hinge) in door—R.       | 1920    | 6 00                |       |
| 357C                           | 10541    | Pillar (door hinge) in door—L.       | 1920    | 6 00                |       |
| 357D                           | 10538    | Pillar (door lock) in door—R.        | 1920    | 6 00                |       |
| 357E                           | 10539    | Pillar (door lock) in door—L.        | 1920    | 6 00                |       |
| 358                            | 9648     | Pillar (falling) R.                  | 1915-16 | 2 00                |       |
| 359                            | 9652     | Pillar (falling) L.                  | 1915-16 | 2 00                |       |
| 360                            | 9649     | Pillar (front up.) R.                | 1915-16 | 2 50                |       |
| 361                            | 9653     | Pillar (front up.) L.                | 1915-16 | 2 50                |       |
| 362                            | 9650     | Pillar (front low) R.                | 1915-16 | 2 50                |       |
| 363                            | 9651     | Pillar (front low) L.                | 1915-16 | 2 50                |       |

| Part No.                       | Fac. No. | NAME                                       | YEAR    | Net Price to Dealer | PRICE |
|--------------------------------|----------|--|---------|---------------------|-------|
| <b>COUPELET BODY—Continued</b> |          |  |         |                     |       |
| 364                            | 9489     | Pillar assem. (front) R.                   | 1915-16 | \$ 5 00             |       |
| 365                            | 9490     | Pillar assem. (front) L.                   | 1915-16 | 5 00                |       |
| 366                            | 9736     | Pillar (front) R.                          | 1917    | 5 00                |       |
| 367                            | 9737     | Pillar (front) L.                          | 1917    | 5 00                |       |
| 368                            | 9939     | Pillar (front) R.                          | 1918-19 | 8 50                |       |
| 369                            | 9940     | Pillar (front) L.                          | 1918-19 | 8 50                |       |
| 370                            | 9769     | Pillar (rear) R.                           | 1917    | 4 00                |       |
| 371                            | 9770     | Pillar (rear) L.                           | 1917    | 4 00                |       |
| 372                            | 9965     | Pillar (rear) R.                           | 1918-19 | 5 00                |       |
| 373                            | 9966     | Pillar (rear) L.                           | 1918-19 | 5 00                |       |
| 374                            | 9730     | Pillar assem. (det. top lock) R.           | 1917    | 10 50               |       |
| 375                            | 9760     | Pillar assem. (det. top lock) L.           | 1917    | 10 50               |       |
| 376                            | 9943     | Pillar assem. (det. top lock) R.           | 1918-19 | 10 50               |       |
| 377                            | 9944     | Pillar assem. (det. top lock) L.           | 1918-19 | 10 50               |       |
| 378                            | 9106     | Plate (door sill) R.                       | 1915-16 | 80                  |       |
| 379                            | 9107     | Plate (door sill) L.                       | 1915-16 | 80                  |       |
| 380                            | 9727     | Plate (door sill) R.                       | 1917-20 | 80                  |       |
| 381                            | 9728     | Plate (door sill) L.                       | 1917-20 | 80                  |       |
| 382                            | 9741     | Plate (door lever handle) Cp. Sn.          | 1918-19 | 15                  |       |
| 383                            | 9055     | Plate (door lock lever) R. Cp. Tn.—L. Sn.  | 1915-19 | 15                  |       |
| 384                            | 9056     | Plate (door lock lever) L. Cp. Tn.—R. Sn.  | 1915-19 | 15                  |       |
| 385                            | 6879     | Plate (window lifter riveting) Cp. Tn. Sn. | 1915-20 | 15                  |       |
| 386                            | 9073     | Plate (window lifter strap) Cp. Tn. Sn.    | 1915-20 | 05                  |       |
| 387                            | 9487     | Plate (deck door bumper)                   | 1916-20 | 06                  |       |
| 388                            | 9153     | Plate (falling pillar dowel)               | 1915-16 | 30                  |       |
| 389                            | 9194     | Plate (top lock) R.                        | 1915-16 | 20                  |       |
| 390                            | 9195     | Plate (top lock) L.                        | 1915-16 | 20                  |       |
| 400                            | 7590     | Plunger (door lock) R. Cp. Tn. Sn.         | 1915-20 | 25                  |       |
| 401                            | 9454     | Plunger (door lock) L. Cp. Tn. Sn.         | 1915-20 | 25                  |       |
| 402                            | 9470     | Plunger (door dove-tail)                   | 1915-19 | 10                  |       |
| 403                            | 9948     | Post (door hinge) R.                       | 1915-16 | 8 00                |       |
| 404                            | 9950     | Post (door hinge) L.                       | 1915-16 | 8 00                |       |
| 405                            | 9771     | Post (body hinge) R.                       | 1917-19 | 7 00                |       |
| 406                            | 9772     | Post (body hinge) L.                       | 1917-19 | 7 00                |       |
| 407                            | 9155     | Prop. (falling pillar) R.                  | 1915-16 | 70                  |       |
| 408                            | 9156     | Prop. (falling pillar) L.                  | 1915-16 | 70                  |       |
| 409                            | 9161     | Prop. (roof rail) R.                       | 1915-16 | 25                  |       |
| 410                            | 9165     | Prop. (roof rail) L.                       | 1915-16 | 25                  |       |
| 411                            | 9157     | Prop. (rear) R. Cp. 1915-16 Tn.            | 1915-18 | 1 25                |       |
| 412                            | 9158     | Prop. (rear) L. Cp. 1915-16 Tn.            | 1915-18 | 1 25                |       |
| 413                            | 9592     | Rail (hand) Cp. Tn. Sn.                    | 1916-20 | 40                  |       |
| 414                            | 9170     | Rail assem. (roof)                         | 1915-16 | 8 75                |       |
| 415                            | 9761     | Rail (roof) R.                             | 1917-19 | 7 50                |       |
| 415B                           | 10554    | Rail (roof) R.                             | 1920    | 7 50                |       |
| 416                            | 9762     | Rail (roof) L.                             | 1917-19 | 7 50                |       |



COUPELET BODY



COUPELET BODY PARTS

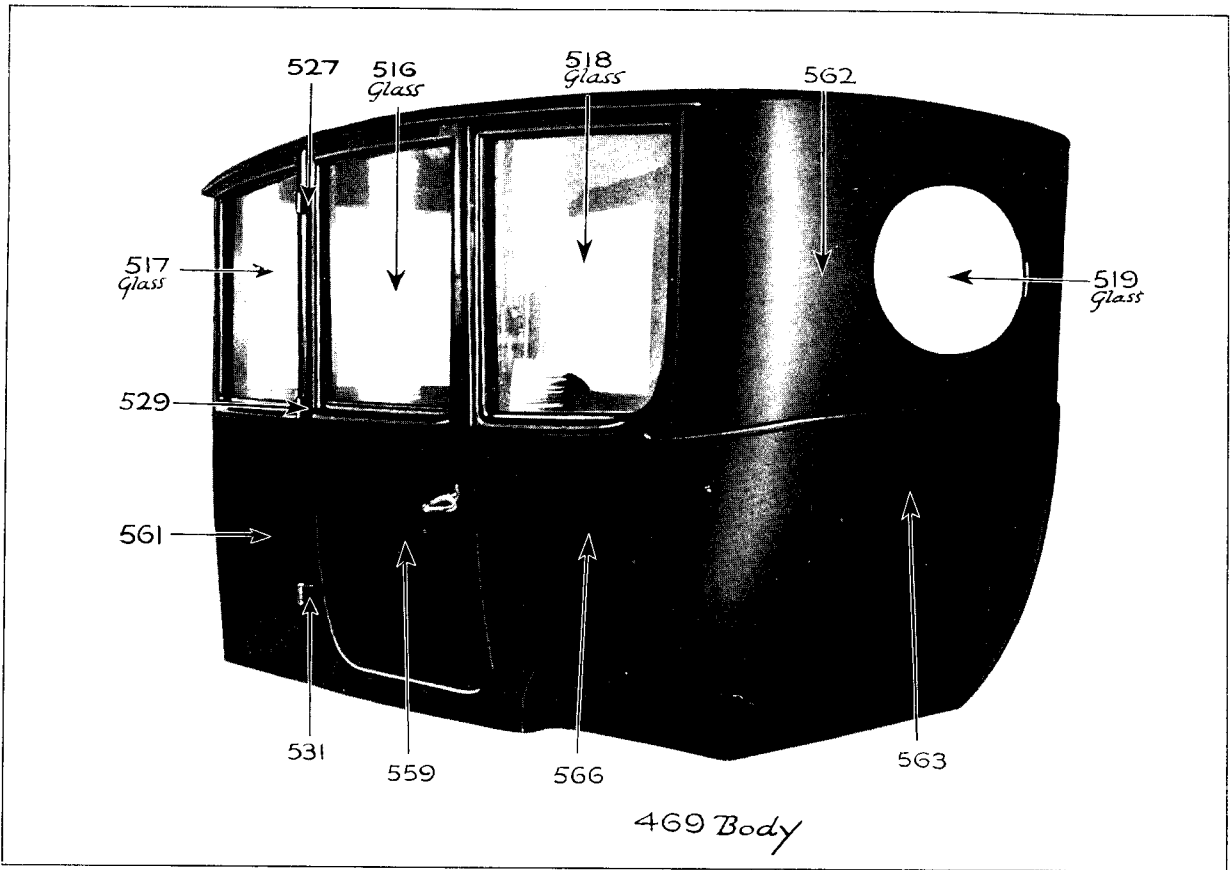
| Part No.                       | Fac. No. | NAME                                       | YEAR    | Net Price to Dealer | PRICE   |
|--------------------------------|----------|--|---------|---------------------|---------|
| <b>COUPELET BODY—Continued</b> |          |  |         |                     |         |
| 416B                           | 10555    | Rail (roof) L.                             | 1920    |                     | \$ 7 50 |
| 417                            | 10553    | Rail (roof) front                          | 1917-20 |                     | 3 50    |
| 418                            | 10556    | Rail (roof) rear                           | 1917-20 |                     | 5 00    |
| 419                            | 9168     | Retainer (prop. nut) Up Cp. 1915-16 Tn.    | 1915-18 |                     | 05      |
| 420                            | 9169     | Retainer (prop. nut) Lower Cp. 1915-16 Tn. | 1915-18 |                     | 05      |
| 421                            | 9181     | Retainer (head lining)                     | 1915-16 |                     | 45      |
| 422                            | 9908     | Retainer (back glass)                      | 1917    |                     | 1 00    |
| 423                            | 9905     | Retainer (back glass)                      | 1918-20 |                     | 1 00    |
| 424                            | 9140     | Retainer (seat cushion) inc. leather       | 1915-20 |                     | 1 00    |
| 425                            | 9930     | Roof assem.                                | 1917    | \$28 00             | 35 00   |
| 426                            | 9955     | Roof assem.                                | 1918    | 25 00               | 33 00   |
| 427                            | 9933     | Roof assem.                                | 1919    | 36 00               | 45 00   |
| 427B                           | 9934     | Roof assem.                                | 1920    | 37 50               | 47 50   |
| 428                            | 9624     | Sash (door window)                         | 1916    |                     | 6 00    |
| 429                            | 9739     | Sash (door window)                         | 1917    |                     | 6 00    |
| 430                            | 9838     | Sash (door window) R.                      | 1918-19 |                     | 7 50    |
| 430B                           | 8466     | Sash (door window) R.                      | 1920    |                     | 7 50    |
| 431                            | 9839     | Sash (door window) L.                      | 1918-19 |                     | 7 50    |
| 431B                           | 8467     | Sash (door window) L.                      | 1920    |                     | 7 50    |
| 432                            | 9731     | Sash (side window) R.                      | 1917    |                     | 6 00    |
| 433                            | 9732     | Sash (side window) L.                      | 1917    |                     | 6 00    |
| 434                            | 9914     | Sash (side window) R.                      | 1918-19 |                     | 7 50    |
| 435                            | 9915     | Sash (side window) L.                      | 1918-19 |                     | 7 50    |
| 435B                           | 9997     | Sash (side window)                         | 1920    |                     | 7 50    |
| 436                            | 1473     | Screw (dash lamp bracket)                  | 1915-19 |                     | 02      |
| 436B                           | 10665    | Sill assembly (side) R.                    | 1920    |                     | 13 50   |
| 436C                           | 10666    | Sill assembly (side) L.                    | 1920    |                     | 13 50   |
| 437                            | 9475     | Socket (door dove-tail)                    | 1915-19 |                     | 15      |
| 438                            | 8122B    | Spring (seat cushion) (Sn. 1920)           | 1915-20 |                     | 4 50    |
| 439                            | 9938     | Spring (back cushion)                      | 1915-20 |                     | 4 25    |
| 440                            | 9183     | Spring (door lock lever) Cp. Tn. Sn.       | 1915-20 |                     | 05      |
| 441                            | 9146     | Spring (top lock)                          | 1915-16 |                     | 05      |
| 442                            | 9059     | Strap (door check) Cp. Tn. Sn.             | 1915-20 |                     | 50      |
| 443                            | 9593     | Strap (rear prop.)                         | 1916    |                     | 75      |
| 444                            | 9163     | Strap (rear prop.) Buckle end Cp. Tn.      | 1915-16 |                     | 30      |
| 445                            | 9060     | Striker (door lock) Cp. Tn. Sn.            | 1915-20 |                     | 30      |
| 446                            | 9485     | Striker (deck door lock)                   | 1916-20 |                     | 10      |
| 447                            | 9488     | Support (deck door)                        | 1916-20 |                     | 25      |
| 448                            | 9625     | Top assem. (collapsible)                   | 1916    | 85 00               | 100 00  |
| 449                            | 8518     | Upholstering (cowl) R.                     | 1915-19 |                     | 1 25    |
| 450                            | 8519     | Upholstering (cowl) L.                     | 1915-19 |                     | 1 25    |
| 451                            | 8520     | Upholstering (cowl) Upper                  | 1915-19 |                     | 2 25    |
| 452                            | 9695     | Upholstering (door leather) R.             | 1915-17 |                     | 5 00    |
| 453                            | 9696     | Upholstering (door leather) L.             | 1915-17 |                     | 5 00    |
| 454                            | 9902     | Upholstering (door whipcord) R.            | 1918-20 |                     | 7 00    |

| Part No.                       | Fac. No.  | NAME   | YEAR    | Net Price to Dealer | PRICE   |
|--------------------------------|-----------|--|---------|---------------------|---------|
| <b>COUPELET BODY—Continued</b> |           |  |         |                     |         |
| 455                            | 9903      | Upholstering (door whipcord) L.                          | 1918-20 |                     | \$ 7 00 |
| 456                            | 9580      | Upholstering assem. (seat back leather)                  | 1916-17 |                     | 16 85   |
| 457                            | 9921      | Upholstering assem. (seat back whipcord)                 | 1918-19 |                     | 12 00   |
| 458                            | 9896      | Upholstering (seat side) R.                              | 1916-17 |                     | 2 50    |
| 458B                           | 9896B     | Upholstering (quarter panel) R.—Whipcord                 | 1919-20 |                     | 3 25    |
| 459                            | 9897      | Upholstering (seat side) L.                              | 1916-17 |                     | 2 50    |
| 459B                           | 9897B     | Upholstering (quarter panel) L.—Whipcord                 | 1919-20 |                     | 3 25    |
| 461                            | 9623      | Window (door)  | 1915-16 |                     | 14 00   |
| 462                            | 9738      | Window (door)  | 1917    |                     | 14 00   |
| 463                            | 9883      | Window (door) R.   | 1918-19 |                     | 16 00   |
| 463B                           | 8379      | Window (door) R.   | 1919-20 |                     | 17 00   |
| 464                            | 9884      | Window (door) L.   | 1918-19 |                     | 16 00   |
| 464B                           | 8402      | Window (door) L.   | 1919-20 |                     | 17 00   |
| 465                            | 9734      | Window (side) R.   | 1917    |                     | 10 00   |
| 466                            | 9735      | Window (side) L.   | 1917    |                     | 10 00   |
| 467                            | 9894      | Window (side) R.   | 1918-19 |                     | 12 50   |
| 468                            | 9895      | Window (side) L.   | 1918-19 |                     | 12 50   |
| <b>SEDAN BODY</b>              |           |  |         |                     |         |
| 472                            | 9679      | Back assem. (pass. seat) metal only                      | 1917-20 |                     | 3 75    |
| 473                            | 9668      | Back assem. (pass. seat) with uphol.                     | 1917-20 |                     | 17 00   |
| 474                            | 9618      | Back assem. (driver's seat) metal only (pass. 1916)      | 1916-20 |                     | 3 75    |
| 475                            | 9825      | Base (driver's seat)                                     | 1916-20 |                     | 5 50    |
| 476                            | 9681      | Back assem. (driver's seat) with uphol (pass. 1916)      | 1916-20 |                     | 17 00   |
| 477                            | 8162      | Board (1st floor)  | 1916-20 |                     | 75      |
| 478                            | 8163      | Board (2nd floor)  | 1916-20 |                     | 75      |
| 479                            | 8164      | Board (3rd floor) up                                     | 1916-20 |                     | 35      |
| 480                            | 8165      | Board (3rd floor) lower                                  | 1916-20 |                     | 60      |
| 481                            | 9495      | Board assem. (1st floor)                                 | 1916-20 |                     | 90      |
| 482                            | 9496      | Board assem. (2nd floor)                                 | 1916-20 |                     | 90      |
| 483                            | 8169      | Board assem. (3rd floor)                                 | 1916-20 |                     | 1 40    |
| 484                            | 7914      | Bolt (dash lamp bracket)                                 | 1915-19 |                     | 10      |
| 484B                           | 1941-1946 | Bolt and nut (steering column plate)                     | 1919-20 |                     | 02      |
| 484C                           | 5358-1068 | Bolt and nut (passenger seat front leg to floor) short   | 1916-20 |                     | 05      |
| 484D                           | 5359-1068 | Bolt and nut (passenger seat front leg to floor) long    | 1916-20 |                     | 95      |
| 485                            | 10085     | Bow (roof)   | 1915-20 |                     | 1 00    |
| 487                            | 9535      | Brace (hinge pillar)                                     | 1915-20 |                     | 75      |
| 489                            | 9502      | Brace (rear pillar) R.                                   | 1916-20 |                     | 75      |
| 490                            | 9503      | Brace (rear pillar) L.                                   | 1916-20 |                     | 75      |
| 491                            | 9845A     | Bracket (curtain roller plain) Ford design               | 1915-20 |                     | 30      |
| 491B                           | 9845B     | Bracket (curtain roller plain) Fisher design             | 1915-20 |                     | 30      |
| 491C                           | 9845C     | Bracket (curtain roller plain) Curtain Supply Co. design | 1915-20 |                     | 30      |

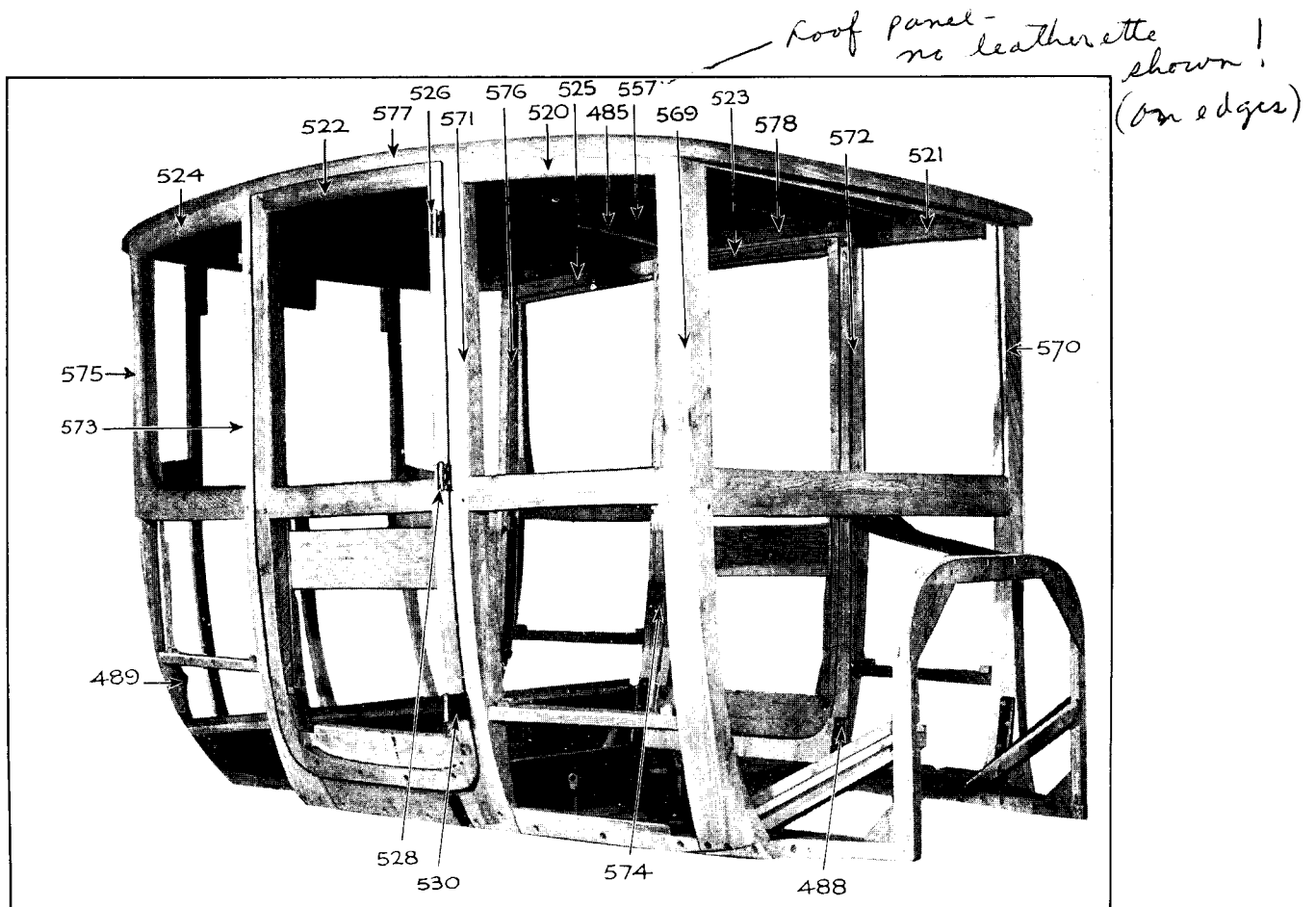
| Part No.                    | Fac. No. | NAME   | YEAR    | Net Price to Dealer | PRICE |
|-----------------------------|----------|--|---------|---------------------|-------|
| <b>SEDAN BODY—Continued</b> |          |  |         |                     |       |
| 491D 9845D                  |          | Bracket (curtain roller plain) Stewart Hartshorn design    | 1915-20 | \$ 0                | 30    |
| 492 9846A                   |          | Bracket (curtain roller notched) Ford design               | 1915-20 |                     | 30    |
| 492B 9846B                  |          | Bracket (curtain roller notched) Fisher design             | 1915-20 |                     | 30    |
| 492C 9846C                  |          | Bracket (curtain roller notched) Curtain Supply Co. design | 1915-20 |                     | 30    |
| 492D 9846D                  |          | Bracket (curtain roller notched) Stewart Harts-horn design | 1915-20 |                     | 30    |
| 493 7258                    |          | Bracket (dash lamp)  | 1915-19 |                     | 30    |
| 494 9211                    |          | Bumper (door sill plate) Tn. Sn.                           | 1915-20 |                     | 05    |
| 495 9617                    |          | Carpet (floor)   | 1916    | 13                  | 25    |
| 496 9669                    |          | Carpet (floor)   | 1917-20 | 16                  | 00    |
| 497 9296                    |          | Carpet (front panel) R.                                    | 1915-20 | 1                   | 75    |
| 498 9697                    |          | Carpet (front panel) L.                                    | 1915-20 | 1                   | 75    |
| 499 9506                    |          | Channel (back window glass)                                | 1915-20 |                     | 45    |
| 500 9673                    |          | Cloth (door and window curtain)                            | 1915-20 | 3                   | 25    |
| 501 9674                    |          | Cloth (back curtain)                                       | 1915-20 | 3                   | 25    |
| 502 9247                    |          | Cord (window curtain)                                      | 1915-20 |                     | 10yd  |
| 503 9283                    |          | Cowl   | 1915-20 | \$12 00             | 16 00 |
| 504 10300                   |          | Curtain—R. or L.   | 1915-20 |                     | 5 50  |
| 505 10366                   |          | Curtain—back   | 1915-20 |                     | 5 50  |
| 506 9509                    |          | Cushion (rear seat)  | 1916    | 16 00               | 20 00 |
| 507 9635                    |          | Cushion (rear seat)  | 1917    | 16 00               | 20 00 |
| 508 9682                    |          | Cushion (rear seat)  | 1918-19 | 12 00               | 16 00 |
| 509 9508                    |          | Cushion (pass. seat)                                       | 1916    | 11 50               | 15 00 |
| 510 9678                    |          | Cushion (pass. seat)                                       | 1917-20 |                     | 12 00 |
| 511 9507                    |          | Cushion (driver's seat)                                    | 1916    | 11 50               | 15 00 |
| 512 9680                    |          | Cushion (driver's seat)                                    | 1917-20 |                     | 12 00 |
| 512B 2069                   |          | Cushion (steering column)                                  | 1920    |                     | 05    |
| 513 9560                    |          | Door less window—R. Specify Fisher or Wadsworth            | 1915-20 | 35 00               | 45 00 |
| 514 9561                    |          | Door less window—L. Specify Fisher or Wads-worth           | 1915-20 | 35 00               | 45 00 |
| 514B 10074                  |          | Door (battery trap)  | 1919-20 |                     | 75    |
| 515 9519                    |          | Frame (back glass). Specify Fisher or Wadsworth            | 1915-19 |                     | 2 50  |
| 515B 10061                  |          | Frame (rear seat rear)                                     | 1915-20 |                     | 2 25  |
| 516 9214                    |          | Glass (door)   | 1915-20 |                     | 7 50  |
| 517 9513                    |          | Glass (front window)                                       | 1916-20 |                     | 5 50  |
| 518 9514                    |          | Glass (rear window)  | 1916-20 |                     | 7 50  |
| 519 9257                    |          | Glass (back)   | 1915-20 |                     | 5 50  |
| 519B 5361                   |          | Glass (back)   | 1918-20 |                     | 5 50  |
| 520 10062                   |          | Header (front window up.) R. Specify Wadsworth or Fisher   | 1915-20 |                     | 2 00  |
| 521 10063                   |          | Header (front window up.) L. Specify Wadsworth or Fisher   | 1915-20 |                     | 2 00  |

Fisher Board - See 355 on 1918 Coupelet.

| Part No.                    | Fac. No. | NAME  | YEAR    | Net Price to Dealer | PRICE   |
|-----------------------------|----------|---|---------|---------------------|---------|
| <b>SEDAN BODY—Continued</b> |          |   |         |                     |         |
| 522 10059                   |          | Header (door window up.) R. Specify Wadsworth or Fisher | 1915-20 |                     | \$ 2 00 |
| 523 10060                   |          | Header (door window up.) L. Specify Wadsworth or Fisher | 1915-20 |                     | 2 00    |
| 524 10056                   |          | Header (rear window up.) R. Specify Wadsworth or Fisher | 1915-20 |                     | 2 00    |
| 525 10057                   |          | Header (rear window up.) L. Specify Wadsworth or Fisher | 1915-20 |                     | 2 00    |
| 526 9202                    |          | Hinge (door up.) R                                      | 1915-20 |                     | 45      |
| 527 9203                    |          | Hinge (door up.) L.                                     | 1915-20 |                     | 45      |
| 528 9204                    |          | Hinge (door middle) R.                                  | 1915-20 |                     | 50      |
| 529 9205                    |          | Hinge (door middle) L.                                  | 1915-20 |                     | 50      |
| 530 9206                    |          | Hinge (door lower) R.                                   | 1915-20 |                     | 60      |
| 531 9207                    |          | Hinge (door lower) L.                                   | 1915-20 |                     | 60      |
| 532 9516                    |          | Leg assem. (pass. seat) R.                              | 1916    |                     | 1 50    |
| 533 9517                    |          | Leg assem. (pass. seat) L.                              | 1916    |                     | 1 50    |
| 534 9664                    |          | Leg assem. (pass. seat) R.                              | 1917-19 |                     | 1 50    |
| 535 9665                    |          | Leg assem. (pass. seat) L.                              | 1917-19 |                     | 1 50    |
| 538 9518                    |          | Leg (pass. seat front)                                  | 1916    |                     | 35      |
| 539 9780                    |          | Leg (pass. seat front)                                  | 1917-19 |                     | 70      |
| 540 9666                    |          | Leg (pass. seat rear)                                   | 1917-19 |                     | 90      |
| 541 9606                    |          | Lifter (rear window)                                    | 1915-20 |                     | 3 00    |
| 542 9607                    |          | Lifter (front window)                                   | 1915-20 |                     | 3 00    |
| 543 9608                    |          | Lifter (door window)                                    | 1915-20 |                     | 3 00    |
| 544 9555                    |          | Lining (gray)   | 1915-16 |                     | 5 75yd  |
| 545 9540                    |          | Lining (head)   | 1915-20 |                     | 14 00   |
| 546 9216                    |          | Moulding (door window)                                  | 1915-19 |                     | 1 25    |
| 547 9217                    |          | Moulding (front qr. window front)                       | 1915-19 |                     | 1 20    |
| 548 9218                    |          | Moukling (front qr. window rear)                        | 1915-19 |                     | 1 25    |
| 549 9219                    |          | Moulding (front qr. window upper)                       | 1915-19 |                     | 1 20    |
| 550 9220                    |          | Moulding (front qr. window lower)                       | 1915-19 |                     | 1 20    |
| 551 9221                    |          | Moulding (rear qr. window front)                        | 1915-19 |                     | 1 20    |
| 552 9222                    |          | Moulding (rear qr. window rear)                         | 1915-19 |                     | 1 20    |
| 553 10130                   |          | Moulding (rear qr. window upper)                        | 1915-19 |                     | 1 20    |
| 554 10132A                  |          | Moulding (rear qr. window lower)                        | 1915-19 |                     | 1 20    |
| 555 9297                    |          | Moulding (roof drip)                                    | 1915-20 |                     | 4 00    |
| 556 7923                    |          | Nut (dash lamp bracket bolt)                            | 1915-19 |                     | 05      |
| 557 9074                    |          | Panel (roof)  | 1915-20 |                     | 13 75   |
| 558 9567                    |          | Panel (door) R. Specify Fisher or Wadsworth             | 1915-20 |                     | 3 00    |
| 559 9568                    |          | Panel (door) L. Specify Fisher or Wadsworth             | 1915-20 |                     | 3 00    |
| 560 9569                    |          | Panel (front) R.  | 1915-20 |                     | 8 50    |
| 561 9565                    |          | Panel (front) L.  | 1915-20 |                     | 8 50    |
| 562 9570                    |          | Panel (rear upper). Specify Fisher or Wadsworth         | 1915-20 |                     | 12 75   |
| 563 9571                    |          | Panel (rear lower) Fisher                               | 1916-20 |                     | 8 50    |



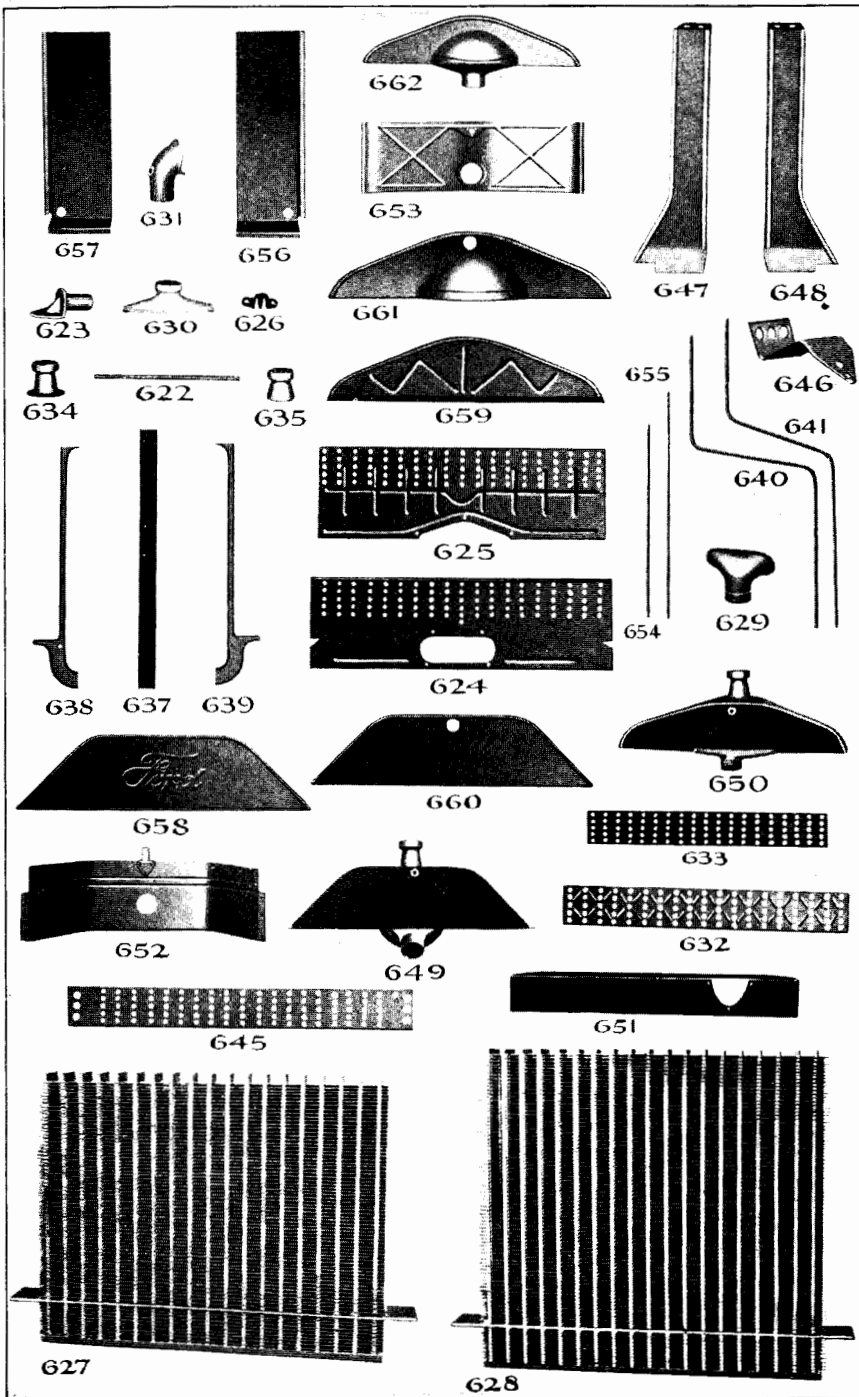
SEDAN BODY



SEDAN BODY PARTS

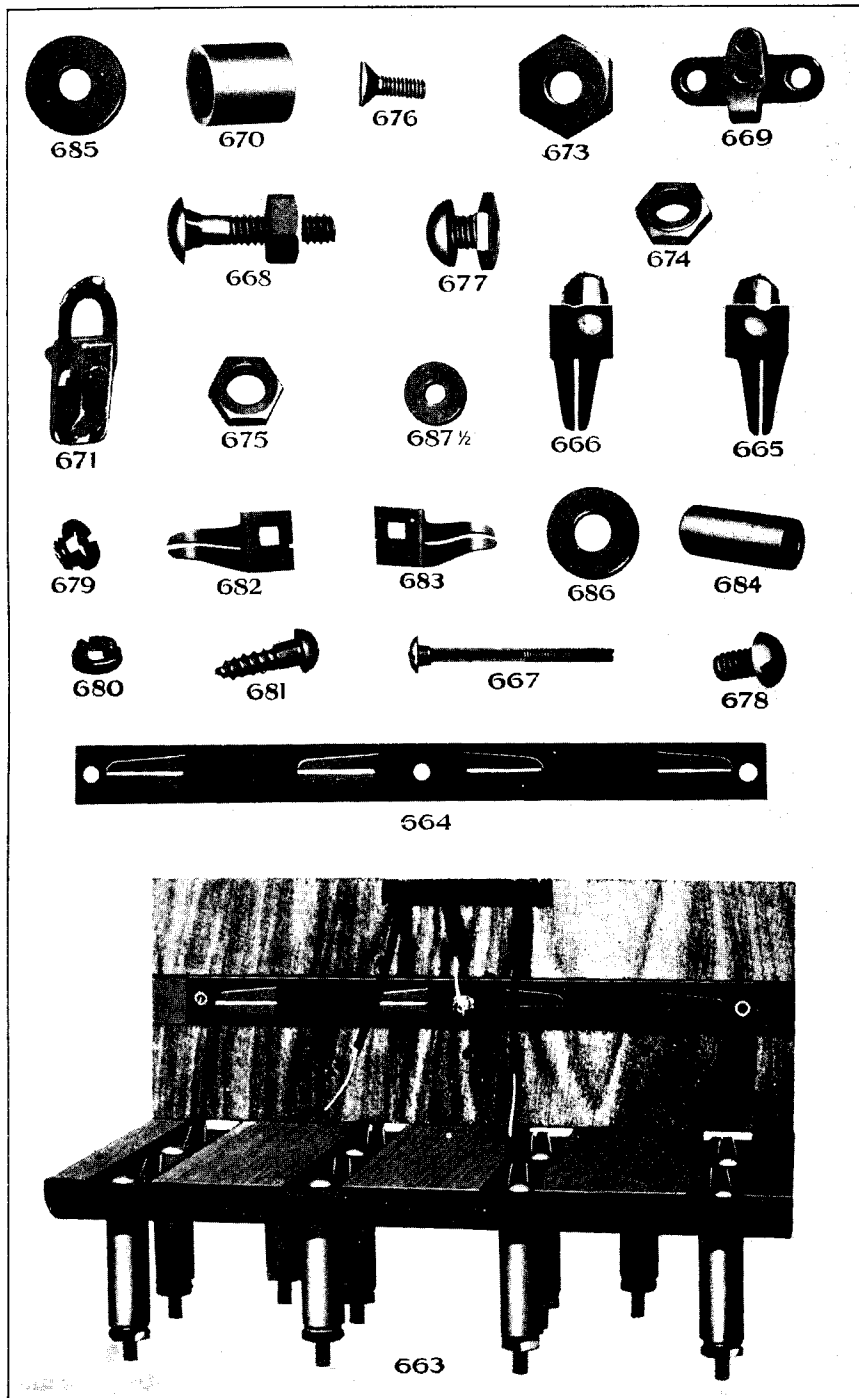
| Part No.                    | Fac. No. | NAME  | YEAR    | Net Price to Dealer | PRICE   |
|-----------------------------|----------|---|---------|---------------------|---------|
| <b>SEDAN BODY—Continued</b> |          |   |         |                     |         |
| 564                         | 8516     | Panel (rear lower with quarter panels). Specify Fisher or Wadsworth | 1916-20 | \$18 00             | \$25 00 |
| 565                         | 9876     | Panel (rear qr.) R. Specify Fisher or Wadsworth                     | 1916-20 |                     | 13 00   |
| 566                         | 9882     | Panel (rear qr.) L. Specify Fisher or Wadsworth                     | 1916-20 |                     | 13 00   |
| 567                         | 9208     | Plate (door sill) R.  | 1915-20 |                     | 1 50    |
| 568                         | 9209     | Plate (door sill) L.  | 1915-20 |                     | 1 50    |
| 568B                        | 7667     | Plate (steering column)   | 1919-20 |                     | 05      |
| 569                         | 9098     | Pillar (front) R. Specify Fisher or Wadsworth                       | 1915-19 |                     | 9 00    |
| 570                         | 9103     | Pillar (front) L. Specify Fisher or Wadsworth                       | 1915-19 |                     | 9 00    |
| 571                         | 9546     | Pillar (door hinge) R. Specify Fisher or Wadsworth                  | 1915-19 |                     | 6 00    |
| 572                         | 9547     | Pillar (door hinge) L. Specify Fisher or Wadsworth                  | 1915-19 |                     | 6 00    |
| 573                         | 9548     | Pillar (door lock) R. Specify Fisher or Wadsworth                   | 1915-19 |                     | 8 50    |
| 574                         | 9549     | Pillar (door lock) L. Specify Fisher or Wadsworth                   | 1915-19 |                     | 8 50    |
| 575                         | 9434     | Pillar (rear) R. Specify Fisher or Wadsworth                        | 1915-19 |                     | 6 00    |
| 576                         | 9435     | Pillar (rear) L. Specify Fisher or Wadsworth                        | 1915-19 |                     | 6 00    |
| 577                         | 10021    | Rail (roof) R. Specify Fisher or Wadsworth                          | 1915-19 |                     | 6 00    |
| 578                         | 10022    | Rail (roof) L. Specify Fisher or Wadsworth                          | 1915-19 |                     | 6 00    |
| 578B                        | 10024    | Rail (rear roof) Sedan  | 1915-20 |                     | 2 00    |
| 578C                        | 10026    | Rail (front roof) Sedan   | 1915-20 |                     | 2 00    |
| 579                         | 9271     | Retainer (pass. seat cushion)                                       | 1915-20 |                     | 50      |
| 580                         | 9264     | Retainer (rear seat cushion)  | 1915-20 |                     | 50      |
| 581                         | 9758-A1  | Roller assem. (side curtain) Ford design                            | 1915-20 |                     | 1 85    |
| 581B                        | 9758-A2  | Roller assem. (side curtain) Fisher design                          | 1915-20 |                     | 1 85    |
| 581C                        | 9758-A3  | Roller assem. (side curtain) Curtain Supply Co. design              | 1915-20 |                     | 1 85    |
| 581D                        | 9758B    | Roller assem. (side curtain) Stewart Hartshorn design               | 1915-20 |                     | 1 85    |
| 582                         | 9759-A1  | Roller assem. (back curtain) Ford design                            | 1915-20 |                     | 1 85    |
| 582B                        | 9759-A2  | Roller assem. (back curtain) Fisher design                          | 1915-20 |                     | 1 85    |
| 582C                        | 9759-A3  | Roller assem. (back curtain) Curtain Supply Co. design              | 1915-20 |                     | 1 85    |
| 582D                        | 9759B    | Roller assem. (back curtain) Stewart Hartshorn design               | 1915-20 |                     | 1 85    |
| 583                         | 9627     | Roof assem. Specify Fisher or Wadsworth                             | 1915-20 | 28 00               | 36 00   |
| 584                         | 9686     | Sash (door window) R.   | 1915-20 |                     | 6 00    |
| 585                         | 9690     | Sash (door window) L.   | 1915-20 |                     | 6 00    |
| 586                         | 9598     | Sash (front window) R.  | 1915-20 |                     | 6 00    |
| 587                         | 9599     | Sash (front window) L.  | 1915-20 |                     | 6 00    |
| 588                         | 9604     | Sash (rear window) R.   | 1915-20 |                     | 6 00    |
| 589                         | 9605     | Sash (rear window) L.   | 1915-20 |                     | 6 00    |
| 590                         | 9629     | Seat assem. (pass.)   | 1915-20 | 20 00               | 25 00   |
| 591                         | 9639     | Seat assem. (driver's)  | 1916-20 | 27 00               | 35 00   |
| 592                         | 9856     | Spring (curtain roller)   | 1915-20 |                     | 50      |
| 594                         | 9692     | Spring (rear seat cushion)  | 1915-19 |                     | 6 00    |

| Part No.                    | Fac. No. | NAME   | YEAR    | Net Price to Dealer | PRICE   |
|-----------------------------|----------|--|---------|---------------------|---------|
| <b>SEDAN BODY—Continued</b> |          |  |         |                     |         |
| 595                         | 9688     | Spring (driver's seat cushion)                 | 1916-19 |                     | \$ 1 80 |
| 596                         | 9689     | Spring (pass. seat cushion)                    | 1917-19 |                     | 1 80    |
| 597                         | 9520     | Support (driver's and pass. seat back) R.      | 1916-20 |                     | 60      |
| 598                         | 9521     | Support (driver's and pass. seat back) L.      | 1916-20 |                     | 60      |
| 599                         | 7913     | Screw (dash lamp bracket)                      | 1915-19 |                     | 02      |
| 600                         | 9246     | Tack (curtain cord)                            | 1915-20 |                     | 05dz    |
| 601                         | 9250     | Tack (upholstering) loop or clinch             | 1915-20 |                     | 03      |
| 602                         | 9698     | Upholstering (front qr. panel) R. Specify year | 1915-20 |                     | 3 00    |
| 603                         | 9699     | Upholstering (front qr. panel) L. Specify year | 1915-20 |                     | 3 00    |
| 604                         | 9609     | Upholstering (rear seat back)                  | 1916    |                     | 13 00   |
| 605                         | 9634     | Upholstering (rear seat back)                  | 1917    | \$16 50             | 22 50   |
| 606                         | 9683     | Upholstering (rear seat back)                  | 1918-19 |                     | 16 00   |
| 607                         | 9681     | Upholstering (driver's seat back)              | 1917-20 |                     | 9 00    |
| 608                         | 9679     | Upholstering (pass. seat back)                 | 1917-20 |                     | 9 00    |
| 609                         | 9612     | Upholstering (door) R.                         | 1916    |                     | 5 25    |
| 610                         | 9613     | Upholstering (door) L.                         | 1916    |                     | 5 25    |
| 611                         | 9684     | Upholstering (door) R.                         | 1917-20 |                     | 5 25    |
| 612                         | 9685     | Upholstering (door) L.                         | 1917-20 |                     | 5 25    |
| 613                         | 9750     | Upholstering (cowl) R.                         | 1915-20 |                     | 1 25    |
| 614                         | 9751     | Upholstering (cowl) L.                         | 1915-20 |                     | 1 25    |
| 615                         | 9752     | Upholstering (cowl) upper                      | 1915-20 |                     | 2 25    |
| 616                         | 9661     | Window (door) R.                               | 1915-20 |                     | 12 50   |
| 617                         | 9662     | Window (door) L.                               | 1915-20 |                     | 12 50   |
| 618                         | 9596     | Window (front qr.) R.                          | 1915-20 |                     | 11 50   |
| 619                         | 9597     | Window (front qr.) L.                          | 1915-20 |                     | 11 50   |
| 620                         | 9602     | Window (rear qr.) R.                           | 1915-20 |                     | 12 50   |
| 621                         | 9603     | Window (rear qr.) L.                           | 1915-20 |                     | 12 50   |
| <b>RADIATOR</b>             |          |  |         |                     |         |
| 622                         | 1155     | Brace (side)                                   | 1909-16 |                     | 05      |
| 623                         | 1125     | Bracket (rod on rad.)                          | 1909-20 |                     | 10      |
| 624                         | 1135     | Bottom (up. tank)                              | 1909-16 |                     | 1 50    |
| 625                         | 8706     | Bottom (up. tank)                              | 1917-20 |                     | 1 25    |
| 626                         | 1109     | Clasp (hood on rad.)                           | 1909-20 |                     | 02      |
| 627                         | 1133     | Core   | 1909-16 |                     | 16 50   |
| 628                         | 8770     | Core   | 1917-19 |                     | 16 50   |
| 629                         | 1101     | Con. (inlet)                                   | 1909-16 |                     | 30      |
| 630                         | 8712     | Con. (inlet)                                   | 1917-20 |                     | 25      |
| 631                         | 1104     | Con. (outlet)                                  | 1909-20 |                     | 30      |
| 632                         | 1134     | Cover (lower tank)                             | 1909-20 |                     | 30      |
| 633                         | 1143     | Fin  | 1909-20 |                     | 10      |
| 634                         | 1102     | Flange (filler)                                | 1909-16 |                     | 50      |
| 635                         | 8713     | Flange (filler)                                | 1917-20 |                     | 50      |
| 637                         | 1138     | Piece (front bottom)                           | 1909-16 |                     | 25      |
| 638                         | 1145     | Piece (front side) R.                          | 1909-16 |                     | 30      |
| 639                         | 1146     | Piece (front side) L.                          | 1909-16 |                     | 30      |



RADIATOR PARTS

| Part No.                   | Fac. No.   | NAME                              | YEAR    | Net Price to Dealer | PRICE  |
|----------------------------|------------|-----------------------------------|---------|---------------------|--------|
| <b>RADIATOR —Continued</b> |            |                                   |         |                     |        |
| 640                        | 1132       | Pipe (overflow)                   | 1909-16 |                     | \$0 30 |
| 641                        | 8718       | Pipe (overflow)                   | 1917-20 |                     | 25     |
| 642                        | 8709       | Plate (splash)                    | 1917-20 |                     | 15     |
| 645                        | 1126       | Support                           | 1909-19 |                     | 45     |
| 646                        | 1190       | Support (lower tank)              | 1909-19 |                     | 05     |
| 647                        | 8750       | Support (up. tank) R.             | 1917-20 |                     | 15     |
| 648                        | 8751       | Support (up. tank) L.             | 1917-20 |                     | 15     |
| 649                        | 1113       | Tank complete (top)               | 1909-16 |                     | 5 00   |
| 650                        | 8723       | Tank complete (top)               | 1917-20 |                     | 4 00   |
| 651                        | 1137       | Tank (lower)                      | 1909-20 |                     | 1 00   |
| 652                        | 1136       | Top (up. tank) less filler flange | 1909-16 |                     | 1 50   |
| 653                        | 8705       | Top (up. tank) less filler flange | 1917-20 |                     | 60     |
| 654                        | 1144       | Tube                              | 1909-16 |                     | 06     |
| 655                        | 8717       | Tube                              | 1917-20 |                     | 08     |
| 656                        | 1139       | Wall—L.                           | 1909-16 |                     | 60     |
| 657                        | 1140       | Wall—R.                           | 1909-16 |                     | 60     |
| 658                        | 1141       | Wall (up. tank front)             | 1909-16 |                     | 80     |
| 659                        | 8707       | Wall (up. tank front)             | 1917-20 |                     | 60     |
| 660                        | 1142       | Wall (up. tank rear)              | 1909-16 |                     | 75     |
| 661                        | 8708       | Wall (up. tank rear)              | 1917-20 |                     | 40     |
| 662                        | 8872       | Wall assem. (rear)                | 1917-20 |                     | 90     |
| <b>COIL PARTS</b>          |            |                                   |         |                     |        |
| 663                        | 5860       | Back and false bottom             | 1914-19 |                     | 1 00   |
| 664                        | 5836       | Bar (box bus)                     | 1914-20 |                     | 05     |
| 665                        | 5807       | Bolt and spring (term.) R.        | 1914-20 |                     | 10     |
| 666                        | 5808       | Bolt and spring (term.) L.        | 1914-20 |                     | 10     |
| 667                        | 5809       | Bolt (term.)                      | 1914-20 |                     | 02     |
| 668                        | 1308-2582  | Bolt and nut (box to dash)        | 1914-20 |                     | 35     |
| 669                        | 6736       | Bridge and screw (lower)          | 1914-20 |                     | 10     |
| 670                        | 6768       | Collar (vib. bolt)                | 1914-20 |                     | 02     |
| 671                        | 5852       | Lock (box)                        | 1914-20 |                     | 10     |
| 672                        | 5834       | (Order No. 5832)                  |         |                     |        |
| 673                        | 472B       | Nut (term. bolt)                  | 1914-20 |                     | 02     |
| 674                        | 6754       | Nut (vib. adj. bolt)              | 1914-20 |                     | 02     |
| 675                        | 6772       | Nut (vib. bolt)                   | 1914-20 |                     | 02     |
| 676                        | 5827A      | Screw (switch fastening)          | 1914-17 |                     | 01     |
| 677                        | 5827B-5832 | Screw and nut (switch fastening)  | 1918-19 |                     | 02     |
| 678                        | 5819       | Screw (switch cover)              | 1914-19 |                     | 02     |
| 679                        | 6785       | Screw (armature to lower bridge)  | 1914-20 |                     | 01     |
| 680                        | 6782       | Screw (lower bridge adj.)         | 1914-20 |                     | 01     |
| 681                        | 6771       | Screw (box back and bottom)       | 1914-20 |                     | 02     |
| 682                        | 5811       | Spring (term. bolt)               | 1914-20 |                     | 03     |
| 683                        | 5812       | Spring (term. bolt)               | 1914-20 |                     | 03     |
| 684                        | 5810       | Tube (term. bolt porcelain)       | 1914-20 |                     | 10     |
| 685                        | 1034       | Washer (box to dash bolt)         | 1914-20 |                     | 01     |

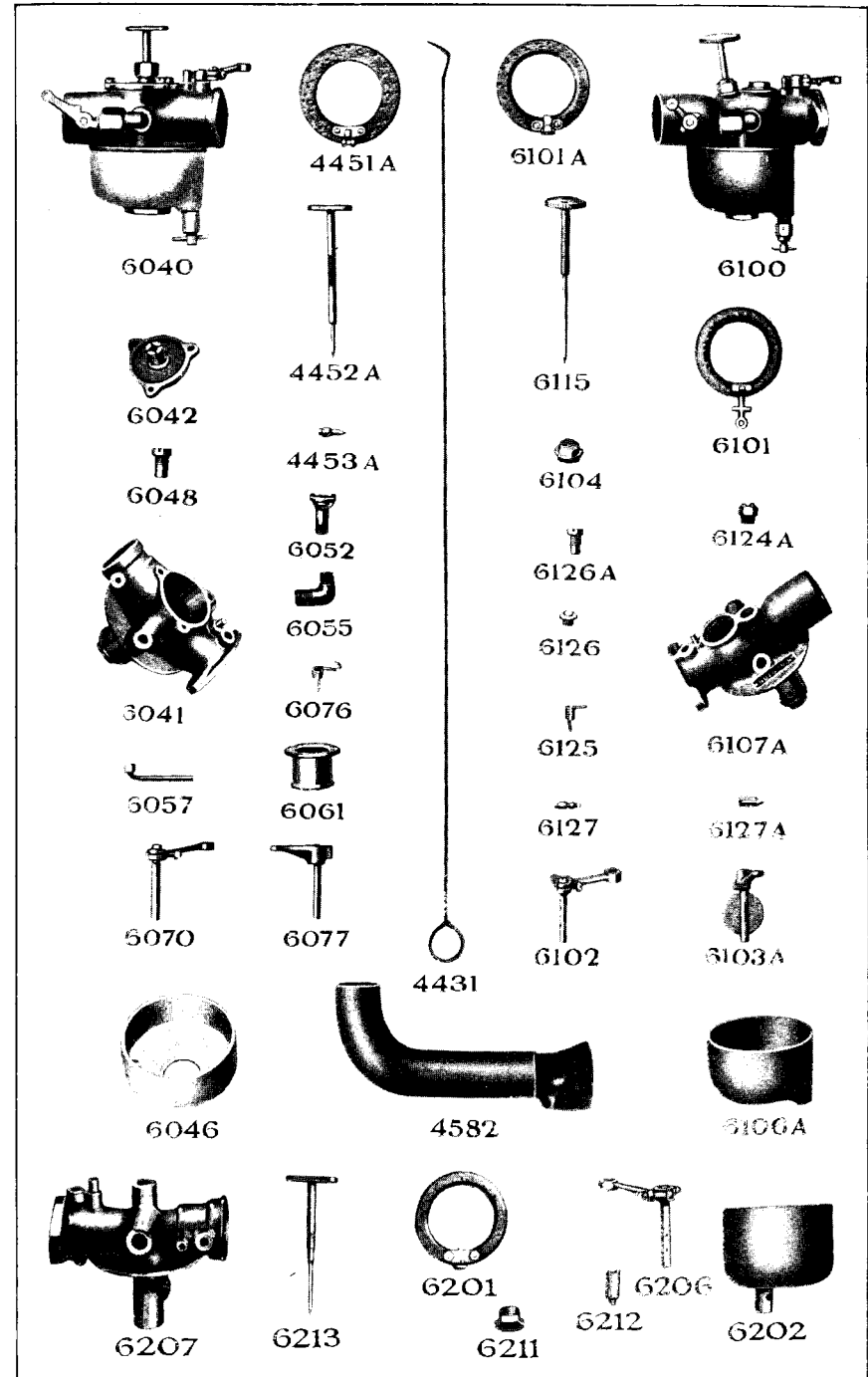


COIL PARTS

| Part No.   | Fac. No. | NAME                                    | YEAR       | Net Price to Dealer | PRICE |
|--|----------|---|------------|---------------------|-------|
| <b>COIL PARTS—Continued</b>                      |          |   |            |                     |       |
| 686  | 5831     | Washer (term. bolt)                     | 1914-20    | \$ 0 01             |       |
| 687  | 6749     | Washer (vib. bolt insulator)            | 1914-20    |                     | 05 dz |
| 687B   | 6757B    | Washer (vib. adj. bolt upper)           | 1914-20    |                     | 05 dz |
| <b>TOPS</b>                                      |          |   |            |                     |       |
| 688  | 7940     | Touring car top assem.                  |            | \$32 00             | 40 00 |
| 689  | 7941     | Runabout top assem.                     |            | 25 00               | 33 00 |
| <b>FORD CARBURETOR PARTS—1912-20 (MODEL "G")</b> |          |   |            |                     |       |
| 6041   | 6340     | Mix. chamber                            | 1914-20    |                     | 3 25  |
| 6042   | 4801     | Mix. chamber top                        | 1912-14-20 |                     | 70    |
| 6043   | 4808     | Mix. chamber top screw                  | 1912-20    |                     | 02    |
| 6044   | 6317     | Mix. chamber top gasket                 | 1914-20    |                     | 02    |
| 6044B  | 6367     | Mix. chamber bottom gasket              | 1916-20    |                     | 03    |
| 6045   | 4810     | Mix. chamber nut                        | 1912-20    |                     | 10    |
| 6046A  | 6318     | Float chamber and bush. assem.          | 1914-20    |                     | 75    |
| 6046B  | 6365     | Float chamber and drain valve assem.    | 1917-20    |                     | 50    |
| 6047   | 6320     | Float lever pin                         | 1914-20    |                     | 03    |
| 6048   | 6321     | Float valve seat                        | 1914-20    |                     | 10    |
| 6049   | 6322     | Float valve seat gasket (fibre)         | 1914-19    |                     | 01    |
| 6051   | 4812     | Spray needle clamp nut                  | 1912-20    |                     | 05    |
| 6052   | 6341     | Spray nozzle                            | 1914-20    |                     | 30    |
| 6053   | 4820     | Spray nozzle gasket (fibre)             | 1912-14-20 |                     | 02    |
| 6055   | 4859     | Gas. inlet elbow                        | 1913-20    |                     | 15    |
| 6057   | 6360     | Low speed tube with nut                 | 1915-20    |                     | 15    |
| 6058   | 4814     | Low speed tube retaining screw          | 1912-14-20 |                     | 05    |
| 6060   | 4816     | Low speed boss screw                    | 1912-14-20 |                     | 05    |
| 6061   | 4817     | Strangling tube                         | 1912-14-20 |                     | 15    |
| 6062   | 4818     | Strangling tube retainer—open wire ring | 1912-14-20 |                     | 02    |
| 6064   | 4520     | Throttle lever stop screw               | 1911-20    |                     | 02    |
| 6065   | 4521     | Throttle lever clamp screw              | 1911-19    |                     | 02    |
| 6068   | 4517     | Throttle plate                          | 1912-14-20 |                     | 05    |
| 6070   | 4836     | Throttle lever                          | 1912-14-20 |                     | 30    |
| 6071   | 4528     | Throttle lever adj. lock nut            | 1911-20    |                     | 02    |
| 6074   | 6337     | Aux. throttle plate                     | 1915-20    |                     | 05    |
| 6076   | 6342     | Aux. throttle lever spring              | 1914-20    |                     | 02    |
| 4494   | 3128     | Aux. throttle lever spring              | 1910-14    |                     | 05    |
| 6077   | 6327     | Aux. throttle lever assem               | 1914-20    |                     | 25    |
| 4463   | 4805     | Float lever holding screw nut           | 1912-19    |                     | 02    |
| 4464   | 4853     | Float lever holding screw               | 1913-19    |                     | 03    |
| 6081A  | 6329     | Drain valve plug and handle             | 1916-20    |                     | 15    |
| <b>HOLLEY CARBURETOR PARTS—(MODEL "NH")</b>      |          |   |            |                     |       |
| 6202   | 6318B    | Float chamber and Bushing               | 1920       |                     | 1 00  |
| 6203   | 555B     | Gasket (float chamber)                  | 1920       |                     | 10    |
| 6204   | 4820B    | Gasket (spray nozzle)                   | 1920       |                     | 02    |
| 6205   | 6367B    | Gasket (mixer chamber)                  | 1920       |                     | 03    |



| Part No.  | Fao. No. | NAME                                      | YEAR    | Net Price to Dealer | PRICE |
|---|----------|---|---------|---------------------|-------|
| <b>HOLLEY CARBURETOR PARTS—(MODEL "NH")—Continued</b> |          |   |         |                     |       |
| 6206  | 4836B    | Lever (throttle)                          | 1920    | \$1 00              |       |
| 6207  | 6340B    | Mixer chamber                             | 1920    | 3 25                |       |
| 6208  | 4812B    | Nut (adjusting needle clamp)              | 1920    | 25                  |       |
| 6209  | 4517B    | Plate (throttle)                          | 1920    | 05                  |       |
| 6210  | 6320B    | Pin (float lever)                         | 1920    | 05                  |       |
| 6211  | 6284     | Screw (float chamber)                     | 1920    | 35                  |       |
| 6212  | 6321B    | Seat (float valve)                        | 1920    | 20                  |       |
| 6214  | 6341B    | Spray nozzle (first 10,000)               | 1920    | 75                  |       |
| 6214B   | 6341C    | Spray nozzle (after first 10,000)         | 1920    | 75                  |       |
| 6215  | 6273     | Vent plug (air passage)                   | 1920    | 15                  |       |
| <b>KINGSTON CARBURETOR PARTS—1913-20</b>              |          |   |         |                     |       |
| 6102  | 4873     | Throttle lever                            | 1913-20 | 40                  |       |
| 6103A   | 6382     | Constant air supply lever and gate assem. | 1913-20 | 60                  |       |
| 6104  | 3005     | Gas. valve cap                            | 1910-16 | 15                  |       |
| 6105A   | 6357     | Air valve cap                             | 1915-16 | 60                  |       |
| 6105B   | 8817     | Air valve cap                             | 1917-20 | 40                  |       |
| 6106  | 6350     | Float chamber                             | 1915-16 | 2 25                |       |
| 6106A   | 6370     | Float chamber                             | 1917-20 | 1 00                |       |
| 6107  | 6352     | Mix. chamber                              | 1915-16 | 3 25                |       |
| 6107A   | 6371     | Mix. chamber                              | 1917-20 | 3 25                |       |
| 6108  | 4872     | Mix. chamber gasket                       | 1913-16 | 15                  |       |
| 6108A   | 6374     | Mix. chamber gasket                       | 1917-20 | 15                  |       |
| 6109  | 3012     | Throttle gate                             | 1910-20 | 05                  |       |
| 6110  | 4571B    | Constant air supply gate                  | 1913-14 | 10                  |       |
| 6110A   | 6363     | Constant air supply gate                  | 1915-20 | 15                  |       |
| 6111  | 4883     | Mix. chamber nut                          | 1913-20 | 15                  |       |
| 6114  | 3027     | Gas valve retainer nut                    | 1910-16 | 10                  |       |
| 6116  | 4831     | Pet cock                                  | 1915-20 | 25                  |       |
| 6117  | 6354     | Primer                                    | 1915-16 | 30                  |       |
| 6118  | 3014     | Float to lever and throttle gate screw    | 1910-16 | 01                  |       |
| 6118A   | 6379     | Float to lever screw                      | 1917-20 | 03                  |       |
| 6120  | 4875     | Throttle lever adjusting screw            | 1913-20 | 03                  |       |
| 6121  | 3017     | Throttle lever clamp screw                | 1910-20 | 03                  |       |
| 6122  | 3004B    | Gas. valve operating lever shaft          | 1913-16 | 15                  |       |
| 6123  | 6381     | Air valve shaft                           | 1915-20 | 25                  |       |
| 6124A   | 6368     | Spray needle sleeve                       | 1915-20 | 25                  |       |
| 6125  | 4570B    | Constant air supply spring                | 1913-20 | 03                  |       |
| 6126  | 6359     | Float valve seat                          | 1915-16 | 15                  |       |
| 6126A   | 6380     | Float valve seat                          | 1917-20 | 15                  |       |
| 6127  | 3002     | Gas. valve                                | 1910-16 | 35                  |       |
| 6128  | 6355     | Air valve                                 | 1915-20 | 40                  |       |
| 6129  | 6361     | Float valve seat gasket (fibre)           | 1915-16 | 03                  |       |
| 6129A   | 6373     | Float valve seat gasket (fibre)           | 1917-20 | 03                  |       |



| Part No. | Fac. No. | NAME | Net Price to Dealer |
|----------|----------|------|---------------------|
|----------|----------|------|---------------------|

**SPARK PLUGS**

**Champion X**

|                          |  |         |
|--------------------------|--|---------|
| Lots less than 100, each |  | \$ 0 58 |
| " of 100 "               |  | 53      |
| " " 500 "                |  | 51      |
| " " 1,000 "              |  | 49      |

**\*Porcelain**

|                          |  |     |
|--------------------------|--|-----|
| Lots less than 100, each |  | 32½ |
| " of 100 "               |  | 29½ |
| " " 500 "                |  | 26½ |
| " " 1,000 "              |  | 24½ |

\*Porcelains ordered with spark plugs will take the same quantity price even though a smaller quantity is ordered.

Net Price to Dealer

**HEADLAMP BULBS**

|        |   |         |
|--------|---|---------|
| 6572X  | Headlamp Mazda bulb (8-9 volt used with magneto) in lots of 50                    | \$14 70 |
| 6572BX | Headlamp Mazda bulb in lots of 50   | 14 70   |
| 6572CX | Headlamp Mazda bulb (6-8 volt single contact) in lots of 50                       | 14 70   |
| 6520X  | Dimmer bulb (for head and tail lamp) 6-8 volt 2-ep. single contact, in lots of 50 | 8 23    |

*Ford Price List of Miscellaneous Parts, September 1, 1920,*  
32 pages, 11 illustrations.

This Price List is of value largely for the listing of body parts interchangeable for the various model years from 1914 to 1920. Body construction of the touring car, runabout, coupelet and center door sedan are well illustrated with the wooden framework carefully detailed for the sedan and coupelet. In addition coil and carburetor parts are also listed for the years from 1914 to 1920.

T-8—Price \$1.00