

Ford

THE UNIVERSAL CAR

**Price List of Parts
and Accessories**

MODEL T

Effective February 1, 1922

Ford Motor Company

DETROIT, MICHIGAN

February 1st, 1922

Prices subject to change without notice

Of the net amount at which these parts are billed to purchasers who purchase direct from the Ford Motor Company (except parts which show no Tax Status, if any) 20/21 represents the price of the goods and 1/21 represents excise tax.

Ford Motor Company

FORD FACTORIES AND BRANCHES

Ford Factory, Detroit—*Parent Plant*
Ford Factory, Ford, Ontario, Canada
Ford Factory, Manchester, England

AMERICAN WHOLESALE BRANCHES

Atlanta	Cleveland	Fargo	Los Angeles	Oklahoma City	Salt Lake City
Buffalo	Columbus	Houston	Louisville	Omaha	San Francisco
Cambridge	Dallas	Indianapolis	Memphis	Philadelphia	Scranton
Charlotte	Denver	Jacksonville	Milwaukee	Pittsburgh	Seattle
Chicago	Des Moines	Kansas City, Mo.	Minneapolis	Portland	Washington
Cincinnati	Detroit	Kearney, N. J.	New Orleans	St. Louis	

FOREIGN BRANCHES AND SERVICE STATIONS

Bordeaux, France	Copenhagen, Denmark	Montevideo, Uruguay	St. John, N. B.
Buenos Aires, Argentina	London, Eng.	Montreal, Que.	Toronto, Ont.
Cadiz, Spain	London, Ontario	Regina, Sask.	Vancouver, B. C.
Calgary, Alta.	Manchester, Eng.	San Paulo, Brazil	Winnipeg, Manitoba

Foreign Department—1719 Broadway, New York
There are Ford Agents in all Principal Cities

IMPORTANT

INSIST on getting GENUINE Ford Parts when your Ford car needs repairing. Don't allow "bogus" or imitation Parts to go in your car.

Instructions for Ordering Parts

- 1—Order all parts through the nearest Branch or Dealer.
- 2—Always give **Catalog Number and Name** of each part ordered.
- 3—Mail and Parcel Post orders must be accompanied by an amount sufficient to cover **Postage**.
- 4—All prices are net f. o. b. Branch, Factory or Dealer.
- 5—Specify how shipments are to be made.
- 6—Orders for parts should be written separately from correspondence pertaining to other matters.

Telegraph Code

To save expense, to expedite ordering and for your convenience, we have arranged a code word for each part of the Ford Model T car. In addition, we list below a brief General Code covering miscellaneous instructions, questions and answers relative to the shipment of parts.

Toperig—Ship to me (us) by express.

Toperkleur—Ship by express to ———

Topersteen—Ship to me (us) by freight.

Toper—Ship to me (us) by parcel post.

Topfton—When and how did you ship parts called for in my (our) telegram of ———

Topflutch—When and how will you ship parts called for in my (our) telegram of ———

Topfwasser—When and how will you ship parts called for in my (our) letter of ———

PRICE LIST OF PARTS

FORD MODEL T 1909-1922

EFFECTIVE FEBRUARY 1st, 1922

Parts Price List Index

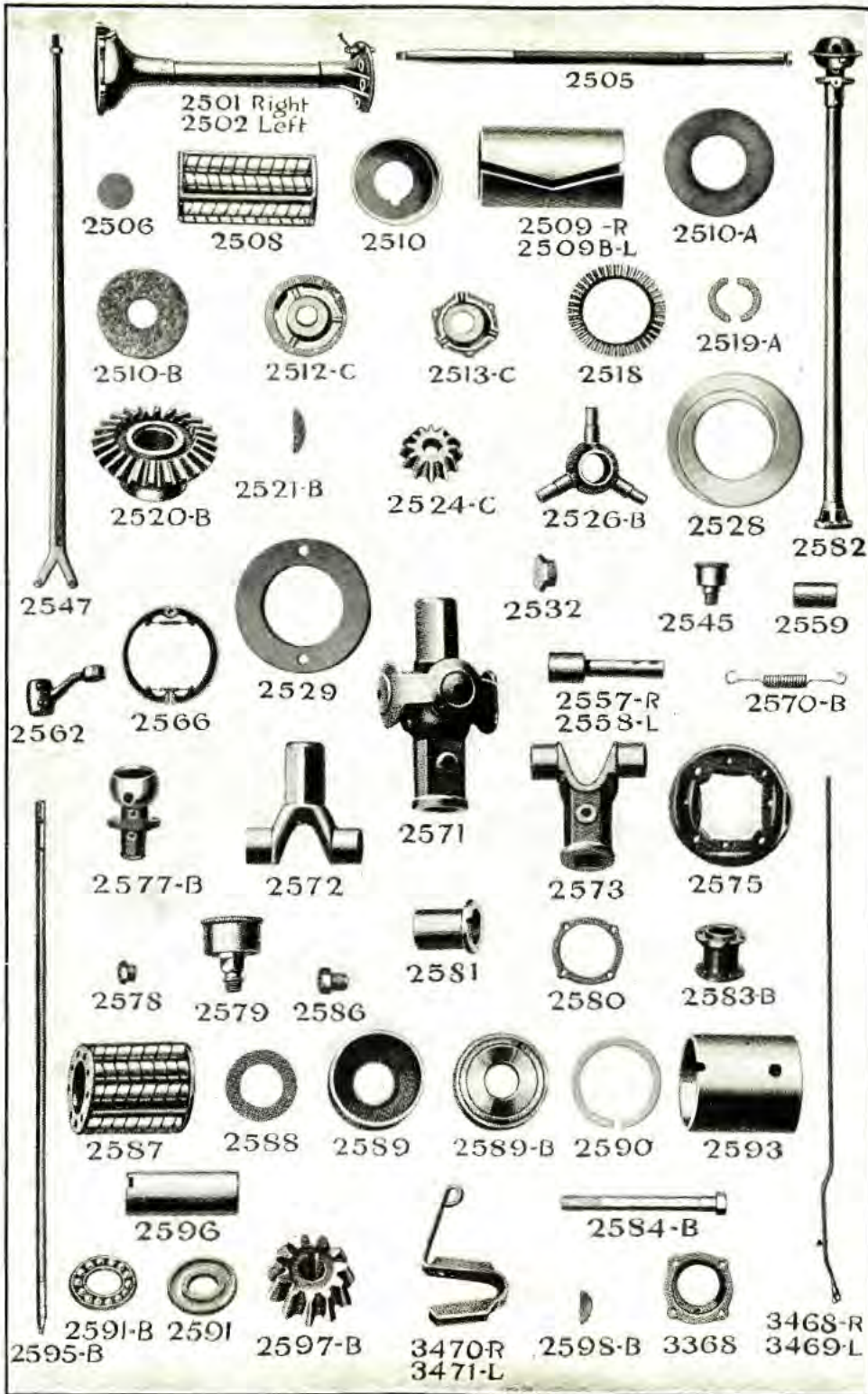
	Page
Ammeter	30
Axle—Front	7
Axle—Rear	5
Battery Bracket and Parts	31
Bendix Drive	30
Body Parts	21
Carburetor	26
Carburetor Attachments	26
Coil and Parts—Spark	30
Commutator	16
Cotter Pins	32
Cut-outs	30
Fan	24
Fenders	27
Frame	9
Gasoline Tank	9
Generator and Parts	31
Hood	26
Horn	33
Lamps	33
Magneto	16
Motor	12
Muffler	24
Radiator—Thermo Syphon	24
Running Board and Shields	27
Spark Plugs	31
Springs	23
Starter Parts	30
Starting Crank	24
Steering Gear	19
Switch	30
Tools	32
Tops	35
Transmission	16
Transmission Control	17
Transmission Cover	17
Truck Parts	37
Wheels	7
Windshields	33
Wiring	30

Part No.	Name of Part	Year	Specifications	Price	Tax Status	Code Word No.	Fac. No.	Req. per Car
REAR AXLE								
2500	Rear axle assembly	1909-22	50-inch tread	\$70 00	MH	Aband	95E	1
2501	Axle housing—right	1915-22		9 00	MH	Absolve	7635C	1
2502	Axle housing—left	1915-22		9 00	MH	Absume	7636C	1
2503E	Axle housing bolt	1913-22	$\frac{1}{2}$ " x $1\frac{1}{8}$ "	03		Ajoy	2854	7
2503F	Axle housing bolt nut	1909-22	Used on 2503E	02		Doric	44	7
2504	Rear axle case gasket	1919-22		03		Abraum	139	1
2505	Axle shaft—tapered	1912-22	$1\frac{1}{8}$ " x 31"	1 60	MH	Abode	2818	2
2506	Axle shaft washer	1909-22	$1\frac{1}{8}$ " dia. fibre	03		Abound	39	1
2508	Axle shaft roller bearing	1909-22	$2\frac{1}{8}$ " x 4"	1 25		Abrase	253	4
2509	Axle shaft roller bearing sleeve—right	1909-22	4" long	20		Abray	170	2
2509B	Axle shaft roller bearing sleeve—left	1909-22		20		Abate	161	2
2510	Axle housing cap	1909-19	$2\frac{1}{4}$ " dia.	05		Abroad	56	2
2510A	Axle housing cap	1919-22		05		Abridge	56B	2
2510A	Axle outer roller bearing steel washer	1909-22	$2\frac{1}{4}$ " dia.	03		Absinthe	199B	2
2510B	Axle outer roller bearing felt washer	1909-22	$2\frac{1}{8}$ " dia.	05		Absist	54	2
2512C	Diff. case—left (no bushing used)	1914-22		1 50	MH	Abut	84	1
2513C	Diff. case—right (no bushing used)	1914-22		90	MH	Ache	81	1
2514	Diff. case stud	1909-15	$\frac{3}{8}$ " x $2\frac{3}{4}$ "	05		Arcadian	52	3
2514B	Diff. case stud	1915-22	$\frac{3}{8}$ " x $2\frac{3}{4}$ "	03		Ale	2865	3
2515	Diff. case stud nut	1909-22	Used on 2514-2514B	03		Egret	8	3
2518	Diff. drive gear	1909-22	40 teeth	3 00	MH	Accost	12B	1
2519	Diff. drive gear screw	1909-22	$\frac{1}{2}$ " x $\frac{3}{8}$ "	03		Accoy	103	10
2519A	Diff. gear lock ring	1909-22		03		Acetic	118	2
2520B	Diff. gear	1909-22	24 teeth	1 25	MH	Ace	13B	2
2521B	Diff. gear key	1911-22	$1\frac{3}{8}$ " long	05		Acrif	137	2
2524C	Diff. pinion	1915-22	12 teeth	35	MH	Admire	14D	3
2526B	Diff. spider	1909-22		80	MH	Adduce	15D	1
2528	Diff. thrust washer	1909-22	$\frac{3}{8}$ " dia. metal	15		Adieu	30	2
2529	Diff. thrust plate	1909-22	$\frac{3}{8}$ " dia. steel	15	MH	Adjoin	31	4
2530	Diff. thrust plate pin	1909-16	$\frac{1}{2}$ " long	03		Admix	17	4
2531	Diff. thrust plate pin	1909-16	$\frac{1}{2}$ " long	03		Adgase	37	2
2531B	Diff. thrust plate pin	1917-22		03		Age	7640	6
2532	Diff. housing oil plug	1909-22	$\frac{3}{4}$ " x 24 thds.	05		Agger	817	1
2545	Rear axle grease cup	1909-22		10		Ajar	76	1
2547	Rear radius rod	1909-22		2 00		Altar	152	2
2548	Radius rod nut	1909-22	$\frac{1}{2}$ " x 18 thds.	05		Amass	77	2
2549	Radius rod lock nut	1909-22	$\frac{1}{2}$ " x 18 thds.	05		Amber	78	2
2550	Radius rod lock washer	1909-22		02		Ambush	2823	2
2551	Radius rod bolt	1909-22	$\frac{1}{2}$ " x $1\frac{1}{2}$ "	05		Ampite	83	4
2551B	Radius rod bolt nut	1909-22	Used on 2551	05		Armor	60	4
2557	Hub cam shaft—right	1909-22	$2\frac{1}{4}$ " long	15		Amuck	92B	1
2558	Hub cam shaft—left	1909-22	$2\frac{1}{4}$ " long	15		Anchor	61B	1
2559	Hub cam shaft bushing	1909-22	$\frac{1}{2}$ " bore, $\frac{1}{4}$ " dia.	05		Ancient	173	2
2562	Cam shaft lever	1909-22	$\frac{1}{2}$ " bore, $\frac{1}{4}$ " dia.	15		Arab	62	2
2563	Cam shaft lever pin	1909-22	$\frac{1}{8}$ " x $\frac{1}{2}$ "	03		Arbor	7	4
2564	Lever clevis pin	1909-22	$\frac{1}{8}$ " x 1"	03		Arcade	65	4
2566	Hub brake shoe	1909-22	Cast iron	35	MH	Arctic	2814	2
2567	Brake shoe support bolt	1909-22	$\frac{1}{2}$ " x $1\frac{1}{2}$ "	05		Argus	59	2
2568	Brake shoe support nut	1909-22	Order 2567B					
2570B	Brake shoe coil spring	1913-22	$3\frac{3}{4}$ " long	03		Asug	2862	4
2571	UNIVERSAL JOINT ASSEMBLY	1909-22		1 85		Ashore	151B	1
2572	Joint knuckle (male)	1909-22		50		Ashust	45B	1
2573	Joint knuckle (female)	1909-22		60		Askew	46B	1
2574	Joint knuckle pin	1909-22	$\frac{1}{2}$ " x $1\frac{1}{2}$ "	02		Asleep	6	1
2575	Joint ring, complete	1909-22	$\frac{3}{8}$ " dia.	60		Astert	49B	1
2576	Joint ring rivets (per set)	1909-22	$\frac{3}{4}$ " x $1\frac{1}{2}$ "	05		Atche	50	4
2577	Joint housing	1909-14	4 1/2" long	1 50		Atlas	70	1
2577B	Univ. joint housing	1914-22		1 50		Atoll	7609	1
2578	Joint housing plug	1909-22	$\frac{1}{2}$ " x 20 thds.	05		Atom	75	2
2579	Ball joint grease cup	1909-22	$\frac{1}{4}$ " pipe thds.	15		Attic	195	1
2580	Ball cap gasket	1909-22		05		Auburn	1518	1
2581	Drive shaft housing front bushing	1909-22	(1" bore), babbit. Old No. 2540	30		Balkish	69	1
2582	D. S. tubing	1911-22	$50\frac{3}{4}$ " long	8 00	MH	Ballad	153B	1
2583B	D. S. bearing housing	1920-22	Forging	2 00	MH	Ballace	191C	1
2584B	D. S. roller bearing cap screw	1912-22	$\frac{3}{8}$ " x $4\frac{5}{8}$ "	05		Balneal	183B	6
2584C	D. S. roller bearing stud nut	1912-22		05		Feast	184R	6
2584D	D. S. roller bearing cap screw lock washer	1912-22	per doz.	05		Balneary	157	6

†When ordered to replace malleable type housing also order 2589C.

Of the net amount at which these parts are billed to purchasers who purchase direct from the Ford Motor Company (except parts which show no Tax Status, if any) 20/21 represents the price of the goods and 1/21 represents excise tax.

Insist upon genuine Ford parts



Part No.	Name of Part	Year	Specifications	Price	Tax Status	Code Word	Fac. No.	Req. per Car
REAR AXLE—Continued								
2586	D. S. roller bearing housing set screw	1911-22	1/2" x 20 thds.	\$0 05		Banco	101R	1
2587	D. S. roller bearing	1911-22	2 3/4" long	1 25		Balsam	108	1
2588	D. S. roller bearing dis-tance plate	1911-22	2 3/4" dia.	05	MH	Bandler	106R	1
2589	D. S. ball race	1911-22	2 3/4" dia.	35		Bandon	186R	1
2589B	D. S. ball bearing as-sembly	1911-22		1 00		Bander	185AR	1
2589C	D. S. thrust bearing assy	1920-22		75		Bane	185B	1
2590	D. S. ball retainer	1911-22	2 1/4" dia.	03		Bandroe	190AR	1
2591	D. S. ball thrust collar	1911-22	2 1/4" dia.	25		Bandault	188	2
2591B	D. S. thrust ball and retainer assembly	1920-22		25		Bandala	162	1
2592	D. S. ball bearings, each	1911-22	Order 2811					
2593	D. S. roller bearing sleeve	1911-22	2 3/4" dia, 2 3/4" long	1 70		Bangle	107R	1
2595B	D. S. only (tapered)	1911-22	1 3/8" x 53 1/4"	3 50	MH	Banjo	87D	1
2596	D. S. sleeve	1911-22	1" bore, 3 1/2" long	1 00		Banshee	163B	1
2597B	D. S. pinion	1911-22	Taper bore, 11 teeth	1 25	MH	Banewort	16C	1
2597C	D. S. pinion	1911-22	Taper bore, 10 teeth	1 25	MH	Banneret	16D	1
2598	D. S. castle nut	1911-22	5/8" x 18 thds.	05		Banket	124	1
2598B	D. S. pinion key	1911-22		05		Banker	57B	1
REAR AXLE—60 INCH TREAD								
2600C	Rear axle housing—right	1915-16	Dia. of bell 9 3/4"	12 00	MH	Bang	2728C	1
2601C	Rear axle housing—left	1915-16	Dia. of bell 9 3/4"	12 00	MH	Bard	2729C	1
2602B	Rear axle shaft—tapered	1911-16	1 1/2" x 33 1/4"	3 00	MH	Baptiam	2725	2
2604	Rear radius rod	1909-16	53 1/8" tube only	2 00		Barbett	1726	2
FRONT AXLE								
2691	Front axle only	1909-22	56" tread	10 00	MH	Barber	202B	1
2694B	Spindle body—right	1911-22	Less cones and washer	1 50	MH	Barbican	280	1
2695B	Spindle body—left	1911-22	Less cones and washer	1 50	MH	Barblton	281	1
2696	Spindle arm—right or left	1911-19		60	MH	Bardism	7716	2
2696C	Spindle arm—right	1919-22		60	MH	Barm	7715B	1
2696D	Spindle arm—left	1919-22		60	MH	Barry	7716B	1
2697	Spindle arm nut	1911-22	Order 2548					
2702	Spindle assembly—right	1909-10		2 00	MH	Barkate	203A	1
2703	Spindle assembly—left	1909-10		2 00	MH	Barker	204A	1
2704	Stationary cone	1909-22	1 1/8" bore	20		Barkless	205	2
2705	Adjusting cone—right thread	1909-22	3/4" x 16 thds, R. T.	20		Barley	206	1
2706	Adjusting cone—left thread	1909-22	3/4" x 16 thds, L. T.	20		Barrack	207	1
2707	Spindle nut—right thread	1909-22	3/4" x 16 R. H. thds.	10		Barrow	209B	1
2708	Spindle nut—left thread	1909-22	3/4" x 16 L. H. thds.	10		Baron	208B	1
2709	Spindle washer	1909-22	1 1/8" hole x 1 3/8"	02		Barras	210	2
2710	Spindle bolt with oiler	1910-22	1 1/2" x 6 3/4"	20		Barter	7708	2
2711	Spindle bolt nut	1909-22	Order 2551B					
2713	Spindle body bush (pair)	1909-22	1/2" bore	20		Bartram	223	2
2714	Spindle arm bushing	1909-22	3/8" bore, 1/2" dia, 1" L.	05		Barwood	225	2
2715	Spindle oiler	1909-22	Order 3817					
2715B	Spindle bolt oiler assy	1915-16		05		Beard	4081	2
2715C	Spindle oiler	1917-18		05		Bilge	2944	1
2715D	Spindle oiler	1919-22	Order 3176C					
2717	Spindle con. rod	1909-22	46 3/4" long	2 50	MH	Basalt	264	1
2718	Spindle con. rod bolt with oiler	1909-22	1 1/2" x 2 1/4"	15		Basan	7706	2
2719	Spindle con.rod bolt nut	1909-22	3/4" x 20 thds.	03		Bashful	228	2
2721	Spindle con. rod yoke	1909-18	2 3/4" long	40		Bashule	248	1
2721B	Spindle con.rod yoke ball	1919-22		25		Baroko	226	1
2721C	Spindle con. rod yoke	1919-22		50		Barse	248B	1
2722	Steering yoke clamp bolt	1909-18		05		Era	79	1
2722B	Steering yoke clamp bolt nut	1909-18	Order 2515					
2725B	Steering gear con. rod	1909-22	Includes ball sockets	1 00	MH	Baslard	289	1
2728	Ball socket cap	1909-22		12		Basent	254B	2
2729B	Ball socket bolt and nut	1909-22	Order 2722 & 2515					
2733	Front radius rod	1909-19		2 00	MH	Beardless	263	1
2733B	Front radius rod	1919-22		2 00	MH	Bedazzle	263B	1
2734	Front radius rod nut	1909-19	Order 2548					
2736	Front radius rod ball cap	1909-22		12		Beaufet	217	1
2737	Front radius rod ball socket	1911-22		25		Beckon	809B	1
2741	Radius rod ball cap stud	1911-22		03		Plateau	4365	2
2741B	Radius rod ball cap stud nut	1911-22	Order 2515					
2742	Radius rod ball cap spring	1911-22		05		Bicep	292	2
2760	FRONT AXLE ONLY	1911-16	60" tread	10 00	MH	Bechance	1720B	1
2761	Steering spindle con. rod	1909-16	60" tread	3 00	MH	Beckert	1725	1
2762	Steering gear con. rod	1909-16	60" tread, includes ball sockets	1 25	MH	Becloud	2739	1
WHEELS								
2800	Front wheel	1909-22	30" x 3"	8 00		Becomb	291B	2
2800B	Front wheel—dem.	1919-22	Less rim and brgs., Kelsey	7 50		Barytom	291D	2
2800C	Front wheel—dem.	1919-22	Less rim and brgs., Hayes	7 50		Basanite	291E	2

†When substituting 2721C for old style yoke, also order 2721B Ball. Of the net amount at which these parts are billed to purchasers who purchase direct from the Ford Motor Company (except parts which show no Tax Status, if any) 20/21 represents the price of the goods and 1/21 represents excise tax.

Insist upon genuine Ford parts

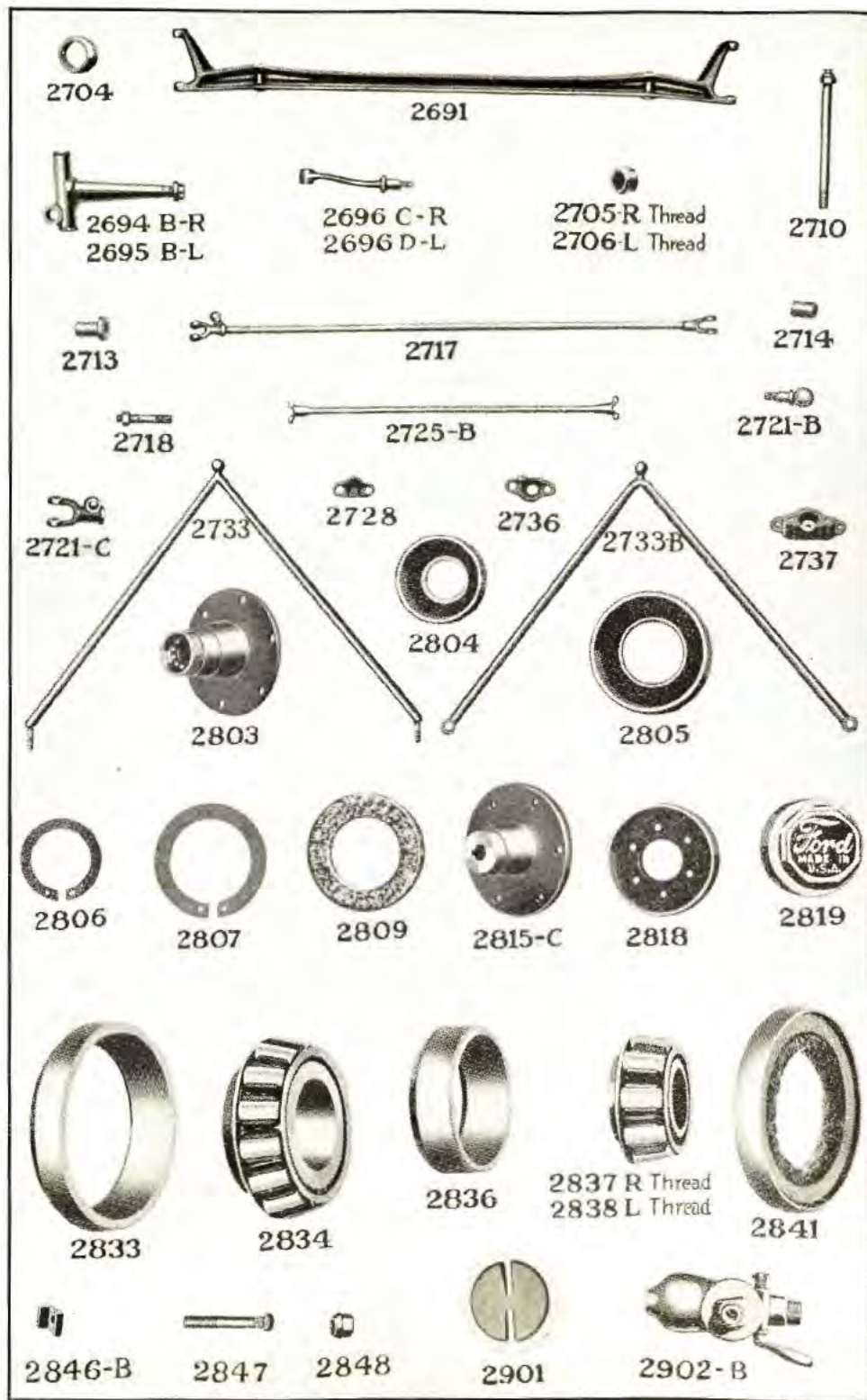


Plate No. 2

Part No.	Name of Part	Year	Specifications	Price	Tax Status	Code Word	Fac. No.	Req. per Car
WHEELS—Continued								
2800D	Front wheel—clincher—less hub	1909-22		\$6 00		Basaltine	295	2
2800E	Front and rear wheel—dem.—less rim & hub	1919-22	Kelsey	5 50		Basilisk	293A	4
2800E	Front and rear wheel—dem.—less rim & hub	1919-22	Hayes	5 50			293B	
2801	Front wheel comp. R—Demountable	1919-22	Rim and Timken bearings included, Kelsey	12 50		Bereave	7697	1
2801B	Front wheel comp. R—Demountable	1919-22	Rim and Timken bearings included, Hayes	12 50		Besecch	7697B	1
2802	Front wheel comp. L—Demountable	1919-22	Rim and Timken bearings included, Kelsey	12 50		Behest	7697	1
2802B	Front wheel comp. L—Demountable	1919-22	Rim and Timken bearings included, Hayes	12 50		Betoken	7697B	1
2803	Front hub assembly less flange, bolts and nuts	1909-22	With ball bearings	2 00		Bedew	200	2
2803B	Front hub with R B cups	1909-22		2 00		Bedouin	219	2
2804	Outer race	1909-22	1 3/8" dia.	10		Bedfere	234	2
2805	Inner race	1909-22	2 3/8" dia.	20		Bedight	235	2
2806	Outer ball retainer	1909-22	1 3/8" dia.	02		Bedim	236	2
2807	Inner ball retainer	1909-22	2 1/2" dia.	03		Bedside	237	2
2808	Dust ring	1909-22	Steel, 2 3/8" dia.	05		Bedward	238	2
2809	Front and rear hub felt washer	1909-22	2 1/4" dia.	05		Bedije	239	4
2810	Large balls, each	1909-22	1 1/2"	04		Beefing	241	24
2811	Small balls, each	1909-22	3/8"	03		Beemol	249	22
2814C	Rear wheel (taper hub)	1912-22	30" x 3 3/4"	8 00		Begah	2815	2
2814D	Rear wheel—clincher—less hub	1909-22		6 50		Basifer	2816	2
2814E	Rear wheel comp.—dem.	1919-22	Kelsey	10 00		Begim	7698	2
2814F	Rear wheel comp.—dem.	1919-22	Hayes	10 00		Behoney	7698B	2
2814G	Rear wheel—dem.	1919-22	Kelsey	7 00		Baskish	2815B	2
2814H	Rear wheel—dem.	1919-22	Hayes	7 00		Basketry	2815C	2
2815C	REAR HUB (TAPERED) less flange, bolts & nuts	1912-22		1 50	MH	Begol	2819	2
2816B	Rear hub key	1912-22	1/2" x 1/2" x 2 1/2"	03		Begloom	2863	2
2818	Rear hub brake drum	1909-22	3" hole, 8" dia.	50		Beguiler	3	2
2819	Hub cap	1909-22	2 1/4" x 2 1/4" thds.	15		Behave	7727	4
2825	Hub bolt	1911-22	3/8" x 2 1/4" x 16 thds.	03		Belay	28B	24
2825B	Hub bolt nut	1911-22	Used on 2825	03		Elk	29	24
2827	Hub flange	1911-22	6" dia.	20		Bellow	233B	4
2828	Rear hub lock nut	1912-22	3/8" x 18 thds.	06		Bengal	242	2
2833	Front hub bearing cup inner	1919-22		70		Benip	2955	2
2834	Inside spindle cone and roller assembly	1919-22		1 10		Bent	205B	2
2836	Front hub bearing cup outer	1919-22		60		Bepad	2956	2
2837	Outside spindle cone and roller assembly—right thread	1919-22		75		Beplay	206B	1
2838	Outside spindle cone and roller assembly—left thread	1919-22		75		Beplume	207B	1
2841	Front hub dust capassy	1919-22		10		Besunk	350	2
2845	Demountable rim only	1919-22	Kelsey	2 40		Bethrone	8774	4
2845B	Demountable rim only	1919-22	Hayes	2 40		Bejape	8774B	4
2846B	Demountable rim clamp	1919-22	Kelsey	10		Belat	8531B	16
2847	Demountable rim bolt	1919-22		05		Bewax	8832	16
2848	Dem. rim bolt nut	1919-22	Hayes	05		Benison	8834B	16
2848B	Dem. rim bolt nut	1919-22	Kelsey	05		Belabor	8834	16
2849	Spare rim carrier	1919-22		2 75	MH	Belamy	8848-7510	1
FRAME								
2850	Frame assembly	1909-22		13 00	MH	Belone	2916	1
2851B	Side member—right	1914-22		4 00		Benign	2914	1
2852B	Side member—left	1914-22		4 00		Berdash	2915	1
2853	Front cross member	1909-22	22 3/4" long	90		Beluga	303	1
2854B	Rear cross member	1914-22		1 20		Bendlet	2913	1
2855	Front corner bracket—right	1909-22		15		Benumb	305	1
2856	Front corner bracket—left	1909-22		15		Bequest	306	1
2857	Rear corner bracket—right	1909-22		15		Besiege	307	1
2858	Rear corner bracket—left	1909-22		15		Bespawl	308	1
2859	Frame front end spacer—left	1909-22		10		Benzoim	318B	
2860	Frame front end spacer—right	1909-22		10		Bestial	319B	
2863	Body bracket	1909-22	On frame	15		Bestow	344	4
GASOLINE TANK								
2900B	Gas tank	1916-22	Sedan	7 00	MH	Binocle	7950	
2900C	Gasoline tank	1909-22	Elliptical	5 00	MH	Biacid	1303B	1
2901	Filling plug	1909-22	2 1/2"	10		Biblist	1317	1
2902B	Sediment bulb	1909-22	With pet cock	90		Bickers	2088	1
2908	Pet cock	1909-22	Order 3079					

Of the net amount at which these parts are billed to purchasers who purchase direct from the Ford Motor Company (except parts which show no Tax Status, if any) 20/21 represents the price of the goods and 1/21 represents excise tax.

Insist upon genuine Ford parts

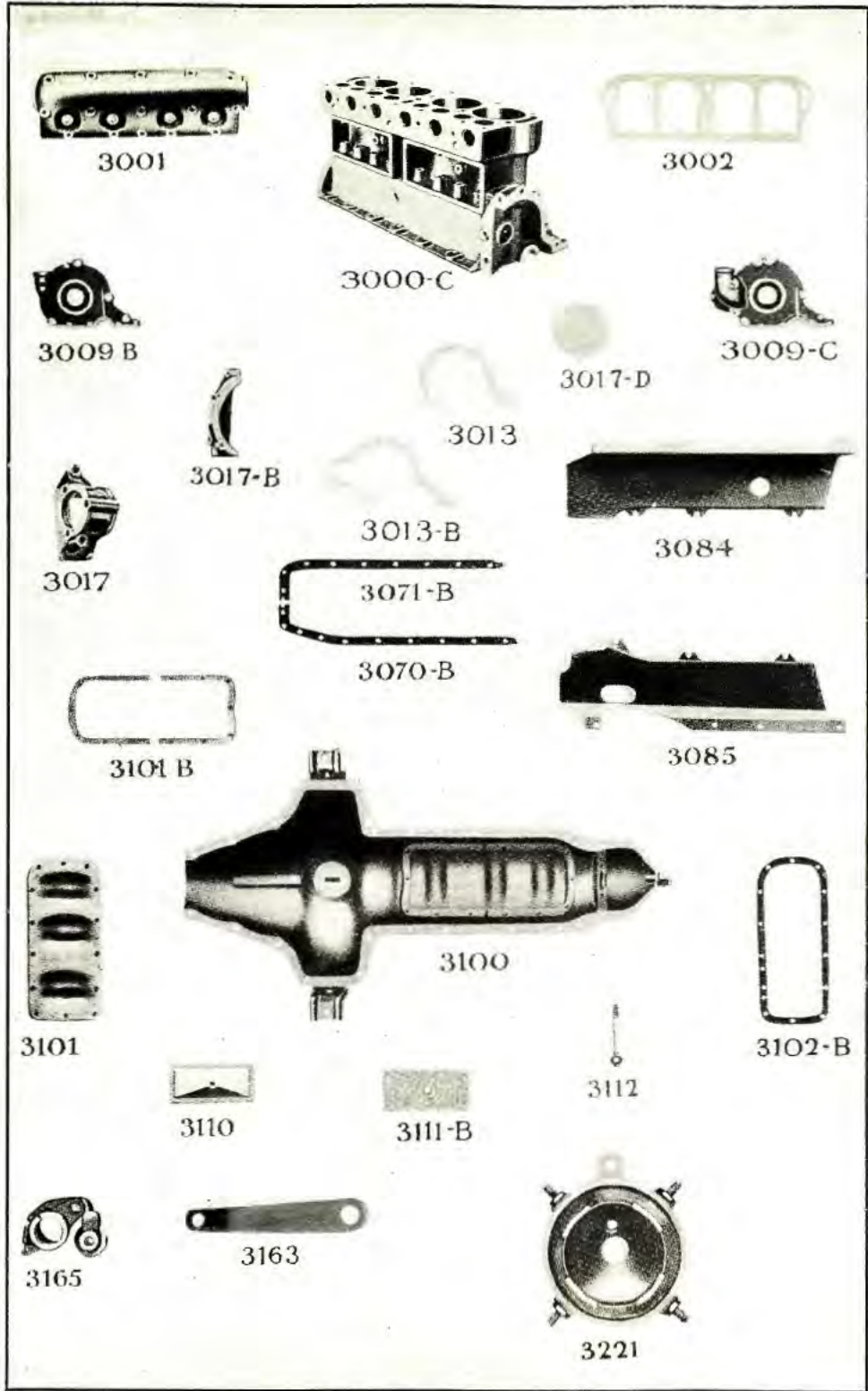


Plate No. 3

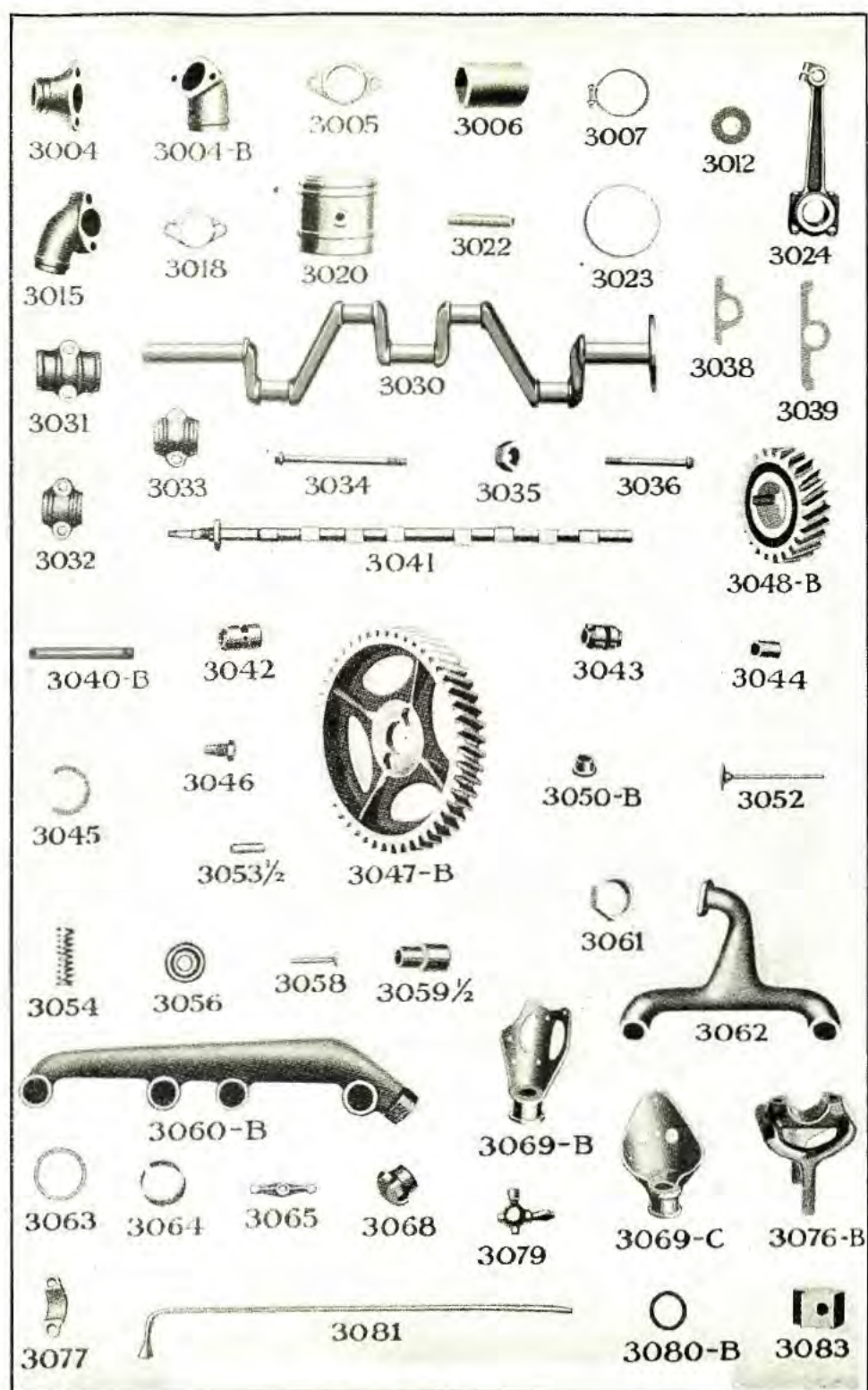


Plate No. 4

Table with columns: Part No., Name of Part, Year, Specifications, Price, Tax Status, Code Word, Fac. No., No. per Car, Req. per Car. Includes GASOLINE TANK-Continued and MOTOR sections.

Continuation of the parts price list table, including various engine components like pistons, valves, and bearings.

When used on car not equipped with starter also order 3017B, 3017C, 3011, 3008 and 3016.
Used with 3009C cylinder on cars not equipped with starter.
Connecting rods requiring new bearings will be exchanged at Branch or Factory for \$.75 each.
Of the net amount at which these parts are billed to purchasers who purchase direct from the Ford Motor Company...

Insist upon genuine Ford parts

Table with columns: Part No., Name of Part, Year, Specifications, Price, Tax Status, Code Word, Fac. No., No. per Car, Req. per Car. Includes MOTOR-Continued section.

When used to replace spur type gear also order 3048B.
When used to replace spur type gear also order 3047B.
When ordered to replace old style C. C. front frame bearing also order 2-3008, 2-3076C, 2-3078C, 1-3664, 1-3810 and 2-753 cotter.

Of the net amount at which these parts are billed to purchasers who purchase direct from the Ford Motor Company (except parts which show no Tax Status, if any) 20/21 represents the price of the goods and 1/21 represents excise tax.

Insist upon genuine Ford parts



3250-D



3254



3276-B



3260



3268



3277



3257



3277-B



3270



3278



3255-B



3272



3269-C



3279



3269-E



3300-B



3301



3304



3309



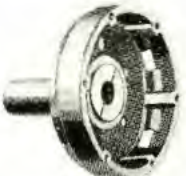
3313



3314 1/2



3306



3311



3315



3317



3320-C



3320-D



3327-B



3321



3328



3329



3331



3332



3336



3337



3340



3368



3341



3342



3344



3369

Part No.	Name of Part	Year	Specifications	Price	Tax Status	Code Word	Fac. No.	No. per Car	Req.
MOTOR—Continued									
3111B	Cyl. valve cover gasket	1912-22	Cork	\$ 0 05		Cloven	660A	2	
3111C	Cyl. valve cover gasket	1921-22	Cork	10		Cloyme	660B	1	
3112	Cyl. valve cover screw	1912-22	$\frac{3}{8}$ " x $2\frac{3}{4}$ "	03		Compone	654	2	
3114	Crank case arm with rivets	1909-22		30		Cloth	815	2	
3115	Crank case arm rivet	1909-22	per doz.	05		Clothier	312		
COMMUTATOR									
3162	Com. case support bolt	1912-19	$\frac{3}{8}$ " x $2\frac{1}{4}$ " x 24 thds.	05		Connote	4441	1	
3162B	Com. case support bolt	1919-22	Starter type	05		Constrict	1756	1	
3163	Com. case spring	1912-22	$3\frac{3}{4}$ " C. to C.	05		Conoid	689	1	
3165	Com. brush only	1912-22		30		Conquest	4481	1	
3176	Com. oiler	1912-16	$\frac{1}{8}$ " pipe thds.	05		Coomb	2385	1	
3176B	Com. oiler	1917-18		05		Coot	480	1	
3176C	Com. oiler	1919-22		05		Cooke	480B	1	
3177	Com. felt ring	1912-22	Felt	03		Coombox	5930	1	
3206	Com. brush cap	1909-22	$\frac{3}{8}$ " dia.	02		Convert	468	1	
3207	Com. brush cap pin	1909-22	$\frac{1}{8}$ " x $\frac{3}{16}$ "	01		Convict	466	1	
3210	Com. contact point nut	1910-22	$\frac{1}{8}$ " hex	02		Cooper	472B	8	
3220	Com. lock nut	1909-22	$\frac{1}{8}$ " x 18 thds.	05		Crater	471	1	
3221	Com. case with fibre assembled	1912-22		60		Crato	5908	1	
3222	Com. shield	1912-22		02		Crash	5923	1	
MAGNETO									
3250D	Magneto coil assembly	1915-22	Used with $\frac{3}{4}$ " magnets.	6 00		Craft	5941B	1	
3252	Magneto spool support screw	1909-22	Order 3371	03		Corbeil	537B	16	
3254	Magnet bolt washer	1909-22	$\frac{3}{8}$ " x $1\frac{1}{4}$ "	01		Corrupt	624	16	
3255B	Magnet bolt washer	1911-22	$\frac{3}{8}$ " hole, $\frac{1}{8}$ " dia.	05		Cordial	535C	16	
3257	Magnet brass support	1909-22	$\frac{3}{8}$ " x $\frac{3}{4}$ " brass	20	MH	Cormus	1545	1	
3260	Magneto con. assembly	1909-22	On trans. cover	01		Cornute	1598	2	
3261B	Magneto contact nut	1909-22		01		Cornel	1565	1	
3261C	Magneto contact screw washer	1909-22		05		Cornise	1509	1	
3262	Magneto contact spring	1909-22	Coil spring	10		Corsage	4350	1	
3262B	Magneto contact screw and spring assb.	1919-22		10		Corsage	4350	1	
3266	Magneto contact fibre screw	1909-22	$\frac{1}{2}$ " long	01		Cortile	1505B	3	
3267	Magneto primary insulating block	1915-22		05		Crumple	4382	1	
3267B	Magneto contact insulator	1919-22		10		Crush	1503B	1	
3267C	Magneto contact insulator shell	1919-22		03		Crutch	8611	1	
3268	Fly wheel ring gear	1919-22	For starter	2 00	MH	Cousin	1885	1	
3269C	Fly wheel	1911-19		6 00	MH	Cosmic	701B	1	
3269G	Fly wheel only	1919-22	Starter type	5 00	MH	Cozy	701C	1	
3269H	Fly wheel with ring gear and magnets assmbld	1919-22	Starter type	15 00	MH	Cranch	5946B	1	
3270	Fly wheel cap screw	1909-22	$\frac{1}{4}$ " x $1\frac{1}{8}$ "	10		Cossack	721	4	
3271	Fly wheel dowel pin	1909-22	$\frac{1}{8}$ " x $1\frac{1}{8}$ "	05		Costard	722	2	
3272	Magneto coil support shim	1909-22	Sheet steel	05		Costrel	584	1	
3276B	Magnet (16) per set	1915-22	$\frac{3}{4}$ " set	6 00		Court	5933	16	
3277	Magnet clamp	1911-22		03		Cotland	623	16	
3277B	Magnet clamp	1913-14		10		Cotta	4499	16	
3278	Magnet clamp screw	1911-22	$2\frac{1}{2}$ " x 24 thds. brass	03		Cottage	625	16	
3279	Magneto-contact washer	1909-22	On trans. cover—cork	01		Cough	560	1	
TRANSMISSION									
3300B	Transmission assembly	1919-22	Starter type. Does not include gear or magnets	35 00	MH	Daciam	744C	1	
3301	Trans. reverse plate assembly	1909-22		2 75	MH	Dacolt	747	1	
3304	Trans. reverse gear bushing	1909-22	$2\frac{5}{16}$ " ream.	50		Daddy	705	1	
3305	Trans. reverse and S. S. rivet	1909-22	$\frac{1}{4}$ " x $\frac{11}{16}$ "	05		Dado	708	8	
3306	TRANS. SLOW SPEED PLATE ASSEMBLY	1909-22		2 50	MH	Dagger	748	1	
3309	Trans. slow speed gear bushing	1909-22	$1\frac{3}{16}$ " ream.	35		Dairy	745	1	
3310	Trans. brake drum rivet	1909-22	$\frac{1}{4}$ " x $\frac{11}{16}$ "	05		Daisy	711	8	
3311	TRANS. BRAKE DRUM ASSEMBLY	1909-22		3 00	MH	Dakir	750	1	
3313	TRANS. TRIPLE GEAR ASSEMBLY	1909-22		1 50	MH	Dallop	751B	3	
3314 $\frac{1}{2}$	Trans. triple gear flanged bushing	1911-22	$1\frac{1}{16}$ " dia. x $1\frac{11}{16}$ "	25		Dalriad	716B	3	
3315	Trans. triple gear shaft	1909-22	$\frac{1}{8}$ " dia. x $2\frac{1}{2}$ "	15		Dalrotz	715	3	
3316	Trans. triple gear riveting pin	1909-22	$\frac{1}{16}$ " x $1\frac{1}{16}$ "	05		Damar	720	24	
3317	Trans. driven gear	1909-22	27 teeth	90	MH	Damask	713	1	
3318	Trans. driven gear key	1909-22		03		Dampen	714	2	
3320C	Trans. driven gear sleeve bushing	1909-22	$1\frac{1}{2}$ " long	20		Dark	712	2	
3320D	Driven gear sleeve washer	1909-22		03		Darken	776	3	

Of the net amount at which these parts are billed to purchasers who purchase direct from the Ford Motor Company (except parts which show no Tax Status, if any) 20/21 represents the price of the goods and 1/21 represents excise tax.

Insist upon genuine Ford parts

Part No.	Name of Part	Year	Specifications	Price	Tax Status	Code Word	Fac. No.	No. per Car	Req.
TRANSMISSION—Continued									
3321	TRANS. DRIVING PLATE ASSEMBLY	1909-22		\$3 50	MH	Dannock	749	1	
3323	Trans. driving platescrew	1909-22	Order 3371						
3325	Trans. driving plate rivet	1909-22	$\frac{1}{4}$ " x $\frac{5}{8}$ "	05		Darner	736	8	
3327B	Trans. driving plate bushing	1909-22	$1\frac{1}{8}$ " x $1\frac{1}{8}$ "	20		Darsis	772	1	
3328	Trans. thrust plate—small	1909-22	.6" dia.	10	MH	Dauphin	727	12	
3329	Trans. thrust plate—large	1909-22	.6 $\frac{1}{16}$ " dia.	10	MH	Davine	728	13	
3331	Trans. gear shaft	1909-22	1" dia. x $7\frac{1}{2}$ " over all.	1 50	MH	Decurt	723B	1	
3332	Trans. clutch disc drum	1909-22	$4\frac{1}{8}$ " dia.	1 50	MH	Deeply	725B	1	
3333	Trans. clutch disc drum key	1909-22		05		Defalk	726B	1	
3334	Trans. clutch disc drum set screw	1909-22	$\frac{3}{8}$ " x $\frac{3}{4}$ "	05		Defeat	752	1	
3336	Trans. clutch push ring	1909-22	.6 $\frac{1}{16}$ " O. D.	35	MH	Defile	770	1	
3337	Trans. clutch finger	1909-22		15		Define	732	3	
3337 $\frac{1}{2}$	Trans. clutch fingerscrew	1909-22	$\frac{3}{8}$ " x $\frac{3}{4}$ " x 24 thds.	05		Defour	756	3	
3337B	Trans. clutch finger and screw	1909-22		20		Defix	765	3	
3338	Trans. clutch finger pin	1909-22	$\frac{1}{8}$ " x $1\frac{1}{8}$ "	02		Deform	735	3	
3340	Trans. clutch spring	1909-22	$2\frac{3}{8}$ " dia. x $2\frac{3}{4}$ " long	35		Defoue	737	1	
3341	Trans. clutch spring support	1909-22		15	MH	Delator	738	1	
3342	Trans. clutch spring thrust ring pin	1909-22	$\frac{3}{16}$ " x $2\frac{3}{8}$ "	05		Delete	739	1	
3344	Trans. clutch shift	1909-22		50	MH	Delight	733	1	
TRANSMISSION COVER									
3362	Trans. cover bolt and nut	1909-22	$\frac{3}{8}$ " x $1\frac{1}{4}$ ". Order 2722 & 2515						
3363	Trans. cover gasket (front)	1909-22	$\frac{1}{4}$ " x $\frac{1}{4}$ " x $15\frac{1}{2}$ " felt	05		Defy	872B	1	
3363B	Trans. cover gasket—short	1909-22	$\frac{1}{4}$ " x $\frac{1}{4}$ " x 13" felt	03		Defiant	4358	1	
3367	Trans. cover door screw	1909-22	$\frac{1}{4}$ " x $\frac{1}{2}$ "	02		Demain	430	6	
3368	Universal ball cap (rear)	1909-22	$5\frac{5}{8}$ "	30	MH	Demarch	818	1	
3369	Universal ball cap (front)	1909-22	Bearing included	80	MH	Demarga	819D	1	
3371	Universal ball cap screw	1909-22	$\frac{3}{8}$ " x $\frac{1}{2}$ "	03		Demise	731	2	
3372	Universal ball cap bolt and nut	1909-22	Order 2722 & 2515						
3375	Trans. cover screw	1909-22	Order 3072						
3376B	TRANS. COVER	1919-22	Starter type	6 50	MH	Den	826E	1	
3377B	Trans. cover gasket (pair)	1909-22	Cork	15		Dennet	885B	1	
3378	Trans. cover sloping door	1911-22	$9\frac{1}{2}$ " long	15	MH	Dental	1546D	1	
3379B	Trans. cover sloping door gasket	1911-22	Cork	05		Denude	1547C	1	
3380	Bendix cover	1919-22		20	MH	Tendon	1763	1	
3381	Bendix cover gasket	1919-22		03		Thigh	1764	1	
3382	Trans. cover rear plate	1919-22		05	MH	Deputy	1761	1	
3383	Trans. cover front plate	1919-22		10	MH	Descry	1758	1	
TRANSMISSION CONTROL									
3400	Trans. clutch release ring	1909-22	$3\frac{11}{16}$ " long	25		Detail	741	1	
3402D	Clutch lever and shaft	1913-22		45		Disdain	1548	1	
3403	Clutch lever screw	1909-22	Order 3973						
3403B	Clutch lever screw nut	1909-22	Order 3006B						
3405	Clutch lever pin	1909-22	$\frac{1}{4}$ " x $1\frac{1}{16}$ "	02		Detour	1553	1	
3406B	Clutch release fork—right or left	1913-22		20		Deuce	4345	2	
3406C	Clutch release fork pin	1913-22	Order 3405						
3408	Clutch release fork key	1909-14		05		Dilate	836	2	
3409	Clutch release fork clamp screw	1909-14	$\frac{3}{8}$ " x $\frac{11}{16}$ "	10		Dipper	835	2	
3411	Clutch lever clevis pin	1909-22	Order 2504						
3413	TRANSMISSION BAND ASSEMBLY	1909-22	(Bands will be exchanged at Branch or Factory at 50c each.)	60	MH	Disblame	838B	3	
3415	Trans. band washer	1909-22	$\frac{3}{16}$ " hole x $\frac{1}{2}$ " dia.	03		Discure	840	2	
3416	Trans. band lining	1909-22		15	MH	Disedge	1562A1	3	
3416B	Trans. band lining—set of 3, inc. rivets—in carton	1909-22		85		Disenroll	1562A2	1	
3419	Trans. band adjusting screw	1909-22	$\frac{3}{8}$ " x $3\frac{1}{8}$ "	10		Disfriar	1533	1	
3420	Trans. band adjusting screw nut	1909-22	$\frac{3}{8}$ " x 16 thds.	05		Dislimb	1532	1	
3421B	Trans. band ear iron rivet, per doz.	1909-22	$\frac{1}{16}$ " x $\frac{3}{8}$ "	05		Dismal	843	12	
3422B	Trans. band brass rivet, per doz.	1909-17	$\frac{1}{16}$ " x $\frac{1}{2}$ "	05		Dismast	844B	6	
3423B	Trans. band brass rivet, per doz.	1909-22	$\frac{1}{16}$						

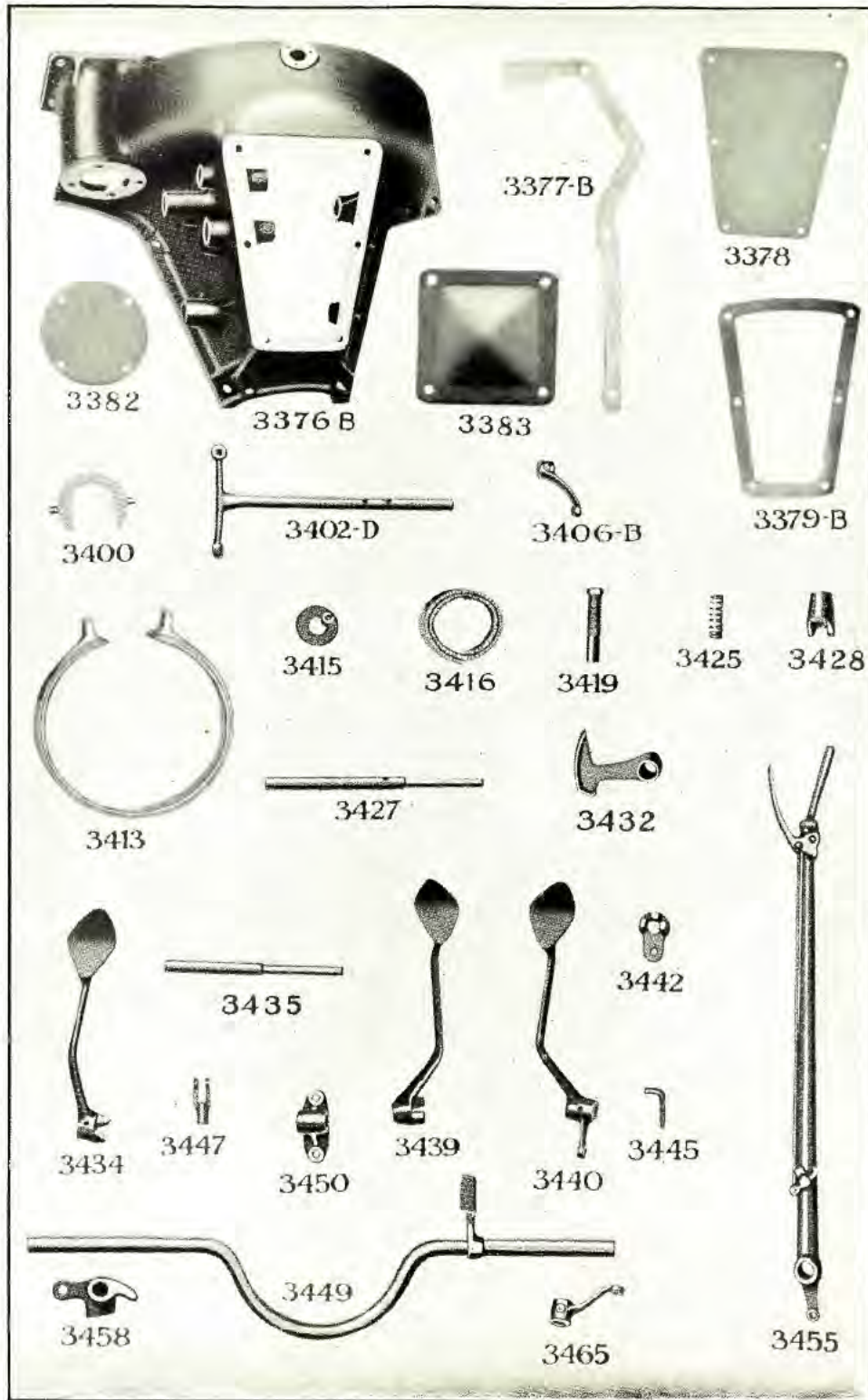


Plate No. 7

Part No.	Name of Part	Year	Specifications	Price	Tax Status	Code Word No.	Fac. No.	Req. No.	per Car
TRANSMISSION CONTROL—Continued									
3428	Slow speed notch	1909-22	On slow speed shaft	\$ 0 30		Distrand	4327	1	
3429	Slow speed notch pin	1909-22	1/4" x 1 1/8"	02		Disrobe	1560	1	
3432	Speed lever	1909-22		10		Distaff	862B	1	
3434	Reverse pedal	1909-22		60	MH	Disting	4324	1	
3435	Brake and rev. pedal shaft	1909-22	5/8" dia. x 7 1/8"	15		Distrite	849B	2	
3436	Brake and rev. pedal support	1909-22		20		Distune	4325	2	
3437	Brake and rev. support bolt	1909-22	3/8" x 1 1/2"	05		Ditcher	1534	2	
3437B	Brake and rev. support bolt nut	1909-22	Order 2515						
3439	Brake pedal	1909-22		60	MH	Dittost	4323	1	
3440	Clutch pedal	1909-22		60	MH	Ditty	854B	1	
3441	Pedal pin	1909-22	Order 3405						
3442	Clutch pedal support	1909-22		20		Dookad	4326	1	
3443	Clutch pedal support bolt	1909-22	3/8" x 2"	05		Doorga	1536	1	
3443B	Clutch pedal support bolt nut	1909-22	Order 2515						
3445	Slow speed connection	1909-22		05		Doree	1540	1	
3446	Slow speed con. lock nut	1909-22	Order 2503P						
3447	Slow speed con. clevis	1909-22		10		Dormer	802	1	
3448	Controller quadrant	1909-22	On frame	20		Dormouse	309B	1	
3449	CONTROLLER SHAFT WITH SPEED LEVER	1909-22		80	MH	Doron	1557	1	
3450	Controller shaft bracket	1909-22	On frame	15		Dorrer	311	2	
3452	Controller shaft bracket bolt	1909-22		03		Fog	315	4	
3452B	Controller shaft bracket bolt nut	1909-22	Used on 3452	02		Frolic	316	4	
3455	HAND BRAKE LEVER ASSEMBLY	1909-22		1 25	MH	Dotant	1550	1	
3456B	Hand brake lever pin	1909-22	Order 2574						
3457	Hand brake lever key	1909-17		05		Doublet	874	1	
3458	Hand brake lever pawl	1909-22		10		Doucet	875	1	
3459	Hand brake lever pawl pin	1909-22	1/8" x 1 1/8"	02		Doura	876	1	
3460	Hand brake lever pawl rod	1909-22		10		Dovecote	877	1	
3462	Hand brake lever pawl lift assembly	1909-22	Handle and spring	15		Dovekie	4363	1	
3463	Hand brake lever pawl lift spring	1909-22		02		Dawcet	888	1	
3465	HUB BRAKE LEVER ON CONTROLLER SHAFT	1909-22		20		Dawdy	864	1	
3466	Hub brake lever pin	1909-22	Order 3405						
3467	Hub brake lever clevis	1909-22	2 1/8", Order 3447						
3468	Hub brake pull rod—right	1909-22	54 1/8" long	60	MH	Drongo	891B	1	
3469	Hub brake pull rod—left	1909-22	54 1/8" long	60	MH	Dropax	1513B	1	
3470	Hub brake rod support—right	1909-22		10		Dropsy	1367	1	
3471	Hub brake rod support—left	1909-22		10		Drugger	1398	1	
3472	Hub brake rod support bolt	1909-22	3/4" x 1 1/8"	03		Methol	1308	2	
3472B	Hub brake rod support bolt nut	1909-22	Order 3088E						
STEERING GEAR									
3500C	Steering gear assembly	1911-22	51" long	10 00	MH	Estopped	5042	1	
3501C	Steering gear rim	1920-22	18"	75		Estuary	901C	1	
3502	Steering gear rim screw	1909-22	No. 12, 3/4"	01		Eblis	6849	4	
3503D	Steering gear spider	1920-22	16"	50		Etagera	902C	1	
3503E	Steering gear spider and rim	1909-22	16"	1 25	MH	Eulodic	995A2	1	
3504	Steering gear cover	1909-22	2 1/4" x 18 thds	35		Echole	5039	1	
3505	Steering gear cover screw	1909-22	No. 6, 32 x 3/8"	02		Eccope	910	1	
3506	Steering gear cover bushing	1909-22	1" long, steel	15		Echo	914	1	
3506B	Steering gear driving pinion washer	1909-22	Steel	02		Elf	5026	1	
3507	Steering gear internal gear case and bushing	1909-22		1 00		Egg	5036	1	
3509	Steering gear quadrant	1909-22		15		Ectype	906B	1	
3510	Steering gear quadrant rivet	1909-22	3/32" x 1 1/4"	01		Eden	5041	2	
3511	Steering gear wheel nut	1909-22	3/8" x 16 thds	10		Edict	913	1	
3512C	Steering gear tubing assembly	1912-22	Applies to No. 3500C	4 00		Ethicer	5016	1	
3513B	Steering tubing flange screw	1913-16	5/16" x 1 1/8"	03		Ethule	5019	1	
3513C	Steering tubing flange screw	1913-22	1/8" x 1 1/8"	03		Platter	5018	3	
3514	Steering tubing flange screw nut	1913-22	Used on 3513B and C	02		Harrow	926	1	
3516C	Steering gear post	1912-22	Applies to No. 3500C	1 75		Estricked	5043	1	
3517	Steering gear pinion	1909-22	12 teeth	15		Egad	916	3	

Of the net amount at which these parts are billed to purchasers who purchase direct from the Ford Motor Company (except parts which show no Tax Status, if any) 20/21 represents the price of the goods and 1/21 represents excise tax.

Insist upon genuine Ford parts

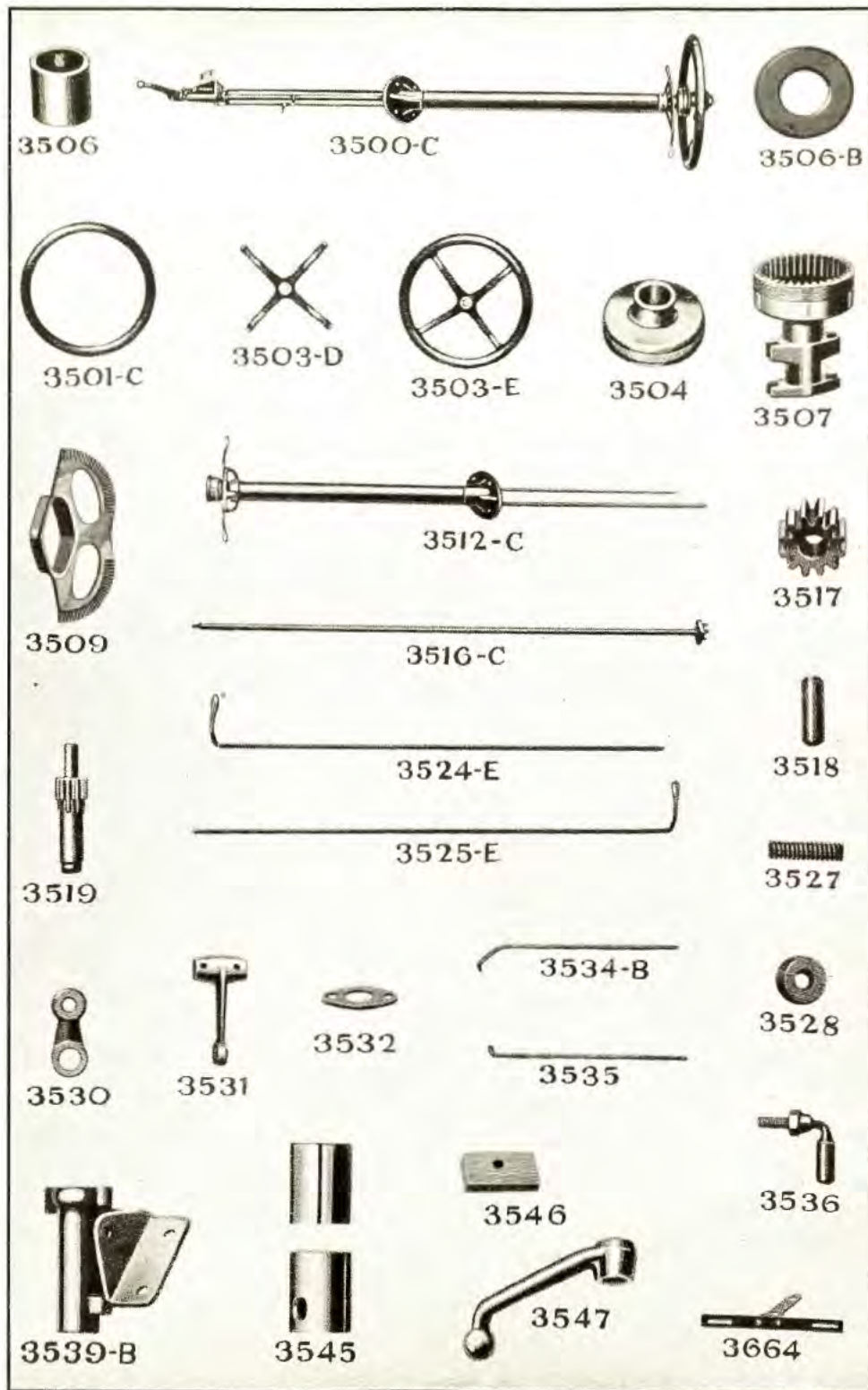


Plate No. 8

Part No.	Name of Part	Year	Specifications	Price	Tax Status	Code Word	Fac. No.	No. per Car	Req.
STEERING GEAR—Continued									
3518	Steering gear pinion pin—short	1909-22	$3\frac{1}{8}'' \times 1\frac{1}{8}''$	\$0	03	Egest	917	2	
3518B	Steering gear pinion pin—long	1921-22			03	Egoism	918	1	
3519	Steering gear drive pinion	1909-22	12 teeth		30	Egger	911	1	
3520	Steering gear drive pinion key	1909-22	$\frac{1}{16}''$ sq. x $3\frac{1}{2}''$		03	Egma	909	1	
3523	Steering gear post castle nut	1909-22	Order 2551B						
3524E	Throttle rod	1912-22	$47\frac{1}{2}''$ Applies to 3500C		40	Euter	5038	1	
3525E	Lead rod	1912-22	$51\frac{1}{4}''$ Applies to 3500C		40	Evans	5037	1	
3527	Lead and throttle rod spring	1909-22			03	Elite	935	2	
3528	Lead and throttle rod collar	1909-22	$\frac{1}{8}''$ bore x $\frac{1}{8}''$		02	Elope	936	2	
3529	Lead and throttle rod pin	1909-22	$\frac{1}{8}'' \times \frac{1}{8}''$		01	Elvan	937	5	
3530	Lead rod lever	1909-22			10	Embank	946	1	
3531	Throttle rod lever	1909-22			10	Ember	947	1	
3532	Lead and throttle rod guide	1909-22	$\frac{3}{4}''$ bore		05	Emblem	938	1	
3534B	Commutator pull rod	1912-22			10	Embrace	2082	1	
3535	Carburetor pull rod	1909-22	$14\frac{1}{2}''$ long		10	Emboss	1329	1	
3536	Ball and socket joint	1909-22			10	Embraid	1326	1	
3537	Ball and socket joint nut	1909-22	$\frac{1}{8}'' \times 32$ thds.		02	Embrute	1327	1	
3539B	Steering post bracket with bushing	1911-22	Touring		75	Eupon	996	1	
3539C	Steering post bracket with bushing	1918-22	Truck—Old No. 1105		90	Dream	TT996	1	
3540	Steering post bracket bolt and nut—long	1909-22	Order 3073 & 2515						
3541	Steering post bracket bolt and nut—short	1911-22	Order 3074 and 2515						
3544	Steering post bracket felt washer	1909-22			03	Endow	943	1	
3545	Steering post bracket bushing	1909-22	$\frac{3}{4}''$ bore, brass, 2 pieces		20	Envault	944-5027	1	
3546	Steer. post bracket block	1909-22	Wood		10	Empact	945	1	
3546B	Steer. post bracket block	1918-22	Truck—Old No. 1106		05	Drift	TT945	1	
3547	Steering gear ball arm	1909-22			50	Eparch	929B	1	
3548	Steering gear ball arm key	1909-22			05	Ephod	930	1	
3549	Steering gear bracket dust cap	1918-22	Truck—Old No. 1107		05	Drum	TT5044	1	
BODY PARTS									
3601B	Body bracket on body	1910-22	Center and rear		10	Fabric	1624	6	
3601C	Body bracket—front—R	1921-22	Touring Car & Coupe		20	Fabulist	7267B	1	
3601D	Body bracket—front—L	1921-22	Touring Car & Coupe		20	Fabulize	7268B	1	
3602D	Body bracket con. bolt	1916-22	$\frac{7}{8}'' \times \frac{3}{4}''$		03	Poach	5653	6	
3602E	Body bracket con. bolt	1916-22	$\frac{7}{8}'' \times 1\frac{1}{4}''$		03	Pilgrim	2431	6	
3602F	Body bracket con. bolt nut	1916-22	Order 2719						
3624E	Front floor rubber mat	1915-22	$28\frac{1}{2} \times 29\frac{1}{4}''$ Tr. & Rb't.	1	20	Faith	7299	1	
3626B	Floor board (first)	1915-22	Tour. R'nab't & Coupe'l't.		35	Farm	7296	1	
3626C	Floor board with plate (first)	1915-22			45	Farrago	4200	1	
3627B	Floor board (second)	1915-22	Tour. Runab't & Coupelet		35	Faro	7297	1	
3627C	Floor board with plate (second)	1915-22			45	Fascia	4201	1	
3628	Floor board (third)	1915-22	Specify size		60	Fasces	1404B	1	
3628B	Floor board with plate (third)	1915-22			65	Fascine	7104	1	
3630	Floor board forward plate for pedals	1909-22	$2\frac{1}{8}'' \times 3\frac{3}{8}''$		10	Fateful	1400C	1	
3632	Floor board rear plate for pedals	1909-22	$2\frac{1}{8}'' \times 4\frac{7}{8}''$		10	Father	1095C	1	
3633	Floor board plate for side lever	1909-22	$2\frac{3}{8}'' \times 8\frac{3}{4}''$		05	Fathom	1094B	1	
3634D	Dash	1913-14	$21\frac{1}{2}'' \times 32\frac{1}{2}''$	3	00	Flamgo	5336	1	
3634E	Dash	1915-16		3	50	Fleet	7462	1	
3634G	Dash	1917-22		3	00	Fringe	8754	1	
3638B	Dash shield	1919-22			10	Faubage	5432B	1	
3639	Dash weatherstrip—side	1917-22			05	Flicker	8747	2	
3639B	Dash weatherstrip—top	1917-22			20	Floren	8752	1	
3640C	Dash bracket—left	1917-22			15	Foal	8722	1	
3641C	Dash bracket—right	1917-22			15	Fowl	8721	1	
3642B	Dash bracket to dash bolt	1917-22			03	Rodent	8740	4	
3642C	Dash bracket to dash bolt nut	1917-22	Order 3514						
3645	Dash bracket to dash bolt	1909-16	$\frac{1}{8}'' \times 1\frac{1}{4}'' \times 18$ thds.		03	Favos	2427	2	
3645B	Dash bracket to dash bolt nut	1909-16	Used on 3645		02	Gram	341	2	
3653B	Dash to body brkt. bolt	1915-22	Touring car		03	Planet	4248	2	

††When used on 1911-16 cars redrill frame.

Of the net amount at which these parts are billed to purchasers who purchase direct from the Ford Motor Company (except parts which show no Tax Status, if any) 20/21 represents the price of the goods and 1/21 represents excise tax.

Insist upon genuine Ford parts



Part No.	Name of Part	Year	Specifications	Price	Tax Status	Code Word	Fac. No.	No. per Car	Req.
BODY PARTS—Continued									
3653C.	Dash to body brkt. bolt nut	1915-22	Order 3645B.						
3654	Dash to body gasket	1918-22		\$0 05		Feaze		8769	
3660C.	Tail lamp and license bracket assembly	1915-22	Touring car, Sedan	50		Flour		7506	1
3660D.	Tail lamp and license bracket assembly	1915-22	Runabout and Coupelet	40		Flute		7505	1
3662	Front license bracket-R	1920-22		10		Fluffy		287	1
3663	Front license bracket-L	1920-22		10		Fluently		288	1
3664	Front license bracket	1921-22		15		Fluxion		493	1
3667E.	Front seat cushion	1909-21		6 00	MH	Farce		8076	1
3667F.	Front seat cushion	1921-22		6 00	MH	Farical		8076B	1
3670D.	Rear seat cushion	1909-21		6 50	MH	Forum		7032	1
3670E.	Rear seat cushion	1921-22		6 50	MH	Forthy		7032B	1
3676B.	Rear floor mat	1911-21	30" x 28" wool	1 60		Flatus		1606B	1
3676C.	Rear floor mat	1921-22		1 00		Flaunt		1606C	1

Part No.	Name of Part	Year	Specifications	Price	Tax Status	Code Word	Fac. No.	No. per Car	Req.
SPRINGS									
3800	Front spring	1909-22		2 50	MH	Gadan		332	1
3801	First leaf (main leaf)	1909-22		80		Golf		2943	1
3802B.	Second leaf	1909-22		50		Goose		2935	1
3803	Third leaf	1909-16	Tapered ends	40		Gaddish		356	1
3803B.	Third leaf	1916-22	Square ends	40		Gopher		2936	1
3804	Fourth leaf	1909-16	Tapered ends	30		Gadoid		357	1
3804B.	Fourth leaf	1916-22	Square ends	30		Gosling		2937	1
3805	Fifth leaf	1909-16	Tapered ends	25		Gallic		358	1
3805B.	Fifth leaf	1916-22	Square ends	25		Gossip		2938	1
3806	Sixth leaf	1909-16	Tapered ends	20		Gafol		359	1
3806B.	Sixth leaf	1916-22	Square ends	20		Gothic		2939	1
3807	Seventh leaf	1909-16	Tapered ends	15		Gaiter		360	1
3807B.	Seventh leaf	1916-22	Square ends	15		Gally		2947	1
3808	Front spring clip	1909-22		20		Galena		325C	2
3809	Front spring clip nut	1909-22	Order 2951B.						
3810	Front spring clip bar	1921-22		25		Gallate		342	1
3811	Front spring tie bolt	1909-22	3/8" x 2 1/4"	04		Galley		1362	1
3811B.	Front spring tie bolt nut	1909-22	Used on 3811	02		Galleon		1363	1
3813	Front spring hanger	1909-22	Used on 3811 (Each piece)	15		Gambit		246B	4
3815	Front and rear spring hanger nut	1909-22	Order 2719						
3817	Front and rear spring hanger oiler	1909-16		05		Gamin		218	8
3818	Front spring perch-right	1909-19		60	MH	Ganut		274	1
3818B	Front spring perch-right	1919-22		60	MH	Garret		274B	1
3819	Front spring perch-left	1909-19		60	MH	Gander		275	1
3819B	Front spring perch-left	1919-22		60	MH	Gastar		275B	1
3820	Front spring perch bushing	1909-22	1 1/2" x 1 1/2"	05		Gangue		230	4
3821	Front spring perch nut	1909-22	5/8" x 18 thds. Order 2828						
3821B	Front spring perch nut	1921-22		06		Garble		240	1
3823	Front spring leather	1909-22	1 1/2" x 5 1/2"	10		Gannet		262	1
3824	REAR SPRING	1909-22	56" tread, 8 leaf	7 50	MH	Ganoid		333	1
3825	First leaf (main leaf)	1909-19	Tapered ends	1 70		Gantlope		361	1
3825B.	First leaf (main leaf)	1918-22	Tapered ends	1 70		Gallop		355	1
3826	Second leaf	1909-19	Tapered ends	1 55		Gantois		362	1
3826B.	Second leaf	1918-22	Square ends	1 55		Galore		362B	1
3827	Third leaf	1909-19	Tapered ends	1 40		Ganza		363	1
3827B.	Third leaf	1918-22	Square ends	1 40		Garnish		363B	1
3828	Fourth leaf	1909-19	Tapered ends	1 25		Gaphare		364	1
3828B.	Fourth leaf	1918-22	Square ends	1 25		Gender		364B	1
3829	Fifth leaf	1909-19	Tapered ends	1 10		Garden		365	1
3829B.	Fifth leaf	1918-22	Square ends	1 10		Genus		365B	1
3830	Sixth leaf	1909-19	Tapered ends	1 00		Garland		366	1
3830B.	Sixth leaf	1918-22	Square ends	1 00		Choul		366B	1
3831	Seventh leaf	1909-19	Tapered ends	90		Garlic		367	1
3831B.	Seventh leaf	1918-22	Square ends	90		Giant		367B	1
3832B.	Eighth leaf	1909-22	Square ends	80		Gimlet		368B	1
3833	Rear spring clip	1909-22	4 1/2"	20		Game		326	2
3834	Rear spring clip nut	1909-22	Order 2548						
3835	Rear spring clip bar	1909-22	3/4" x 1 1/4" x 4" x 1/4"	10		Gascon		329	2
3837	Rear spring tie bolt	1909-22	3/4" x 2 1/4"	04		Gastric		1352	1
3837B.	Rear spring tie bolt nut	1909-22	Used on 3837	02		Gaufler		1353	1
3840	Rear spring hanger	1909-22	(Each piece)	15		Gautus		91	4
3842	Rear spring leather pad	1909-22	2" x 10 1/4"	10		Gavel		94	1
3843	Rear spring perch	1909-22		40	MH	Gavot		2804	2
3844	Rear spring perch bushing	1909-22	1/8" bore x 3/4" dia. x 2"	05		Gawky		172	4
3845	Rear spring perch nut	1909-22	1/8" x 16 thds	05		Gazara		174	2
3847	Frontspr'g clamp assembly with bolt and nut	1909-16		10		Gazzam		374	2
3847B.	Frontspr'g clamp assembly with bolt and nut	1916-22	(for 6 leaf spring)	10		Gown		2953	2
3848	Rear spr'g clamp assembly with bolt and nut	1909-17		10		Gecko		376	2
3848B.	Rear spr'g clamp assembly with bolt and nut	1918-22		10		Gemmy		378	2

Of the net amount at which these parts are billed to purchasers who purchase direct from the Ford Motor Company (except parts which show no Tax Status, if any) 20/21 represents the price of the goods and 1/21 represents excise tax.

Insist upon genuine Ford parts

Part No.	Name of Part	Year	Specifications	Price	Tax Status	Code Word	Fac. No.	No. per Car
REAR SPRING—60 INCH TREAD								
3850	Rear spring	1909-16	48 1/2" long, 8 leaf	\$ 9 00	MH	Geddur	1704	1
3851	Rear spring clip	1909-16	3/8" x 4 1/2"	20		Gelder	1737	2
3852	Rear spring tie bolt	1909-16	3/8" x 3 1/2"	10		Gemote	1738	1
3852B	Rear spring tie bolt nut	1909-16	Order 3837B					
3853	First leaf (main leaf)	1909-16		1 80		Gembok	1739	1
3854	Second leaf	1909-16		1 60		Gershon	1740	1
3855	Third leaf	1909-16		1 40		Gerper	1741	1
3856	Fourth leaf	1909-16		1 20		Gherkin	1742	1
3857	Fifth leaf	1909-16		1 00		Gibbet	1743	1
3858	Sixth leaf	1909-16		90		Ginger	1744	1
3859	Seventh leaf	1909-16		75		Gipsire	1745	1
3860	Eighth leaf	1909-16		60		Gisarm	1746	1
STARTING CRANK								
3900	Starting crank only	1909-22		60		Hernia	519B	1
3901	Starting crank handle	1909-22		20		Heron	520	1
3902	Starting crank handle bolt	1909-22	1/2" x 4 1/8"	10		Herpes	521	1
3903	Starting crank sleeve	1909-22	1/2" bore x 1 1/2" x 2 3/4"	10		Hesper	523	1
3905	Starting crank ratchet pin	1909-22	1 3/8"	05		Hestern	4491	1
3906	Starting crank ratchet	1909-22		25		Hetman	528	1
3908	Starting crank spring	1909-22		05		Hilding	626	1
3909	Starting crank handle spring	1915-22		03		Hitter	5911	1
RADIATOR—THERMO-SYPHON								
3925	Radiator	1909-16		17 00	MH	Hominy	1106C	1
3925B	Radiator	1917-22		17 00	MH	Honey	8700	1
3925C	Radiator less shell	1917-22		15 75	MH	Hoop	8736	1
3926	Radiator cap	1909-22		15	MH	Hoohir	8714	1
3928	Radiator pad	1909-19	Leather	05		Hovel	1105	2
3929	Radiator stud	1909-19	3/8" x 2 1/8"	05		Hoxv	1162	2
3929B	Radiator stud	1919-22		05		Hoxv	1162B	2
3929C	Radiator stud nut	1909-22	Used on 3929 & 3929B	03		Hive	1154	2
3930	Radiator stud spring	1909-22	Order No. 2742					
3931 1/2	Radiator stud washer nut	1909-22	8/16" x 24 thds.	03		Huffish	1161	2
3932	Radiator rod	1909-22	20 3/4" long	15	MH	Huller	1111B	1
3934	Radiator rod nut	1909-22	Order 3066B					
3939	Outlet connection pipe	1909-22	1 3/4" x 12"	35		Humic	1121	1
3940	Outlet connection cock	1909-22	Order 3079					
3944	Outlet connection hose	1909-22	1 3/4" x 2 3/4"	10		Hungry	507B	2
3945	Outlet connection hose clip	1909-22	2 1/8" dia.	05		Hunter	554	4
3947	Radiator shell	1917-19		1 25	MH	Hymn	8737	1
3947B	Radiator shell	1919-22		1 25	MH	Hymnal	8737B	1
3975	Radiator stud spring upper thimble	1919-22		02		Hump	1115	1
3976	Radiator stud spring lower thimble	1919-22		03		Hurst	1114	1
RADIATOR FAN								
3960	Fan and pulley assembly	1909-20		1 25	MH	Hatten	619	1
3960B	Fan & bracket assembly	1920-22		1 75	MH	Huttot	8759B	1
3961	Fan blade	1909-20		10		Hyades	611	4
3961B	Fan blade rivets, per dozen	1909-20		05		Hyad	1566	16
3961C	Fan blade assy	1920-22		30		Iambe	620	1
3962	Driven fan pulley	1909-20	Brass, upper	80		Hydra	618	1
3962B	Driven fan pulley with bushing	1920-22		70		Iaon	618B	1
3963	Fan drive pulley	1909-20	Steel, lower	30		Hydrant	602	1
3963B	Fan drive pulley	1920-22		20		Hydromel	602B	1
3964	Fan belt	1909-16	23" long	30		Hydrate	609	1
3964C	Fan belt	1917-20	In carton 26" long	30		Impel	609B	1
3964D	Fan belt	1920-22	27" long	30		Idiom	609C	1
3966	Fan shaft	1909-20	7/8" x 4 1/8"	20		Hyper	606	1
3966B	Fan shaft	1920-22		30		Iasius	606B	1
3967	Fan bracket	1909-16		40		Hypo	609	1
3967B	Fan bracket	1917-22		30		Idyl	604B	1
3968	Fan bracket bolt	1909-22	1/2" x 2 3/8"	15		Hyper	605	1
3970	Fan grease cup	1909-22		10		Hyppish	601	1
3973	Fan adjusting screw	1909-22	3/8" x 1 1/2"	03		Groats	645	1
3973B	Fan adjusting screw nut	1909-22	Order 3066B					
3974	Fan driven pulley bushing	1917-20		15		Knag	8757	1
3974B	Fan driven pulley bushing	1920-22		15		Ibhar	8757B	2
3980	Fan pulley plug	1920-22		03		Ibidem	633	1
3981	Fan pulley gasket	1920-22		01		Icarian	634	1
3982	Fan shaft cap	1920-22		02		Icillus	635	1
3983	Fan shaft felt washer	1920-22		02		Iconism	637	1
3984	Fan blade screw	1920-22		01		Ictus	652	4
3985	Fan blade screw washer	1920-22	Order 3261C					
3986	Fan shaft nut	1920-22	Order 2719					

Part No.	Name of Part	Year	Specifications	Price	Tax Status	Code Word	Fac. No.	No. per Car
MUFFLER								
4025	Muffler assembly	1909-20		2 00	MH	Jobal	1200	1
4025B	Muffler assembly	1921-22	Includes 3061 & 4037C	3 00	MH	Jocnsta	1200C	1
4026B	Muffler head—front	1917-20		45		Julep	1202C	1

Of the net amount at which these parts are billed to purchasers who purchase direct from the Ford Motor Company (except parts which show no Tax Status, if any) 20/21 represents the price of the goods and 1/21 represents excise tax.



Insist upon genuine Ford parts

Part No.	Name of Part	Year	Specifications	Price	Tax Status	Code Word	Fac. No.	No. Req. per Car	
MUFFLER—Continued									
4026C	Muffler head—front	1921-22	Pressed steel	50	20	Julian	1202D	1	
4027	Muffler shell—outer	1909-22	5" dia. x 12"	25		Jabin	1203	1	
4028	Muffler shell—middle	1909-22	3 1/2" dia. x 13"	20		Jackal	1204	1	
4029	Muffler shell—inner	1909-20	2" dia. x 14"	15		Jaday	1205	1	
4030	Muffler rod	1909-17	1/2" x 13 1/2"	10		Jadish	1206	3	
4030B	Muffler rod	1917-20		10		Jacose	1206B	1	
4031	Muffler rod nut	1909-20	5/8" x 24 thds. Order 2504F						
4032	Muffler head retainer	1921-22		02		Jole	1210	1	
4033	Muffler head retainer bolt and nut	1921-22	Order 4819B and 3514						
4035	Muffler head bolt washer	1921-22		01		Jovy	5508	1	
4037B	Long exhaust pipe	1909-20		1	75	Jaunty	1214	1	
4037C	Long exhaust pipe	1920-22		2	00	MH	Jazerant	1214B	1
4040B	Muffler head—rear	1917-22		45		Jesuit	1201D	1	
4040C	Muffler head—rear	1921-22	Pressed steel	20		Jeush	1201E	1	
4041	Muffler head to frame bolt and nut	1917-20	Order 2722 & 3066B						
4041B	Muffler head to frame bolt and nut	1921-22	Order 3074 and 2515						

HOOD

4050	Hood	1909-16	22" long	5	00	Jibsam	1300	1	
4050B	Hood	1917-22		5	00	MH	Jllr	8726	1
4051	Hood handle	1909-22	5 1/2" long	05		Jingal	1314	2	
4052	Hood clip	1909-16	3 1/4"	10		Jippo	1310	4	
4052B	Hood clip	1917-22		05		Jowl	8731	4	
4053	Hood clip spring	1909-16		02		Jockey	1311	4	
4053B	Hood clip spring	1917-22		02		Juice	8734	4	
4056	Hood board—left	1909-16	22 3/4" long	25		Johim	1339	1	
4056B	Hood block—left	1917-22		20		Kilt	8742	1	
4057	Hood board—right	1909-16	22 3/4" long	25		Jorum	1340	1	
4057B	Hood block—right	1917-22		20		Kine	8741	1	
4060B	Hood support on dash	1915-16		1	50	Juror	7464	1	
4060C	Hood pad (on dash)	1917-22		10		MH	Kite	8711	2
4060D	Hood pad (on radiator shell)	1917-22		20		MH	Kid	8710	1
4061B	Hood clasp (on dash)	1917-22		05			Kit	8720	1
4061C	Hood clasp (on dash) screw	1917-22		02			Knee	8763	2
4061D	Hood clasp (on dash)	1920-22		05			Kitten	8720B	1
4073	Hood block support—front right	1917-22		05			Knot	8743	1
4074	Hood block support—front left	1917-22		05			Kiln	8744	1
4075	Hood block support—rear right	1917-22		05			King	8745	1
4076	Hood block support—rear left	1917-22		05			Kirk	8746	1

KINGSTON CARBURETOR PARTS

6101A	Carburetor float assb.	1917-21		75		Moslem	6369	1
6101	Float with lever	1915-16		75		Marsh	6351	1
6127A	Gasoline valve	1917-21		35		Moral	6377	1
6115	Spray needle assembly	1910-21		40		Medal	3010	1

Parts for 1909-16 Carburetors supplied by Bryne Kingston Co., Kokomo, Ind.

KINGSTON CARBURETOR (MODEL "L-4")

6150	Carburetor complete	1921-22		6	00	Mason	553A1	1
6155	Float with lever	1921-22		50		Medicate	6369B	1
6161	Spray needle assembly	1921-22	Order 6115					
6175	Gasoline valve	1921-22		35		Mediety	6377B	1

FORD CARBURETOR PARTS (MODEL "G")

4451A	Float with lever	1914-21		50		Muzzle	6333	1
4452A	Spray needle assembly	1914-21		20		Myrtle	6335	1
4453A	Gasoline inlet needle	1914-21		20		Mvstic	6324	1

Parts for 1909-13 Carburetors supplied by Holley Kerosene Carburetor Co., Detroit, Mich.

HOLLEY CARBURETOR (MODEL "NH")

6200	Carburetor complete	1920-22		6	00	Mutably	553A3	1
6201	Float with lever	1920-22		50		Mutage	6333B	1
6213	Spray needle assembly	1920-22		20		Mutiny	6335B	1
6217	Gasoline inlet needle	1920-22	Order 4453A					

(Other carburetor parts required may be ordered by plate numbers; prices quoted on application.)

CARBURETOR ATTACHMENTS

4127A	Carb. adjusting rod bracket	1909-22	On dash	05		Lastage	1357	1	
4129A	Carb. adjusting rod	1909-22		20		Latten	7920	1	
4130	Carb. flange bolt	1909-22	Order 3072						
4130B	Carb. flange bolt nut	1909-22	Order 3066B						
4134	Carb. flange gasket	1909-22		05		MH	Lecturn	1350B	1
4431	Carb. priming rod	1909-22		05		Loach	2000	1	
4582	Carb. hot air pipe	1912-22		20		Monkey	686	1	
4583	Priming bell crank	1919-22	Starter type	15		Tenet	7691	1	
4585	Priming rod plate	1919-20	Coupe starter type	15		Thrum	7664	1	
4586	Priming rod plate	1919-20	Sedan starter type	15		Thrust	7665	1	
4587B	Priming rod	1919-22	Sedan starter type	15		Thule	6628	1	
4588B	Priming rod	1919-22	Coupe, T, C, & Rlt. starter type	15		Thumb	6627	1	
4589	Carburetor priming rod	1919-22	Starter type	05		Thunder	8797B	1	

Of the net amount at which these parts are billed to purchasers who purchase direct from the Ford Motor Company (except parts which show no Tax Status, if any) 20/21 represents the price of the goods and 1/21 represents excise tax.

Insist upon genuine Ford parts

Part No.	Name of Part	Year	Specifications	Price	Tax Status	Code Word	Fac. No.	No. Req. per Car	
FENDERS—56 INCH TREAD									
4800B	Front fender—right	1917-22	All Cars	\$4	25	MH	Nook	7976	1
4801B	Front fender—left	1917-22	All Cars	4	25	MH	Noose	7977	1
4802F	Rear fender—right	1917-22	All Cars	3	75	MH	Norse	8850	1
4803F	Rear fender—left	1917-22	All Cars	3	75	MH	Nougat	8851	1
4804D	Rear fender iron—right and left	1913-22	Touring car	15			Smile	5405	2
4804E	Rear fender iron—right	1913-22	Torpedo & Coupelet	50			Shire	5563	1
4804F	Rear fender iron—left	1913-22	Torpedo & Coupelet	50			Shrub	5390	1
4804G	Rear fender iron—right or left	1916-17		25			Nubble	8154A	2
4804K	Fender iron—right/left	1918-22	Sedan	15			Shoghan	8154B	2
4804L	Rear fender iron	1921-22	Touring	10			Shoppin	7395	2
4805B	Rear fender iron bolt	1915-22	Touring 1/2" x 3/4"	03			Rascal	7171	6
4805C	Rear fender iron bolt nut	1915-22	Order 3645B						
4806B	Fender eye bolt	1909-22		06			Pepsin	1942	4
4806C	Fender eye bolt washer	1909-22		01			Perish	1943	4
4806D	Fender eye bolt nut	1909-22	Order 2825B						
4808	Front fender iron bolt (side)	1910-22	3/8" x 1 1/2"	03			Module	1323	2
4808B	Front fender iron bolt (bottom)	1910-22	3/8" x 1 1/2"	03			Griffin	347	2
4808D	Front fender iron bolt nut	1910-22	Order 2515						
4808C	Front fender apron to frame bolt	1915-22	1/4" x 3/4"	03			Placid	4088	4
4808E	Front fender apron to frame bolt nut	1915-22	Order 3088E						
4809	Front fender iron—right or left	1909-22		60			Sistom	343	2
RUNNING BOARDS AND SHIELDS—56 INCH TREAD									
4812	Running board—right or left	1909-22	44 1/2" long	1	60	MH	Shrew	5418	1
4814C	Running board shield—right	1917-22	All Cars	2	40	MH	Shrine	7986	1
4815C	Running board shield—left	1917-22	All Cars	2	40	MH	Shroud	7987	1
4816	Running board truss rod—front with nuts	1909-22		50		MH	Skybird	5804	1
4817	Running board truss rod—rear with nuts	1909-22		50		MH	Skyman	5805	1
4817B	Truss rod nut	1909-22		03			Skyward	339	4
4818	Running board bracket assembly	1909-22		1	00		Skyhawk	336	4
4818B	Running board bracket assembly	1909-22		1	30		Skyish	2926	2
4819	Run. board to rear fender bolt	1909-20	Order 4805B						
4819B	Run. board to rear fender bolt	1921-22	1/2" x 1 1/4"	03			Rascal	8161	4
4819C	Running board to rear fender nut	1909-22	Order 3088E						
4819D	Run. board to rear fender nut	1909-22	Order 3514						
4820	Running board to front fender bolt and nut	1909-20	Order 4808C and 3088E						
4820C	Running board to front fender bolt	1921-22	Order 4805B						
RUNNING BOARD—TRUCK									
4830	Running board—right or left	1918-22	Old No. 1129	75		MH	Gull	TT-5418	2
4831	Running board bracket	1918-22	Old No. 1130	40			Heck	TT-2926	4
4832	Running board bracket brace	1918-22	Old No. 1131	15			Hedge	TT-2927	2
4833	Running board bracket rear brace	1918-22	Old No. 1132	30			Hedging	TT-2929	1

Of the net amount at which these parts are billed to purchasers who purchase direct from the Ford Motor Company (except parts which show no Tax Status, if any) 20/21 represents the price of the goods and 1/21 represents excise tax.

Insist upon genuine Ford parts

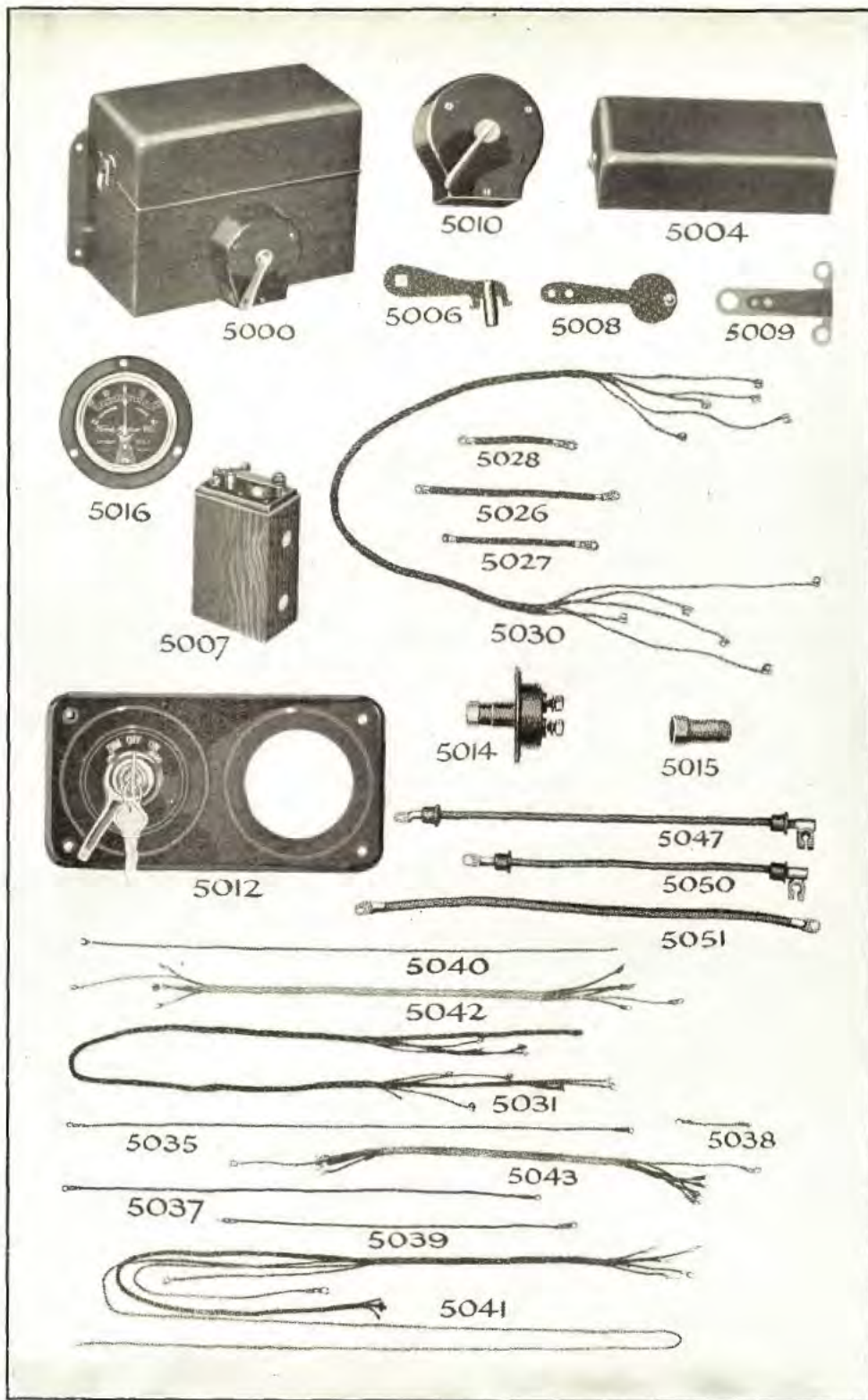


Plate No. 11

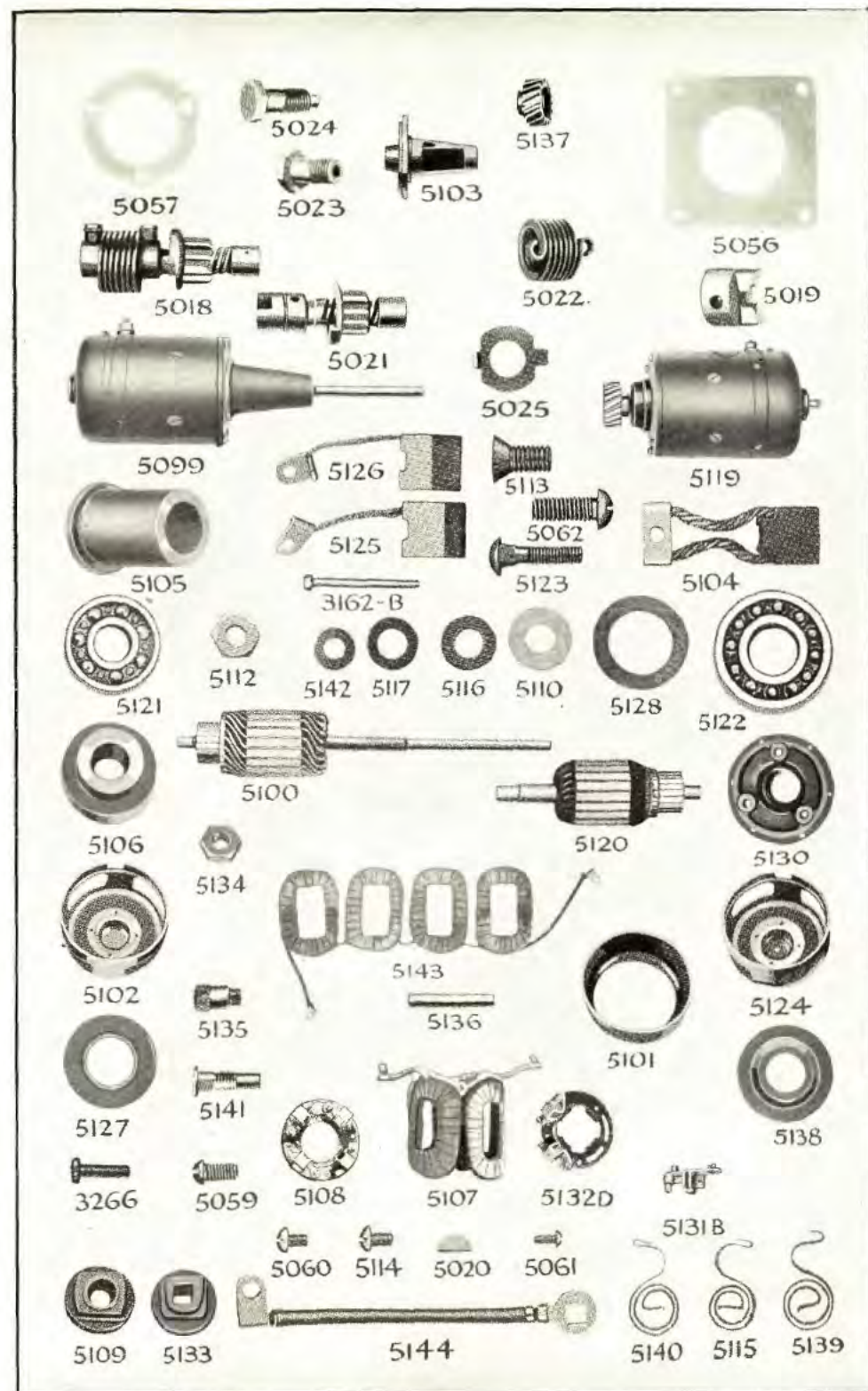


Plate No. 12

Part No.	Name of Part	Year	Price	Tax Status	Code Word	Fac. No.	Req. per Car
FORD SPARK COIL							
5000	Coil (includes switch)	1909-22	\$9 75	MH	Negas	1383	1
5001	Coil (starter type)—less switch	1909-22	9 00		Neil	1383B	1
5002	Coil box with cover (includes switch)	1914-22	2 75	MH	Nenia	5858	1
5003	Coil box with cover (starter type)—less switch	1919-22	2 00	MH	Nepta	5858B	1
5004	Coil box cover	1914-22	30		Neptune	7910	1
5005	Switch cover	1914-22	10		Nones	5835	1
5005B	Switch cover	1918-22	10		Nonage	5835B	1
5006	Switch plug	1914-22	05		Nopal	5815	1
5007	Coil unit, 3 1/2" x 2 1/4" x 5"	1914-22	1 75	MH	Noggin	5845	4
5008	Vibrator with tungsten point	1914-22	07		Nonce	6797	4
5009	Vibrator bridge with tungsten point	1914-22	10		Novia	6702	4
SWITCH							
5010	Switch assembly (on coil)	1914-22	75		Nidor	5873	1
5012	Switch (ignition) (starter type on instrument board)	1919-22	1 30		Tolad	7675E	1
5013B	Keys (switch)—give serial number	1919-22	10		Thrall	5815C	1
5014	Starting switch (on floor board)	1919-22	75		Topaz	8792	1
5014B	Starting switch bracket bolt—long	1920-22	03		Toparch	8760	1
5015	Extension (starting switch plunger)	1919-22	10		Tetric	8793	1
AMMETER							
5016	Ammeter	1919-22	1 10		Tassel	7680	1
5017	Ammeter lens and rim	1919-22	25		Tensor	8105	1
5017B	Ammeter lens	1919-22	05		Tensure	8121	1
BENDIX DRIVE							
5018	Bendix	1919-22	5 00		Tattler	1883	1
5019	Head (Bendix)	1919-22	50		Thine	2007	1
5020	Key (Bendix)	1919-22	02		Tholl	1751	1
5021	Shaft and gear (Bendix)	1919-22	4 50		Thurl	2026	1
5022	Spring (Bendix)	1919-22	60		Tinge	2006	1
5023	Screw (Bendix shaft spring)	1919-22	10		Tinsel	1983	1
5024	Screw (Bendix head spring)	1919-22	05		Tipple	1781	1
5025	Washer (Bendix spring screw lock)	1919-22	03		Tipsy	1782	2
WIRING							
5026	Spark plug wire 14 1/2" No. 1 cyl.	1909-22	10	MH	Nobob	1365	1
5027	Spark plug wire (also magneto to coil) 10 1/2" No. 2 cyl.	1909-22	10	MH	Nachor	1366	1
5028	Spark plug wire, 7' No. 3 and 4 cyls.	1909-22	10	MH	Nalad	1376	2
5029	Spark plug wire terminal	1909-22	01		Nailer	1381	8
5030	COMMUTATOR WIRE (non starter type)	1909-22	60	MH	Nandu	7502	1
5031	Commutator wire (starter type)	1919-22	90	MH	Trife	7502B	1
5032	Com. wire terminal (coil end)	1909-22	01		Napher	1385	4
5033	Com. wire loom support	1909-22	03		Napple	1390	2
5033B	Commutator wire terminal retainer	1921-22	02		Nappy	2124	2
5033C	Wire on dash clip	1919-22	02		Naptha	7688	7
5034	Wire (ammeter to cut-out) Sedan 33"	1919	15	MH	Topic	7683	1
5035	Wire (ammeter to cut-out) Sedan 49"	1919-22	20	MH	Topmast	7683B	1
5036	Wire (ammeter to cut-out) Coupe 23"	1919	15	MH	Torch	7684	1
5037	Wire (ammeter to cut-out) Coupe 41"	1919-22	20	MH	Rabid	7684B	1
5038	Wire (ammeter to ignition switch)	1919-22	10	MH	Torpid	7681	1
5039	Wire (generator to cut-out)	1919	15	MH	Trash	7687	1
5040	Wire (terminal block to switch)	1919-22	05	MH	Trench	8894B	1
5041	Wire (lighting)	1919-22	80	MH	Tromp	7682B	1
5041B	Lighting wire—truck	1921-22	1 00	MH	Tronage	7682	1
5042	Wire (switch) Sedan	1919-22	60	MH	Troth	7685B	1
5043	Wire (switch) Coupe	1919-22	60	MH	Truce	7686B	1
5044	Block (terminal)	1919-22	05		Teller	1950	1
5045	Screw (terminal block to dash)	1919-22	01		Tocsin	2073	2
5046	Cable (battery to switch) 28 1/2"	1919-22	80	MH	Tepor	1889B	1
5046C	Battery to switch cable—truck	1921-22	80	MH	Teraph	1889	1
5047	Cable (battery to switch) 34"	1920	85	MH	Pantry	1889C	1
5047B	Battery to switch cable support—truck	1920-22	10		Teredo	2116	1
5047C	Battery to switch cable support	1920-22	10		Tereite	2112	1
5047D	Battery to switch cable support bush	1920-22	05		Tereus	2113	1
5047E	Battery to switch cable sleeve	1921-22	05		Tergum	2120	1
5048	Cable (ground) 20"	1919	70	MH	Terse	1890	1
5049	Cable (ground) 9 3/4"	1919-22	50	MH	Testa	1890B	1
5050	Cable (ground) 11 1/2"	1920	60	MH	Parish	1890C	1
5051	Cable (switch to motor)	1919-22	65	MH	Tether	1891	1
5051B	Switch to motor cable sleeve	1921-22	30		Tettish	2119	1
5052	Bolt (battery cable terminal)	1919-22	04		Pelvis	1937	2
5052B	Nut (battery cable term. bolt) Used on 5052	1919-22	03		Pennon	1938	2

Part No.	Name of Part	Year	Price	Tax Status	Code Word	Fac. No.	Req. per Car
CUT-OUTS							
5054	Cut-out (electric) (dash type)	1919	1 10		Tenant	7677	1
5055	Cut-out (electric)	1919-22	1 10		Tendril	7677B	1

Part No.	Name of Part	Year	Price	Tax Status	Code Word	Fac. No.	Req. per Car
STARTER PARTS							
5056	Gasket (motor mounting)	1919-22	02		Theme	1768	1
5057	Gasket (gen. head)	1919-22	02		Thane	1774	1
5058	Screw (gen. mounting, short)	1919-22	03		Thrack	1755	1
5059	Screw (Bendix cover)	1919-22	01		Thrave	1765	1
5060	Screw (term. block to wire)	1919-22	01		Thwack	2015	1
5061	Screw (ammeter to plate)	1919-22	01		Thwart	5819	1
5062	Screw (motor mounting)	1919-22	02		Thymet	1760	1

Of the net amount at which these parts are billed to purchasers who purchase direct from the Ford Motor Company (except parts which show no Tax Status, if any) 20/21 represents the price of the goods and 1/21 represents excise tax.

Part No.	Name of Part	Year	Price	Tax Status	Code Word	Fac. No.	Req. per Car
STARTING MOTOR AND PARTS							
5099	Motor (starting)	1919-22	\$16 00	MH	Tidbit	1877	1
5100	Armature	1919-22	6 00		Tabid	1940	1
5101	Band (cover)	1919-22	10		Tallage	1801C	1
5102	Bracket (brush end)	1919-22	50		Talmen	1868	1
5103	Bracket assem. (mounting)	1919-22	1 60		Tawny	2037	1
5104	Brush	1919-22	30		Tanvat	1806	1
5105	Bushing (shaft, rear)	1919-22	30		Tapnet	1759	1
5106	Bushing (shaft, front)	1919-22	15		Tapster	1789	1
5107	Coil assembly (field)	1919-22	2 00		Targum	1871	1
5108	Holder assem. (brush)	1919-22	60		Talpa	1864B	1
5109	Insulator (terminal, outer)	1919-22	03		Talus	1795	1
5110	Insulator (terminal, inner)	1919-22	02		Tambac	1794	1
5112	Nut (terminal)	1919-22	03		Tambour	1791	1
5113	Screw (field)	1919-22	02		Tamis	1788	1
5114	Screw (brush end bracket to yoke)	1919-22	05 doz.		Tamkin	1808	1
5115	Spring (brush tension)	1919-22	05		Tampon	1809	1
5116	Washer (terminal)	1919-22	02		Tarras	1792	1
5117	Washer (terminal, inner, steel)	1919-22	02		Tarsic	1798	1
5118	Yoke (motor) assembly	1919-22	5 00		Tartly	1852	1

Part No.	Name of Part	Year	Price	Tax Status	Code Word	Fac. No.	Req. per Car
GENERATOR AND PARTS							
5119	Generator	1919-22	16 00	MH	Tetter	1879	1
5120	Armature (less bearings)	1919-22	6 00		Tanling	1925	1
5121	Bearing (small)	1919-22	1 20		Tannic	1838	1
5122	Bearing (large)	1919-22	1 45		Tantrum	1841	1
5123	Bolt (terminal)	1919-22	03		Tegmen	1836	1
5124	Bracket (brush end)	1919-22	40		Telary	1894	1
5125	Brush (large)	1919-22	20		Tempean	1844	1
5126	Brush (small)	1919-22	20		Tempter	1845	1
5127	Disc (large bearing)	1919-22	03		Tendry	1847	1
5128	Felt (small bearing)	1919-22	03		Tenter	2033	1
5130	Head	1919-22	50		Tercel	2044	1
5131B	Holder (small brush)	1919-22	15		Teromor	1821	1
5132B	Ring (brush holder)	1919-22	05		Terrapin	1996	1
5132C	Holder assem. (brush)	1919-22	60		Ternary	1865	1
5132D	Holder assem. (brush) less small brush holder	1919-22	45		Ternate	1920	1
5133	Insulator (terminal, outer)	1919-22	03		Terras	1827	1
5134	Nut (terminal)	1919-22	03		Tiling	1818	1
5134B	Nut (small brush holder stud)	1919-22	01		Tilmsu	6754	1
5135	Oiler	1919-22	10		Testern	1837	1
5136	Pin (pinion to shaft)	1919-22	05 doz.		Testudo	1750	1
5137	Pinion	1919-22	40		Throng	1752	1
5138	Retainer (small bearing felt)	1919-22	02		Theban	1832	1
5139	Spring (large brush)	1919-22	05		Theist	1967	1
5140	Spring (small brush)	1919-22	05		Thomis	1988	1
5141	Stud (small brush holder)	1919-20	05		Theon	1823B	1
5141B	Stud (small brush holder)	1919-22	02		Theoric	1823C	1
5142	Washer (terminal)	1919-22	02 doz.		Thermal	1831	1
5142B	Washer (small brush holder stud)	1919-22	05 doz.		Phrase	2058	1
5143	Winding assembly (field)	1919-22	1 50		Tholus	1978	1
5144	Wire (brush to terminal)	1919-22	08		Thorp	1851	1
5145	Yoke (generator) assembly	1919-22	4 00		Thorite	1887	1

Part No.	Name of Part	Year	Price	Tax Status	Code Word	Fac. No.	Req. per Car
BATTERY BRACKET AND PARTS							
5150	Bracket assem.	1919-22	90		Tattoo	8841	1
5151	Bolt (clamp)	1919-22	03		Rustic	8846	1
5151B	Nut (clamp bolt) Order 2825B	1919-22	03				1
5152	Nut (terminal)	1919-22	05		Tetrad	8844	1
5152B	Battery clamp—truck	1921-22	05		Thecal	8844B	2
5153	Battery support angle—truck	1921-22	10		Theine	TT8816	1
5154	Battery box support—truck	1921-22	20		Thenal	TT8817	2
5155	Battery clamp support—R—truck	1921-22	05		Theodas	TT8818	1
5156	Battery clamp support—L—truck	1921-22	05		Theorbo	TT8819	1
5158	Battery box—less cover	1921-22	50		Twaite	7671	1
5159	Battery box cover assem.	1921-22	25		Twangle	5491	1

Part No.	Name of Part	Year	Price	Tax Status	Code Word	Fac. No.	Req. per Car
BATTERY (FORD)							
5175	Battery	1919-22	25 00	MH	Twain	7670	1

Part No.	Name of Part	Year	Price	Tax Status
----------	--------------	------	-------	------------

Part No.	Name of Part	Year	Specifications	Price	Tax Status	Code Word	Fac. No.	No. per Car
REPAIR TOOLS								
1349	Hub cap wrench		Regular equipment	\$ 0	20	Pacal	1349	
1387	Adjustable wrench		Regular equipment	50		Pacos	1387	
1903	Pliers		Regular equipment	25		Paddy	1903	
1917	Double end wrench		Regular equipment	20		Pagan	1917	
2335	Spark plug and cyl. head bolt wrench		Regular equipment	50		Pavid	5893	
2336	Tool roll		Regular equipment	30		Pawky	1979	
2337	Oil can		Regular equipment	30		Paxos	1384	
2338	Tire pump		Regular equipment	1	75	Paysor	1368	
2340	Tire irons, each		Regular equipment	15		Pelage	4069	
2343	Jack		Regular equipment	1	50	Poser	3389	
3Z-619	Crank shaft bearing bolt wrench			50		Pelox		
	Cylinder water outlet connecting screw brace wrench							
3Z-698	Brake shoe support bolt brace wrench			45		Pusil		
	D/S bearing housing screw brace wrench							
5Z-152	Rear axle housing bolt nut wrench		Old No. 3Z-616	40		Parvis		
5Z-153	Socket wrench for crank shaft bearing bolt nut		Old No. 3Z-644	60		Passim		
5Z-154	Body bracket connecting bolt R. & L. wrench		Old No. 3Z-719	40		Proverb		
5Z-155	3/8" L socket wrench		Old No. 3Z-615 and 3Z-775	45		Pastel		
5Z-156	Crank shaft bearing bolt wrench		Old No. 3Z-782	50		Poloy		
5Z-157	Connecting rod cap bolt nut L wrench		(Cylinder No. 4) Old No. 3Z-2010	40		Quack		
5Z-158	Drive shaft housing stud nut wrench for 1/2" nut		Old No. 3Z-620	50		Parent		
5Z-159	Connecting rod T wrench		Old No. 3Z-783	75		Pygmy		
5Z-160	3/8" T socket wrench		Old No. 3Z-643	75		Parfit		
5Z-161	Body bracket connecting bolt T wrench, front and center		Old No. 3Z-673	65		Prater		
5Z-162	Large cam gear lock nut wrench		Old No. 3Z-655	55		Pavan		
5Z-163	Generator third brush adjusting wrench		Old No. 3Z-4137	25		Quaver		
5Z-165	Drive shaft pinion T wrench		Old No. 3Z-790	70		Puzzle		
5Z-193	Spindle cone adjusting open end wrench		Old No. 3Z-099	30		Profile		
5Z-195	3/4" open end wrench		Old No. 3Z-646	30		Pastor		
5Z-196	Rear axle entering wrench		Old No. 3Z-627	40		Potion		
5Z-204	Exhaust pack nut open end wrench		Old No. 3Z-624	1	00	Potash		
5Z-206	Rear axle nut open end wrench		Old No. 3Z-675	70		Porite		
5Z-209	Connecting rod clamp screw wrench		Old No. 3Z-647	45		Parrot		
5Z-210	Fly wheel cap screw wrench		Old No. 3Z-1179	75		Palmy		
5Z-212	Body bracket connecting bolt holding open end wrench		Old No. 3Z-686	30		Preen		
5Z-232	Spindle arm bushing driver		Old No. 3Z-1956	40		Quincy		
5Z-249	Generator third brush adjusting wrench		New Style	25		Quatch		
5Z-280	Valve grinder		Old No. 3Z-604	75		Palster		
5Z-285	3/4" hex. brace wrench		Old Nos. 3Z-698 and 3Z-786	75		Prince		
5Z-286	Rear axle nut and housing plug brace wrench		Old No. 3Z-751	80		Pulpit		
5Z-287	Rear wheel puller assembly		Old No. 3Z-612	1	25	Panary		
5Z-289	3/8" brace socket wrench		Old No. 3Z-1173 and 3Z-1223B	85		Parsec		
5Z-290	Piston ring squeezer		Old No. 3Z-652	30		Patile		
5Z-313	Fixture for assembling roller bearing cups		Old No. 3Z-2316	8	00	Quaffer		
5Z-314	Transmission clutch disc drum puller		Old No. 3Z-614	1	00	Papaw		
5Z-319	Valve spring lifter		Old No. 3Z-4730	40		Palpus		
5Z-322	Tire iron (large)		Old No. 3Z-708	1	50	Pathos		
5Z-323	Bendix shaft head puller		Old No. 3Z-4712	1	25	Queach		
5Z-324	Trans. band ratchet wrench		Old No. 3Z-2034	50		Poplin		
5Z-325	Connecting rod cap bolt nut brace wrench with universal joint for No. 4 connecting rod		Old No. 3Z-2304	2	50	Quadra		
5Z-326	Small time gear and trans. driven gear puller		Old No. 3Z-611	1	50	Pantile		
16Z-4992	Large time gear puller			1	00	Queasy		
20Z-340	Valve seat reamer		Old No. 3Z-617-1	2	00	Papula		
20Z-340-1	Valve seat reamer cutter		Old No. 3Z-617-2	1	25	Papur		
21Z-356	Valve seat reamer handle		Old No. 3Z-617-3	75		Pasha		

REPAIR TOOLS—TRUCK

5Z-288	Rear wheel puller assembly		Old No. 3Z-2257	1	50	Hock		
3389X	Jack			3	00	Hog		

COTTER PINS

	Fac. No.		Fac. No.
1/8" x 1" cotter pins	421	3/8" x 1/2" cotter pins	66
3/16" x 3/4" cotter pins	753	1/2" x 1/2" cotter pins	544
1/4" x 1" cotter pins	82	3/8" x 5/8" cotter pins	88
Price, per dozen			\$0 05
Price, per gross			25
Price, per thousand			75

Part No.	Name of Part	Make	Year	Code	Price	Tax Status
----------	--------------	------	------	------	-------	------------

ELECTRIC HORN

6432X	Electric horn complete			Ulcer	\$ 2	50
7915X	Electric horn terminal wire 9"			Ulna	05	MH
7917BX	Electric horn to switch wire 35 3/4"			Ultra	15	MH
8028X	Horn switch assembly			Valiant	30	MH

ELECTRIC HEAD LAMPS (STANDARD 1915-22)

6511BX	Head lamp assembly—used with dimmer on magneto current (when used on magneto current without dimmer use T 6572X bulb) per pair			Unific	7	00
				Unport	7	00
				Unalist	7	00
				Unbias	7	00
6511CX	Head lamp assembly—two bulb type—per pair			Union	55	
6511DX	Head lamp assembly—with "Tu-Lite" frosted bulb—per pair			Unitor	65	
6511EX	Head lamp assembly—with "Tu-Lite" clear bulb—per pair			Ural	35	
6594X	Head lamp door assembly—used with 6511DX			Urith	40	MH
6594BX	Head lamp door assembly—with green visor lens			Urbox	70	MH
6589X	Head lamp switch assembly—with screws			Urgia	55	
8650X	Head lamp and horn switch assembly			Uriel	55	
8892X	Dimmer resistance coil with wires			Urchin	05	
6572DX	Head lamp bulb "Tu-Lite" double filament—frosted			Urn	15	
6572EX	Head lamp bulb "Tu-Lite" double filament—clear			Uredo	25	
6578X	Head lamp door lens gasket			Urus	15	
6576X	Head lamp door lens—8 1/2"—used with 6511DX			Urva	75	
6576BX	Head lamp door lens—8 1/2"—with green visor			Urbo	75	
6592X	Head lamp plug—with thimble			Utas	05	
6585X	Head lamp reflector			Ute	03	
6585BX	Head lamp reflector (dimmer type)			Vagrant	15	
6580X	Head lamp focusing screw			Vaisya	15	
6591X	Head lamp focusing screw spring			Vail	05	
6574X	Head lamp bulb socket			Valse	05	MH
6574BX	Head lamp plug socket			Vallum	15	MH
6586X	Head lamp reflector spring			Vamp	05	MH
7487X	Switch to terminal wire—11 3/4" long			Valvate	03	
7489X	Lamp to lamp wire—40" long			Valvule	01	
7490X	Lamp to ground wire—10 3/4" long					
2122X	Head lamp wire bushing					
4082X	Head lamp and tail lamp wire bushing					

SIDE OIL AND TAIL LAMPS—1915-22

6561X	Side oil lamp, per pair			Van	4	50
6568X	Tail lamp			Vandal	2	50
7669X	Electric tail lamp assembly			Vanquish	1	00
6484BX	Electric tail lamp red lens			Vales	15	
6495X	Electric tail lamp bulb socket			Valgus	20	
2107X	Tail lamp wire clip			Vanessa	01	
2108X	Tail lamp wire spring			Vanfoss	03	
6409X	Tail lamp wire bushing assemb.			Vanglo	03	
6410X	Tail lamp wire bushing support			Vanilla	01	
T18821X	Tail lamp to ground wire assemb.			Vanity	15	MH
6599X	Side oil and tail lamp fount.			Vane	50	
6956X	Side oil lamp door			Vanish	50	
6957X	Tail lamp door			Vapid	30	
6966X	Tail lamp white lens and frame			Vapor	20	
6460X	Lamp burner including wick			Varlx	30	
6483X	Side oil lamp door lens			Vat	15	
6392X	Lamp wick			Vega	05	

TOURING CAR AND TORPEDO WINDSHIELDS—1915-22

7840X	Windshield assembly, less brackets, bolts, nuts and washers			Vender	13	50
				Vent	40	
7818BX	Windshield hinge assembly—right		1917-22	Verb	40	
7819BX	Windshield hinge assembly—left		1917-22	Verge	1	50
7820AX	Windshield upper frame assembly		1915-16	Vermin	1	50
7820BX	Windshield frame assembly—upper		1917-22	Verse	6	50
7822AX	Windshield upper half assembly		1915-16	Verst	6	50
7822BX	Windshield upper half assembly		1917-22	Vortex	7	00
7823X	Windshield lower half assembly		1915-22	Venge	1	00
7802X	Windshield lower frame only		1915-22	Verve	20	
7803X	Windshield lower frame filler block		1915-22	Vervet	15	
7839X	Windshield frame filler block		1915-16	Vesper	15	
7888X	Windshield block (frame filler)—upper		1917-22	Vespid	05	
7810X	Windshield hinge bolt		1915-16	Vestal	60	
7845X	Windshield bracket—right		1915-22	Vestado	50	
7845BX	Windshield bracket—right		1919-22	Vestry	60	
7846X	Windshield bracket—left		1915-22	Vexil	50	
7846BX	Windshield bracket—left		1919-22	Veto	02	
7824X	Windshield glass clamp		1915-22	Vial	75	
7801X	Windshield frame—upper		1915-16	Vicar	75	
7887X	Windshield frame—upper		1917-22			

Order 7845X-7846X extra for 1915-16 cars.

Of the net amount at which these parts are billed to purchasers who purchase direct from the Ford Motor Company (except parts which show no Tax Status, if any) 20/21 represents the price of the goods and 1/21 represents excise tax.

Part No.	Name of Part	Make	Year	Code	Price	Tax Status
----------	--------------	------	------	------	-------	------------

TOURING CAR AND TORPEDO WINDSHIELDS—1915-22—Continued

3827X	Windshield top snap loop		1915-22	Vine	\$ 0 05	
1154X	Windshield hinge bolt nut		1915-22	Vintage	03	
2449BX	Windshield glass clamp screw		1915-22	Viol	01	
2257BX	Windshield hinge to frame screw		1915-22	Virent	02	
292X	Windshield hinge spring (Order T2742)					
7851X	Windshield upper glass stop—nickel		1915-22	Vise	25	
7852X	Windshield lower glass stop—nickel		1915-22	Vitals	25	
7808X	Windshield hinge thimble		1915-22	Vitex	05	

TOURING CAR TOPS—1915-22

7940X	Touring car top complete		1915-22	Warm		MH
6882X	Touring car storm curtain (R. H.)		1915-22	Warp	2 00	MH
6883X	Touring car storm curtain (L. H.)		1915-22	Warren	2 00	MH
4966BX	Touring car side curtain (R. H.)		1915-22	Warr	2 50	MH
4967BX	Touring car side curtain (L. H.)		1915-22	Wash	2 50	MH
6894X	Touring car center deck complete		1915-22	Wasp	7 50	MH
6886X	Touring car center deck only 91 1/2" x 50"		1915-22	Waste	4 50	
8913X	Touring car side quarter (R. H.)		1915-22	Watch	1 50	
8914X	Touring car side quarter (L. H.)		1915-22	Water	1 50	
6815X	Touring car side quarter pad		1915-22	Watt	1 00	
6940X	Touring car back stay and curtain assembly		1915-22	Wax	3 00	MH
3897X	Touring car wood bow		1913-17	Weapon	75	
8973X	Touring car front and rear extension rib		1918-22	Yawn	40	
8974X	Touring car front and rear upright rib		1918-22	Yell	40	
4596X	Touring car bow separator—male		1913-17	Wedge	05	
4597X	Touring car bow separator—female		1913-17	Weed	05	
6832X	Touring car bow separator		1918-22	Whelp	05	
6860AX	Touring car front extension bow socket (R. H.)		1915-17	Weep	1 00	
6860BX	Touring car front extension rib socket (R. H.)		1918-22	Wealth	1 00	
6861AX	Touring car front extension bow socket (L. H.)		1915-17	Weir	1 00	
6861BX	Touring car front extension rib socket (L. H.)		1918-22	Weary	1 00	
3884AX	Touring car rear extension bow socket (R. H.)		1913-17	Weld	1 00	
3884BX	Touring car rear extension rib socket (R. H.)		1918-22	Wedding	1 00	
3885AX	Touring car rear extension bow socket (L. H.)		1913-17	Welkin	1 00	
3885BX	Touring car rear extension rib socket (L. H.)		1918-22	Welt	1 00	
6862AX	Touring car front upright bow socket (R. H.)		1915-17	Well	1 00	
6862BX	Touring car front upright rib socket (R. H.)		1918-22	Whig	1 00	
6863AX	Touring car front upright bow socket (L. H.)		1915-17	Welsh	1 00	
6863BX	Touring car front upright rib socket (L. H.)		1918-22	Whilk	1 00	
3882AX	Touring car rear upright bow socket (R. H.)		1913-17	West	1 00	
3882BX	Touring car rear upright rib socket (R. H.)		1918-22	Yauk	1 00	
3883AX	Touring car rear upright bow socket (L. H.)		1913-17	Wether	1 00	
3883BX	Touring car rear upright rib socket (L. H.)		1918-22	Yawl	1 00	
7831X	Curtain to windshield hook		1915-22	Whame	03	
7832X	Curtain to body hook		1915-22	Whaul	03	
6837X	Touring car key strap assembly		1913-18	Whale	05	
8992X	Rib socket cotter		1918-22	Wheeze	05	
3924X	Touring car top to windshield strap assembly		1915-22	Wharf	25	
3629X	Touring car rear stay strap assembly complete		1913-22	Wheat	40	
6925X	Touring car curtain to windshield strap assembly		1915-19	Whine	10	
6926X	Touring car curtain to lamp bracket strap assembly		1915-19	Whip	10	
3754X	Touring car curtain glove fastener assembly		1913-22	Whist	05	
6829AX	Touring car duquesne clip—upper		1914-17	Whoop	05	
6829BX	Touring car extension support—upper		1918-22	Yelk	10	
6830AX	Touring car duquesne clip—lower		1914-17	Wick	05	
6830BX	Touring car extension support—lower		1918-22	Yeoman	05	
8937X	Touring car top snap fastener—single		1917-22	Wig	05	
8938X	Touring car top snap fastener—double		1917-22	Willow	05	
3314X	Touring car top prop rest with strap		1913-22	Wind	60	
3858X	Touring car top prop rest arm		1913-22	Wine	25	
3624X	Touring car bow socket to seat iron japanned nut		1913-22	Wing	05	
3383X	Curtain celluloid 20" x 36"—.015 thick		1913-22	Wink	1 60	
3383X	Curtain celluloid 10" x 18"—.015 thick		1913-22	Winter	40	
4981X	Touring car top visor		1920-22	Wizen	50	

†† Inquire of Branch or Dealer for price.

Of the net amount at which these parts are billed to purchasers who purchase direct from the Ford Motor Company (except parts which show no Tax Status, if any) 20/21 represents the price of the goods and 1/21 represents excise tax.



Plate No. 13

Insist upon genuine Ford parts

Part No.	Name of Part	Make	Year	Code	Price	Tax Status
TORPEDO TOP PARTS—1915-22						
††7941X	Torpedo top complete		1915-22	Wisdom		MH
4971X	Torpedo top—second and third wood bows		1914-18	Wish	\$ 0	50
6929X	Torpedo top—first bow		1915-18	Wisp	50	
8772X	Rib—upright		1918-22	Wenny	40	
8988X	Rib—front extension		1918-22	Wept	40	
8989X	Rib—rear extension		1918-22	Westing	40	
6870X	Torpedo top bow socket—upright—(R. H.)		1915-18	Witch	1	35
6870BX	Torpedo top rib socket—upright—(R. H.)		1918-22	Whaling	1	25
6871X	Torpedo top bow socket—upright—(L. H.)		1915-18	Withe	1	25
6871BX	Torpedo top rib socket—upright—(L. H.)		1918-22	Wheedle	1	25
6872X	Torpedo top bow socket—front extension—(R. H.)		1915-18	Wizard	1	00
6872BX	Torpedo top rib socket—front extension—(R. H.)		1918-22	Whelm	80	
6873X	Torpedo top bow socket—front extension—(L. H.)		1915-18	Witness	1	00
6873BX	Torpedo top rib socket—front extension—(L. H.)		1918-22	Wherry	80	
4907X	Torpedo top bow socket—rear extension—(R. H.)		1913-18	Wolf	1	00
4907BX	Torpedo top rib socket—rear extension—(R. H.)		1918-22	Whesit	1	00
4908X	Torpedo top bow socket—rear extension—(L. H.)		1913-18	Woman	1	00
4908BX	Torpedo top rib socket—rear extension—(L. H.)		1918-22	Whewer	1	00
6937X	Torpedo top side curtain—rear—(R. H.)		1915-22	Wood	1	50
6938X	Torpedo top side curtain—rear—(L. H.)		1915-22	Word	1	50
6935X	Torpedo top side curtain—front—(R. H.)		1915-22	Work	2	00
6936X	Torpedo top side curtain—front—(L. H.)		1915-22	World	2	00
6950X	Torpedo top back curtain assembly		1915-22	Worm	2	50
6965X	Torpedo top center deck complete		1915-22	Worry	4	50
6964X	Torpedo top deck only		1915-22	Wrap	2	50
6962X	Torpedo top side quarter—(R. H.)		1915-22	Wreck	1	00
6963X	Torpedo top side quarter—(L. H.)		1915-22	Wren	1	00
6806X	Torpedo top side quarter pad		1914-22	Wrist	60	
3877X	Torpedo top prop rest with strap		1913-22	Yam	60	
4955X	Torpedo top visor		1920-22	Yamper	50	

††Inquire of Branch or Dealer for price.

Of the net amount at which these parts are billed to purchasers who purchase direct from the Ford Motor Company (except parts which show no Tax Status, if any) 20/21 represents the price of the goods and 1/21 represents excise tax.

Price List of Parts for Model T One Ton Truck

Part No.	Name of Part	Year	Price	Tax Status	Code	Word	Model	Fac. No.	Req.	
									No. per Car	
REAR AXLE										
1000	Rear axle assembly	1918-22	\$200	00	MH	Abed	TT	95	1	
1001	Axle housing—right	1918-22	20	00	MH	Abyss	TT	4	1	
1002	Axle housing—left	1918-22	20	00	MH	Acme	TT	5	1	
1003	Axle housing bolt	1918-22	03			Avail	TT	52	13	
1003B	Axle housing bolt nut. Order 2719	1918-22								
1004	Axle housing cap	1918-22	50	MH	Actor	TT	133	1	1	
1005	Axle housing cap gasket	1918-22	02			Acute	TT	134	1	
1006	Axle housing cap screw	1918-22	05			Adder	TT	72	4	
1007	Axle housing cap screw lock wire	1918-22	01			Addle	TT	140	1	
1008	Axle housing gasket—upper	1918-22	02			Agate	TT	138	1	
1009	Axle housing gasket—lower	1918-22	06			Agast	TT	139	1	
1010	Axle brake housing plate—right	1918-22	50	MH	Agile	TT	147	1	1	
1011	Axle brake housing plate—left	1918-22	50	MH	Akin	TT	148	1	1	
1012	Axle housing drain plug	1918-22	05			Alder	TT	136	2	
1013	Axle shaft	1918-22	5	50	MH	Alex	TT	48	2	
1014	Axle shaft cotter	1918-22	dz.05			Alma	TT	165	2	
1015	Axle shaft nut	1918-22	15			Aloe	TT	166	2	
1016	Axle shaft washer	1918-22	03			Aloft	TT	135	2	
1017	Axle shaft dust cap	1918-22	03			Alpha	TT	56	2	
1018	Axle shaft inner ball bearing assembly	1918-22	6	50		Alpine	TT	125	2	
1019	Axle shaft outer roller bearing	1918-22	1	75		Archer	TT	171	2	
1020	Axle shaft outer roller bearing sleeve	1918-22	60			Arona	TT	170	2	
1021	Axle shaft bearing felt	1918-22	10			Argue	TT	143	4	
1022	Axle shaft bearing retainer	1918-22	05			Ark	TT	20	2	
1023	Axle shaft bearing retainer washer	1918-22	03			Arson	TT	23	2	
1024	Axle shaft felt retainer assembly	1918-22	10			Astral	TT	144	2	
1025	Axle shaft felt retainer cup	1918-22	03			Atwist	TT	145	2	
1026	Axle shaft felt retainer plate	1918-22	03			Atoll	TT	146	2	
1027	Diff. gear	1918-22	1	50	MH	Aura	TT	13	2	
1028	Diff. gear case R. or L. half	1918-22	2	50	MH	Author	TT	11	2	
1029	Diff. gear case bolt	1918-22	03			Avail	TT	52	8	
1031	Diff. gear lock ring	1918-22	02			Avoke	TT	118	2	
1032	Diff. pinion	1918-22	80	MH	Awake	TT	14	2	2	
1033	Diff. pinion shaft	1918-22	20			Awry	TT	15	1	
1034	Drive shaft	1918-22	10	00	MH	Bait	TT	87	1	
1036	D. S. tube assembly	1918-22	15	00	MH	Balm	TT	153	1	
1037	D. S. tube flange gasket	1918-22	02			Bandit	TT	194	1	
1038	D. S. tube flange screw. Order 1006	1918-22								
1039	D. S. felt	1918-22	05			Basil	TT	109	1	
1040	D. S. felt container	1918-22	03			Beaver	TT	110	1	
1041	D. S. to worm coupling	1918-19	1	00		Behind	TT	85	1	
1041B	D. S. to worm coupling	1920-22	1	00		Bhang	TT	85B	1	
1042	D. S. to worm coupling pin	1918-22	01			Behold	TT	86	2	
1043	Worm	1918-22	15	00	MH	Berg	TT	16	1	
1043B	Worm—5 1/4 to 1	1918-22	15	00	MH	Bernese	TT	16B	1	
1044	Worm gear	1918-22	16	00	MH	Bible	TT	12	1	
1044B	Worm gear—5 1/4 to 1	1918-22	16	00	MH	Bifilar	TT	12B	1	
1045	Worm cotter. Order 1014	1918-22								
1046	Worm roller bearing	1918-22	1	30		Bight	TT	108	2	
1047	Worm roller bearing retainer	1918-22	02			Bigot	TT	106	1	
1048	Worm roller bearing sleeve	1918-22	2	00		Bilog	TT	107	2	
1049	Worm roller bearing housing screw	1918-22	05			Birch	TT	101	2	
1050	Worm thrust bearing collar	1918-22	1	00		Bird	TT	114	2	
1051	Worm thrust ball and separator assembly	1918-22	1	25		Bitter	TT	123	1	
1052	Worm thrust bearing plate	1918-22	15			Blaze	TT	22	1	
1053	Worm thrust bearing retainer	1918-22	25			Bleach	TT	111	1	
1054	Worm thrust bearing retainer nut Order 1015	1918-22								
1055	Worm thrust bearing retainer pin	1918-22	01			Blend	TT	112	1	
1056	Brake shoe	1918-22	2	50	MH	Blind	TT	2814	2	
1057	Brake shoe lining, each	1918-22	40	MH	Blink	TT	58	4		
1058	Brake shoe lining rivet	1918-22	dz.10			Blue	TT	68	40	
1059	Brake shoe spring	1918-22	05			Blunt	TT	67	2	
1060	Brake shoe bolt	1918-22	15			Blunt	TT	59	2	
1060B	Brake shoe bolt nut. Order 2898	1918-22								
1061	Brake expander	1918-22	40			Bodkin	TT	61	2	
1062	Brake expander lever	1918-22	15			Booth	TT	62	2	
1064	Brake expander adjustment collar	1918-22	20			Brig	TT	175	2	
1065	Brake expander bushing	1918-22	10			Bronze	TT	173	2	
1066	Brake expander pin	1918-22	01			Brook	TT	7	2	
1067	Brake expander link	1918-22	08			Broom	TT	176	4	
1068	Brake expander link pin	1918-22	03			Brow	TT	177	8	
1069	Brake rod	1918-22	30	MH	Brush	TT	119	2		
1070	Brake rod support—right	1918-22	05			Buck	TT	120	1	
1071	Brake rod support—left	1918-22	05			Bug	TT	121	1	
1072	Brake rod support bolt	1918-22	02			Serene	TT	17181	2	
1072B	Brake rod support bolt nut. Order 3088E	1918-22								
1073	Rear radius rod	1918-22	6	00		Burn	TT	152	2	
1074	Rear radius rod bolt—front	1918-22	20			Acclaim	TT	84	1	
1075	Rear radius rod bolt—rear	1918-22	15			Abcind	TT	83	4	
1075B	Rear radius rod bolt nut. Order 2828	1918-22								
1076	Universal joint bushing	1918-22	40			Crape	TT	69	1	

Of the net amount at which these parts are billed to purchasers who purchase direct from the Ford Motor Company (except parts which show no Tax Status, if any) 20/21 represents the price of the goods and 1/21 represents excise tax.

Insist upon genuine Ford parts

Insist upon genuine Ford parts

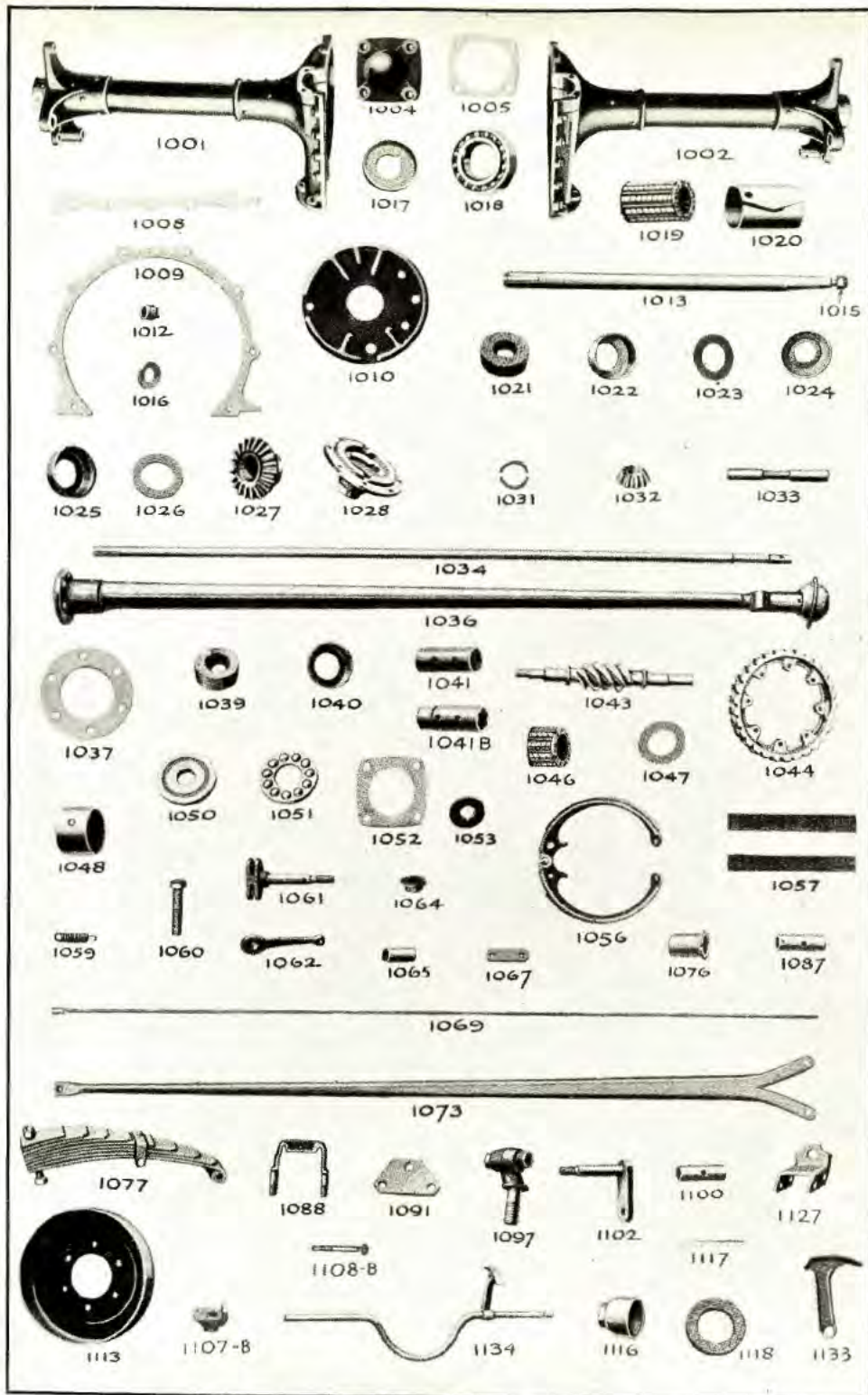


Plate No. 14

Part No.	Name of Part	Year	Price	Tax Status	Code Word	Model	Fac. No.	Req. per Car
SPRING								
1077	Rear spring—right or left, each	1918-22	\$ 5 50		MH. Cream	TT	333	2
1078	Spring leaf No. 1	1918-22	1 20		Creed	TT	334	2
1079	Spring leaf No. 2	1918-22	70		Crew	TT	362	2
1080	Spring leaf No. 3	1918-22	65		Crib	TT	363	2
1081	Spring leaf No. 4	1918-22	50		Croak	TT	364	2
1082	Spring leaf No. 5	1918-22	50		Croak	TT	365	2
1083	Spring leaf No. 6	1918-22	40		Croup	TT	366	2
1084	Spring leaf No. 7	1918-22	35		Crow	TT	367	2
1085	Spring leaf No. 8	1918-22	30		Crowd	TT	331	2
1086	Spring leaf No. 9	1918-22	20		Crumb	TT	332	2
1087	Spring bushing	1918-22	45		Crusher	TT	326	2
1088	Spring clip	1918-22	10		Cry	TT	327	4
1089	Spring clip nut	1918-22	20		Cuff	TT	329	2
1091	Spring clip plate	1918-22	30		Cult	TT	330	2
1092	Spring tie bolt	1918-22						
1093	Spring tie bolt nut. Order 1089	1918-22						
1094	Spring tie bolt cotter	1918-22	dz.05		Cure	TT	328	2
1095	Spring clamp	1918-22	10		Curly	TT	375	2
1096	Spring clamp bolt	1918-22	04		Curse	TT	376	2
1096B	Spring clamp bolt nut. Order 3514	1918-22						
1097	Spring perch	1918-22	80		MH. Dale	TT	2804	2
1098	Spring perch nut. Order 1015	1918-22						
1099	Spring perch cotter. Order 1014	1918-22						
1100	Spring perch bushing	1918-22	25		Demon	TT	172	2
1101	Spring perch bushing spacer	1918-22	05		Dean	TT	169	4
1102	Spring hanger assembly	1918-22	30		Dike	TT	91	4

WHEELS

1105B	Rear wheel complete (less tire) dem. Kelsey	Old No. 1109B	1919-22	25 00		Duelist	TT	7698	2
1105C	Rear wheel complete (less tire) dem. Hayes	Old No. 1109B	1919-22	25 00		Dulcant	TT	7698B	2
1106B	Dem. rim only—Kelsey	Old No. 1109C	1919-22	5 50		Duke	TT	8774	2
1106C	Dem. rim only—Hayes	Old No. 1109C	1919-22	5 50		Dumal	TT	8774B	2
1107B	Clamp and nut assembly—Kelsey	Old No. 1109D	1919-22	15		Duledge	TT	8807	12
1108B	Clamp bolt	Old No. 1109E	1919-22	10		Dullish	TT	8832	12
1109	Rear wheel complete, less tire		1918-20	18 00		Duel	TT	99	2
1110	Rear wheel complete, with solid tire		1918-20			MH. Drone	TT	7645	2
1111	Rear hub		1918-22	3 50		Dumb	TT	40	2
1112	Rear hub flange		1918-22	60		Dusk	TT	149	2
1113	Rear hub brake drum		1918-22	2 00		Dutch	TT	3	2
1114	Rear hub bolt		1918-22	05		Dwarf	TT	28	12
1114B	Rear hub bolt nut Used on 1114		1918-22	03		Durity	TT	29	12
1116	Rear hub cap		1918-22	35		Dyke	TT	150	2
1117	Rear hub key		1918-22	03		Ear	TT	26	1
1118	Rear hub felt		1918-22	05		East	TT	162	2

FRAME

1119	Frame assembly		1918-22	30 00		MH. Eat	TT	300	1
1120	Side member—right		1918-22	10 00		Ebb	TT	301	1
1121	Side member—left		1918-22	10 00		Fish	TT	302	1
1122	Front cross member		1918-22	1 00		Flirt	TT	303	1
1123	Rear cross member		1918-22	4 00		Flock	TT	304	1
1124	Front corner bracket—right		1918-22	15		Frost	TT	305	1
1125	Front corner bracket—left		1918-22	15		Froth	TT	306	1
1125B	Front end spacer—right		1918-22	15		Fruitage	TT	319	1
1125C	Front end spacer—left		1918-22	15		Fruitful	TT	318	1
1126	Rear cross member gusset plate		1918-22	25		Ghost	TT	307	2
1127	Rear cross member reinforcement		1918-22	35		Fruition	TT	325	2

TRANSMISSION CONTROL

1133	Speed lever		1918-22	10		Hoe	TT	862	1
1134	Controller shaft with speed lever		1918-22	75		MH. Hod	TT	1557	1

Of the net amount at which these parts are billed to purchasers who purchase direct from the Ford Motor Company (except parts which show no Tax Status, if any) 20/21 represents the price of the goods and 1/21 represents excise tax.

Insist upon genuine Ford parts

