

INTERNATIONAL®



1500 C

Vehicle illustrated may include Optional Equipment and does not necessarily include all standard equipment.

RATINGS

MAXIMUM GROSS VEHICLE WEIGHTS:*

Standard.....	14,000 lbs.
With RA-126 Rear Axle.....	16,000 lbs.

*Requires tires or adequate capacity

STANDARD EQUIPMENT

AXLE, FRONT

FA-28 4,000-lb capacity
Heat-treated forged-steel I-beam

AXLE, REAR

RA-20 10,000-lb capacity
Hypoid single reduction, 11" ring gear
Full floating, induction hardened shafts
Ratios: 4.87, 5.57 or 6.17 to 1

BRAKES, PARKING

External contracting band on
driveline: 8 × 2½"

Total lining area: 58.2 sq. inches

BRAKES, SERVICE

Hydraulic, with vacuum power assist
Single-cylinder, single-piston front
Dual-cylinder, double-piston rear
Size: 12½ × 2" front, 14½ × 3" rear
Total lining area: 271.6 sq. inches

CAB

All steel, with safety glass windows and
sweep-around windshield
Door locks both sides with safety latches
Non-glare padded instrument panel with
ammeter, fuel, water temperature and
oil pressure gauges
Full width adjustable seat, with Torflex
spring construction, vinyl upholstery
and polyurethane foam cushion
Acoustical roof headliner
Rubber floor mat with sound deadening
insulation
Fresh air heater and defroster
Padded sun visor for driver; outside rear

CAB (Continued)

view mirror
Ash tray; hand choke
Two-speed electric windshield wipers and
electric washers
Seat belts and shoulder harness anchors
CLUTCH
10-inch 9-spring single-plate
Hydraulic control; vibration dampener
COOLING SYSTEM
Permanent type anti-freeze -20°F
18.5 quart system capacity
Radiator frontal area: 497 sq. inches

ELECTRICAL SYSTEM

12-volt, 37-amp alternator
50-amp-hr, 54-plate battery
Fuse panel in glove compartment
Dual stop and tail lights; back-up lights
Dome light; single electric horn
Directional signals: front in parking lights,
rear in stop lights
Traffic hazard switch
Five front cab mounted clearance and
identification lights
Fender, side mounted amber reflectors
Front side marker lights

ENGINE

International BG-241 gasoline six
Gross BHP: 140.8 @ 3800 rpm
Gross torque: 223.5 lb-ft @ 2000 rpm
241 cu. in. displmt; 7.5 to 1 compr. ratio
Oil bath air cleaner; full-flow oil filter

OPTIONAL EQUIPMENT

AXLE, REAR

RA-126 12,000-lb capacity
two-speed
Ratio: 5.83/8.11

BODIES

9-ft and 12-ft platform body
9-ft and 12-ft stake body

CAB

Deluxe interior trim package
Custom interior trim package
Exterior trim package
Front bucket seats with console
Flat back cowl in lieu of cab
Air conditioner
Super-capacity heater-defroster
Left and right side arm rest
Left or right side extension type mirrors
Tinted glass; glove box lock
Outside trim moulding

CLUTCH

11-inch 9-spring
12-inch 12-spring

COOLING

Increased capacity system

ELECTRICAL SYSTEM

12-volt 52- or 61-amp alternator
60 or 70 amp-hr battery
Dual electric horns; radio
Cigar lighter
Radio and antenna

ENGINE

BG-265 153.5-BHP gasoline six
V-266 154.8-BHP gasoline V8
V-304 193.1-BHP gasoline V8
V-345 gasoline V8

FINISH

Chassis, black; bumper, white
Hood, cab, fenders and wheels: choice
of any standard IH color

FRAME

Pressed steel channel main rails
132" WB: 7¼ × 3 × ¾; 6.28 sec. mod.
156" WB: 8½ × 3 × ¾; 7.37 sec.
mod.
Formed steel front bumper

FUEL TANK

19-gallon, mounted under cab

STEERING

S-8 gear, with 17-inch steering wheel and
collapsible column

SUSPENSION

Semi-elliptic steel leaf springs
Front: 2½ × 46"; 4,340-lb capacity
Rear: 3 × 34" main, 3 × 34" auxiliary;
combined capacity: 12,110 lbs.

TRANSMISSION

T-15 four-speed synchromesh, direct
Floor-mounted gearshift lever
Ratios: 6.40, 3.09, 1.69, 1.00; 7.82 rev.

WHEELS AND TIRES

Single front and dual rear
7.50 × 17.8-PR truck type tires
5-stud disc wheel, with 6.00S rims
8" bolt circles

ENGINE (Continued)

Velocity-type engine governor
Automatic choke

FRAME

Underslung tire carrier
Two front two hooks
Chrome front bumper

STEERING

S-60 gear and collapsible column (re-
quired with 7.50 × 20 tires)

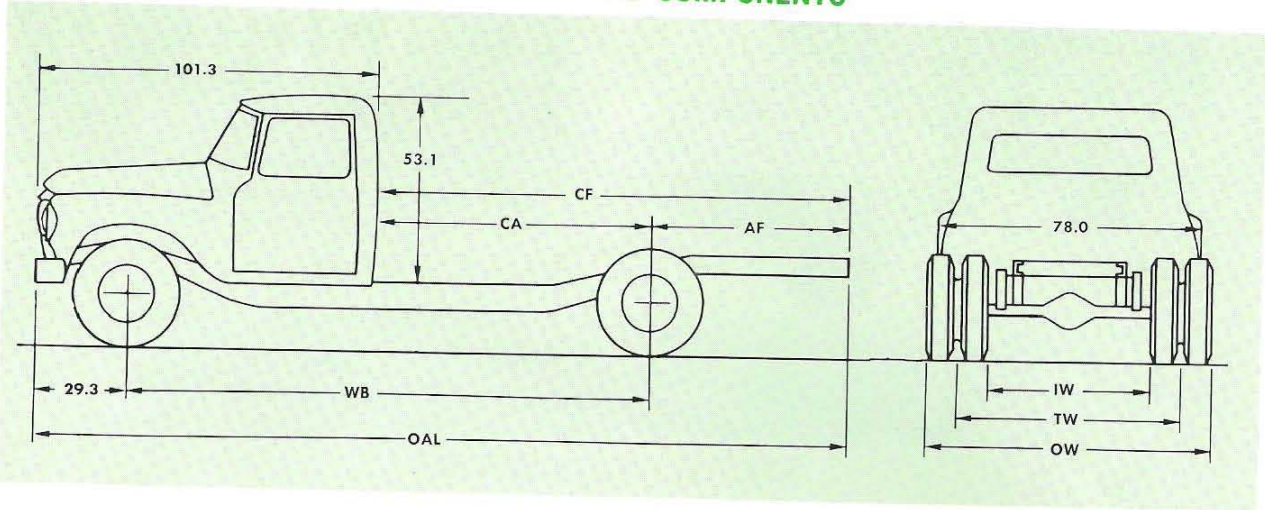
SUSPENSION

5,000-lb capacity heavy-duty front springs
14,220-lb capacity heavy-duty main and
auxiliary rear springs
Front and rear shock absorbers

WHEELS AND TIRES

7.50 × 20, 8-PR tires and tubes

**DIMENSIONS AND WEIGHTS
WITH STANDARD COMPONENTS**



DIMENSIONS with 7.50 x 17 TIRES									
Overall Width: 78" at front fenders			Ground Clearance: 9.9" at front axle			Frame Height at Rear Axle: 32.3" empty			
Overall Height: 73.8" at top of cab			9.4" at rear axle			29.1" loaded			
CHASSIS DIMENSIONS and WEIGHTS									
CHASSIS WEIGHTS, LBS.*				DIMENSIONS				TURNING RADIUS	
WB	Front	Rear	Total	CA	CF	AF	OAL	To Centerline of Tire	With Bumper Clearance
132"	2,680	1,840	4,520	60"	104"	44"	205.3"	21 ft. 2 in.	22 ft. 6 in.
156"	2,785	1,780	4,565	84"	140"	56"	241.3"	24 ft. 8 in.	25 ft. 11 in.

*Chassis and cab with standard equipment, oil, fuel and water.

TIRE DIMENSIONS

Tire Size	TIRES AND TUBES on DISC WHEELS	
	7.50 x 17	7.50 x 20
Rim Size	6.00S	6.00S
Outside width OW	84.6"	85.5"
Tread width TW	66.1"	66.1"
Inside width IW	47.7"	46.7"
Chain clearance	3.9"	3.4"
Front Tread	65.3"	64.2"

In order that product improvements may be introduced at any time, specifications are subject to change without notice.



INTERNATIONAL HARVESTER COMPANY • 401 NORTH MICHIGAN AVE. • CHICAGO, ILLINOIS 60611

CT-400F. AD-4276-U7. 1-1.

ORDER AD SPEC. SHEETS ON AD-4130.

Litho in United States of America

68