

2006  
BMW X3  
Sports Activity  
Vehicle



The Ultimate  
Driving Machine®

X3 3.0i



If the X3 looks like fun,  
**believe your eyes.**



**xDrive:** Agility and traction –  
when and where you need it.



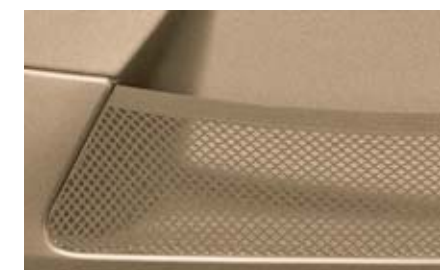
Want to talk engine? **Motor is our middle name.**



Give your **senses**  
a workout.



Shown: Birch Grain Wood interior trim.  
(no-cost option)



The X3's door pockets give you a clear view  
of what's inside – and are large enough to  
store a water bottle.

Please refer to the Combinations chart on Page 47 for details on limitations and exclusivity  
when selecting X3 SAV interior trim.

## Equipment



■ **Halogen free-form foglights** are cleanly integrated into the front air dam, illuminating the road ahead in bad weather and poor visibility.



■ **Roof rails**, blending harmoniously with the X3's design, provide the foundation for BMW's multi-functional roof support system for convenient and safe transportation of surfboards, snowboards, skis, etc.



□ **Park Distance Control** uses ultrasonic sensors in the front and rear bumpers to help you judge the distance to other cars and unseen objects when parking. The beeping becomes faster as your bumper approaches the object, turning into a constant tone when the distance is less than 12 inches.



□ **18 x 8.0 Double Spoke (Styling 192M) alloy wheels and 235/50R-18 all-season tires** are included in the Sport Package. The same style wheel, available as an option when ordering the Sport Package, includes **performance tires** and 18 x 8.0 wheels with 235/50R-18 tires at the front and 18 x 9.0 wheels with 255/45R-18 tires<sup>1</sup> at the rear.

<sup>1</sup>Due to low-profile tires, please note: wheels, tires and suspension parts are more susceptible to road hazard and consequential damages. Performance tires not recommended for driving in ice and snow conditions.



□ **18 x 8.0 Star Spoke (Styling 113) alloy wheels and 235/50R-18 all-season tires** are available as an option to the standard 17" wheel. (Not avail. with Sport Package)



■ **17 x 8.0 Double Spoke (Styling 112) alloy wheels and 235/55R-17 all-season tires** are standard on the X3 3.0i.

## Equipment | Standard



■ **Six-speed manual transmission**, standard on both the X3 2.5i and 3.0i,<sup>1</sup> delivers a precise, athletic feel that's responsive to your personal driving style. This is due, in part, to the enhanced synchronization of shifts from neutral to each gear. (Shown: opt. heated seats; Sport Package; Aluminum-finish trim,<sup>2</sup> Montana Leather upholstery<sup>2</sup>)

<sup>1</sup> 5-speed STEPTRONIC automatic transmission available as a no-cost option.

<sup>2</sup> Refer to Combinations chart on Page 47 for details when ordering upholstery and interior trim.



■ **Instrument panel** has analog display for speedometer and tachometer with integrated fuel and engine temperature gauges. Also includes an LCD display for mileage, trip odometer, and on-board computer (if so equipped). When parking lights or headlights are on, the gauges are in an easy-to-read red.



■ **Power windows** include "one-touch" up/down operation for the front and "one-touch" down for the rear.



■ **BMW anti-theft AM/FM stereo/CD/MP3 audio system** produces full, rich sound through eight hi-fi speakers. Includes Radio Data System (RDS), Auto-Store, 3-channel FM diversity antenna system; pre-wired for a BMW six-disc CD player/changer<sup>1</sup> and compatible with auxiliary audio input adaptor<sup>1</sup> for audio connection of portable music players.

<sup>1</sup> Available as an accessory.

■ Standard

## Packages

### Sport Package<sup>1</sup>

The X3 3.0i SAV was made for sporty driving. Make the most of its fun-loving capabilities by adding the optional Sport Package. The X3's sport suspension calibration and 18" wheels with all-season tires enhance its performance characteristics and its looks become even bolder and more purposeful with a full-body aerodynamic kit, including body-color side skirts and front and rear bumpers; exterior shadowline trim completes the effect. Inside, front sport seats hold you tight in curves as you navigate turns gripping the three-spoke leather-wrapped M Sport steering wheel.

<sup>1</sup> Requires optional Montana Leather upholstery or Premium Package.

See Page 70 for a listing of Sport Package components and Page 47 Combinations chart for exterior paint color restrictions when ordering X3 SAV with optional Sport Package.



**Front sport seats** are designed to enhance the driving experience. Multiple adjustments add to comfort over long distances; specially bolstered side padding helps hold occupants firmly in place during tight cornering. (Aluminum-finish trim<sup>1</sup> shown is a no-cost option)

<sup>1</sup>Refer to Combinations chart on Page 47 for details when ordering upholstery and interior trim.



**18 x 8.0 Double Spoke (Styling 192M) alloy wheels and 235/50R-18 all-season tires** are included in the Sport Package. Available as an option with the Sport Package is the same Double Spoke style wheel with **performance tires**. In front: 18 x 8.0 wheels with 235/50R-18 tires; at the rear: 18 x 9.0 wheels with 255/45R-18 tires!<sup>1</sup>

<sup>1</sup>Due to low-profile tires, please note: wheels, tires and suspension parts are more susceptible to road hazard and consequential damages. Performance tires not recommended for driving in ice and snow conditions.



## Packages



**M Sport steering wheel** delivers confident grip when taking tight corners, and remains comfortable when driving long distances.



**Full-body aerodynamic kit** emphasizes the X3 SAV's dynamic appearance. The body-color front and rear bumpers and side skirts underscore the purposeful look. (Shown with optional Park Distance Control)

## Combinations

Interior colors	Sensatec Leatherette <sup>1</sup>		Montana Leather <sup>2</sup>			
Upholstery colors	Sand Beige	Black	Sand Beige	Gray	Terracotta	Black
Exterior colors						
<b>300</b> Alpine White <sup>3</sup>	●	●	●	●	●	●
<b>668</b> Jet Black <sup>3</sup>	●	●	●	●	●	●
<b>354</b> Titanium Silver Metallic <sup>4</sup>		●		●	●	●
<b>A08</b> Silver Gray Metallic <sup>4</sup>	●	●	●	●	●	●
<b>896</b> Blue Water Metallic <sup>4,5</sup>	●	●	●	●		●
<b>A07</b> Mystic Blue Metallic <sup>4</sup>	●	●	●	●		●
<b>470</b> Flamenco Red Metallic <sup>4,5</sup>	●	●	●	●	●	●
<b>A11</b> Highland Green Metallic <sup>4,5</sup>	●	●	●	●	●	●
<b>475</b> Black Sapphire Metallic <sup>4</sup>	●	●	●	●	●	●
Interior trim						
Maple Sycamore Dark Wood <sup>6</sup>						
Birch Grain Light Wood <sup>7</sup>						
Aluminum-finish <sup>8</sup>						

- 1** Sensatec Leatherette: Standard. Not available with Premium Package.
- 2** Montana Leather: Optional. Included in Premium Package.
- 3** Non-metallic exterior paint: Standard.
- 4** Metallic exterior paint: Optional.
- 5** Blue Water Metallic, Flamenco Red Metallic and Highland Green Metallic: Not available with Sport Package.
- 6** Maple Sycamore Dark Wood interior trim: Standard.
- 7** Birch Grain Light Wood interior trim: No-cost option.
- 8** Aluminum-finish interior trim: No-cost option.

Here are your exterior and interior color choices. Review the color swatches to compare various combinations indicated in the chart. Since exterior paint samples and colors printed on paper can never perfectly match paint finishes and upholstery, we suggest you visit your local authorized BMW SAV center to view the actual colors.

## Standard equipment | Optional equipment

	X3 3.0i
<b>Performance and efficiency</b>	
3.0-liter dual overhead cam (DOHC), 24-valve inline 6-cylinder engine	●
Electronic throttle control	●
Double-VANOS "steplessly" variable valve timing	●
Dual resonance intake system	●
6-speed manual transmission	●
5-speed STEPTRONIC automatic transmission with Adaptive Transmission Control <sup>1</sup>	○
<b>Handling, ride and braking</b>	
xDrive all-wheel-drive system	●
Dynamic Stability Control (DSC)	●
Hill Descent Control (HDC)	●
Engine-speed-sensitive power steering	●
Servotronic vehicle-speed-sensitive power steering	○
Unitary body structure with independent suspension	●
Gas pressure shock absorbers	●
Front and rear anti-roll (stabilizer) bars	●
4-wheel ventilated anti-lock disc brakes with Dynamic Brake Control	●
Sport suspension calibration <sup>2</sup>	□
<b>Exterior</b>	
17 x 8.0 Double Spoke (Styling 112) alloy wheels, 235/55R-17 all-season tires	●
18 x 8.0 Star Spoke (Styling 113) alloy wheels, 235/50R-18 all-season tires <sup>3</sup>	○
18 x 8.0 Double Spoke (Styling 192M) alloy wheels, 235/50R-18 all-season tires	□
Double Spoke (Styling 192M) alloy wheels, 18 x 8.0 front, 18 x 9.0 rear; 235/50R-18 front, 255/45R-18 rear performance tires <sup>4</sup>	○
Space-saver spare wheel and tire	●
Xenon Adaptive Headlights with auto-leveling and adaptive light control	○
Halogen free-form foglights	●
Headlight washer system	★
Door handles in matching body color	●
Full body-color aerodynamic kit with painted side skirts	□
Shadowline exterior trim	□
Privacy glass	○
Roof rails	●
Metallic paint	○
<b>Instrumentation and controls</b>	
Service Interval Indicator with miles-to-service readout	●
Check Control vehicle monitor system with pictogram display	●
Flat Tire Warning system	●
4-function on-board computer	●
On-board navigation system with 16:9 display and folding monitor	○

● = Standard.

○ = Optional.

◇ = Included in optional Premium Package.

□ = Included in optional Sport Package.

★ = Included in optional Cold Weather Package.

<sup>1</sup> No-cost option.

<sup>2</sup> Note: Sport suspension consists of stiffer springs and anti-roll bars. While these features improve the sporty handling of the X3, they can also create a firmer ride, which may not be acceptable for all customers.

<sup>3</sup> Not available with Sport Package.

<sup>4</sup> Sport Package required. Due to low-profile tires, please note: wheels, tires and suspension parts are more susceptible to road hazard and consequential damages. Performance tires not recommended for driving in ice and snow conditions.

## Standard equipment | Optional equipment

Interior seating	X3 3.0i
8-way power adjustable front seats with 2-way manual headrests, and driver seat and mirror memory	●
8-way power adjustable front sport seats with 2-way manual thigh support <sup>5</sup>	□
4-way lumbar support for front seats	◇
Sensatec Leatherette upholstery	●
Montana Leather upholstery	○/◇
Heated front seats	○/★
4-spoke leather-wrapped multi-function steering wheel with fingertip cruise control	●
3-spoke leather-wrapped multi-function M Sport steering wheel	□
Heated steering wheel <sup>6</sup>	○
Front center console armrest	●
Storage nets on front seatbacks, in front passenger footwell and luggage compartment; two aluminum fastening cargo rails and slip-proof reversible flooring in rear cargo compartment	●
Split 60/40 fold-down rear seats	●
Ski bag <sup>7</sup>	★
<b>Comfort and convenience</b>	
Vehicle & Key Memory	●
Remote entry, including 2-step unlocking and remote tailgate release	●
Automatic climate control with micro-filter and air recirculation	●
Panoramic moonroof with fully automatic, two-piece glass panels, power slide and lift control, trap release, wind deflector and power interior sunshade	●
Tilt/telescopic steering wheel column	●
Park Distance Control (PDC), front and rear	○
Rain-sensing windshield wipers with Automatic headlight control	●
Automatic-dimming inside rear-view mirror	◇
Power front windows with "one-touch" up/down operation; power rear windows with "one-touch" down	●
Front/rear map-reading, footwell and visor-mirror lights	●
Locking glovebox with rechargeable take-out flashlight	●
Dual cupholders	●
Retractable cargo net	○
Pre-wiring for cellular phone, garage-door opener, 6-disc CD changer and auxiliary input	●

● = Standard.

○ = Optional.

◇ = Included in optional Premium Package.

□ = Included in optional Sport Package.

★ = Included in optional Cold Weather Package.

<sup>5</sup> Requires optional Montana Leather upholstery.

<sup>6</sup> Not available with Sport Package.

<sup>7</sup> Upon BMW X3 SAV delivery, the ski bag is detached and stored beneath the load floor in the rear cargo area.

## Standard equipment | Optional equipment

	X3 3.0i
<b>Audio system</b>	
Anti-theft AM/FM stereo/CD/MP3 audio system with 8 speakers, Radio Data System (RDS), Auto-Store, and 3-channel FM diversity antenna system; pre-wired for 6-disc CD changer <sup>8</sup> and compatible with auxiliary audio input adapter <sup>8</sup> for audio connection of portable music players	●
Premium sound with DSP (Digital Sound Processor) AM/FM stereo/CD/MP3 audio system with 8 upgraded speakers, upgraded amplification, and vehicle-speed-sensitive equalization; prewired for 6-disc CD changer <sup>8</sup> and compatible with auxiliary audio input adapter <sup>8</sup> for audio connection of portable music players	○
<b>Safety and security</b>	
Anti-lock braking system (ABS)	●
Head Protection System (HPS), front and rear	●
Driver's and passenger's front airbag supplemental restraint system (SRS) with "smart" dual-threshold, dual-stage deployment and sensor to help prevent unnecessary passenger's airbag deployment	●
Adaptive Brake Lights	●
Front-door-mounted side-impact airbags	●
Rear-door-mounted side-impact airbags	○
Intelligent Safety and Information System (ISIS) for deployment of safety systems	●
Automatic-locking retractors (ALR) on all passenger safety belts (for installation of child restraint seats)	●
Isofix attachments for child-restraint safety seat installation	●
Battery Safety Terminal	●
Central locking system with center console switch (leaves gas filler door unlocked), double-lock feature and 2-step unlocking	●
Coded Driveaway Protection	●
Front safety belts with automatic pretensioners and force limiters	●
Crash sensor that automatically turns on hazard lights and interior lights, and unlocks doors	●
Daytime running lights (via Vehicle Memory system – programmed at BMW SAV center)	●
Prewiring for alarm system	●
BMW Assist with Bluetooth integrated wireless communication system	○/◇
<b>BMW Maintenance Program</b>	
BMW Full Maintenance <sup>9</sup>	●
<b>Premium Package</b>	
Automatic-dimming inside rear-view mirror	◇
BMW Assist with Bluetooth integrated wireless communication system	◇
Montana Leather upholstery	◇
4-way lumbar support for front seats	◇

● = Standard.

○ = Optional.

◇ = Included in optional Premium Package.

□ = Included in optional Sport Package.

★ = Included in optional Cold Weather Package.

<sup>8</sup> Available as an accessory.

<sup>9</sup> Full Maintenance Program covers all factory-recommended maintenance, as determined by the Service Interval Indicator for 4 years or 50,000 miles, whichever comes first. Full Maintenance Program includes items that need replacement due to normal wear and tear, provided wear and tear exceeds BMW specifications. This includes items such as brake pads, brake rotors and wiper blades that are not covered by the original New SAV Limited Warranty. Any adjustments required due to normal operating conditions are also included. For exclusions and limitations, refer to the Service and Warranty Information booklet that came with your new BMW. Further information regarding the X3 SAV can be obtained from your authorized BMW SAV center or [bmwusa.com](http://bmwusa.com).

## Standard equipment | Optional equipment

	X3 3.0i
<b>Sport Package<sup>10</sup></b>	
18 x 8.0 Double Spoke (Styling 192M) alloy wheels, 235/50R-18 all-season tires	□
Double Spoke (Styling 192M) alloy wheels, 18 x 8.0 front, 18 x 9.0 rear; 235/50R-18 front, 255/45R-18 rear performance tires <sup>11</sup>	○
8-way power adjustable front sport seats with 2-way manual thigh support	□
3-spoke leather-wrapped multi-function M Sport steering wheel	□
Sport suspension calibration <sup>12</sup>	□
Full body-color aerodynamic kit with painted side skirts	□
Shadowline exterior trim	□
<b>Cold Weather Package</b>	
Ski bag <sup>13</sup>	★
Heated front seats	★
Headlight washer system	★
<b>Accessories</b>	
CD changer (6-disc)	△
BMW cellular telephone	△
Alarm system	△
BMW Universal Transceiver (integrated remote garage-door opener) in rear-view mirror	△
Floor mats	△
Auxiliary audio input adapter for audio connection of portable music players	△
Bicycle rack that attaches to cargo rails	△
Trailer hitch with 3500 lb. towing capacity <sup>14</sup>	△
Aerodynamic components	△
iPod Seamless Integration System <sup>15</sup>	△
SIRIUS Satellite Radio <sup>15</sup> (requires Satellite Radio preparation)	△

- = Standard.
- = Optional.
- = Included in optional Sport Package.
- ★ = Included in optional Cold Weather Package.
- △ BMW center-installed accessory.

<sup>10</sup> X3 3.0i Sport Package requires optional Montana Leather upholstery or Premium Package.

<sup>11</sup> Sport Package required. Due to low-profile tires, please note: wheels, tires and suspension parts are more susceptible to road hazard and consequential damages. Performance tires not recommended for driving in ice and snow conditions. Spare is a space-saver wheel and tire.

<sup>12</sup> Note: Sport suspension consists of stiffer springs and anti-roll bars. While these features improve the sporty handling of the X3, they can also create a firmer ride, which may not be acceptable for all customers.

<sup>13</sup> Upon BMW X3 SAV delivery, the ski bag is detached and stored beneath the load floor in the rear cargo area.

<sup>14</sup> **Please view X3 Owner's Manual for towing guidelines.**

<sup>15</sup> For additional information, please visit your authorized BMW SAV center.

## Specification | Technical features

		X3 3.0i
<b>Weight</b>		
Unladen	lbs	4023 (4067)
Weight distribution, front/rear		
Manual transmission	%	49.9/50.1
Automatic transmission	%	50.4/49.6
<b>Engine</b>		
Liter/type		3.0/inline 6
Bore/stroke	inch	3.31/3.53
Nominal output/rpm	hp	225/5900
Max torque/rpm	lb-ft	214/3500
Compression ratio	:1	10.2
Fuel grade		Unleaded premium
<b>Transmission</b>		
Manual gear ratios		
I/II/III	:1	4.35/2.50/1.66
IV/V/VI/R	:1	1.23/1.00/0.85/3.93
Final drive ratio	:1	3.64
Automatic gear ratios		
I/II/III	:1	3.42/2.22/1.60
IV/V/R	:1	1.00/0.75/3.03
Final drive ratio	:1	3.64
<b>Performance</b>		
Drag coefficient	C <sub>d</sub>	0.35
Top speed	mph	130/137 <sup>1,2</sup>
Acceleration 0-60 mph <sup>3</sup>	sec	7.6 (7.9)
<b>Fuel consumption<sup>4</sup></b>		
6-speed manual transmission		
City/Highway	mpg	17/25
5-speed automatic transmission		
City/Highway	mpg	16/23
<b>General</b>		
Maximum payload	lbs	1025 (1036)
Gross Vehicle Weight Rating – GVWR	lbs	5049 (5104)
Roof load limit	lbs	165
Tongue weight/Trailer-towing capacity	lbs	350/3500 (Class 2)
Breakover angle @ curb weight	°	18°
Angle of approach @ curb weight	°	24°
Angle of departure @ curb weight	°	21.9
Ground clearance	inch	8.0
Fording ability	inch	19.7
EPA cargo volume with rear seats folded down	cu ft	71

Figures in ( ) apply to vehicles with automatic transmission.

<sup>1</sup> Top speed limited electronically.

<sup>2</sup> With optional Double Spoke (Styling 192M) alloy wheels and performance tires; requires Sport Package.

<sup>3</sup> BMW AG test results. Actual acceleration results may vary, depending on specification of vehicle; road and environmental conditions: testing procedures and driving style. These results should be used for comparison only and verification should not be attempted on public roads. **BMW urges you to obey all posted speed laws and always wear safety belts.**

<sup>4</sup> EPA-estimated figures are for comparison purposes only. Your actual mileage will vary, depending on speed, driving habits, trip length and driving conditions; actual mileage will most likely be lower.

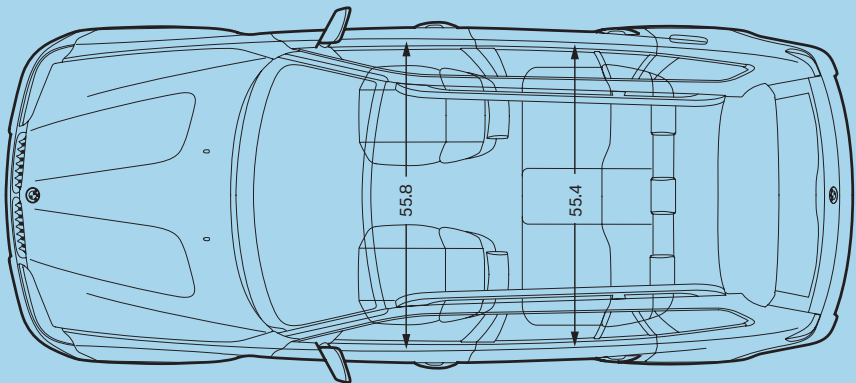
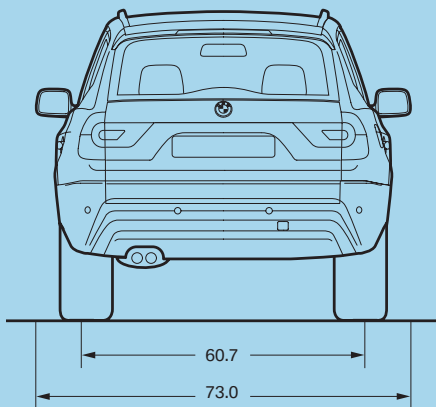
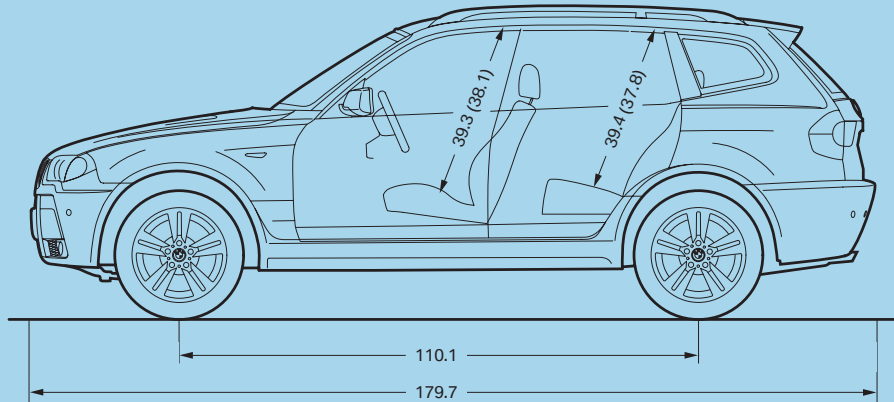
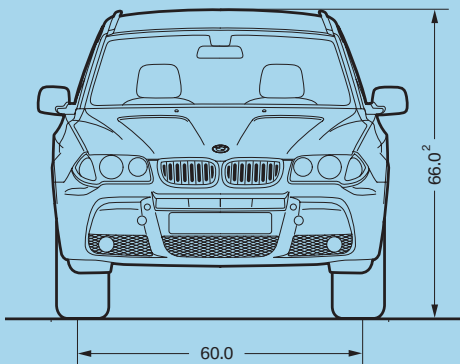
## Specification | Technical features

### Wheels

		X3 3.0i
Tire dimensions	(standard)	235/55R-17 all-season
Wheel dimensions	(standard)	17x 8.0
Material		Cast alloy
Tire dimensions	(Sport Package)	235/50R-18 all-season <sup>1</sup>
Wheel dimensions	(Sport Package)	18x 8.0
Material		Cast alloy

### Brakes

Front Type/Diameter	inch	Ventilated disc/12.8
Rear Type/Diameter	inch	Ventilated disc/12.6



All dimensions shown in inches. Figures in ( ) apply to Panoramic glass moonroof.

<sup>1</sup> Due to low-profile tires, please note: wheels, tires and suspension parts are more susceptible to road hazard and consequential damages.

<sup>2</sup> Includes antenna.

<sup>3</sup> Measurement does not include vehicle side-view mirrors.

All illustrations and specifications contained in this brochure are based on the latest product information available at the time of printing. BMW reserves the right to make changes at any time, without notice, in colors, materials, equipment, specifications and models. BMW may, subject to legal requirements, determine the Model Year designation of its vehicles. The Model Year designation on any particular model may be longer or shorter than 12 months. Some vehicles pictured may contain non-U.S. equipment. Some models may be shown with optional equipment. While BMW NA makes all reasonable efforts to provide accurate information in this brochure, there is no guarantee or warranty of accuracy. Furthermore, we do not assume any liability for the accuracy or completeness of information presented. This brochure shall not be used or relied upon as a substitute for information that is available from your BMW SAV center. Further information can be obtained from your authorized BMW SAV center or [bmwusa.com](http://bmwusa.com).

U.S. Importer: BMW of North America, LLC, Woodcliff Lake, NJ 07677. All illustrations and specifications contained in this brochure are based on the latest product information available at the time of printing. BMW reserves the right to make changes at any time, without notice, in colors, materials, equipment, specifications and models. BMW may, subject to legal requirements, determine the Model Year designation of its vehicles. The Model Year designation on any particular model may be longer or shorter than 12 months. Some vehicles pictured may contain non-U.S. equipment. Some models may be shown with optional equipment. Further information can be obtained from your authorized BMW SAV center or [bmwusa.com](http://bmwusa.com).

©2005 BMW of North America, LLC. Not to be reproduced wholly or in part without written permission of BMW of North America, LLC. The BMW name and logo are registered trademarks.