

MAYBACH



MAYBACH 57 AND MAYBACH 62

EVERY MASTERPIECE IS A TESTAMENT TO ITS CREATOR.
OURS IS A TESTAMENT TO ITS OWNER TOO



BUT WITH SOME EVEN THE NAME RESONATES

Maybach – music to the ears of the car lover. The name is associated with the most beautiful and distinguished vehicles ever to grace the road. During the twenties and thirties they could be admired on the boulevards of New York, Monte Carlo and Berlin. The beginning of the forties brought the classic Maybach era to an end. Even long after production of these legendary vehicles ended, they remained very much alive in the heads and hearts of engineers, designers and automotive enthusiasts.

The Maybach has returned for the 21st century. Like its esteemed predecessors, the current version once again sets new standards with its technology, design and individuality. And like an instrument that is brought to life by the player, this car resonates with its owner's sense of style.





The overture

More than 100 years ago, Wilhelm Maybach built a car that pointed the way to the modern era. His Opus No.1 went down in history as the first Mercedes, and he is still remembered as the “king of the design engineers.”

The first act

His son, Karl, took over the reins, creating further masterpieces between the twenties and the forties. Having set many standards in terms of size, technology and performance by the end of the twenties, Maybach followed this up in the thirties with a surprise move: the introduction of a “small” model, known by the abbreviation SW, which stood for swing axle. The picture here gives some idea of its stunning design. It was lovingly handcrafted, a unique product built in accordance with the wishes of the individual customer, as is still the case with every Maybach today.

The second act

Like Mercedes-Benz, the Maybach brand belonged to the elite of the automobile world. At the end of the 20th century, some of the most capable and imaginative minds at Mercedes-Benz took up the challenge to return Maybach to that position. The result is certainly dramatic. But let's begin at the subtle end of the scale, because the first thing you'll notice about the new Maybach is how quiet it is. The acoustic engineers tracked down and essentially silenced

all sources of noise intrusion. You won't hear much from the engine either, but you'll certainly be able to feel its power. The V-12 engine, with its 5.5-liter displacement and twin turbochargers, accelerates the car from 0 to 60 mph in just over 5 seconds.¹ That the rear seat passengers can watch movies at the same time is merely one indicator of how the Maybach has remained true to its original spirit while offering the best of current technology.

¹ Stated rates of acceleration are based upon manufacturer's track results and may vary depending upon model, environmental and road surface conditions, driving style, elevation and vehicle load







The finale

We have fitted the Maybach with everything it takes to make a premium sedan agile and dynamic. Take the AIRMATIC Dual Control air suspension with Adaptive Damping System, for example. This system differs from conventional spring-based suspension in that it gives the Maybach an extraordinarily comfortable basic suspension set-up without compromising its responsive handling. The suspension can also adapt automatically to the condition of the road surface and the given situation, virtually ironing out bumps in the road. Speed-sensitive power steering contributes to agility that

is remarkable for a car of this stature. Standard equipment DISTRONIC helps maintain a set distance from the vehicle in front: if the gap between vehicles decreases by a certain level, the Maybach automatically applies partial braking power to help slow the vehicle; if the gap widens the car is accelerated to the preset speed.¹ Finally, PARKTRONIC helps with parking, emitting visible and audible signals to warn the driver that the vehicle is getting too close to an obstacle detected in its front or rear path.

¹DISTRONIC adaptive cruise control is no substitute for active driving involvement. It does not react to stationary objects, nor recognize or predict the curvature and lane layout of the road or the movement of vehicles ahead, and it can only apply a maximum of 20 % of vehicle braking power. It is the driver's responsibility at all times to be attentive to traffic and road conditions, and to provide the steering, braking and other driving inputs necessary to retain control of the vehicle



BUT SOME GET TO TAKE IT WITH THEM

Inside the Maybach you'll discover one of the most beautiful and stylish living rooms to be found on the road today. You may even forget that you're on the move. The seats are upholstered in Grand Nappa leather, a superior material that is treated and hand-finished by skilled craftsmen in such a way that the surface retains its open character. The delicate pores remain visible, enhancing its excellent breathing characteristics and making it particularly comfortable. Pneumatically adjustable air cushions and a programmable massage function help erase the day's stresses. And for the ultimate in relaxation, the Maybach 62 is fitted with first-class-style reclining rear seats. Seven electric motors move these masterpieces of technology into the position you require – from upright to a relaxed, reclining setting. A luxury suite like this cries out for a minibar. So we also offer a thermostat-controlled refrigerated compartment for the rear center armrest on request.



The architecture

The optional electrotransparent panoramic glass roof with electrically adjustable transparency, available for the Maybach 62, is an unequivocal highlight – quite literally. Its elegant coffered structure, in fine wood, resembles a glass dome, rising above the rear passenger compartment and producing a unique light effect. A film of liquid crystals controls the degree of transparency and filters the light to create a pleasant opaque glow, setting off the sky to dramatic effect.

If clouds should cast a shadow over the picture or you find yourself on a long night-time drive, an electrically operated, dimmable inner layer can be extended below the glass roof. Tulip-shaped uplights and light strips underscore the exclusive, relaxing ambience. A solar module produces energy to automatically operate the cabin ventilation when the Maybach is parked in sunlight, to help keep the interior cooler for your return.



The interior appointments

The headliner of the Maybach is trimmed with Alcantara. Embedded in it are dials that show the rear passengers the current speed, the time and the outside temperature. For entertainment there's a high-resolution screen for each rear passenger in the back of the front seats – or in the partition that is available as an option for the Maybach 62, completely separating the front and rear compartment from one another. The front seats are served by the color display for the COMAND system. The Bose® sound system, with its 21 loudspeakers, delivers 600-Watt Dolby surround sound to each seat.

Variations in noise are picked up by a microphone and automatically compensated for – helping to ensure a consistent acoustic experience. The two air conditioning systems, one for the front of the passenger compartment and one for the rear, work equally intelligently. The systems work independently of one another and can be adjusted separately. Temperature and airflow can be individually controlled for all passengers. Soft velour carpeting adds a further pleasant touch – rounding off that unmistakable living-room feel.









The steering wheel is trimmed with sumptuous Nappa leather, embellished with elegant wood and chrome elements. Four thumb-operated buttons provide the driver with control over eight basic functions. This helps the driver keep both hands where they belong for safe driving. The heated steering wheel provides much appreciated warmth on a winter day. On board the Maybach you'll instinctively sense that you're in safe hands. The exemplary safety technology not only includes a sophisticated bodyshell-structure, but also a total of 10 air bags – two air bags for the front passengers,

deploying in two stages, based on the severity of the collision, four side-impact air bags and two large Head Protection Curtains on each side of the interior. The electrohydraulic braking system, Sensotronic Brake Control, is designed to provide optimum braking performance under all driving conditions. Dynamic handling systems such as our Electronic Stability Program (ESP®) and Automatic Slip Control intervene if there is a danger of sliding and help to stabilize the vehicle.¹

¹No system, no matter how sophisticated, can repeal the laws of physics or overcome careless driving actions. Please always wear your seat belt

FOR MADE-TO-MEASURE PRODUCTS,
MOST PEOPLE WOULD GO TO A TAILOR



BUT SOME GO TO VISIT THEIR CAR COMPANY

Your Maybach can be unique in the truest sense of the word. There are numerous trim options to choose from, and we will be happy to discuss these with you in person. For the paintwork alone you have a choice of 17 different shades. Colors can be combined in a two-tone scheme, giving you hundreds of options for lending the Maybach your own personal touch. The interior can also be designed to match your requirements, following personal discussions with our individualization team.







Maybach 57

Measuring an impressive 225.5 inches (5.73 m) in length, the Maybach 57 is one of the largest production cars in the world. Its proportions provide four or five privileged passengers with exceptional room and comfort.



Maybach 62

Measuring 242.7 inches (6.17 m) in length, the Maybach 62 represents an entirely new dimension in luxury and comfort in the chauffeur-driven class.



Stylish elegance and a look of assurance at all times:

19-inch alloy wheels in a classic 7-spoke design



For even more individuality:

striking 19-inch, 10-hole trochoid light-alloy wheels





EVERY MAYBACH REFLECTS ITS OWNER'S PERSONAL STYLE

Standing out from the crowd has never been easier. And it starts with the paintwork: The specially selected colors, such as Nayarite Silver or Himalayas Dark Grey, can be combined to give the Maybach a striking, yet elegant, two-tone finish.

It goes without saying that only particularly fine and exclusive materials are considered for the interior. Sumptuous leather is complemented by exotic woods, such as Amboyna, while the superbly finished trim elements lend their own unique and timeless appeal to the passenger cabin.

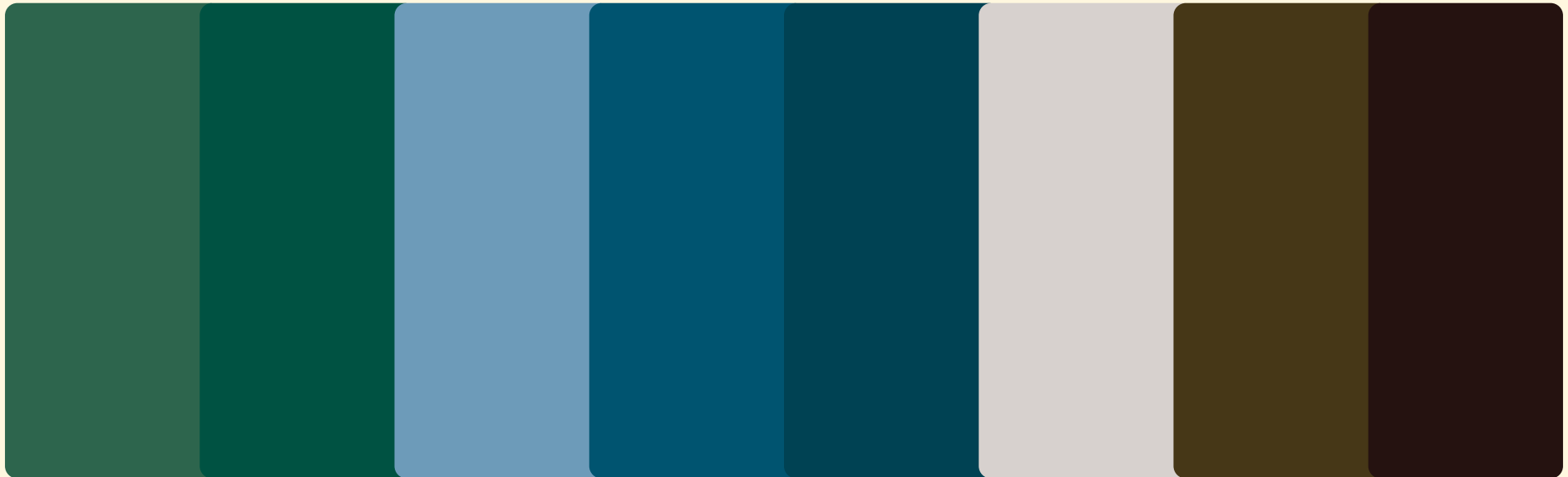
It is not enough to select the finest materials. Only through exacting craftsmanship can their true potential be unlocked to create a unique, entirely personal ambience to satisfy even the most demanding tastes. Production in the Maybach Manufaktur assures a level of quality that sets new standards among the car's peers.

INDIVIDUALIZATION

You can choose a single color for your Maybach, or combine two for a two-tone scheme. Please contact your Maybach Relationship Manager to discuss applying a custom color to your specification. With 17 paints available, a great many combinations are possible.

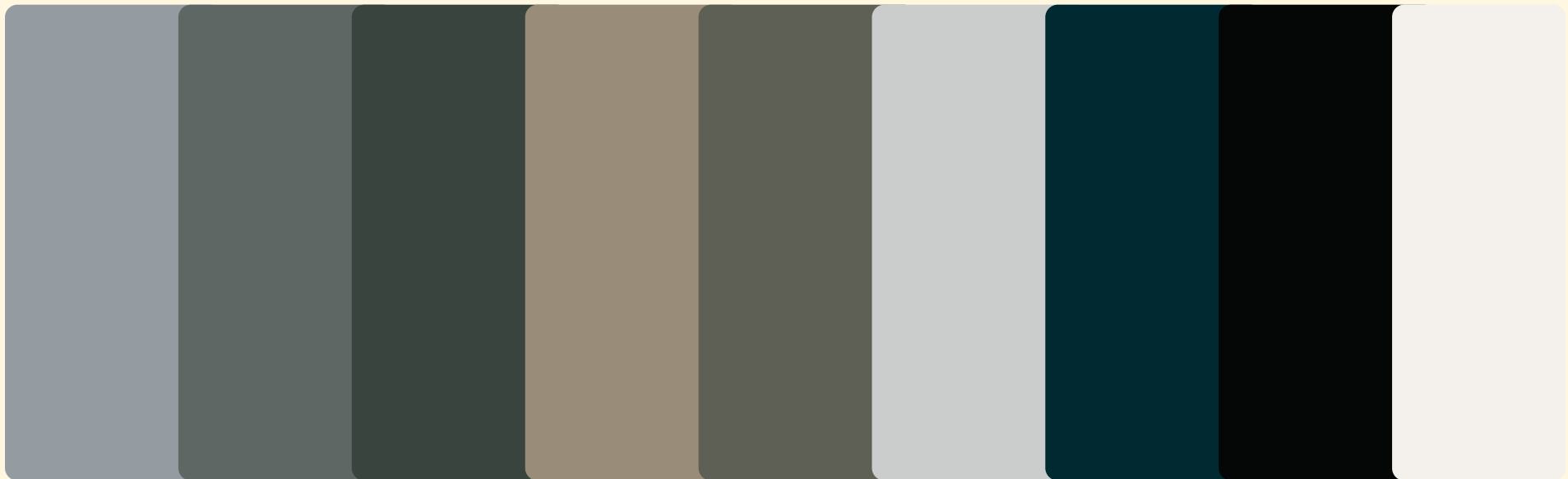
PAINTWORK

IRELAND		CÔTE D'AZUR			ROCKY MOUNTAINS		AYERS ROCK
Medium Green 886	Dark Green 808	Light Blue 385	Medium Blue 367	Dark Blue 947	Light Brown 697	Dark Brown 491	Red 588



PAINTWORK

HIMALAYAS			TEIDE		NAYARITE	CASPI	LANZAROTE	ALASKA
Light Grey 770	Medium Grey 756	Dark Grey 725	Light Grey 773	Medium Grey 781	Silver 766	Black 972	Chromaflair 975	White 780



INDIVIDUALIZATION

The interior of the Maybach abounds in fine materials: beautifully worked leather of the highest quality, select woods and the finest chrome detailing – the pinnacle of automotive exclusivity. You can sense it just by looking at it, touching the diverse textures and breathing the aroma of the rich materials. The many different paint finishes, woods and leather appointments available can be combined in an almost infinite number of ways to meet each customer's preference.

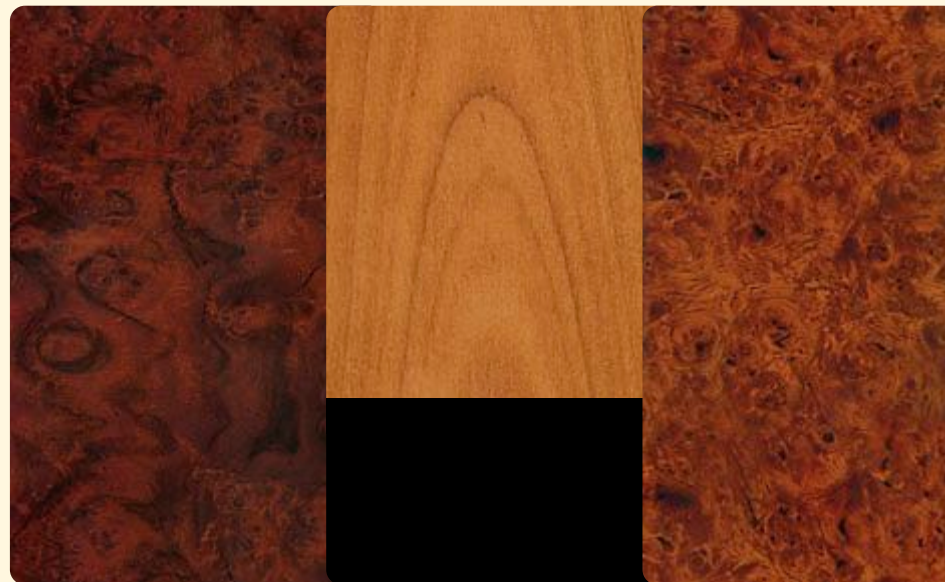
INTERIOR COLORS

Labrador Anthracite 531	Maldives Blue 532	California Beige 534	Maui Pearl 535	Barrier Reef Red 537	Galapagos Grey 538
-------------------------	-------------------	----------------------	----------------	----------------------	--------------------



WOOD

Burl walnut 731	Cherry with black piano lacquer 737	Amboyna 738
-----------------	--	-------------



MAYBACH SERVICE

MANY WILL ADMIRE YOUR MAYBACH PASSING BY.
ONE WILL BE THERE ALWAYS

The Maybach approach to sales, service and support is also entirely new. We know that Maybach owners want a particular kind of relationship with us: a close, individual relationship built on trust; one that provides them with a single point of contact capable of addressing their every need. No matter how unusual a request or an idea might be, we consider them all.*

*In the United States of America only, please contact 1-866-FOR-MAYBACH to locate a Maybach Studio.

YOUR MAYBACH RELATIONSHIP MANAGER

As a Maybach customer, you will be assigned a Maybach Relationship Manager at your preferred dealership. Each Maybach Relationship Manager is fully trained, qualified and dedicated to looking after all your interests relating to your vehicle. He or she is also empowered to handle a wide variety of your requests, from initial color, trim and option consultation through delivery and subsequent service arrangements.

MAYBACH CENTER OF EXCELLENCE

If you require additional consultation about your Maybach equipment, options or color choices, your dealer will be happy to engage the services of our Center of Excellence in Sindelfingen, Germany – the headquarters and manufacturing facility for Maybach Manufaktur. At the Center of Excellence, you may consult with a variety of designers, craftsmen and engineers by appointment to address your questions. Other services are also available from the Center of Excellence. Ask your Maybach Relationship Manager for details.

MAYBACH SERVICE

Your Maybach dealership will also be your primary service facility. Specially trained and qualified experts will handle all your service needs using dedicated Maybach service tools, parts, equipment and facilities. Your Maybach Relationship Manager can provide more information on the “white glove” approach we take with each and every Maybach maintenance or service issue.

MAYBACH STANDARDS

TECHNOLOGY WITH THE POWER TO MOVE YOU

BRAKES AND HANDLING SYSTEMS

Instead of the traditional mechanical/hydraulic brake system, the Maybach is equipped with an electrohydraulic system known as Sensotronic Brake Control (SBC™). This system has two central control units – a design feature which has significant advantages with regard to the division of the brake circuits. The key benefit of this system is that it is able to modulate the brake pressure required for each individual wheel with greater precision and deliver it more quickly. This means that this advanced brake system can respond more appropriately to the driving situation to provide the optimum braking effect. Sensotronic Brake Control also enhances the operation of important safety-related dynamic handling systems such as the Electronic Stability Program (ESP®) and ABS/BAS, which for instance sense the onset of skidding and automatically intervene to stabilize the vehicle. And SBC™ also helps to make braking smoother.

CHASSIS – AIRMATIC DUAL CONTROL

The Maybach is equipped with the latest chassis technology which includes independent double wishbone front suspension and independent multilink rear suspension, as well as AIRMATIC Dual Control air suspension. AIRMATIC DC features air springs complemented by an additional spring-rate adjustment system

and also includes adaptive damping with integrated level control. As a result, the vehicle occupants are able to enjoy a ride quality of unprecedented smoothness.

INTELLIGENT BI-XENON HEADLAMPS

Bi-xenon is an innovative headlamp technology in which both the low and main beam are produced by powerful xenon gas discharge lamps. The additionally integrated active light function can enhance the illumination of curves in the road by up to 90 percent, since the bi-xenon modules swivel as a function of the car's steering angle, speed and rate of turn. At the same time, the dynamic headlamp range adjustment changes the angle of the headlamp beams to compensate any pitching movements. When the car turns a corner at speeds up to 30 km/h the cornering light function of the headlamp unit on the inner side is automatically switched on.

MODULAR ROOF SYSTEM

The Maybach is available with an electric tilting/sliding sunroof made from 6-mm laminated glass and installed over the front cabin of the Maybach 57 or the rear cabin of the Maybach 62. Both models can also be specified without this feature.

PARKTRONIC

PARKTRONIC makes maneuvering into parking spaces easier. LEDs show the driver how close the car is to a detected obstacle and an audible signal provides an additional warning.

PASSIVE SAFETY

The newly developed body features a crash-optimized passenger compartment that sets new standards in terms of geometry and the thickness and quality of the materials used. Moreover, a sophisticated sensor system in the Maybach is used to detect the type and severity of an accident. The weight of the front passenger, for instance, is registered by a special foil in the seat cushion (occupant classification), while two sensors at the front of the car help to determine how severe a crash is, and how the vehicle's safety systems will respond. The Maybach also has a two-stage, situation-dependent triggering system for the driver and front passenger airbags. All four seats are equipped with three-point seat belts enhanced by high-performance tensioning retractors, belt-force limiters and comfort-fit mechanisms. The upper belt sash guide is built into the seatback. Side airbags in the seatbacks, plus separate curtain airbags for all seats give the occupants added protection. The reclining seats in the Maybach 62 are also fitted with crash-responsive seatbacks.

KEYLESS-GO¹

The Maybach can also be unlocked by touching the door handle when you carry the electronic key with you. There's no need to insert a key to start the engine – just push the button on the gearshift lever and the Type 12 powerplant comes to life.

AUTOMATIC CLIMATE CONTROL

Every Maybach has two climate control systems: one for the front compartment and one for the rear. Each can be programmed and operated independently. The high-performance climate control system not only delivers the ideal temperature very efficiently but also responds extremely quickly when the settings are changed. The four-zone system allows different temperature, blower speed and air distribution settings to be programmed for each occupant. A specially designed ventilation system around the side windows provides added comfort when outside temperatures are particularly high or low. A solar sensor automatically makes the necessary temperature adjustments. The system is, of course, equipped with a dust filter and an activated charcoal filter with smog sensor and automatic recirculation control.

RIDE COMFORT

Both the front and rear seats in the Maybach are masterpieces of comfort technology. All the seats are heated. The shoulder belts automatically adjust to the height of the driver or passenger, which helps to enhance their protective capability. The seats are upholstered in Grand Nappa leather and feature multicontour seatbacks with dynamic lumbar supports. All the seats are electrically adjustable for fore/aft, height, seatback and cushion angle, cushion length and head restraint height. The Maybach 62 exclusively offers extending and reclining rear seats fit for a private jet. To protect from the sun and guard from the gazes of strangers, the Maybach features rear high-grade fabric window curtains that can be operated from all four seats.

MULTIMEDIA

Maybach occupants enjoy the convenience of audio, video, phone and navigation systems as standard equipment. Installed in the front center console, the COMAND unit manages the functions of the radio, DVD, and front telephone, as well as the navigation system and other services. Rear passengers can control specific audio and video systems using a remote control. The driver can also control the communication systems by voice, keeping both hands on the steering wheel for safety.

BOSE® SURROUND EVERYWHERE™ SOUND SYSTEM (DOLBY DIGITAL)

Twenty-one speakers and a maximum output of 600 watts help create a unique surround-sound experience inside the Maybach. The DRO (dynamic range optimization) system uses a microphone inside the car to sense variations in the ambient sound level and corrects the audio output automatically.

ELECTRIC DOOR CLOSING

Up to an opening angle of 85 degrees, the rear doors of the Maybach 62 can be closed at the touch of a button from inside.

¹Not available in all countries

MAYBACH OPTIONS

THERE'S EVEN A PLACE FOR YOUR CHAMPAGNE IN THE MAYBACH

ELECTROTRANSPARENT PANORAMIC GLASS ROOF

One of the most spectacular innovations is the panoramic glass roof for the Maybach 62. It consists of a glass surface which appears to be continuous when viewed from the exterior, extending from the windshield to the rear window. The front section of the roof is equipped with solar cells, while a second, electrotransparent panel is installed under the exterior glass roof above the rear-seat area. This panel, which admits an exceptionally high level of daylight to the interior, can be rendered opaque in an instant at the touch of a button. Transparency is restored in the same way. An electrically operated sliding roof liner situated between the inner and outer roof panels functions as a blind and becomes luminescent when an electrical current is applied to it. A dimming control in the rear center console allows the light intensity to be adjusted.

DISTRONIC¹

In the Maybach an electronic system helps you maintain the desired distance to the vehicle in front. DISTRONIC shows the driver just what that distance is on the display. If the gap narrows, the car is automatically braked; if the gap widens, the car accelerates up to the set speed.

If harder braking is needed, a visual and acoustic warning prompts the driver to take action accordingly.

PARTITION SCREEN²

The Maybach 62 can be equipped with an optional partition in the area of the B-pillars which completely separates the front and rear sections of the passenger compartment. An electrotransparent glass panel ensures extra privacy in the rear compartment when required. Vehicles with the partition are automatically equipped with an intercom.

REAR REFRIGERATOR

Installed in the rear center console and equipped with its own compressor, the thermostatically controlled refrigerator a no-cost option allows passengers to enjoy chilled drinks or food.

FOLDING TABLES

Both rear seats in the Maybach 57 can be optionally equipped with individual folding tables featuring continuous fore-aft and tilt adjustment. When not in use, the two-part tabletop

can be folded together and stowed away. The folding tables are included as standard equipment in the Maybach 62.

CLIMATIZED SEATS

The front and rear seats feature an efficient heating system that can be optionally augmented by active seat ventilation. When so equipped, 10 miniature fans in the seatback and seat cushion ensure comfortable seating even on the hottest days and the longest trips.

INDIVIDUAL REAR CENTER SEAT

As an optional extra, you can request a third rear seat in place of the rear center console³.

¹Not available in all countries

²Please note that versions may differ from country to country

³If the rear center seat is fitted, the rear-seat refrigerator option is not possible and certain rear-cabin controls are relocated

MAYBACH ¹	World Version	US Version
No. of cylinders/arrangement	12/V	12/V
Bore/stroke (mm)	82.0 x 87.0	82.0 x 87.0
Cubic capacity (cc)	5513	5513
Rated output ²	405 kW at 5250 rpm	543 hp at 5250 rpm
Rated torque ²	900 Nm at 2200–3000 rpm	664 lb. ft. at 2200–3000 rpm
Compression ratio	9.0:1	9.0:1
Acceleration 0–100 km/h (s)	5.2/5.4	5.2/5.4
Top speed, approx. ³	250 km/h	155 mph
Tire size	275/50 R 19	275/50 R 19
Fuel consumption ⁴ – Urban cycle	24.5 liters/100 km	9.6 mpg
Extra-urban cycle	11.0 liters/100 km	21.4 mpg
Combined	15.9 liters/100 km	14.8 mpg
CO ₂ emission ⁴ , combined	383 g/km	238 g/mi
Fuel tank capacity/incl. reserve	110/14 liters	29/3.7 gal
Curb weight ⁵	2735 kg/2855 kg	6030 lbs/6294 lbs
Perm. gross weight	3260 kg/3380 kg	7187 lbs/7451 lbs
Trunk capacity	605 liters	21.4 cubic feet

¹Secondary figures apply to the Maybach 62

²Figures in accordance with Directive 80/12/EEC, in the currently applicable version

³Electronically governed

⁴The figures shown were obtained in accordance with the prescribed measuring process (Directive 80/1268/EEC in the currently applicable version).

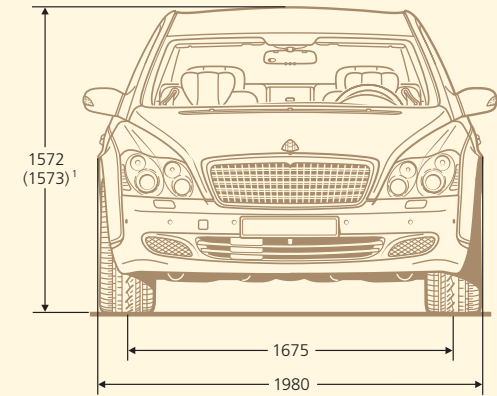
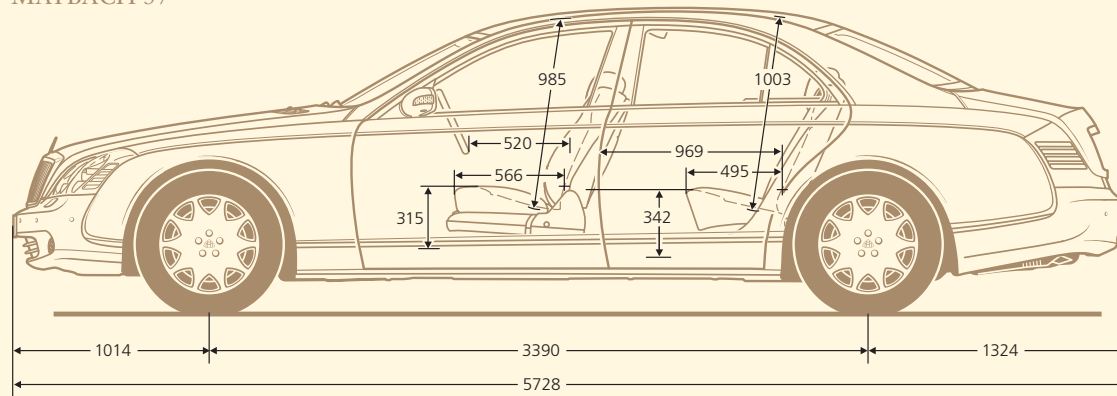
The figures are not based on an individual vehicle and do not constitute part of the product offer; they are provided solely for purposes of comparison between different vehicle models. Stated rates of acceleration and top speed are based upon manufacturer's track results and may vary depending upon model, environmental and road surface conditions, driving style, elevation and vehicle load. Please obey applicable speed limits

⁵Figures according to Directive 92/21/EC, version 95/48/EC (curb weight with fuel tank 90 % full, driver, 68 kg, and luggage, 7 kg)

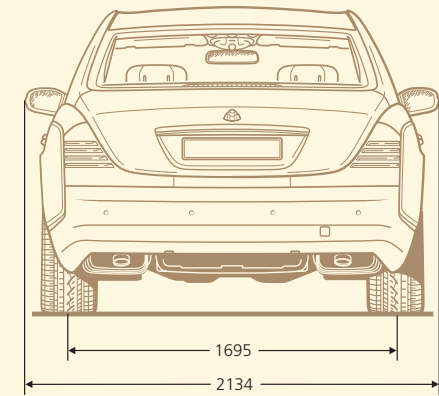
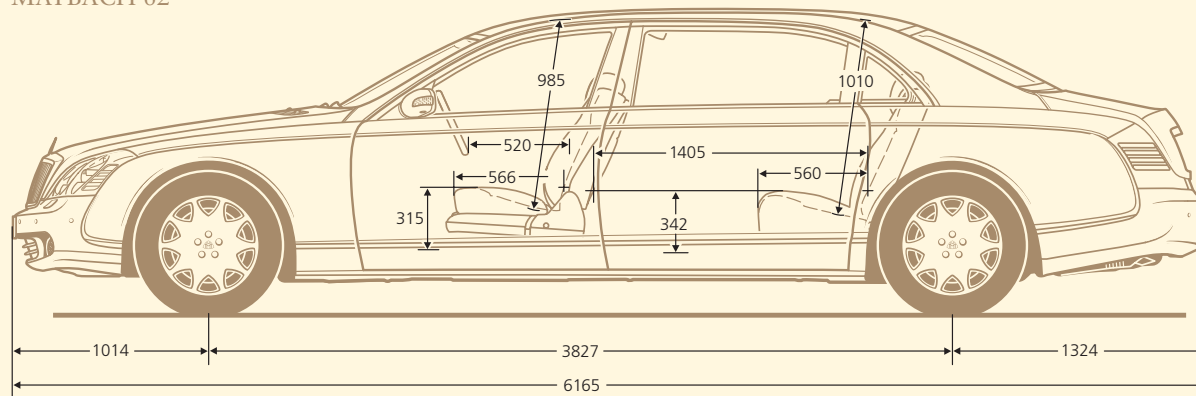
for standard-specification vehicles. Optional extras and accessories will generally increase this figure and reduce the payload capacity accordingly

TECHNICAL DATA – WORLD VERSION

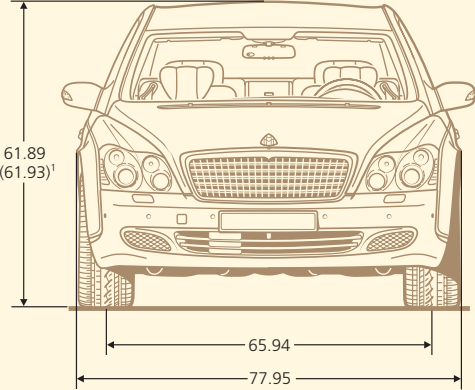
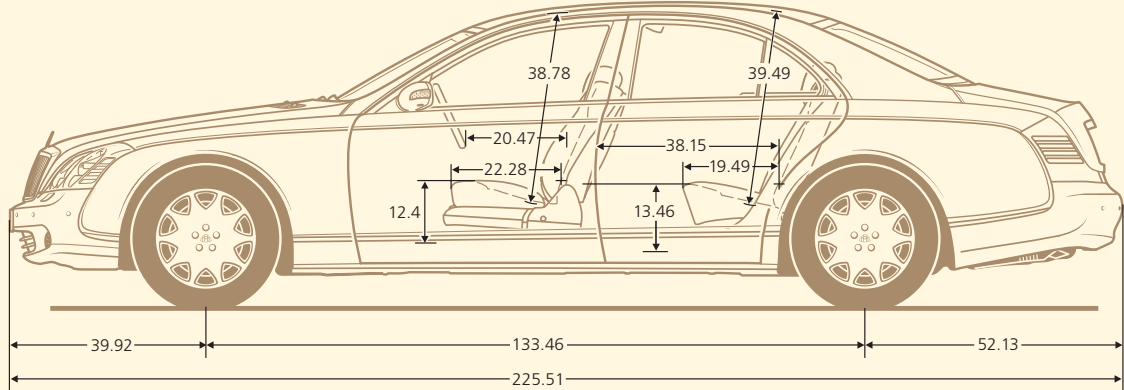
MAYBACH 57



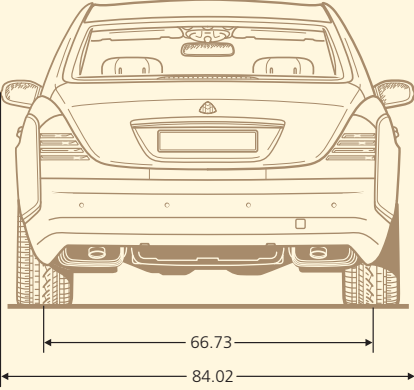
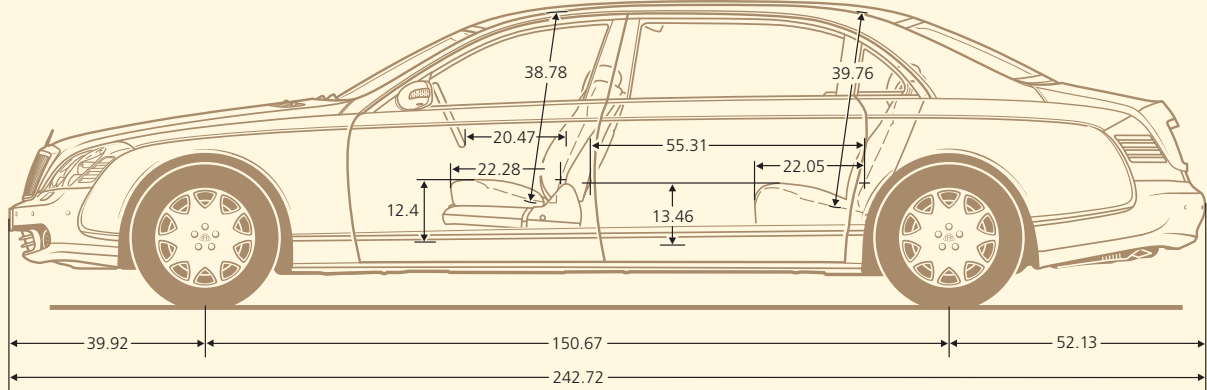
MAYBACH 62



MAYBACH 57



MAYBACH 62



¹Figures in brackets apply to the Maybach 62





World Version:

Please note: changes may have been made to the product since this brochure went to press (11.01.2008). The manufacturer reserves the right to make changes to the design, form, colour and specification during the delivery period, provided these changes, while taking into account the interests of the vendor, can be deemed reasonable with respect to the purchaser. Where the vendor or the manufacturer uses symbols or numbers to describe an order or the subject of an order, no rights may be derived solely from these. The illustrations may show accessories and items of optional equipment which are not part of standard specification. Colours may differ slightly from those shown in the brochure, owing to the limitations of the printing process. This brochure has been compiled by Daimler AG of Germany and is distributed internationally. It provides a general indication of the range of models, features, optional extras and/or colours available in various countries. Some of the models, features, optional extras and/or colours shown may not be available in your country or may only be available in a different specification. Additionally some models, features, optional extras and/or colours may only be available in combination with others. For current and more specific information in relation to the range of models, features, optional extras and/or colours available in your country, and their pricing, you should contact your Maybach Personal Liaison Manager.

Maybach is a registered brand of Daimler AG.

© 2008 Copyright by Daimler AG, Stuttgart (Germany). All rights reserved.

Daimler AG, Stuttgart BC/MC 6701 · 2008 · 13-02/0208 Printed in Germany

www.maybach-manufaktur.com

US Version:

Maybach Assistance Center

Three Paragon Drive

Montvale, NJ 07645

1-866-FOR-MAYBACH

maybach-manufaktur.com

Mercedes-Benz USA, LLC, A Daimler Company/8

Marketing Communications MC-04-627

All illustrations and specifications contained in this brochure are based on the latest product information available at the time of publication. Mercedes-Benz USA, LLC, reserves the right to make changes at any time, without notice, in colors, materials, equipment, specifications and models.

Any variations in colors shown are due to reproduction variations of the printing process. Illustrations may include test situations.

Some vehicles are shown with non-U.S. equipment. Some vehicles are shown with optional equipment.

Maybach is a registered brand of Daimler AG.

© 2008 Copyright by Daimler AG, Stuttgart (Germany). All rights reserved.

Daimler AG, Stuttgart BC/MC 6701 · 2008 · 13-02/0208 Printed in Germany

www.maybach-manufaktur.com

