

**BMW 6 Series**  
Coupé  
Cabriolet



The Ultimate  
Driving Experience.®

650i





**Freedom begins in the mind.  
We've made sure that it doesn't end on the road.**

**The real reason the earth rotates around the sun.**



**Who says the BMW 6 Series has no substitute?**

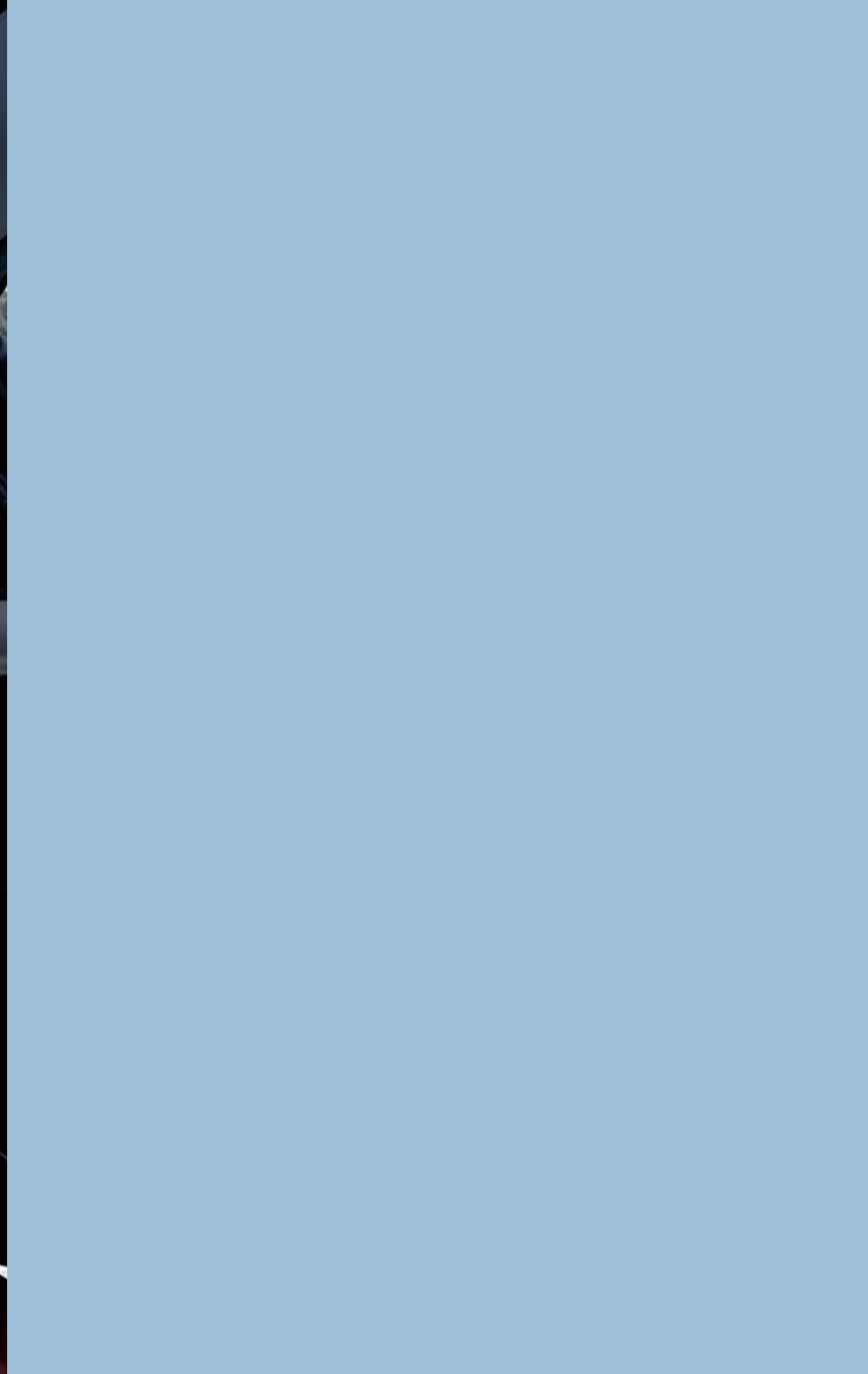




**Always submit to temptation. You never  
know if you'll get a second chance.**









## Equipment.



■ **Xenon headlights for low and high beam**, with automatic headlight range control. The sophisticated light system ensures much better illumination of the road ahead and to the side. The ellipsoid light technology offers a very high standard of light intensity and a very smooth, consistent spread of light on the road.

■ **Adaptive Headlights** illuminate curves ahead by electromechanical control of the moving headlights as soon as the driver turns the steering wheel.



■ **Foglights** integrated in the front air dam provide extra safety in bad weather and situations of poor visibility. Ellipsoid free-form technology ensures a very homogeneous spread of light on to the road.



■ **Headlight cleaning system** helps keep lights clean of ice, mud, road salt and other coatings for maximum road illumination and enhanced driving safety.



■ **Side indicator lights** lend the profile a note of individuality.



■ **Adaptive Brakelights** help following drivers to judge your braking situation. Under light braking force, the lower three rows of long-life LEDs in the rear light unit illuminate in red. Under full braking force, the two upper rows of LEDs also illuminate, and the optical strips are activated, generating especially bright braking light.

## Equipment.



**High-gloss Shadow Line** surrounds the edging of the side windows and the window recess finishers.



■ **Radial Spoke alloy wheels** - Style 118, 18 x 8.0, 245/45R-18, front and rear. (Available only on the Cabriolet.)



■ **Double Spoke alloy wheels** - Style 120, 18 x 8.0 front, 245/45R-18, 18 x 9.0 rear, 275/40R-18. (Available only on the Coupé.)



**Ellipsoid alloy wheels** - Style 121, 19 x 8.5 front, 245/40R-19, 19 x 9.0 rear, 275/35R-19.



■ **Door handles** in body colour.



**Star Spoke alloy wheels** - Style 218, 19 x 8.5 front, 245/40R-19, 19 x 9.0 rear, 275/35R-19.

■ Standard equipment    Optional equipment

## Standard Equipment | Optional Equipment

Safety	650i Coupé	650i Cabriolet
<b>Adaptive Headlights</b>	■	■
<b>Additional direction indicators</b> in side panel front	■	■
<b>Airbags:</b>		
– Active knee protection system, front	■	■
– Advanced Head Protection System (HPS) for driver and front passenger	■	–
– Driver and front passenger Impact-Dependent (ID) airbag system; seat occupancy detector for front passenger airbag	■	■
– Side airbags for driver and front passenger	■	■
<b>Alarm system</b> with radio remote control	■	■
<b>Anti-lock Brake System (ABS)</b>	■	■
<b>Battery Safety Terminal (BST)</b>	■	■
<b>Brake-Force Display</b>	■	■
<b>Brakes:</b>		
– Disc brakes in the front, inner-vented	■	■
– Disc brakes in the rear, inner-vented	■	■
<b>Bumper system</b> , with interchangeable crumple zones, front and rear, and reversible impact absorbers in the front	■	■
<b>Central locking</b> , locks doors, tailgate, fuel cap and centre console	■	■
<b>Centre lock switch</b>	■	■
<b>Dynamic Stability Control (DSC)</b> , ABS, DBC, DTC and with extended functionality	■	■
<b>Foglights</b>	■	■
<b>Headlight cleaning system</b>	■	■
<b>Light-alloy wheels</b> with run-flat tires	■	■
<b>Park Distance Control (PDC)</b> , front and rear, with acoustic and optical indicator	□	□
<b>Radio remote control</b> for central locking	■	■
<b>Rain sensor</b> (includes Automatic headlights), windshield wiper control and condensation sensor	■	■
<b>Rollover safety system</b> (reinforced A-pillars and upper windscreen frame, rollover bars integrated in rear headrests)	–	■
<b>Run-flat indicator</b>	■	■
<b>Seatbelts:</b>		
– Inertia-reel seatbelts in the front with pyrotechnical belt latch tensioner, adaptive belt force governor and belt restraint	■	–
– Integrated seatbelt system with inertia-reel seatbelts in the front, pyrotechnical belt latch tensioner, adaptive belt force governor and belt restraint	–	■
– Rear seatbelt system with three-point inertia-reel seatbelts and terminal position tensioner	■	■
<b>Side impact protection</b>	■	■
<b>Xenon headlights</b> for low and high beam, incl. automatic headlight range control	■	■

## Standard Equipment | Optional Equipment

Engine	650i Coupé	650i Cabriolet
8-cylinder V-engine with four-valve technology	■	■
Cylinder-specific knock control	■	■
Digital Motor Electronics (DME)	■	■
Double-flow exhaust system	■	■
Double-VANOS	■	■
Light-alloy cylinder head	■	■
Light-alloy engine block	■	■
Multi-stage intake system	■	■
On-board diagnosis	■	■
Three-way catalytic converter, heated oxygen sensor, activated carbon filter, fully controlled tank purge	■	■
Valvetronic	■	■
<b>Transmission/Suspension</b>		
6-speed automatic transmission with STEPTRONIC	□	□
6-speed manual transmission	■	■
Active Steering, speed-dependent, variable steering transmission	□	□
Aluminum double-joint spring-strut front axle	■	■
Aluminum integral rear axle	■	■
Anti-roll bars, front and rear	■	■
Driving Dynamic Control (sports mode)	■	■
Dynamic Drive	■	■
SERVOTRONIC	■	■
Sport suspension	■	■
<b>Interior Features</b>		
Active Cruise Control	□	□
Armrest in the front, two height positions	■	■
Auto-dimming rear-view mirror	■	■
Automatic air conditioning with extra features	■	■
Controller on centre console	■	■

## Standard Equipment | Optional Equipment

Interior Features	650i Coupé	650i Cabriolet
<b>Control Display:</b>		
– 8.8-inch colour screen (in combination with Navigation System Professional)	■	■
<b>Courtesy lights</b> , with automatic function and soft on/off dimming	■	■
<b>Cruise Control</b>	■	■
<b>Cup holders</b> , front and rear	■	■
<b>Digital clock</b>	■	■
<b>External temperature gauge</b>	■	■
<b>Floor mats in velour</b>	■	■
<b>Glass rear window</b> , vertical position, can be raised and retracted independently of softtop	–	■
<b>Glass sunroof</b> , electric	■	–
<b>Head-Up Display</b>	□	□
<b>Heat-insulating glass all round</b> , green, with laminated windscreen	■	■
<b>Indirect illumination</b> , front, and exit lights	■	■
<b>Info Display in the dashboard</b> , chrome rings for the speedometer and rev counter (with variable rpm pre-warning field); fuel level gauge and oil temperature gauge	■	■
<b>Locking illuminated glovebox</b>	■	■
<b>Interior Trim:</b>		
– Birch Grain Dark	□	□
– Birch Grain Light	□	□
– Ruthenium	■	■
<b>Light package</b> , incl. vicinity lighting in the exterior mirrors, entry strips on the entry panels with illuminated BMW lettering, map compartment light and illuminated door handles	■	■
<b>Luggage compartment:</b>		
– load capacity approx. 350 litres	–	■
– load capacity approx. 450 litres	■	–
<b>Multi-function leather sport steering wheel</b>	■	■
<b>Navigation System</b> , with 8.8-inch colour screen, BMW Professional radio and voice recognition	■	■
<b>On-board computer</b> , incl. Check Control in the Info Display	■	■
<b>Radio/audio:</b>		
– BMW Business CD, AM/FM stereo with RDS and anti-theft	■	■
– CD Changer, 6-disc	□	□
– Harmon Kardon LOGIC7 sound system with 11 speakers, incl. 2 subwoofers	–	□
– Harmon Kardon LOGIC7 sound system with 13 speakers, incl. 2 subwoofers	□	–
– HiFi sound system with 8 speakers, incl. 2 subwoofers	■	■

## Standard Equipment | Optional Equipment

Interior Features	650i Coupé	650i Cabriolet
<b>Reading lights for driver and front passenger</b>	■	■
<b>Seats/Seat comfort:</b>		
– Comfort entry in the rear	■	■
– Lumbar support for driver and front passenger, electrically adjustable	■	■
– Rear-seat bench, with two single-seat forms	■	■
– Seats, electrically adjustable, incl. memory function for driver's seat	■	■
– Seat heating for driver and passenger	■	■
– Sport seats for driver (incl. memory function) and front passenger, electrically adjustable, incl. lumbar support	□	□
<b>Service requirement display in info unit</b>	■	■
<b>Ski bag</b>	□	□
<b>Softtop:</b>		
– Finned rooftop, fully automatic	–	■
– Softtop compartment, variable	–	■
<b>Steering wheel column adjustment</b> , electric, length/height adjustment, incl. memory	■	■
<b>Storage compartments in centre console</b> , front and rear, door trim, dashboard	■	■
<b>Telephone and BMW Assist preparation</b> , incl. Bluetooth interface and one year of BMW Safety and Security Services	■	■
<b>Upholstery:</b>		
– Dakota Leather	■	■
– Pearl Leather, extended	□	□
<b>Vanity mirror</b> , illuminated, with slide covers, for driver and front passenger	■	■
<b>Vehicle/Key Memory</b>	■	■
<b>Voice input system</b>	■	■
<b>Warning triangle and first-aid kit</b>	■	■
<b>Wind deflector</b>	–	□
<b>Window lifts</b> , electric, push/pull fingertip control, incl. one-touch function	■	■

## Standard Equipment | Optional Equipment

Exterior Features	650i Coupé	650i Cabriolet
Auto-dimming exterior mirror with fold-in function	■	■
Bumpers and exterior mirrors in body colour	■	■
Exterior mirrors, electrically adjustable, heated, aspheric design	■	■
Front grille with edging and kidney slats in chrome	■	■
High-gloss Shadow Line	□	□
Metallic paintwork	■	■
Outside door handles in body colour	■	■
Trunk lid opens via remote control key	■	■
Tailpipes, left and right, in chrome	■	■
Twin horns	■	■
Wheel security nuts	■	■
<b>Wheels:</b>		
– Double Spoke alloy wheels - Style 120, 18 x 8.0 front, 245/45R-18, 18 x 9.0 rear, 275/40R-18	■	–
– Ellipsoid alloy wheels - Style 121, 19 x 8.5 front, 245/40R-19, 19 x 9.0 rear, 275/35R-19	□	□
– Radial Spoke alloy wheels - Style 118, 18 x 8.0, 245/45R-18	–	■
– Star Spoke alloy wheels - Style 218, 19 x 8.5 front, 245/40R-19, 19 x 9.0 rear, 275/35R-19.	□	□
Window recess finisher and window frame in chrome	■	■
Windscreen washer jets (chrome-plated) on engine compartment lid, heated	■	■
<b>Executive Package</b>		
19" Star Spoke alloy wheels - Style 218, Active Steering, High-gloss Shadow Line, LOGIC7 Hi-Fi Sound System, Park Distance Control, Six-Disc CD Changer, Sport seats	□	□

## Specifications | Technical Features

Dimensions		650i Coupé	650i Cabriolet
Length/width/height	mm	4831/1855/1373	4831/1855/1373
Wheel base	mm	2780	2780
Luggage compartment volume (roof open/closed)	L	450	300/350
<b>Weight</b>			
Unladen <sup>1</sup>	kg	1730	1940
Max. permissible	kg	2110	2290
Permitted load	kg	380	350
Permitted axle load front/rear	kg	1060/1130	1090/1260

■ Standard equipment □ Optional equipment – Not available <sup>1</sup>Figures are based on a 90% tank filling, driver's weight of 68 kg and 7 kg of luggage. Unladen weight applies to vehicles with standard equipment. Optional extras may increase these figures.

## Specifications | Technical Features

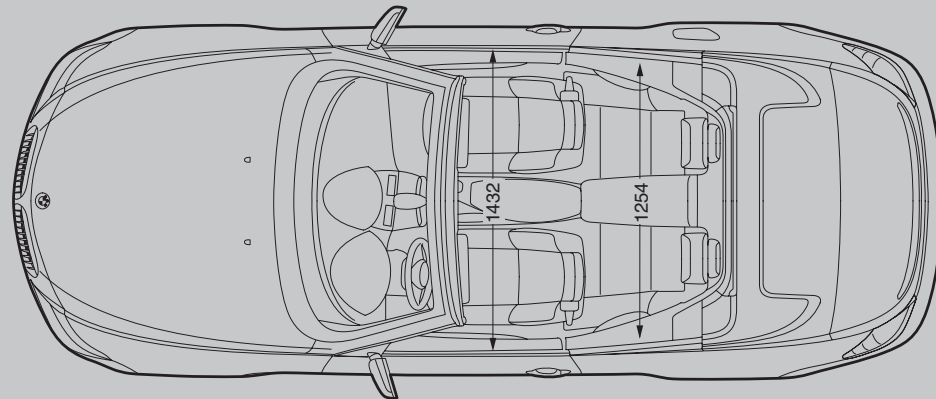
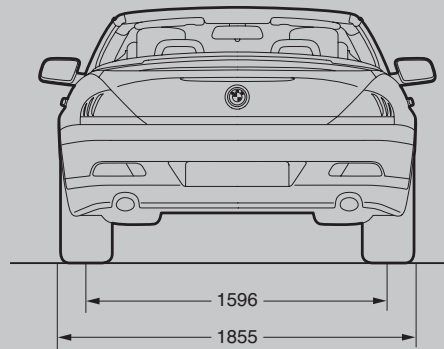
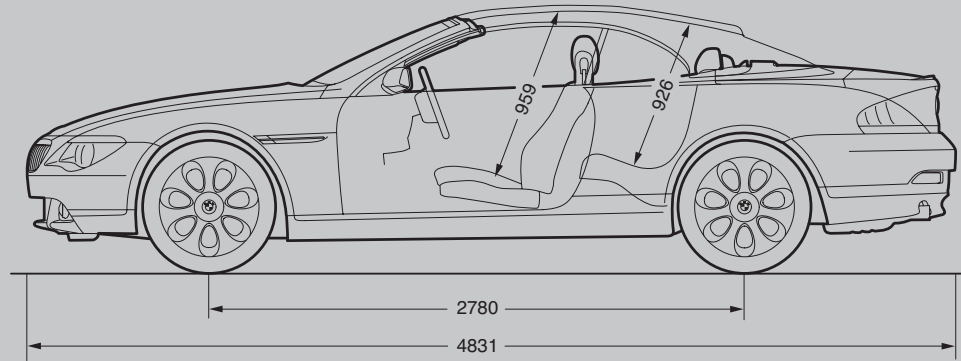
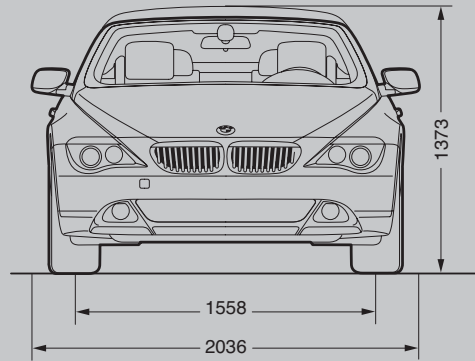
<b>Engine</b>		<b>650i Coupé</b>	<b>650i Cabriolet</b>
Cylinders/Valves		8/32	8/32
Capacity	cc	4799	4799
Bore/Stroke	mm	93.0/88.3	93.0/88.3
Max. output	hp/rpm	360/6300	360/6300
Max. torque	lb-ft/rpm	360/3400	360/3400
Compression ratio	:1	10.5	10.5
<b>Transmission</b>			
Standard transmission ratio	III/III:1	4.06/2.40/1.58	4.06/2.40/1.58
	IV/V/VI:1	1.19/1.00/0.87	1.19/1.00/0.87
	R:1	3.68	3.77
Final drive ratio	:1	3.23	3.46
<b>Fuel Consumption<sup>1</sup></b>			
City (man./auto.)	L/100km	tbd	tbd
Highway (man./auto.)	L/100km	tbd	tbd
Tank capacity, approx.	L	70	70
<b>Performance</b>			
Top speed <sup>2</sup>	km/h	240	240
Acceleration 0 – 100 km/h (man./auto.)	sec	5.5/5.6	5.8/5.9
<b>Wheels</b>			
Tire dimensions (front/rear)		245/45 R-18/275/40R-18	245/45R-18
Wheel dimensions (front/rear)		18 x 8.0/18 x 9.0	18 x 8.0
Material		Light-alloy	Light-alloy
<b>Electrical System</b>			
Battery capacity	Ah	110	110
Alternator output	Amps/Watts	170/2380	170/2380

<sup>1</sup> NR Can – estimated figures are for comparison purposes only. Your actual mileage will vary, depending on speed, driving habits, trip length and driving conditions; actual mileage will most likely be lower.

<sup>2</sup>Electronically limited.

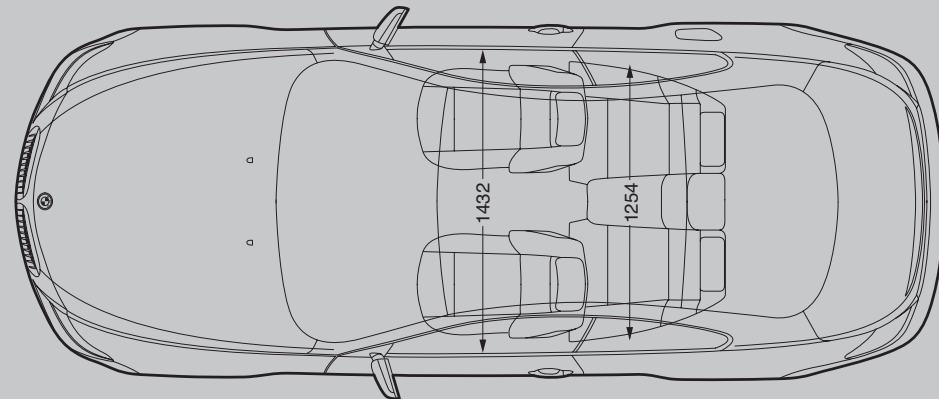
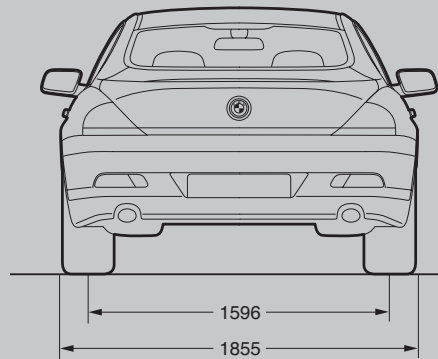
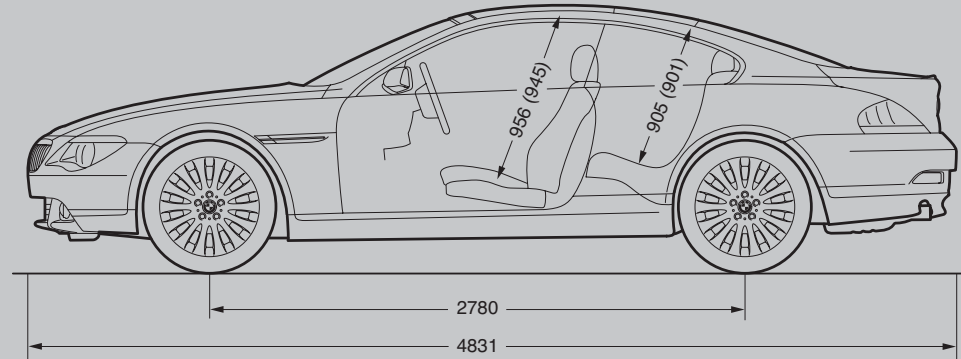
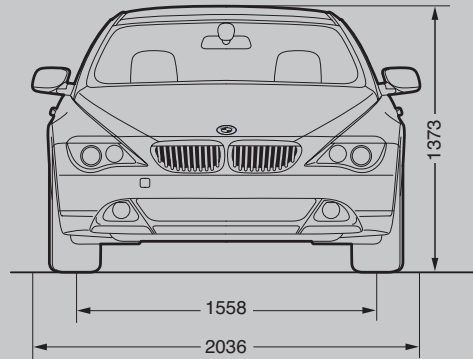


## 6 Series Cabriolet



All dimensions in the technical drawings are given in millimetres. Luggage compartment volume approx. 300 litres.  
(350 litres with raised softop compartment, VDA measurement.)

## 6 Series Coupé



All dimensions in the technical drawings are given in millimetres. Luggage compartment volume approx. 450 litres (VDA measurement). ( ) Measurement with glass roof.

Exclusive Canadian importer and distributor – BMW Canada Inc., Whitby, Ontario L1N 6K9. All specifications, standard features, accessories, equipment, options, fabrics and colours are based on product information available at the time of printing. BMW reserves the right to revise specifications at any time, without notice. Illustrations are representative only. BMW may determine the Model Year designation of its vehicles. Models may be shown with features, accessories, equipment, options, fabrics and/or colours not available in Canada, or available only at extra cost, or available only on particular models. While

BMW takes care to ensure that the information contained in this brochure is accurate, it cannot guarantee complete accuracy. BMW is not responsible for errors or omissions contained in this brochure. Further information about the products shown in this brochure can be obtained from your authorized BMW Retailer and at [www.BMW.ca](http://www.BMW.ca). Printed 09/2005.

©2005 BMW AG, Munich, Germany. Not to be reproduced wholly or in part without prior written permission of BMW AG, Germany. "BMW" and the BMW logo and BMW model designations are registered trademarks of BMW AG, used under licence.