

BMW 6 Series
Cabriolet
Coupé



**The Ultimate
Driving Experience.®**

650i





The real reason the earth rotates around the sun.



Freedom begins in the mind. We've made sure that it doesn't end on the road.





**Always submit to temptation. You never
know if you'll get a second chance.**







Equipment



■ **Xenon headlights for low and high beam**, with automatic headlight range control. The sophisticated light system ensures much better illumination of the road ahead and to the side. The ellipsoid light technology offers a very high standard of light intensity and a very smooth, consistent spread of light on the road.



■ **Adaptive Brake Lights** help following drivers to judge your braking situation. Under light braking force, the lower three rows of long-life LEDs in the rear light unit illuminate in red. Under full braking force, the two upper rows of LEDs also illuminate, and the optical strips are activated, generating especially bright braking light.



□ **Six-speed automatic transmission** with Steptronic® enables fast, smooth shifts for excellent driving dynamics and comfort.



■ **Six-speed manual transmission** makes for extremely dynamic driving. Smooth and optimally synchronized, it boasts precise, short shift throws. The more tightly graded transmission and additional sixth gear make the engine even more responsive to your personal style of driving.



■ **Navigation System** presents information in the dazzle-free Control Display, including the BMW Professional CD/ Radio. Driving information is provided by the voice computer, with further data added by the direction arrow or map.



□ **Park Distance Control (PDC)**, front and rear, uses ultrasonic sensors in the bumpers to help you judge the distance to the car and unseen objects when parking. The system provides both visual and acoustic feedback indicating the proximity of any obstacles.



■ **Automatic Climate Control** with Automatic Air Recirculation (AAR), solar and mist sensors, automatic temperature control and air distribution (separate for driver and passenger), as well as airflow control.



□ **CD Changer** for six CDs, integrated into the glove compartment.

■ Standard equipment □ Optional equipment

Equipment



Head-Up Display projects important information such as current speed directly into the driver's field of vision. Direction arrows from the NavigationSystem, ActiveCruiseControlfunctions and Check Control data can also be displayed.



Active Cruise Control enables comfortable driving at a pre-set speed. When driving intraffic, your BMW automatically adapts to the speed of a preceding vehicle and maintains a pre-set distance, allowing the driver to concentrate on surrounding traffic.



■ **Driving Dynamic Control**, with Sport Mode, can be activated with the touch of a button. Engine response to the accelerator becomes even more spontaneous and handling is crisper.



■ **Seatheating** for the driver and front passenger is a welcome feature in cooler weather. With the touch of a button you can individually select from three heat settings.



■ **Lumbar support** is electrically adjustable and provides the driver and front passenger with a high degree of seating comfort and effective spinal relief. The continuously variable air cushion system helps you adopt an orthopaedically correct seating position.



■ **Voice recognition system** for the telephone, navigation unit, notebook and telephone directory functions. Voice input helps the driver while on the road and ensures extra safety, superior comfort and easy control.



■ **Telephone and BMW Assist Preparation** enhances driving safety even further with Bluetooth technology; includes one year of BMW Assist Safety and Security Services at no extra charge. With the BMW Assist Safety and Security Package, you get access to Emergency Roadside Assistance service. Please see your local BMW Retailer for further details.



■ **Fully automatic softtop operation:** the open/close function occurs automatically at the touch of a button (when vehicle is stationary). The vertical rear window can be retracted independently of the softtop. The softtop can also be opened conveniently via the radio remote control.

■ Standard equipment Optional equipment

Standard equipment
 Optional equipment
 Not available

Safety	650i Coupé	650i Cabriolet
Adaptive Headlights	■	■
Additional direction indicators in side panel front	■	■
Airbags:		
– Active knee protection system, front	■	■
– Advanced Head Protection System (HPS) for driver and front passenger	■	—
– Driver and front passenger Impact-Dependent (ID) airbag system; seat occupancy detector for front passenger airbag	■	■
– Side airbags for driver and front passenger	■	■
Alarm system with radio remote control	■	■
Anti-lock Brake System (ABS)	■	■
Battery Safety Terminal (BST)	■	■
Brake-Force Display	■	■
Brakes:		
– Disc brakes in the front, inner-vented	■	■
– Disc brakes in the rear, inner-vented	■	■
Bumper system , with interchangeable crumple zones, front and rear, and reversible impact absorbers in the front	■	■
Central locking , locks doors, tailgate, fuel cap and centre console	■	■
Centre lock switch	■	■
Dynamic Stability Control (DSC) , ABS, DBC, DTC and with extended functionality	■	■
Foglights	■	■
Headlight cleaning system	■	■
Light-alloy wheels with run-flat tires	■	■
Park Distance Control (PDC) , front and rear, with acoustic and optical indicator	□	□
Radio remote control for central locking	■	■
Rain sensor (includes automatic headlights), windshield wiper control and condensation sensor	■	■
Rollover safety system (reinforced A-pillars and upper windshield frame, rollover bars integrated in rear headrests)	—	■
Run-flat indicator	■	■
Seatbelts:		
– Inertia-reel seatbelts in the front with pyrotechnical belt latch tensioner, adaptive belt force governor and belt restraint	■	—
– Integrated seatbelt system with inertia-reel seatbelts in the front, pyrotechnical belt latch tensioner, adaptive belt force governor and belt restraint	—	■
– Rear seatbelt system with three-point inertia-reel seatbelts and terminal position tensioner	■	■
Side impact protection	■	■
Xenon headlights for low and high beam, including automatic headlight range control	■	■

Standard equipment
 Optional equipment
 — Not available

Engine	650i Coupé	650i Cabriolet
8-cylinder V-engine with four-valve technology	■	■
Cylinder-specific knock control	■	■
Digital Motor Electronics (DME)	■	■
Double-flow exhaust system	■	■
Double-VANOS	■	■
Light-alloy cylinder head	■	■
Light-alloy engine block	■	■
Multi-stage intake system	■	■
On-board diagnosis	■	■
Three-way catalytic converter, heated oxygen sensor, activated carbon filter, fully controlled tank purge	■	■
Valvetronic	■	■

Transmission/Suspension	650i Coupé	650i Cabriolet
6-speed automatic transmission with Steptronic	□	□
6-speed manual transmission	■	■
Active Steering, speed-dependent, variable steering transmission	□	□
Aluminum double-joint spring-strut front axle	■	■
Aluminum integral rear axle	■	■
Anti-roll bars, front and rear	■	■
Driving Dynamic Control (sports mode)	■	■
Dynamic Drive	■	■
Servotronic	■	■
Sport suspension	■	■

Interior Features	650i Coupé	650i Cabriolet
Active Cruise Control	□	□
Armrest in the front, two height positions	■	■
Auto-dimming rear-view mirror	■	■
Automatic air conditioning with extra features	■	■
Control Display:		
— 8.8-inch colour screen (in combination with Navigation System)	■	■
Controller on centre console	■	■
Courtesy lights, with automatic function and soft on/off dimming	■	■

Standard equipment
 Optional equipment
 — Not available

Interior Features	650i Coupé	650i Cabriolet
Cruise Control	■	■
Cup holders , front and rear	■	■
Digital clock	■	■
External temperature gauge	■	■
Floormats in velour	■	■
Glass rear window , vertical position, can be raised and retracted independently of softtop	—	■
Glass sunroof , electric	■	—
Head-Up Display	□	□
Heat-insulating glass all round , green, with laminated windscreen	■	■
Indirect illumination , front, and exit lights	■	■
Info Display in the dashboard , chrome rings for the speedometer and rev counter (with variable rpm pre-warning field); fuel level gauge and oil temperature gauge	■	■
Locking illuminated glovebox	■	■
Interior Trim:		
— Birch Grain Dark	□	□
— Birch Grain Light	□	□
— Ruthenium	■	■
Light package , including vicinity lighting in the exterior mirrors, entry strips on the entry panels with illuminated BMW lettering, map compartment light and illuminated door handles	■	■
Luggage compartment:		
— load capacity approximately 350 litres	—	■
— load capacity approximately 450 litres	■	—
Multi-function leather sport steering wheel	■	■
Navigation System , with 8.8-inch colour screen, BMW Professional radio and voice recognition	■	■
On-board computer , including Check Control in the Info Display	■	■
Radio/Audio:		
— BMW Business CD, AM/FM stereo with RDS and anti-theft	■	■
— CD Changer, 6-disc	□	□
— Harmon Kardon LOGIC7 sound system with 11 speakers, including 2 subwoofers	—	□
— Harmon Kardon LOGIC7 sound system with 13 speakers, including 2 subwoofers	□	—
— HiFi sound system with 8 speakers, including 2 subwoofers	■	■
Reading lights for driver and front passenger	■	■

Standard equipment
 Optional equipment
 — Not available

Interior Features	650i Coupé	650i Cabriolet
Seats/Seat Comfort:		
– Comfort entry in the rear	■	■
– Lumbar support for driver and front passenger, electrically adjustable	■	■
– Rear-seat bench, with two single-seat forms	■	■
– Seats, electrically adjustable, including memory function for driver's seat	■	■
– Seat heating for driver and passenger	■	■
– Sport seats for driver (including memory function) and front passenger, electrically adjustable, including lumbar support	□	□
Service requirement display in info unit	■	■
Ski bag	□	□
Softtop:		
– Finned rooftop, fully automatic	—	■
– Softtop compartment, variable	—	■
Steering wheel column adjustment , electric, length/height adjustment, including memory	■	■
Storage compartments in centre console , front and rear, door trim, dashboard	■	■
Telephone and BMW Assist preparation , including Bluetooth interface and one year of BMW Safety and Security Services	■	■
Upholstery:		
– Dakota Leather	■	■
– Pearl Leather, extended	□	□
Vanity mirror , illuminated, with slide covers, for driver and front passenger	■	■
Vehicle/Key Memory	■	■
Voice input system	■	■
Warning triangle and first-aid kit	■	■
Wind deflector	—	□
Window lifts , electric, push/pull fingertip control, including one-touch function	■	■

Standard equipment
 Optional equipment
 — Not available

Exterior Features	650i Coupé	650i Cabriolet
Auto-dimming exterior mirror with fold-in function	■	■
Bumpers and exterior mirrors in body colour	■	■
Exterior mirrors, electrically adjustable, heated, aspheric design	■	■
Front grille with edging and kidney slats in chrome	■	■
High-gloss Shadow Line	□	□
Metallic paintwork	■	■
Outside door handles in body colour	■	■
Trunk lid opens via remote control key	■	■
Tailpipes, left and right, in chrome	■	■
Twin horns	■	■
Wheel security nuts	■	■
Wheels:		
– Double Spoke alloy wheels - Style 120, 18 x 8.0 front, 245/45R-18, 18 x 9.0 rear, 275/40R-18	■	—
– Ellipsoid alloy wheels - Style 121, 19 x 8.5 front, 245/40R-19, 19 x 9.0 rear, 275/35R-19	□	□
– Radial Spoke alloy wheels - Style 118, 18 x 8.0, 245/45R-18	—	■
– Star Spoke alloy wheels - Style 218, 19 x 8.5 front, 245/40R-19, 19 x 9.0 rear, 275/35R-19.	□	□
Window recess finisher and window frame in chrome	■	■
Windscreen washer jets (chrome-plated) on engine compartment lid, heated	■	■

Executive Package	650i Coupé	650i Cabriolet
19" Star Spoke alloy wheels – Style 218, Active Steering, High-gloss Shadow Line, LOGIC7 sound system, Park Distance Control, 6-disc CD Changer, Sport seats	□	□

Technical data

Dimensions		650i Coupé	650i Cabriolet
Length/width/height	mm	4831/1855/1373	4831/1855/1373
Wheel base	mm	2780	2780
Luggage compartment volume (roof open/closed)	L	450	300/350

Weight		650i Coupé	650i Cabriolet
Unladen ¹	kg	1730	1940
Max. permissible	kg	2110	2290
Permitted load	kg	380	350
Permitted axle load front/rear	kg	1060/1130	1090/1260

Engine		650i Coupé	650i Cabriolet
Cylinders/Valves		8/32	8/32
Capacity	cc	4799	4799
Bore/Stroke	mm	93.0/88.3	93.0/88.3
Max. output	hp/rpm	360/6300	360/6300
Max. torque	lb-ft/rpm	360/3400	360/3400
Compression ratio	:1	10.5	10.5

Transmission		650i Coupé	650i Cabriolet
Standard transmission ratio	I/II/III:1	4.06/2.40/1.58	4.06/2.40/1.58
	IV/V/VI:1	1.19/1.0/0.87	1.19/1.0/0.87
Final drive ratio	R:1	3.68	3.77
	:1	3.23	3.46

Fuel Consumption¹		650i Coupé	650i Cabriolet
City (manual/automatic)	L/100km	14.8/13.2	16.2/13.8
Highway (manual/automatic)	L/100km	9.3/8.3	10.0/8.7
Tank capacity, approximately	L	70	70

Explanations on footnotes can be found on the following page.

Technical data

Performance		650i Coupé	650i Cabriolet
Top speed ²	km/h	240	240
Acceleration 0–100 km/h (manual/automatic)	s	5.5/5.6	5.8/5.9

Wheels		650i Coupé	650i Cabriolet
Tire dimensions (front/rear)		245/45 R-18/275/40R-18	245/45 R-18
Wheel dimensions (front/rear)		18x8.0/18x9.0	18x8.0
Material		Light-alloy	Light-alloy

Electrical System		650i Coupé	650i Cabriolet
Battery capacity	Ah	110	110
Alternator output	Amps/Watts	170/2380	170/2380

¹ NR Can – estimated figures are for comparison purposes only. Your actual mileage will vary, depending on speed, driving habits, trip length and driving conditions; actual mileage will most likely be lower.

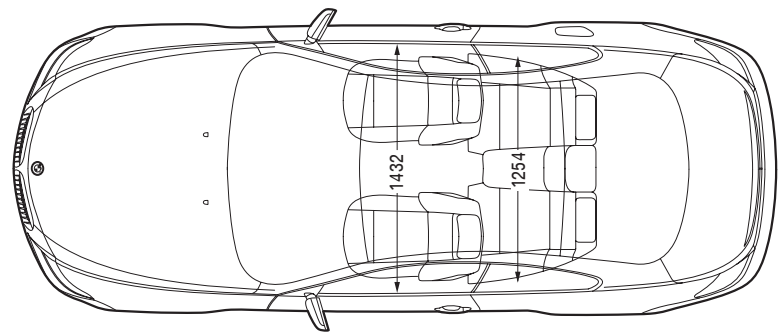
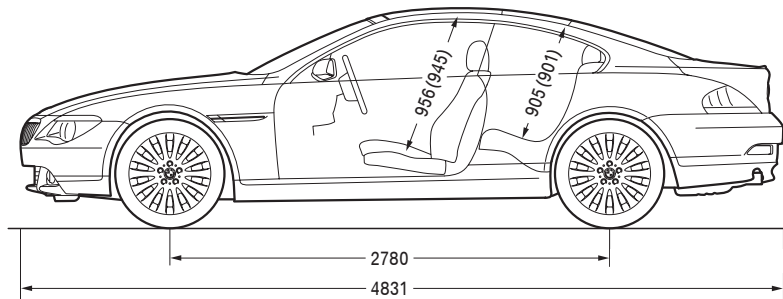
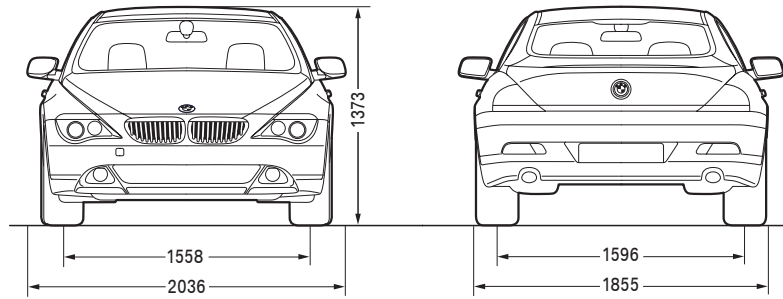
² Electronically limited.

All specifications, standard features, accessories, equipment, options, fabrics and colours are based on product information available at the time of printing. BMW reserves the right to revise specifications at any time, without notice. Illustrations are representative only. BMW may determine the Model Year designation of its vehicles. Models may be shown with features, accessories, equipment, options, fabrics and/or colours not available in Canada, or available only at extra cost, or available only on particular models. While BMW takes care to ensure that the information contained in this brochure is accurate, it cannot guarantee complete accuracy. BMW is not responsible for errors or omissions contained in

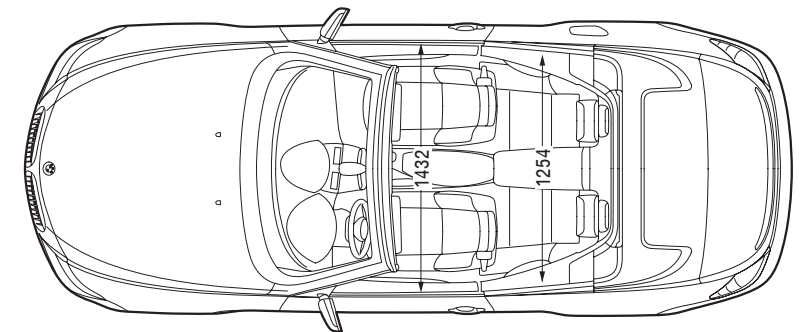
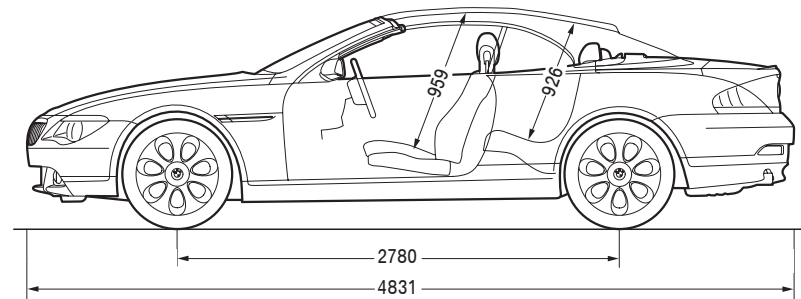
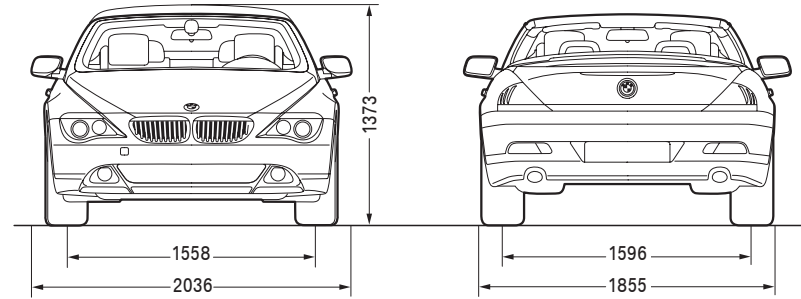
this brochure. Further information about the products shown in this brochure can be obtained from your authorized BMW Retailer and at www.BMW.ca. Printed 03/2006.

©2006 BMW AG, Munich, Germany. Not to be reproduced wholly or in part without prior written permission of BMW AG, Germany. "BMW", the BMW logo and BMW model designations are registered trademarks of BMW AG, used under licence.

6 Series Coupé



6 Series Cabriolet



All dimensions in the technical drawings are given in millimetres. Luggage compartment volume of the Cabriolet is approximately 300 litres (350 litres with raised softop compartment) and the Coupé is approximately 450 litres. (VDA measurement).
 () Measurement with sunroof.