

The new BMW M5  
The new BMW M6



The Ultimate  
Driving Experience.®







Do you know the difference between  
a sports car and a sedan?

Well, forget it ...







What a shame  
you can't hear it.



The best thing you can say  
about intuitive control is nothing.







M FK 4216







Some people collect works  
of art. Others drive them.











Understatement is  
also a statement.

- 1 Side gills.
- 2 Air scoops with curved flaps.
- 3 Aerodynamically optimized M exterior mirror.

- 4 Two twin chrome-plated tailpipes, diffuser, and M Rear spoiler.
- 5 19" M Radial Spoke wheels, Style 166M.







1 Door sill trim with M5 logo.

2 Info Display with white-illuminated surrounds for speedometer and rev counter; instrument needles with red illumination.

3 Head-Up Display in M5-specific design.

4 Illuminated SMG selector lever.

5 M Sport seats.







1 Door sill trim with M6 logo, illuminated.  
2 Instrument panel in Full Merino Leather.  
3 Illuminated SMG selector lever.

4 Info Display with white illuminated surrounds for the speedometer and rev counter; instrument needles with red illumination.  
5 Head-Up Display with M-specific design.



1  
2

3

4

5





- 1 Fully automatic fin softtop.
- 2 Two twin chrome-plated tailpipes.
- 3 Side gills.
- 4 Aerodynamically optimized M Exterior mirror.
- 5 Roof made of extra-light carbon-fibre reinforced plastic (CFP).
- 6 19" M Double Spoke wheels, Style 167M.





Standard equipment | Optional equipment

	M5 Sedan	M6 Coupé	M6 Cabriolet		M5 Sedan	M6 Coupé	M6 Cabriolet
<b>Safety</b>				<b>Engine</b>			
<b>Adaptive Brakelights</b>	■	■	■	<b>10-cylinder V engine</b> with four-valve technology, individual throttle butterflies with electronic throttle butterfly control	■	■	■
<b>Adaptive Headlights</b>	■	■	■	<b>Digital Motor Electronics (DME)</b>	■	■	■
<b>Airbags:</b>				<b>Exhaust system</b> , twin-chamber with two twin chrome-plated tailpipes	■	■	■
– Driver and front passenger airbags, seat occupancy detector for front passenger airbag	■	■	■	<b>Hydraulic valve play compensation</b>	■	■	■
– Head airbags for driver and front passenger	■	■	–	<b>Ion flow knock control</b>	■	■	■
– Head airbags for rear-seat passengers	■	■	–	<b>Light-alloy cylinder head</b>	■	■	■
– Side airbags for driver and front passenger	■	■	■	<b>M High-pressure Double-VANOS</b>	■	■	■
– Side airbags for rear-seat passengers	■	–	–	<b>Oil supply with lateral force control</b>	■	■	■
<b>Alarm system</b> with remote control	■	■	■	<b>On-board diagnosis</b>	■	■	■
<b>Anti-lock Brake System (ABS)</b>	■	■	■	<b>Three-way catalytic converter</b> with heated oxygen sensor, activated carbon filter and controlled tank purge	■	■	■
<b>Brakes:</b>							
– Compound disc brakes, inner-vented and cross-drilled all round	■	■	■	<b>Transmission/Suspension</b>			
<b>Battery Safety Terminal (BST)</b>	■	■	■	<b>6-speed manual transmission</b>	■	–	–
<b>Central locking</b> with electronic immobilizer, crash sensor; fuel tank filler flap integrated in central locking	■	■	■	<b>7-speed SMG transmission</b> with Drivelogic	□	■	■
<b>Centre lock switch</b>	■	■	■	<b>Electronic Damper Control</b> with three programs (Comfort, Normal, Sport)	■	■	■
<b>Dynamic Stability Control (DSC)</b> , two-stage, with M Dynamic Mode	■	■	■	<b>Lightweight double-joint spring-strut front axle</b> with aluminum crossbar	■	■	■
<b>High-pressure headlight cleaning system</b>	■	■	■	<b>Lightweight integral rear axle</b>	■	■	■
<b>M Exterior and interior mirrors</b> with auto-dimming function	■	■	■	<b>M Drive</b>	■	■	■
<b>M Servotronic</b>	■	■	■	<b>Suspension with M-specific set-up</b> (sport suspension)	■	■	■
<b>Park Distance Control (PDC)</b>	■	■	■	<b>Variable M Differential Lock</b>	■	■	■
<b>Rain sensor including automatic driving lights control</b>	■	■	■				
<b>Rollover Protection System in rear headrests</b>	–	–	■	<b>Interior features</b>			
<b>Safety bodyshell:</b>				<b>Armrest at the front</b>	■	■	■
– Deformation zones front and rear, door reinforcements made of aluminum, bumpers regenerating to their original position in impacts at up to 4 km/h	■	■	■	<b>Automatic air conditioning</b> (including AAR, mist and solar sensor)	■	■	■
<b>Seatbelts:</b>				<b>Car/Key memory</b>	■	■	■
– Inertia-reel seatbelts at the front with pyrotechnical belt latch tensioner, belt force limiter and belt retainer	■	■	■	<b>Check/Control</b>	■	■	■
– Ergonomic belt system at the rear with three-point belts on all seats	■	■	■	<b>Child seat fastening ISOFIX</b>	■	■	■
<b>Xenon headlights for high and low beam</b> , including automatic headlight range control	■	■	■	<b>Cruise control</b>	■	■	■
				<b>Cupholders at the front</b>	■	■	■
				<b>Door sills with M logo</b>	■	■	■
				<b>Electric rear sunshade</b> , with manual side sunshade	□	–	–

■ Standard □ Optional – Not available



Standard equipment | Optional equipment

Interior features	M5 Sedan	M6 Coupé	M6 Cabriolet	Interior features	M5 Sedan	M6 Coupé	M6 Cabriolet
<b>Footmats</b> in velour	■	■	■	– <b>Seat heating</b> for driver and front passenger	■	■	■
<b>Glass sunroof</b> , electric, with sliding and vent function	■	–	–	– <b>Seat heating</b> for rear seats	□	–	–
<b>Glove compartment</b> , illuminated, lockable	■	■	■	– <b>Ventilated seats</b> , for driver and front passenger	□	–	–
<b>Head-Up Display</b> with additional M-specific display function (dynamic engine speed range, Shift Lights, gear in mesh, road speed)	□	■	■	<b>Service Interval Indicator</b>	■	■	■
<b>Indirect illumination</b> (night design)	■	■	■	<b>Softtop</b> , fully automatic	–	–	■
<b>Information/Communication:</b>				<b>Steering column</b> , with electric height and length adjustment	■	■	■
– BMW Assist Services	■	■	■	<b>Steering wheel:</b>			
– Preparation for mobile phone and BMW Assist, including Bluetooth technology	■	■	■	– M Leather steering wheel with SMG paddles, multi-function control, and MDrive button	■	■	■
<b>Info Display</b> with permanent, white-illuminated displays for road speed, engine speed, fuel level and oil temperature	■	■	■	<b>Throughload</b> , with Ski Bag	■	–	–
<b>Interior lights</b> with automatic function, “soft” switch-on/off	■	■	■	<b>Upholstery:</b>			
<b>Interior trim:</b>				– Extended Merino Leather	■	■	■
– Aluminum Shadow, brushed	■	–	–	– Full Merino Leather	□	□	□
– BMW Individual Piano finish, black	–	■	■	– Full Merino Leather, perforated	□	–	–
– Carbon Fibre	–	□	□	<b>Window lifts</b> , electric, with open/close fingertip control at the front, trap release and comfort locking function	■	■	■
– Carrara Olive Ash, high-gloss	□	□	□				
– Madeira Walnut, high-gloss	□	□	□	<b>Exterior features</b>			
<b>LIGHTS-ON warning</b>	■	■	■	<b>Comfort Access</b>	□	■	■
<b>Navigation System Professional</b> with voice control	■	■	■	<b>Direction indicator lights, white</b>	■	■	■
<b>On-board computer including outside temperature display</b>	■	■	■	<b>Heat insulating glass all around, green</b> , with laminated windshield	■	■	■
<b>Radio/Audio:</b>				<b>High-gloss Shadow Line</b>	■	■	■
– BMW Radio Professional with in-dash CD player and MP3 capability	■	■	■	<b>Metallic paintwork</b>	■	■	■
– CD changer	■	■	■	<b>M Rear spoiler</b>	■	–	–
– LOGIC7 Sound System	■	■	■	<b>Remote control</b> , key with automatically recharging battery	■	■	■
<b>Rooflining</b> in Alcantara (Anthracite)	■	■	–	<b>Universal garage door opener</b>	■	■	■
<b>Seats/Seat Comfort:</b>				<b>Wheels:</b>			
– <b>Comfort entry to the rear</b>	–	■	■	– 19" M Double Spoke alloy wheels – Style 167M, forged	–	■	■
– <b>Lumbar support</b>	■	■	■	– 19" M Radial Spoke alloy wheels – Style 166M	■	–	–
– <b>M Multi-function seats</b> with active seat backrest, adjustment of upper section of backrest and passenger seat memory	□	–	–	<b>Windshield washer nozzles</b> on engine compartment lid, heated, including heated exterior mirrors	■	■	■
– <b>M Sport seats</b> with electric backrest, backrest width, fore-and-aft, height adjustment and driver's seat memory	■	■	■	<b>Executive package</b>			
				Comfort Access; Electric rear sunshade with manual side sunshades; M Multi-function seats; Active Seat Bolsters; Seat heating for rear seats	□	–	–

■ Standard □ Optional – Not available



## Specifications

		M5 Sedan	M6 Coupé	M6 Cabriolet			M5 Sedan	M6 Coupé	M6 Cabriolet
<b>Weight</b>					<b>Engine</b>				
Curb weight <sup>1</sup>	kg	1820	1773	1995	Bore/Stroke	mm	92.0/75.2	92.0/75.2	92.0/75.2
Maximum permissible	kg	2300	2200	2380	Capacity	cc	4999	4999	4999
Maximum load	kg	480	427	385	Compression ratio	:1	12.0	12.0	12.0
Maximum axle load, front/rear	kg	1090/1270	1090/1200	1120/1290	Cylinders/Valves		10/40	10/40	10/40
<b>Performance</b>					Maximum output	hp/rpm	500/7750	500/7750	500/7750
Top speed <sup>2</sup>	km/h	250	250	250	Maximum torque	lb-ft/rpm	383/6100	383/6100	383/6100
Acceleration 0 to 100 km/h	sec	4.7	4.6	4.8	<b>Fuel consumption</b>				
<b>Wheels</b>					City/Highway	L/100 km	18.1/11.0	18.5/11.1	TBD
Tire dimensions, front		255/40 ZR 19	255/40 ZR 19	255/40 ZR 19	Tank capacity, approximate	L	70	70	70
Tire dimensions, rear		285/35 ZR 19	285/35 ZR 19	285/35 ZR 19	<b>Electrical system</b>				
Rim dimensions, front		19 x 8.5	19 x 8.5	19 x 8.5	Alternator output	Amps/Watts	170/2380	170/2380	170/2380
Rim dimensions, rear		19 x 9.5	19 x 9.5	19 x 9.5	Battery capacity	Ah	90	90	90
Material		Light-alloy	Light-alloy, forged	Light-alloy, forged					

<sup>1</sup> The figure specified includes a 90% tank filling plus 68 kg for the driver and 7 kg for luggage. Curb weight applies to vehicles with standard equipment. Options and special equipment may increase this figure.

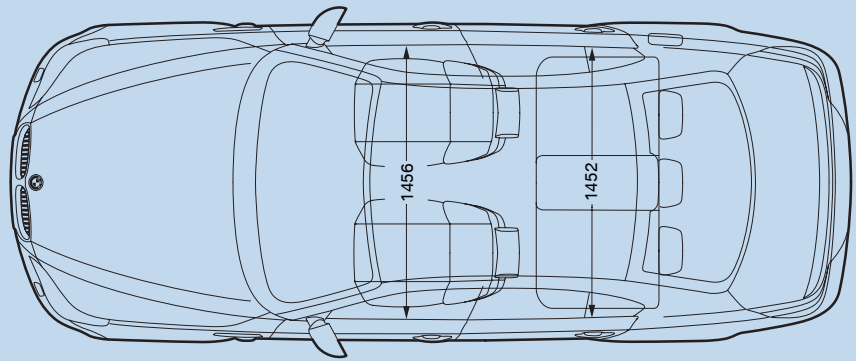
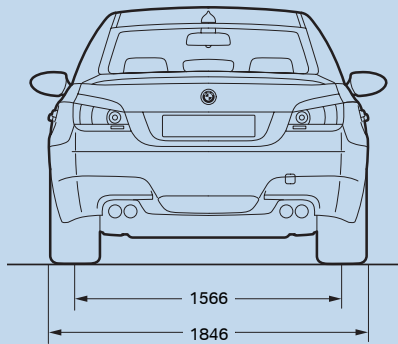
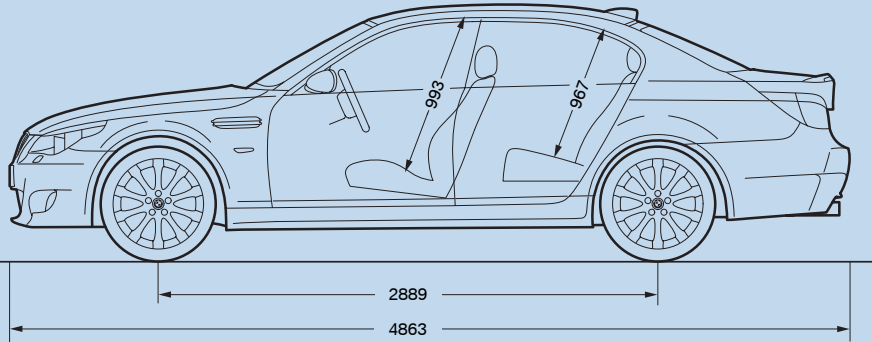
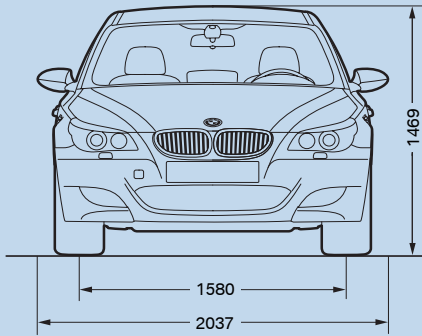
<sup>2</sup> Electronically limited.

Optional extras are available fully installed straight from the factory. For additional extras see the extensive catalogue of accessories at your BMW Retailer. BMW Individual will be happy to help should you wish your dream BMW to include features not listed here. To find a package that perfectly suits what you have in mind, just ask your BMW Retailer.

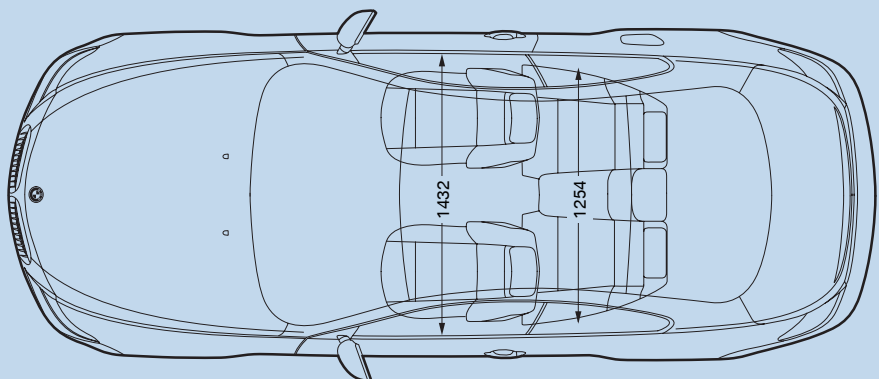
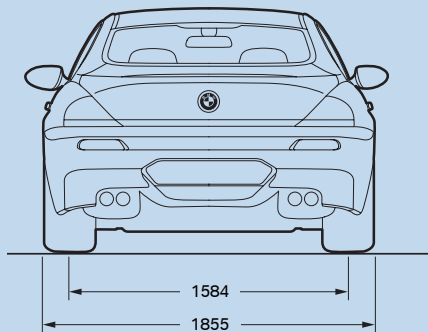
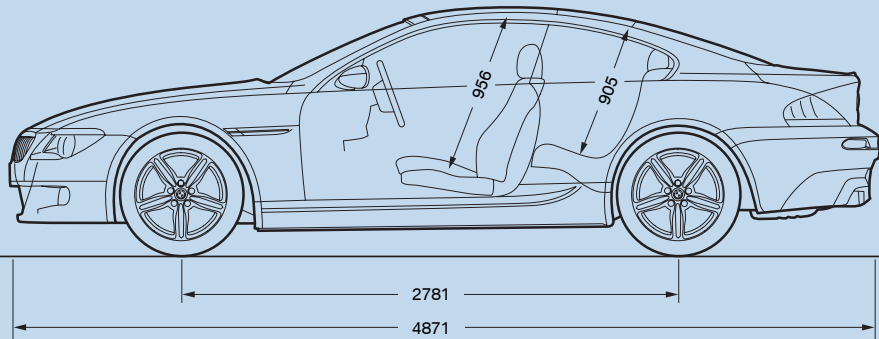
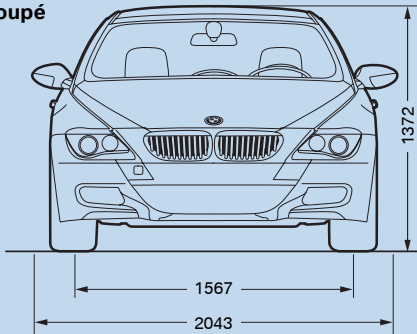


## Specifications | Technical illustrations

### M5



### M6 Coupé

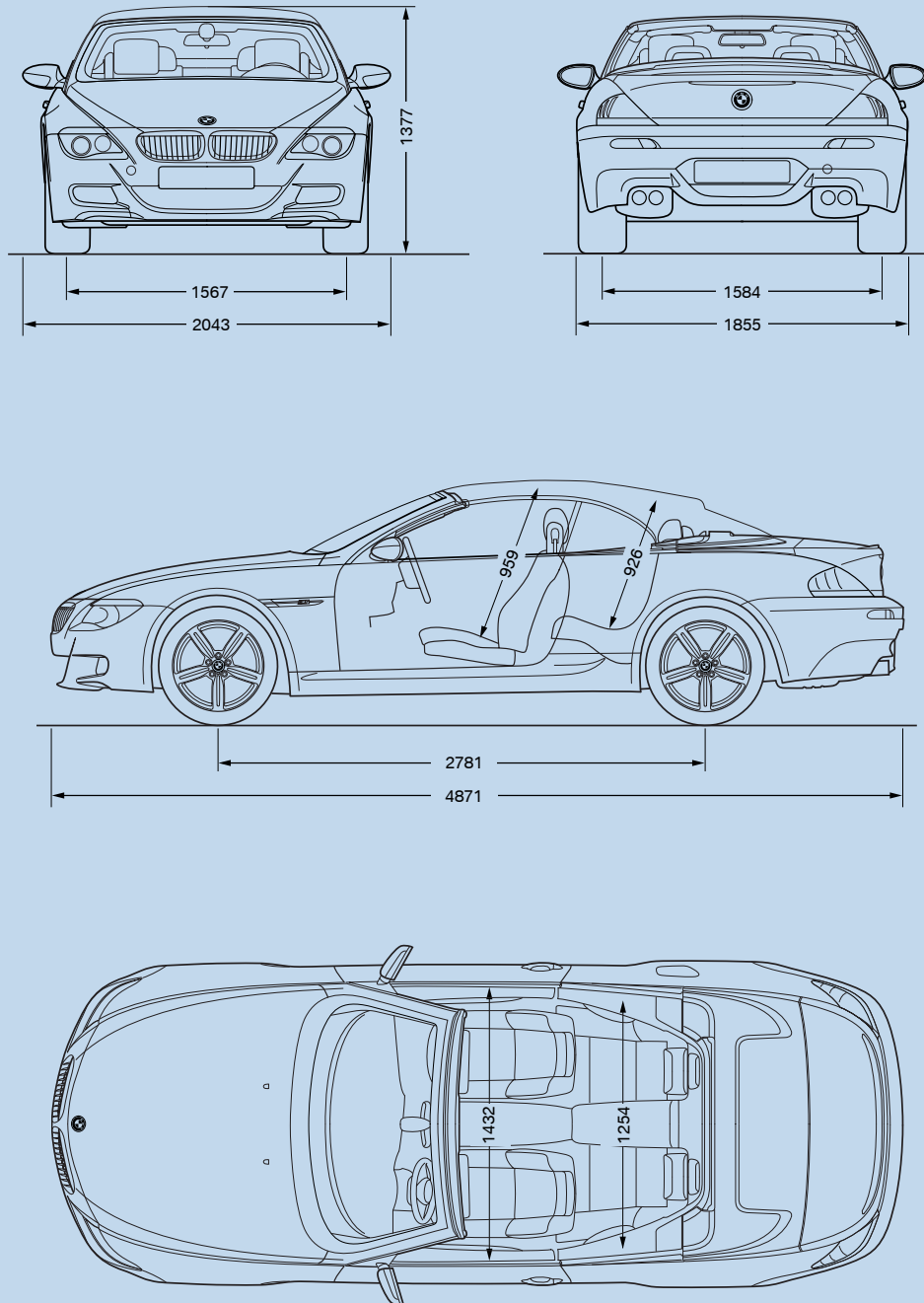


All dimensions of technical drawings in millimetres. Luggage compartment capacity for the M5 is 500 litres and for the M6 Coupé 450 litres (measured to VDA standard).



## Specifications | Technical illustrations

### M6 Cabriolet



All dimensions of technical drawings in millimetres. Luggage compartment capacity for the BMW M6 Cabriolet is 300-350 litres (measured to VDA standard).

All specifications, standard features, accessories, equipment, options, fabrics and colours are based on product information available at the time of printing. BMW reserves the right to revise specifications at any time, without notice. Illustrations are representative only. BMW may determine the Model Year designation of its vehicles. Models may be shown with features, accessories, equipment, options, fabrics and/or colours not available in Canada, or available only at extra cost, or available only on particular models. While BMW takes care to ensure that the information contained in this brochure is accurate, it cannot guarantee complete accuracy. BMW is not responsible for errors or omissions contained in this brochure. Further information

about the products shown in this brochure can be obtained from your authorized BMW Retailer and at [www.bmw.ca](http://www.bmw.ca). Printed 09/2006.

©2006 BMW AG, Munich, Germany. Not to be reproduced wholly or in part without prior written permission of BMW AG, Germany. "BMW", the BMW logo and BMW model designations are registered trademarks of BMW AG, used under licence.