

The new
BMW X3



X3 3.0i
X3 3.0si

The Ultimate
Driving Experience.®





The new BMW X3 – for life the way you live it.

High style that always rises to the occasion.





D M TT 4313



X3



Your space. Your style.

■ Standard equipment

□ Optional equipment



□ **Xenon headlights** for low and high beam, with luminous rings and automatic headlight range control, provide much better illumination of the road ahead at night or in poor visibility. These headlights also feature auto-levelling to adjust for varying passenger and cargo loads. (Standard on the BMW X3 3.0si.)



□ **Headlight cleaning system** ensures optimal headlight brightness in all weather conditions. The headlights are automatically cleaned in parallel with the windshield when the lights are on.



■ **Foglights** integrated in the front air dam ensure extra safety in bad weather and in poor visibility.



■ **White indicator lights** provide a cleaner and more dynamic look.

■ Standard equipment □ Optional equipment



■ **Rain sensor with automatic headlights.** Once activated, the rain sensor will automatically switch on the windshield wipers when it begins to rain, adjusting the wiper frequency in line with rainfall intensity. The integrated automatic headlight control will switch on the low beam automatically at dusk and in tunnels.



■ **Roof rails** are matched harmoniously to the car's design and provide the foundation for BMW's multi-functional roof support unit for effortless and safe transportation of luggage, bicycles, surfboards, etc.



■ **Exterior mirrors** in body colour are electrically adjustable and heated.
□ **Exterior mirrors** with auto-dimming function and power folding function. Both mirrors automatically dim when exposed to more than a given light intensity from following cars. (Available only on the BMW X3 3.0si.)

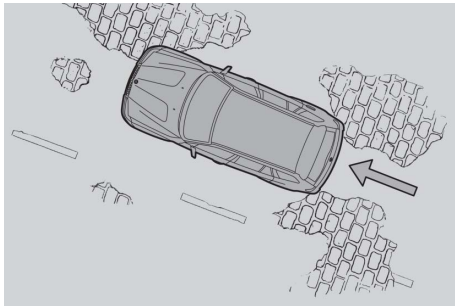


□ **M Sport Package** – Exterior features include 18" M Double Spoke alloy wheels – Style 192M, M Aerodynamic package custom designed for the new BMW X3, with front spoiler and rear skirt, sport suspension settings, exterior details in body colour and high-gloss shadowline. Interior enhancements add yet more sporting character, with sport seats, M Leather sport steering wheel and Anthracite roof liner. (Available on the BMW X3 3.0si only.)

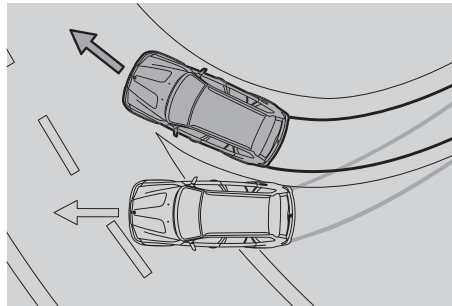
■ Standard equipment

□ Optional equipment

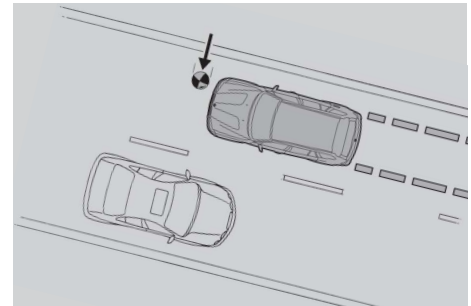
— Not available



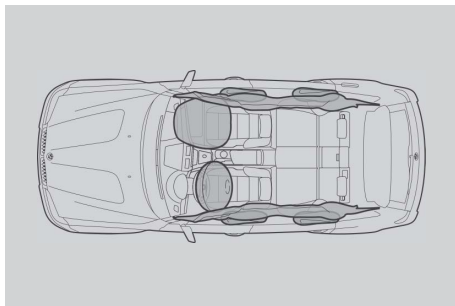
■ **Automatic Differential Brake (ADB-X)** emulates the function of a differential lock by means of direct intervention on a specific wheel. As soon as a wheel is about to go into a spin, ADB-X brakes it automatically until it regains traction and propulsion. With DSC active, ADB-X is supplemented by a regulation of engine performance; without DSC the function is set for maximum acceleration.



■ **Dynamic Stability Control (DSC)** with additional functions, including ADB-X, DTC, DBC and HDC: DSC can detect any risk of swerving early on and stabilizes the car within fractions of a second. The traction mode sub-function (DTC) allows increased wheel slip, to optimize forward thrust in any driving situation and to facilitate more nimble driving.



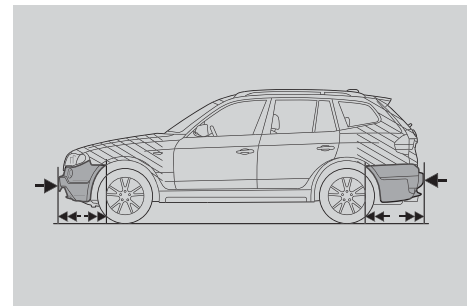
■ **Dynamic Brake Control (DBC)** is a braking aid that in the case of emergency braking immediately builds up maximum brake pressure even with inadequate pedal pressure, significantly cutting down the overall braking distance.



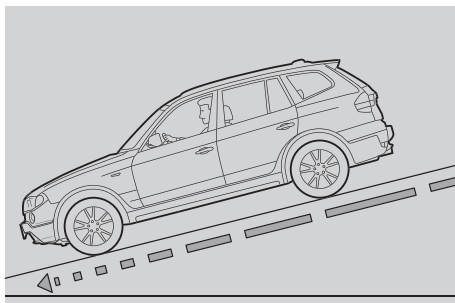
■ **Airbags** and all other safety components are perfectly matched to one another, meaning that in a collision only the airbag actually required is activated. Six airbags offer superior safety on demand: driver and front passenger airbags, front-to-rear head airbags and side airbags in the front (rear special order).



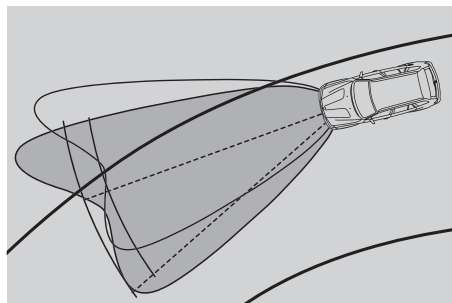
■ **BMW restraint system for the driver and front passenger** consists of a combination of the three-point seat belt, belt latch tensioner and belt force governor; for optimum restraint in a collision.



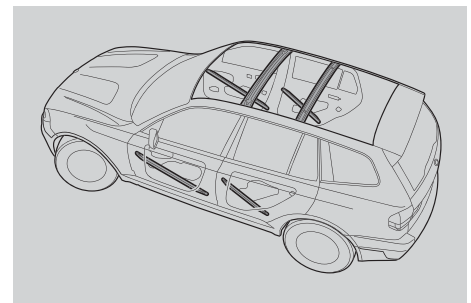
■ **Bumpers** with regenerating aluminum impact absorbers at the front (steel at the rear) absorb impacts without damage at speeds of up to 4 km/h; special deformation zones at the front and rear absorb impacts at up to 15 km/h without any damage to the body.



■ **Hill Descent Control (HDC)** enables your BMW to take even steep descents safely and reliably, automatically reducing the velocity of the car to walking speed without the driver's having to brake. As an option, HDC can also be controlled via buttons on the multi-function steering wheel.



□ **Adaptive Headlights system** consists of electromechanically operated Xenon headlights, which swivel from side to side and thus optimally illuminate a bend the second the driver steers into it – for increased safety when driving at night or when visibility is poor. Sensors register current bend angle, yaw rate and vehicle speed. The headlights then adapt automatically to the determined bend conditions (available only on the BMW X3 3.0si).



■ **Door reinforcements** offer optimum occupant protection in a side collision. Safety bars (reinforcement profiles) are built into the doors – for supreme door stiffness.

Standard equipment
 Optional equipment
 — Not available

Safety	BMW X3 3.0i	BMW X3 3.0si
Adaptive Brakelights	■	■
Adaptive Headlights with cornering lights	—	□
Airbags:		
– Driver and front passenger Impact-Dependent (ID) airbag system, seat occupation detector for front passenger airbag	■	■
– Head Protection System (HPS) for front and rear	■	■
– Side airbags for driver and front passenger	■	■
Anti-lock Braking System (ABS)	■	■
Automatic Differential Brake (ADB-X)	■	■
Automatic Headlights	■	■
Battery Safety Terminal (BST)	■	■
Brakes:		
– Third brakelight integrated into roof spoiler	■	■
– Ventilated disc brakes, front and rear	■	■
Central locking with electronic immobilizer, crash sensor; fuel tank filler flap integrated in central locking	■	■
Centre lock switch	■	■
Cornering Brake Control (CBC)	■	■
Dynamic Brake Control (DBC)	■	■
Dynamic Stability Control (DSC) , with extended functionality	■	■
Emergency trunk lock release	■	■
Foglights	■	■
Headlight cleaning system	□	□
Hill Descent Control (HDC)	■	■
Park Distance Control (PDC) , front and rear	□	□
Rain sensor	■	■
Safety bodyshell:		
– Bumpers with aluminum impact absorbers in the front and steel impact absorbers in the rear, fully regenerating from impacts of up to 4 km/h, deformation units at the front absorbing impacts of up to 15 km/h.	■	■
– Integrated side impact protection in the doors	■	■
Seatbelts:		
– Ergonomic belt system in the rear with three-point belts on all seats	■	■
– Inertia-reel seatbelts at the front and rear with pyrotechnical belt latch tensioner and belt force governor	■	■
Trailer Stability Control , in conjunction with trailer towbar	■	■
Vehicle/Key memory	■	■
Xenon headlights for low and high beam, including automatic headlight range control and four parking light rings	□	■

■ Standard equipment □ Optional equipment — Not available

Engine	BMW X3 3.0i	BMW X3 3.0si
3.0-litre, 215hp, 24-valve in-line 6-cylinder engine	■	—
3.0-litre, 260hp, 24-valve in-line 6-cylinder engine	—	■
Cylinder-specific knock control	■	■
Digital Motor Electronics (DME)	■	■
Double-VANOS steplessly variable valve timing	■	■
“Drive-by-wire” throttle system, fully electronic	■	■
Light-alloy cylinder head	■	■
Valvetronic	■	■

Transmission/Suspension	BMW X3 3.0i	BMW X3 3.0si
6-speed automatic transmission with Steptronic, 3-mode with Adaptive Transmission Control (ATC)	□	□
6-speed manual transmission	■	■
Anti-roll stabilizer bars front and rear	■	■
Central-arm rear axle	■	■
Double-joint spring-strut front axle	■	■
Electronic brake force Distribution (EBD)	■	■
Power steering	■	■
Servotronic, vehicle-speed-sensitive power steering	□	□
Sport suspension	□	□
xDrive All-Wheel Drive system, with variable torque distribution	■	■

Interior Features	BMW X3 3.0i	BMW X3 3.0si
12 V socket in rear of centre console and luggage compartment	■	■
Air conditioning, manual with microfilter	■	—
Auto-dimming interior mirror	□	□
Automatic Climate Control and Automatic Air Recirculation, including microfilter and solar sensor	—	■
BMW Ambiance Lighting	■	■
Centre armrest in the front (with storage) and the rear (with two cupholders, storage compartment and integrated head rest)	■	■
Compass mirror	—	□
Courtesy lights, front centre	■	■
Courtesy lights with automatic function and soft on/off dimming	■	■
Cupholders, front and rear	■	■
Follow-Me-Home function	■	■
Footwell lights, front	□	■
Heat-insulating glass, green, windshield and side windows	■	■
Interior trim:		
— Ash wood	—	■
— Light Poplar wood	□	□
— Poplar Grey wood	□	□
— Titanium Matte	■	—

Standard equipment
 Optional equipment
 Not available

Interior Features	BMW X3 3.0i	BMW X3 3.0si
“LIGHTS-ON” warning	■	■
Load area cover	■	■
Locking illuminated glovebox , with rechargeable takeout flashlight	■	■
Luggage compartment lights in tailgate and sides	■	■
Luggage compartment partition net (integrated with load area cover)	□	□
Luggage compartment with full textile lining	■	■
On-board computer , with Check Control	■	■
Panorama glass sunroof , electric	□	□
Power front and rear windows ; anti-trap with “one-touch” up/down operation	■	■
Radio/Audio:		
– 6-disc CD changer, in centre console, including MP3 function	□	□
– BMW Business CD/Radio including MP3 function and auxiliary input	■	■
– CD changer pre-wire	■	■
– HiFi Sound System, 8-speaker, including 2 subwoofers	■	■
– HiFi Sound System with Digital Sound Processing (DSP), 10-speaker including 2 subwoofers	–	□
– Satellite radio pre-wire	■	■
Reading lights , front and rear	□	■
Remote control for central locking	■	■
Seats/seat comfort:		
– 8-way power adjustable seats with driver memory	–	■
– Comfort seats, 12-way power adjustable with lumbar support and driver memory	–	□
– Seat heating for driver and front passenger	■	■
– Seat heating for rear passengers	–	□
– Split-folding rear-seat bench	■	■
– Sport seats for driver and front passenger	–	□
– Standard seats with manual seat adjustments	■	–
Ski Bag	□	□
Steering wheel:		
– 3-Spoke multi-function leather sport steering wheel	□	–
– 3-Spoke multi-function leather steering wheel, includes gear lever knob and handbrake lever handle in leather	■	■
– 3-Spoke multi-function M Leather sport steering wheel	–	□
– Steering column adjustment, manual tilt/telescopic	■	■
– Steering wheel heating	□	□
Storage compartments:		
– Centre armrest in the front	■	■
– Centre armrest in the rear	■	■
– Centre console, as well as in all doors	■	■
– Storage nets in the left side of luggage compartment	□	■
Storage compartment package , including nets on the back of the front seats and tunnel console, as well as on the left side of the luggage compartment; reversible mat in luggage compartment; parcel rails with four fastening eyelets on luggage compartment floor	□	■
Telephone:		
– Telephone and BMW Assist Preparation featuring Bluetooth technology, including one year of BMW Assist Safety and Security Package	□	□
– Telephone pre-wiring	■	■

Standard equipment
 Optional equipment
 — Not available

Interior Features	BMW X3 3.0i	BMW X3 3.0si
Universal garage door opener	—	<input type="checkbox"/>
Upholstery:		
— Leatherette	<input checked="" type="checkbox"/>	<input checked="" type="checkbox"/>
— Nevada Leather	<input type="checkbox"/>	<input type="checkbox"/>
Vanity mirrors for driver and front passenger	<input checked="" type="checkbox"/>	—
Vanity mirrors for driver and front passenger, including illumination	<input type="checkbox"/>	<input checked="" type="checkbox"/>

Exterior Features	BMW X3 3.0i	BMW X3 3.0si
Aluminum running boards	<input type="checkbox"/>	<input type="checkbox"/>
Auto-dimming exterior mirrors, including power folding	—	<input type="checkbox"/>
Direction indicator lights, white	<input checked="" type="checkbox"/>	<input checked="" type="checkbox"/>
Metallic paint	<input type="checkbox"/>	<input type="checkbox"/>
Ornamental chrome grille, with graphite kidney slats	<input checked="" type="checkbox"/>	—
Ornamental chrome grille, with titanium kidney slats	—	<input checked="" type="checkbox"/>
Privacy glass	<input type="checkbox"/>	<input checked="" type="checkbox"/>
Rear-view mirrors in body colour, electrically adjustable, aspheric design, heated	<input checked="" type="checkbox"/>	<input checked="" type="checkbox"/>
Rear window wiper	<input checked="" type="checkbox"/>	<input checked="" type="checkbox"/>
Roof rails	<input checked="" type="checkbox"/>	<input checked="" type="checkbox"/>
Roof spoiler in body colour	<input checked="" type="checkbox"/>	<input checked="" type="checkbox"/>
Side window sill, trim in black	<input checked="" type="checkbox"/>	—
Side window sill, trim in chrome	—	<input checked="" type="checkbox"/>
Tailgate with low loading sill	<input checked="" type="checkbox"/>	<input checked="" type="checkbox"/>
Wheels:		
— Double Spoke alloy wheels - Style 112, 17 x 8.0, 235/55R-17	<input checked="" type="checkbox"/>	—
— Double Spoke alloy wheels - Style 205, 18 x 8.0, 235/50R-18	—	<input type="checkbox"/>
— M Double Spoke alloy wheels - Style 192M, 18 x 8.0, 235/50R-18	—	<input type="checkbox"/>
— Star Spoke alloy wheels - Style 143, 18 x 8.0, 235/50R-18	<input type="checkbox"/>	—
— Star Spoke alloy wheels - Style 204, 17 x 8.0, 235/55R-17	—	<input checked="" type="checkbox"/>

Standard equipment

 Optional equipment

 — Not available

Activity Package	BMW X3 3.0i	BMW X3 3.0si
Adaptive Headlights; Headlight cleaning system; Luggage compartment net; Ski Bag; Compass mirror	—	<input type="checkbox"/>
Headlight cleaning system; Luggage compartment net; Ski Bag; Storage compartment package	<input type="checkbox"/>	—

Comfort Package	BMW X3 3.0i	BMW X3 3.0si
Comfort seats; Park Distance Control; Rear heated seats; Universal garage door opener	—	<input type="checkbox"/>

M Sport Package	BMW X3 3.0i	BMW X3 3.0si
18" M Double Spoke alloy wheels – Style 192M; M Aerodynamic package; Sport suspension; Sport seats; M Leather sport steering wheel; High-gloss Shadow Line; Anthracite roof liner	—	<input type="checkbox"/>

Navigation Package	BMW X3 3.0i	BMW X3 3.0si
On-board Navigation System Professional; Canada/US Navigation DVD	—	<input type="checkbox"/>

Premium Package	BMW X3 3.0i	BMW X3 3.0si
Auto-dimming interior mirror; Panorama glass sunroof; Xenon headlights; Privacy glass; Heated steering wheel	<input type="checkbox"/>	—
Auto-dimming interior mirror; Nevada Leather; Auto-dimming exterior mirrors, including power folding; HiFi Sound System with DSP; Panorama glass sunroof; Heated steering wheel	—	<input type="checkbox"/>

Sport Package	BMW X3 3.0i	BMW X3 3.0si
18" Star Spoke alloy wheels – Style 143; Leather sport steering wheel; Sport suspension	<input type="checkbox"/>	—

--	--	--

Technical data

Weight¹		BMW X3 3.0i	BMW X3 3.0si
Curb weight	kg	1820 [1845]	1820 [1845]
Maximum permissible	kg	2275 [2300]	2290 [2315]
Permitted load	kg	455	470
Permitted axle load, front/rear	kg	1100/1260	1100/1260
Permitted roof load	kg	75	75

Engine		BMW X3 3.0i	BMW X3 3.0si
Bore/stroke	mm	85.0/88.0	85.0/88.0
Compression ratio	:1	10.7	10.7
Cylinders/valves		6/24	6/24
Displacement	cc	2996	2996
Maximum torque/rpm	lb-ft	185/2750	225/2750
Nominal output/rpm	hp	215/6250	260/6600

Transmission		BMW X3 3.0i	BMW X3 3.0si
Drive configuration		All-Wheel Drive	All-Wheel Drive
Manual gear ratios	I/II :1	4.35/2.50	4.35/2.50
	III/IV :1	1.66/1.23	1.66/1.23
	V/VI/R :1	1.00/0.85/3.93	1.0/0.85/3.93
Final drive ratio	:1	3.91	3.73
Automatic gear ratios	I/II :1	4.07/2.37	4.07/2.37
	III/IV :1	1.55/1.16	1.55/1.16
	V/VI/R :1	0.85/0.67/3.20	0.85/0.67/3.20
Final drive ratio	:1	4.44	4.44

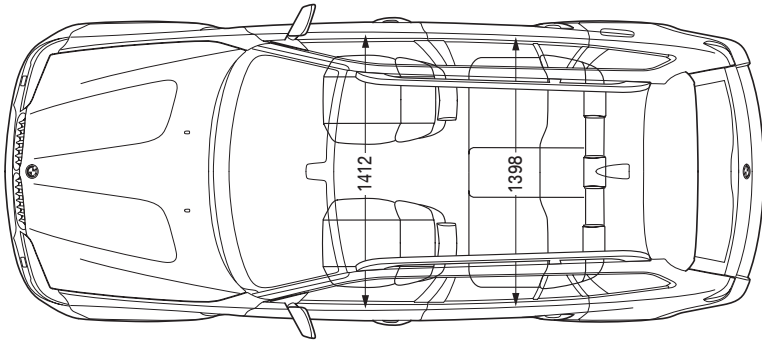
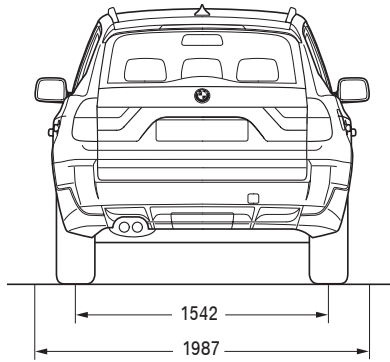
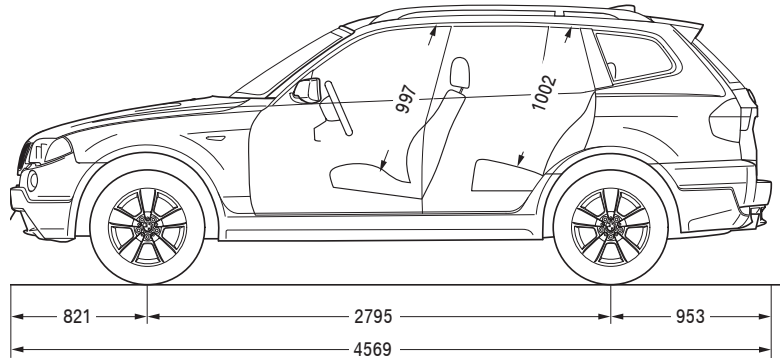
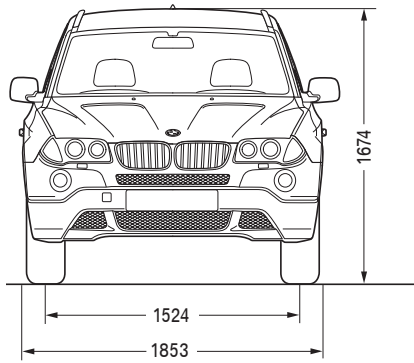
Performance		BMW X3 3.0i	BMW X3 3.0si
Acceleration 0 to 100 km/h	sec	8.5 [8.9]	7.3 [7.6]
Top speed ²	km/h	210	210

Fuel Consumption		BMW X3 3.0i	BMW X3 3.0si
City	L/100 km	tbd	tbd
Highway	L/100 km	tbd	tbd
Tank capacity, approximate	L	67	67

Wheels		BMW X3 3.0i	BMW X3 3.0si
Material		Light-alloy	Light-alloy
Tire dimensions	standard	235/55R-17	235/55R-17
Wheel dimensions	standard	17 x 8.0	17 x 8.0

Technical data

Electrical System		BMW X3 3.0i	BMW X3 3.0si
	Alternator output	Amps	70
Battery capacity	Ah	150	150



All dimensions in the technical drawings are given in millimetres. Luggage capacity from 480 to 1.560 litres.

¹ Figures are based on a 90% tank filling, driver's weight of 68kg and 7kg of luggage. Applies to vehicles with standard equipment.
 Optional equipment may increase these figures.
² Electronically limited.
 Figures in [] apply to models with automatic transmission.

All specifications, standard features, accessories, equipment, options, fabrics and colours are based on product information available at the time of printing. BMW reserves the right to revise specifications at any time, without notice. Illustrations are representative only. BMW may determine the Model Year designation of its vehicles. Models may be shown with features, accessories, equipment, options, fabrics and/or colours not available in Canada, or available only at extra cost, or available only

on particular models. While BMW takes care to ensure that the information contained in this brochure is accurate, it cannot guarantee complete accuracy. BMW is not responsible for errors or omissions contained in this brochure. Further information about the products shown in this brochure can be obtained from your authorized BMW Retailer and at www.BMW.ca.
 Printed 09/2006.

©2006 BMWAG, Munich, Germany. Not to be reproduced wholly or in part without prior written permission of BMW AG, Germany. "BMW", the BMW logo and BMW model designations are registered trademarks of BMW AG, used under licence.

