



CITROËN XSARA PICASSO



CITROËN XSARA PICASSO

SIMPLY CLEVER. PACKED WITH FRESH THINKING AND CLEVER TECHNOLOGY, THE CITROËN XSARA PICASSO IS A ROOMY FLEXIBLE MPV THAT'S READY FOR ANYTHING – AND EVERYONE.

WITH A HOST OF INTELLIGENT FEATURES CONTROLLED BY A MULTIPLEX SYSTEM TO MINIMISE WIRING, THIS IS A VEHICLE THAT BALANCES THE SOPHISTICATED WITH THE SIMPLE. IT'S AN MPV YOU CAN RELY ON.



› IN CONTROL

Citroën has always seen things from the driver's point of view. Which is why so much attention, has been lavished on the cockpit of the Citroën Xsara Picasso. This is where you feel in control. At your fingertips are a range of functions that adapt instantly to your needs. They are all designed to help make driving safer and more enjoyable.

	CO ₂ EMISSIONS (G/KM)
PETROL ENGINE AVAILABILITY 1.6i 16V 110hp	172
DIESEL ENGINE AVAILABILITY 1.6HDi 16V 92hp	130

POWER UP EITHER THE HIGHLY EFFICIENT PETROL OR DIESEL ENGINE AND THEN SIT BACK AND CONSIDER THE WEALTH OF CITROËN DETAILS THAT SURROUND YOU, FROM AIR CONDITIONING AND A HEAT-REFLECTING WINDSCREEN, TO MULTI-FUNCTION ON-BOARD TRIP COMPUTER AND RDS STEREO RADIO/CD PLAYER WITH STEERING MOUNTED CONTROLS.

► LOADED WITH SPACE

The elegant Citroën Xsara Picasso handles like a saloon but has the capacity of a people carrier, with up to 2,128 litres of loadspace!



CITROËN XSARA PICASSO

COLOURS, TRIM,
WHEEL & OPTION



Polar White



Arctic Steel (metallic)



Nocciola (metallic)



Iron Grey (pearlescent)



Wicked Red (pearlescent)

15" 'BAYONNE'
WHEEL COVERS
Set of four
Tyres: 185/65 R15



Grey 'Reps' cloth

OPTION SUMMARY

Metallic/Pearlescent paint

DESIRE

○

ACCESSORIES YOU WON'T WANT TO BE WITHOUT

Whether you wish to enhance the vehicle's appearance, add to its convenience, storage or safety features, or enjoy its high-quality in-car entertainment including the 6-CD autochanger and satellite navigation systems, we have the accessory solution for you. For information on the full range of accessories available, contact your local Citroën Dealer or visit www.accessories.citroen.co.uk. Below is a selection of Citroën Xsara Picasso accessories.

1. 'Estoril' alloy wheels

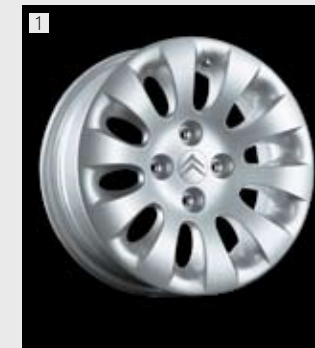
Enhance the look of your new Citroën Xsara Picasso further with these 15" 'Estoril' alloy wheels.

2. Isotherm Module

Keep your food and drink either warm or cold on the move in your new Citroën Xsara Picasso.

3. Contoured mudflaps

Contoured front and rear mudflaps are designed to maintain the beauty of your new Citroën Xsara Picasso by offering great protection and made-to-measure good looks.



CITROËN XSARA PICASSO SPECIFICATIONS

EQUIPMENT SPECIFICATION

SAFETY & SECURITY

- ABS with Electronic Brakeforce Distribution (EBD)
- Energy absorbing side impact protection
- Driver's airbag
- Front lateral airbags
- Front passenger's airbag with cut-off device
- Fuel cut-off device
- Front seat belt pre-tensioners with force-limiters
- Height-adjustable front seat belts
- Five 3-point inertia reel seat belts
- High-frequency remote control central locking with deadlocks and dashboard mounted control
- Transponder immobiliser
- Automatic door and boot locking (when car in motion)
- Lockable fuel cap
- Two outer rear seats Isofix child seat anchorage points
- High tensile steel side protection bars

LIGHTING & VISIBILITY

- Front fog lights
- Halogen headlamps
- Height-adjustable headlamps
- 'Guide-me-home' headlamp function
- High level third brake light
- Heat-reflecting windscreen
- Three-speed and intermittent speed-sensitive windscreen wipers
- Speed-sensitive and intermittent rear wash-wipe
- Automatic rear wiper (when reverse gear is engaged and front wipers on)
- Automatic illumination of interior lights when vehicle is unlocked or doors opened
- Front and rear courtesy and reading lights
- Boot courtesy light

DRIVER INFORMATION

- Digital dashboard display
- 'Black panel' night-time instrument lighting
- Maintenance indicator
- Child lock indicator
- Exterior temperature display with risk of ice warning indicator
- Multi-function on-board trip computer (current fuel consumption, average fuel consumption, distance covered, average speed and range on remaining fuel)

IN CAR ENTERTAINMENT

- RDS stereo radio/CD player with steering mounted controls
- Speed sensitive stereo volume
- Six speakers

EQUIPMENT SPECIFICATION

STYLE

- EXTERIOR**
- Body colour painted bumpers with chrome inserts and side rubbing strips
- Body colour painted bumper skirts
- Body colour painted door mirrors
- Body colour painted door handles
- Body colour painted rear number plate moulding
- 15" 'Bayonne' wheel covers (set of four)
- Steel spare wheel
- INTERIOR**
- Leather steering wheel

STORAGE

- 15 litre illuminated glove box with cup holders and space for sunglasses and a pen in the lid
- Two 9 litre compartments in rear floor
- Large pockets in all four doors with space for a 1.5 litre bottle and a 33 centilitre drinks can
- Drawer under driver's seat
- Storage compartment at the bottom of the centre console
- Four lashing eyes in the boot
- Flat floor for carrying long items (when rear seats removed)

COMFORT & CONVENIENCE

- Air conditioning
- Air recirculation and pollen filter
- Tinted windows
- Height-adjustable steering wheel
- 12 volt socket
- Cigarette lighter
- Variable power assisted steering
- Electrically adjustable and heated door mirrors
- Front electric windows with 'one-touch' operation (driver's side) and anti-pinch
- Heated rear window
- Rear centre seat fold down table with integrated cup holders and armrests
- Front folding armrests
- Aircraft style tables on rear of front seats

SEATING

- Height-adjustable driver's seat
- Lumbar adjustment on driver's seat
- Rear sliding central seat
- Independently foldable and removable rear seats with three retractable head restraints
- Height and tilt adjustable front head restraints

TECHNICAL SPECIFICATION

	PETROL MODEL	DIESEL MODEL
	1.6i 16V 110hp	1.6HDi 16V 92hp
ENGINE		
Capacity (cc)	1587	1560
Cylinders	4 in line	4 in line
Max power CEE (kW/rpm)	80/5800	66/4000
Max torque CEE (Nm/rpm)	147/4000	215/1750
Fuel system	Multi-point electronic fuel injection	High pressure direct diesel injection
TRANSMISSION	Front wheel drive	Front wheel drive
Five speed manual	•	•
Clutch type	Dry single plate	Dry single plate
(All figures driver alone) PERFORMANCE		
Max speed (mph)	112	109
0-62mph (secs)	11.4	12.1
Standing 1000m (secs)	32.7	34.6
ECONOMY Litres/100km (mpg) (Official Government test fuel consumption figures)		
Urban cycle	9.5 (29.7)	6.4 (44.1)
Extra urban	6.0 (47.1)	4.2 (67.3)
Combined	7.3 (38.7)	5.1 (55.4)
CO₂ EMISSIONS (g/km)	172	130
WEIGHTS (kg) Please note: the maximum plated weights must not be exceeded		
Kerb weight	1240	1300
Max laden weight	1800	1850
Max towing weight braked	1300	1300
Max roof rack load	80	80
BRAKES	Front discs, rear drums. ABS with EBD standard on all models	
STEERING	Variable power assisted steering	
Number of turns lock to lock	3.2	
Turning circle kerb to kerb (m)	11.48	
SUSPENSION	Anti-roll bars front and rear, front MacPherson strut/coil springs, rear independent trailing arms/torsion bars	
FUEL TANK CAPACITY Litres (gallons)	55 (12.1)	60 (13.2)
EXTERIOR DIMENSIONS (mm)		
Length	4276	
Width	1751	
Height	1637	
Wheelbase	2760	
BOOT VOLUMES (litres)		
Seats up - below parcel shelf	550	
Seats folded forward - up to roof	1969	
Seats removed - up to roof	2128	



55.4mpg
on diesel model



130g/km CO₂
on diesel model

GREEN EFFICIENCY. CITROËN HAS BEEN PIONEERING CLEANER, MORE FUEL-EFFICIENT MOTORING, SUCH AS THE COMMON RAIL HDi ENGINES NOW FITTED IN ALL NEW CITROËN DIESELS, LONG BEFORE ALL THE HYPE...

CITROËN HAS ALWAYS BEEN AT THE FOREFRONT OF GREENER TECHNOLOGY AND THE CITROËN XSARA PICASSO IS NO EXCEPTION. TODAY, WE HAVE ONE OF THE UK'S WIDEST RANGES OF LOW EMISSION VEHICLES – THREE OF WHICH ARE IN THE TOP FOUR FOR LOW CO₂ AND FUEL-EFFICIENCY. WE ALSO PRODUCE ONE OF THE UK'S MOST ECONOMICAL LIGHT COMMERCIAL VEHICLES, THE CITROËN NEMO VAN.



› INTRODUCING A MORE ECOLOGICAL CAR

The Citroën C-Cactus concept, a car designed on ecological principles. It includes a significant proportion of recycled or recyclable materials and, like the plant it is named after, it is low on liquid consumption. At the same time, Citroën C-Cactus is designed to be no more expensive than a mid-range family car. This can be attributed to the use of new materials and to a rational design process using a smaller number of parts. Citroën C-Cactus is an essential vehicle reflecting a new vision of the car, many of its thoughts and themes will appear in modern Citroën vehicles to come.

› AIRDREAM – A BENCHMARK

When it comes to the environment we wanted to show our genuine commitment as well as our profound expertise, so we have devised a benchmarking scheme with the signature 'Airdream' reserved exclusively for the cleanest vehicles in our range. To qualify for the Airdream signature, vehicles must meet three standards:

1. a) CO₂ emissions of 120g/km or less
2. b) fitted with DPFS with CO₂ below 158g/km.
3. Manufacturing quality of ISO14001.
3. 95% of recoverable materials.

DRIVE YOUR WAY.

GET BEHIND THE WHEEL OF YOUR NEW CITROËN XSARA PICASSO, WITH CITROËN'S RANGE OF FINANCE AND INSURANCE PRODUCTS.

CITROËN FINANCIAL SERVICES PURCHASE PLAN

Own your vehicle with this flexible package designed to fit your budget.

CITROËN FINANCIAL SERVICES ELECT 3

A new Citroën car every two or three years with monthly payments structured to suit your budget.

CITROËN FINANCIAL SERVICES ELECT 4

Enjoy the convenience of a new car without the stress and hassle of ownership.

➤ TO FIND OUT MORE ABOUT CITROËN PRODUCTS AND SERVICES, GO TO WWW.CITROEN.CO.UK OR CONTACT YOUR CITROËN DEALER.

FOR BUSINESS USERS

CITROËN CONTRACT MOTORING HIRE PURCHASE

A tried and tested finance package that allows you to own your vehicle.

CITROËN CONTRACT MOTORING BUSINESS LEASE

An alternative to vehicle ownership that allows you to control your business cash flow and gain tax efficiencies.

CITROËN CONTRACT MOTORING LEASE PURCHASE

Own a vehicle with a finance solution that offers ultimate flexibility to complement your business cash flow.

CITROËN CONTRACT MOTORING CONTRACT HIRE

A non-ownership finance solution that keeps costs fixed and risks low.

➤ FOR MORE INFORMATION ON CITROËN FLEET AND BUSINESS SALES, PLEASE CALL CITROËN FLEET CONNECT ON 08457 940 940 OR LOOK US UP AT WWW.CITROEN.CO.UK/FLEET

➤ ESSENTIAL CARE.

CITROËNS ARE RENOWNED FOR THEIR RELIABILITY – AND THE CITROËN XSARA PICASSO IS NO EXCEPTION. WITH THE ADDED REASSURANCE OF A WARRANTY, ROUTINE SERVICING AND MAINTENANCE, AS WELL AS 24-HOUR ROADSIDE ASSISTANCE, YOU ARE PROTECTED.

CITROËN WARRANTY

Every new Citroën car has the benefit of a 3 year* warranty package, plus a 12 year anti-perforation** warranty and a 3 year paint warranty.

* 2 years' unlimited warranty. No-fee customer option of 1 year's Dealer provided extended warranty, only on cars sourced from Citroën UK Limited. Note: Dealer provided warranty is limited to 60,000 miles for cars.

** Against all internal to external perforation to bodywork or underbody.

CITROËN ASSISTANCE

For all models except Citroën C6: In response to a free telephone call in the UK, Citroën Assistance brings rapid expert roadside assistance to you in an emergency. It comes free of charge for a full year and operates 24 hours a day in all parts of the UK and Europe. Services include nationwide recovery for both car and passengers, a home call service, replacement vehicle, hotel accommodation and vehicle storage if required. Please note, Citroën Assistance only applies to incidents covered by the new vehicle warranty, and excludes non-vehicle faults, such as running out of fuel, misfuelling, loss of keys, lock-ins, road traffic accidents and punctures/wheel changes. Citroën C6: Citroën Assistance covers all incidents and for a period of 3 years. Full details are available on request from Citroën UK via cuk_contactcentre@citroen.com

CITROËN MAINTENANCE

From roadside assistance to replacing wear and tear parts or regular servicing, with Citroën Maintenance you have total peace of mind. For a one-off fee or low monthly payment, our experienced engineers will take care of your Citroën, whatever happens. To find out more, contact your Citroën Dealer or Citroën Authorised Repairer.

CITROËN SERVICING

Available up to 1 year from your vehicle's registration date, but before its first chargeable service, a Citroën Servicing Package enables you to pay in advance for your vehicle's servicing needs for 3 years/35,000 miles. For further information, please contact your Citroën Dealer.

CITROËN EXTENDED WARRANTY

With a Citroën Extended Warranty, we offer you the opportunity to continue your care-free motoring for a further 1 or 2 years beyond the 3 year warranty and up to 120,000 miles.

To find out more, contact your Citroën Dealer or call the Customer Contact Centre on 0844 463 3500.

Extended Warranty insurance is underwritten by Pinnacle Insurance Plc which is authorised and regulated by the Financial Services Authority.

CITROËN
XSARA
PICASSO
FINANCE, CARE
& INSURANCE

CITROËN INSURANCE

CITROËN INSURANCE INSTANT COVER

To help you drive away your new car without delay, we offer Instant Cover insurance, providing you with 7 days comprehensive car insurance, for free!

CITROËN INSURANCE MOTOR INSURANCE

Citroën Insurance has been designed specifically for our vehicles. You don't just get repairs you get Citroën expertise, service, quality and parts.

So, when the time comes to renew your insurance cover, call Citroën Insurance on 0870 024 2725.

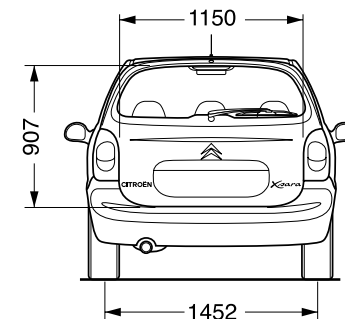
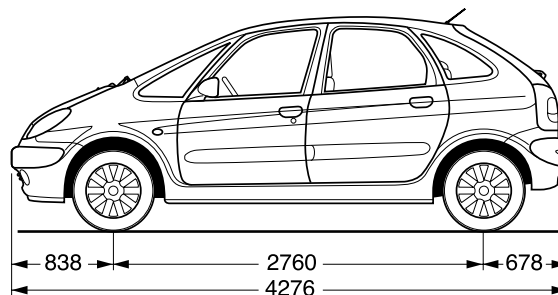
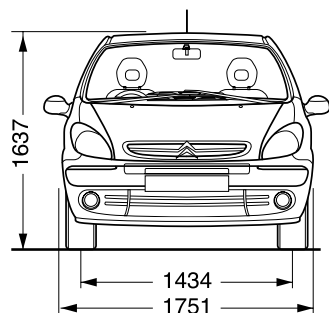
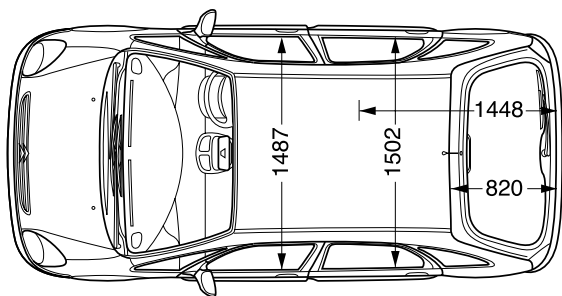
Lines open 8am - 8pm weekdays, 9am - 5pm Saturdays. Max call charge from a BT landline is 8p per minute. Calls from other networks may vary. Alternatively, visit www.citroen.co.uk for more information or to apply online.

CITROËN INSURANCE FOR BUSINESS

If you are a business user (Self employed, sole trader, partnership, Limited company) you may want to consider a Citroën Insurance *for Business* policy. Simply call 0845 301 5975.

Lines open 9am - 5pm weekdays only.

Citroën Insurance is underwritten by UK Insurance Ltd. UK Insurance Limited is authorised and regulated by the Financial Services Authority. Citroën Insurance is a trading style of Banque PSA Finance UK which is authorised by the "Organisme pour le Registre des Intermédiaires en Assurance" (ORIAS) in France under number 07 008 501 and regulated by the French regulatory authority, the "Autorité de Contrôle des Assurances et des Mutuelles" (ACAM) and subject to limited regulation by the Financial Services Authority in respect of some aspects of the conduct of UK Insurance mediation business. Details on the extent of our regulation by the Financial Services Authority are available from Banque PSA Finance UK on request.



All measurements in millimetres.



This brochure is made from paper from and well-managed forest. Citroën support responsible use of forest resources.

Please don't throw me away, give me to a friend or recycle me.

NOTE: Every endeavour has been made to ensure that the information and details contained in this brochure were accurate at the time of going to press January 2010. However the company reserves the right, whilst preserving the essential characteristics of the models described, to introduce at any time modifications, changes of details, equipment or accessories. Every effort will be made to bring this brochure up to date, but in order to avoid any misunderstandings please consult your Dealer. For full details of Citroën Care for Car and Driver, please see the full manufacturer's price list. The Citroën Website contains full information on all Citroën products and offers available in the UK, together with details of our environmental and recycling policies. The site address is: www.citroen.co.uk or you can contact Citroën directly via cuk_contactcentre@citroen.com

CITROËN prefers TOTAL

CITROËN UK Ltd. 221 Bath Road, Slough SL1 4BA.
www.citroen.co.uk

CRÉATIVE TECHNOLOGIE

