

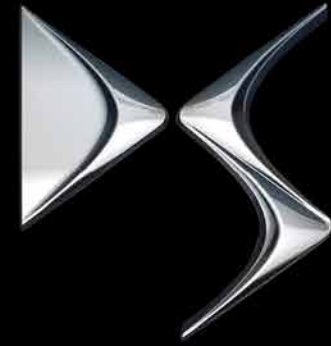
DS 3





IT'S ALL ABOUT PERSEVERANCE. YOU CAN HAVE A GREAT
IDEA BUT IF YOU DON'T FIGHT, IT WON'T GO ANYWHERE.

THIERRY METROZ
DESIGN DIRECTOR



D S L I N E

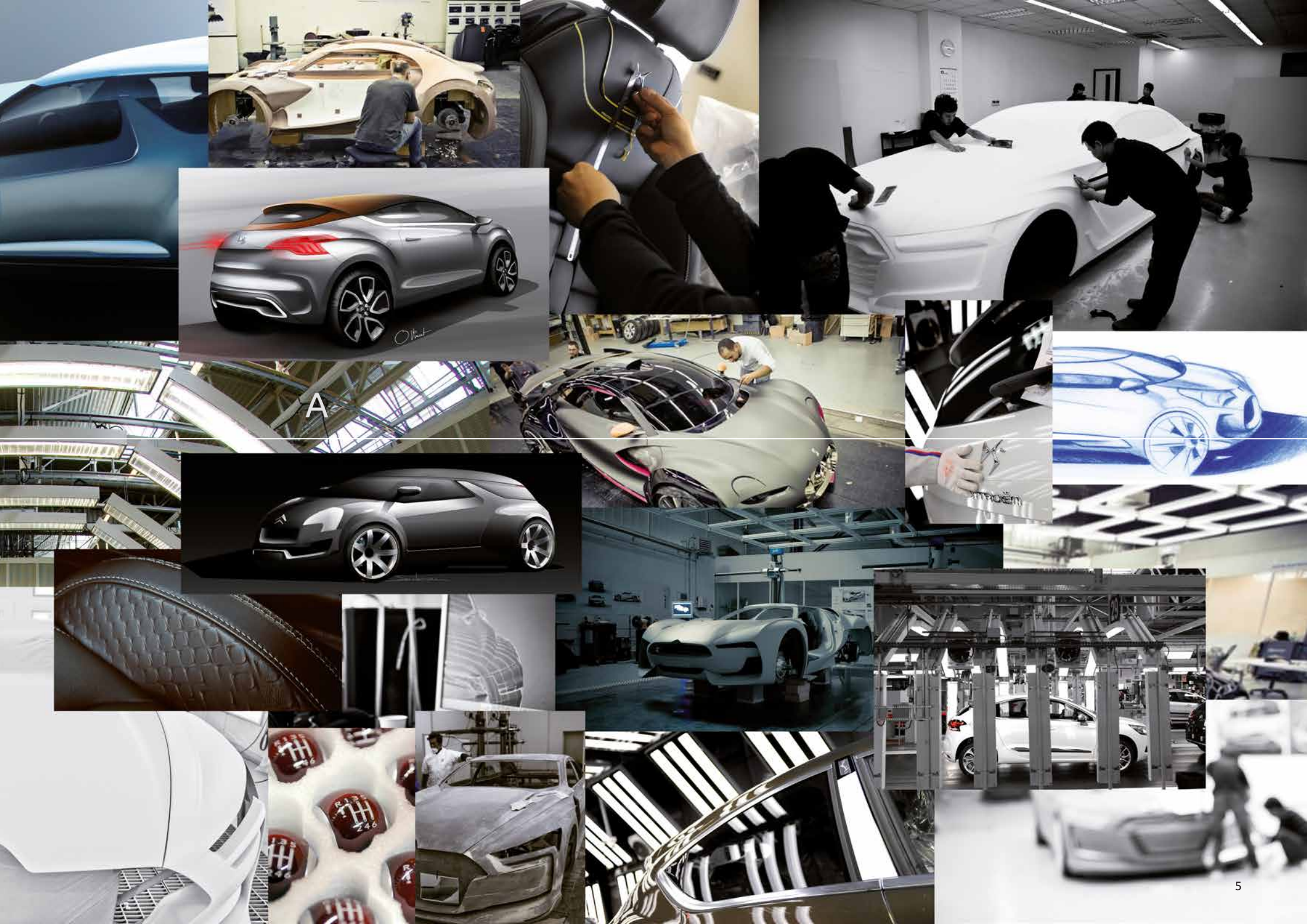
EVERY LINE IS JUSTIFIED BY A FUNCTION.

MARK LLOYD
STYLING MANAGER



D

N





D E S I G N

A



THOMAS D'HAUSSY
RANGE MANAGER

DESIGN



Sculpted flowing forms reflect DS 3's refined dynamic performance, yet we've maintained a taught compactness in the profile. We were keen to create elements of genuine surprise within its design character as well, clearly epitomised by the dramatic shark fin B pillar – like the design as a whole, that shape is fast becoming a bit of an icon.



CHRISTOPHE POINLANE
COLOURS AND MATERIALS STYLIST

COMFORT



You become one with DS 3 when you get in and drive. A big part of that process is about true comfort – it's in the high quality materials that surround you and that you touch, the layout of the controls, the technology... there's an engineered refinement that begins at ground level and is appealing in every sense.

THIERRY METROZ
DESIGN DIRECTOR

INDIVIDUAL



When we created DS 3, we aimed to provide maximum freedom for individual expression – to make it the antithesis of ‘me too’ and generic design. I believe it raises the bar for this kind of personal creative involvement, because the unique character and charisma of the car demand that you make it yours.





MARK LLOYD
STYLING MANAGER

STYLE



I think there's an innate desirability about DS 3. There are all kinds of unmistakable style cues that simply belong to this car – that you won't find anywhere else. True style grabs your attention – either at a glance or up close: it's in the magnetism of the whole – its street presence – and in all the details.



ANTI RETRO. EACH ELEMENT AND EVERY ANGLE OF DS 3 IS FRESH, ORIGINAL AND INNOVATIVE; ADVANCED AND RADICALLY DIFFERENT FROM OTHER CARS, IT IS A CLEAR EXPRESSION AND CELEBRATION OF CRÉATIVE TECHNOLOGIE.

BUT DS 3 IS ALSO ABOUT YOU, BECAUSE THROUGH ITS HUGE RANGE OF PERSONALISATION OPTIONS, IT ALLOWS YOU TO FINE TUNE A CAR THAT REFLECTS YOUR CHARACTER AND TASTE MORE CLEARLY AND STYLISHLY THAN EVER. THROUGH ELEGANT DESIGN, TACTILE QUALITY AND ADVANCED TECHNOLOGY, DS 3 TAKES FREEDOM OF EXPRESSION TO THE NEXT LEVEL.

› CROWNED 'BEST SMALL CAR':

DS 3 is the 'Best Small Car' of 2014*, according to a What Car? and JD Power owner satisfaction survey. The survey asked over 15,000 drivers to rate their own cars – the agile DS 3 clearly offers an exceptional owner experience.

WHATCAR?
JD POWER
SURVEY
2014
Best small car
Citroën DS3

› **CONTENTS:** 12 INTRODUCTION 14 OUTSIDE 16 INDIVIDUALITY 18 DRIVING EXPERIENCE 20 INSIDE 22 TECHNOLOGY & INNOVATION 24 SAFE & EFFICIENT 26 THE RANGE 28 YOUR EXTERIOR 30 YOUR INTERIOR 32 EQUIPMENT SPECIFICATION 34 TECHNICAL SPECIFICATION 36 ACCESSORIES 37 ENVIRONMENTAL COMMITMENT 38 FINANCE, CARE & INSURANCE 39 GLOSSARY & DIMENSIONS

* DS 3 received the highest numerical score among small cars in the proprietary J.D. Power & Associates 2014 UK Vehicle Ownership Satisfaction Study™. Study based on 15,562 UK consumer responses measuring 109 models and measures ownership satisfaction with two year old vehicles. Proprietary study results are based on experiences and perceptions of consumers surveyed January – March 2014. Your experiences may vary. Visit jdpower.com.

INSTANTLY ICONIC. DS 3 CREATES ITS OWN CLASS AND A NEW TRADITION. EVEN PARKED IT HAS A SUBTLE DYNAMISM AND SENSE OF MOVEMENT, THANKS TO INSPIRING DESIGN SURFACES AND SHAPES.

THE WHOLE PROFILE IS ROBUST AND CHUNKY, YET SMOOTH AND REFINED. A UNIQUE 'SHARK FIN' B PILLAR SWEEPS TOWARDS THE 'FLOATING' ROOFLINE, WHILE TWO ROWS OF SPARKLING LEDS CAN FLANK THE AGGRESSIVE, ROAD HUGGING LOWER GRILLE AND SPOTLIGHTS. THE CHROME UPPER GRILLE ELEGANTLY INCORPORATES THE DOUBLE CHEVRON. TAKE TIME TO LOOK FROM ANY ANGLE AND YOU'LL FIND SURPRISES, ORIGINAL IDEAS AND DELIGHTFUL DETAILS: A DESIGN ICON FOR NOW.





FORCE OF PERSONALITY. DS 3 CAN BE AS INDIVIDUAL AS A SIGNATURE. WITH NO FEWER THAN 10 STUNNING BODY COLOUR CHOICES AND 4 CONTRASTING SHADES FOR THE FLOATING ROOF PANEL, THE POTENTIAL FOR PERSONAL EXPRESSION IS VAST.

THE 16 INCH OR 17 INCH ALLOYS CAN BE PURE METAL OR PAINTED, AND AN EXCITING SELECTION OF ROOF GRAPHICS IS READY TO ADD HEAD-TURNING IMPACT. THE BOLD CURVING DASH COMES IN SIX STRIKING FINISHES AND EVEN THE REMOTE FLIP FEATURES A COLOURED DISC – A PERFECT LITTLE SYMBOL OF ULTIMATE PERSONALISATION!







A MOVING EXPERIENCE. NOTHING FEELS LIKE DS 3 ON THE MOVE: HERE'S A DRIVING EXPERIENCE LIKE NO OTHER. IT STARTS AS YOU SETTLE INTO THE SCULPTED, BEAUTIFULLY FINISHED DRIVING SEAT THAT'S SET SPORTY AND LOW.

THE COMPACT STEERING WHEEL FEELS JUST RIGHT AND ALL THE VITAL DIALS ARE SET IN A DEEPLY COWLED, CHROME-EDGED TRIPLE POD. TURN THE KEY AND BOTH SPEEDO AND REV COUNTER ZIP ROUND THEIR DIALS AND RETURN TO ZERO. YOU'RE READY TO GO.

There are three petrol engines, from the PureTech 82 and PureTech 110 S&S, to the exciting THP 165 S&S, and two super-economical diesels of 90hp or the 120hp, both emitting less than 100g/km CO₂. All engines balance refined power and the need for cleaner, greener driving.

› LIGHT FANTASTIC

Stunning headlights combine Xenon and LED technologies into a truly hypnotic gaze. Scrolling indicator lights stroke the outer edges in a display of futurism sure to turn heads as you turn corners.

› ROLLING SCULPTURE

Imposing alloy wheels hint at DS 3's poise and finely tuned handling.







LUXURY REINVENTED. THE DS 3 INSIDE STORY IS AN ORIGINAL. LOOK AROUND AND YOU'LL SEE INVITING, SERIOUSLY ENVELOPING SEATS, STYLISH AND CRYSTAL CLEAR INSTRUMENTS AND PERFECTLY HONED DETAILS, ALL IN HIGH QUALITY, TACTILE MATERIALS.

BRUSHED METAL, POLISHED CHROME AND LEATHER MAKE IT A SENSORY TREAT. THE BODY HUGGING DRIVER'S SEAT IS FULLY ADJUSTABLE AND AN OPTIONAL RETRACTABLE FRONT ARMREST ALSO FUNCTIONS AS A USEFUL STORAGE SPACE. EVERYWHERE THERE ARE BIG CAR REFINEMENTS AND INNOVATIVE LUXURY DETAILS, REDEFINED FOR DS 3.

› PEDAL POWER

On DSire and DSport models the tough, stylish, aluminium pedals have grippy rubber inserts for perfect footwork.



› SENSUAL WORLD

Lustrous finishes, supple leather and fresh shapes are a treat for your senses.

› ELEGANT COMFORT

The added comfort of a front armrest on selected versions, features a handy storage compartment.



INNOVATION EVERYWHERE.

ADVANCED TECHNOLOGY AND INTELLIGENT DETAILS CAN BE SEEN EVERYWHERE ON DS 3. LIKE EVERY DS, IT HAS INNOVATION IN ITS DNA.

THE RDS RADIO/MP3 CD PLAYER AND THE AUXILIARY SOCKET CAN BE DRAMATICALLY TRANSFORMED BY THE POWERFUL HI-FI SYSTEM. YOU CAN ALSO SELECT EMYWAY SAT NAV WITH EUROPEAN MAPPING, WHICH PROVIDES AERIAL VIEW DISPLAYS ON A 7 INCH 16/9 SCREEN. A HEAD TURNING SIGNATURE OF DS 3 IS ITS STYLISH, SAFE LED DAYTIME RUNNING LIGHTS THAT SPARKLE EITHER SIDE OF THE LOWER GRILLE.

> EFFORTLESS COOL

Automatic air conditioning – standard on DSire and DSport models – maintains an ideal interior temperature and is easy to adjust using the two clever multi-function dials.

> EMYWAY – YOUR WAY

Choose eMyWay sat nav with 7 inch colour screen and get to any European destination minus hassle.

> FRONT ROW SEATS

Placing you at the heart of every song, DS 3's optional Hi-Fi system adds a third central speaker in the dashboard and a rear integrated subwoofer within the boot.



> LOOKS GOOD, IS GOOD

The bold curves of the dashboard, with its chrome trimmed dials and fingertip controls house all your chosen technology: form and function in perfect harmony! Even the key fob is a little personalised work of art.

> MAKE THE CONNECTION

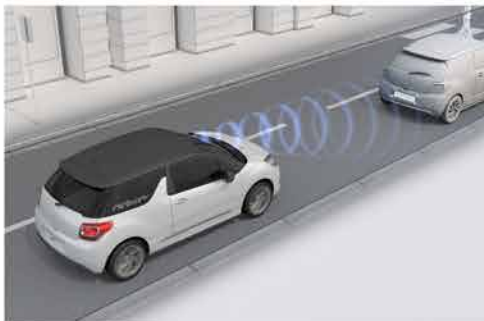
Connecting Box, standard on DStyle, DSire and DSport, includes a USB dock nestling in the centre console, meaning that you can charge your phone on the move or play music from your USB stick.



IT'S YOUR WORLD. DS 3 IS FOR INDIVIDUALS, AND UNDERSTANDS THAT PROTECTING YOUR LOVED ONES WHILE MINIMISING ENVIRONMENTAL IMPACT ARE IMPORTANT PERSONAL CHOICES.

THAT'S WHY ALL DS 3 MODELS HAVE STANDARD ESC, ABS WITH ELECTRONIC BRAKEFORCE DISTRIBUTION (EBD) AND EMERGENCY BRAKING ASSISTANCE (EBA), WHILE THE INTERIOR FEATURES NO FEWER THAN SIX AIRBAGS. THE EURO NCAP TEST HAS RECOGNISED DS 3'S ADVANCES, BY AWARDING IT THE MAXIMUM 5 STAR SAFETY RATING.

And if that doesn't stop you in your tracks, Active City Brake technology will. Sensors continually monitor the distance to the vehicle in front – if that distance reduces too quickly for you to come to a safe stop whilst driving below 20mph, Active City Brake technology will apply the brakes for you.



> SAFELY ANCHORED

Child safety is as important to us as it is to you. Isofix anchorage points on the outer rear seats ensure that children are safe and secure.

> CHANGE FOR GOOD

DS 3 helps you drive with the environment in mind thanks to its Gear Efficiency Indicator (GEI) on manual models, which lets you know exactly which gear is most efficient and reduces the ecological impact and fuel consumption.



TAKE FOUR INDIVIDUALS.
DS 3 IS A RANGE OF FOUR
MODELS. THEY ARE POINTS
OF DEPARTURE FOR YOUR
INDIVIDUALITY. HERE IS
WHERE YOUR OWN DS 3
COMES ALIVE.

WHETHER YOU GO FOR DSIGN OR DSTYLE, YOU'LL BE
STARTING WITH A BEAUTIFULLY STYLED AND BRILLIANTLY
ENGINEERED DS: WHERE BETTER TO BEGIN?



> DS 3 DSIGN



> DS 3 DSTYLE

DSIGN

A DRAMATIC ENTRANCE

FASCINATING FROM EVERY ANGLE, TEEMING WITH GREAT DETAILS AND READY TO RAISE A GRIN ON ANY DRIVE, DS 3 DSIGN HAS A VERY NON-STANDARD STANDARD SPECIFICATION THAT BRINGS YOU THE FEATURES AND TECHNOLOGY THAT MATTER.

> DS 3 DSIGN SPECIFICATION INCLUDES:

- ABS with Electronic Brakeforce Distribution and Emergency Braking Assistance
- Electronic Stability Control
- Driver's, front passenger's, front lateral and curtain airbags
- Front seat belt pre-tensioners with force-limiters
- Cruise control with speed limiter
- Remote central locking with deadlocks
- **LED Signature** – LED Daytime Running Lights (DRLs), front fog lights and chrome grille surrounds and chrome insert on rear number plate moulding
- 16 inch 'Nuclear' wheel covers
- Roof colour door mirrors
- Chrome door handles
- Chrome door sill protector
- Chrome side rubbing strips
- Electrically adjustable door mirrors
- Front electric windows with 'one-touch' operation on driver's side
- Rear 1/3-2/3 split/folding seats
- 12 volt socket in cabin
- Multi-function on-board trip computer
- Leather steering wheel
- Gear Efficiency Indicator (manual models only)
- Variable power assisted steering
- Sport suspension
- RDS stereo radio/MP3 CD player with six speakers and steering mounted controls
- AUX socket

DSTYLE

DYNAMIC IN DETAIL

FROM NOSE TO TAIL DS 3 DSTYLE FEATURES EXCLUSIVE DETAILS AND STYLING FLOURISHES, FROM ITS LEDS TO INTERIOR MOOD LIGHTING AND DARK TINTED WINDOWS. EVERY ELEMENT HAS BEEN METICULOUSLY CHOSEN TO HEIGHTEN DS 3'S SENSORY IMPACT. AND IT'S EVEN AVAILABLE AS A 95G/KM CO₂ MODEL.

> DS 3 DSTYLE SPECIFICATION IN ADDITION TO DSIGN INCLUDES:

- 16 inch black 'Ashera' alloy wheels
- Dark tinted rear windows
- Air conditioning
- Interior mood lighting
- Scented air freshener
- **Connecting Box** – Bluetooth® handsfree with USB socket

	DSign	DStyle
PETROL ENGINE AVAILABILITY		
PureTech 82 manual	•	
PureTech 110 S&S manual		•
VTi 120 automatic		•
DIESEL ENGINE AVAILABILITY		
e-HDi 90 manual		•

MORE POWER TO YOU.

DS 3 DSIRE AND DSPORT
MODELS START WITH MORE.
MORE EQUIPMENT, MORE
LUXURY, MORE INDIVIDUALITY...
SAY NO MORE.



› DS 3 DSIRE



› DS 3 DSPORT

DSIRE

HEART AND SOUL

BIGGER ALLOYS, A REAR SPOILER, DOUBLE CHROME EXHAUST AND LUXURY TO YOUR HEART'S CONTENT. DS 3 DSIRE SETS YOUR PULSE RACING SO NATURALLY GETS OUR MOST POWERFUL PETROL AND DIESEL ENGINES.

› DS 3 **DSIRE** SPECIFICATION IN ADDITION TO DSTYLE INCLUDES:

- 17 inch grey 'Aphrodite' alloy wheels
- Rear spoiler with integrated third brake light
- Double chrome exhaust pipe
- Aluminium drilled pedals
- Sport seats
- Automatic lights and windscreen wipers
- Automatic air conditioning
- Rear parking sensors
- Front armrest
- Height-adjustable front passenger's seat

DSport

THE ULTIMATE

THE DEFINITIVE DS 3 MIXES LAVISH DETAILS, EYE CATCHING STYLE, INGENIOUS TECHNOLOGY AND FINE MATERIALS TO CREATE THE ULTIMATE FORMULA. ALL THAT'S LEFT TO DO IS ADD YOU.

› DS 3 **DSport** SPECIFICATION IN ADDITION TO DSIRE INCLUDES:

- 17 inch black 'Bellone' alloy wheels
- New Xenon Full LED Signature
- **Auto Signature** – Active City Brake, automatic air conditioning, automatic lights and windscreen wipers, electrochromic rear view mirror, electrically heated folding door mirrors
- High quality leather steering wheel with chrome inserts
- Leather gear knob
- Leather door panels
- Front and rear carpet mats
- Citroën eTouch Emergency & Assistance System

	DSire	DSport
PETROL ENGINE AVAILABILITY		
THP 165 S&S 6-speed manual	•	•
DIESEL ENGINE AVAILABILITY		
BlueHDi 120 6-speed manual	•	•



THE PERSONAL JOURNEY: OUTSIDE.
THE POSSIBILITIES ARE ENDLESS...
DS 3 PRESENTS A MULTITUDE OF
WAYS TO MAKE IT A VERY PERSONAL
CHOICE. ONCE YOU'VE CHOSEN
FROM 10 STUNNING BODY COLOURS,
IT'S TIME TO CONSIDER A SHADE
FOR THAT 'FLOATING' ROOF. TAKE
YOUR TIME; THERE ARE 32 POTENTIAL
COMBINATIONS...

> DOOR MIRROR COLOURS



> KEY COLOURS



ROOF COLOURS



BODY COLOURS



16 INCH 'NUCLEAR'
WHEEL COVERS
Tyres: 195/55 R16

16 INCH BLACK
'ASHERA' ALLOY
WHEELS
Tyres: 195/55 R16

17 INCH GREY
'APHRODITE' ALLOY
WHEELS
Tyres: 205/45 R17

17 INCH BLACK
'BELLONE' ALLOY
WHEELS
Tyres: 205/45 R17



(M) Metallic (P) Pearlescent

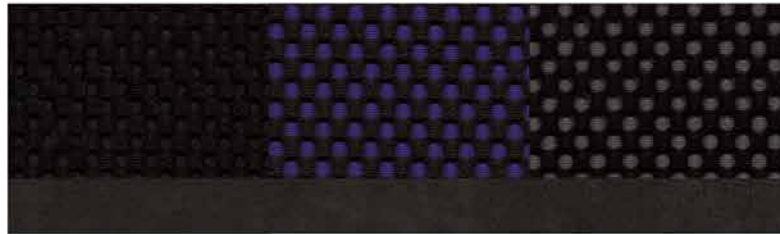
Please note: Colours and pictures shown are for illustration purposes only. Please consult your Dealer for definitive colour and trim/upholstery details. Please check the DS 3 'Touch' brochure for availability, cost and the full range of wheels.

THE PERSONAL JOURNEY: INSIDE. INDULGE YOUR SENSES INSIDE DS 3 AND CREATE AN INTERIOR THAT REFLECTS YOU. EVERY DETAIL CAN BE FINE TUNED TO YOUR TASTES.

> TRIMS



Mistral 'Rayados' cloth



'Akinen' cloth in Mistral, Infinite Blue or 'Brun Chic' with Mistral Alcantara®



Mistral 'Sturm' cloth



Black leather pack, Granite Blue leather pack or Grey/black leather pack

> GEAR LEVERS



Black



Moondust



Black leather



White



Infinite Blue

> DASHBOARDS



FREEDOM TO EXPRESS YOURSELF.

ACCESSORISE YOUR DS 3 WITH A CHOICE OF 6 NEW ROOF DESIGNS, IN VARIOUS COLOURS TO PERFECTLY REFLECT YOUR PERSONALITY AND STYLE.

THESE UNIQUE ROOF DESIGNS ARE AVAILABLE AS ACCESSORIES. FOR MORE WAYS TO PERSONALISE YOUR DS 3 VISIT WWW.ACCESSORIES.CITROEN.CO.UK



EQUIPMENT SPECIFICATION

	DSign	DStyle	DSire	DSport
SAFETY & SECURITY				
ABS with Electronic Brakeforce Distribution and Emergency Braking Assistance	●	●	●	●
Electronic Stability Control (ESC)	●	●	●	●
Driver, front passenger, front lateral and curtain airbags	●	●	●	●
Front seat belt pre-tensioners with force-limiters	●	●	●	●
Five three-point inertia reel seat belts	●	●	●	●
Unfastened seat belt warning for driver's seat	●	●	●	●
Automatic activation of hazard warning lights	●	●	●	●
Remote central locking with deadlocks	●	●	●	●
Automatic door and boot locking	●	●	●	●
Rear ISOFIX anchorage points	●	●	●	●
Cruise control with speed limiter	●	●	●	●
Active City Brake		○ ¹		●
Anti-theft alarm				●
Citroën eTouch Emergency & Assistance System				●

	DSign	DStyle	DSire	DSport
LIGHTING & VISIBILITY				
Halogen headlights	●	●	●	●
New Xenon Full LED Signature	○	○		●
Electrically adjustable door mirrors	●	●	●	●
Electrically heated folding door mirrors	○ ¹	○ ¹	●	●
Electrochrome rear view mirror	○ ¹	○ ¹	●	●
LED Signature – LED Daytime Running Lights (DRLs), front fog lights chrome surrounds, front grille chrome surround and chrome insert on rear number plate moulding	●	●	●	●
Automatic lights and windscreen wipers	○ ¹	○ ¹	●	●
3D LED Rear lights	●	●	●	●
Boot light	●	●	●	●
Front courtesy reading lights	●	●	●	●
Front fog lights	●	●	●	●
Interior mood lighting		●	●	●

	DSign	DStyle	DSire	DSport
DRIVER INFORMATION				
Tyre pressure monitor	●	●	●	●
Multi-function on-board trip computer (current fuel consumption, average fuel consumption, distance covered, average speed and range on remaining fuel)	●	●	●	●
Puncture repair kit	●	●		
Space saver steel spare wheel			●	●
Rev counter	●	●	●	●
Gear Efficiency Indicator	●	○ ²	●	●
Exterior temperature display	●	●	●	●
'Black panel' on/off instrument lighting	●	●	●	●

	DSign	DStyle	DSire	DSport
STYLE				
EXTERIOR				
Matching body/roof colour	●	●	○	○
Contrasting body/roof colour	○	○	●	●
Roof colour door mirrors with chrome base	●	●	●	●
Chrome side rubbing strips	●	●	●	●
Chrome front fog light surrounds	●	●	●	●
Chrome front grille surround	●	●	●	●
Chrome insert on rear number plate moulding	●	●	●	●
Coloured key	●	●	●	●
Chrome door handles	●	●	●	●
Rear spoiler with an integrated third brake light			●	●
Dark tinted rear windows		●	●	●
Double chrome exhaust pipe			●	●

	DSign	DStyle	DSire	DSport
INTERIOR				
'Soft-touch' effect upper dashboard	●	●	●	●
Black centre console	●			
Gloss black centre console		●	●	●
Black interior door handle surrounds	●			
Gloss black interior door handle surrounds		●	●	●
Chrome gear surround		●	●	●
Leather handbrake with chrome insert		●	●	●
Leather effect gear knob and gear lever		●	●	●
Leather steering wheel with aluminium effect inserts	●			
Leather steering wheel with chrome inserts		●	●	
High quality leather steering wheel with chrome inserts				●
Front and rear carpet mats				●
Aluminium drilled pedals		○ ^{3/4}	●	●
Chrome door sill protector	●	●	●	●

	DSign	DStyle	DSire	DSport
STORAGE				
Front door pockets with bottle holder	●	●	●	●
Front seat back pockets				●
Lashing eye in the boot	●	●	●	●

Please check the DS 3 'Touch' brochure for further equipment availability and cost.

- Standard equipment
- Optional factory fitted equipment

- 1 Available only as part of optional City or Auto Signatures.
- 2 Excludes automatic version.
- 3 Available only when optional half Alcantara® trims are ordered.
- 4 Available only when optional leather packs are ordered.
- 5 Mobile phone compatibility can vary by phone manufacturer. Please consult your Dealer for further compatibility information.

	DSign	DStyle	DSire	DSport
COMFORT & CONVENIENCE				
Variable power assisted steering	•	•	•	•
Sport suspension	•	•	•	•
Height and reach adjustable steering wheel	•	•	•	•
Scented air freshener	•	•	•	•
12 volt socket in cabin	•	•	•	•
Air recirculation and pollen filter	•	•	•	•
Driver's and passenger's sunvisor with courtesy mirror	•	•	•	•
Front electric windows with 'one-touch' operation driver's side	•	•	•	•
Air conditioning	•	•	•	•
Automatic air conditioning	o ¹	o ¹	•	•
Rear parking sensors	o ¹	•	•	•
Front armrest	o ¹	•	•	•

	DSign	DStyle	DSire	DSport
SEATING				
Height-adjustable driver's seat	•	•	•	•
Height-adjustable front passenger's seat	o ^{3/4}	o ^{3/4}	•	•
Three rear head restraints	•	•	•	•
Rear 1/3-2/3 split/folding seats	•	•	•	•
IN-CAR ENTERTAINMENT				
RDS radio/MP3 CD player with six speakers, AUX socket and steering mounted controls	•	•	•	•
Connecting Box – Bluetooth® handsfree with USB socket		• ⁵	• ⁵	• ⁵



TECHNICAL SPECIFICATION



78.5mpg
on BlueHDi 120
6-speed manual



94g/km CO₂
on BlueHDi 120
6-speed manual

MPG figures are achieved under official EU test conditions, intended as a guide for comparative purposes only, and may not reflect actual on-the-road driving conditions.

	PETROL MODELS						DIESEL MODELS	
	PureTech 82 manual	PureTech 110 S&S manual	VTi 120 automatic	THP 165 S&S 6-speed manual	e-HDi 90 Airdream manual	BlueHDi 120 6-speed manual		
ENGINE								
Capacity (cc)	1199	1199	1598	1598	1560	1560		
Cylinders	3	3	4 in line	4 in line	4 in line	4		
Max power CEE (kW/rpm)	60/5750	81/5500	88/6000	120/6000	68/4000	88/3500		
Max torque CEE (Nm/rpm)	118/2750	205/1500	160/4200	240/1750	230/1750	285/1750		
Fuel system	Multi-point electronic fuel injection	Multi-point electronic fuel injection	Multi-point electronic fuel injection	Multi-point electronic turbocharged fuel injection	High pressure direct diesel injection	High pressure direct diesel injection		
Euro status	Euro 5	Euro 6	Euro 5	Euro 6	Euro 5	Euro 6		
TRANSMISSION								
Four speed automatic			•					
Five speed manual	•	•			•			
Six speed manual				•		•		•
Clutch type	Dry single plate	Dry single plate	N/A	Dry single plate	Dry single plate	Dry single plate		Dry single plate
PERFORMANCE								
(All figures driver alone)								
Max speed (mph)	108	118	118	135	113	118		
0-62mph (secs)	14.2	9.6	10.9	7.5	12.5	9.3		
Standing 1000m (secs)	35.4	31.0	32.4	28.2	34.2	30.8		
ECONOMY Litres/100km (mpg)								
(Official Government test fuel consumption figures)	16" wheels	17" wheels		16" wheels	17" wheels			
Urban cycle	5.5 (51.4)	5.6 (50.4)	5.9 (47.9)	9.3 (30.4)	9.5 (29.7)	7.1 (39.8)	4.3 (65.7)	4.4 (64.2)
Extra urban	3.9 (72.4)	4.1 (68.9)	4.0 (70.6)	4.9 (57.6)	5.1 (55.4)	4.6 (61.4)	3.3 (85.6)	3.2 (88.3)
Combined	4.5 (62.8)	4.6 (61.4)	4.7 (60.1)	6.5 (43.5)	6.7 (42.2)	5.6 (50.4)	3.6 (78.5)	3.6 (78.5)
CO₂ EMISSIONS (g/km)								
	104	107	107	150	150	129	95	94
WEIGHTS (kg)								
Please note: the maximum plated weights must not be exceeded								
Kerb Weight	975	1070	1089	1140	1085	1150		
Mass in service	1120	1205	1222	1225	1160	1275		
Max laden weight	1496	1578	1587	1605	1625	1665		
Max towing weight braked/unbraked	1100/520	1150/570	1150/570	1150/570	1150/570	1150/570		1150/570
Max roof rack load	70	70	70	70	70	70		70
BRAKES								
	ESC and ABS with EBD and EBA standard on all models							
Front discs, rear drums	•							•
Front discs, rear discs		•	•	•	•	•		
STEERING								
	Variable power assisted steering							
Number of turns lock to lock	3.1	3.1	3.1	3.1	3.1	3.1		3.1
Turning circle between kerbs (m)	10.2	10.2	10.4	10.4	10.4	10.4		10.4
SUSPENSION								
	Pseudo MacPherson strut front with deformable beam rear							
FUEL TANK CAPACITY Litres (gallons)								
	48 (10.6)							
EXTERIOR DIMENSIONS (mm)								
Length/Width/Height/Wheelbase	3948/1715/1483/2464							
BOOT VOLUMES & DIMENSIONS								
Seats up – below parcel shelf max (litres VDA)	285							

EFFICIENCY MINUS COMPROMISE. CITROËN HAS CREATED FUELEFFICIENT VEHICLES WITHOUT SACRIFICING DRIVER ENJOYMENT FOR SOME TIME. THE LATEST ADVANCES TAKE THIS FINE BALANCE FURTHER STILL...

WITH THE PROVEN CREDENTIALS AND ENVIRONMENTAL PERFORMANCE OF CITROËN HDi DIRECT INJECTION ENGINES AS INSPIRATION, e-HDi ADDS NEW TECHNOLOGY, SUCH AS A SMOOTH, SIMPLE STOP & START SYSTEM AND ETG. STOP & START PUTS THE ENGINE INTO IDLE MODE AS YOU DECELERATE AND STOPS ALTOGETHER AS YOU COME TO A HALT. THE MOMENT YOU TAKE YOUR FOOT OFF THE BRAKE, IT RESTARTS SILENTLY AND WITHOUT VIBRATION. THE RESULTS ARE A DRAMATIC REDUCTION IN BOTH FUEL CONSUMPTION AND CO₂ EMISSIONS, COMBINED WITH RESPONSIVE PERFORMANCE WHEREVER YOU GO.

We've also been equipping more of our vehicles with more environmentally friendly breakthroughs, such as our Efficient Tronic Gearbox (ETG), which boasts impressively greener credentials, with less pollution and up to 5% more economy than a conventional manual gearbox system. In addition, Citroën has expanded the use of the exceptionally efficient, self-regenerating Diesel Particulate Filter System in our models. Cleaner, greener driving without taking away from the drive – that's what you can continue to expect from Citroën.



> PURE TECHNOLOGY

Demonstrating Citroën's commitment to Créative Technologie, PureTech engines provide increased power with lower fuel consumption and emissions by adopting a smaller and lighter three cylinder configuration constructed of pressure-cast aluminium. In conjunction with low friction component coatings, improved air and fuel flow and optimised combustion, this allows engines to offer more power, better fuel economy and significantly lower CO₂ emissions.

> ELECTRIFYING. HOWEVER YOU LOOK AT IT

Forget what you know about electric cars. Citroën Survolt concept combines undiluted glamour with advanced sporting dynamics, then adds a 100% electric drivetrain. Outside, LED lights, voluptuous curves, two-tone charcoal and fuchsia paintwork, and a race-inspired rear spoiler meet your gaze. Inside, a stunning blend of curved chrome, swooping glass, high technology and organic forms welcomes you to an entirely new place. But this is no simple styling exercise. At heart, Survolt is even more radical, because although it is designed to thrill, it is powered purely by silent, efficient, clean electricity.



DRIVE YOUR WAY. GET BEHIND THE WHEEL OF YOUR NEW DS 3, WITH CITROËN'S RANGE OF FINANCE AND INSURANCE PRODUCTS.

CITROËN FINANCIAL SERVICES

PURCHASE PLAN

Own your vehicle with this flexible package designed to fit your budget.

ELECT 3

A new Citroën car every two or three years with monthly payments structured to suit your budget.

ELECT 4

Enjoy the convenience of a new car without the stress and hassle of ownership.

TO FIND OUT MORE ABOUT CITROËN PRODUCTS AND SERVICES, GO TO WWW.CITROEN.CO.UK OR CONTACT YOUR CITROËN DEALER.

FOR BUSINESS USERS

CITROËN CONTRACT MOTORING

HIRE PURCHASE

A tried and tested finance package that allows you to own your vehicle.

BUSINESS LEASE

An alternative to vehicle ownership that allows you to control your business cash flow and gain tax efficiencies.

LEASE PURCHASE

Own a vehicle with a finance solution that offers ultimate flexibility to complement your business cash flow.

CONTRACT HIRE

A non-ownership finance solution that keeps costs fixed and risks low.

FOR MORE INFORMATION ON CITROËN FLEET AND BUSINESS SALES, PLEASE CALL CITROËN FLEET CONNECT ON 08457 940 940 OR LOOK US UP AT WWW.CITROEN.CO.UK/FLEET

CITROËN INSURANCE

INSTANT COVER

To help you drive away your new car without delay, we offer Instant Cover insurance, providing you with 7 days comprehensive car insurance, for free!

MOTOR INSURANCE

Citroën Insurance has been designed specifically for our vehicles. You don't just get repairs you get Citroën expertise, service, quality and parts. So, when the time comes to renew your insurance cover, call Citroën Insurance on 0870 024 2725.

Lines open 8am - 8pm weekdays, 9am - 5pm Saturdays. Max call charge from a BT landline is 8p per minute. Calls from other networks may vary. Alternatively, visit www.citroen.co.uk for more information or to apply online.

Citroën Insurance is underwritten by UK Insurance Limited which is authorised and regulated by the Financial Conduct Authority. Citroën Insurance is a trading style of Banque PSA Finance UK of Quadrant House, Princess Way, Redhill, Surrey, RH1 1QA.

CARE FOR YOUR NEW DS 3 AND IT WILL LOOK AFTER YOU – LIKE EVERY DS IT'S PART OF LEGENDARY ENGINEERING HERITAGE WITH RELIABILITY BUILT IN.

WITH THE ADDED REASSURANCE OF A WARRANTY, ROUTINE SERVICING AND MAINTENANCE, AS WELL AS 24-HOUR ROADSIDE ASSISTANCE, YOU ARE PROTECTED.

CITROËN WARRANTY

Every new Citroën car has the benefit of a 3 year* warranty package, plus a 12 year anti-perforation** warranty and a 3 year paint warranty.

* 2 years' unlimited warranty. No-fee customer option of 1 year's Dealer provided warranty, only on cars sourced from Citroën UK Limited. Note: Dealer provided warranty is limited to 60,000 miles for cars.

** Against all internal to external perforation to bodywork or underbody.

CITROËN ASSISTANCE

In response to a free telephone call in the UK, Citroën Assistance brings rapid expert roadside assistance to you in an emergency. It comes free of charge for a full year and operates 24 hours a day in all parts of the UK and Europe. Services include nationwide recovery for both car and passengers, a home call service, replacement vehicle, hotel accommodation and vehicle storage if required. Please note, Citroën Assistance only applies to incidents covered by the new vehicle warranty, and excludes non-vehicle faults, such as running out of fuel, mis-fuelling, loss of keys, lock-ins, road traffic accidents and punctures/wheel changes.

Full details are available on request from Citroën UK via cuk_contactcentre@citroen.com

CITROËN MAINTENANCE

From roadside assistance to replacing wear and tear parts or regular servicing, with Citroën Maintenance you have total peace of mind. For a one-off fee or low monthly payment, our experienced engineers will take care of your Citroën, whatever happens.

To find out more, contact your Citroën Dealer or Citroën Authorised Repairer.

CITROËN SERVICING

Available up to 1 year from your vehicle's registration date, but before its first chargeable service, a Citroën Servicing Package enables you to pay in advance for your vehicle's servicing needs for 3 years/35,000 miles.

For further information, please contact your Citroën Dealer.

GLOSSARY

› BlueHDi DIESEL ENGINE

The BlueHDi 120 engine is Euro 6 compliant and offers a more powerful Diesel option versus the e-HDi 90 engine with less CO₂ emissions.

› e-HDi DIESEL ENGINE

The e-HDi 90 manual engine is capable of up to 78.5mpg and CO₂ emissions of as little as 95g/km. It has a reversible starter-alternator that works in tandem with an e-booster to provide a seamless Stop & Start function. Going further than other similar systems, the e-HDi's Stop & Start puts the engine into idle mode while decelerating before coming to a complete standstill. This reduces consumption by 15% in urban driving.

› ANTI-LOCK BRAKING SYSTEM (ABS)

Computer-controlled braking assistance designed to prevent the wheels from locking under extreme braking. This enables the car to continue being steered and therefore controlled during this braking incident. The DS 3's ABS system is further enhanced with EBA and EBD.

› ELECTRONIC BRAKEFORCE DISTRIBUTION (EBD)

A conventional ABS system cannot account for any of the four wheels wanting to lock more quickly than the others (for example, two of the wheels may be on snow and two on tarmac). EBD reads the deceleration rate of each wheel individually and applies the ABS principles accordingly.

› EMERGENCY BRAKING ASSISTANCE (EBA)

As drivers we find it difficult to instinctively brake very hard, but this is often what is needed in those rare emergency situations. The EBA system recognises our 'attempt' to brake hard and in combination with the ABS and EBD systems instantly applies the maximum stopping power possible.

› ELECTRONIC STABILITY CONTROL (ESC)

This is computer-controlled traction assistance and is provided primarily through the braking systems. The ESC's control unit constantly compares where the driver intends going (through the position of the steering wheel) with where the vehicle is actually going and, if necessary, makes speed corrections to each wheel individually through braking or engine torque to keep the vehicle 'in line'.

› EMYWAY SATELLITE NAVIGATION SYSTEM

The eMyWay satellite navigation system features a 7 inch screen and covers UK and Europe. Its in-built memory provides information about speed limits and lets you know which lane to use when reaching complex intersections. The system also lets you adapt your route based on traffic conditions, with data provided by Trafficmaster and ViaMichelin in the UK and France.

› ON-BOARD TRIP COMPUTER

The DS 3's multi-function on-board trip computer provides you with information at your fingertips. At the touch of a button you can view a range of data like fuel consumption, average speed and mileage possible at your current fuel level.

› VARIABLE POWER ASSISTED STEERING

A system that provides extra power assistance for a vehicle's steering at low speeds (such as turning a sharp corner) and less assistance during high-speed situations.

› CITROËN ETOUCH EMERGENCY AND ASSISTANCE SYSTEM

In the event of an accident or sudden health problem, one push of the 'SOS' button will instantly contact the emergency services. If there's a more serious incident, SOS activates automatically. After a breakdown, one push on the 'chevron' button will alert Citroën Assistance, sending both location details and an initial fault report.

› RADIO DATA SYSTEM (RDS)

Traffic information on FM radio, allowing the station name and other information to be transmitted alongside audio information.

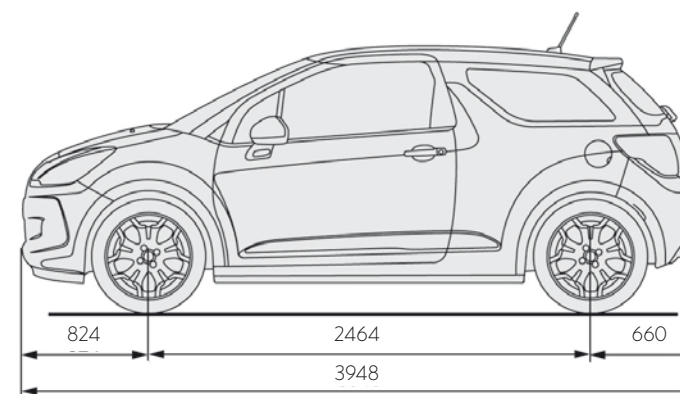
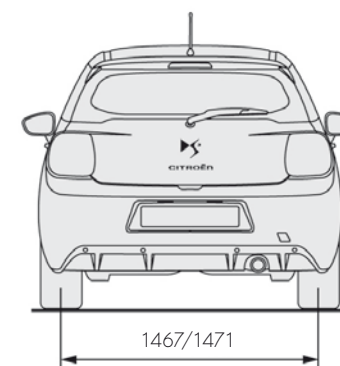
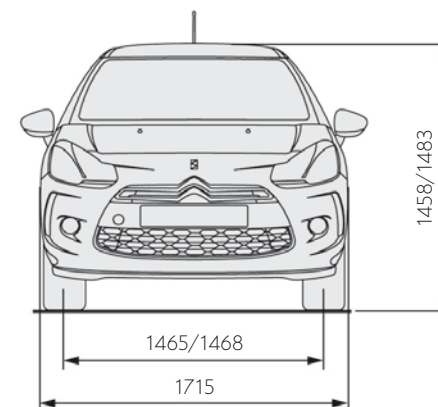
› FRONT SEAT BELT PRE-TENSIONERS

In the event of a crash, a pre-tensioner will tighten the seat belt almost instantaneously. This reduces the load on the occupant in a violent crash. Like airbags, pre-tensioners are triggered by sensors in the car's body, and use explosively expanding gas to drive a piston that retracts the belt. Seat belt pre-tensioners also lower the risk of 'submarining', which is when a passenger slides forward under a loosely worn seat belt.

› ISOFIX

A standardised and more simple method for installing child seats, each seat is 'clicked' into place via a three point system. On DS 3, Isofix is installed on the outer rear seats.

DIMENSIONS



All measurements are in millimetres.



This brochure is made from paper from a well-managed forest. Citroën support responsible use of forest resources.

Please don't throw me away, give me to a friend or recycle me.

NOTE: Every endeavour has been made to ensure that the information and details contained in this brochure were accurate at the time of going to press November 2014. However the company reserves the right, whilst preserving the essential characteristics of the models described, to introduce at any time modifications, changes of details, equipment or accessories. Every effort will be made to bring this brochure up to date, but in order to avoid any misunderstandings please consult your Dealer. For full details of Citroën Care for Car and Driver, please see the full manufacturer's price list. The Citroën Website contains full information on all Citroën products and offers available in the UK, together with details of our environmental and recycling policies. The site address is: www.citroen.co.uk or you can contact Citroën directly via cuk_contactcentre@citroen.com

CITROËN prefers **TOTAL**

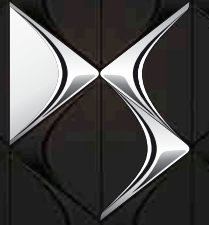
CITROËN UK Ltd. Pinley House, 2 Sunbeam Way, Coventry CV3 1ND.

www.citroen.co.uk

Designed and produced by Acuity

www.weareacuity.com

K12398A November 2014



DS 3 PLUS PACK





Somewhere between design inspiration and practical reality, the spark of originality is often compromised. Not DS line, as DS 3 makes vividly clear. Here, every unique flourish, fresh innovation, bold curve and sensual finish reflects the inspiration of its creators.

This is why it looks like no other car; why an audacious 'shark fin' form rises dramatically from the waistline; why the roofline appears to float above the glass house and body, and why you can walk around DS 3 again and again spotting fresh, pleasing details. Here is a unique distillation of what makes DS so different.



PLUS VIBRANCY. PLUS TECHNOLOGY. PLUS PRESENCE. THE RADICAL, ELEGANT DS 3 AND DS 3 CABRIO ARE NOW AVAILABLE WITH EVEN MORE.

FROM DSIGN TO DSPORT, INCLUDING CABRIO MODELS, ADDING DS 3 PLUS PACK BRINGS NEW LEVELS OF EQUIPMENT AND TECHNOLOGY. STUNNING ALLOY WHEELS AND AIR CONDITIONING, PLUS ON CERTAIN VERSIONS XENON FULL LED SIGNATURE LIGHTING, ACTIVE CITY BRAKE AND LEATHER UPHOLSTERY. START WITH A GREAT STANDARD SPECIFICATION AND THEN MAKE IT EXCEPTIONAL WITH DS 3 PLUS PACK.





DSport versions with DS 3 Plus Pack also have black leather interior as standard. Plus, to highlight the stunning body colours they are finished with chrome door mirror covers. This enhances a specification that already comprises a Bluetooth® handsfree and media streaming with USB socket, Hi-Fi system and anti-theft alarm, leather trimmed steering wheel with chrome inserts and dark tinted rear windows. The safety technology is just as comprehensive and includes ABS with Electronic Brakeforce Distribution, Emergency Braking Assistance, Active City Brake and an Electronic Stability Control. Just one question remains: what body and roof combination will you choose?



BODY COLOURS



ROOF COLOUR



TRIMS



Mistral 'Sturm' cloth

16 INCH 'ASHERA' ALLOY WHEELS

Tyres: 195/55 R16



(M) Metallic

DSIGN PLUS PACK ENHANCED BASE

➤ DS 3 **DSIGN** SPECIFICATION INCLUDES:

- 16 inch 'Nuclear' wheel covers
- LED Daytime Running Lights (DRLs)
- Chrome front grille and fog light surrounds with chrome insert on rear number plate moulding
- Chrome side rubbing strips
- Front fog lights
- Chrome door handles
- Rear 3D effect LED lights
- Electrically adjustable door mirrors
- Aluminium effect dashboard
- Soft-touch ' effect upper dashboard
- Black centre console
- Leather steering wheel with aluminium effect inserts
- Cruise control with speed limiter
- Sport suspension
- Variable power assisted steering
- Gear Efficiency Indicator
- Electronic Stability Control

➤ ADDITIONAL SPECIFICATION WITH THE **DSIGN PLUS PACK** INCLUDES:

- 16 inch 'Ashera' alloy wheels
- Air conditioning



BODY COLOUR SUMMARY	ROOF COLOUR		
	White	Infinite Blue	Black
Polar White	•	•	•
Shark Grey (metallic)	•	•	•
Arctic Steel (metallic)	•	•	•
Ruby Red (metallic)	•	•	•
Perla Nera Black (metallic)	•	•	•
Ink Blue (metallic)	•	•	•
Belle Ile Blue (metallic)	•	•	•
Sport Yellow	•	•	•

DSTYLE PLUS PACK

URBAN REGENERATION

> DS 3 DSTYLE SPECIFICATION INCLUDES:

- 16 inch black 'Ashera' alloy wheels
- LED Daytime Running Lights (DRLs)
- Chrome front grille and fog light surrounds with chrome insert on rear number plate moulding
- Front fog lights
- Chrome side rubbing strips
- Dark tinted rear windows
- Leather steering wheel with chrome inserts
- Front electric windows with 'one-touch' operation on driver's side
- Leather handbrake
- Gloss black dashboard
- Chrome gear surround
- Scented air freshener
- Gear Efficiency Indicator (excludes automatic versions)
- Cruise control with speed limiter
- Sport suspension
- Air conditioning
- **Connecting Box** – Bluetooth® handsfree and media streaming with USB socket

> ADDITIONAL SPECIFICATION WITH THE DSTYLE PLUS PACK INCLUDES:

- 17 inch black 'Aphrodite' alloy wheels
- Contrasting body/roof colour
- **City Signature** – interior mood lighting, automatic digital air conditioning, automatic lights and windscreen wipers, auto-dimming electrochromic rear view mirror, rear parking sensors, front armrest, electrically heated folding door mirrors

BODY COLOUR SUMMARY	ROOF COLOUR				
	White	Infinite Blue	Moondust Grey	Black	Monotone
Polar White	•	•	•	•	•
Shark Grey (metallic)	•	•	•	•	•
Arctic Steel (metallic)	•	•	•	•	•
Ruby Red (metallic)	•	•	•	•	•
Perla Nera Black (metallic)	•	•	•	•	•
Ink Blue (metallic)	•	•	•	•	•
Belle Ile Blue (metallic)	•	•	•	•	•
Whisper Purple (metallic)	•	•	•	•	•
Pearl White (pearlescent)	•	•	•	•	•
Sport Yellow	•	•	•	•	•



BODY COLOURS



ROOF COLOUR



TRIMS



17 INCH BLACK 'APHRODITE' ALLOY WHEELS

Tyres: 205/45 R17



(M) Metallic (P) Pearlescent

BODY COLOURS



ROOF COLOUR



TRIMS



Mistral Akinen cloth and Mistral Alcantara®

17 INCH BLACK 'APHRODITE' ALLOY WHEELS

Tyres: 205/45 R17



(M) Metallic (P) Pearlescent

DSIRE PLUS PACK HIGHLY CONNECTED

> DS 3 DSIRE SPECIFICATION INCLUDES:

- 17 inch grey 'Aphrodite' alloy wheels
- Rear spoiler with integrated third brake light
- Double chrome exhaust pipe
- Aluminium pedals
- Sport seats
- Automatic lights and windscreen wipers
- Automatic air conditioning
- Rear parking sensors
- Front armrest
- Height-adjustable front passenger's seat

> ADDITIONAL SPECIFICATION WITH THE DSIRE PLUS PACK INCLUDES:

- Xenon Full LED Signature
- Active City Brake
- 17 inch black 'Aphrodite' alloy wheels



BODY COLOUR SUMMARY	ROOF COLOUR			
	White	Infinite Blue	Moondust Grey	Black
Polar White		•	•	•
Shark Grey (metallic)	•	•		•
Arctic Steel (metallic)	•	•		•
Ruby Red (metallic)	•		•	•
Perla Nera Black (metallic)	•	•	•	•
Ink Blue (metallic)	•		•	•
Belle Ile Blue (metallic)	•			•
Whisper Purple (metallic)	•		•	•
Pearl White (pearlescent)		•	•	•
Sport Yellow	•			•

DSPORT PLUS PACK

NEW ULTIMATE

> DS 3 DSPORT SPECIFICATION INCLUDES:

- 17 inch black 'Bellone' alloy wheels
- Contrasting body/roof colour
- New Xenon Full LED Signature
- Rear spoiler with an integrated third brake light
- Double chrome exhaust pipe
- Aluminium drilled pedals
- Carbon fibre effect dashboard
- High quality leather steering wheel with chrome inserts
- Front and rear carpet mats
- Active City Brake
- Automatic air conditioning
- Alarm
- Height adjustable front passenger seat

> ADDITIONAL SPECIFICATION WITH THE DSPORT PLUS PACK INCLUDES:

- Black leather pack
- Chrome door mirrors
- Rear parking sensors
- Hi-Fi system audio upgrade
- 17 inch black 'Aphrodite' alloy wheels

BODY COLOUR SUMMARY	ROOF COLOUR			
	White	Infinite Blue	Moondust Grey	Black
Polar White		•	•	•
Shark Grey (metallic)	•	•		•
Arctic Steel (metallic)	•	•		•
Ruby Red (metallic)	•		•	•
Perla Nera Black (metallic)	•	•	•	•
Ink Blue (metallic)	•		•	•
Belle Ile Blue (metallic)	•			•
Whisper Purple (metallic)	•		•	•
Pearl White (pearlescent)		•	•	•
Sport Yellow	•			•



BODY COLOURS



ROOF COLOUR



TRIMS



17 INCH BLACK 'APHRODITE' ALLOY WHEELS
Tyres: 205/45 R17



(M) Metallic (P) Pearlescent

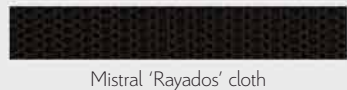
BODY COLOURS



ROOF COLOUR



TRIMS



17 INCH BLACK 'APHRODITE' ALLOY WHEELS

Tyres: 205/45 R17



(M) Metallic (P) Pearlescent

CABRIO DSTYLE PLUS PACK

JUST ADD BRILLIANCE

> DS 3 CABRIO DSTYLE SPECIFICATION INCLUDES:

- 16 inch 'Ashera' alloy wheels
- LED Daytime Running Lights (DRLs)
- Front fog lights
- Chrome front grille and fog light surrounds with chrome insert on rear number plate moulding
- Rear parking sensors
- Leather steering wheel with chrome inserts
- Chrome side rubbing strips
- **Connecting Box** – Bluetooth® handsfree and media streaming with USB socket
- Air conditioning
- Dark tinted rear windows
- Scented air freshener
- Gear Efficiency Indicator (excludes automatic versions)
- Active City Brake
- Cruise control with speed limiter
- Sport suspension
- Front electric windows with 'one-touch' operation on driver's side
- Leather handbrake
- Gloss black dashboard
- Chrome gear surround

> ADDITIONAL SPECIFICATION WITH THE CABRIO DSTYLE PLUS PACK INCLUDES:

- **City Signature** – automatic air conditioning, automatic lights and windscreen wipers, electrochromic rearview mirror, electrically heated folding door mirrors, interior mood lighting, front armrest
- 17 inch black 'Aphrodite' alloy wheels

BODY COLOUR SUMMARY	ROOF COLOUR		
	Black	Infinite Blue	Moondust Monogramme
Polar White	•	•	•
Shark Grey (metallic)	•	•	•
Arctic Steel (metallic)	•	•	•
Belle Ile Blue (metallic)	•	•	•
Perla Nera Black (metallic)	•	•	•
Whisper Purple (metallic)	•	•	•
Ink Blue (metallic)	•	•	•
Pearl White (pearlescent)	•	•	•
Sport Yellow	•	•	•



CABRIO DSPORT PLUS PACK

NOTHING COMES CLOSE

> DS 3 CABRIO DSPORT SPECIFICATION INCLUDES:

- 17 inch black 'Bellone' alloy wheels
- Xenon Full LED Signature
- Rear sports deflector and spoiler with an integrated third brake light
- Double chrome exhaust pipe
- Electrically heated folding door mirrors
- Rear parking sensors
- Automatic lights and windscreen wipers
- Automatic air conditioning
- Alarm
- Interior mood lighting
- Front and rear carpet mats
- Aluminium pedals
- Carbon fibre effect dashboard
- High quality leather steering wheel with chrome inserts
- Height-adjustable front passenger seat
- **Connect Signature** – Connecting Box (Bluetooth® handsfree and media streaming with USB socket)

> ADDITIONAL SPECIFICATION WITH THE CABRIO DSPORT PLUS PACK INCLUDES:

- Hi-Fi system audio upgrade
- Black leather pack
- Chrome door mirrors
- Front armrest
- 17 inch black 'Aphrodite' alloy wheels

BODY COLOUR SUMMARY	ROOF COLOUR		
	Black	Infinite Blue	Moon dust Monogramme
Polar White	•	•	•
Shark Grey (metallic)	•	•	•
Arctic Steel (metallic)	•	•	•
Ruby Red (metallic)	•	•	•
Perla Nera Black (metallic)	•	•	•
Ink Blue (metallic)	•	•	•
Belle Ile Blue (metallic)	•	•	•
Whisper Purple (metallic)	•	•	•
Pearl White (pearlescent)	•	•	•
Sport Yellow	•	•	•



BODY COLOURS



ROOF COLOUR



TRIMS



17 INCH BLACK 'APHRODITE' ALLOY WHEELS
Tyres: 205/45 R17



(M) Metallic (P) Pearlescent

EQUIPMENT SPECIFICATION

	DSign Plus	DStyle Plus	DSire Plus	DSport Plus	Cabrio DStyle Plus	Cabrio DSport Plus
SAFETY & SECURITY						
ABS with Electronic Brakeforce Distribution and Emergency Braking Assistance	●	●	●	●	●	●
Active City Brake	○	●	●	●	●	●
Electronic Stability Control	●	●	●	●	●	●
Driver, front passenger, front lateral and curtain airbags	●	●	●	●	●	●
Front seat belt pre-tensioners with force-limiters	●	●	●	●	●	●
Five three-point inertia reel seat belts	●	●	●	●	●	●
Unfastened seatbelt warning for front seats	●	●	●	●	●	●
Automatic activation of hazard warning lights	●	●	●	●	●	●
Remote central locking with deadlocks	●	●	●	●	●	●
Automatic door and boot locking	●	●	●	●	●	●
Rear ISOFIX mounting points	●	●	●	●	●	●
Cruise control with speed limiter	●	●	●	●	●	●
Alarm				●	●	●
Citroën eTouch Emergency & Assistance System				●	●	●

	DSign Plus	DStyle Plus	DSire Plus	DSport Plus	Cabrio DStyle Plus	Cabrio DSport Plus
LIGHTING & VISIBILITY						
Halogen headlights	●	●			●	●
Xenon Full LED Signature		○	●	●	●	●
Electrically adjustable door mirrors	●	●	●	●	●	●
Electrically heated folding door mirrors		●	●	●	●	●
LED Daytime Running Lights (DRLs)	●	●	●	●	●	●
3D LED rear lights	●	●	●	●	●	●
Automatic lights and windscreen wipers	●	●	●	●	●	●
Boot light	●	●	●	●	●	●
Front courtesy reading lights	●	●	●	●	●	●
Front fog lights	●	●	●	●	●	●
Interior mood lighting	●	●	●	●	●	●

● Standard equipment

○ Optional factory fitted equipment

Please note: Option availability varies according to version/engine/trim level. Some options are only available as part of a pack. Please refer to the price list on the following page for further information.

¹ Excludes automatic model.

² Excludes THP 155 6-speed versions.

³ Applies to THP 155 6-speed versions only

⁴ Mobile phone compatibility can vary by phone manufacturer. Please consult your Dealer for further compatibility information.

⁵ Applies to THP 155 6-speed manual version only.

⁶ Only available with gloss black dashboard.

⁷ Not compatible with eMyWay Signatures.

	DSign Plus	DStyle Plus	DSire Plus	DSport Plus	Cabrio DStyle Plus	Cabrio DSport Plus
STYLE						
EXTERIOR						
16 inch 'Ashera' alloy wheels	●					
17 inch black 'Aphrodite' alloy wheels		●	●	●	●	●
Contrasting body/roof colour	○	●	●	●	●	●
Rear spoiler with an integrated third brake light			●	●	●	●
Double chrome exhaust pipe			●	●	●	●
Roof colour door mirrors with chrome base	●	●	●		●	●
Chrome door mirrors				●	●	●
Chrome front fog light surrounds	●	●	●	●	●	●
Chrome front grille surround	●	●	●	●	●	●
Chrome insert on rear number plate moulding	●	●	●	●	●	●
Chrome side rubbing strips	●	●	●	●	●	●
Dark tinted rear windows		●	●	●	●	●
INTERIOR						
Soft-touch ¹ effect upper dashboard	●	●	●	●	●	●
Aluminium effect dashboard	●					
Gloss black dashboard		●	●		●	●
Carbon fibre effect dashboard			○	●		●
Leather steering wheel with aluminium effect inserts	●					
Leather steering wheel with chrome inserts		●	●	●	●	●
Black centre console	●					
Gloss black centre console		●	●	●	●	●
Chrome door sill protector	●	●	●	●	●	●
Front and rear carpet mats				●	●	●
Aluminium drilled pedals			●	●		●

	DSign Plus	DStyle Plus	DSire Plus	DSport Plus	Cabrio DStyle Plus	Cabrio DSport Plus
DRIVER INFORMATION						
Tyre pressure monitor	●	●	●	●	●	●
Multi-function on-board trip computer (current fuel consumption, average fuel consumption, distance covered, average speed and range on remaining fuel)	●	●	●	●	●	●
Gear Efficiency Indicator	●	●	●	●		
Puncture repair kit	●	●			●	● ²
Space saver steel spare wheel		○	●	●	○	● ³
Exterior temperature display	●	●	●	●	●	●
'Black panel' on/off instrument lighting	●	●	●	●	●	●

	DSign Plus	DStyle Plus	DSire Plus	DSport Plus	Cabrio DStyle Plus	Cabrio DSport Plus
SEATING						
Height-adjustable driver's seat	•	•	•	•	•	•
Height-adjustable front passenger's seat			•	•	•	•
Three rear head restraints	•	•	•	•	•	•
Rear split/folding and reclining seats	•	•	•	•	•	•
IN-CAR ENTERTAINMENT						
RDS radio/MP3 CD player with six speakers and steering mounted controls	•	•	•	•	•	•
AUX socket	•	•	•	•	•	•
Connect Signature – Connecting Box (Bluetooth® handsfree and media streaming with USB socket) and Hi-Fi system				•	•	•
Connecting Box – Bluetooth® handsfree and media streaming with USB socket		• ⁴	• ⁴	• ⁴	• ⁴	• ⁴
STORAGE						
Front door pockets with bottle holder	•	•	•	•	•	•
Front seat-back pockets		•	•	•	•	•
Rear side pockets	•	•	•	•	•	•
Lashing eye in the boot	•	•	•	•	•	•
COMFORT & CONVENIENCE						
Variable power assisted steering	•	•	•	•	•	•
Sport suspension	•	•	•	•	•	•
Height and reach adjustable steering wheel	•	•	•	•	•	•
Scented air freshener		•	•	•	•	•
12 volt socket in cabin	•	•	•	•	•	•
Driver's and passenger's sunvisor with courtesy mirror	•	•	•	•	•	•
Front electric windows with 'one-touch' operation on driver's side	•	•	•	•	•	•
Air conditioning	•					
Automatic air conditioning		•	•	•	•	•
City Signature – auto-dimming electrochrome rear view mirror, automatic lights and windscreen wipers, rear parking sensors, interior mood lighting, automatic air conditioning, front armrest		•	•	•	•	•

	DSign Plus	DStyle Plus	DSire Plus	DSport Plus	Cabrio DStyle Plus	Cabrio DSport Plus
OPTION SUMMARY						
Metallic paint	o	o	o	o	o	o
Sport Yellow	o	o	o	o	o	o
Polar White	o	o	o	o	o	o
Pearl White	o	o	o	o	o	o
Contrasted colour painted roof	o	o	o	o		
Moondust Grey Monogramme fabric roof					o	o
17 inch grey 'Aphrodite' alloy wheels		o	o	o	o	o
17 inch Moondust Grey 'Bellone' alloy wheels		o	o	o	o	o
17 inch white 'Bellone' alloy wheels		o	o	o	o	o
17 inch black 'Bellone' alloy wheels		o			o	
Space saver spare wheel	o	•	•	o	• ⁵	
New Xenon Full LED Signature	o	•	•			
Active City Brake	o	•	•	o	•	
eMyWay Signature – Colour satellite navigation, live traffic information, European mapping, Connecting Box (Bluetooth® handsfree and media streaming with USB socket) and automatic air conditioning			o ⁶	o ⁶	o ⁶	
eMyWay and Reversing Camera Signature – Colour satellite navigation, live traffic information, European mapping, Connecting Box (Bluetooth® handsfree and media streaming with USB socket) and automatic digital air conditioning, Reversing camera			o ⁶			
Gloss black Kit (Gloss black dashboard, air vent surround and gear knob cap)	•	•				
Carbon Fibre effect kit (Carbon Fibre dashboard strip, air vent surround and gear knob cap)		o ⁷	• ⁷			
White Kit (White dashboard, air vent surround and gear knob cap)		o ⁷				
Moondust Kit (Moondust dashboard, air vent surround and gear knob cap)		o ⁷				
Infinite Blue Kit (Blue dashboard, air vent surround and gear knob cap)		o ⁷				



This brochure is made from paper from a well-managed forest. Citroën support responsible use of forest resources.

Please don't throw me away, give me to a friend or recycle me.

NOTE: Please refer to the DS 3 brochure for full technical specifications. Every endeavour has been made to ensure that the information and details contained in this brochure were accurate at the time of going to press November 2014. However the company reserves the right, whilst preserving the essential characteristics of the models described, to introduce at any time modifications, changes of details, equipment or accessories. Every effort will be made to bring this brochure up to date, but in order to avoid any misunderstandings please consult your Dealer. For full details of Citroën Care for Car and Driver, please see the full manufacturer's price list. The Citroën Website contains full information on all Citroën products and offers available in the UK, together with details of our environmental and recycling policies. The site address is: www.citroen.co.uk or you can contact Citroën directly via cuk_contactcentre@citroen.com

CITROËN prefers TOTAL

CITROËN UK Ltd. Pinley House, 2 Sunbeam Way, Coventry CV3 1ND.

www.citroen.co.uk

Designed and produced by Acuity

www.weareacuity.com

K12437 November 2014

TECHNICAL SPECIFICATION	PETROL ENGINES									DIESEL ENGINES				
	DSign Plus PureTech 82 manual	DStyle Plus PureTech 110 S&S manual	Cabrio DStyle Plus PureTech 110 S&S Manual	DStyle Plus VTi 120 automatic	Cabrio DStyle Plus VTi 120 automatic	DSire Plus THP 165 S&S 6-speed manual	DSport Plus THP 165 S&S 6-speed manual	Cabrio DSport Plus THP 165 S&S 6-speed manual	DStyle Plus e-HDi 90 manual	Cabrio DStyle Plus e-HDi 90 manual	DSire Plus BlueHDi 120 6-speed manual	DSport Plus BlueHDi 120 6-speed manual	Cabrio DSport Plus BlueHDi 120 6-speed manual	
ENGINE														
Capacity (cc)	1199	1199	1199	1598	1598	1598	1598	1598	1560	1560	1560	1560	1560	
Cylinders	3 in line	3 in line	3 in line	4	4	4 in line	4 in line	4 in line	4 in line	4 in line	4 in line	4 in line	4 in line	
Max power CEE (kW/rpm)	60/5750	81/5500	81/5500	88/6000	88/6000	120/6000	120/6000	120/6000	68/4000	68/4000	88/3500	88/3500	88/3500	
Max torque CEE (Nm/rpm)	118/2750	205/1500	205/1500	160/4200	160/4250	240/1750	240/1750	240/1400	230/1750	230/1750	285/1750	285/1750	285/1750	
Fuel system	Multi-point electronic fuel injection									High pressure direct diesel injection				
Euro status	Euro 5	Euro 6	Euro 6	Euro 5	Euro 5	Euro 6	Euro 6	Euro 6	Euro 5	Euro 5	Euro 6	Euro 6	Euro 6	
TRANSMISSION	Five speed manual			Four speed automatic		Six speed manual			Five speed manual		Six speed manual			
Clutch type	Dry single plate			n/a		Dry single plate			Dry single plate		Dry single plate			
PERFORMANCE (All figures driver alone)														
Max speed (mph)	108	118	118	118	118	135	135	135	113	113	118	118	118	
0-62mph (secs)	14.2	9.6	9.8	10.9	12.2	7.5	7.5	7.6	12.5	12.5	10.4	10.4	10.4	
Standing 1000m (secs)	35.4	31.0	31.2	32.4	32.4	28.2	28.2	28.4	34.2	34.2	32.0	32.0	32.0	
ECONOMY Litres/100km (mpg) (Official Government test fuel consumption figures)														
Urban cycle	5.5 (51.4)	5.9 (47.9)	5.9 (47.9)	9.3 (30.4)	9.7 (29.1)	7.1 (39.8)	7.1 (39.8)	7.1 (39.8)	4.3 (65.7)	4.3 (65.7)	4.4 (64.2)	4.4 (64.2)	4.4 (64.2)	
Extra urban	3.9 (72.4)	4.0 (70.6)	4.0 (70.6)	4.9 (57.6)	4.9 (57.6)	4.6 (61.4)	4.6 (61.4)	4.6 (61.4)	3.3 (85.6)	3.3 (85.6)	3.2 (88.3)	3.2 (88.3)	3.2 (88.3)	
Combined	4.5 (62.8)	4.7 (60.1)	4.7 (60.1)	6.5 (43.5)	6.7 (42.2)	5.6 (50.4)	5.6 (50.4)	5.6 (50.4)	3.6 (78.5)	3.6 (78.5)	3.6 (78.5)	3.6 (78.5)	3.6 (78.5)	
CO₂ EMISSIONS (g/km)	104	107	107	150	154	129	129	129	95	95	94	94	94	
STEERING														
Number of turns lock to lock	3.1									3.1				
Turning circle between kerbs (m)	10.2	10.2	10.2	10.4	10.2	10.4	10.4	10.4	10.4	10.4	10.4	10.4	10.4	
EXTERIOR DIMENSIONS (mm)														
Length/Width/Height/Wheelbase	3948/1715/1483/2464									3948/1715/1483/2464				
BOOT VOLUME (litres VDA)														
Seats up – below parcel shelf	285	285	245	285	245	285	285	245	285	245	285	285	285	

MPG figures are achieved under official EU test conditions, intended as a guide for comparative purposes only, and may not reflect actual on-the-road driving conditions.