



R8

Pricing and Specification Guide
Valid from May 2009



A User's Guide

This guide has been specially designed to let you customise your spectacular new R8 in the way that best suits your unique tastes. Every single option, from the dynamic sideblades to the luxurious choice of upholstery, has been created to underline the sporty characteristics and race-winning performance you'll enjoy from the moment you get behind the wheel of this awesome sports car.

From the website, you can also access the Audi Channel player and see your potential new car in action on the following programmes:

Drivetime

www.audi.co.uk/R8drivetime

Your Audi

www.audi.co.uk/R8youaudi

Alternatively, you can tune into the Audi Channel at any time on Sky Guide No. 884 to see a range of programmes about Audi and our motorsport achievements.

Table of content

	Page number
Introduction	
Audi R8	
Model details and prices	
Transmission	6
R8 model equipment	10
R8 V10 model equipment	12
Colour and upholstery	
Paint finishes	14
Upholstery	16
Colour and trim guide	18
Inlays	20
Options	
Wheels, tyres and suspension	22
Audio and communication	24
Interior equipment	26
Safety and security	27
Other equipment	27
Audi exclusive	
Audi exclusive options	28
Technical details	
Technical data	36
Dimensions	38
Additional information	40



Audi R8

Heritage

Audi has always enjoyed an enviable track record in the world of motorsport. An unrivalled combination of passion, determination, expertise and Vorsprung durch Technik has helped propel the four rings of Audi past finishing line after finishing line. With the introduction of the revolutionary quattro® all-wheel-drive technology in the early 1980s came a run of victories that will never be forgotten. And thanks to a continuing dedication to innovation and progression, that success has continued right through to the present day. In 1999, Audi entered Le Mans for the first time. Since then, it has won the legendary endurance race an incredible eight times. It is in recognition of this unprecedented success that the new Audi R8 was created – a car that has much more in common with the Le Mans-winning racer than simply a name.

Design and performance

Every detail of the R8's exterior immediately marks it out as a progressive sports car. From the emphatic, structural shape, wide air intakes and sweeping sideblades, to the retractable rear spoiler. But these design features aren't just for show. Each serves its own purpose, whether enhancing the car's aerodynamic potential or cooling the engine which sits directly behind the cockpit. And that's no easy task. Both the 4.2 V8 and 5.2 V10 powerplants are extremely high-revving, with breathtaking performance thanks to FSI direct petrol injection and quattro® all-wheel-drive. Enabling you to get the most from them are a number of auxiliary technologies – a lightweight

aluminium crankcase, spontaneous R tronic automated 6-speed gearbox and Audi magnetic ride. Inside its rigid yet lightweight aluminium Audi Space Frame, the R8 has more than a hint of racing car inspiration in its layout and appearance, with Fine Nappa leather Sports seats, driver oriented instruments and a leather flat-bottomed steering wheel as standard. The perfect setting to enjoy some impressive technologies, including the optional Audi parking system advanced and the 465-Watt 12-speaker Bang & Olufsen surround sound system – if the arresting symphony of the R8's engine wasn't enough.

Read on to discover more about the revolutionary Audi R8, including standard and optional equipment, paint colours and prices.

Craftsmanship

The Audi R8 is built on a small production line in a specially constructed block at the Audi factory in Neckarsulm, Germany. The entire production process – from the bodyshell construction to final assembly – is organised in the same way as it would be in a craft workshop. Small teams of specialists oversee every step of production, subjecting every part and component to intense scrutiny. This ensures that every one of the maximum 20 cars built each day will more than match the customary high-quality standards of the Audi product range.

Transmission

Manual

By specifying a 6-speed manual transmission for your R8, you can put yourself in complete control of your driving experience. The system is matched precisely to the R8's engine configuration and driving dynamics, allowing you to take full advantage of the broad spread of engine torque available across its six closely-spaced gear ratios. With its compact design and low weight, the manual system is a simple, direct way to tap into the awesome power of the R8. Providing short gearshift travel and precise lever movement, it gives you the highest possible level of accessibility with the minimum of fuss.



R tronic sequential transmission

R tronic is a unique technology developed by Audi, which provides swift and seamless gear-changing for an incredibly sporty drive. Thanks to its groundbreaking electro-hydraulic shifting unit, R tronic transmits all the force of the R8's engine power to the road with unrivalled smoothness and control. And when you switch to S mode, the ride becomes all the more thrilling: the system delays automatic gearshifts for optimum acceleration, while the pioneering Launch Control provides the kind of lightning-fast performance that allows the R8 to spring from a standing start to 62mph in just 3.9 seconds*.









Model equipment

All R8 models have the following items of standard equipment:

Safety and security

Anti-lock Braking System (ABS)
Anti-Slip Regulation (ASR)
Anti-theft alarm and electronic immobiliser
Brake lights with LED technology
Disc brakes, internally vented, 8-piston brake callipers at front and 4-piston at rear
Driver, front passenger and front side airbags
Electronic Differential Lock (EDL) traction control
ESP Version 8 – latest generation Electronic Stability Programme networks the ABS, EBD, ASR and EDL systems and ensures greater stability at all speeds by braking individual wheels as required and overriding the engine-management system. Driver can select different ESP settings to suit different driving conditions
First Aid Kit with warning triangle
ISOFIX, with front-passenger airbag-deactivation switch
Remote central locking
Seatbelt reminder
Tool kit including car jack

Audio and communication

AUX-IN socket
Radio System RNS-E. FM and AM reception with single CD drive (MP3 capable), 2 slots for MMC/SD memory cards for playing MP3 files, 6.5" TFT colour display, 7 loudspeakers and 5-channel amplifier. Total output 140 Watts.

Exterior equipment

4-branch exhaust system – twin tailpipes on left and right
Door mirrors – electrically operated and heated
Exterior lighting, including exit lights
LED daytime-running lights
Retractable rear spoiler – deploys and retracts automatically at set speeds, or can be operated manually with the button in centre console
Xenon Plus headlights, including headlight-washer system

Wheels, tyres and suspension

5-arm double-spoke design, 19" alloy wheels 19 x 8.5J front and 19 x 11J rear with 235/35 and 295/30 tyres
Locking wheel bolts
quattro® all-wheel-drive
Tyre Mobility System

Interior equipment

3-spoke flat-bottomed, leather-covered multi-function steering wheel (gear-change via paddles standard with R tronic transmission)
Aluminium gear knob and lever gate
Cup holder – two compartments integrated into centre console
Driver's Information System
Electronic climate control
Fine Nappa leather upholstery on seats, door trim and door handles on passenger side
Heated engine partition window
Inlays in micrometallic grey – upper trim on centre console, centre inlay and door inlay
Interior and instrument lighting
Lockable glove box, with light
Roof lining – Black or pale grey
Scuff plates in aluminium with R8 logo
Sun visors with vanity mirror
Valet key

Seats

Electric lumbar support
Sports seats



R8 model prices

Manual

Engine	Power	Transmission	Basic RRP	Total RRP ^{inc. VAT}	Recommended OTR
4.2 FSI quattro®	420PS	6-speed manual	£68,521.74	£78,800.00	£79,825.00

R tronic

Engine	Power	Transmission	Basic RRP	Total RRP ^{inc. VAT}	Recommended OTR
4.2 FSI quattro®	420PS	R tronic	£72,947.83	£83,890.00	£84,915.00



Please note: The maximum power output figures are quoted in PS (or Pferdestärke, which is the metric equivalent of brake horsepower). To convert to brake horsepower, divide the PS figure by 1.0139.

Recommended On-The-Road (OTR) retail prices include: delivery charge, half a tank of fuel and number plates at £565.00 (inc. VAT), Road Fund Licence and first registration fee at £55.00.

RRP – Recommended Retail Price.

Model equipment

All R8 V10 models have the following items of equipment (in addition to R8 equipment):

Safety and security

Tyre pressure monitoring system

Audio and communication

Bang & Olufsen sound system – 12 speakers, total output 465 Watts

CD changer for six discs

Satellite Navigation system Plus

Paint

Metallic or pearl effect paint

Exterior equipment

19" '10-spoke Y' design alloy wheels, 19 x 8.5J front and 19 x 11J rear with 235/35 and 295/30 tyres

Audi magnetic ride (see page 20 for details)

Auto-dimming and folding door mirrors

Audi hill-hold assist

All LED headlights (see page 25 for details)

Light and rain sensor pack, including auto-dimming rear view mirror, automatic headlights and automatic windscreen wipers

Oval exhaust tailpipes

V10 badges on front wing and engine bay

Interior equipment

Electrically adjustable seats

Heated front seats

Light package including LED lights illuminating footwell and engine compartment

Stainless steel pedals



R8 V10 model prices

Manual

Engine	Power	Transmission	Basic RRP	Total RRP ^{inc. VAT}	Recommended OTR
5.2 FSI quattro®	525PS	6-speed manual	£85,700.00	£98,555.00	£99,580.00

R tronic

Engine	Power	Transmission	Basic RRP	Total RRP ^{inc. VAT}	Recommended OTR
5.2 FSI quattro®	525PS	R tronic	£90,126.09	£103,645.00	£104,670.00



Please note: The maximum power output figures are quoted in PS (or Pferdestärke, which is the metric equivalent of brake horsepower). To convert to brake horsepower, divide the PS figure by 1.0139.

Recommended On-The-Road (OTR) retail prices include: delivery charge, half a tank of fuel and number plates at £565.00 (inc. VAT), Road Fund Licence and first registration fee at £55.00.

RRP – Recommended Retail Price.

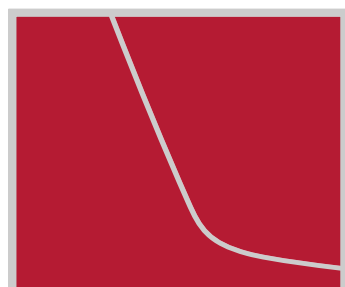
Paint finishes

Standard colours

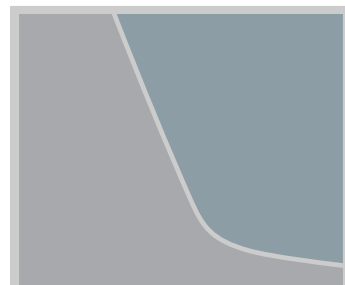
Optional colours



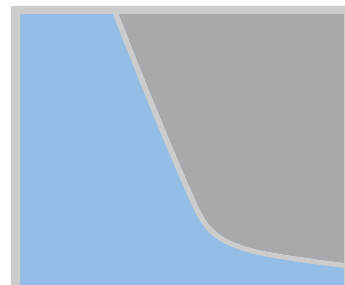
Ibis white
(Ice silver sideblade) T9



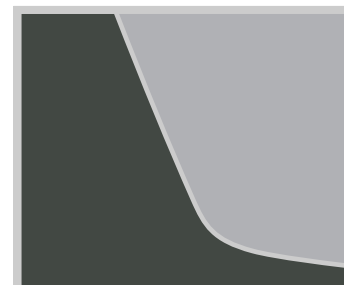
Brilliant red
(Brilliant red sideblade) C8



Ice silver, metallic
(Apollo silver sideblade) P5



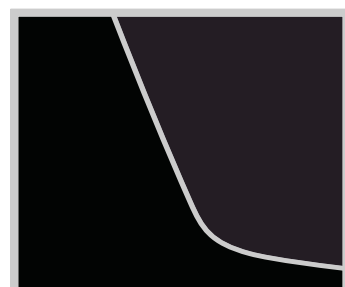
Jet blue, metallic
(Ice silver sideblade) 1Y



Daytona grey, pearl effect
(Quartz grey sideblade) 5Y



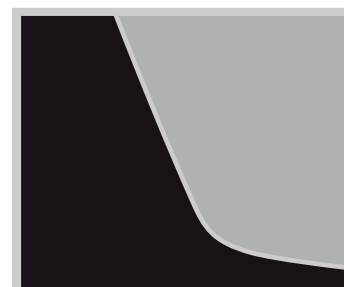
Sepang blue, pearl effect*
(Mugello blue sideblade) E9



Phantom black, pearl effect
(Lava grey sideblade) L8



Suzuka grey, metallic
(Ice silver sideblade) M1



Lava grey, pearl effect
(Quartz grey sideblade) 1R

	4.2 FSI quattro®	5.2 FSI quattro®	Basic RRP	Total RRP ^{inc. VAT}
Standard colours	•	•	No charge	No charge
Metallic/Pearl effect	•	S	£595.65	£685.00

Sideblades

As with so many of its design features, the sideblades on the R8 represent the perfect marriage of form and function. As well as providing the powerful engine with a continuous stream of cool air, these vents give the R8 a progressive look – which can be enhanced even further with either of these contrasting finishes.

Order code		4.2 FSI quattro®	5.2 FSI quattro®	Basic RRP	Total RRP <small>inc. VAT</small>
6H2	Oxygen Silver	•	•	£682.61	£785.00
6H3	Carbon Sigma	•	•	£1,278.26	£1,470.00



Upholstery

Standard seats

You can specify the R8's interior with any of the following upholstery options. While these are all available at no extra cost, no item in this impressive sports car is really just 'standard'. Each feature has been specially designed to complement the sporty design within – so that, no matter which option you choose, the view you see from inside the R8 will be as spectacular as its performance on the road.

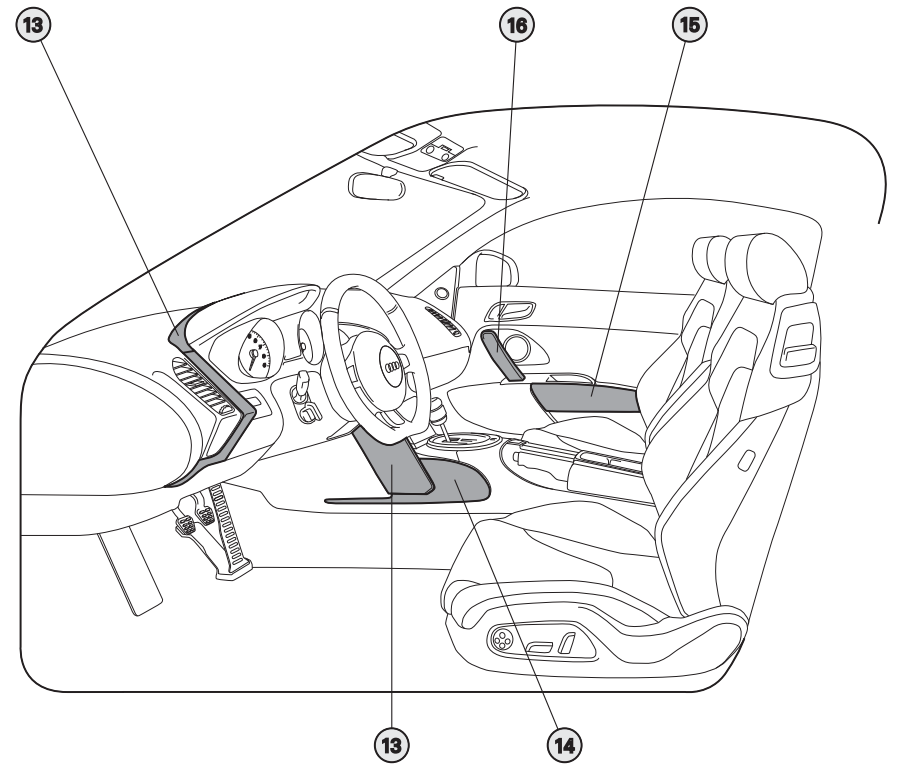
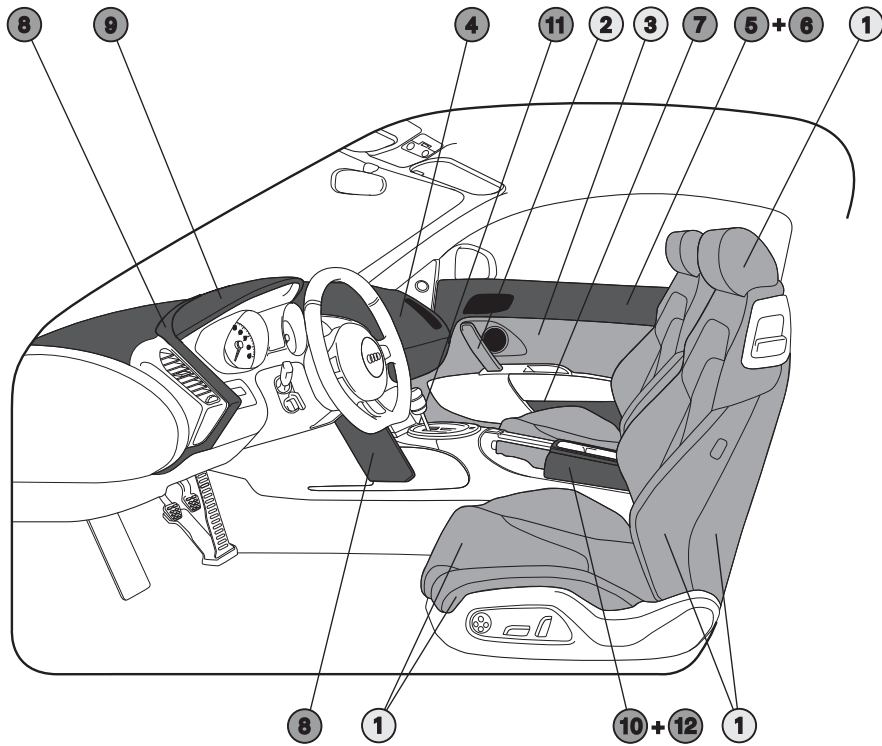


Leather trim and packages

Order code		4.2 FSI quattro*	5.2 FSI quattro*	Basic RRP	Total RRP <small>inc. VAT</small>
PL3	Extended Fine Nappa leather package – Black. Full Fine Nappa leather upholstery to dashboard, top shoulder and side panel, storage compartment in door, monoposto, cowl, knee bolster and function pads (please see page 17 for further details). Only available in combination with Fine Nappa upholstery	•	•	£2,126.09	£2,445.00
0UB	Coloured stitching for Fine Nappa leather upholstery located on the monoposto, cowl, passenger door handle and rear shelf cover. Only available in Mustang brown, Luxor beige, Pale grey and Red in conjunction with extended leather package	•	•	£143.48	£165.00
N7U	Leather/Alcantara upholstery, includes central seat section in Alcantara and seat-side sections and head restraints in leather. Available in Black or Pale grey. Not available with extended leather package or coloured stitching	•	•	No charge	No charge

Audi R8

Leather trim and inlay packages



Fine Nappa leather trim (standard)		Black top shoulder and side panel trim	5, 6	Black function pad	12
Seats	1	Black storage compartment in door	7	Carbon Sigma/Piano finish black inlays	
Door handle on passenger side matching seat colour	2	Black monoposto	8	Monoposto	13
Door trim insert matching seat colour	3	Black cowl	9	Inlays in centre console	14
Extended Fine Nappa leather package		Black cover for storage compartment	10	Inlays in door trim	15
Black dashboard	4	Black knee bolster	11	Door handle on passenger side	16

Please note that if Mustang brown leather is specified then the door handles and door inserts are in black.

Colour and trim guide

To help you choose the right colours for you and your Audi R8, please use the guide below to ensure your preferred colours and trims are well-matched.

Standard models – Interior trim colours:

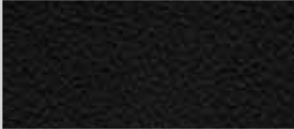

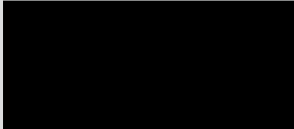
Order code	Upholstery	Carpet	Dashboard/seams	Headlining	Alcantara/leather (N7U)	Fine Nappa leather (PL1)	Extended leather (PL3)
TN	Pale grey	Pale grey	Black/Black	Pale grey	●	●	●
TH	Pale grey	Pale grey	Black/Black	Black	●	●	●
TQ*	Luxor beige	Luxor beige	Black/Black	Luxor beige	–	●	●
TB	Luxor beige	Luxor beige	Black/Black	Black	–	●	●
JZ	Mustang brown	Black	Black/Black	Black	–	●	●
JN	Black	Black	Black/Black	Black	●	●	●
JW	Black	Black	Black/Black	Pale grey	●	●	●
BF	Red	Black	Black/Black	Black	–	●	●

Interior trim colours and optional coloured stitching (OUB):

Order code	Upholstery	Carpet	Dashboard/seams	Headlining	Alcantara/leather (N7U)	Fine Nappa leather (PL1)	Extended leather (PL3)
EL	Black	Black	Black/Pale grey	Black	–	–	●
EM	Black	Black	Black/Pale grey	Pale grey	–	–	●
EQ	Black	Black	Black/Luxor beige	Black	–	–	●
EN	Black	Black	Black/Mustang brown	Black	–	–	●
ER	Black	Black	Black/Red	Black	–	–	●
TN	Pale grey	Pale grey	Black/Pale grey	Pale grey	–	–	●
TH	Pale grey	Pale grey	Black/Pale grey	Black	–	–	●
TQ*	Luxor beige	Luxor beige	Black/Luxor beige	Luxor beige	–	–	●
TB	Luxor beige	Luxor beige	Black/Luxor beige	Black	–	–	●
JZ	Mustang brown	Black	Black/Mustang brown	Black	–	–	●
BF	Red	Black	Black/Red	Black	–	–	●



Inlays

Order code			4.2 FSI quattro*	5.2 FSI quattro*	Basic RRP	Total RRP ^{inc. VAT}
5TA		Micrometallic grey Excluding monoposto	S	S	No charge	No charge
5MN		Carbon Sigma Please see page 17 for inlay locations	•	•	£1,404.35	£1,615.00
5TL		Piano finish black Please see page 17 for inlay locations	•	•	£1,104.35	£1,270.00



Carbon Sigma inlays (monoposto)



Carbon Sigma inlays (door trims)



Wheels, tyres and suspension

Order code		4.2 FSI quattro*	5.2 FSI quattro*	Basic RRP	Total RRP ^{inc. VAT}
1BL	Audi magnetic ride. Adaptive suspension system with two selectable modes (Normal or Sport). Sensors in the car monitor the road conditions and adjust the damping effect by varying a magnetic charge which passes through a fluid-based shock absorber, delivering improved road handling, outstanding chassis control and excellent driving comfort	•	S	£1,147.83	£1,320.00
PC5	Ceramic brakes. Light weight, ventilated ceramic brake-discs to all four wheels, 380mm discs at front, 356mm at rear, 6-piston monobloc anthracite coloured brake callipers with 'Audi ceramic' inscription to front callipers	•	•	£6,082.61	£6,995.00
PQK	19" '5-arm double-spoke design' alloy wheels in titanium finish 19 x 8.5J 235/35 front tyres and 19 x 11J 305/30 rear tyres	• -	- •	£586.96 £500.00	£675.00 £575.00
PQ7	19" '5-arm double-spoke design' alloy wheels in high-gloss finish 19 x 8.5J 235/35 front tyres and 19 x 11J 305/30 rear tyres	• -	- •	£586.96 £500.00	£675.00 £575.00



19" '5-arm double-spoke design' alloy wheels in titanium finish



19" '5-arm double-spoke design' alloy wheels in high-gloss finish



Audi magnetic ride



Audio and communication

Order code		4.2 FSI quattro®	5.2 FSI quattro®	Basic RRP	Total RRP ^{inc. VAT}
UF7	Audi Mucic Interface (AMI). Universal connection for use with stereo audio sources, USB and MP3 devices including Apple iPod generation 4 onwards (iPod, iPod classic, iPod mini, iPod nano, iPod photo, iPod video, iPod touch). Provides intuitive control through the audio system and multi-function steering wheel. It also replicates the iPod display on the audio screen and DIS, including track titles. The interface provides charging function (dependent on device). Includes cables. Only in combination with DVD Satellite Navigation system Plus	•	•	£213.04	£245.00
9VK	Bang & Olufsen sound system. Designed specifically for the Audi R8, providing surround sound reproduction with dynamic compensation for road noise, digital amplifier and 12 speakers (total output 465 Watts)	•	S	£1,021.74	£1,175.00
7A2	CD changer for six discs, integrated into rear shelf between seats (not MP3-compatible)	•	S	£273.91	£315.00
9ZF	GSM mobile telephone preparation (Bluetooth). Uses Bluetooth interface or cradle to connect to your R8. A cradle is recommended for optimum reception and to maintain battery charge of the phone. Located in storage compartment on centre console (please consult your Audi Centre for a full list of available cradles)	•	•	£356.52	£410.00
9ZX	Mobile telephone preparation – Bluetooth interface. Provides handsfree connection via Bluetooth using mobile phone aerial. Please contact your Audi centre for phone compatibility	•	•	£239.13	£275.00
PNA	Satellite Navigation system Plus. DVD-based route planning and guidance with MMI control logic and 6.5" colour display, 3D map display, RDS radio, DVD player for Navigation System, 2 integrated SD card readers for MP3, audio or MP3-compatible CD player (cannot be used at same time as Navigation System). Includes European coverage disc. A CD changer is recommended with this option	•	S	£1,530.43	£1,760.00



Bang & Olufsen sound system



CD changer



GSM mobile telephone preparation



Interior equipment

Order code		4.2 FSI quattro®	5.2 FSI quattro®	Basic RRP	Total RRP ^{inc. VAT}
6NN	Alcantara headlining in Black, Pale grey or Luxor beige	•	•	£934.78	£1,075.00
4L6	Auto-dimming rear-view mirror, includes automatic headlights and windscreen wipers	•	S	£169.57	£195.00
8T2	Cruise control. For holding any speed above 25mph	•	•	£182.61	£210.00
4L6 6XK	Light and rain sensor pack. Includes automatic headlights and windscreen wipers, electrically folding door mirrors and auto-dimming rear view mirror and door mirrors	•	S	£404.35	£465.00
PV1	Electrically adjustable seats with adjustment for height, forwards and backwards position, backrest angle and lumbar support	•	S	£704.35	£810.00
NM5	Engine bay cover in Carbon Sigma. Includes Light package	• -	- •	£2,339.13 £1,973.91	£2,690.00 £2,270.00
VC1	Garage door opener (Homelink®)*. Programmable radio-operated control for up to 3 compatible doors/gates. Control buttons integrated in the roof module at the front	•	•	£147.83	£170.00
4A3	Heated front seats	•	S	£234.78	£270.00
6Q2	Leather gear knob	•	•	No charge	No charge
PAM	Light package. Includes auto-dimming rear-view mirror, light and rain sensors and LED lights illuminating footwell and engine compartment	•	S	£365.22	£420.00
GS3	Stainless steel pedals	•	S	£213.04	£245.00
QE1	Storage package. Includes underseat storage box, luggage net, and storage nets on back of front seats. (Underseat storage cannot be combined with electric seats or buckets seats)	•	•	£160.87	£185.00



Engine bay in Carbon Sigma



Homelink®



Stainless steel pedals

Safety and security

Order code		4.2 FSI quattro®	5.2 FSI quattro®	Basic RRP	Total RRP ^{inc. VAT}
7X2	Acoustic parking system – front and rear. Aids parking by acoustically indicating distances in front of and behind your R8	•	•	£530.43	£610.00
UG1	Audi hill-hold assist. Prevents roll-back on hills for up to 5 seconds by maintaining brake force (recommended with R tronic models)	•	S	£69.57	£80.00
7X8	Audi parking system advanced – facilitates parking by visually and acoustically indicating the distance to obstacles in front of and behind the car. Provides a visual image of the area behind the vehicle on the MMI display. Includes guiding lines. Measured by ultrasonic sensors and camera integrated discreetly in the rear of the vehicle	•	•	£1,065.22	£1,225.00
7X4	Audi parking system plus. Aids parking by acoustically and visually indicating distances to obstacles	•	•	£869.57	£1,000.00
	CobraTrak 5. Thatcham Category 5 approved tracking device that provides the highest level of vehicle security. CobraTrak 5 uses GPS and GSM technology to provide seamless tracking and recovery across 36 European countries. Also includes Automatic Driver Recognition cards and remote engine immobilisation. Please note this option is a Centre-fitted Accessory and needs to be ordered and fitted by your Audi Centre (ZGB420054999A). Price shown includes one year's subscription to the CobraTrak service but excludes fitting	•	•	£721.74	£830.00
8N7	High-beam assist. Automatically adjusts headlights from high-beam to dipped-beam when another vehicle is approaching. Only in combination with light and rain sensor pack	•	•	£86.96	£100.00
8EX	LED headlights. The world's first headlight unit to use LEDs for all front lighting functions. Total of 54 LED light sources in each headlight provide lower energy consumption and enhanced contrast with a colour similar to daylight	•	S	£2,382.61	£2,740.00
7K7	Tyre pressure monitoring system. Monitors tyres based on air pressures specified by the driver and programmed into the Driver's Information System	•	S	£230.43	£265.00

Other equipment

	R8 indoor car cover. Manufactured from thick cotton-mixed fibres with soft-cotton fleecy inner. Hand-tailored with contrasting piping to meet the full contours of the R8. The cover is designed for indoor use only, and the cotton material is not waterproof. (Please note this option is a Centre-supplied Accessory (ZGB420096345) and needs to be ordered by your Audi Centre)	•	•	£213.04	£245.00
--	--	---	---	---------	---------



In a car made from Vorsprung durch Technik, exclusivity comes as standard. In the Audi R8 it's present in everything, from the distinctive arcs of the LED daytime-running lights, to the beautifully presented engine bay that is visible to all through its clear glass cover. But for that extra element of exclusivity, customise your Audi according to your own unique taste with options from Audi exclusive. Whether you want bucket seats, Alcantara roof lining, or an R8 luggage set, Audi exclusive offers an impressive number of options to make it your own.

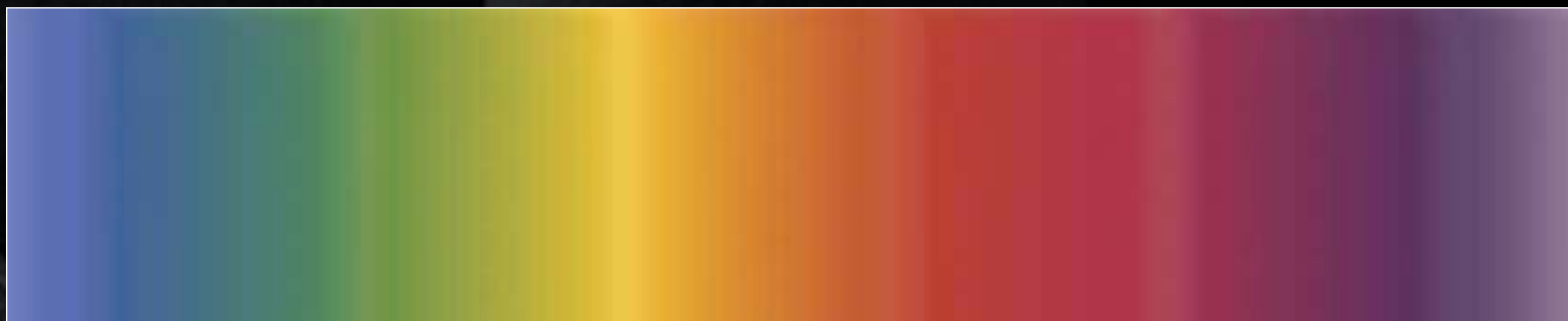


Audi exclusive paint and sideblades

Audi exclusive provides a range of exclusive colours designed to set your car apart. Choose from paint colours within the Audi range or if the colours you see in our brochures don't quite match the one you have in mind, we'll mix the exact water-based pearlescent or metallic-effect shade you want.

You can even customise the colour of your R8's sideblades to complement or contrast with the body shade you choose.

Please talk to your Audi Centre for more details. Please note that an approval process in conjunction with Audi AG may be required for some paints.



Exterior

			Basic RRP	Total RRP ^{inc.} VAT
–	Audi exclusive metallic or pearlescent paint body colour. Sideblades in Quartz silver, unless Audi exclusive sideblades or Oxygen Silver/Carbon Sigma sideblades are specified as additional options and at additional cost. Please see page 15	4.2 FSI quattro® models 5.2 FSI quattro® models	£2,043.48 £1,447.83	£2,350.00 £1,665.00
YUY	Sideblades in Audi exclusive paint colour		£721.74	£830.00

Upholstery

With Audi exclusive, you can choose between a range of packages in Fine Nappa leather and Alcantara, depending on the texture and flexibility you prefer in your car's upholstery.



Upholstery

		Basic RRP	Total RRP <small>inc. VAT</small>
YQM	Audi exclusive Alcantara lining of luggage compartment	£1,369.57	£1,575.00
PYN	Audi exclusive leather package. Fine Nappa leather seats in Black plus contrasting centre section in Silver, Orange or Crimson red with matching stitching in seat-side sections, instrument cowl and steering wheel rim	£1,082.61	£1,245.00
PYA	Audi exclusive leather package 1. Seats, door trims and door handle on passenger side in Fine Nappa leather in a choice of 11 colours, according to Audi exclusive presenter (same content as standard leather package 1. Please see page 17 for leather locations). Includes a choice of coloured stitching if desired	£2,000.00	£2,300.00
PYC	Audi exclusive Alcantara / leather package 1. Seat-centre section in Alcantara. Seat-side sections, head restraints and door-trim inserts in Fine Nappa leather in a choice of 9 colours, according to Audi exclusive presenter. Includes a choice of coloured stitching if desired	£1,786.96	£2,055.00
PYD	Audi exclusive Extended leather package. Fine Nappa leather seats in a choice of 11 Audi exclusive colours, with dashboard-top in shrink-optimised Audi exclusive leather in Palace blue, Chestnut brown, Saddle brown, Havanna brown or Black (same content as standard leather package 1 plus Extended leather package. Please see page 17 for leather locations). Includes a choice of coloured stitching if desired	£4,169.57	£4,795.00
YQO	Audi exclusive Centre console and radio surround in Audi exclusive leather. Only in combination with Audi exclusive Extended leather package (PYD)	£1,104.35	£1,270.00
YQW	Audi exclusive Monoposto Design Package in leather. Monoposto, kneepad, cowl and door handle trim on driver's side in Audi exclusive leather. Colours according to Audi exclusive presenter	£1,021.74	£1,175.00
YSU	Audi exclusive sill trim, carpet cover strip and A pillar in Fine Nappa leather. (Only in combination with exclusive extended leather package)	£378.26	£435.00
YQP	Audi exclusive leather inlays, door trim, centre console and passenger door handle. (Only in combination with exclusive extended leather package)	£504.35	£580.00



Audi exclusive Extended leather package (PYD), Design Package Monoposto (YQW) and Controls Elements (YRB) in Saddle brown

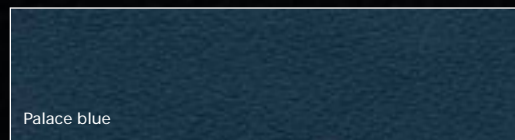
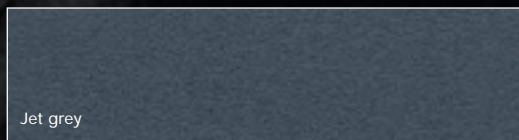
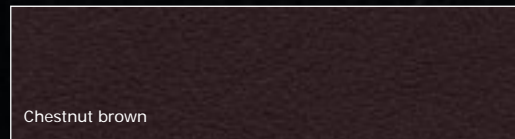
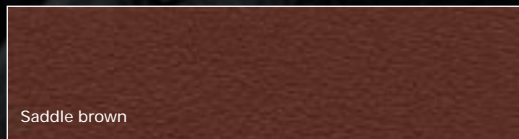
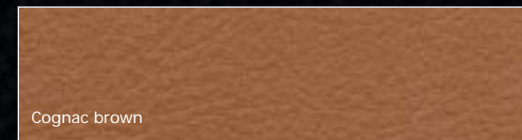
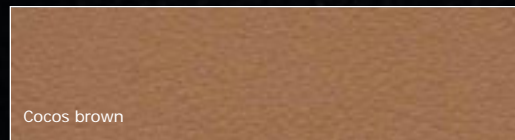
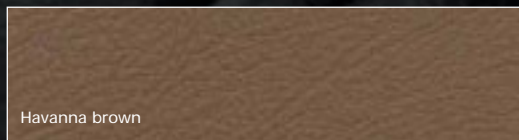
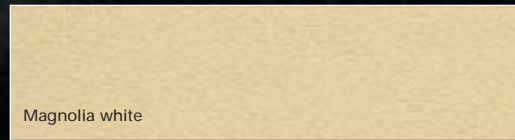
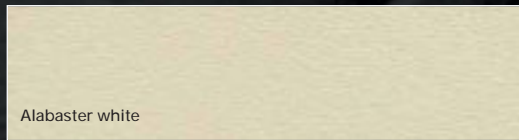
Upholstery

		Basic RRP	Total RRP <small>inc. VAT</small>
YRB	Control Elements (steering wheel, handbrake grip and gear-shift knob) in Audi exclusive leather	£543.48	£625.00
YSK	Alcantara headlining and door pillars (in a choice of 8 Audi exclusive colours)	£1,439.13	£1,655.00
YSQ	Audi exclusive carpet. Velour carpet in a choice of 9 Audi exclusive colours	£1,104.35	£1,270.00
YSR	Audi exclusive floor mats (2). The leather piping on both floor mats is colour-coordinated with the mats unless specified otherwise. The carpet section of the floor mat can be specified in a different colour to the vehicle's carpet	£256.52	£295.00
YUC	Suede control elements (steering wheel, handbrake grip and gear-shift knob) in Black. Please note that steering wheel suede trim can show signs of wear after a period of time	£543.48	£625.00
YSL	Audi exclusive Alcantara headlining and rear shelf trim	£2,478.26	£2,850.00
YST	Audi exclusive Fine Nappa leather headlining and rear shelf trim	£2,608.70	£3,000.00
YQL	Audi exclusive leather air vent trim. Air vent louvres and adjustment handles, switch panel trims and the frames of the side air vents are leather-trimmed (only in combination with (PYD) Audi exclusive Extended leather package)	£565.22	£650.00
YTO	Audi exclusive seat belts	£652.17	£750.00
YTZ	Floor mats with R8 logo (2)	£378.26	£435.00



Control elements in Sand beige

Examples of leather interior colours



Also available

Alcantara colours: Alabaster white, Magnolia white, Sesame beige, Cocoa beige, Havanna brown, Cognac brown, Saddle brown, Chestnut brown, Palace blue

Carpet colours: Alabaster white, Magnolia white, Sand beige, Cocoa beige, Havanna brown, Cognac brown, Chestnut brown, Palace blue, Amethyst grey.

Please consult your Audi Centre for examples of Alcantara and carpet colours

Bucket seats

		Basic RRP	Total RRP <small>inc. VAT</small>
PS5	Bucket seats upholstered in Black Fine Nappa leather. Seats have electric lumbar-support adjustment (horizontal and vertical) and width-adjustment for the seat surface and backrest. Longitudinal positioning of seat height and backrest angle is adjusted manually. Can only be ordered in conjunction with interior codes JN, JW, EL, EM, EQ and EN and not in conjunction with coloured stitching. Cannot be combined with Audi exclusive Alcantara/leather package 1 (PYC). (Please note that front side airbags and ISOFIX are deleted with this option)	£2,043.48	£2,350.00
PS5 PYA S3G	Bucket seats in Audi exclusive Fine Nappa leather includes appointments of Leather Package 1 (PYA/S3G) with bucket side-seat sections in black; includes electric lumbar support adjustment.	£3,908.70	£4,495.00
PS5 PYI S3G	Bucket seats in Audi exclusive leather/Alcantara includes appointments of Leather Package 2 (PYD/S3G) with bucket side-seat sections in black; includes electric lumbar support adjustment. Not available in combination with Audi exclusive Alcantara/leather package	£3,700.00	£4,255.00
PS5 PYD S3G	Bucket seats in Audi exclusive Extended leather package includes appointments of Leather Package 2 (PYD/S3G) with bucket side-seat sections in black; includes electric lumbar support adjustment.	£6,082.61	£6,995.00



Bucket seats

Audi exclusive luggage sets

R8 luggage sets. Available in finest-grade leather in the specified seat-colour and featuring the R8 logo. The Carbon handles, exquisite Nardia lining and various contrasting seams make these case sets true collector's items. Contrasting seams on the outside of the Nardia lining match the colour of the dashboard seams. If interior equipment codes JN and JW are specified, the contrasting seams are in pale grey.



		Basic RRP	Total RRP ^{inc. VAT}
YQT	Tailored for the R8's luggage compartment, this luggage set comprises one suitcase, one briefcase, one suit carrier and two toiletry bags	£3,191.30	£3,670.00
YQQ	Tailored for the interior storage compartment of the R8. Consists of two suitcases	£1,660.87	£1,910.00
YQR	R8 suitcases in exclusive leather; Two suitcases handcrafted in Germany this luggage set is uniquely designed to fit the R8 interior available to order to match the seat upholstery and contrast stitching of your R8 and featuring and R8 embossed logo. Genuine carbon handles, contrasting seams and exquisite Nardia lining, available to match either the outer suitcase or stitching, ensure that these are true collectors items	£2,086.96	£2,400.00
YQU	R8 complete exclusive luggage set; comprising one suitcase, one suit carrier, one briefcase and two toiletry bags. Handcrafted in Germany this luggage set is uniquely designed to fit the R8 luggage compartment and available to order to match the seat upholstery, available in all exclusive colours and contrast stitching of your choice and featuring and R8 embossed logo. A choice of lining to match either the leather casing or stitching is available. Genuine carbon handles, contrasting seams and exquisite Nardia lining, available to match either the outer suitcase or stitching, ensure that these are true collectors items. In combination with JN and JW interior colour the stitching is in Pale Grey	£4,000.00	£4,600.00

Technical data

Engine	Cylinder	Displacement, cubic cm (valves per cylinder)	Max. power ¹ , PS	Max. torque, Nm (at rpm)	Transmission	CO ₂ emissions ² , g/km	0-62mph acceleration, seconds	Top speed ³ , mph
4.2 FSI quattro®	V8	4163 (4)	420/7800	430 (4500 - 6000)	6-speed manual	332*	4.6	187
4.2 FSI quattro®	V8	4163 (4)	420/7800	430 (4500 - 6000)	R tronic sequential manual	318*	4.6	187
5.2 FSI quattro®	V10	5204 (4)	525/8000	530 (6500)	6-speed manual	351	3.9	197
5.2 FSI quattro®	V10	5204 (4)	525/8000	530 (6500)	R tronic sequential manual	327	3.9	197



¹The given value was obtained in accordance with the specified measurement procedure (the respective current version of the Directive 80/1269/EEC).

²The given values were calculated in accordance with the specified measurement procedure (the respective current version of Directive 80/1268/EEC).

³This information does not relate to a single vehicle and does not comprise part of the offer but is merely intended for the purpose of comparison between the different vehicle types.

*Preliminary data only.

ABI insurance group	Weights, kg		Volumes		Fuel consumption, mpg (l/100km)		
	Unladen weight ⁴	Gross weight limit	Luggage compartment capacity, litres	Fuel tank capacity approx, litres	Urban	Extra Urban	Combined
20E	1560	1860	100	90	13.3 (21.2)*	29.4 (9.6)*	20.3 (13.9)*
20E	1565	1865	100	90	14.2 (19.9)*	29.7 (9.5)*	21.2 (13.3)*
20E	1620	1920*	100	90	12.5 (22.6)	27.7 (10.2)	19.2 (14.7)
20E	1625	1925*	100	90	13.6 (20.7)	29.4 (9.6)	20.6 (13.7)



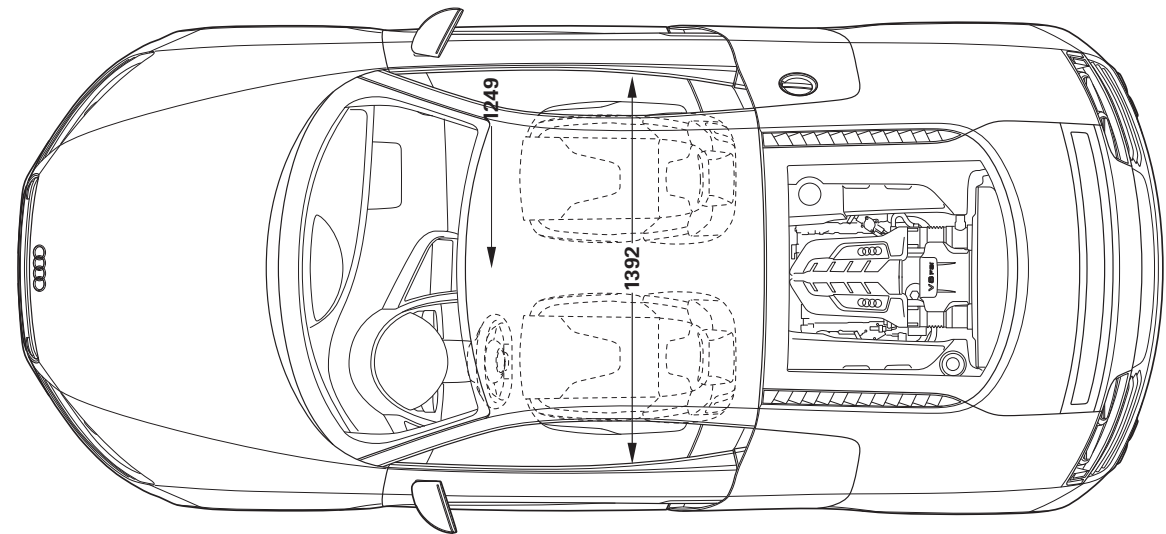
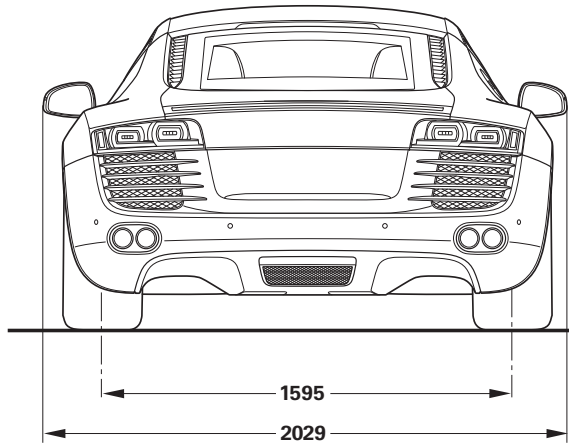
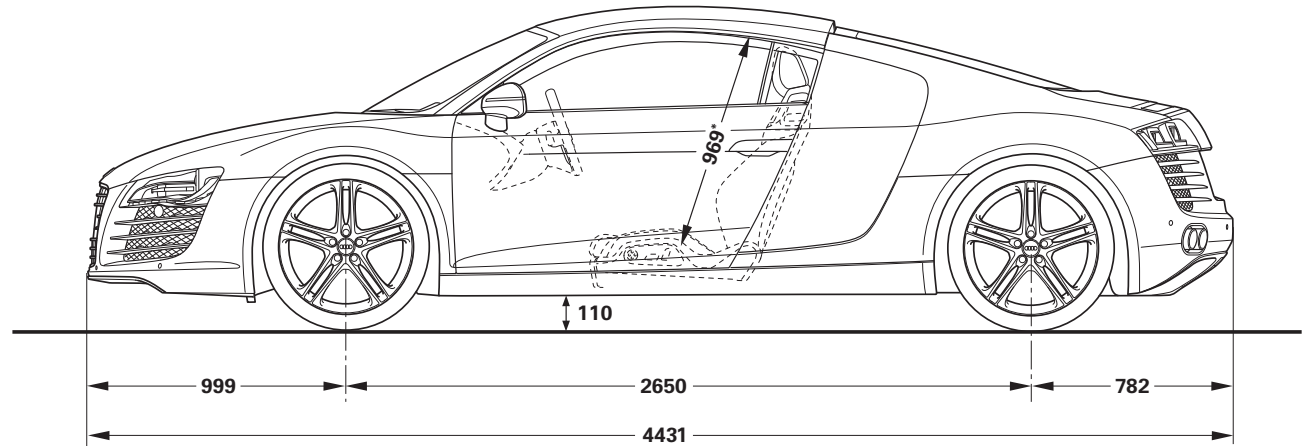
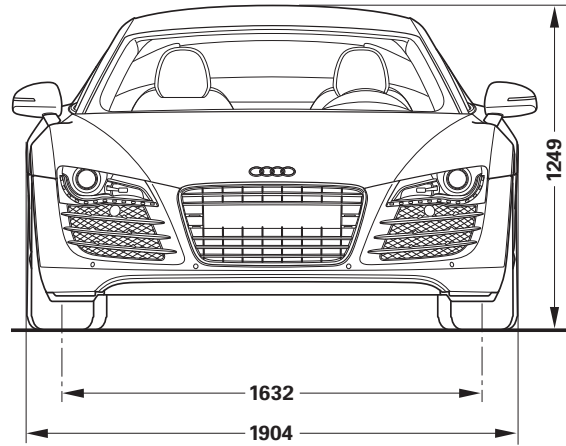
³Top speed is achieved in sixth gear.

⁴Vehicle's unladen weight without driver (calculated in accordance with the current version of Directive 80/1268/EEC). The fitting of additional equipment may increase the vehicle's unladen weight and drag coefficient, whereupon the potential carrying capacity and top speed will be correspondingly reduced.

*Preliminary data only.

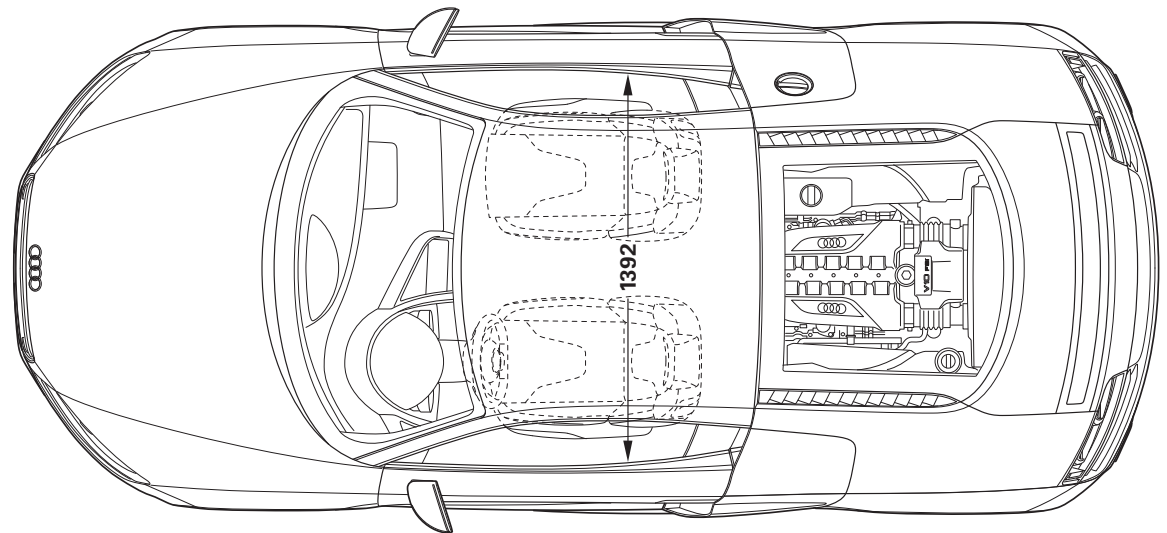
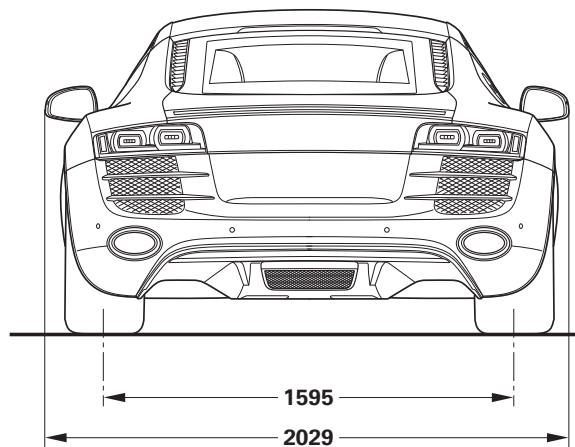
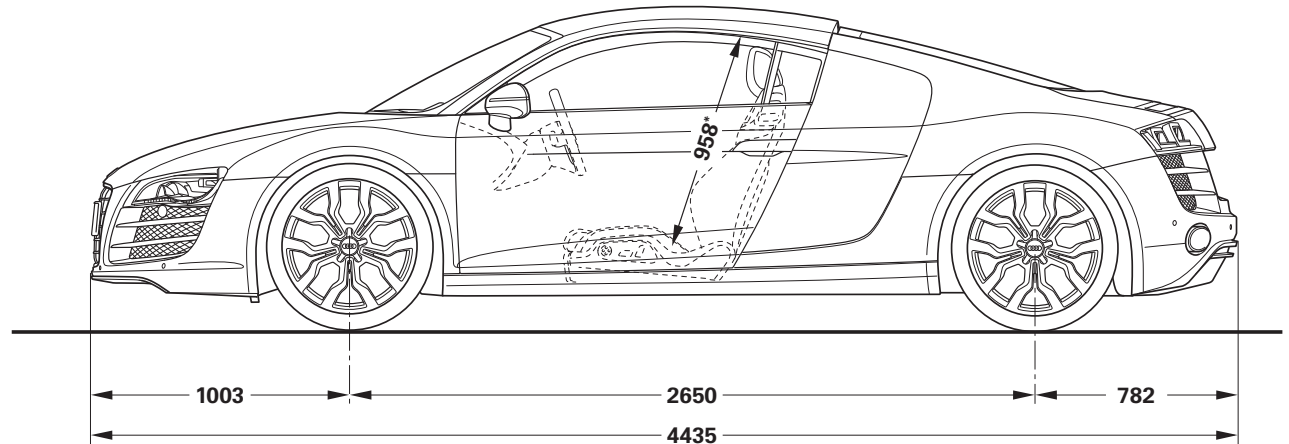
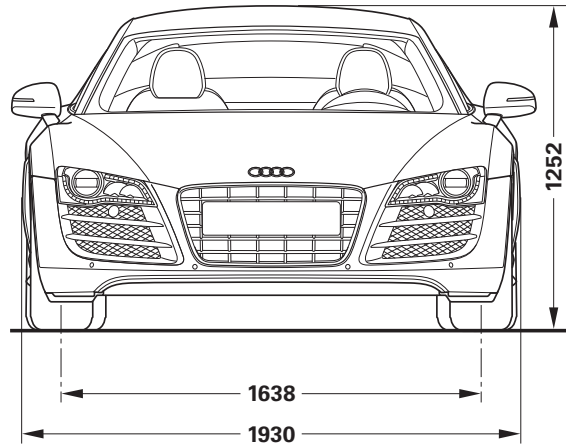
Dimensions

R8



Dimensions

R8 V10



Dimensions were measured with vehicle at unladen weight, ground clearance measured with vehicle carrying its maximum load. Turning circle approximately 11.8m.

Dimensions in millimetres.
*Maximum head room.

Additional information

CO₂ data and information

CO₂ emissions-based Vehicle Excise Duty

Vehicle Excise Duty (Road Fund Licence) is based upon the amount of Carbon Dioxide (CO₂) a vehicle emits, measured in grams per kilometre (g/km). The DVLA has created seven categories:

Petrol and Diesel engines	
A – up to 100g/km	£0.00
B – 101 to 110g/km	£35.00
C – 111 to 120g/km	£35.00
D – 121 to 130g/km	£120.00
E – 131 to 140g/km	£120.00
F – 141 to 150g/km	£125.00
H – 166 to 175g/km	£175.00
I – 176 to 185g/km	£175.00
J – 186 to 200g/km	£215.00
K* – 201 to 225g/km	£215.00
L – 226 to 255g/km	£405.00
M – over 255g/km	£405.00

*Band K includes cars that have a CO₂ figure over 225g/kg but were registered before 23 March 2006.

Servicing

Servicing tailored to your needs

Prior to the 2000 model year, almost all Audi models followed a traditional fixed Service Schedule similar to that of other major car manufacturers: a Lubrication Service every 10,000 miles and an Inspection Service every 12 months or 20,000 miles – whichever occurred sooner. Since then, Audi has introduced a more flexible maintenance system that works in accordance with how, where and how much an individual uses their car.

The two Servicing Regimes available are the conventional 'Inspection Service Regime' and the flexible 'LongLife Service Regime'. When you purchase a new car, we will recommend one of these regimes to you depending on your own individual driving style and journey-type. The tables below should give you an indication of which regime might be more appropriate for you.

With the LongLife Service Regime, on-board sensors continuously monitor the condition of the engine oil in terms of temperature, level and oil degradation. The monitoring system also checks mileage, brake-pad wear and battery condition. Using this information, the car's on-board

computer calculates its own maintenance interval, providing you with ample warning of a due Service via the 'distance to Service' display.

In practice, this means that every Audi gets the maintenance it needs, when it needs it. For companies and private owners alike, there are many advantages to the LongLife Service Regime. Longer Service intervals mean lower maintenance costs, and thus lower whole-life costs. According to company car mileage monitored at Audi since the introduction of LongLife, petrol engines are typically achieving an average of at least 17,500 miles and diesel engines around 20,000 miles between services.

One of the factors that makes this kind of servicing regime possible is the advanced engineering and technology that goes into Audi engines. Furthermore, Audi use high-grade long-life oils such as Castrol SLX LongLife III, which are designed to withstand ageing and high loads without deterioration. Compared to conventional oils, these advanced-formulation oils also give exceptional levels of engine protection, are kinder to the environment and deliver average fuel savings of 2.7%.

Inspection Service Regime

Vehicle usage:	
Mileage	Less than 10,000* miles per annum.
Type of journey	Mainly city/town centre driving. Short journeys
Conditions	Frequent cold starts. High engine loading – e.g. frequent hill climbs, vehicle fully loaded, towing.
Driving style	Uneconomical – e.g. heavy acceleration, heavy braking, constant changes in speed, constant use of high revs, 'sporty' driving.

Service intervals:	
Oil-change Service	Every 10,000* miles / 1 year
Interval Service	Every 20,000* miles / 2 years
Interval Service Inspection	Every 40,000* miles / 4 years

LongLife Service Regime

Vehicle usage:	
Mileage	More than 30 miles per day.
Type of journey	Motorway and main road driving. Mainly longer distance journeys. Constant speeds.
Conditions	Normal engine loading – e.g. with little or no towing, with little or no hill climbs. Normal vehicle loading.
Driving style	Moderate acceleration, moderate braking, engine revs mainly below 3000.

Service intervals:	
Interval Service	Flexible to a maximum 20,000* miles / 2 years
Interval Service Inspection	Every 40,000* miles / 4 years

*Mileages are approximate as the Service Indicator system uses kilometres as its distance measurement.

Service by Design

At Audi, we believe our customers can expect excellent service each and every time they make contact with us. To ensure that this happens, we have agreed a set of service standards with our Audi Centre network that governs the way they do business with you. These standards apply to both Sales and Aftersales, and we actively monitor our Centres to ensure that you receive the highest level of customer service. These service standards will ensure a consistent, stress free experience whenever you are in contact with anyone representing the Audi brand.

Every Audi Centre will be open during the following hours:

Sales: 9am–6pm Monday to Friday
9am–5pm Saturday

Service: 8am–6pm Monday to Friday
8.30am–1pm Saturday

Sunday opening at local discretion.

Test drives

Whilst we cannot always have the desired demonstrator car ready immediately, we will confirm arrangements for a test drive within two working days (subject to status).

New Car delivery

Once we have confirmed a delivery date with you, we will keep you informed of progress. In the unlikely event of a delay, we will provide you with a courtesy car to minimise inconvenience and keep you mobile.

Delivery to any location within the UK

To maximise your Audi experience right from the first day of ownership, we will deliver your car to your preferred location – whether that's home or your place of work (subject to reasonable notice).

Every attention to detail

Your ownership experience starts with half a tank of fuel.

Quotation response

We will answer any quotation request within 1 working day.

Training

We run a continuous training development programme for all our staff so that we consistently deliver a high-quality, professional service.

Formal complaints procedure

We have a complaints procedure designed to ensure any negative issue you raise with us is dealt with properly.

Courtesy cars

When your car is off the road, perhaps due to a scheduled service or MOT, we will offer you an Audi Courtesy Vehicle until yours is ready. We'll even collect from and deliver to your chosen location, keeping hassle to an absolute minimum.

Service bookings

If you do not require a courtesy car, we will service your Audi within a maximum of 5 working days. If you do choose to take a courtesy car, we will promise to service your vehicle within a maximum of 10 working days.

Cleaning

When your car comes to our workshop, we will wash and vacuum it at no extra cost.

No hidden charges

You will be consulted before we carry out any necessary work on your vehicle, and anything charged for will be itemised on your bill. No extra work will be undertaken without your permission.

A personal service

All work will be done by a named Audi technician, to whom you can personally direct questions or requests should you need to.

Environmental commitment

We promise to dispose of all non-biodegradable materials from your vehicle in a responsible manner.

Pricing information

Pricing

Prices and specifications given are correct at the time of printing. Always check details with your Audi Centre, as Audi policies are continually developing. We reserve the right to change prices or specifications at any time.

All prices are subject to VAT, currently charged at 15%.

Delivery charges and number plate are not included in the vehicle price.

Delivery charge	£471.30
Number plate	£20.00
VAT	£73.70
Total	£565.00



Audi Roadside Assistance

Your new car comes complete with free roadside assistance and recovery across the UK provided by RAC Motoring Services. Your 24 months' free cover can be extended for a further year free-of-charge, provided that your vehicle is serviced and, if necessary, repaired by an Authorised Audi Centre or Audi-Authorised Repairer in accordance with the manufacturer's instructions.

Audi Customer Care

Every new Audi benefits from the comprehensive Audi Customer Care Package, which comprises:

- A 3-year Audi warranty, which covers you for unlimited mileage in the first 2 years of ownership, with a full mechanical and electrical warranty which covers you for up to 60,000 miles in the 3rd year
- A 3-year paint warranty
- A 12-year anti-corrosion warranty
- Up to 3 years' UK roadside assistance and recovery

This package, together with Audi variable Service intervals, offers a combination unmatched by any other major manufacturer. Contact your Audi Centre for full details.

Audi Tax-Free Sales

If you are entitled to purchase a vehicle free of VAT, normally through Military or Diplomatic privilege, please contact your local Audi Centre for full details.

Should you have any difficulty obtaining the information you require, please call Freephone 0800 585 878.

Audi Finance

Audi Finance specialise in providing funding solutions for Audi drivers. Whether your Audi is for private or business use, there are a range of funding options to choose from.

Below is the full range of finance products.

- Solutions – a Personal Contract Plan
- Hire purchase
- Lease purchase
- Finance lease
- Contract hire

With all products, you can choose a fixed-cost maintenance plan designed to help you budget accurately. No matter what Audi model you choose, your local Audi Centre can provide you with a personalised quote which could fit your budget and motoring needs. Audi Finance is a trading name of Volkswagen Financial Services (UK) Limited. An offer of finance depends on certain conditions. Available to people over 18 in the UK only.

Audi Insurance

Competitive, comprehensive motor insurance designed specially for Audi drivers. All new Audi models come with complimentary seven-day cover upon request – we'll email a cover note directly to your Audi Centre, enabling them to tax your car easily. This way, you can drive straight out of the showroom. Taking out an annual policy is easy and can begin as soon as your free seven-day cover expires. For more information, contact your local Audi Centre. Alternatively, call 0800 051 3146 for a quote and to receive 7 days' complimentary cover for your new Audi. Audi Insurance is underwritten and administered by Zurich Insurance Company.



Notes

Notes

R8 Sales Support
0800 554433
www.audi.co.uk

Specifications and prices subject
to change without notice.

© Audi UK

Printed in the UK
Edition 4.2. 05/09
2010 Model Year



Mixed Sources
Product group from well-managed
forests and other controlled sources

Cert no. TT-COC-002327
www.fsc.org
© 1996 Forest Stewardship Council