



The new Audi TT RS

Pricing and Specification Guide
Valid from May 2010

Personalising your Audi TT RS

This guide has been designed to help you tailor and price your Audi TT RS quickly and logically. At the back, you will also find information on CO₂ emissions-based vehicle excise duty and other services offered by Audi, including Finance and Insurance. Alternatively, you can go to audi.co.uk and configure your Audi TT RS online.

The Audi TT RS

Efficiency	8
Engine	10
Transmission and brakes quattro®	11
	12

Model details and prices

Standard model equipment	14
Model prices	16

Audi exclusive	18
-----------------------	----

Colour and upholstery

Paint	20
Upholstery	22
Colour and trim guide	24
Inlays	25

Options

Wheels, tyres and suspension	26
Performance	28
Packages	29
Audio and communication	30
Interior equipment	32
Seats	34
Exterior equipment	35
Safety and security	36
Service Plan and warranty	37

Technical details

Technical data	38
Dimensions	39
Additional information	41
Pricing information	43





Vorsprung durch Technik

Three words that express the very essence of Audi. Vorsprung durch Technik isn't a slogan. It's our way of seeing the world. It is the driving force behind our history of innovation that continues into the 21st century. Indeed, many technologies that Audi pioneered remain in our cars today. Some are milestones in the history of the motorcar.

From our beginnings in 1899, to the Auto Union team's Grand Prix successes in the 1930s and our more recent wins at Le Mans, we have always been at the forefront of the motor industry.

Vorsprung durch Technik makes us who we are. To see more of its influence, just read on.

The Audi TT RS combines high performance and iconic design

The Audi TT RS has a turbocharged 2.5-litre TFSI® engine that produces 340PS and 450 Nm of torque – making it the most powerful TT we’ve ever produced. Lowered suspension and special spring/damper settings provide outstanding handling, and advanced aerodynamics ensure precise stability at all times. A high-performance chassis and quattro® all-wheel-drive complete this exhilarating sports car.





Efficiency

At Audi, doing less is something we're trying to do more of. We're working to use less fuel, release less CO₂ and waste less energy. It's why we've incorporated a number of more efficient technologies into the Audi TT RS.

Aerodynamics

When it comes to efficiency, a car's shape matters. It's something we kept in mind when we created the TT RS, giving it a smooth, flowing design. As a result, its drag coefficient – a measure of aerodynamic resistance, which affects both fuel consumption and CO₂ emissions – remains surprisingly low.

TFSI®

Inside the engine of the Audi TT RS you'll find the same advanced fuel-injection technology that's driven us to win after win at Le Mans. With TFSI®, fuel is injected directly into the engine's chambers so that combustion is timed right down to the millisecond. As a result, waste is minimised and you get the most from every last drop of fuel.





Audi Space Frame®

The TT RS features an aluminium Audi Space Frame® which is rigid, strong and incredibly light – keeping the car's weight down to a minimum. It means that as well as improving safety and agility, it also helps reduce fuel consumption.

Engine

2.5 TFSI® engine

The five-cylinder engine combines a turbocharger with FSI® direct petrol injection, confirming the status of the Audi TT RS as a high-performance sports car. The 2.5-litre TFSI® engine is ultra-compact. Just 49 centimetres in length, and weighing 183 kilograms, it's perfectly suited for transverse installation in the Audi TT RS. The crankcase is made of vermicular-graphite cast iron and this high-tech material is both strong and lightweight. Perfectly placed reinforcements enhance the block's loading, while the cylinder head, pistons, and connecting rods are also lightweight yet extremely strong.





Transmission and brakes

The Audi TT RS offers a fast-shifting manual transmission for smooth, efficient acceleration and a high-performance braking system to ensure this car stops as well as it goes.

Short-shift manual transmission

For fast, crisp gear changes in a sporty, manual set-up, the Audi TT RS comes with short-shift manual transmission as standard. This simple yet effective gear-change pattern means that the gearstick has a shorter distance to travel between each shift-gate, minimising the effort you have to make with each up or down-shift, whilst maximising your driving enjoyment.

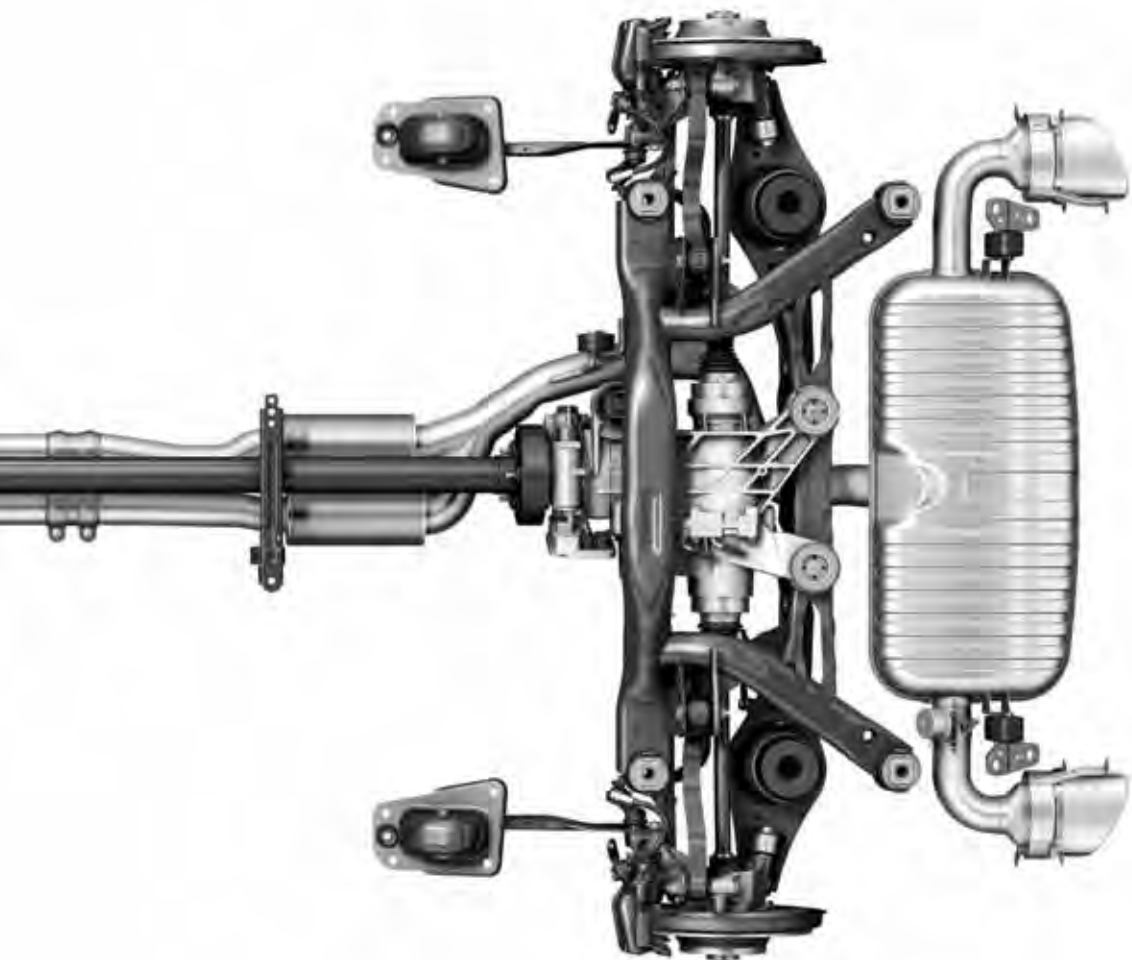
High-performance braking system

We created the 18-inch high-performance braking system in the Audi TT RS with safety and control in mind. It features four-piston brake callipers painted in black with the RS logo on the front axle, as well as ventilated brake discs (370mm in diameter) at the front, drilled and designed using composite materials. All these features help the system to provide good stability even when the car's carrying a heavy load.

quattro®

It's the technology that has given Audi the edge on the rally circuit ever since it was first introduced 30 years ago – a technology that delivers ultimate control whilst enhancing the sporty characteristics which make the Audi TT RS so thrilling to drive. It's called quattro® all-wheel-drive. The principle is simple: in the same way that four brakes ensure better deceleration, four permanently-driven wheels deliver better acceleration and road-holding, pushing or pulling the car as needed, for a driving experience that's both dynamic and safe.





In the Audi TT RS, asymmetric dynamic torque distribution continuously distributes drive power between the front and rear axles, depending on weather conditions, road surface and gradient. This leads to greater flexibility and an enhanced, sportier drive.

Standard model equipment

All TT RS models have the following items of standard equipment

Wheels, tyres and suspension

18" '5-double-spoke' design alloy wheels
TT RS Sports suspension with dynamically tuned spring/damper combination and modified responsiveness
Tyre Mobility System

Seats

Front Sports seats in Silk Nappa leather with contrasting stitching
Heated seats
Driver and front passenger manual seat height adjustment

Audio and communication

Concert radio. AM/FM twin tuner with TP memo function. Single front-loading CD player with MP3 compatibility. Active front and rear speakers. Includes AUX-IN socket

Safety and security

TT RS 18" high-performance braking system: diagonally split, anti-lock (ABS) with electronic brake-force distribution (EBS), hydraulic brake assist, adapted brake booster characteristics, front brake discs in composite design, ventilated rear discs, black painted brake callipers (ventilated and drilled), with RS logo on front callipers
Anti-lock Braking System (ABS)
Anti-Slip Regulation (ASR) – traction control
Anti-theft device – Thatcham Category 1 approved
Driver and front passenger airbags
Electronic Differential Lock (EDL) – traction control
Electronic Stability Programme (ESP) – with Sport mode
First-aid kit
Front ISOFIX and front passenger airbag deactivation switch
Locking wheel bolts
Roll-over protection bars (Roadster only)

Servotronic – electromechanical, speed-sensitive, power-assisted steering
Side airbags for front seats
Tool kit and car jack
Warning triangle

Exterior equipment

Door mirrors – electrically operated and heated
Electric front windows
Fixed rear spoiler
Grille in high-gloss black diamond design with one-piece decorative trim frame in matt aluminium look
Matt aluminium-look door mirror housings
Rear fog lights
Scuff plates with TT RS logo
Sill extensions
TT RS front and rear bumpers
Twin oval exhaust tailpipes
Xenon Plus headlights with LED daytime-running lights and headlight washer system



Interior equipment

Matt-brushed aluminium interior detailing

Door armrest, instrument panel cover and side of centre console in Black Fine Nappa leather with contrasting Silver stitching

Black perforated leather handbrake grip

Black perforated leather and aluminium gear lever with TT RS logo

Driver's Information System (DIS) with additional functionality: oil pressure, lap timer and turbo boost pressure

Electronic climate control

Extended leather package – black with silver stitching

Front floor mats with leather Silver piping to match seat centres

Fully automatic electrically-operated soft-top which opens in 12 seconds, with integrated wind deflector (Roadster only)

Instrument dials in grey with white illumination and TT RS logo

Short-shift manual transmission

TT RS 3-spoke perforated leather 'flat-bottomed' multi-function steering wheel with TT RS badge

Sport button in the centre console – pressing the button alters the throttle response and exhaust valve control, which in turn alters the exhaust note, as well as changing the damper characteristics of Audi magnetic ride (if ordered) for more dynamic suspension tuning

Split-folding rear seat (Coupé only)



TT RS Coupé

Engines	Power	Transmission	Basic RRP	TOTAL RRP inc VAT	Recommended OTR
2.5 TFSI quattro	340PS	6-speed manual	£37,097.87	£43,590.00	£44,775.00

TT RS Roadster

Engines	Power	Transmission	Basic RRP	TOTAL RRP inc VAT	Recommended OTR
2.5 TFSI quattro	340PS	6-speed manual	£38,748.94	£45,530.00	£46,715.00

Please note: The maximum power output figures are quoted in PS (or Pferdestärke, which is the metric equivalent of brake horsepower). To convert to brake horsepower, divide the PS figure by 1.0139.

Recommended On-The-Road (OTR) retail prices include: delivery charge, half a tank of fuel, number plates at £580.00 (inc. VAT), Road Fund Licence (which may vary depending on model/transmission – see page 41 for details) and first registration fee at £55.00.

RRP – Recommended Retail Price. VAT is calculated at 17.5% but this may alter to reflect any change in the applicable VAT rate.





Audi exclusive



Audi exclusive

Every Audi is intrinsically exclusive. It's the breathtaking design, the exceptional engineering, the Vorsprung durch Technik. But for that special touch you can specify your new Audi TT RS with options from Audi exclusive. Whether you want a unique, custom-mixed paint colour or seats in a combination of complementary shades, Audi exclusive will enable you to drive the car you've always imagined.

Both the exclusive and standard options can be found on the following pages.



Paint and hood colours

You can select one of the standard colours shown opposite or, for a different look, choose from the range of optional finishes.

A choice of two hood colours is available for the TT RS Roadster, enabling you to complement or contrast your chosen paint colour.

Options are subject to availability and may extend delivery.

All the colour swatches on this page are matched as accurately as possible to the actual paint colours used. However, due to print processes, Audi UK cannot guarantee that colours shown are 100% accurate.

Visit your local Audi Centre for a more accurate colour swatch.

RRP – Recommended Retail Price.

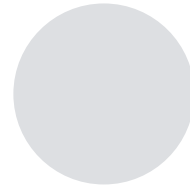
VAT is calculated at 17.5% but this may alter to reflect any change in the applicable VAT rate.

Standard colour

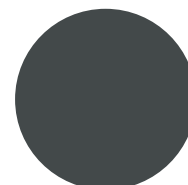


Ibis white – T9

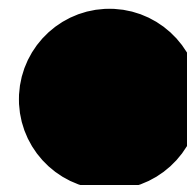
Optional colours



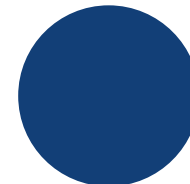
Suzuka grey, metallic – M1



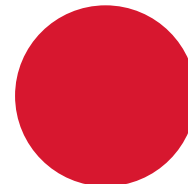
Daytona grey, pearl effect – 6Y



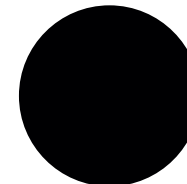
Phantom black, pearl effect – L8



Sepang blue, metallic – E9



Misano red, pearl effect – N9

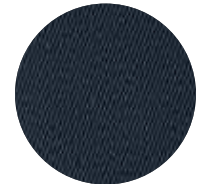


Panther black, crystal effect – H8

Hood colours



Black hood – PA



Dark grey hood – SW

Optional colours

Basic RRP
£425.53

Total RRP inc VAT
£500.00

Paint

Audi exclusive

Everyone has a favourite colour. No matter what yours is, Audi exclusive provides a range of unique colours that have been designed to set your car apart. Choose from the swatches here, or specify any other paint colour in the Audi range – whether it's Jet blue from the Audi R8 or Alpine white from the original Audi quattro. The choice is yours.

Customised

If you have a particular colour in mind, we'll mix the exact metallic or pearl-effect shade you want.*

*Custom paint is subject to factory approval, and is available for metallic and pearl-effect water-based paints only. Three-colour process colours and two-tone schemes are not available.

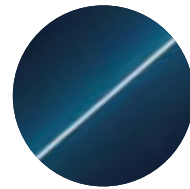
**Visit your local Audi Centre for colour samples.

All the colour swatches on this page are matched as accurately as possible to the actual paint colours used. However, due to print processes, Audi UK cannot guarantee that colours shown are 100% accurate.

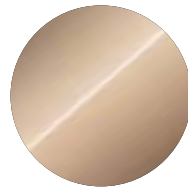
Visit your local Audi Centre for a more accurate colour swatch.

RRP – Recommended Retail Price.

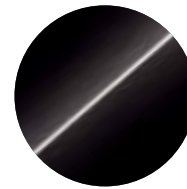
VAT is calculated at 17.5% but this may alter to reflect any change in the applicable VAT rate.



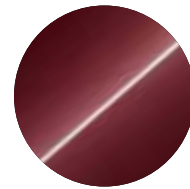
Palace blue, pearl effect



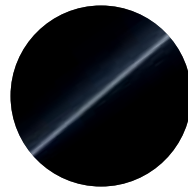
Sand beige, pearl effect



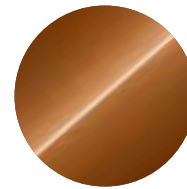
Saddle brown, pearl effect



Classic red, pearl effect



Mamba black, metallic



Ipanema brown, metallic



Any colour in the Audi range



100 Audi exclusive colours to choose from**



Customised paint

Audi exclusive

Basic RRP

£1,446.81

Total RRP inc VAT

£1,700.00

Customised

Basic RRP

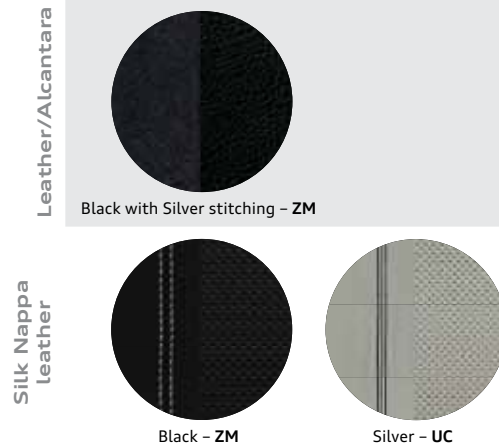
£2,042.55

Total RRP inc VAT

£2,400.00

Upholstery

Choose your favourite upholstery from the swatches shown opposite to give your car's interior the look and feel you want. You can also order front bucket seats – see page 34 for more details.



TT RS embossed Silk Nappa leather. Head restraints and side-seat bolsters in leather (with contrasting stitching) seat-centre panel in leather with perforated inserts; door trims inserts in leather (same as seat colour) including floor mats with piping

TT RS	Basic RRP	Total RRP inc VAT
●	No charge	No charge
S	No charge	No charge

Options are subject to availability and may extend delivery.

- = Not available
- = Available
- S = Standard

All leather upholstery choices include seats, head restraints and door inserts in leather.

Buckets seats available as an option – please see page 34.

RRP – Recommended Retail Price.

VAT is calculated at 17.5% but this may alter to reflect any change in the applicable VAT rate.

Upholstery

Audi exclusive

With Audi exclusive, you can specify your seats in Fine Nappa leather, in an array of different colours shown to the right.

Select just one all-over shade for each seat, or customise each panel in two or more complementary colours from the distinctive Audi exclusive palette. You can even choose the colour of the decorative stitching – to match or contrast with your chosen upholstery – from this varied collection. Whatever combination you decide upon, we think you'll be extremely comfortable with the result.

Options are subject to availability and may extend delivery.

- = Not available
- = Available
- = Standard

*Leather, stitching and piping (where applicable) can be specified in a variety of colours from the Audi exclusive range.

RRP – Recommended Retail Price.

VAT is calculated at 17.5% but this may alter to reflect any change in the applicable VAT rate.

Order Code		TT RS	Basic RRP	Total RRP inc VAT
PYA S3G	Audi exclusive leather package 1 in Fine Nappa leather. Includes leather-covered seat upholstery, door trim inserts, front centre armrest and floor mats with leather piping. Front seat backrests come embossed with TT RS logo. Backrest covers and seat add-on parts come in the interior trim colour. Not available in combination with bucket seats*	●	£1,306.38	£1,535.00
PYG S3G	Audi exclusive leather package 2 in Fine Nappa leather. Includes all the contents of leather package 1 (PYA/S3G) plus: leather-covered seat backrest covers, handbrake grip, front centre armrest, door armrests and handles, side of centre console and dashboard. Seat side trims and add-on parts are colour coordinated. Not available in combination with bucket seats	●	£1,530.43	£1,760.00
PYO PSS S3G	Audi exclusive leather package 1 in Fine Nappa leather with bucket seats. Includes leather-covered seat upholstery, head restraints, front centre armrest and door trim inserts and embossed TT RS logo in the front seat backrests. Backrest covers and seat add-on parts come in the interior trim colour*	●	£3,408.51	£4,005.00
PYY PSS S3G	Audi exclusive leather package 2 in Fine Nappa leather with bucket seats. Includes all the contents of leather package 1 (PYO/PSS/S3G) with bucket seats plus: leather-covered seat backrest covers, handbrake grip, door armrests and handles, side of centre console and dashboard. Seat-side trims and add-on parts are colour coordinated	●	£3,634.78	£4,180.00



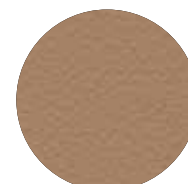
Chestnut brown



Jet grey



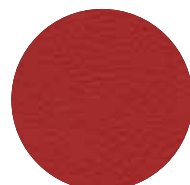
Alabaster white



Sand beige



Saddle brown



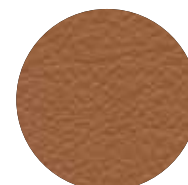
Crimson red



Magnolia white



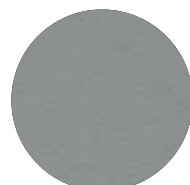
Havanna brown



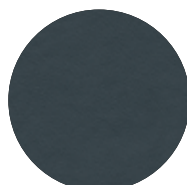
Cognac brown



Night blue



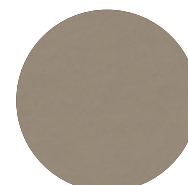
Cloudy grey



Smoky blue



Iceland green



Powder beige



Classic red

Also available:

Alcantara colours: available in all the Audi exclusive colours shown, except for Crimson red, Jet grey and Sand beige. Alcantara equivalents are Chilli red, Amethyst grey, and Sesame beige respectively.

Dashboard colours: available in all the Audi exclusive colours shown, except for Alabaster white, Magnolia white and Sand beige.

Please consult your Audi Centre for examples of Alcantara and carpet colours.

Colour and trim guide

Interior trim colours

To help you choose the right interior for your new TT RS, please use this guide, showing the carpet, dashboard and headlining colours that have been matched to your chosen upholstery.

Coupé and Roadster

Order Code	Upholstery	Carpet	Dashboard (upper/lower)	Headlining	Leather/Alcantara (N7S)	Silk Nappa leather (N5T)
ZM	Black with Silver stitching	Black	Black	Black	●	●
UC	Silver with Black stitching	Black	Black	Black	–	●



Options are subject to availability and may extend delivery.

– = Not available
 ● = Available
 S = Standard

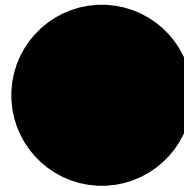
Inlays

Inlays are the all-important finishing touch that add flair and interest to your car's interior.

Order Code		T T R S	Basic RRP	Total RRP inc VAT
STG	Matt-brushed aluminium	S	No charge	No charge
YUV	Phantom black	•	£519.15	£610.00
YUU	Ibis white	•	£519.15	£610.00



Matt-brushed aluminium – **STG**



Phantom black – **YUV**



Ibis white – **YUU**

Options are subject to availability and may extend delivery.

- = Not available
- = Available
- S = Standard

RRP – Recommended Retail Price.

VAT is calculated at 17.5% but this may alter to reflect any change in the applicable VAT rate.

Wheels, tyres and suspension

Choose a set of specially-selected alloy wheels to subtly enhance the way your car looks and drives.



18" x 9J '5-double-spoke' design
alloy wheels - C3D



19" x 9J '5-arm rotor' design
alloy wheels - PQW



19" x 9J '5-arm rotor' design titanium finish
alloy wheels - PQU



20" x 9J '7-twin-spoke' polished two-tone
design alloy wheels - PQN

Wheels, tyres and suspension

Order Code		TTRS	Basic RRP	Total RRP inc VAT
C3D	18" x 9J '5-double-spoke' design alloy wheels with 245/40 R18 tyres	S	No charge	No charge
PQW	19" x 9J '5-arm rotor' design alloy wheels with 255/35 R19 tyres	●	£1,042.55	£1,225.00
PQU	19" x 9J '5-arm rotor' design titanium finish alloy wheels with 255/35 R19 tyres	●	£1,131.91	£1,330.00
PQN	20" x 9J '7-twin-spoke' polished two-tone design alloy wheels with 255/30 R20 tyres. Not available in combination with Audi magnetic ride	●	£1,740.43	£2,045.00
1BQ	Audi magnetic ride. Adaptive suspension system with two selectable modes (Normal or Sport). Sensors in the car monitor the road conditions and adjust the dampening effect by varying a magnetic charge which passes through a fluid-based shock absorber for improved road handling, outstanding chassis control and excellent driving comfort. Not available in combination with 20" '7-twin-spoke' alloy wheels	●	£978.72	£1,150.00

Options are subject to availability and may extend delivery.

- = Not available
● = Available
S = Standard

RRP – Recommended Retail Price.

VAT is calculated at 17.5% but this may alter to reflect any change in the applicable VAT rate.

Performance

Tailor your car's performance with these impressive features.

Order Code		TT RS	Basic RRP	Total RRP inc VAT
OP6	Sports exhaust. Oval-shaped dual exhaust pipes in matt black which subtly alter the sound of the TT RS engine	●	£740.43	£870.00
PQQ	Top speed restrictor – 174 mph. Includes carbon design package for engine bay	●	£1,131.91	£1,330.00

Options are subject to availability and may extend delivery.

- = Not available
- = Available
- S = Standard

RRP – Recommended Retail Price.

VAT is calculated at 17.5% but this may alter to reflect any change in the applicable VAT rate.



Packages

Some items work well together, which is why we've created these special packages. They provide increased convenience and value by combining several of our most popular options.

Order Code		TT RS	Basic RRP	Total RRP inc VAT
WBI	Comfort package. Acoustic parking system (rear only), cruise control, auto-dimming rear-view mirror and light and rain sensors	●	£425.53	£500.00
WB3	Sound package. BOSE® surround sound system, Symphony radio and iPod connection. Not available in combination with technology package, Satellite Navigation system – DVD-based, Audi Music Interface, CD changer or USB connection	●	£425.53	£500.00
WB4	Technology package – Satellite Navigation system – DVD-based, Bluetooth interface and Audi Music Interface. CD changer can be selected in lieu of AMI. Only in combination with multi-function steering wheel and Concert radio. Not available in combination with sound package, iPod or USB connection	●	£1,272.34	£1,495.00

Options are subject to availability and may extend delivery.

- = Available
- = Not available
- S = Standard

RRP – Recommended Retail Price.

VAT is calculated at 17.5% but this may alter to reflect any change in the applicable VAT rate.



Satellite Navigation system – DVD-based



BOSE® surround sound system (8RY)

Audio and communication

Stay in touch using our range of communication functions, and give each journey its own soundtrack with our advanced audio equipment.

Options are subject to availability and may extend delivery.

- = Available
- = Not available
- S = Standard

RRP – Recommended Retail Price.

VAT is calculated at 17.5% but this may alter to reflect any change in the applicable VAT rate.

Order Code		TT RS	Basic RRP	Total RRP inc VAT
RSL	Symphony radio. AM/FM twin tuner with TP memo function. Front-loading 6-CD changer with MP3 compatibility and active front and rear speakers. Includes AUX-IN socket	●	£225.53	£265.00
8RY	BOSE® surround sound system. Dynamic noise-compensation, 8-channel amplifier, 13 loudspeakers including centre speaker in the dashboard and 2 surround loudspeakers in the rear shelf. Total output of 255 Watts	●	£404.26	£475.00
PNX	Satellite Navigation system – CD-ROM based. Route-planning and guidance using voice and pictogram instructions. Includes AM/FM radio with TP memo function. Single front-loading CD player with MP3 compatibility. Includes AUX-IN socket, MMI operating logic and UK CD-ROM disc. Please note that this option does not include UK TMC functionality. Audio or MP3 CDs cannot be used at the same time as navigation system. Therefore a CD changer, iPod or USB connection is recommended. Not available in combination with Audi Music Interface or Symphony radio	●	£553.19	£650.00
PNC	Satellite Navigation system – DVD-based. Route planning and guidance using voice, pictogram and map. Includes AM/FM tuner with TP memo function. Single front-loading CD player with MP3 compatibility. Includes AUX-IN socket, MMI operating logic and 6.5-inch colour monitor with bird's-eye map display. Two integrated MMC/SD card slots for playing MP3 files, European coverage navigation DVD and dynamic route guidance via TMC. Audio or MP3 CDs cannot be used at the same time as navigation system. Therefore a CD changer or AMI is recommended. Not available in combination with Symphony radio, iPod or USB connection	●	£1,404.26	£1,650.00
QV9	TV reception – analogue and digital. Analogue and digital TV tuner for improved reception of 'free-to-air' TV channels. Picture reception only possible when vehicle is stationary, sound reception at all times. Reception dependent upon local digital network availability. Only in combination with Satellite Navigation system – DVD-based and light and rain sensor package	●	£680.85	£800.00
9ZX	Mobile telephone preparation – Bluetooth interface. Provides handsfree connection via Bluetooth using mobile phone aerial. Please contact your Audi Centre for phone compatibility	●	£208.51	£245.00



Symphony radio



iPod connection



BOSE® surround sound system



Mobile phone preparation – Low

Audio and communication

Order Code		TT RS	Basic RRP	Total RRP inc VAT
9ZF	Mobile telephone preparation – Low, with Bluetooth and voice control. Provides handsfree connection via Bluetooth using mobile phone aerial or, alternatively, using a cradle with charging facility for optimal reception via external aerial. Cradle available at extra cost – please contact your Audi Centre for phone compatibility	●	£327.66	£385.00
UF7	Audi Music Interface (AMI). Universal connection for use with stereo audio sources, USB and MP3 devices including Apple iPod generation 4 onwards (iPod, iPod classic, iPod mini, iPod nano, iPod photo, iPod video, iPod touch). Provides intuitive control through the audio system and multi-function steering wheel. It also replicates the iPod display on the audio screen and DIS, including track titles. The interface provides charging function (dependent on device). Only in combination with Satellite Navigation system – DVD-based. Not available in combination with CD changer, iPod or USB connection	●	£212.77	£250.00
UF1	iPod connection. For playing/charging your iPod. Located in glovebox and controllable via radio or multi-function steering wheel (if fitted). Cannot be combined with CD changer, USB connection or Satellite Navigation system – DVD-based	●	£153.19	£180.00
UF2	USB connection. For playing music from your USB stick. Located in glovebox and controlled via radio or multi-function steering wheel (if fitted). Cannot be combined with CD changer, iPod connection or Satellite Navigation system – DVD-based	●	£153.19	£180.00
7A2	CD changer. For six CDs, located in glovebox and controllable via radio or multi-function steering wheel. Cannot be combined with iPod connection, USB connection or Audi Music Interface	●	£272.34	£320.00

Options are subject to availability and may extend delivery.

- = Available
- = Not available
- S = Standard

RRP – Recommended Retail Price.

VAT is calculated at 17.5% but this may alter to reflect any change in the applicable VAT rate.



Interior equipment

Specify every detail of your car's interior with this range of exclusive options.

Options are subject to availability and may extend delivery.

- = Available
- = Not available
- = Standard

*HomeLink® is a registered trademark of Johnson Controls. For information on compatibility, visit www.homelink.com.

RRP – Recommended Retail Price.

VAT is calculated at 17.5% but this may alter to reflect any change in the applicable VAT rate.

Order Code		TT RS	Basic RRP	Total RRP inc VAT
8T2	Cruise control. For holding any speed above 25mph	•	£182.98	£215.00
VC1	Garage door opener (Homelink**). Programmable radio-operated remote control for up to three compatible doors/gates. Control buttons integrated in the roof module at the front	•	£148.94	£175.00
QQ1	Interior light package. Includes front footwell lighting, illuminated vanity mirrors (Coupé only), interior door handles and glove box, puddle and ambient lighting	•	£102.13	£120.00
QE1	Storage package. Comprising storage net in front passenger footwell and front seat backrests, storage compartment under the front seats. Also includes luggage net in boot on Coupé	•	£102.13	£120.00
3X2	Through-load facility. Includes removable ski bag for transporting long objects. Not available in combination with bucket seats	•	£80.85	£95.00



Through-load facility

Interior equipment

Our fingertips and palms contain more touch receptors than any other part of our body – so shouldn't the parts of our car we handle the most also be the most pleasing to touch? With this in mind, you can specify your car's interior with one or more of the options opposite.

Options are subject to availability and may extend delivery.

*The leather and stitching (where applicable) can be specified from any of the exclusive colours shown on page 23.

- = Available
- = Not available
- S = Standard

RRP – Recommended Retail Price.

VAT is calculated at 17.5% but this may alter to reflect any change in the applicable VAT rate.

Order Code		TT RS	Basic RRP	Total RRP inc VAT	
YSK	Audi exclusive Alcantara headlining. Only available on Coupé	●	£1,348.94	£1,585.00	
YTZ S3G	Audi exclusive Black front floor mats with TT RS logo. Available with Black or Silver piping	●	£374.47	£440.00	
YTO S3G	Audi exclusive seat belts. Colour-coordinated to match seat upholstery or any other colour from the Audi exclusive range	Coupé	●	£1,131.91	£1,330.00
		Roadster	●	£651.06	£765.00
YUG S3G	Audi exclusive leather-covered roll-over protection bars. Only available on Roadster	●	£425.53	£500.00	
YRH S3G	Audi exclusive leather-covered steering wheel rim. Not available in combination with Audi exclusive controls packages*	●	£289.36	£340.00	
YRB S3G	Audi exclusive controls package. Includes leather-covered steering wheel rim, handbrake grip and gear-shift gaiter*	●	£629.79	£740.00	
YUC S3G	Audi exclusive controls package in Black suede. Includes steering wheel rim, handbrake grip and gear-shift knob in Black suede*	●	£629.79	£740.00	



Seats

Choose from a variety of different seat options so you can maintain the right driving posture at all times.

		TT RS	
PV1	Electrically adjustable front seats. Includes adjustment for height, forwards and backwards position, backrest angle and lumbar support. Not available in combination with bucket seats	●	£617.02 £725.00
7P1	Electric lumbar support. For front seats with horizontal and vertical adjustment. Not available in combination with bucket seats	●	£161.70 £190.00
PSS	Audi exclusive front bucket seats in Fine Nappa leather. Include leather-covered seat upholstery, head restraints, and door trims. RS embossed logo in the front seat backrests with manual adjustment. This option deletes front side airbags and ISOFIX preparation for front passenger seat. Not available in combination with storage package, electric front seats, through-load facility, electric lumbar support and any other seat upholstery	●	£1,634.04 £1,920.00

Options are subject to availability and may extend delivery.

- = Not available
- = Available
- S = Standard

RRP – Recommended Retail Price.

VAT is calculated at 17.5% but this may alter to reflect any change in the applicable VAT rate.



Audi exclusive front bucket seats in Fine Nappa leather

Exterior equipment

Make sure your car looks exactly as you want it to by selecting some of our striking options.

Order Code		TT RS	Basic RRP	Total RRP inc VAT
8Q5	Adaptive lights. Swivelling headlights for improved illumination of a winding road	●	£276.60	£325.00
4ZM	Black styling package. Radiator grille-frame in highly polished black, with radiator grille and number plate holder in matt black	●	£255.32	£300.00
4ZL	Matt aluminium styling package. Includes front lip spoiler, bottom edge of rear diffuser insert and struts on rear spoiler	●	£565.96	£665.00
5J1	Deletion of fixed rear spoiler	●	No charge	No charge
VW1	Privacy glass. Dark tinted glass from B-pillar backwards. Only available on Coupé	●	£276.60	£325.00

Options are subject to availability and may extend delivery.

- = Available
- = Not available
- S = Standard

RRP – Recommended Retail Price.

VAT is calculated at 17.5% but this may alter to reflect any change in the applicable VAT rate.



Adaptive headlights



Matt aluminium styling package



Matt aluminium styling package



Matt aluminium styling package

Safety and security

Intelligent technology designed to give you better all-round awareness and safety on the road.

Order Code		T T R S	Basic RRP	Total RRP inc VAT
7X1	Acoustic parking system (rear only). Aids parking by acoustically indicating distances to obstacles	●	£255.32	£300.00
UGI	Audi hill-hold assist. Prevents roll-back on hills for up to 5 seconds by maintaining brake force	●	£76.60	£90.00
6XE	Folding door mirrors	●	£102.13	£120.00
6XK 4L6 4GP	Light and rain sensor package. Includes auto-dimming rear-view mirror and door mirrors, automatic headlight activation, automatic windscreen wipers and sun band for windscreen	●	£382.98	£450.00
8N7	High-beam assist. Automatically adjusts headlights from high-beam to dipped beam when another vehicle is approaching or when entering highly-lit areas such as towns. Only available with folding door mirrors	●	£85.11	£100.00
3B4	ISOFIX child seat fitments for rear seats. Only available on Coupé	●	£29.79	£35.00
7K6	Tyre pressure loss indicator. A visual and acoustic warning when the system detects a loss of pressure in an individual tyre	●	£63.83	£75.00
4GP	Windscreen sun band. Standard on Roadster	●	£46.81	£55.00

Service Plan

Choosing an Audi Service Plan provides an easy way to cover all your car's scheduled servicing with a convenient monthly payment plan. It can take care of everything from fluid and filter changes to your full service, ensuring you retain a full Audi service history. There are no servicing bills to plan for and you'll continue to benefit from today's prices for the length of your agreement.

Order Code		TT RS	Basic RRP	Total RRP inc VAT
-	3-Service Plan. Comprehensive package covering servicing costs for 3 services or 30,000 miles (whichever occurs sooner). Visit audi.co.uk/serviceplans for full details including terms and conditions	Monthly Direct Debit*	£34.04	£40.00
-	5-Service Plan. Comprehensive package covering servicing costs for 5 services or 50,000 miles (whichever occurs sooner). Visit audi.co.uk/serviceplans for full details including terms and conditions	Monthly Direct Debit*	£42.55	£50.00

Warranty

Order Code		TT RS	Basic RRP	Total RRP inc VAT
-	Audi Warranty, covering you for unlimited mileage in the first 2 years of ownership, and up to 60,000 miles in the third year. Transferable between owners**		No charge	No charge
EA6	Audi Warranty, covering you for up to 4 years or 75,000 miles, whichever comes soonest. Cover includes a 2-year unlimited mileage warranty, and up to 75,000 miles in the third and fourth years. Transferable between owners**		£319.15	£375.00
EA9	Audi Warranty, covering you for up to 5 years or 90,000 miles, whichever comes soonest. Cover includes a 2-year unlimited mileage warranty, and up to 90,000 miles in the third, fourth and fifth years. Transferable between owners**		£757.45	£890.00

Options are subject to availability and may extend delivery.

- = Available
- = Not available
- S = Standard

*Prices are based on the Audi Fixed Inspection Service Schedule and 10,000 miles per annum or less. For more information on the Service Schedule, please see page 41.

**Only available when ordering your new TT RS. Please speak to your Audi Centre for full details.

RRP – Recommended Retail Price.

VAT is calculated at 17.5% but this may alter to reflect any change in the applicable VAT rate.

TT RS

technical data

	Coupé	Roadster
Engine	2.5 TFSI quattro	2.5 TFSI quattro
Transmission	6-speed manual	6-speed manual
Cylinder	5-cylinder	5-cylinder
Displacement, cubic cm (valves per cylinder)	2480 (4)	2480 (4)
Max. power ¹ , PS at rpm	340/5400-6500	340/5400-6500
Max. torque, Nm at rpm	450/1600-5300	450/1600-5300
0-62mph acceleration, seconds	4.6	4.7
Top speed ² , mph	155*	155*
CO ₂ emissions ² , g/km	214	221
Benefit in kind (BIK)%	30%	33%
Fuel consumption, mpg (l/100km) Urban	21.5 (13.1)	21.2 (13.3)
Fuel consumption, mpg (l/100km) Extra Urban	41.0 (6.9)	39.2 (7.2)
Fuel consumption, mpg (l/100km) Combined	31.0 (9.2)	29.7 (9.5)
ABI insurance group ³ 1-20/1-50	20/40 E	20/41 E
Unladen weight ⁴ , kg	1450	1510
Gross weight limit, kg	1850	1830
Roof/Boot lid load limit, kg	75	20
Luggage compartment capacity, rear seats upright, litres	290	290
Luggage compartment capacity, rear seats folded, litres	700	-
Fuel tank capacity approx, litres	60	60

*Highest insurance group rating shown. Group may be lower dependent on trim level. Please visit www.thatcham.org/abigroupratings for details.

¹Electrically limited. Please see page 28 for option to increase limit.

²The given value was obtained in accordance with the specified measurement procedure (the respective current version of the Directive 80/1269/EEC).

³The given values were calculated in accordance with the specified measurement procedure (the respective current version of Directive 80/1268/EEC). This information does not relate to a single vehicle and does not comprise part of the offer but is merely intended for the purpose of comparison between the different vehicle types.

⁴Regulated.

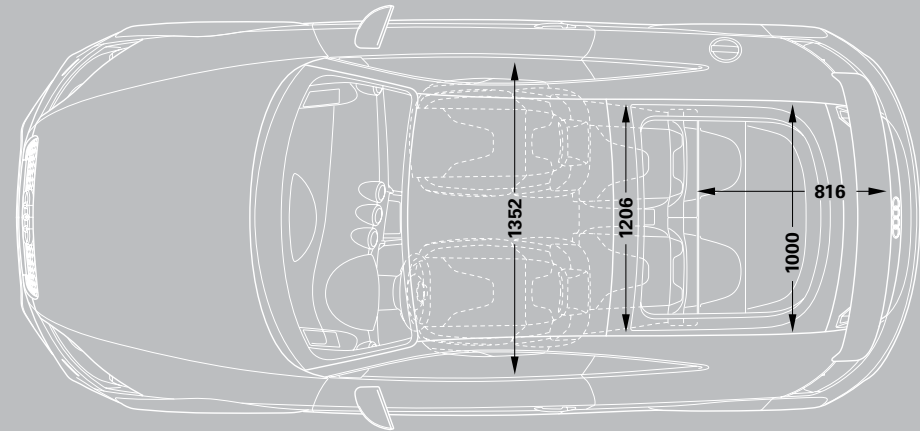
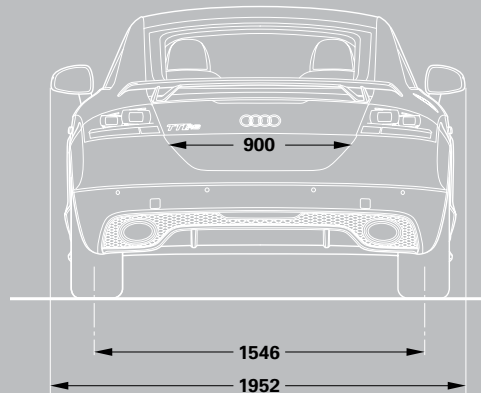
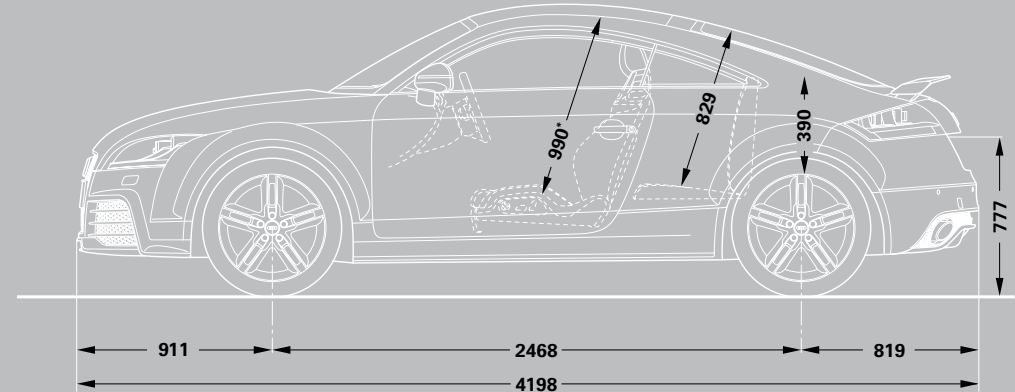
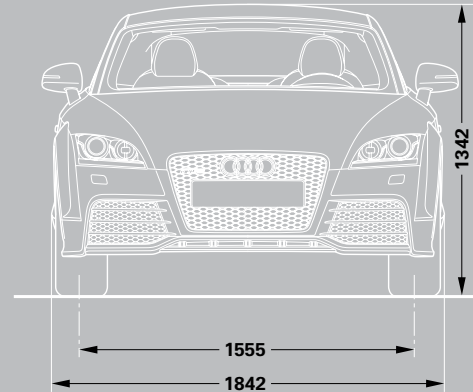
⁵Vehicle's unladen weight without driver (calculated in accordance with the current version of Directive 80/1268/EEC). The fitting of additional equipment may increase the vehicle's unladen weight and drag coefficient, whereupon the potential carrying capacity and top speed will be correspondingly reduced.

Please note: The maximum power output figures are quoted in PS (or Pferdestärke, which is the metric equivalent of brake horsepower). To convert to brake horsepower, divide the PS figure by 1.0139.



TT RS Coupé dimensions

The technical drawings opposite show the exact dimensions of the TT RS Coupé, so you can check everything - from whether the car will fit in your garage to whether your luggage will fit in the boot.



Dimensions were measured with vehicle at unladen weight.

Turning circle approx 10.7m.

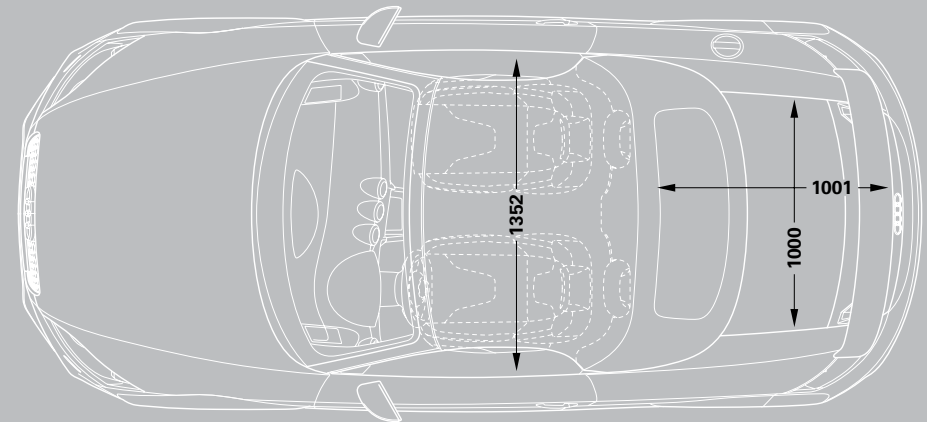
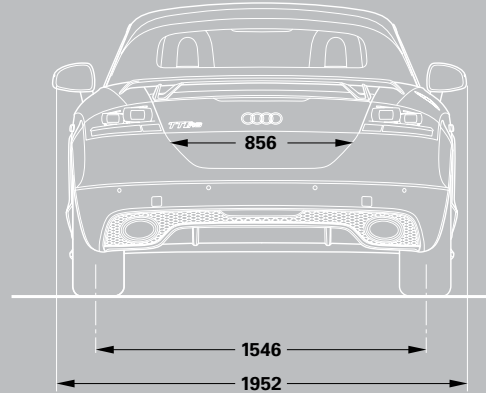
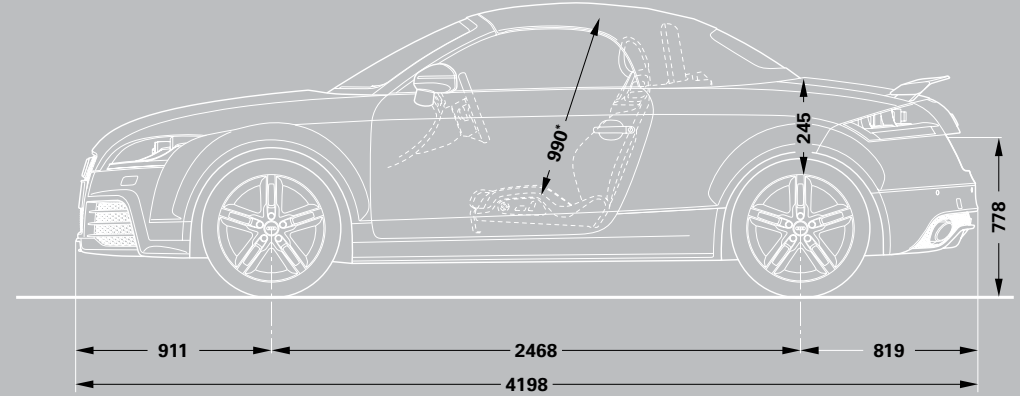
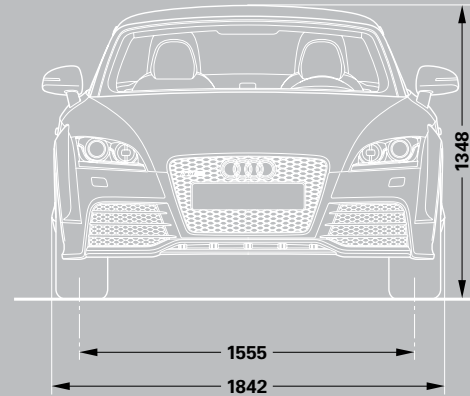
Dimensions in millimetres.

*Maximum headroom.

Roof load limit/nose weight 75kg.

TT RS Roadster dimensions

Look at the technical drawings opposite to see the exact dimensions of the TT RS Roadster, so you can check everything – from whether the car will fit in your garage to whether your luggage will fit in the boot.



Dimensions were measured with vehicle at unladen weight.

Turning circle approx 10.7m.

Dimensions in millimetres.

*Maximum headroom.

Roof load limit/nose weight 75kg.

Additional information

CO₂ data and information

CO₂ emissions-based Vehicle Excise Duty

Vehicle Excise Duty (Road Fund Licence) is based upon the amount of Carbon Dioxide (CO₂) a vehicle emits, measured in grams per kilometre (g/km). The DVLA has created thirteen categories:

Petrol and Diesel engines

A - up to 100g/km	£0.00
B - 101 to 110g/km	£0.00
C - 111 to 120g/km	£0.00
D - 121 to 130g/km	£0.00
E - 131 to 140g/km	£110.00
F - 141 to 150g/km	£125.00
G - 151 to 165g/km	£155.00
H - 166 to 175g/km	£250.00
I - 176 to 185g/km	£300.00
J - 186 to 200g/km	£425.00
K - 201 to 225g/km	£550.00
L - 226 to 255g/km	£750.00
M - over 255g/km	£950.00

Vehicle Excise Duty (VED) rates correct at time of going to print, but these may alter to reflect any change in the applicable VED rate

Servicing tailored to your needs

Regular servicing is key to safeguarding your Audi's performance and a full Audi service history could help you preserve the future re-sale value. To make servicing easy, the Audi Service Schedules have been designed to work with your individual driving style and vehicle.

There are two schedules available and your Audi Centre will advise which schedule is most suited to your needs. The conventional fixed Audi Inspection Service schedule has fixed intervals for the Oil-change and Inspection Service that are based on time

and distance, whichever comes first. With the Audi LongLife Service schedule, sensors take account of driving style and conditions in which the vehicle is used to indicate when the Oil-change Service is required. Oil-change Service intervals are therefore variable and are conveniently indicated via the on-board service interval display.

Fixed Inspection Service Schedule

	Vehicle usage:
Mileage	Less than 10,000 miles per annum
Type of journey	Mainly city/town centre driving. Short journeys
Conditions	Frequent cold starts. High engine loading – e.g. frequent hill climbs, vehicle fully loaded, towing
Driving style	Uneconomical – e.g. heavy acceleration, heavy braking, constant changes in speed, constant use of high revs, 'sporty' driving
	Service Intervals:
Oil-change Service	Fixed to every 9,000* miles/1 year
Inspection Service	Fixed to every 19,000* miles/2 years

Variable LongLife Service Schedule

	Vehicle usage:
Mileage	More than 10,000 miles per annum
Type of journey	Motorway and main road driving. Mainly longer distance journeys. Constant speeds
Conditions	Normal engine loading – e.g. with little or no towing, with little or no hill climbs. Normal vehicle loading
Driving style	Moderate acceleration, moderate braking, engine revs mainly below 3,000
	Service Intervals:
Oil-change Service	Variable to a maximum of every 19,000* miles/2 years
Inspection Service	Fixed to every 19,000* miles/2 years

*As indicated by the service interval display. Mileages are approximate as the Service Indicator system uses kilometres as its distance measurement.

Additional information

Welcome to Audi

By placing an order for your Audi, you're choosing to get behind the wheel of one of the most sophisticated cars on the road. And because we believe the service we offer should be just as advanced, we wanted to let you know exactly what you can expect from us, now and in the future.

We've agreed a set of standards with all our Centres, which governs the way we do business with you. It outlines the kind of service we promise to deliver for every customer, right down to filling each new Audi we sell with half a tank of fuel.

So whether you're interested in the date your car will arrive in the UK or the way we'll dispose of non-biodegradable materials after we service your Audi, you can have total confidence in us.

Audi Promise

Audi Centres

We guarantee that all of our Centres will be open as follows;

Sales: Monday to Friday 9am–6pm
Saturday 9am–5pm

Service: Monday to Friday 8am–6pm
Saturday 8.30am–1pm

Sunday opening is at local discretion.

New car delivery

Once we've confirmed a delivery date for your car, we'll keep you informed of progress. Subject to reasonable notice, we'll then deliver it to a place of your choice, whether that's your home or place of work. In the unlikely event of a delay, we'll provide a courtesy car to minimise inconvenience and keep you mobile.

The experts in Vorsprung durch Technik

Would you entrust your Audi to anyone who hasn't been regularly trained to Audi standards? Our network of Audi Approved Master Technicians have undergone an impressive 100,000 hours of training over a 10-year programme to ensure they have the latest technical expertise for maintaining and servicing your Audi. All of our Service Advisors undergo a specialist induction and training to ensure they are Audi professionals and able to talk to you about any issues you may have with your Audi vehicle. What's more, we have so much expertise and experience in looking after Audi vehicles that we are able to make a note of your mileage and the state of your vehicle as and when we see it and predict when certain key events may occur.

As part of our commitment to you, we will notify you in plenty of time so you can make an appointment with us.

Your convenience comes first

At Audi you can choose from a range of convenient services that suit your needs. Why not book a 'service while you wait' appointment* and enjoy our complimentary refreshments while your car is with us? Or, if you need to be mobile, take advantage of one of our courtesy cars which we can even collect and deliver to you.* We guarantee we can service your Audi within 5 days without a courtesy car, or within 10 days if you need transport. We will also ensure your car is returned to you with a full valet.

Audi Genuine Parts

Would you put a part into your Audi that wasn't the same quality as the factory fitted original? You can rest assured that only Audi Genuine Parts will be used on your vehicle. What's more, Audi parts and labour come with a 2-year guarantee.** We stock a wide variety of parts, so we are well covered. However, if we don't have a part in stock at our Centre we have the back-up of parts at other Audi Centres, at our national warehouse and our factory and can usually source the relevant part very quickly.

We don't like surprises either

We believe strongly in transparency and there will be no hidden costs. For added peace of mind, we will give you a quotation over the phone for the work you have requested and email you the price confirmation. We'll consult you if any additional work on your car is needed when it is with us. We won't carry out any extra work without asking your permission first.

The Audi Stamp

Regular servicing is key to safeguarding your Audi's performance and a full Audi service history could help you preserve the future re-sale value of your car. Only the Audi Stamp will prove your approved Audi service history.

Getting better every time

Audi continually gather feedback from our highly trained Technicians and our customers to ensure our vehicles are running as they should. If necessary, we use this feedback to make improvements (in the form of software updates) to help maintain the durability, performance, efficiency and safety you would expect from our cars. These updates will also ensure certain retrofitted products are correctly installed and function correctly (tow bar fitting changes the torque characteristics of your engine, for example). We ensure these are loaded onto your vehicle each and every time it's in our workshop.

Environmental commitment

We promise to dispose of all non-biodegradable materials from your vehicle in a responsible manner

*Subject to availability.

**Excludes wear and tear.

Pricing information

Pricing

Prices and specifications given are correct at the time of printing. Always check details with your Audi Centre, as Audi policies are continually developing. We reserve the right to change prices or specifications at any time.

All prices are subject to VAT, currently charged at 17.5% but this may alter to reflect any change in the applicable VAT rate.

Delivery charges and number plates are not included in the vehicle price.

Delivery charge	£473.62
Number plate	£20.00
VAT	£86.38
Total	£580.00

Audi Roadside Assistance

Your new car comes complete with 3 years' complimentary roadside assistance and recovery across the UK provided by RAC Motoring Services. Also included is roadside assistance throughout Europe, managed by RAC Motoring Services.

For further information and terms and conditions please visit audi.co.uk

Audi Customer Care

Every new Audi benefits from the comprehensive Audi Customer Care Package, which comprises:

- ▶ A 3-year Audi warranty, which covers you for unlimited mileage in the first 2 years of ownership, with a full mechanical and electrical warranty which covers you for up to 60,000 miles in the 3rd year
- ▶ A 3-year paint warranty
- ▶ A 12-year anti-corrosion warranty
- ▶ 3 years' UK roadside assistance and recovery

This package, together with Audi variable service intervals, offers a combination unmatched by any other major manufacturer.

When you order your new car you can also choose to extend your Audi warranty to the lesser of: 4 years/75,000 miles or 5 years/90,000 miles. With full Audi warranty cover for up to 5 years, you'll be protected against unexpected repairs and should you sell your Audi before the warranty has expired it is fully transferable to subsequent owners.

Contact your Audi Centre for full details.

Audi Tax-Free Sales

If you are entitled to purchase a vehicle free of VAT, normally through Military or Diplomatic privilege, please contact your local Audi Centre for full details.

Should you have any difficulty obtaining the information you require, please call Freephone 0800 585878.

Audi Finance

Audi Finance specialise in providing funding solutions for Audi drivers. Whether your Audi is for private or business use, there are a range of funding options to choose from.

Below is the full range of finance products.

- ▶ Solutions – a Personal Contract Plan
- ▶ Hire purchase
- ▶ Lease purchase
- ▶ Finance lease
- ▶ Contract hire

With all products, you can choose a fixed-cost maintenance plan designed to help you budget accurately.

No matter what Audi model you choose, your local Audi Centre can provide you with a personalised quote which could fit your budget and motoring needs.

Audi Finance is a trading name of Volkswagen Financial Services (UK) Limited. An offer of finance depends on certain conditions. Available to people over 18 in the UK only.

Audi Insurance

We want you to start enjoying your new car from day one and thanks to Audi Insurance complimentary seven day cover, you can. Call free on 0800 316 7893 (lines are open Monday to Friday 8am - 9pm, and Saturday 9am - 5pm), provide a few details and a cover note will be sent to your Audi Centre. They will then tax your car and you can drive it away.

Audi Insurance is a trading name of Volkswagen Insurance Service (Great Britain) Limited, an appointed representative of Volkswagen Financial Services (UK) Limited, Brunswick Court, Yeomans Drive, Blakelands, Milton Keynes MK14 5LR. Registered in England number 2835230. Audi Insurance is sold, underwritten and administered by Allianz Insurance plc registered in England number 84638. Registered office 57 Ladymead, Guildford, Surrey GU1 1DB. Volkswagen Financial Services (UK) Limited and Allianz Insurance plc are authorised and regulated by the Financial Services Authority. Volkswagen Financial Services (UK) Limited and Allianz Insurance plc are not part of the same corporate group.

Audi UK

Customer Services
Selectapost 29
Sheffield
S97 3FG
0800 699888
audi.co.uk

Specifications and prices subject
to change without notice.

© Audi (UK)

Printed in the UK
Edition 3.0 05/10
2011 model year

Images are for illustrative purposes only.



Mixed Sources
Product group from well-managed
forests and other controlled sources

Cert no. TT-COC-002327
www.fsc.org
© 1996 Forest Stewardship Council