



The Audi A4, A4 allroad and S4

Pricing and Specification Guide

Valid from April 2014

Personalising your Audi A4

This guide has been designed to help you tailor and price your Audi A4 quickly and logically. At the back, you will find information on CO2 emissions-based taxation and the other services offered by Audi, including Finance and Insurance. You can also configure your Audi A4 online at audi.co.uk

Audi Vision

To accompany this printed guide, we've created Audi Vision – an intuitive app that lets you find out even more about the Audi A4. Compatible with Apple and Android phones and tablets, Audi Vision gives you exclusive access to images, information and video content – all of which is designed to help you explore and understand the options available with this model.

You'll see the Audi Vision logo printed next to the page number on pages throughout this guide and wherever you do, you'll be able to view additional content on that page.



The Audi A4

Engines	12
Transmissions	13
Efficiency	14
quattro®	16

Model details and prices

SE model equipment	20
SE Technik model equipment	22
S line model equipment	24
Black Edition model equipment	26
A4 allroad model equipment	28
S4 model equipment	30
S4 Black Edition model equipment	32
Model prices	34

Audi exclusive	38
-----------------------	----

Colour and upholstery

Paint	42
Upholstery	46
Seats	54
Colour and trim guide	56

Inlays	62
---------------	----

Options

Wheels, tyres and suspension	66
Packages	70
Audio and communication	72
Interior equipment	74
Exterior equipment	76
Safety and security	78
Steering wheels	79

Looking after your Audi

Audi Complete and Warranty	80
Accessories	83
Merchandise	84
Audi Difference	85

Technical details

Technical data	86
Dimensions	93
Pricing and Additional information	98





Vorsprung durch Technik

Three words that express the very essence of Audi. Vorsprung durch Technik isn't a slogan. It's our way of seeing the world. It is the driving force behind our history of innovation that continues into the 21st century. Indeed, many technologies that Audi pioneered remain in our cars today. Some are milestones in the history of the motorcar.

From our beginnings in 1899, to the Auto Union team's Grand Prix successes in the 1930s and our more recent wins at Le Mans, we have always been at the forefront of the motor industry.

Vorsprung durch Technik makes us who we are. To see more of its influence, just read on.





The Audi A4

Driving just got more personal. We've developed a range of technologies for the Audi A4 to give you exceptional precision and efficiency on every journey. But you'll also find great design quality, for a crisper and more focused look and feel both inside and out. Just as forward-thinking is the wide choice of engines – from the 1.8 TFSI to the 3.0 TDI quattro, enabling you to find the engine that's right for you and your needs.









A4 interior story

We've introduced a number of finishing touches to the Audi A4 interior to make your driving experience both comfortable and unique. You'll find an impressive attention to detail in everything from the colour Driver's Information System to our optional luxurious leather upholstery, which means that every journey you make will be a personal one.

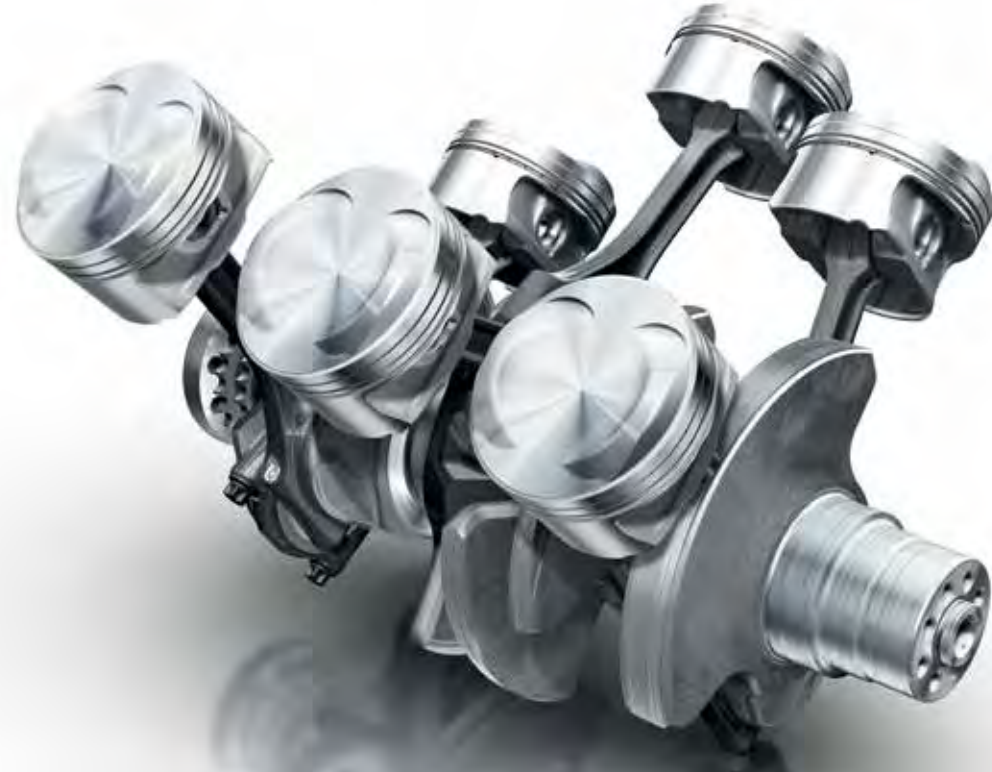
Engines

Petrol

FSI® direct-injection technology is a unique Audi innovation that was originally developed for the Le Mans 24-hour endurance race to deliver more power and torque, as well as enhanced fuel efficiency. Precisely the right amount of fuel and air are injected into the combustion chambers, enabling the engine to 'breathe' more easily. It results in reduced heat loss and increased output, with around a 15% reduction in fuel consumption and significantly lower exhaust emissions. We've also developed TFSI®, with either turbocharging or supercharging, which combines FSI® technology with forced induction – giving cars an extra injection of power.

Diesel

We introduced TDI® to the roads in 1989, and since then, we've continuously refined it, including developing common-rail technology. Under this system, a series of piezo injectors use electrical charge to precisely control the amount of fuel injected into the engine. As well as reducing noise, this allows combustion to happen at a lower temperature, with less oxygen, which lowers emissions.





Transmissions

multitronic®

Translating a driver's preferences and intentions into road performance, the multitronic® transmission system entertains no compromises – whether in terms of dynamism, convenience or economy. multitronic® automatic transmission is available on models without quattro® permanent all-wheel-drive. A continuously variable transmission, multitronic® can transmit up to 380 Nm of torque and permits an exceptionally wide range of gear ratios. The result is smooth, powerful acceleration and a high level of driving comfort. And thanks to its lightweight design and a number of advanced electronic control systems that monitor gradient, road conditions and the way the driver is using the accelerator pedal, multitronic® also plays an instrumental role in reducing fuel consumption.

S tronic®

Driving is all about thinking ahead, which is just what the S tronic® dual-clutch transmission does. It works almost as two separate systems, one engaging the odd-numbered and the other the even-numbered gears. So when you're accelerating in second, it has third gear waiting for you. And once you make the switch, it's already thinking about fourth. With two clutches working together, you can change gears almost instantly while experiencing smooth, uninterrupted power.

Efficiency

At Audi, doing less is something we're trying to do more of. We're working to use less fuel, release less CO₂ and waste less energy. It's why we've incorporated a number of more efficient technologies into the Audi A4.

Recuperation

When a vehicle brakes, the discs convert the kinetic energy into thermal energy, which is wasted as it cannot be used. With a recuperation system, like the one in the Audi A4, the kinetic energy is converted into useful electrical energy. The way it works is simple. While the car is coasting or braking, the alternator voltage is raised above the level of the basic electrical system, which enables the alternator to generate electrical energy and store it temporarily in the battery. When the vehicle accelerates, this energy is used to relieve the load on the alternator, resulting in a fuel saving of up to 3%.

Automatic Start-Stop function

In heavy traffic, your car still uses fuel and releases CO₂, even when it's stationary. The automatic Start-Stop function counteracts this problem by switching off the engine when your car comes to a standstill. As soon as you touch the clutch, the car restarts. In conjunction with TDI® and TFSI®, it helps save up to 0.4 litres of fuel every 100km.





Audi ultra

Audi ultra brings together specialist Audi knowledge and the latest innovations to create our most optimised models yet. As a result the Audi A4 ultra delivers the lowest CO₂ emissions and fuel consumption in the A4 range.

Efficiency programmes

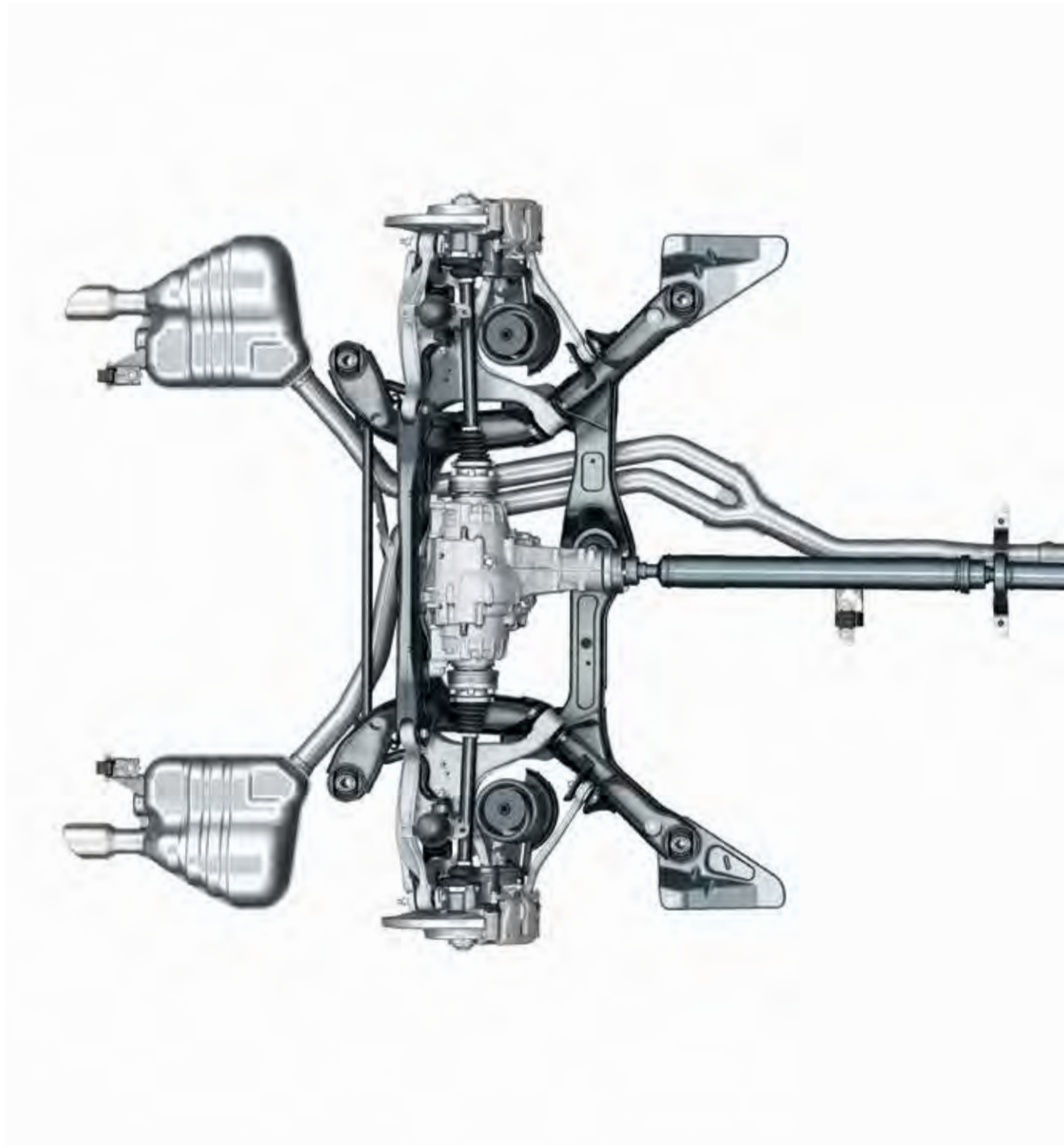
The Driver's Information System in the Audi A4 comes with an innovative efficiency programme as standard which offers advice on improving fuel economy as you drive. It also shows you which items in your car are using energy, and how much, so you can make an informed choice about which ones to switch off. Through the optional Audi drive select system, you can choose a new efficiency setting which helps you drive even more economically.

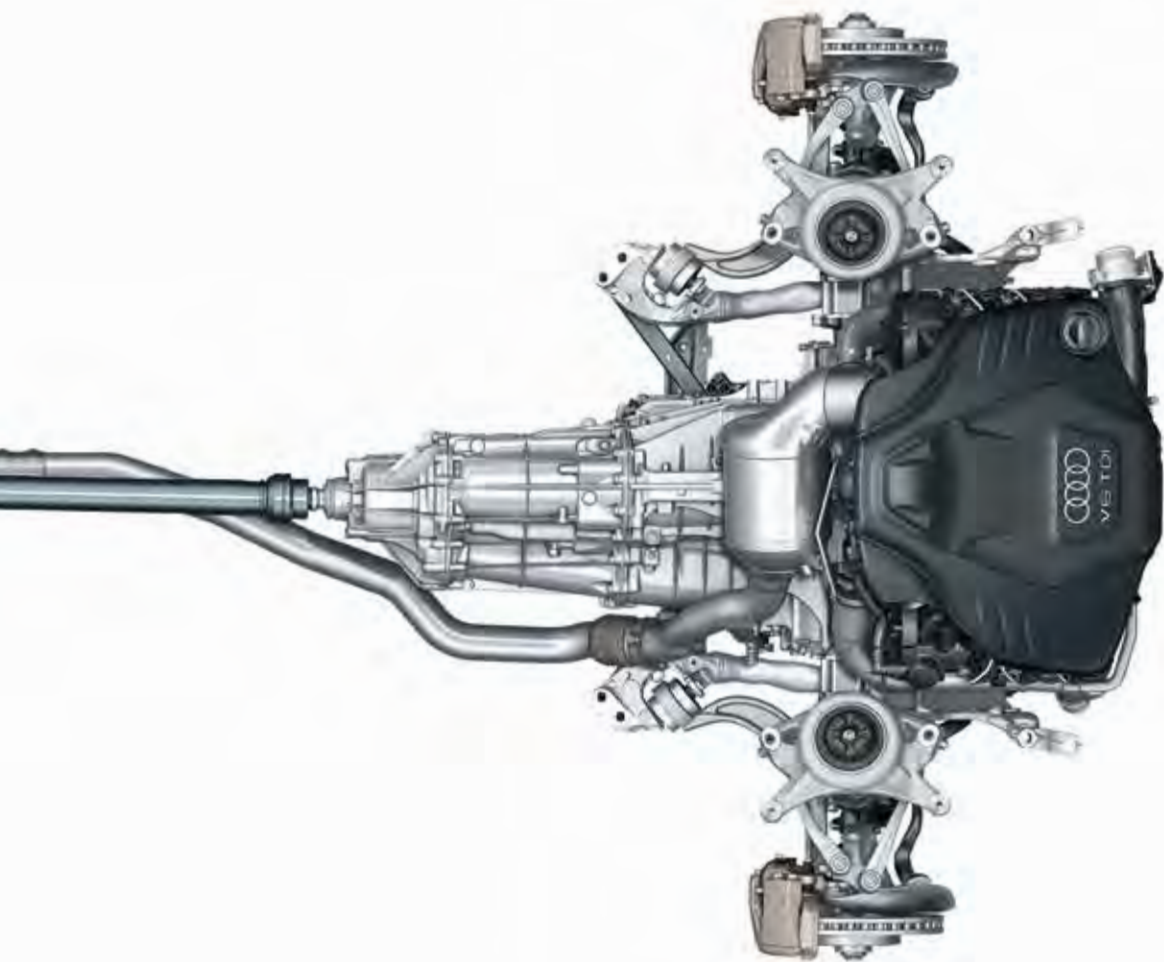
Aerodynamics

A car's shape can have a significant effect on its efficiency. It's why we've worked to make the Audi A4 as aerodynamic as possible.

quattro®

It's the technology that has given Audi the edge on the rally circuit ever since it was first introduced over 30 years ago – a technology that delivers ultimate control whilst enhancing the sporty characteristics which make the Audi A4 so thrilling to drive. It's called quattro® permanent all-wheel-drive. The principle is simple: in the same way that four brakes ensure better deceleration, four permanently-driven wheels deliver better acceleration and road-holding, pushing or pulling the car as needed, for a driving experience that's both dynamic and safe.





In the Audi A4, asymmetric dynamic torque distribution continuously distributes drive power between the front and rear axles depending on weather conditions, road surface and gradient, which increases flexibility for an enhanced, sportier drive.

quattro® with Sports differential

The optional electronically regulated Sports differential distributes variable amounts of drive force to each rear wheel, ensuring outstanding acceleration performance in corners and stabilising the vehicle's response to load change. It also brings better direct steering characteristics and, as it requires less steering effort, more agile handling.





SE model equipment

All A4 models have the following items of standard equipment

Engine

Automatic Start-Stop function for greater fuel and CO₂ efficiency

Misfuelling inhibition for diesel engines

Recuperation for optimal energy utilisation

Wheels, tyres and suspension

17" x 7.5J '5-spoke' design alloy wheels with 225/50 R17 tyres and locking wheel bolts. TDIe and TDI ultra models feature low rolling resistance tyres

Space-saver spare wheel (not on Saloon TDIe 136PS models)

Sports suspension lowered by 20mm (TDIe 136PS and TDI ultra models only)

Tyre repair kit (Saloon TDIe 136PS models only)

Seats

Cosinus cloth seats with manual height adjustment

Split-folding rear seats. Can be split and folded 40:60 or fully

Audio and communication

Audi sound system speaker package, 10 speakers including subwoofer (180 watts)

Concert radio which includes:

- Single CD drive and SDHC memory card reader which are both MP3, WMA and AAC compatible
- 6.5" colour centre display with MMI operating logic
- AUX-IN connection
- TP memo – automatically saves traffic news when driving

DAB digital radio reception – receives programmes from digital radio transmitters in addition to the range of analogue stations with better sound quality. When combined with a navigation system, a second DAB twin tuner permanently searches for alternative reception frequencies of the set station, and the station list is updated at the same time. Please note: reception depends on local digital network availability. When combined with a Technology package (WB7 or PCB) it is also capable of receiving DAB+ and DMB audio signals

Bluetooth interface for hands-free mobile phone connectivity. Includes voice control for telephone functions

Safety and security

Airbag system for driver, front passenger, front side and head airbag with front passenger airbag deactivation switch

Rest recommendation system – analyses driving behaviour based on steering, pedals and gear lever movements. If the system detects a change in driving patterns it can, via audio and visual effects, notify the driver of the possible need to take a rest

Car jack (not on Saloon TDIe 136PS models)

ESP including limited-slip differential on front-wheel-drive models

First aid kit

Front and rear fog lights

ISOFIX Child seat mounting – for front passenger (with airbag deactivation) and outer rear seats. Including Top Tether attachment point for the outer rear seats

Light and rain sensor – automatically switches the dipped beam headlights and windscreen wipers on/off depending on the light and rain conditions. Also includes coming home/leaving home function which delays the deactivation of the front and rear lights after locking and automatic activation of the lights when unlocking



Colour Driver's Information System (DIS), with rest recommendation



17" x 7.5J '5-spoke' design alloy wheels

Rear parking sensors – facilitate parking by acoustically indicating the distance to obstacles; measurement is by ultrasonic sensors integrated discreetly into the bumper

Thatcham category 1 alarm and immobiliser

Toolkit

Warning triangle

Interior equipment

3-zone climate control with separate air distribution and digital display for driver and front passenger. System includes air-conditioning controls in the rear centre console for rear passenger compartment

4-spoke leather multi-function steering wheel adjustable for height and reach

12V power socket in boot (not on TDIe 136PS models)

Acoustic windscreen for reduced outside noise

Aluminium trigon inlays

Auto-dimming rear-view mirror

Cruise control – maintains any speed above 18mph, provided the engine power output and engine braking effect permit it; operated via separate steering column stalk. The set speed is displayed in the Driver's Information System

Door sill trims in Aluminium optic

Colour Driver's Information System with energy-saving tips and rest recommendations. Shows the radio station or track title, telephone control, menu and other display information from the infotainment system such as navigation (if fitted). Also includes an on-board trip computer with short and long-term trip memory, outside temperature display, digital speedometer and door or boot open warning

Electric front and rear windows

Electromechanical parking brake includes parking brake function when stationary, drive-off assistance function through automatic release when driving away and emergency braking function whilst driving, acting on all 4 wheels

Electromechanical power steering

Front and rear floor mats

Front centre armrest including 12V power socket

Interior chrome package

Rear armrest

Exterior equipment

Auto-opening boot lid (Saloon models only)

Exhaust pipes – 4-cylinder models have twin exhaust pipes on the left hand side. 6-cylinder models and the 2.0 TFSI Avant and allroad models have one exhaust pipe on each side with chrome exhaust trim

Exterior aluminium package

Exterior mirrors – electrically operated and heated

Halogen headlights with electric headlight range control and daytime running lights

Power-operated tailgate – opened by pressing button on the car key, button in the driver's door panel or soft-touch button in the handle recess on the luggage compartment lid. Closed by pressing a button on the inside of the luggage compartment lid. The opening of the luggage compartment lid can be programmed to desired height (Avant models only)

Roof rails in bright finish (Avant models only)

Single frame front radiator grille with Stone grey horizontal bars

Tyre pressure loss indicator – visual and acoustic warning if the pressure drops in one or more tyres



Rear parking sensors



Aluminium trigon inlays

SE Technik model equipment

In addition to SE model equipment

Basic RRP

£833.33

Total RRP inc VAT

£1,000.00

Wheels, tyres and suspension

18" x 8J '10-spoke' Exclusive design alloy wheels (excluding 2.0 TDIe and TDI ultra engines)

TDIe and TDI ultra models feature 17" x 7.5J '5-spoke' design alloy wheels with 225/50 R17 tyres and low rolling resistance tyres

Interior equipment

Milano leather upholstery – includes seats, head restraints, door inserts and front centre armrest in leather

Audio and communication

MMI Navigation system plus. Hard disk navigation with topographical map display, places of interest and town models in 3D, with high-resolution 7" colour TFT display. The system offers three alternative routes, with the ability to scroll along the selected route and manoeuvre within the map. Uses 7-digit postcode recognition. Includes split-screen mode for route information, dynamic route guidance (TMC), intersection zoom function, motorway exits and lane recommendations in Driver's Information System (DIS). Includes 2 SD card readers, single CD/DVD player, 40GB hard drive and Jukebox (20GB) for storing and managing music files in WMA and MP3 format. Includes European navigation data (where digitised)

Additional functionality is available when combined with optional Mobile telephone preparation – High with Audi connect (9ZW). For more details please see option 9ZW, featured in the options section of the guide

Audi Music Interface – connection for use with stereo audio sources, USB and MP3 devices including Apple iPod generation 4 onwards and Apple iPhone

Safety and security

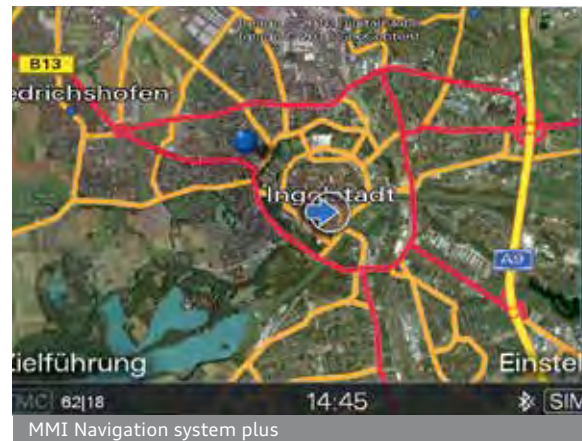
Audi parking system plus – acoustic and visual park assist system for the front and rear with MMI screen display; measurement is by ultrasonic sensors concealed in the bumpers

Exterior equipment

Metallic paint



Audi parking system plus



MMI Navigation system plus



Standard seat in Milano leather upholstery



S line model equipment

In addition to SE model equipment

Basic RRP

£2,129.17

Total RRP inc VAT

£2,555.00

Wheels, tyres and suspension

18" x 8J '5-twin-spoke' design alloy wheels with 245/40 R18 Y tyres

Sports suspension 20mm lower than standard with stiffer spring and damper tuning for more direct contact with the road and sportier handling (S line Sports suspension 30mm lower than standard – available in lieu of Sports suspension at no charge)

Interior equipment

3-spoke S line multi-function steering wheel with paddle shift for automatic models

Black headlining

Front Sports seats including electric lumbar support

Sprint cloth/leather upholstery with S line embossing

Jet grey stitching to upholstery, steering wheel, gear lever gaiter and floor mats

Matt-brushed aluminium inlays

Perforated leather gear knob

S line sill plates

Exterior equipment

Headlight washers for excellent illumination and improved visibility

S line exterior styling package including:

- S line side skirts
- S line front and rear bumpers
- S line diffuser insert in Platinum grey
- S line badges on wings

Rear LED lights

Roof spoiler (Avant models only)

Side radiator grilles in black honeycomb structure

Single frame front radiator grille with high gloss black horizontal bars

Xenon headlights with LED daytime-running lights



Diffuser insert in Platinum grey



Perforated leather gear knob



Xenon headlights



3-spoke multi-function steering wheel



Image shows the A4 Saloon S line model with optional Scuba blue, metallic paint (S9)

Black Edition model equipment

In addition to S line model equipment

Basic RRP

£895.83

Total RRP inc VAT

£1,075.00

Wheels, tyres and suspension

19" x 8.5J '5-arm Rotor' design titanium finish alloy wheels with 255/35 R19 tyres

Audio and communication

Audi Music Interface – connection for use with stereo audio sources, USB and MP3 devices including Apple iPod generation 4 onwards and Apple iPhone

Bang & Olufsen sound system – 14 high-performance speakers and 2 amplifiers which create 505 watts of stunning surround sound, balanced to suit the specific acoustic properties of the car's interior

Safety and security

Audi parking system plus – acoustic and visual park assist system for the front and rear with MMI screen display; measurement is by ultrasonic sensors concealed in the bumpers (Saloon models only)

Exterior equipment

Black styling package – front radiator grille-frame and window surround in high-gloss black, with radiator grille and number plate holder in matt black. Avant models include black roof rails

Privacy glass – dark tinted from B-pillar backwards (Avant models only)

Interior equipment

3-spoke multi-function flat-bottomed steering wheel with paddle shift for automatic models

Piano finish black inlays



Audi Music Interface



Bang & Olufsen sound system



3-spoke multi-function flat-bottomed steering wheel



Image shows the A4 Saloon Black Edition model with optional Misano red, pearl effect paint (N9)

A4 allroad model equipment

In addition to Avant quattro SE model equipment

Basic RRP

£837.50

Total RRP inc VAT

£1,005.00

The A4 allroad quattro combines the assertive look of an off-road vehicle with the elegance of an Avant. With increased body height and a wider wheel track, the A4 allroad quattro makes a powerful impression. And the quality of your ride is also enhanced, using suspension technology developed specifically for the allroad quattro for a reliable and consistent off-road drive. Alongside greater stability, you'll also have outstanding grip in the most demanding conditions thanks to our quattro permanent all-wheel-drive system and ESP off-road detection, both of which come as standard. So whether you're on or off the road, the A4 allroad quattro is just as capable.

Wheels, tyres and suspension

18" x 8J '10-spoke' design alloy wheels with 245/45 R18 tyres

37mm suspension lift over standard A4
Collapsible spare wheel

Off-road detection system – recognises the quality of the ground and adjusts the ESP accordingly

Interior equipment

Door sill trims with allroad quattro logo

Load-area fixing kit – includes load-area rails, telescopic bar and securing belt for dividing up luggage compartment

Reflex finish inlays in Steel grey

Reversible luggage compartment floor mat – can be reversed to provide a rubber mat which extends to cover the entire load area and protect rear bumper

Storage package – comprising storage nets on front seat back-rests, storage compartment under the front seats, drinks holder in the rear centre armrest and a lockable glove compartment

Exterior equipment

A4 allroad single frame grille with vertical chrome bars

Bumpers in contrasting paint finish (please see page 59 for colour guide)

Headlight washers for excellent illumination and improved visibility

High roof rails

Off-road aluminium package – including roof rails, roof frame and window capping strips in aluminium, B-pillar trim and triangular panels on the rear doors in high-gloss black and sill extensions with stainless steel insert

Power-operated tailgate – opened by pressing button on the car key, button in the driver's door panel or soft-touch button in the handle recess on the luggage compartment lid. Closed by pressing a button on the inside of the luggage compartment lid. The opening of the luggage compartment lid can be programmed to desired height

Roof rails in bright finish

Underbody protection in stainless steel

Wheel arch and sill extensions

Seats

Tundra cloth upholstery



Door sill trims with allroad quattro logo



High roof rails



Underbody protection in stainless steel



Image shows the A4 allroad model with optional Moonlight blue, metallic paint (W1)



S4 quattro model equipment

In addition to SE model equipment

One look at its muscular body styling, 18" alloy wheels and subtle S4 badging, and it'll come as no surprise that the Audi S4 features a powerful 3.0-litre V6 supercharged engine, capable of taking you from 0 to 62mph in 5 seconds. And from the comfort and stability of a stylish leather/Alcantara Sports seat, you can sit back and enjoy every single unit of this engine's 333PS capability – not to mention the roadholding of quattro permanent all-wheel-drive.

But sleek styling and powerful performance in the S4 don't come at the expense of functional, driver-oriented specifications. Simple yet thoughtful touches, such as the matt-brushed aluminium inlays, 'S' instrument dials and electric front Sports seats have been included to ensure that your life runs as smoothly as your Audi does.

Wheels, tyres and suspension

18" x 8.5J 'S-double-spoke S' design alloy wheels with 245/40 R18 tyres
'S' sports suspension with stiffer spring and damper tuning for more direct contact with the road and sportier handling

Safety and security

'S' model enhanced braking system

Interior equipment

3-spoke 'S' Sports multi-function steering wheel with aluminium-look paddle shift

Aluminium scuff plates

Interior lighting package – includes front and rear footwell lighting, active door reflectors, illuminated vanity mirrors, rear reading lights, entrance lights and illuminated glove compartment, vents and internal door controls

Inlays in matt-brushed aluminium

'S' instrument cluster

Exterior equipment

4-oval twin tailpipes in chrome finish

Aluminium-effect door mirror housings

Headlight washers for excellent illumination and improved visibility

Integrated boot-lid spoiler (Saloon models only)

LED tail-lights

Painted brake calipers with S4 logo (on front brakes only)

Platinum grey single frame front radiator grille with chrome horizontal bars

Roof spoiler (Avant models only)

'S' front and rear bumpers and side skirt

Xenon headlights with LED daytime-running lights

Seats

Sports seats with electric adjustment and lumbar support

Leather/Alcantara upholstery



Optional S4 Super Sports seats



'S' instrument dial



Oval twin tailpipes in chrome finish



Image shows S4 Saloon model with optional Misano red, pearl effect paint (N9)



S4 quattro Black Edition model equipment

In addition to S4 model equipment

Basic RRP

£895.93

Total RRP inc VAT

£1,075.00

Wheels, tyres and suspension

19" x 8.5J '5-arm Rotor' design titanium finish alloy wheels with 255/35 R19 tyres

Audio and communication

Audi Music Interface provides connection for use with stereo audio sources, USB and MP3 devices including Apple iPod generation 4 onwards and Apple iPhone

Bang & Olufsen sound system provides surround sound reproduction with dynamic compensation for road noise, digital amplifier and 14 high-performance loudspeakers (505 watts)

Safety and security

Audi parking system plus – acoustic and visual park assist system for the front and rear with MMI screen display; measurement is by ultrasonic sensors concealed in the bumpers (Saloon models only)

Exterior equipment

Black styling package – front radiator grille-frame and window surround in high-gloss black, with radiator grille and number plate holder in matt black. Avant models include black roof rails

Privacy glass – dark tinted from B-pillar backwards (Avant models only)

Interior equipment

3-spoke 'S' Sports multi-function flat-bottomed steering wheel with aluminium-look paddle shift

Piano finish black inlays



Audi Music Interface



Bang & Olufsen sound system



S4 badging for S4 quattro and S4 quattro Black Edition



Image shows S4 Avant Black Edition model with optional Floret silver, metallic paint (L5)

A4 Saloon SE

Engines	Power	Transmissions	CO ₂ g/km	Basic RRP	Total RRP inc VAT	Recommended OTR
1.8 TFSI	120PS	6-speed manual	151	£19,633.33	£23,560.00	£24,385.00
1.8 TFSI	170PS	6-speed manual	134	£21,020.83	£25,225.00	£26,000.00
1.8 TFSI	170PS	multitronic	134	£22,254.17	£26,705.00	£27,480.00
2.0 TFSI quattro	225PS	S tronic	155	£25,683.33	£30,820.00	£31,645.00
2.0 TDIe	136PS	6-speed manual	112	£22,212.50	£26,655.00	£27,300.00
2.0 TDI	150PS	multitronic	127	£23,508.33	£28,210.00	£28,855.00
2.0 TDI ultra	163PS	6-speed manual	109	£23,062.50	£27,675.00	£28,320.00
2.0 TDI quattro	177PS	manual	134	£24,254.17	£29,105.00	£29,880.00
2.0 TDI quattro	177PS	S tronic	139	£25,487.50	£30,585.00	£31,360.00
3.0 TDI quattro	245PS	S tronic	149	£28,808.33	£34,570.00	£35,360.00

A4 Saloon SE Technik

Engines	Power	Transmissions	CO ₂ g/km	Basic RRP	Total RRP inc VAT	Recommended OTR
1.8 TFSI	120PS	6-speed manual	151	£20,466.67	£24,560.00	£25,385.00
1.8 TFSI	170PS	6-speed manual	134	£21,854.17	£26,225.00	£27,000.00
1.8 TFSI	170PS	multitronic	134	£23,087.50	£27,705.00	£28,480.00
2.0 TFSI quattro	225PS	S tronic	155	£26,516.67	£31,820.00	£32,645.00
2.0 TDIe	136PS	6-speed manual	112	£23,045.83	£27,655.00	£28,300.00
2.0 TDI	150PS	multitronic	127	£24,341.67	£29,210.00	£29,855.00
2.0 TDI ultra	163PS	6-speed manual	109	£23,895.83	£28,675.00	£29,320.00
2.0 TDI	177PS	6-speed manual	120	£23,895.83	£28,675.00	£29,320.00
2.0 TDI	177PS	multitronic	127	£25,129.17	£30,155.00	£30,800.00
2.0 TDI quattro	177PS	6-speed manual	134	£25,087.50	£30,105.00	£30,880.00
2.0 TDI quattro	177PS	S tronic	139	£26,320.83	£31,585.00	£32,360.00

Please note: The maximum power output figures are quoted in PS (or Pferdestärke, which is the metric equivalent of brake horsepower). To convert to brake horsepower, divide the PS figure by 1.0139.

Recommended On-The-Road (OTR) retail prices include: delivery charge, half a tank of fuel, number plates at £590.00 (inc. VAT), Road Fund Licence (which may vary depending on model/transmission – see page 99 for details) and first registration fee at £55.00. Vehicle Excise Duty correct at time of going to print, but this may alter to reflect any change in the applicable VED rate.

RRP – Recommended Retail Price. VAT is calculated at 20% but this may alter to reflect any change in the applicable VAT rate.

A4 Avant SE

Engines	Power	Transmissions	CO ₂ g/km	Basic RRP	Total RRP inc VAT	Recommended OTR
1.8 TFSI	120PS	6-speed manual	154	£20,716.67	£24,860.00	£25,685.00
1.8 TFSI	170PS	6-speed manual	141	£22,104.17	£26,525.00	£27,315.00
1.8 TFSI	170PS	multitronic	139	£23,337.50	£28,005.00	£28,780.00
2.0 TFSI quattro	225PS	S tronic	159	£26,766.67	£32,120.00	£32,945.00
2.0 TDIe	136PS	6-speed manual	116	£23,295.83	£27,955.00	£28,600.00
2.0 TDI	150PS	multitronic	129	£24,591.67	£29,510.00	£30,155.00
2.0 TDI ultra	163PS	6-speed manual	114	£24,145.83	£28,975.00	£29,620.00
2.0 TDI quattro	177PS	6-speed manual	139	£25,337.50	£30,405.00	£31,180.00
2.0 TDI quattro	177PS	S tronic	144	£26,570.83	£31,885.00	£32,675.00
3.0 TDI quattro	245PS	S tronic	154	£29,891.67	£35,870.00	£36,695.00

A4 Avant SE Technik

Engines	Power	Transmissions	CO ₂ g/km	Basic RRP	Total RRP inc VAT	Recommended OTR
1.8 TFSI	120PS	6-speed manual	154	£21,550.00	£25,860.00	£26,685.00
1.8 TFSI	170PS	6-speed manual	141	£22,937.50	£27,525.00	£28,315.00
1.8 TFSI	170PS	multitronic	139	£24,170.83	£29,005.00	£29,780.00
2.0 TFSI quattro	225PS	S tronic	159	£27,600.00	£33,120.00	£33,945.00
2.0 TDIe	136PS	6-speed manual	116	£24,129.17	£28,955.00	£29,600.00
2.0 TDI	150PS	multitronic	129	£25,425.00	£30,510.00	£31,155.00
2.0 TDI ultra	163PS	6-speed manual	114	£24,979.17	£29,975.00	£30,620.00
2.0 TDI	177PS	6-speed manual	126	£24,979.17	£29,975.00	£30,620.00
2.0 TDI	177PS	multitronic	129	£26,212.50	£31,455.00	£32,100.00
2.0 TDI quattro	177PS	6-speed manual	139	£26,170.83	£31,405.00	£32,180.00
2.0 TDI quattro	177PS	S tronic	144	£27,404.17	£32,885.00	£33,675.00

A4 Saloon S line

Engines	Power	Transmissions	CO ₂ g/km	Basic RRP	Total RRP inc VAT	Recommended OTR
1.8 TFSI	120PS	manual	151	£21,762.50	£26,115.00	£26,940.00
1.8 TFSI	170PS	manual	134	£23,150.00	£27,780.00	£28,555.00
1.8 TFSI	170PS	multitronic	134	£24,383.33	£29,260.00	£30,035.00
2.0 TFSI quattro	225PS	S tronic	155	£27,812.50	£33,375.00	£34,200.00
2.0 TDI	150PS	manual	119	£24,404.17	£29,285.00	£29,930.00
2.0 TDI	150PS	multitronic	127	£25,637.50	£30,765.00	£31,410.00
2.0 TDI	177PS	manual	120	£25,191.67	£30,230.00	£30,875.00
2.0 TDI	177PS	multitronic	127	£26,425.00	£31,710.00	£32,355.00
2.0 TDI quattro	177PS	manual	134	£26,383.33	£31,660.00	£32,435.00
2.0 TDI quattro	177PS	S tronic	139	£27,616.67	£33,140.00	£33,915.00
3.0 TDI quattro	245PS	S tronic	149	£30,937.50	£37,125.00	£37,915.00

A4 Saloon Black Edition

Engines	Power	Transmissions	CO ₂ g/km	Basic RRP	Total RRP inc VAT	Recommended OTR
1.8 TFSI	120PS	manual	151	£22,658.33	£27,190.00	£28,015.00
1.8 TFSI	170PS	manual	134	£24,045.83	£28,855.00	£29,630.00
1.8 TFSI	170PS	multitronic	134	£25,279.17	£30,335.00	£31,110.00
2.0 TFSI quattro	225PS	S tronic	155	£28,708.33	£34,450.00	£35,275.00
2.0 TDI	150PS	manual	119	£25,300.00	£30,360.00	£31,005.00
2.0 TDI	150PS	multitronic	127	£26,533.33	£31,840.00	£32,485.00
2.0 TDI	177PS	manual	120	£26,087.50	£31,305.00	£31,950.00
2.0 TDI	177PS	multitronic	127	£27,320.83	£32,785.00	£33,430.00
2.0 TDI quattro	177PS	manual	134	£27,279.17	£32,735.00	£33,510.00
2.0 TDI quattro	177PS	S tronic	139	£28,512.50	£34,215.00	£34,990.00
3.0 TDI quattro	245PS	S tronic	149	£31,833.33	£38,200.00	£38,990.00

Please note: The maximum power output figures are quoted in PS (or Pferdestärke, which is the metric equivalent of brake horsepower). To convert to brake horsepower, divide the PS figure by 1.0139.

Recommended On-The-Road (OTR) retail prices include: delivery charge, half a tank of fuel, number plates at £590.00 (inc. VAT), Road Fund Licence (which may vary depending on model/transmission – see page 99 for details) and first registration fee at £55.00. Vehicle Excise Duty correct at time of going to print, but this may alter to reflect any change in the applicable VED rate.

RRP – Recommended Retail Price. VAT is calculated at 20% but this may alter to reflect any change in the applicable VAT rate.

A4 Avant S line

Engines	Power	Transmissions	CO ₂ g/km	Basic RRP	Total RRP inc VAT	Recommended OTR
1.8 TFSI	120PS	manual	154	£22,845.83	£27,415.00	£28,240.00
1.8 TFSI	170PS	manual	141	£24,233.33	£29,080.00	£29,870.00
1.8 TFSI	170PS	multitronic	139	£25,466.67	£30,560.00	£31,335.00
2.0 TFSI quattro	225PS	S tronic	159	£28,895.83	£34,675.00	£35,500.00
2.0 TDI	150PS	manual	124	£25,487.50	£30,585.00	£31,230.00
2.0 TDI	150PS	multitronic	129	£26,720.83	£32,065.00	£32,710.00
2.0 TDI	177PS	manual	126	£26,275.00	£31,530.00	£32,175.00
2.0 TDI	177PS	multitronic	129	£27,508.33	£33,010.00	£33,655.00
2.0 TDI quattro	177PS	manual	139	£27,466.67	£32,960.00	£33,735.00
2.0 TDI quattro	177PS	S tronic	144	£28,700.00	£34,440.00	£35,230.00
3.0 TDI quattro	245PS	S tronic	154	£32,020.83	£38,425.00	£39,250.00

A4 Avant Black Edition

Engines	Power	Transmissions	CO ₂ g/km	Basic RRP	Total RRP inc VAT	Recommended OTR
1.8 TFSI	120PS	manual	154	£23,741.67	£28,490.00	£29,315.00
1.8 TFSI	170PS	manual	141	£25,129.17	£30,155.00	£30,945.00
1.8 TFSI	170PS	multitronic	139	£26,362.50	£31,635.00	£32,410.00
2.0 TFSI quattro	225PS	S tronic	159	£29,791.67	£35,750.00	£36,575.00
2.0 TDI	150PS	manual	124	£26,383.33	£31,660.00	£32,305.00
2.0 TDI	150PS	multitronic	129	£27,616.67	£33,140.00	£33,785.00
2.0 TDI	177PS	manual	126	£27,170.83	£32,605.00	£33,250.00
2.0 TDI	177PS	multitronic	129	£28,404.17	£34,085.00	£34,730.00
2.0 TDI quattro	177PS	manual	139	£28,362.50	£34,035.00	£34,810.00
2.0 TDI quattro	177PS	S tronic	144	£29,595.83	£35,515.00	£36,305.00
3.0 TDI quattro	245PS	S tronic	154	£32,916.67	£39,500.00	£40,325.00

A4 allroad

Engines	Power	Transmissions	CO ₂ g/km	Basic RRP	Total RRP inc VAT	Recommended OTR
2.0 TFSI quattro	225PS	S tronic	164	£27,604.17	£33,125.00	£33,950.00
2.0 TDI quattro	177PS	manual	159	£26,175.00	£31,410.00	£32,235.00
2.0 TDI quattro	177PS	S tronic	156	£27,408.33	£32,890.00	£33,715.00
3.0 TDI quattro	245PS	S tronic	161	£30,729.17	£36,875.00	£37,700.00

S4 Saloon

Engine	Power	Transmission	CO ₂ g/km	Basic RRP	Total RRP inc VAT	Recommended OTR
S4 quattro	333PS	S tronic	178	£31,933.33	£38,320.00	£39,310.00

S4 Saloon Black Edition

Engine	Power	Transmission	CO ₂ g/km	Basic RRP	Total RRP inc VAT	Recommended OTR
S4 quattro	333PS	S tronic	178	£32,829.17	£39,395.00	£40,385.00

S4 Avant

Engine	Power	Transmission	CO ₂ g/km	Basic RRP	Total RRP inc VAT	Recommended OTR
S4 quattro	333PS	S tronic	180	£33,016.67	£39,620.00	£40,610.00

S4 Avant Black Edition

Engine	Power	Transmission	CO ₂ g/km	Basic RRP	Total RRP inc VAT	Recommended OTR
S4 quattro	333PS	S tronic	180	£33,912.50	£40,695.00	£41,685.00

Please note: The maximum power output figures are quoted in PS (or Pferdestärke, which is the metric equivalent of brake horsepower). To convert to brake horsepower, divide the PS figure by 1.0139.

Recommended On-The-Road (OTR) retail prices include: delivery charge, half a tank of fuel, number plates at £590.00 (inc. VAT), Road Fund Licence (which may vary depending on model/transmission – see page 99 for details) and first registration fee at £55.00. Vehicle Excise Duty correct at time of going to print, but this may alter to reflect any change in the applicable VED rate.

RRP – Recommended Retail Price. VAT is calculated at 20% but this may alter to reflect any change in the applicable VAT rate.





Audi exclusive

Every Audi is intrinsically exclusive. It's the breathtaking design, the exceptional engineering, the Vorsprung durch Technik. But for that special touch you can specify your Audi A4 with options from Audi exclusive. Whether you want a unique, custom-mixed paint colour or seats in a combination of complementary shades, Audi exclusive will enable you to drive the car you've always imagined.

Both the exclusive and standard options can be found on the following pages.





Audi exclusive line

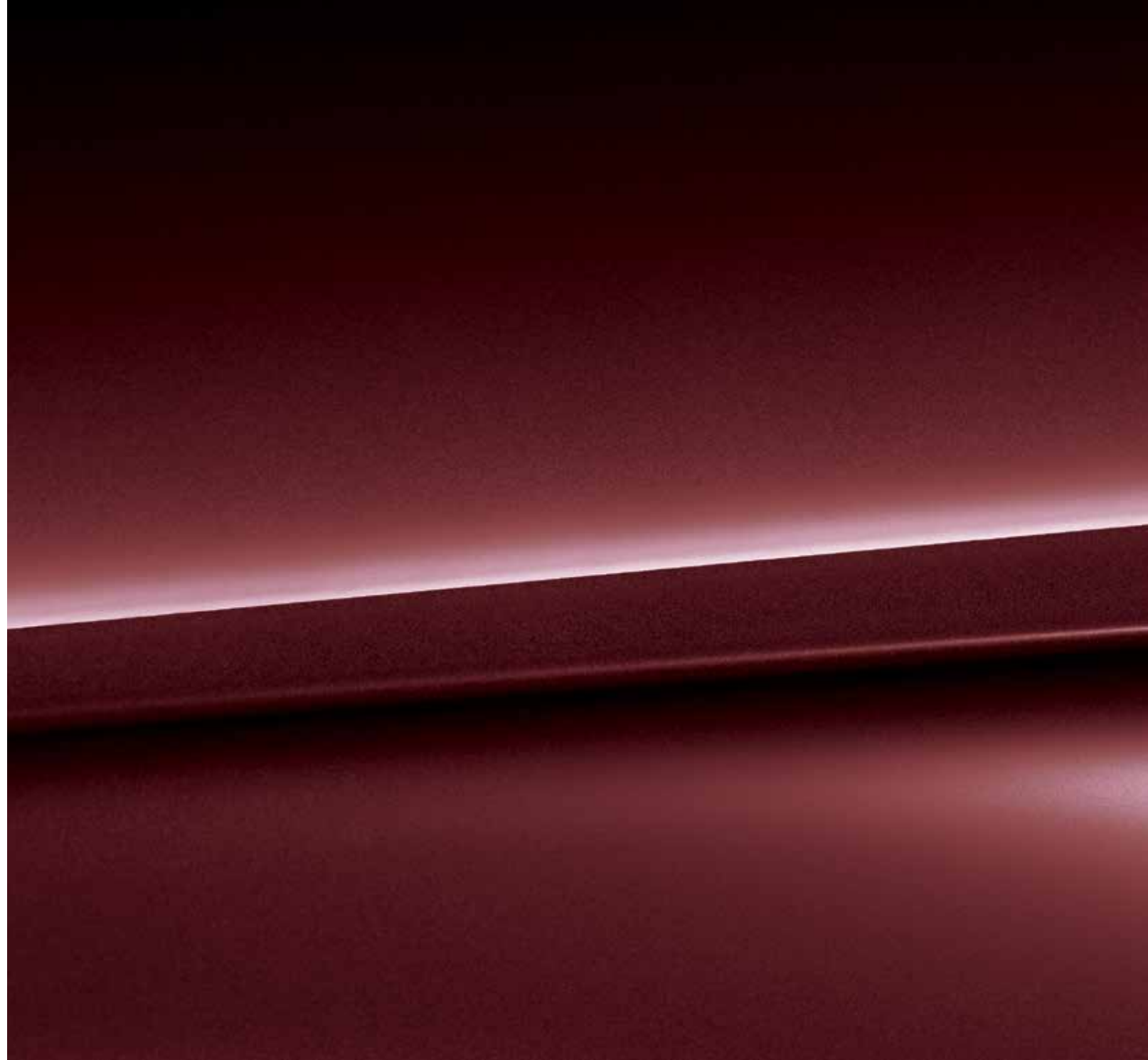
There are a number of ways to customise your car's interior with the Audi exclusive range. And if you'd like us to help you choose, we've put the most popular elements of the range together into one harmonious package – the Audi exclusive line.

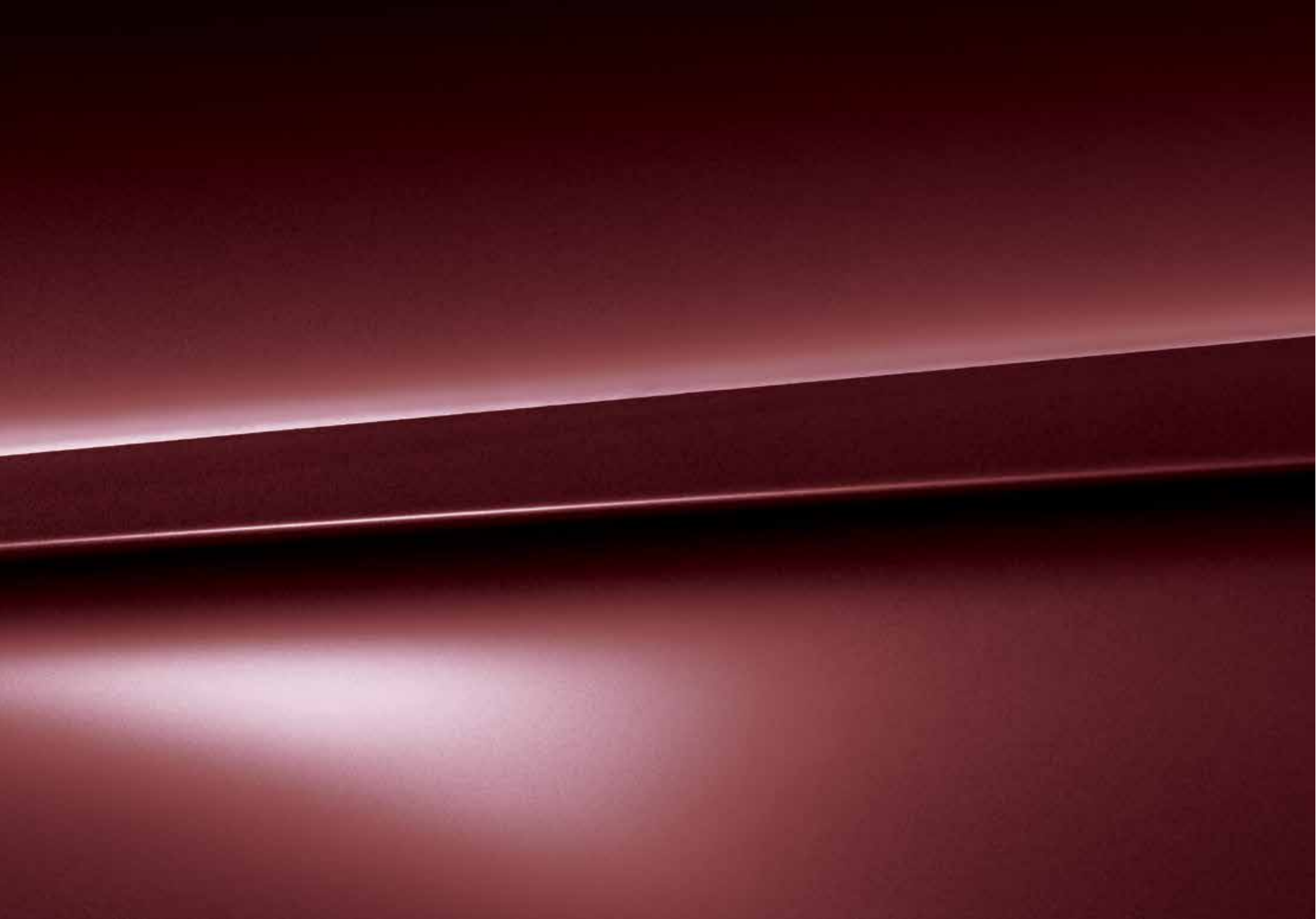
With experience over more than 20 years, our expert designers understand which elements work well together. From high-quality Fine Nappa leather seats to Audi exclusive door sill trims, every detail has been chosen to truly enhance your drive.



Paint

We believe that every part of your car should have a personal touch. Which is why you can choose from a wide range of paint colours and finishes, from standard shades to metallic and pearl effects. We can even mix a customised colour for you to create the perfect fit.





Paint

You can select one of the standard colours shown opposite or, for a different look, choose from a range of optional finishes.

Options are subject to availability and may extend delivery.

*Not available on A4 allroad or S4.

**Not available on S4.

***On SE Technik trim the optional colours have no charge.

All the colour swatches on this page are matched as accurately as possible to the actual paint colours used. However, due to print processes, Audi UK cannot guarantee that colours shown are 100% accurate.

Visit your local Audi Centre for a more accurate colour swatch.

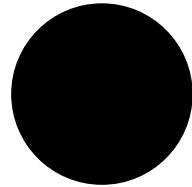
RRP – Recommended Retail Price.

VAT is calculated at 20% but this may alter to reflect any change in the applicable VAT rate.

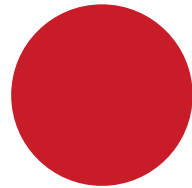
Standard colours



Ibis white – T9

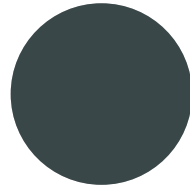


Brilliant black – A2

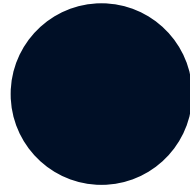


Brilliant red – C8*

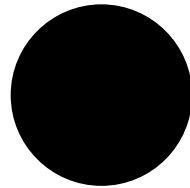
Optional colours



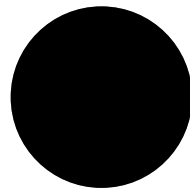
Monsoon grey, metallic – 0C



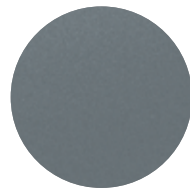
Moonlight blue, metallic – W1



Mythos black, metallic – 0E



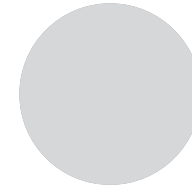
Lava grey, pearl effect – 1R**



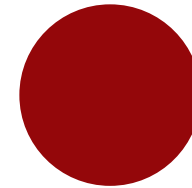
Tornado grey, metallic – Q2



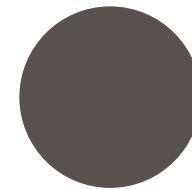
Glacier white, metallic – 2Y



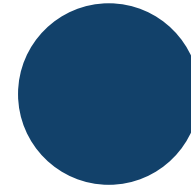
Floret silver, metallic – L5



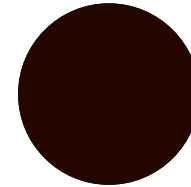
Volcano red, metallic – 1G



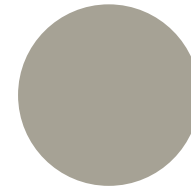
Dakota grey, metallic – Y7**



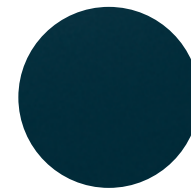
Scuba blue, metallic – S9**



Teak brown, metallic – 4U**

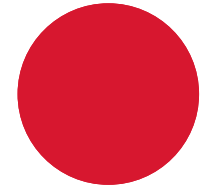


Cuvée silver, metallic – 0D**

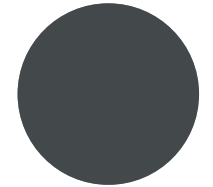


Utopia blue, metallic – D2

S line and Black Edition colours



Misano red, pearl effect – N9



Daytona grey, pearl effect – 6Y

Optional colours***

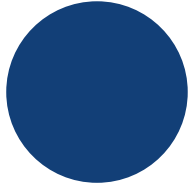
Basic RRP

£512.50

Total RRP inc VAT

£615.00

S4 colours



Sepang blue, pearl effect - E9

Paint

Audi exclusive

Everyone has a favourite colour. No matter what yours is, Audi exclusive provides a range of unique colours that have been designed to set your car apart. Choose from the swatches here, or specify any other paint colour in the Audi range.*

Customised paint

If you have a particular colour in mind, we'll mix the exact metallic or pearl-effect shade you want.**

*Audi exclusive paint is subject to factory approval. Visit your local Audi Centre for colour samples.

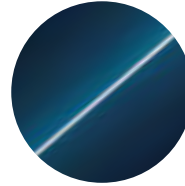
**Customised paint is subject to factory approval, and is available for metallic and pearl-effect water-based paints only. Three-colour process colours and two-tone schemes are not available.

All the colour swatches on this page are matched as accurately as possible to the actual paint colours used. However, due to print processes, Audi UK cannot guarantee that colours shown are 100% accurate.

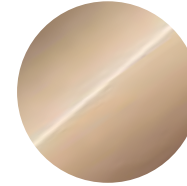
Visit your local Audi Centre for a more accurate colour swatch.

RRP - Recommended Retail Price.

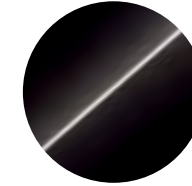
VAT is calculated at 20% but this may alter to reflect any change in the applicable VAT rate.



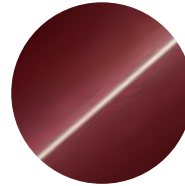
Palace blue, pearl effect



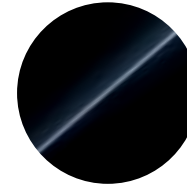
Sand beige, pearl effect



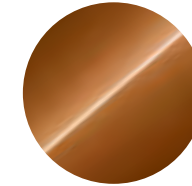
Saddle brown, pearl effect



Classic red, pearl effect



Mamba black, metallic



Ipanema brown, metallic



Any colour in the Audi range or 100 exclusive colours to choose from*



Customised paint**

Audi exclusive*

Basic RRP
£1,762.50

Total RRP inc VAT
£2,115.00

Customised**

Basic RRP
£2,179.17

Total RRP inc VAT
£2,615.00

Upholstery

It's important to feel comfortable on the road. Just choose from our range of luxury upholstery materials and textures, including additional support and colour options, for complete relaxation while you drive.





Upholstery

A4 Standard seats

All leather upholstery choices include seats, head restraints, door inserts and front centre armrest in leather. Fine Nappa leather also includes front and rear door armrests in leather (7HB).

Options are subject to availability and may extend delivery.

- = Not available
• = Available
S = Standard



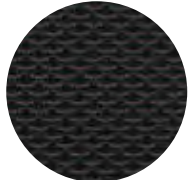
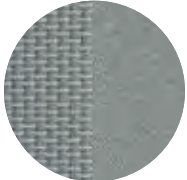
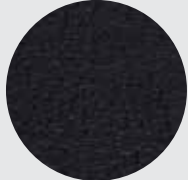





*Not available on A4 allroad.

**Not available on A4 Saloon TDIE 136PS models.

*Not available on A4 Saloon and Avant.

RRP - Recommended Retail Price.

VAT is calculated at 20% but this may alter to reflect any change in the applicable VAT rate.

							SE	SE Technik	S line	A4 Black Edition	A4 allroad	S4 quattro	Basic RRP	Total RRP inc VAT
Cosinus cloth							S	-	-	-	-	-	No charge	No charge
	Black - FZ	Titanium grey - IE												
Tundra cloth							-	-	-	-	S	-	No charge	No charge
	Black - FZ	Titanium grey - IK												
Milano leather							•	S	-	-	•	-	£1,054.17	£1,265.00
	Black - FZ	Titanium grey - IK/IE*	Velvet beige - ID*/IF											
Fine Nappa leather**							•	-	-	-	•	-	£1,400.00	£1,680.00
	Black - FZ	Titanium grey - IK/IE*	Chestnut brown - IH*/VR*				-	•	-	-	-	-	£345.83	£415.00

Upholstery

A4 Sports seats

Leather/Alcantara upholstery choices include head restraints, seat side bolsters and front centre armrest in leather with the seat centres and door inserts in Alcantara. All leather upholstery choices include seats, head restraints, door inserts and front centre armrest in leather. Fine Nappa leather also includes front and rear door armrests in leather (7HB).

Options are subject to availability and may extend delivery.

- = Not available
• = Available
S = Standard

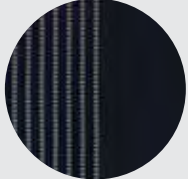

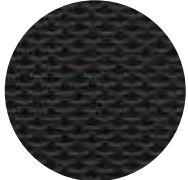
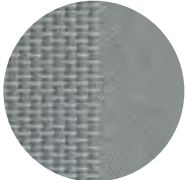

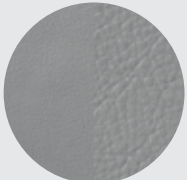

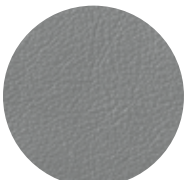





*Not available on A4 allroad.

**Not available on A4 Saloon TDiE 136PS models.

***Not available on A4 Saloon and Avant.

RRP - Recommended Retail Price.

VAT is calculated at 20% but this may alter to reflect any change in the applicable VAT rate.

							SE	SE Technik	S line	A4 Black Edition	A4 allroad	S4 quattro	Basic RRP	Total RRP inc VAT
Atrium cloth							•	•	-	-	-	-	£341.67	£410.00
	Black - FZ	Titanium grey - IE												
Tundra cloth							-	-	-	-	•	-	£341.67	£410.00
	Black - FZ	Titanium grey - IK												
Leather/Alcantara							•	-	-	-	•	-	£1,120.83	£1,345.00
	Black - FZ	Titanium grey - IK/IE*					-	•	-	-	-	-	£341.67	£410.00
Milano leather							•	-	-	-	•	-	£1,395.83	£1,675.00
	Black - FZ	Titanium grey - IK/IE*	Velvet beige - ID*/IF				-	•	-	-	-	-	£341.67	£410.00
Fine Nappa leather**							•	-	-	-	•	-	£1,741.67	£2,090.00
	Black - FZ	Titanium grey - IK/IE*	Velvet beige - ID/IF	Chestnut brown - IH*/VR***			-	•	-	-	-	-	£687.50	£825.00

Upholstery

A4 S line seats

Sprint cloth/leather and leather/Alcantara upholstery choices include head restraints, seat bolsters and front centre armrest in leather with the seat centres and door inserts in cloth or Alcantara respectively.

Fine Nappa leather upholstery includes seat head restraints, door inserts, front and rear door armrests and front centre armrest in leather. All S line upholstery choices have S line embossing in the backrest.




Options are subject to availability and may extend delivery.

- = Not available
• = Available
S = Standard

*Includes front and rear door armrests in Fine Nappa leather (7HB).

RRP - Recommended Retail Price.

VAT is calculated at 20% but this may alter to reflect any change in the applicable VAT rate.

	SE	SE Technik	S line	A4 Black Edition	A4 allroad	S4 quattro	Basic RRP	Total RRP inc VAT
Sprint cloth/leather  Black with grey stitching - QZ	-	-	S	S	-	-	No charge	No charge
Leather/Alcantara  Black with grey stitching - QZ	-	-	•	•	-	-	£404.17	£485.00
Fine Nappa leather*  Black with black stitching - QE	-	-	•	•	-	-	£1,041.67	£1,250.00

Upholstery

A4 Climate Comfort seats (PS8)

Includes seat side bolsters, head restraints, door inserts and front centre armrest in leather with seat centre in perforated leather. Actively ventilated and heated. Electrically adjustable with memory function on driver's side and lumbar support. Also includes folding and auto-dimming door mirrors with memory function. Not available on Saloon TDIe 136PS or Saloon TDI ultra models.

Climate Comfort seats contain all parts of the Convenience Package listed on page 54.

Options are subject to availability and may extend delivery.

- = Not available
 • = Available
 S = Standard

*Not available on A4 allroad.

**Not available on A4 Saloon and Avant.

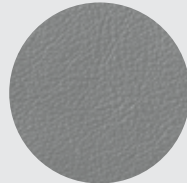
RRP - Recommended Retail Price.

VAT is calculated at 20% but this may alter to reflect any change in the applicable VAT rate.

Milano leather



Black - FZ



Titanium grey - IK/IE*



Chestnut brown - IH*/VR**



Velvet beige - ID*/IF

SE	SE Technik	S line	A4/S4 Black Edition	A4 allroad	S4 quattro	Basic RRP	Total RRP inc VAT
•	-	-	-	•	-	£2,616.67	£3,140.00
-	•	-	-	-	-	£1,562.50	£1,875.00



Standard seat in Black Fine Nappa leather



Sports seat in Black leather/Alcantara



Climate Comfort seat in Velvet beige Milano leather

Upholstery

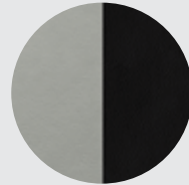
S4 Sports seats

Leather/Alcantara upholstery choices include head restraints, seat side bolsters and front centre armrest in leather with the seat centres and door inserts in Alcantara.

	SE	SE Technik	S line	S4 Black Edition	A4 allroad	S4 quattro	Basic RRP	Total RRP inc VAT
Leather/Alcantara	–	–	–	S	–	S	No charge	No charge



Black - ZM/SX



Lunar silver/Black - SU/SY

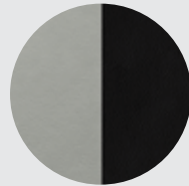
S4 Super Sports seats*

Two-tone leather upholstery with contrast stitching. Includes seats, head restraints, door inserts, front and rear door armrests, and front centre armrest in leather.

	SE	SE Technik	S line	S4 Black Edition	A4 allroad	S4 quattro	Basic RRP	Total RRP inc VAT
Fine Nappa leather	–	–	–	•	–	•	£1,166.67	£1,400.00



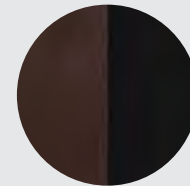
Black - ZM/SX



Lunar silver/Black - SU/SY



Magma red/Black - FA/SZ



Chestnut brown/Black - SV/WY

Options are subject to availability and may extend delivery.

- = Not available
- = Available
- S = Standard

*Must be combined with through-load facility (3X2).

RRP - Recommended Retail Price.

VAT is calculated at 20% but this may alter to reflect any change in the applicable VAT rate.



Seats

Choose from a variety of different seat options so you can maintain the correct driving posture at all times.

Order Code		SE	SE Technik	S line	A4/S4 Black Edition	A4 allroad	S4 quattro	Basic RRP	Total RRP inc VAT
4A3	Heated front seats. Heats the seat cushions and backrest surfaces and can be adjusted in 3 stages for each individual seat via a direct selection button on the air conditioning controls. In combination with Sports seats and leather upholstery, the seat side bolsters are also heated	●	●	●	●	●	●	£250.00	£300.00
4A4	Heated front and rear seats. Individually controlled variable temperature adjustment. Not available with cloth seats. Not available on Saloon TDIe 136PS models	●	●	●	●	●	●	£383.33	£460.00
7P1	Electric lumbar support. For front seats with 4-way horizontal and vertical adjustment. Included with Sports seats	●	●	S	S	●	S	£195.83	£235.00
PV1	Electrically-adjustable front seats. Includes adjustment for height, forwards and backwards position, backrest angle and lumbar support. Not available on Saloon TDIe 136PS or TDI ultra models In combination with Sports seats	●	●	-	-	●	-	£637.50	£765.00
		-	-	●	●	-	S	£441.67	£530.00
PV3 6XL	Convenience package. Comprises electric front seats with memory function on driver's side, electric lumbar support for both front seats, and folding and auto-dimming door mirrors with memory function. Two different positions can be stored, adapting seat longitudinal position, seat height, seat inclinations and backrest angle as well as the exterior mirror settings. The positions are assigned to the corresponding car key, and the system automatically adopts the relevant settings when the car is unlocked via the remote control. Mirrors also include kerb view function which lowers the passenger side mirror for increased visibility whilst reversing. Please note S4 price also applies to S4 Black Edition. Not available on Saloon TDIe 136PS or Saloon TDI ultra models	●	●	-	-	●	-	£1,191.67	£1,430.00
		-	-	●	●	-	-	£995.83	£1,195.00
		-	-	-	-	●	-	£554.17	£665.00

Options are subject to availability and may extend delivery.

- = Not available
● = Available
S = Standard

RRP – Recommended Retail Price.

VAT is calculated at 20% but this may alter to reflect any change in the applicable VAT rate.





Colour and trim guide

Interior trim colours

Standard seats

To help you choose the right interior for your new Audi A4, please use this guide, showing the carpet, dashboard and headlining colours that have been matched to your chosen upholstery.

Sports seats – PS1

S line Sports seats

Climate controlled comfort seats – PS8

Options are subject to availability and may extend delivery.

– = Not available
• = Available
S = Standard

A4 Saloon and Avant colour and trim guide

Order Code	Upholstery	Carpet	Dashboard	Headlining	Cosinus cloth (N2M)	Milano leather (N5W)	Fine Nappa leather (N3Q)
FZ	Black	Black	Black	Lunar silver	•	•	•
IE	Titanium grey	Grey	Grey	Lunar silver	•	•	•
IK	Titanium grey	Black	Black	Lunar silver	–	•	•
ID	Velvet beige	Black	Black	Pashmina beige	–	•	–
IF	Velvet beige	Moor brown	Moor brown	Pashmina beige	–	•	–
IH	Chestnut brown	Black	Black	Black	–	–	•

Order Code	Upholstery	Carpet	Dashboard	Headlining	Atrium cloth (N2E)	Leather/Alcantara (N7U)	Milano leather (N5W)	Fine Nappa leather (N3Q)
FZ	Black	Black	Black	Lunar silver	•	•	•	•
IE	Titanium grey	Grey	Grey	Lunar silver	•	•	•	•
IK	Titanium grey	Black	Black	Lunar silver	–	•	•	•
ID	Velvet beige	Black	Black	Pashmina beige	–	–	•	•
IF	Velvet beige	Moor brown	Moor brown	Pashmina beige	–	–	•	•
IH	Chestnut brown	Black	Black	Black	–	–	•	•

Order Code	Upholstery	Carpet	Dashboard	Headlining	Sprint cloth/leather (N7V)	Leather/Alcantara (N7K)	Fine Nappa leather (N2R)
QZ	Black with Jet grey stitching	Black	Black	Black	•	•	–
QE	Black with Black stitching	Black	Black	Black	–	–	•

Order Code	Upholstery	Carpet	Dashboard	Headlining	Perforated Milano Leather (N5W)
FZ	Black	Black	Black	Lunar silver	•
IE	Titanium grey	Grey	Grey	Lunar silver	•
IK	Titanium grey	Black	Black	Lunar silver	•
ID	Velvet beige	Black	Black	Pashmina beige	•
IF	Velvet beige	Moor brown	Moor brown	Pashmina beige	•
IH	Chestnut brown	Black	Black	Black	•

Colour and trim guide

Interior trim colours

Standard seats

A4 allroad colour and trim guide

Order Code	Upholstery	Carpet	Dashboard	Headlining	Tundra cloth (N2W)	Milano leather (N5W)	Fine Nappa leather (N3Q)
FZ	Black	Black	Black	Lunar silver	●	●	●
IK	Titanium grey	Black	Black	Lunar silver	●	●	●
IF	Velvet beige	Moor brown	Moor brown	Pashmina beige	—	●	—
VR	Chestnut brown	Black	Black	Black	—	—	●

Sports seats – PS1

Order Code	Upholstery	Carpet	Dashboard	Headlining	Tundra cloth (N2W)	Leather/Alcantara (N7U)	Milano leather (N5W)	Fine Nappa leather (N3Q)
FZ	Black	Black	Black	Lunar silver	●	●	●	●
IK	Titanium grey	Black	Black	Lunar silver	●	●	●	●
ID	Velvet beige	Black	Black	Pashmina beige	—	—	—	●
IF	Velvet beige	Moor brown	Moor brown	Pashmina beige	—	—	●	●
VR	Chestnut brown	Black	Black	Black	—	—	—	●

Climate controlled comfort seats – PS8

Order Code	Upholstery	Carpet	Dashboard	Headlining	Perforated Milano leather (N5W)
FZ	Black	Black	Black	Lunar silver	●
IK	Titanium grey	Black	Black	Lunar silver	●
IF	Velvet beige	Moor brown	Moor brown	Pashmina beige	●
VR	Chestnut brown	Black	Black	Black	●

Options are subject to availability and may extend delivery.

- = Not available
- = Available
- S = Standard

Colour and trim guide

Interior trim colours

S4 Sports seats

S4 Super Sports seats – PS6

S4 Saloon and Avant colour and trim guide

Order Code	Upholstery	Carpet	Dashboard	Headlining	Leather/ Alcantara (N7N)
ZM/SX	Black	Black	Black	Black or Silver	●
SU/SY	Lunar silver/Black	Black	Black	Black or Silver	●

Order Code	Upholstery	Carpet	Dashboard	Headlining	Fine Nappa leather with contrast stitching (N3M)
ZM/SX	Black/Black	Black	Black	Black or Silver	●
SU/SY	Lunar silver/Black	Black	Black	Black or Silver	●
FA/SZ	Magma red/Black	Black	Black	Black or Silver	●
SV/WY	Chestnut brown/Black	Black	Black	Black or Silver	●

Options are subject to availability and may extend delivery.

- = Not available
- = Available
- S = Standard

Colour and trim guide

Solid paint

Metallic paint

Pearl effect paint

A4 allroad exterior colours and bumper guide

Order Code	Exterior Colour	Black matt coloured bumper	Platinum grey matt coloured bumper
T9	Ibis white	●	—
A2	Brilliant black	—	●

Order Code	Exterior Colour	Black matt coloured bumper	Platinum grey matt coloured bumper
0D	Cuvée silver	—	●
2Y	Glacier white	●	—
P5	Ice silver	●	—
0C	Monsoon grey	●	—
W1	Moonlight blue	—	●
S9	Scuba blue	●	—
4U	Teak brown	—	●
1G	Volcano red	●	—

Order Code	Exterior Colour	Black matt coloured bumper	Platinum grey matt coloured bumper
L8	Phantom black	—	●
1R	Lava grey	—	●

Options are subject to availability and may extend delivery.

- = Not available
- = Available
- S = Standard

Upholstery

Audi exclusive

With Audi exclusive, you can specify your seats in Valcona leather or Valcona leather/Alcantara, from an array of different colours shown to the right.

Select just one all-over shade for each seat, or customise each panel in two or more complementary colours from the distinctive Audi exclusive palette. You can even choose the colour of the decorative stitching – to match or contrast with your chosen upholstery – from this varied collection. Whatever combination you decide upon, we are sure you'll be extremely satisfied with the result.

Options are subject to availability and may extend delivery.

– = Not available
• = Available
S = Standard

*Leather and stitching (where applicable) can be specified in a variety of colours from the Audi exclusive range.

*Not available on S4 Black Edition

RRP – Recommended Retail Price.

VAT is calculated at 20% but this may alter to reflect any change in the applicable VAT rate.

Order Code		SE	SE Technik	S line	A4/S4 Black Edition	A4 allroad	S4 quattro	Basic RRP	Total RRP inc VAT
PYB S3G	Audi exclusive leather package 1 in Valcona leather. Seat upholstery, door trim inserts, door armrests and front centre armrest in leather. Backrest covers and seat add-on parts come in the interior trim colour**	•	•	•	•	•	•	£3,191.67	£3,830.00
PYC S3G	Audi exclusive leather package 1 in Valcona leather/Alcantara. Includes leather-covered seat-side trims, head restraints, front centre armrest and Alcantara door trim inserts and seat-centre sections. Backrest covers and seat add-on parts come in the interior trim colour.* Only in combination with Sports seats*	•	•	•	•	•	•	£3,191.67	£3,830.00
PYE S3G	Audi exclusive leather package 2 in Valcona leather. Includes all the contents of leather package 1 (PYB/S3G) plus leather-covered seat backrest covers. Seat-side trims and add-on parts are colour-coordinated. Only in combination with electrically-adjustable front seats (PV1).** Not available on Saloon TDIe 136PS or TDI ultra models	•	•	•	•	•	•	£3,616.67	£4,340.00



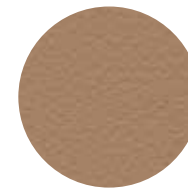
Chestnut brown



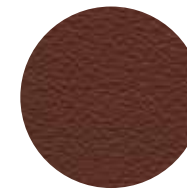
Jet grey



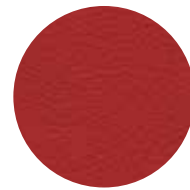
Alabaster white



Sand beige



Saddle brown



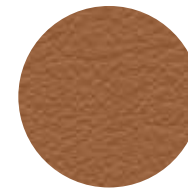
Crimson red



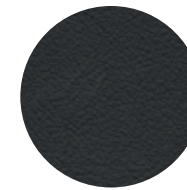
Magnolia white



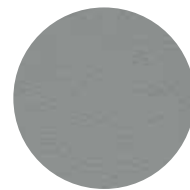
Havanna brown



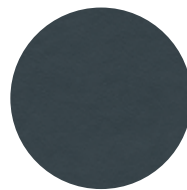
Cognac brown



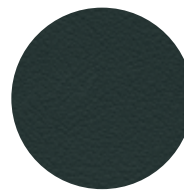
Night blue



Cloudy grey



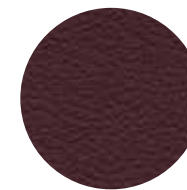
Smoky blue



Iceland green



Powder beige



Classic red

Also available:

Alcantara colours: available in all the Audi exclusive colours shown, except for Crimson red, Jet grey and Sand beige. Alcantara equivalents are Chilli red, Amethyst grey and Sesame beige, respectively.

Please consult your Audi Centre for examples of Alcantara and carpet colours.

Upholstery

Audi exclusive line

Audi exclusive is ultimately about choice – but if you'd rather leave some of the decisions in the capable hands of our designers, the expert team at quattro GmbH have compiled the Audi exclusive line, combining some of the most popular elements of the exclusive range in one, beautifully coordinated package.

Options are subject to availability and may extend delivery.

– = Not available
 ● = Available
 S = Standard

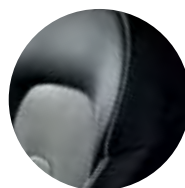
*When ordered in combination with S line, Audi exclusive sill trims are replaced with S line sill trims.

**On Black Edition models the standard flat-bottom steering wheel is replaced by the 3-spoke Sports multi-function steering wheel.

RRP – Recommended Retail Price.

VAT is calculated at 20% but this may alter to reflect any change in the applicable VAT rate.

Order Code		SE	SE Technik	S line	A4/S4 Black Edition	A4 allroad	S4 quattro	Basic RRP	Total RRP inc VAT
WQK	Audi exclusive line (not available on 2.0 TDIe or Saloon TDI ultra engines)	●	–	–	–	–	–	£3,345.83	£4,015.00
PQL	Audi exclusive line	–	–	●	●	–	–	£2,083.33	£2,500.00



Cloudy grey – UH



Cognac brown – QX



Alabaster white – UA

This package includes

- ▶ Sports seats in two-tone Fine Nappa leather upholstery. Seat-centre sections in Cloudy grey, Cognac brown or Alabaster white. Seat-side sections and head restraints in black with decorative stitching to match seat centres
- ▶ Door panels in Fine Nappa leather to match seat centres
- ▶ Black dashboard and carpets
- ▶ Black cloth headlining
- ▶ Audi exclusive sill trims*
- ▶ Matt-brushed aluminium inlays
- ▶ Black front and rear floor mats with leather piping to match seat centres
- ▶ 3-spoke Sports multi-function steering wheel in black leather and gear lever gaiter with stitching to match seat centres**

Inlays

Attention to detail can make a big impact. From contemporary black Piano finish to a brown walnut, our selection of inlays make the perfect finishing touch to your car's interior.

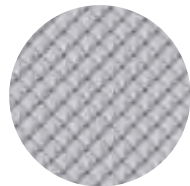




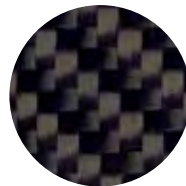
Inlays

Inlays are the all-important finishing touch that add flair and interest to your car's interior.

Order Code		SE	SE Technik	S line	A4/S4 Black Edition	A4 allroad	S4 quattro	Basic RRP	Total RRP inc VAT
5MU	Aluminium trigon (with aluminium optics for centre console and electromechanical parking brake)	S	S	-	-	●	-	£129.17	£155.00
5MK	Carbon atlas	-	-	-	-	-	●	£212.50	£255.00
7TL	Fine grain ash, natural	●	●	-	-	-	-	£145.83	£175.00
		-	-	-	-	●	-	£275.00	£330.00
5TZ	Fine grain birch wood, grey	-	-	●	-	-	-	£275.00	£330.00
5MT	Oakwood beaufort	●	●	-	-	-	-	£275.00	£330.00
5TB	Aluminium beaufort	-	-	●	●	-	●	£791.67	£950.00
5TL	Piano finish, black	-	-	●	S	-	-	No charge	No charge
5MZ	Stainless steel mesh (centre console comes in Piano finish, black)	-	-	-	-	-	●	£304.17	£365.00
5MG	Walnut, brown (with aluminium optics for centre console and electromechanical parking brake)	●	●	-	-	●	-	£129.17	£155.00



Aluminium trigon - **5MU**



Carbon atlas - **5MK**



Fine grain ash, natural - **7TL**



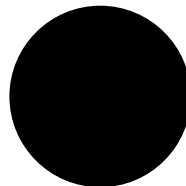
Fine grain birch wood, grey - **5TZ**



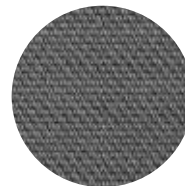
Oakwood beaufort - **5MT**



Aluminium beaufort - **5TB**



Piano finish, black - **5TL**



Stainless steel mesh - **5MZ**



Walnut, brown - **5MG**

Options are subject to availability and may extend delivery.

- = Not available
● = Available
S = Standard

RRP - Recommended Retail Price.

VAT is calculated at 20% but this may alter to reflect any change in the applicable VAT rate.

Inlays

Audi exclusive

Audi exclusive has sourced a wide range of materials from which you can select for your inlays, from Sepia oak to Fine grain myrtle.

Order Code		SE	SE Technik	S line	A4/S4 Black Edition	A4 allroad	S4 quattro	Basic RRP	Total RRP inc VAT
YTA 53G	Audi exclusive inlays	•	•	•	-	•	•	£675.00	£810.00



Fine grain ash, nougat



Fine grain myrtle, nutmeg



Oak, sepia

Options are subject to availability and may extend delivery.

- = Not available
- = Available
- S = Standard

RRP – Recommended Retail Price.

VAT is calculated at 20% but this may alter to reflect any change in the applicable VAT rate.

Options

Every driver has different needs, which is why we have created some useful options to further enhance your car. For extra comfort, support, style or function, you can choose from a variety of additional features, tailoring everything from your infotainment and audio equipment to your wheels and lighting.





Wheels, tyres and suspension

Choose a set of specially-selected alloy wheels to subtly enhance the way your car looks and drives. And you can also specify Audi drive select, which allows you to change suspension and steering settings according to your driving style.



17" x 8J '10-spoke'
design alloy wheels - PRT



18" x 8J '10-spoke Dynamic'
design alloy wheels - PRQ



18" x 8J '5-arm Avus'
design alloy wheels - PRL



18" x 8J '10-spoke' Exclusive
design alloy wheels - PQ5



19" x 8.5J '5-segment-spoke'
design alloy wheels - PQ6

Wheels, tyres and suspension

Order Code		SE	SE Technik	S line	A4/S4 Black Edition	A4 allroad	S4 quattro	Basic RRP	Total RRP inc VAT
PRG	17" x 7.5J '5-spoke' design alloy wheels with 225/50 R17 tyres. Standard on 2.0 TDIe 136PS and TDI ultra SE Technik models, please see page 20 for image	S	●	–	–	–	–	No charge	No charge
PRT	17" x 8J '10-spoke' design alloy wheels with 245/45 R17 Y tyres*	●	–	–	–	–	–	£254.17	£305.00
PRQ	18" x 8J '10-spoke' Dynamic design alloy wheels with 245/40 R18 Y tyres*	●	●	–	–	–	–	£516.67	£620.00
PRL	18" x 8J '5-arm Avus' design alloy wheels with 245/45 R18 Y tyres	–	–	–	–	●	–	£133.33	£160.00
PQ5	18" x 8J '10-spoke' Exclusive design alloy wheels with 245/40 R18 Y tyres. Not available on 2.0 TDIe 136PS and TDI ultra SE Technik models	–	S	●	–	–	–	No charge	No charge
		–	–	–	●	–	–	No charge	No charge
PQ6	19" x 8.5J '5-segment-spoke' design alloy wheels with 255/35 R19 Y tyres	–	–	●	–	–	–	£500.00	£600.00
		–	–	–	–	–	●	£958.33	£1,150.00
1BE	Sports suspension. With stiffer springs and stiffer shock absorbers. Standard on TDIe 136PS and TDI ultra models	●	●	S	S	–	–	£262.50	£315.00
1BV	S line Sports suspension. Lowered by 30mm with more firmly tuned springs and dampers for more direct contact with the road. Not available on S4 Black Edition	–	–	●	●	–	–	No charge	No charge
2H1	Audi drive select. Changes your car's handling and responses at the touch of a button to suit the way you want to drive. Enables the driver to alter the throttle response, the shift point of the automatic transmission and the power steering feel between the four pre-set modes (comfort, dynamic, auto and efficiency). Efficiency mode also adjusts the climate control and the cruise control for consumption improvement. In combination with MMI Navigation systems, individual mode is also available, allowing even more fine tuning. Not available on 1.8 TFSI 120PS models	●	●	●	●	●	●	£183.33	£220.00
1N8	Dynamic steering. Improves comfort and handling by dynamically regulating steering according to the driving situation. With this technology, driving is significantly more agile under everyday conditions, while directional stability and precision are increased at high speeds and in demanding driving situations. Only available in combination with Audi drive select. Not available on 1.8 TFSI 120PS or TDIe 136PS models	●	●	●	●	●	●	£312.50	£375.00
1BL	Damper control. Formed on the basis of lowered Sports suspension, the optional damper control system fine-tunes suspension settings according to road conditions and driver needs. Only available in combination with Audi drive select. Not available on 1.8 TFSI 120PS, TDIe 136PS and TDI ultra models or in combination with S line Sports suspension	●	●	–	–	–	–	£566.67	£680.00
		–	–	●	●	–	●	£250.00	£300.00
GH2	Audi quattro with Sports differential. The electronically regulated Sports differential distributes variable amounts of driving force to each rear wheel, ensuring outstanding acceleration performance in corners and stabilising the vehicle's response to load change. It also ensures better direct steering characteristics and, thanks to less steering effort, more agile handling. Only available on 3.0 TDI quattro 245PS and S4 quattro and in combination with Audi drive select (2H1)	●	–	●	●	–	●	£516.67	£620.00

Options are subject to availability and may extend delivery.

– = Not available
● = Available
S = Standard

*Not available on TDIe 136PS and TDI ultra models.

RRP – Recommended Retail Price.

VAT is calculated at 20% but this may alter to reflect any change in the applicable VAT rate.

Packages

Some items work well together, which is why we've created these special packages. They provide increased convenience and value by combining several of our most popular options.

Order Code		SE	SE Technik	S line	A4/S4 Black Edition	A4 allroad	S-4 quattro	Basic RRP	Total RRP inc VAT
WB7 7X4	Technology package Includes the following features: MMI Navigation system plus. Hard disk navigation with topographical map display, places of interest and town models in 3D, with high-resolution 7" colour TFT display. The system offers three alternative routes, with the ability to scroll along the selected route and manoeuvre within the map. Uses 7-digit postcode recognition. Includes split-screen mode for route information, dynamic route guidance (TMC), intersection zoom function, motorway exits and lane recommendations in Driver's Information System (DIS). Includes 2 SD card readers, single CD/DVD player, 40GB hard drive and Jukebox (20GB) for storing and managing music files in WMA and MP3 format. Includes European navigation data (where digitised) Additional functionality is available when combined with optional Mobile telephone preparation – High with Audi connect (9ZW). For more details please see option 9ZW, featured in the options section of the guide. Audi Music Interface. Connection for use with stereo audio sources, USB and MP3 devices including Apple iPod generation 4 onwards and Apple iPhone Audi parking system plus. Acoustic and visual park assist system for the front and rear (Standard on Saloon Black Edition models)	●	S	●	–	●	●	£1,412.50	£1,695.00
	Avant	–	–	–	●	–	–	£1,200.00	£1,440.00
	Saloon	–	–	–	●	–	–	£929.17	£1,115.00
PCB WB7	Technology package – Advanced Includes all the features of Technology package as well as: Adaptive cruise control with braking guard. Intelligent automatic speed and distance control system. Works at speeds from 20-100mph*, using radar sensors to measure and maintain required distance to vehicle ahead by braking and accelerating. Four programs (distance 1 to distance 4) set via steering column controls of the cruise control system. Includes Audi braking guard – a system which triggers a visual and acoustic alarm when it detects the risk of a rear end collision with the vehicle in front. At speeds below 20mph the system can initiate partial braking or full deceleration if a potential impact is detected to help prevent a collision, or if it is not possible to completely prevent a collision, the system will focus on reducing the speed at which the vehicles collide Audi active lane assist. Helps the driver to stay in lane with gentle steering impulses for greater safety and convenience, particularly on motorways and country roads. The system informs the driver if the car is drifting out of its lane unintentionally above approximately 37mph Not available on TDIe 136PS models	●	–	●	–	●	●	£1,933.33	£2,320.00
	Avant	–	–	–	●	–	–	£1,720.83	£2,065.00
	Saloon	–	–	–	●	–	–	£1,450.00	£1,740.00
		–	●	–	–	–	–	£520.83	£625.00

Options are subject to availability and may extend delivery.

– = Not available
● = Available
S = Standard

*Where the law permits

RRP – Recommended Retail Price.

VAT is calculated at 20% but this may alter to reflect any change in the applicable VAT rate.

Packages



Audi Music Interface (part of Technology packages)



MMI Navigation system plus (part of Technology packages)



MMI Navigation system plus controls (part of Technology packages) and Oakwood beaufort inlay



Audi parking system plus (part of Technology packages)

Audio and communication

Stay in touch using our range of communication functions, and give each journey its own soundtrack with our advanced audio equipment.

Order Code		SE	SE Technik	S line	A4/S4 Black Edition	A4 allroad	S4 quattro	Basic RRP	Total RRP inc VAT
8UM	Symphony radio. With front-loading 6-CD changer which is MP3, WMA and AAC compatible. Cannot be combined with a Technology package (WB7 or PCB)	●	I	●	●	●	●	£233.33	£280.00
9VK	Bang & Olufsen sound system. Designed specifically for the Audi A4, features 14 high-performance speakers and two amplifiers which create 505 watts of stunning surround sound, balanced to suit the specific acoustic properties of the car's interior. The system constantly and automatically adapts the sound characteristics to the vehicle's speed and background noise providing the highest level of quality. The digital signal-processing amplifier takes output from standard stereo sources such as CD players, iPods or DAB radios and, when combined with a Technology package, creates exceptional 5.1 surround sound	●	●	●	S	●	●	£445.83	£535.00

Options are subject to availability and may extend delivery.

- = Not available
- = Available
- S = Standard

RRP – Recommended Retail Price.

VAT is calculated at 20% but this may alter to reflect any change in the applicable VAT rate.



Symphony radio with 6-CD changer



Audi Music Interface (AMI)



Bang & Olufsen sound system

Audio and communication

Order Code		SE	SE Technik	S line	A4/S4 Black Edition	A4 allroad	S4 quattro	Basic RRP	Total RRP inc VAT
PT5	Mobile telephone preparation – Low with Bluetooth and voice control. Provides hands free connection via Bluetooth using mobile phone aerial. Alternatively, it can use a cradle with charging facility for optimal reception via external aerial. Located in front centre armrest. Cradle available at extra cost – please contact your Audi Centre for phone compatibility. Not available on S4 Black Edition	●	●	●	●	●	–	£145.83	£175.00
9ZW	Mobile telephone preparation – High with Audi connect. Audi connect provides access to a number of innovative online services via an internal UMTS (3G) module. Audi connect online services include: navigation using Google Earth images and Google Street View, destination entry via Google Maps or myAudi, online point of interest search and information services such as weather forecasts and the latest world news. Audi connect also includes Audi traffic information online, which gives accurate real-time forecasts of the traffic situation along the chosen route. The traffic situation can be displayed on the navigation map or Google Earth image. Audi connect can also create a Wi-Fi hotspot in the car for convenient internet access using a mobile device (e.g. laptop or tablet). Many Audi connect features can be simply operated via MMI Navigation Plus, the multi-function steering wheel or the voice control system Important connectivity information: An external data source is required to enable the Audi connect online services. One of the two following external data sources can be used ¹ : 1. a mobile telephone with Bluetooth SIM Access Profile ² 2. a separate SIM card which can be inserted in the included SIM card reader. When a separate SIM card is used, hands free phone calls are possible using the SIM card or by connecting a different mobile telephone via Bluetooth Hands Free Profile Only in combination with a Technology Package (WB7 or PCB)	●	●	●	●	●	●	£291.67	£350.00
UF7	Audi Music Interface. Provides connection for use with stereo audio sources, USB and MP3 devices including Apple iPod generation 4 onwards and Apple iPhone. Provides intuitive control through the audio system and multi-function steering wheel. It also replicates the iPod display on the audio screen and DIS, including track titles. The interface provides a charging function (dependent on device). Includes 2 cables to connect your iPod or USB MP3 device. Also available as part of Technology packages	●	S	●	S	●	●	£212.50	£255.00
7D1	CD changer and DVD player. 6-CD changer located in the glove box and single CD/DVD slot in centre console. Only available in combination with a Technology package (WB7 or PCB)	●	●	●	●	●	●	£254.17	£305.00
9WM	Rear Seat Entertainment. Includes two detachable DVD players/monitors fitted to the back of each front seat (supplied by Audi Genuine Accessories). The back of each front seat is fitted with mountings and power connections. The system can be used outside the car with a rechargeable battery or mains power connection, which is included in the package. Includes individual remote controls and two sets of headphones. Not available in combination with S4 front Super Sports seats (PS6)	●	●	●	●	●	●	£875.00	£1,050.00
QU6	Digital TV reception. Reception of digital (DVB-T) uncoded television stations (MPEG-2 standard), TV picture, teletext and Electronic Programme Guide (EPG). Facility to connect 2 external AV sources via adaptor cables (available from Audi Genuine Accessories). Please note: TV reception depends on local digital network availability. No AV or TV video output when driving (audio output available when driving). Only available in combination with a Technology package (WB7 or PCB). Not available on Avant TDI ultra models	●	●	●	●	●	●	£687.50	£825.00

Options are subject to availability and may extend delivery.

– = Not available
● = Available
S = Standard

¹Online services are only available for mobile phone contracts or SIM cards which include a data option and only within the coverage of the mobile phone network; there may be additional costs for the use of these services (charges and billing correspond to the personal mobile phone contract or SIM card contract). Due to high data volumes, a mobile phone contract including an unlimited or high usage data plan is strongly recommended. The content and scope of the online based services offered may vary.

²To check the compatibility of your mobile phone and whether it has SIM Access Profile compatibility, please visit www.audi.co.uk/owners-area/phone-compatibility.html

RRP – Recommended Retail Price.

VAT is calculated at 20% but this may alter to reflect any change in the applicable VAT rate.

Interior equipment

Specify every detail of your car's interior with this range of exclusive options.

Options are subject to availability and may extend delivery.

- = Not available
• = Available
S = Standard

*Where the law permits

**HomeLink® is a registered trademark of Johnson Controls. For information on compatibility, visit www.homelink.com

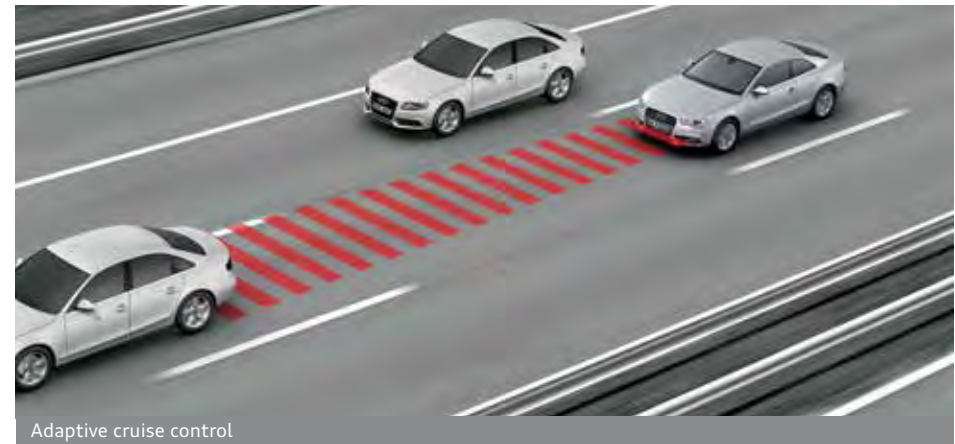
RRP - Recommended Retail Price.

VAT is calculated at 20% but this may alter to reflect any change in the applicable VAT rate.

Order Code		SE	SE Technik	S line	A4/S4 Black Edition	A4 allroad	S4 quattro	Basic RRP	Total RRP inc VAT
PG3	Advanced key. Access and authorisation system which automatically exchanges data between key and vehicle, allowing the driver to keep the key in their pocket or bag at all times. To unlock and open, simply lift the exterior door handle. To lock, press the button on the handle. Pressing the Start-Stop button integrated in the centre console starts and stops the engine. Not available on Saloon TDiE 136PS models	•	•	•	•	•	•	£391.67	£470.00
8T4	Adaptive cruise control with braking guard. Intelligent automatic speed and distance control system. Works at speeds from 20-100mph*, using radar sensors to measure and maintain required distance to vehicle ahead by braking and accelerating. Four programmes (distance 1 to distance 4) set via steering column controls of the cruise control system. Includes Audi braking guard - a system which triggers a visual and acoustic alarm when it detects the risk of a rear end collision with the vehicle in front. At speeds below 20mph the system can initiate partial braking or full deceleration if a potential impact is detected to help prevent a collision, or if it is not possible to completely prevent a collision, the system will focus on reducing the speed at which the vehicles collide. Not available on TDiE 136PS models	•	•	•	•	•	•	£750.00	£900.00
VC1	Garage door opener (Homelink®**). Programmable radio-operated remote control for compatible doors/gates. Control buttons integrated in the front roof module. Not available on Saloon TDiE 136PS models	•	•	•	•	•	•	£150.00	£180.00
QQ1	Interior light package. Includes front and rear footwell lighting, active door reflectors, illuminated vanity mirrors, rear reading lights, entrance lights and illuminated glove compartment, vents and internal door handles. Standard on S4 Black Edition	•	•	•	•	•	S	£125.00	£150.00
3GN	Load-area fixing kit. Includes load-area rails, telescopic bar and securing belt for dividing up luggage compartment. Only available on Avant models	•	•	•	•	S	•	£129.17	£155.00
6SJ	Reversible luggage compartment floor mat. Can be reversed to provide a rubber mat which extends to cover the entire load area as well as protect rear bumper. Only available on Avant models	•	•	•	•	S	•	£70.83	£85.00



Advanced key



Adaptive cruise control

Interior equipment

Specify every detail of your car's interior with this range of exclusive options.

Order Code		SE	SE Technik	S line	A4/S4 Black Edition	A4 allroad	S4 quattro	Basic RRP	Total RRP inc VAT
3Y4	Side window blinds – manual	●	●	●	●	●	●	£83.33	£100.00
3Y2	Rear window blind – electric (Saloon only). Not available on TDIe 136PS models in combination with side window blinds	●	●	●	●	–	●	£200.00	£240.00
QE1	Storage package. Comprises storage nets on front seat back-rests, storage compartment under the front seats (if memory function is fitted, only under the front passenger seat), drinks holder in the rear centre armrest and a lockable glove compartment	●	●	●	●	S	●	£83.33	£100.00
6NQ	Black cloth headlining	●	●	S	S	●	S	£170.83	£205.00
7HB	Leather armrests front and rear. Included with Fine Nappa leather upholstery options (cannot be combined with cloth upholstery). Not available on Saloon TDIe 136PS models	●	●	●	●	●	●	£170.83	£205.00
3X2	Through-load facility. Includes removable ski bag for transporting long objects. Not available on Saloon TDIe 136PS or Saloon TDI ultra models	●	●	●	●	●	●	£137.50	£165.00
YRB S3G	Audi exclusive – controls package.* Includes leather-covered steering wheel and gear-shift gaiter	●	●	●	●	●	●	£512.50	£615.00
YSR S3G	Audi exclusive floor mats with leather piping.** Includes 4 floor mats for front and rear (cannot be combined with option YSQ/S3G – Audi exclusive carpets)	●	●	●	●	●	●	£254.17	£305.00
YSQ S3G	Audi exclusive carpets.** Includes 4 Audi exclusive floor mats with leather piping	●	●	●	●	●	●	£725.00	£870.00

Options are subject to availability and may extend delivery.

- = Not available
- = Available
- S = Standard

*The leather, stitching and piping (where applicable) can be selected from any of the Audi exclusive colours shown on page 60.

**The carpet colour can also be selected from any of the Audi exclusive colours shown on page 60.

RRP – Recommended Retail Price.

VAT is calculated at 20% but this may alter to reflect any change in the applicable VAT rate.

Exterior equipment

Make sure your car looks exactly as you want it to by selecting some of our striking options.

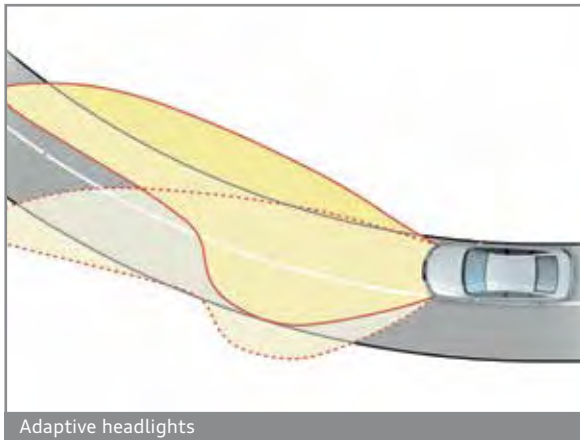
Options are subject to availability and may extend delivery.

- = Not available
• = Available
S = Standard

RRP - Recommended Retail Price.

VAT is calculated at 20% but this may alter to reflect any change in the applicable VAT rate.

Order Code		SE	SE Technik	S line	A4/S4 Black Edition	A4 allroad	S4 quattro	Basic RRP	Total RRP inc VAT
8N7	High-beam assist. Variable headlight range control featuring a camera on the interior mirror which registers sources of light from other road users. The range and width of the headlight beam are continuously varied between dipped and main beam to suit ambient conditions, ensuring that the headlights provide good visibility without dazzling other road users	•	•	•	•	•	•	£91.67	£110.00
PX1 8Q5	Adaptive headlights with turning light. Swivelling headlights for improved illumination of a winding road. Includes a turning light which is activated at speeds below 19mph and with the dipped beam switched on for better illumination of tighter corners. Includes Xenon Plus headlights with LED daytime-running lights and headlight washers on SE and SE Technik and allroad quattro models. Not available on Saloon TDIE 136PS models	•	•	-	-	•	-	£941.67	£1,130.00
PX1	Xenon Plus headlights with LED daytime-running lights and headlight washers. Only available on Saloon TDIE 136PS models	-	-	•	•	-	•	£275.00	£330.00
PX1	Xenon Plus headlights with LED daytime-running lights and headlight washers. Only available on Saloon TDIE 136PS models	•	•	-	-	-	-	£666.67	£800.00
4ZD	Black styling package. Front radiator grille-frame and window surround in high-gloss black, with radiator grille and number plate holder in matt black. Avant models include black roof rails. S line and S4 models include bar in side radiator grilles in highly polished black	•	•	•	S	-	•	£387.50	£465.00
2Z7	Deletion of engine technology designation at rear	•	•	•	•	-	-	No charge	No charge
2Z0	Deletion of model and engine technology designation at rear	•	•	•	•	•	•	No charge	No charge
VJ1	Full paint finish. Bumpers and extended wheel arches painted in body colour with matt finish. Available in combination with Teak brown or Audi exclusive exterior colours	-	-	-	-	•	-	£958.33	£1,150.00



Exterior equipment

Order Code		SE	SE Technik	S line	A4/S4 Black Edition	A4 allroad	S4 quattro	Basic RRP	Total RRP inc VAT
VW1	Privacy glass. Dark tinted glass from B-pillar backwards. Only available on Avant models	●	●	●	S	●	●	£275.00	£330.00
1D2	Towing equipment. Removable. Includes single European 13-pin electric socket and may require a 13- to 7-pin adaptor.* Please consult your Audi Centre for details. Not available on TDIe 136PS models	●	●	●	●	●	●	£554.17	£665.00
6XK	Door mirrors – electrically folding and auto dimming. Includes kerb view function which lowers the passenger side mirror for increased visibility whilst reversing	●	●	●	●	●	●	£241.67	£290.00
3FE	Electric slide-and-tilt sunroof. Includes position pre-selection, tinted glass insert, variable sunshield and convenience closing via the car key. Only available on Saloon models. Not available on TDIe 136PS models	●	●	●	●	–	●	£725.00	£870.00
3FU	Open Sky panoramic sunroof. Comprises glass roof with electric slide-and-tilt control and sunshade at front and rear. Convenience closing via the car key. Only available on Avant models	●	●	●	●	●	●	£937.50	£1,125.00

Options are subject to availability and may extend delivery.

*Additional wiring is required for auxiliary equipment.

– = Not available
● = Available
S = Standard

RRP – Recommended Retail Price.

VAT is calculated at 20% but this may alter to reflect any change in the applicable VAT rate.



Privacy glass



Electric slide-and-tilt sunroof



Open Sky panoramic sunroof

Safety and security

Intelligent technology designed to give you better all-round awareness and safety on the road.

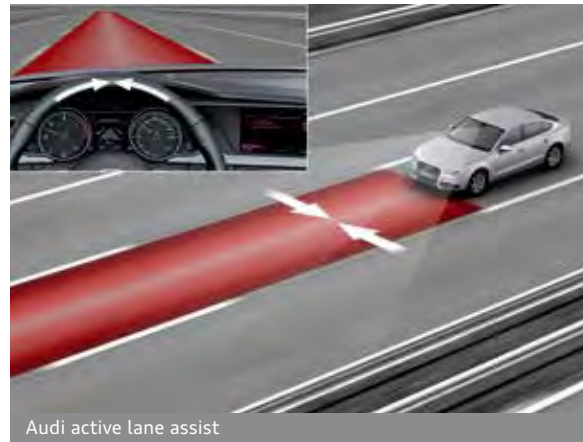
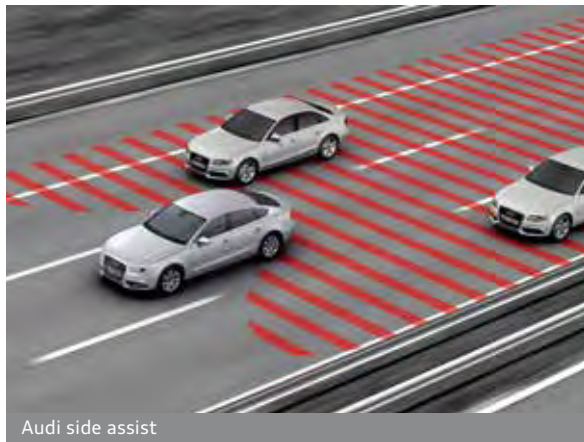
Options are subject to availability and may extend delivery.

- = Not available
- = Available
- S = Standard

RRP – Recommended Retail Price.

VAT is calculated at 20% but this may alter to reflect any change in the applicable VAT rate.

Order Code		SE	SE Technik	S line	A4/S4 Black Edition	A4 allroad	S4 quattro	Basic RRP	Total RRP inc VAT
7X4	Audi parking system plus. Acoustic and visual park assist system for the front and rear with MMI screen display; measurement is by ultrasonic sensors concealed in the bumpers (standard on Saloon Black Edition models). Also available as part of a Technology package (WB7 or PCB)	•	S	•	•	•	•	£270.83	£325.00
7X8	Audi parking system advanced. Aids parking by acoustically and visually indicating distances to obstacles with guiding lines. Measured by sensors and reversing camera. Only available in combination with a Technology package. Not available on Saloon TDiE 136PS models	•	•	•	•	•	•	£283.33	£340.00
UH2	Audi hill-hold assist. Uses either the ESP system or electromechanical parking brake to hold the vehicle stationary	•	•	•	•	•	•	£54.17	£65.00
7Y4	Audi active lane assist. Helps the driver to stay in lane with gentle steering impulses for greater safety and convenience, particularly on motorways and country roads. The system informs the driver if the car is drifting out of its lane unintentionally above approximately 37mph. The driver has the choice of two system settings in the MMI: - Early steering intervention – continuously helps the driver to stay in lane with steering impulses that centre the vehicle in its lane - Late steering intervention – alerts the driver that the vehicle is possibly crossing the lane markings at the same time as providing a corrective steering prompt An additional warning in the form of the vibrating steering wheel is issued when lane markings are crossed, if specified by driver. Not available on Saloon TDiE 136PS models in combination with Audi side assist	•	•	•	•	•	•	£308.33	£370.00
7Y1	Audi side assist. Aids the driver when changing lane. Audi side assist monitors the area behind your car, using radar sensors located discreetly in the rear bumper, informing the driver with a visual warning signal in the door mirror if there is a vehicle in their blind spot or approaching quickly from behind. The system is activated using a button in the driver's door. Not available on Saloon TDiE 136PS models in combination with Audi active lane assist	•	•	•	•	•	•	£366.67	£440.00
4X4	Rear side airbags. For the outer rear seats, incorporated into the seat backrests; supplement the side impact protection in the doors and the head airbag system	•	•	•	•	•	•	£212.50	£255.00



Steering wheels

Our steering wheels are available in a range of textures and designs, and can give you control over everything from your Satellite Navigation system to the S tronic transmission.

Options are subject to availability and may extend delivery.

- = Not available
 ● = Available
 S = Standard

*The leather and stitching (where applicable) can be selected from any of the Audi exclusive colours shown on page 60.

**Standard on SE and SE Technik models.

RRP – Recommended Retail Price.

VAT is calculated at 20% but this may alter to reflect any change in the applicable VAT rate.

Order Code		SE	SE Technik	S line	A4/S4 Black Edition	A4 allroad	S4 quattro	Basic RRP	Total RRP inc VAT
1XW	3-spoke multi-function steering wheel. Manual models only	●	●	S	-	●	-	£83.33	£100.00
1XX	3-spoke multi-function steering wheel with gear-shift paddles. Automatic models only	●	●	S	-	●	S	£204.17	£245.00
2PF 2PK	3-spoke multi-function flat-bottomed steering wheel (includes gear-shift paddles on automatic models)	-	-	●	S	-	●	£83.33	£100.00
YRH S3G	Audi exclusive leather-covered steering wheel.* Not in combination with Audi exclusive controls package	●	●	●	●	●	●	£304.17	£365.00
YRI S3G	Audi exclusive steering wheel in wood and leather.* Wood and leather can be chosen from the Audi exclusive inlays and leather colours respectively. Only in combination with matching inlays	●	●	-	-	●	-	£512.50	£615.00



4-spoke multi-function steering wheel**



3-spoke multi-function steering wheel



3-spoke multi-function flat-bottomed steering wheel

Looking after your Audi

When you've chosen your ideal model, it's reassuring to know that it will remain in safe hands. That's why we've created products to protect your Audi, from extended warranties to Audi Complete – our comprehensive service and maintenance package. And there's also a range of Audi accessories and merchandise to choose from, enabling you to further enhance and safeguard your car.





Audi Complete

Audi Complete is simply a way to look after the servicing and maintenance costs for your Audi in a single package. You pay a one-off or monthly fee and we'll cover all your servicing, maintenance and tyres for the next three years, including your MOT. It means you only have to pay for fuel, insurance and your Road Fund Licence. So you can be reassured that your car will be maintained by trained Audi Technicians, using genuine Audi parts. You can also opt for our Service only or Service and Maintenance packages if you prefer.

*Retail customers only. Pricing correct at time of print and based on a 3 years/30,000 miles agreement. All pricing is a 'starting from' price for the Audi A4 model range and is therefore subject to change and mileage/model dependent. If you drive under 10,000 miles per annum your vehicle will be placed on a fixed inspection service schedule. If your mileage tends to exceed 10,000 miles per annum it will be placed on the Flexible Service schedule.

Warranty

Options are subject to availability and may extend delivery.

- = Not available
• = Available
S = Standard

**Only available prior to registration of your A4. Please speak to your Audi Centre for full details.

RRP - Recommended Retail Price.

VAT is calculated at 20% but this may alter to reflect any change in the applicable VAT rate.

Order Code		A4 Saloon/ Avant	A4 allroad	S4 quattro	Basic RRP	Total RRP inc VAT
-	Audi Complete - Service only. Comprehensive care for your Audi covering all your servicing for 3 years. Visit your local Audi Centre for further information or audi.co.uk/audicomplete for full details including terms and conditions	•	-	-	£13.33	£16.00*
		-	•	-	£18.33	£22.00*
		-	-	•	£18.33	£22.00*
-	Audi Complete - Service and Maintenance. Comprehensive care for your Audi covering all your servicing and maintenance for 3 years, as well as your MOT. Visit your local Audi Centre for further details or audi.co.uk/audicomplete for full details including terms and conditions	•	-	-	£18.33	£22.00*
		-	•	-	£22.50	£27.00*
		-	-	•	£25.00	£30.00*
-	Audi Complete - Service, Maintenance and Tyres. Comprehensive care for your Audi covering all your servicing, maintenance and tyres for 3 years, as well as your MOT. Visit your local Audi Centre for further details or audi.co.uk/audicomplete for full details including terms and conditions	•	-	-	£28.33	£34.00*
		-	•	-	£38.33	£46.00*
		-	-	•	£37.50	£45.00*

Order Code		A4 Saloon/ Avant	A4 allroad	S4 quattro	Basic RRP	Total RRP inc VAT
-	Audi Warranty , covering you for unlimited mileage in the first two years of ownership, and up to 60,000 miles in the third year. Transferable between owners**	S	S	S	No charge	No charge
EA6	Audi Warranty , covering you for up to 4 years or 75,000 miles, whichever comes sooner. Cover includes a two-year unlimited mileage warranty, and up to 75,000 miles in the third and fourth years. Transferable between owners**	•	•	•	£320.83	£385.00
EA9	Audi Warranty , covering you for up to 5 years or 90,000 miles, whichever comes sooner. Cover includes a two-year unlimited mileage warranty, and up to 90,000 miles in the third, fourth and fifth years. Transferable between owners**	•	•	•	£754.17	£905.00

Accessories

Choosing an Audi isn't just a matter of deciding on the model you want; it's about creating a car that suits your needs perfectly. And that's why we've developed a whole range of accessories to enhance your A4, enabling you to customise it down to the last detail. Like your Audi, all these accessories are developed to the highest possible standards. They're all available exclusively from Audi.

To find out more, just visit audi.co.uk/accessories or contact your local Audi Centre.

Warranty

All the accessories available on the A4 are covered by a three-year warranty* if they are ordered and included in the purchase price of the car at date of delivery. Any accessories ordered and installed after delivery include a two-year warranty.*

*Excluding Road Angel products.
Audi Accessories warranty terms and conditions can be found at audi.co.uk



Merchandise

From the enthusiasts' motorsport collection to the sophisticated Audi collection, there's a wide variety of adults' and children's clothing, lifestyle accessories and collectables, all of which bear the Audi name.

Please speak to a member of our team at your local Audi Centre to see the full Audi collection and to place an order. A selection of Audi merchandise is also available to buy from audi.co.uk/merchandise



The Audi Difference

The experts in Vorsprung durch Technik

Our Audi Approved Master Technicians have undergone an impressive 100,000 hours of training over a 10-year programme to ensure they have the latest technical expertise for maintaining and servicing your Audi. All our Service Advisors undergo a specialist induction and training to ensure they are Audi professionals and able to talk to you about any issues you may have with your Audi vehicle.

Servicing tailored to your needs

Regular servicing is key to safeguarding your Audi's performance and a full Audi service history could help you enhance the future re-sale value. To make servicing easy, the Audi Service Schedules have been designed to work with your individual driving style and vehicle.

We offer two different schedules: the fixed Inspection Service and the Flexible Service schedule. The conventional fixed Inspection Service schedule has fixed intervals for the Oil-change Service and Inspection Service, which are determined by time and distance.

With the Flexible Service schedule, the Inspection Service intervals are also fixed but the Oil-change Service intervals are variable. Sensors take account of driving style and conditions to determine when the Oil-change Service is required and the driver is informed via the on-board service interval display.

The choice of Service Schedule will depend on journey type and mileage as well as individual driving style and conditions. The table to the right can be used for guidance but your Audi Centre will help you to determine the most suitable Service Schedule for you based on your individual circumstances and preferences.

Fixed Inspection Service Schedule

	Vehicle usage:
Mileage	Less than 10,000 miles per annum Mainly city/town centre driving. Short journeys.
	Service intervals:
Oil-change Service	Fixed to every 9,000+ miles/1 year
Inspection Service	Fixed to every 19,000+ miles/2 years

Flexible Service Schedule

	Vehicle usage:
Mileage	More than 10,000 miles per annum Motorway and main road driving. Mainly longer distance journeys. Constant speeds.
	Service intervals:
Oil-change Service	Variable to a maximum of every 19,000+ miles/2 years
Inspection Service	Fixed to every 19,000+ miles/2 years

When a vehicle is frequently used in the following conditions, we recommend a Fixed Inspection Service Schedule, regardless of mileage:

Uneconomical driving styles, e.g. heavy acceleration and braking, constant use of high revs
High engine-loading conditions, e.g. frequent towing and hill climbs

*As indicated by the service interval display. Mileages are approximate as the Service Indicator system uses kilometres as its distance measurement.

Your convenience comes first

At Audi you can choose from a range of convenient services that suit your needs. Why not book a 'service while you wait' appointment* and enjoy our complimentary refreshments while your car is with us? Or, if you need to be mobile, take advantage of one of our courtesy cars which we can even deliver to you.* We guarantee we can service your Audi within 5 days without a courtesy car or within 10 days if you need transport. We will also ensure your car is returned to you with a full valet.

Audi Genuine Parts

You can rest assured that only Audi Genuine Parts will be used on your vehicle. What's more, Audi parts and labour come with a 2-year guarantee.**

No hidden costs

We believe strongly in transparency when it comes to our prices. For added peace of mind, we will give you a quotation over the phone for the work you have requested and email you the price confirmation. We'll consult you if any additional work on your car is needed when it is with us. We won't carry out any extra work without asking your permission first.

All part of the service

Whenever we see an Audi for a service, we connect it directly to our headquarters in Ingolstadt which enables us to check your car's software and make sure it's as up-to-date as possible. If the factory has released a software upgrade for your model, it can be applied immediately - improving anything from your car's efficiency to the precision of its parking system.

Audi Roadside Assistance

Your new car comes complete with 3 years' complimentary roadside assistance and recovery across the UK, provided by Automobile Association Insurance Services Limited. Also included is roadside assistance throughout Europe, managed by Automobile Association Insurance Services Limited.

For further information and terms and conditions please visit audi.co.uk

*Subject to availability.
**Excludes wear and tear.



A4 Saloon Petrol technical data

Engine	1.8 TFSI	1.8 TFSI	1.8 TFSI	2.0 TFSI quattro	S4 quattro
Transmission	6-speed manual	6-speed manual	multitronic	7-speed S tronic	7-speed S tronic
Cylinder	4-cylinder	4-cylinder	4-cylinder	4-cylinder	6-cylinder
Displacement, cubic cm (valves per cylinder)	1798	1798	1798	1984	2995
Max. power, ¹ PS at rpm	120/3650-6200	170/3800-6200	170/3800-6200	225/4500-6250	333/5500-6500
Max. torque, Nm at rpm	230/1500-3650	320/1400-3700	320/1400-3700	350/1500-4500	440/2900-5300
Top speed, mph	129	143	140	155*	155*
0-62mph acceleration, seconds	10.5	8.1	8.3	6.4	5.0
CO ₂ emissions, ² g/km	151	134	134	155	178
Benefit in kind (BIK)%	23%	19%	19%	24%	28%
Fuel consumption, ² mpg (l/100km) Urban	32.8 (8.6)	38.2 (7.4)	40.9 (6.9)	33.2 (8.5)	28.0 (10.1)
Fuel consumption, ² mpg (l/100km) Extra Urban	53.3 (5.3)	58.9 (4.8)	55.4 (5.1)	50.4 (5.6)	45.6 (6.2)
Fuel consumption, ² mpg (l/100km) Combined	43.5 (6.5)	49.6 (5.7)	48.7 (5.8)	42.2 (6.7)	36.7 (7.7)
ABI insurance group**	19	26	26	33	36
Unladen weight, ³ kg	1430	1430	1470	1570	1705
Gross weight limit, kg	1980	1980	2020	2120	2255
Roof load limit/nose weight, kg	90/80	90/80	90/80	90/80	90/80
Max trailer load unbraked, ⁴ kg	750	750	750	750	750
Max trailer load with 12% gradient, ⁴ kg	1300	1500	1500	1700	1900
Max trailer load with 8% gradient, ⁴ kg	1500	1700	1700	1900	2100
Luggage compartment capacity, litres, seats folded up/down	480/962	480/962	480/962	480/962	480/962
Fuel tank capacity approx, litres	63	63	63	61	61
Emission standard	EU5	EU6	EU6	EU6	EU6

*Electronically limited.

**Highest insurance group rating shown. Group may be lower dependent on trim level. Please visit www.thatcham.org/abigrouprating for details.

¹The given value was obtained in accordance with the specified measurement procedure (the respective current version of the Directive 80/1269/EEC).

²Fuel consumption and CO₂ emissions figures are obtained under standardised test conditions (Directive 93/116/EEC) using a representative model. This allows direct comparison between different models from different manufacturers, but may not represent the actual fuel consumption achieved in 'real world' driving conditions. More information is available at www.dft.gov.uk/vca

³Vehicle's unladen weight without driver (calculated in accordance with the current version of Directive 80/1268/EEC). The fitting of additional equipment may increase the vehicle's unladen weight and drag coefficient, whereupon the potential carrying capacity and top speed will be correspondingly reduced.

⁴The engine's power output always goes down with increasing altitude. At 1,000m above sea level, and for every additional 1,000m, deduct 10% from the weight of the outfit (trailer load limit + gross weight of the towing vehicle).

A4 Saloon Diesel technical data

Engine	2.0 TDIe	2.0 TDI	2.0 TDI	2.0 TDI ultra
Transmission	6-speed manual	6-speed manual	multitronic	6-speed manual
Cylinder	4-cylinder	4-cylinder	4-cylinder	4-cylinder
Displacement, cubic cm (valves per cylinder)	1968	1968	1968	1968
Max. power, ¹ PS at rpm	136/4200	150/4200	150/4200	163/3000-4200
Max. torque, Nm at rpm	320/1750-2500	320/1750-2500	320/1750-2500	400/1750-2750
Top speed, mph	134	134	130	140
0-62mph acceleration, seconds	9.3	9.2	9.1	8.3
CO ₂ emissions, ² g/km	112	119	127	109
Benefit in kind (BIK)%	18%	19%	21%	17%
Fuel consumption, ² mpg (l/100km) Urban	54.3 (5.2)	52.3 (5.4)	49.6 (5.7)	56.5 (5.0)
Fuel consumption, ² mpg (l/100km) Extra Urban	76.3 (3.7)	70.6 (4.0)	64.2 (4.4)	74.3 (3.8)
Fuel consumption, ² mpg (l/100km) Combined	65.7 (4.3)	62.8 (4.5)	58.9 (4.8)	67.3 (4.2)
ABI insurance group*	23	24	24	TBC
Unladen weight, ³ kg	1475	1480	1515	1540
Gross weight limit, kg	2025	2030	2065	2090
Roof load limit/nose weight, kg	90/80	90/80	90/80	90/80
Max trailer load unbraked, ⁴ kg	750	750	750	750
Max trailer load with 12% gradient, ⁴ kg	1300	1600	1700	1300
Max trailer load with 8% gradient, ⁴ kg	1500	1800	1900	1500
Luggage compartment capacity, litres, seats folded up/down	480/962	480/962	480/962	480/962
Fuel tank capacity approx, litres	63	63	63	63
Emission standard	EU5	EU5	EU5	EU6

*Highest insurance group rating shown. Group may be lower dependent on trim level. Please visit www.thatcham.org/abigrouprating for details.

¹The given value was obtained in accordance with the specified measurement procedure (the respective current version of the Directive 80/1269/EEC).

²Fuel consumption and CO₂ emissions figures are obtained under standardised test conditions (Directive 93/116/EEC) using a representative model. This allows direct comparison between different models from different manufacturers, but may not represent the actual fuel consumption achieved in 'real world' driving conditions. More information is available at www.dft.gov.uk/vca

³Vehicle's unladen weight without driver (calculated in accordance with the current version of Directive 80/1268/EEC). The fitting of additional equipment may increase the vehicle's unladen weight and drag coefficient, whereupon the potential carrying capacity and top speed will be correspondingly reduced.

⁴The engine's power output always goes down with increasing altitude. At 1,000m above sea level, and for every additional 1,000m, deduct 10% from the weight of the outfit (trailer load limit + gross weight of the towing vehicle).

A4 Saloon Diesel technical data

Engine	2.0 TDI	2.0 TDI	2.0 TDI quattro	2.0 TDI quattro	3.0 TDI quattro
Transmission	6-speed manual	multitronic	6-speed manual	7-speed S tronic	7-speed S tronic
Cylinder	4-cylinder	4-cylinder	4-cylinder	4-cylinder	6-cylinder
Displacement, cubic cm (valves per cylinder)	1968	1969	1968	1968	2967
Max. power, ¹ PS at rpm	177/4200	177/4200	177/4200	177/4200	245/4000-4500
Max. torque, Nm at rpm	380/1750-2500	380/1750-2500	380/1750-2500	380/1750-2500	500/1400-3250
Top speed, mph	143	138	142	140	155*
0-62mph acceleration, seconds	8.2	7.9	7.8	7.9	5.9
CO ₂ emissions, ² g/km	120	127	134	139	149
Benefit in kind (BIK)%	20%	21%	22%	23%	25%
Fuel consumption, ² mpg (l/100km) Urban	51.4 (5.5)	49.6 (5.7)	46.3 (6.1)	44.1 (6.4)	41.5 (6.8)
Fuel consumption, ² mpg (l/100km) Extra Urban	68.9 (4.1)	64.2 (4.4)	62.8 (4.5)	60.1 (4.7)	56.5 (5.0)
Fuel consumption, ² mpg (l/100km) Combined	61.4 (4.6)	58.9 (4.8)	55.4 (5.1)	53.3 (5.3)	49.6 (5.7)
ABI insurance group**	28	28	28	28	34
Unladen weight, ³ kg	1480	1520	1565	1595	1680
Gross weight limit, kg	2030	2070	2115	1670	2230
Roof load limit/nose weight, kg	90/80	90/80	90/80	90/80	90/80
Max trailer load unbraked, ⁴ kg	750	750	750	750	750
Max trailer load with 12% gradient, ⁴ kg	1600	1700	1600	1700	1900
Max trailer load with 8% gradient, ⁴ kg	1800	1900	1800	1900	2100
Luggage compartment capacity, litres, seats folded up/down	480/962	480/962	480/962	480/962	480/962
Fuel tank capacity approx, litres	63	63	61	61	61
Emission standard	EU5	EU5	EU5	EU5	EU5

*Electronically limited.

**Highest insurance group rating shown. Group may be lower dependent on trim level. Please visit www.thatcham.org/abigrouprating for details.

¹The given value was obtained in accordance with the specified measurement procedure (the respective current version of the Directive 80/1269/EEC).

²Fuel consumption and CO₂ emissions figures are obtained under standardised test conditions (Directive 93/116/EEC) using a representative model. This allows direct comparison between different models from different manufacturers, but may not represent the actual fuel consumption achieved in 'real world' driving conditions. More information is available at www.dft.gov.uk/vca

³Vehicle's unladen weight without driver (calculated in accordance with the current version of Directive 80/1268/EEC). The fitting of additional equipment may increase the vehicle's unladen weight and drag coefficient, whereupon the potential carrying capacity and top speed will be correspondingly reduced.

⁴The engine's power output always goes down with increasing altitude. At 1,000m above sea level, and for every additional 1,000m, deduct 10% from the weight of the outfit (trailer load limit + gross weight of the towing vehicle).

A4 Avant

Petrol

technical data

Engine	1.8 TFSI	1.8 TFSI	1.8 TFSI	2.0 TFSI quattro	S4 quattro
Transmission	6-speed manual	6-speed manual	multitronic	7-speed S tronic	7-speed S tronic
Cylinder	4-cylinder	4-cylinder	4-cylinder	4-cylinder	6-cylinder
Displacement, cubic cm (valves per cylinder)	1798	1798	1798	1984	2995
Max. power, ¹ PS at rpm	120/3800-6200	170/3800-6200	170/3800-6200	225/4300-6250	333/5500-6500
Max. torque, Nm at rpm	230/1500-3650	320/1400-3700	320/1400-3700	350/1500-4500	440/2900-5300
Top speed, mph	124	138	134	149	155*
0-62mph acceleration, seconds	10.8	8.3	8.4	6.5	5.1
CO ₂ emissions, ² g/km	154	141	139	159	180
Benefit in kind (BIK)%	23%	21%	20%	24%	29%
Fuel consumption, ² mpg (l/100km) Urban	32.8 (8.6)	36.7 (7.7)	40.4 (7.0)	32.8 (8.6)	28.0 (10.1)
Fuel consumption, ² mpg (l/100km) Extra Urban	51.4 (5.5)	54.3 (5.2)	52.3 (5.4)	47.9 (5.9)	44.1 (6.4)
Fuel consumption, ² mpg (l/100km) Combined	42.8 (6.6)	46.3 (6.1)	47.1 (6.0)	40.9 (6.9)	36.2 (7.8)
ABI insurance group**	19	26	26	33	36
Unladen weight, ³ kg	1490	1490	1530	1610	1750
Gross weight limit, kg	2060	2060	2100	2180	2320
Roof load limit/nose weight, kg	90/80	90/80	90/80	90/80	90/80
Max trailer load unbraked, ⁴ kg	750	750	750	750	750
Max trailer load with 12% gradient, ⁴ kg	1300	1500	1500	1700	1900
Max trailer load with 8% gradient, ⁴ kg	1500	1700	1700	1900	2100
Luggage compartment capacity, litres, seats folded up/down	490/1430	490/1430	490/1430	490/1430	490/1430
Fuel tank capacity approx, litres	63	63	63	61	61
Emission standard	EU5	EU6	EU6	EU6	EU6

*Electronically limited.

**Highest insurance group rating shown. Group may be lower dependent on trim level. Please visit www.thatcham.org/abigrouprating for details.

¹The given value was obtained in accordance with the specified measurement procedure (the respective current version of the Directive 80/1269/EEC).

²Fuel consumption and CO₂ emissions figures are obtained under standardised test conditions (Directive 93/116/EEC) using a representative model. This allows direct comparison between different models from different manufacturers, but may not represent the actual fuel consumption achieved in 'real world' driving conditions. More information is available at www.dft.gov.uk/vca

³Vehicle's unladen weight without driver (calculated in accordance with the current version of Directive 80/1268/EEC). The fitting of additional equipment may increase the vehicle's unladen weight and drag coefficient, whereupon the potential carrying capacity and top speed will be correspondingly reduced.

⁴The engine's power output always goes down with increasing altitude. At 1,000m above sea level, and for every additional 1,000m, deduct 10% from the weight of the outfit (trailer load limit + gross weight of the towing vehicle).

A4 Avant Diesel technical data

Engine	2.0 TDIe	2.0 TDI	2.0 TDI	2.0 TDI ultra
Transmission	6-speed manual	6-speed manual	multitronic	6-speed manual
Cylinder	4-cylinder	4-cylinder	4-cylinder	4-cylinder
Displacement, cubic cm (valves per cylinder)	1968	1968	1968	1968
Max. power, ¹ PS at rpm	136/4200	150/4200	150/4200	163/3000-4200
Max. torque, Nm at rpm	320/1750/2500	320/1750-2500	320/1750-2500	400/1750-2750
Top speed, mph	129	129	124	134
0-62mph acceleration, seconds	9.6	9.5	9.5	8.6
CO ₂ emissions, ² g/km	116	124	129	114
Benefit in kind (BIK)%	19%	20%	21%	18%
Fuel consumption ² , mpg (l/100km) Urban	53.3 (5.3)	50.4 (5.6)	50.4 (5.6)	55.4 (5.1)
Fuel consumption ² , mpg (l/100km) Extra Urban	72.4 (3.9)	67.3 (4.2)	62.8 (4.5)	70.6 (4.0)
Fuel consumption ² , mpg (l/100km) Combined	64.2 (4.4)	60.1 (4.7)	57.6 (4.9)	64.2 (4.4)
ABI insurance group*	23	24	24	TBC
Unladen weight, ³ kg	1535	1535	1575	1600
Gross weight limit, kg	2105	2105	2145	2170
Roof load limit/nose weight, kg	90/80	90/80	90/80	90/80
Max trailer load unbraked, ⁴ kg	750	750	750	750
Max trailer load with 12% gradient, ⁴ kg	1300	1600	1700	1300
Max trailer load with 8% gradient, ⁴ kg	1500	1800	1900	1500
Luggage compartment capacity, litres, seats folded up/down	490/1430	490/1430	490/1430	490/1430
Fuel tank capacity approx, litres	63	63	63	63
Emission standard	EU5	EU5	EU5	EU6

*Highest insurance group rating shown. Group may be lower dependent on trim level. Please visit www.thatcham.org/abigrouprating for details.

¹The given value was obtained in accordance with the specified measurement procedure (the respective current version of the Directive 80/1269/EEC).

²Fuel consumption and CO₂ emissions figures are obtained under standardised test conditions (Directive 93/116/EEC) using a representative model. This allows direct comparison between different models from different manufacturers, but may not represent the actual fuel consumption achieved in 'real world' driving conditions. More information is available at www.dft.gov.uk/vca

³Vehicle's unladen weight without driver (calculated in accordance with the current version of Directive 80/1268/EEC). The fitting of additional equipment may increase the vehicle's unladen weight and drag coefficient, whereupon the potential carrying capacity and top speed will be correspondingly reduced.

⁴The engine's power output always goes down with increasing altitude. At 1,000m above sea level, and for every additional 1,000m, deduct 10% from the weight of the outfit (trailer load limit + gross weight of the towing vehicle).

A4 Avant Diesel technical data

Engine	2.0 TDI	2.0 TDI	2.0 TDI quattro	2.0 TDI quattro	3.0 TDI quattro
Transmission	6-speed manual	multitronic	6-speed manual	7-speed S tronic	7-speed S tronic
Cylinder	4-cylinder	4-cylinder	4-cylinder	4-cylinder	6-cylinder
Displacement, cubic cm (valves per cylinder)	1968	1969	1968	1968	2967
Max. power ¹ , PS at rpm	177/4200	177/4201	177/4200	177/4200	245/4000-4500
Max. torque, Nm at rpm	380/1750-2500	380/1750-2500	380/1750-2500	380/1750-2500	500/1400-3250
Top speed, mph	138	131	138	135	155*
0-62mph acceleration, seconds	8.4	8.1	7.9	8.0	6.1
CO ₂ emissions ² , g/km	126	129	139	144	154
Benefit in kind (BIK)%	21%	21%	23%	24%	26%
Fuel consumption ² , mpg (l/100km) Urban	49.6 (5.7)	50.4 (5.6)	44.8 (6.3)	43.5 (6.5)	40.4 (7.0)
Fuel consumption ² , mpg (l/100km) Extra Urban	65.7 (4.3)	62.8 (4.5)	60.1 (4.7)	57.6 (4.9)	54.3 (5.2)
Fuel consumption ² , mpg (l/100km) Combined	58.9 (4.8)	57.6 (4.9)	53.3 (5.3)	51.4 (5.5)	47.9 (5.9)
ABI insurance group**	28	28	28	28	34
Unladen weight ³ , kg	1535	1575	1605	1640	1725
Gross weight limit, kg	2105	2145	2175	1715	2295
Roof load limit/nose weight, kg	90/80	90/80	90/80	90/80	90/80
Max trailer load unbraked ⁴ , kg	750	750	750	750	750
Max trailer load with 12% gradient ⁴ , kg	1600	1700	1600	1700	1900
Max trailer load with 8% gradient ⁴ , kg	1800	1900	1800	1900	2100
Luggage compartment capacity, litres, seats folded up/down	490/1430	490/1430	490/1430	490/1430	490/1430
Fuel tank capacity approx, litres	63	63	61	61	61
Emission standard	EU5	EU5	EU5	EU5	EU5

*Electronically limited.

**Highest insurance group rating shown. Group may be lower dependent on trim level. Please visit www.thatcham.org/abigrouprating for details.

¹The given value was obtained in accordance with the specified measurement procedure (the respective current version of the Directive 80/1269/EEC).

²Fuel consumption and CO₂ emissions figures are obtained under standardised test conditions (Directive 93/116/EEC) using a representative model. This allows direct comparison between different models from different manufacturers, but may not represent the actual fuel consumption achieved in 'real world' driving conditions. More information is available at www.dft.gov.uk/vca

³Vehicle's unladen weight without driver (calculated in accordance with the current version of Directive 80/1268/EEC). The fitting of additional equipment may increase the vehicle's unladen weight and drag coefficient, whereupon the potential carrying capacity and top speed will be correspondingly reduced.

⁴The engine's power output always goes down with increasing altitude. At 1,000m above sea level, and for every additional 1,000m, deduct 10% from the weight of the outfit (trailer load limit + gross weight of the towing vehicle).

A4 allroad technical data

Engine	Petrol		Diesel	
	2.0 TFSI quattro	2.0 TDI quattro	2.0 TDI quattro	3.0 TDI quattro
Transmission	7-speed S tronic	6-speed manual	7-speed S tronic	7-speed S tronic
Cylinder	4-cylinder	4-cylinder	4-cylinder	6-cylinder
Displacement, cubic cm (valves per cylinder)	1984	1968	1968	2967
Max. power, ¹ PS at rpm	225/4500-6250	177/4200	177/4200	245/4000-4500
Max. torque, Nm at rpm	350/1500-4500	380/1750-2500	380/1750-2500	500/1400-3250
Top speed, mph	145	134	130	149
0-62mph acceleration, seconds	6.7	8.2	8.1	6.2
CO ₂ emissions, ² g/km	164	153	156	161
Benefit in kind (BIK)%	25%	26%	27%	28%
Fuel consumption, ² mpg (l/100km) Urban	32.8 (8.6)	40.9 (6.9)	40.4 (7.0)	39.2 (7.2)
Fuel consumption, ² mpg (l/100km) Extra Urban	46.3 (6.1)	53.3 (5.3)	52.3 (5.4)	51.4 (5.5)
Fuel consumption, ² mpg (l/100km) Combined	39.8 (7.1)	48.7 (5.8)	47.1 (6.0)	45.6 (6.2)
ABI insurance group*	33	27	27	33
Unladen weight, ³ kg	1650	1630	1670	1750
Gross weight limit, kg	2220	2200	2240	2320
Roof load limit/nose weight, kg	90/80	90/80	90/80	90/80
Max trailer load unbraked, ⁴ kg	750	750	750	750
Max trailer load with 12% gradient, ⁴ kg	1700	1700	1900	1900
Max trailer load with 8% gradient, ⁴ kg	1900	1970	2100	2100
Luggage compartment capacity, litres, seats folded up/down	490/1430	490/1430	490/1430	490/1430
Fuel tank capacity approx, litres	61	61	61	61
Emission standard	EU6	EUS	EUS	EUS

*Highest insurance group rating shown. Group may be lower dependent on trim level. Please visit www.thatcham.org/abigrouprating for details.

¹The given value was obtained in accordance with the specified measurement procedure (the respective current version of the Directive 80/1269/EEC).

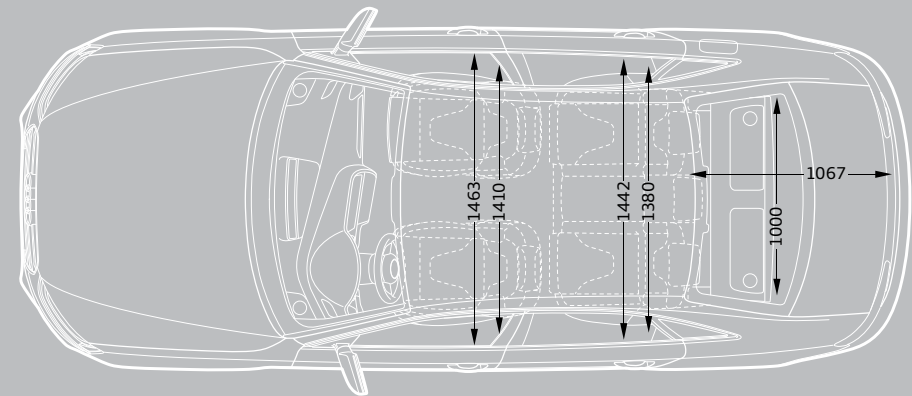
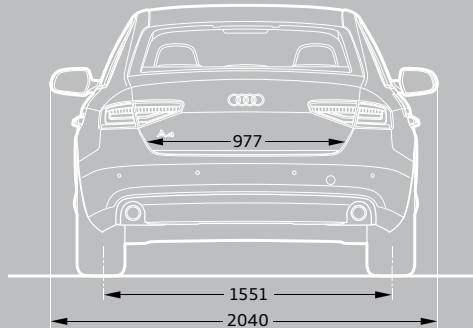
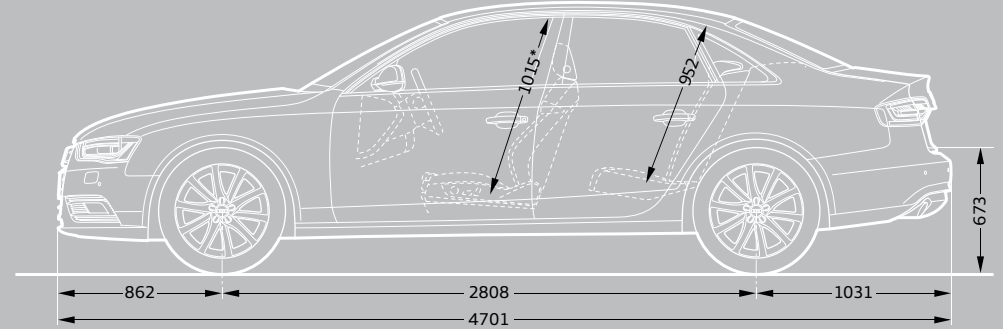
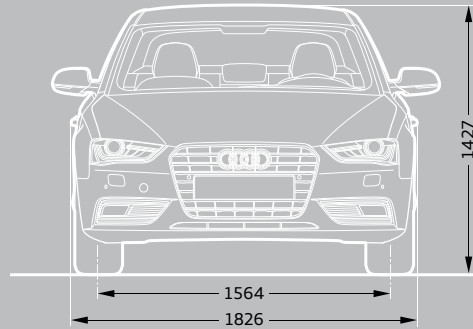
²Fuel consumption and CO₂ emissions figures are obtained under standardised test conditions (Directive 93/116/EEC) using a representative model. This allows direct comparison between different models from different manufacturers, but may not represent the actual fuel consumption achieved in 'real world' driving conditions. More information is available at www.dft.gov.uk/vca

³Vehicle's unladen weight without driver (calculated in accordance with the current version of Directive 80/1268/EEC). The fitting of additional equipment may increase the vehicle's unladen weight and drag coefficient, whereupon the potential carrying capacity and top speed will be correspondingly reduced.

⁴The engine's power output always goes down with increasing altitude. At 1,000m above sea level, and for every additional 1,000m, deduct 10% from the weight of the outfit (trailer load limit + gross weight of the towing vehicle).

A4 Saloon dimensions

The technical drawings opposite show the exact dimensions of the A4 Saloon, so you can check everything – from whether the car will fit in your garage to whether your luggage will fit in the boot.



*Maximum headroom.

Dimensions measured with vehicle at unladen weight, ground clearance measured with vehicle carrying its maximum load.

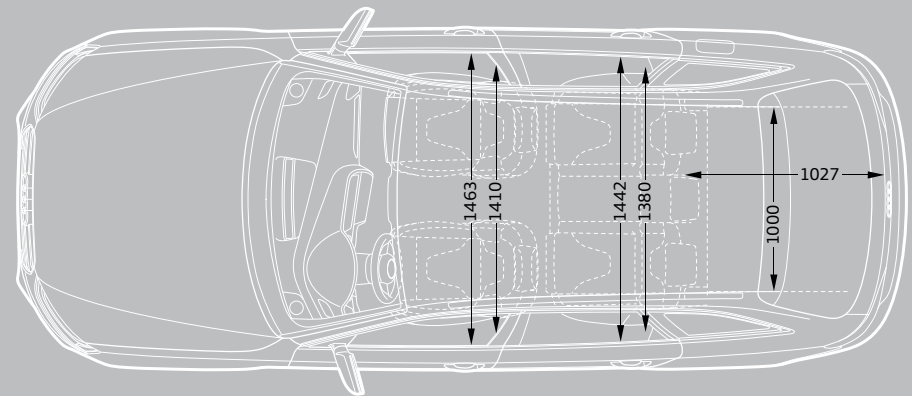
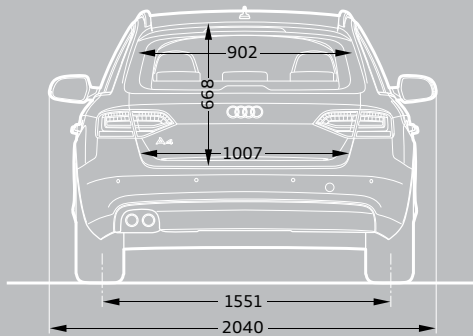
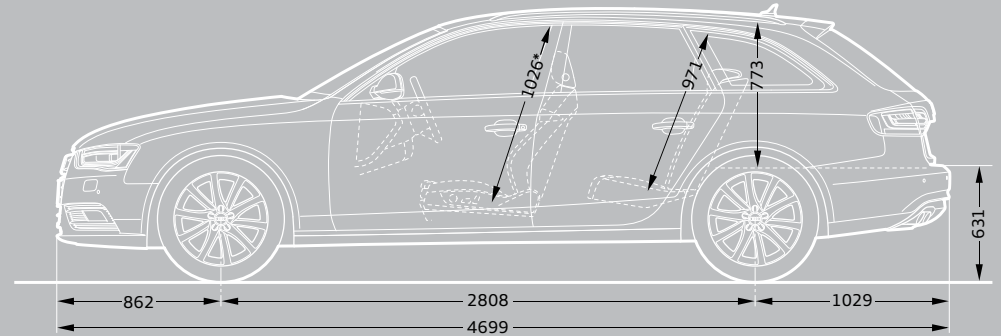
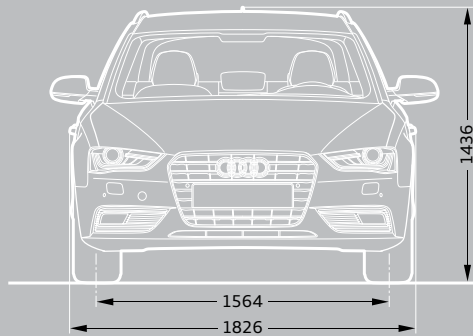
Luggage compartment volume in litres: 480/962 (measured by the VDA standard test method using 200 x 100 x 50mm blocks; second value: with rear seat folded down).

Turning circle approx 11.4m.

Dimensions in millimetres.

A4 Avant dimensions

The technical drawings opposite show the exact dimensions of the A4 Avant, so you can check everything – from whether the car will fit in your garage to whether your luggage will fit in the boot.



*Maximum headroom.

Dimensions measured with vehicle at unladen weight, ground clearance measured with vehicle carrying its maximum load.

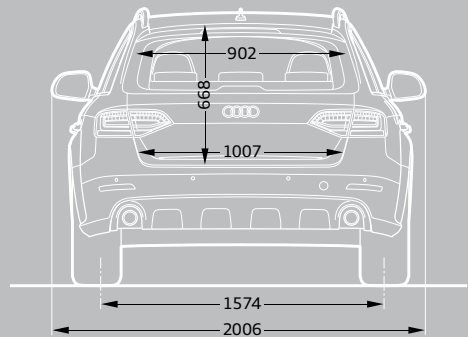
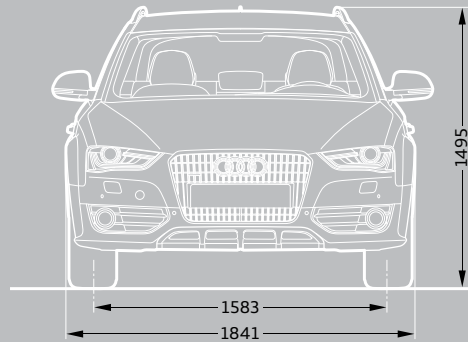
Luggage compartment volume in litres: 490/1430 (measured by the VDA standard test method using 200 x 100 x 50mm blocks; second value: with rear seat folded down).

Turning circle approx 11.4m.

Dimensions in millimetres.

A4 allroad dimensions

The technical drawings opposite show the exact dimensions of the A4 allroad, so you can check everything – from whether the car will fit in your garage to whether your luggage will fit in the boot.



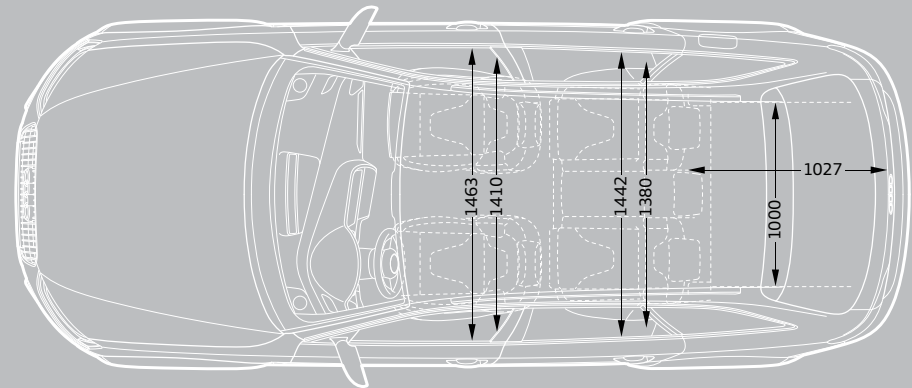
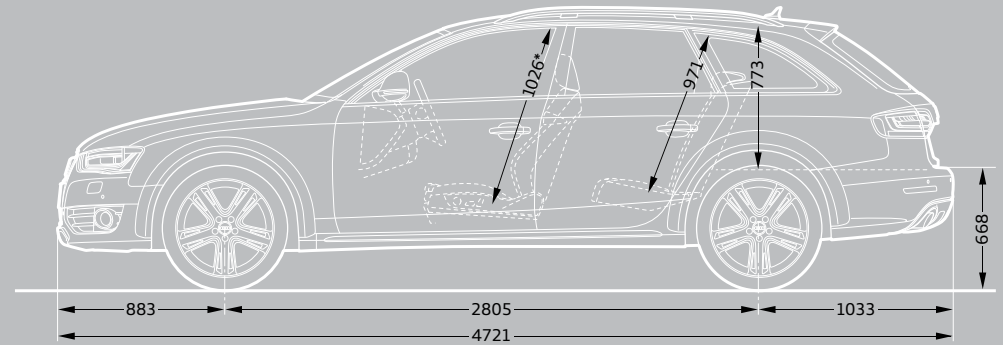
*Maximum headroom.

Dimensions measured with vehicle at unladen weight, ground clearance measured with vehicle carrying its maximum load.

Luggage compartment volume in litres: 490/1430 (measured by the VDA standard test method using 200 x 100 x 50mm blocks; second value: with rear seat folded down).

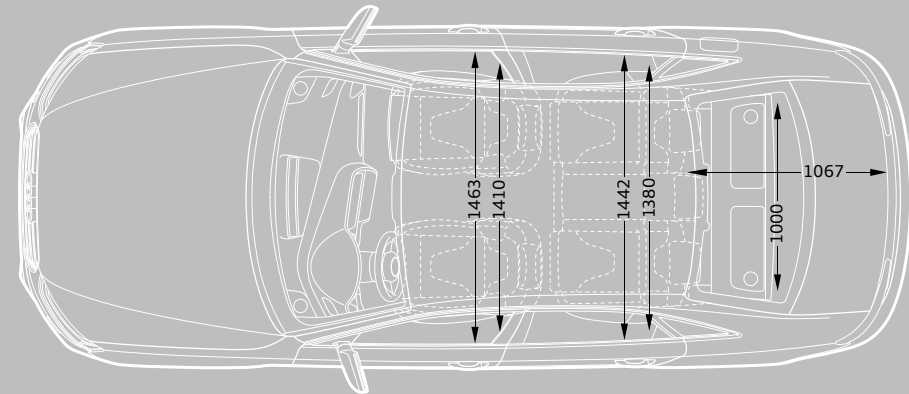
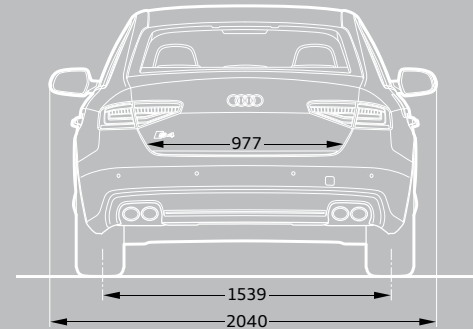
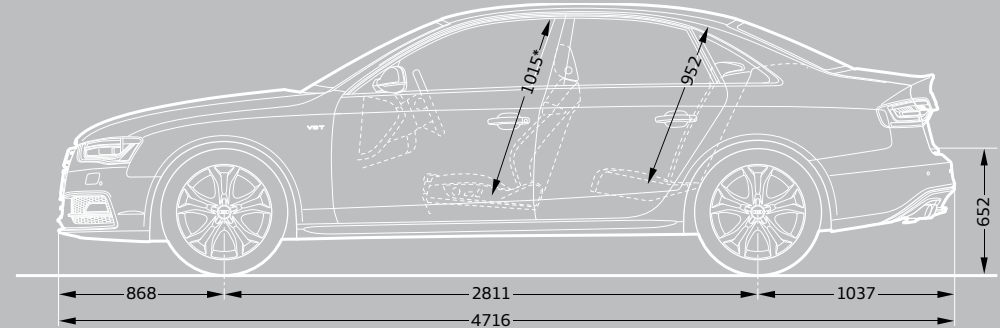
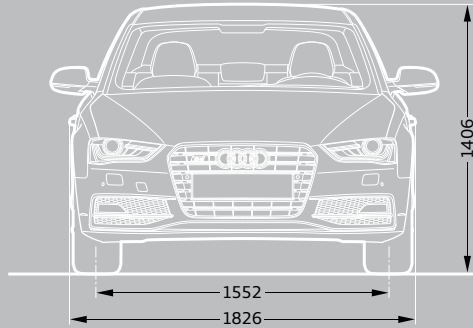
Turning circle approx 11.4m.

Dimensions in millimetres.



S4 quattro Saloon dimensions

The technical drawings opposite show the exact dimensions of the S4 quattro Saloon, so you can check everything – from whether the car will fit in your garage to whether your luggage will fit in the boot.



*Maximum headroom.

Dimensions measured with vehicle at unladen weight, ground clearance measured with vehicle carrying its maximum load.

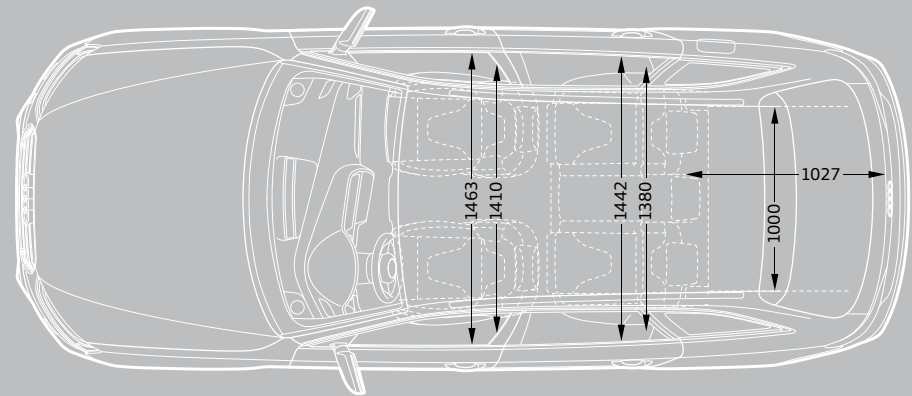
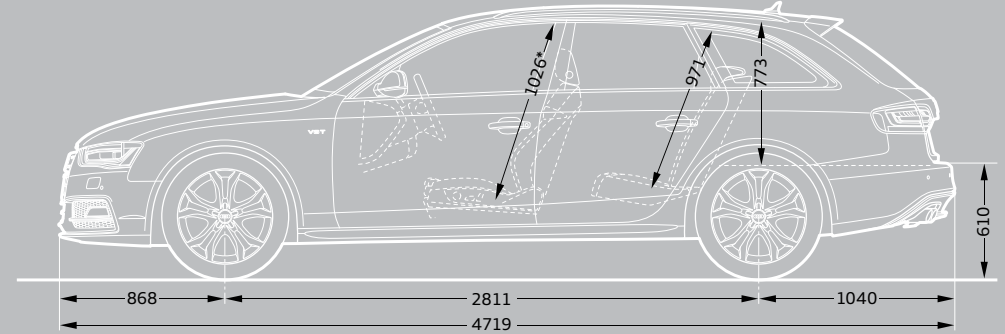
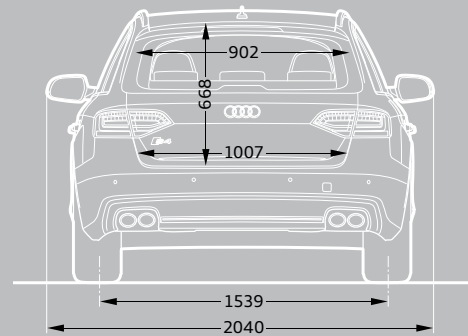
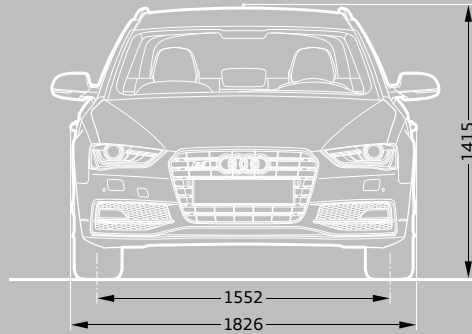
Luggage compartment volume in litres: 480/962 (measured by the VDA standard test method using 200 x 100 x 50mm blocks; second value: with rear seat folded down).

Turning circle approx 11.4m.

Dimensions in millimetres.

S4 quattro Avant dimensions

The technical drawings opposite show the exact dimensions of the S4 quattro Avant, so you can check everything – from whether the car will fit in your garage to whether your luggage will fit in the boot.



*Maximum headroom.

Dimensions measured with vehicle at unladen weight, ground clearance measured with vehicle carrying its maximum load.

Luggage compartment volume in litres: 490/1430 (measured by the VDA standard test method using 200 x 100 x 50mm blocks; second value: with rear seat folded down).

Turning circle approx 11.4m.

Dimensions in millimetres.

Pricing and Additional information

Welcome to Audi

By placing an order for your Audi, you're choosing to get behind the wheel of one of the most sophisticated cars on the road. And because we believe the service we offer should be just as advanced, we want to let you know exactly what you can expect from us, now and in the future.

We've agreed a set of standards with all our Centres which governs the way we do business with you. It outlines the kind of service we promise to deliver for every customer, right down to filling each new Audi we sell with half a tank of fuel.

So whether you're interested in the date your car will arrive in the UK or the way we'll dispose of non-biodegradable materials after we service your Audi, you can have total confidence in us.

Audi Promise

Audi Centres

We guarantee that all our Centres will be open as follows:

Sales: Monday to Friday 9am–6pm
Saturday 9am–5pm

Service: Monday to Friday 8am–6pm
Saturday 8.30am–1pm

Sunday opening is at local discretion.

New car delivery

Once we've confirmed a delivery date for your car, we'll keep you informed of progress. Subject to reasonable notice, we'll then deliver it to a place of your choice, whether that's your home or work. In the unlikely event of a delay, we'll provide a courtesy car to minimise inconvenience and keep you mobile.

Environmental commitment

We promise to dispose of all non-biodegradable materials from your vehicle in a responsible manner.

Pricing

Prices and specifications given are correct at the time of printing. Always check details with your Audi Centre as Audi policies are continually developing. We reserve the right to change prices or specifications at any time.

All prices are subject to VAT, currently charged at 20%, but this may alter to reflect any change in the applicable VAT rate.

Delivery charges and number plates are not included in the vehicle price.

Delivery charge	£471.66
Number plate	£20.00
VAT	£98.34
Total	£590.00

Audi Customer Care

Every new Audi benefits from the comprehensive Audi Customer Care Package, which comprises:

- ▶ A 3-year Audi warranty, which covers you for unlimited mileage in the first 2 years of ownership, with a full mechanical and electrical warranty which covers you for up to 60,000 miles in the 3rd year
- ▶ A 3-year paint warranty
- ▶ A 12-year anti-corrosion warranty
- ▶ 3 years' UK roadside assistance and recovery

You also have the option when ordering your new car of choosing a 4-year or 5-year Audi warranty. Speak to a member of the sales team for more information.

Audi tax-free sales

If you are entitled to purchase a vehicle free of VAT, normally through military or diplomatic privilege, please contact your local Audi Centre for full details.

Should you have any difficulty obtaining the information you require, please call 01908 548 356.

Audi Finance

Audi Finance specialises in providing funding solutions for Audi drivers. Whether your Audi is for private or business use, there is a range of funding options to choose from.

Below is the full range of finance products, which comprises:

- ▶ Solutions – a Personal Contract Plan
- ▶ Hire purchase
- ▶ Lease purchase
- ▶ Finance lease
- ▶ Contract hire

With all products, you can choose a fixed-cost maintenance plan designed to help you budget accurately.

No matter which Audi model you choose, your local Audi Centre can provide you with a personalised quote designed to fit your budget and motoring needs.

Audi Finance is a trading name of Volkswagen Financial Services (UK) Limited. An offer of finance depends on certain conditions. Available to people over 18 in the UK only.

Audi Insurance

We want you to start enjoying your new car from day one and thanks to Audi Insurance complimentary 7-day cover, you can. Call free on 0800 316 7893 (lines are open Monday to Friday 8am–9pm, and Saturday 9am–5pm), provide a few details and a cover note will be sent to your Audi Centre. They will then tax your car and you can drive it away.

Additional information

CO₂ data and information

CO₂ emissions-based Vehicle Excise Duty

Vehicle Excise Duty (Road Fund Licence) is based upon the amount of Carbon Dioxide (CO₂) a vehicle emits, measured in grams per kilometre (g/km). First year VED rates apply to the first year of ownership. Annual VED rates apply thereafter. The DVLA has created thirteen categories:

Petrol and Diesel engines	First year	Annual rate (second year onwards)
A – up to 100g/km	£0.00	£0.00
B – 101 to 110g/km	£0.00	£20.00
C – 111 to 120g/km	£0.00	£30.00
D – 121 to 130g/km	£0.00	£110.00
E – 131 to 140g/km	£130.00	£130.00
F – 141 to 150g/km	£145.00	£145.00
G – 151 to 165g/km	£180.00	£180.00
H – 166 to 175g/km	£290.00	£205.00
I – 176 to 185g/km	£345.00	£225.00
J – 186 to 200g/km	£485.00	£265.00
K – 201 to 225g/km	£635.00	£285.00
L – 226 to 255g/km	£860.00	£485.00
M – over 255g/km	£1,090.00	£500.00

Vehicle Excise Duty (VED) rates correct at time of going to print, but these may alter to reflect any change in the applicable VED rate.







Audi UK

Customer Services
Selectapost 29
Sheffield
S97 3FG
0800 699888
audi.co.uk

Specifications and prices subject
to change without notice.

© Audi UK

Printed in the UK
Edition 5.0 04/14
2015 model year

Images are for illustrative purposes only.

