



The Audi A5 and S5 Cabriolet
Pricing and Specification Guide
Valid from April 2015

Personalising your Audi A5 Cabriolet

This guide has been designed to help you tailor and price your Audi A5 Cabriolet quickly and logically. At the back, you will find information on CO2 emissions-based taxation and the other services offered by Audi, including Finance and Insurance. You can also configure your Audi A5 Cabriolet online at audi.co.uk



Get more from this brochure with the free Audi Vision app.

Audi Vision brings our brochures to life through Augmented Reality. It works by recognising images on a page through your device's camera. Suitable for phones or tablets, download it for free from the App Store or Google Play. Once downloaded, simply open the app and scan the cover of your guide. Then look out for any page with the Audi Vision logo, you can then hold your device over the page and watch as you get exclusive access to extra images, information and video content.



The Audi A5 Cabriolet

Engines	12
Transmissions	13
Efficiency	14
quattro®	16

Model details and prices

SE model equipment	20
S line model equipment	22
S line Special Edition Plus model equipment	24
S5 Cabriolet model equipment	26
Model prices	28

Audi exclusive	30
-----------------------	----

Colour and upholstery

Paint and hoods	34
Upholstery and seats	38
Colour and trim guide	50

Inlays	54
---------------	----

Options

Wheels, tyres and suspension	58
Packages	62
Audio and communication	64
Interior equipment	66
Exterior equipment	68
Safety and security	69
Steering wheels	71

Looking after your Audi

Audi Complete and warranty	72
Accessories	75
Merchandise	76
Audi Difference	77

Technical details

Technical data	78
Dimensions	83
Pricing and Additional information	85





Vorsprung durch Technik

Three words that express the very essence of Audi. Vorsprung durch Technik isn't a slogan. It's our way of seeing the world. It is the driving force behind our history of innovation that continues into the 21st century. Indeed, many technologies that Audi pioneered remain in our cars today. Some are milestones in the history of the motorcar.

From our beginnings in 1899 to the Auto Union team's Grand Prix successes in the 1930s and our more recent wins at Le Mans, we have always been at the forefront of the motor industry.

Vorsprung durch Technik makes us who we are. To see more of its influence, just read on.





The Audi A5 Cabriolet: with technology that makes it ideal for all conditions

Great design tends to get noticed. The shape of the Audi A5 Cabriolet, for example, has probably already caught your attention. But there's another kind of beautiful design in this car that's just as significant: the technology. We've included a fully automatic hood as standard, enabling you to make the most of the sun. There's also optional head-level heating for when it's cold and heat-resistant upholstery for when it's hot. So now there really is no bad weather.









The A5 Cabriolet interior story

We've introduced a number of finishing touches to the Audi A5 Cabriolet interior to make your driving experience both comfortable and unique. You'll find an impressive attention to detail in everything from the Driver's Information System, with energy-saving tips, to the optional luxurious leather seating, which means that every journey you make will be a personal one.

Engines

Petrol

TFSI® direct-injection technology is a unique Audi innovation that includes supercharging, which combines FSI® technology with forced induction – giving cars an extra injection of power and torque. It also delivers enhanced fuel efficiency as precisely the right amount of fuel and air are injected into the combustion chambers, enabling the engine to ‘breathe’ more easily. It results in reduced heat loss and increased output, with around a 15% reduction in fuel consumption and significantly lower exhaust emissions.

Diesel

We introduced TDI® to the roads in 1989, and since then, we’ve continuously refined it, including developing common-rail technology. Under this system, a series of piezo injectors uses electrical charge to precisely control the amount of fuel injected into the engine. As well as reducing noise, this allows combustion to happen at a lower temperature, with less oxygen, which lowers emissions.





Transmissions

multitronic®

Translating a driver's preferences and intentions into road performance, the multitronic® transmission system entertains no compromises – whether in terms of dynamism, convenience or economy. multitronic® automatic transmission is available on models without quattro® permanent all-wheel-drive. A continuously variable transmission, multitronic® can transmit up to 400 Nm of torque and permits an exceptionally wide range of gear ratios. The result is smooth, powerful acceleration and a high level of driving comfort. And thanks to its lightweight design and a number of advanced electronic control systems that monitor gradient, road conditions and the way the driver is using the accelerator pedal, multitronic® also plays an instrumental role in reducing fuel consumption.

S tronic®

Driving is all about thinking ahead, which is just what the S tronic® dual-clutch transmission does. It works almost as two separate systems, one engaging the odd-numbered and the other the even-numbered gears. So when you're accelerating in second, it has third gear waiting for you. And once you make the switch, it's already thinking about fourth. With two clutches working together, you can change gears almost instantly while experiencing smooth, uninterrupted power.

Efficiency

At Audi, doing less is something we're trying to do more of. We're working to use less fuel, release less CO₂ and waste less energy. It's why we've incorporated a number of more efficient technologies into the Audi A5 Cabriolet.

Automatic Start-Stop function

In heavy traffic, your car still uses fuel and releases CO₂, even when it's stationary. The automatic Start-Stop function counteracts this problem by switching off the engine when your car comes to a standstill. As soon as you touch the clutch, the car restarts. In conjunction with TDI® and TFSI®, it helps save up to 0.4 litres of fuel every 100km.

TDI® and TFSI®

Inside the engine of the Audi A5 Cabriolet you'll find the same advanced fuel-injection technology that's driven us to win after win at Le Mans. With TDI® and TFSI®, fuel is injected directly into the engine's chambers so that combustion is timed right down to the millisecond. As a result, waste is minimised and you get the most from every last drop of fuel.



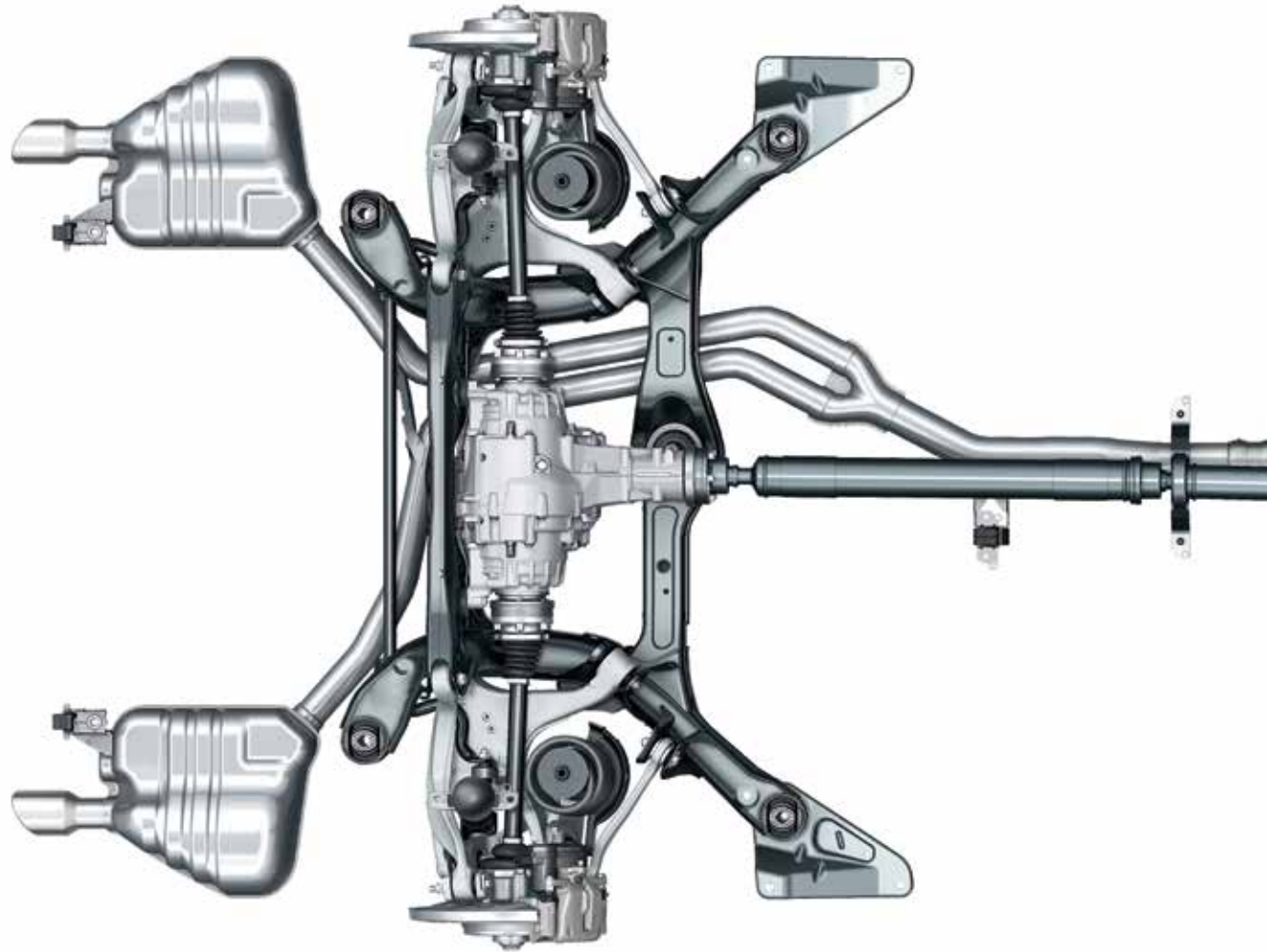


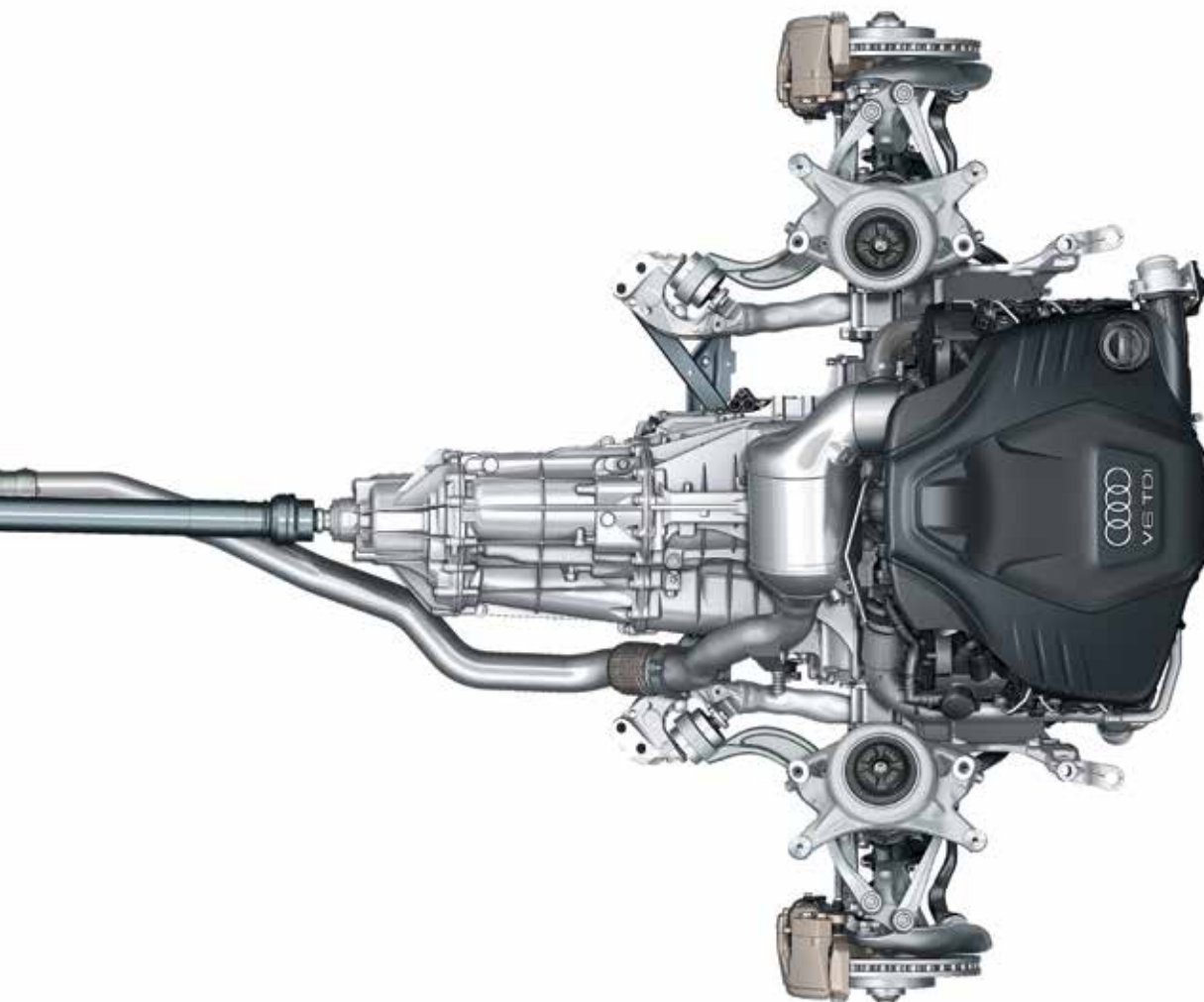
Recuperation

When a vehicle brakes, the discs convert the kinetic energy into thermal energy, which is wasted as it cannot be used. With a recuperation system like the one in the Audi A5 Cabriolet, the kinetic energy is converted into useful electrical energy. The way it works is simple. While the car is coasting or braking, the alternator voltage is raised above the level of the basic electrical system, which enables the alternator to generate electrical energy and store it temporarily in the battery. When the vehicle accelerates, this energy is used to relieve the load on the alternator, resulting in a fuel saving of up to 3%.

quattro®

It's the technology that has given Audi the edge on the rally circuit ever since it was first introduced over 30 years ago – a technology that delivers ultimate control whilst enhancing the sporty characteristics which make the Audi A5 Cabriolet so thrilling to drive. It's called quattro® permanent all-wheel-drive. The principle is simple: in the same way that four brakes ensure better deceleration, four permanently-driven wheels deliver better acceleration and road-holding, pushing or pulling the car as needed, for a driving experience that's both dynamic and safe.





In the Audi A5 Cabriolet, asymmetric dynamic torque distribution continuously distributes drive power between the front and rear axles, depending on weather conditions, road surface and gradient. This leads to greater flexibility and an enhanced, sportier drive.

quattro® with Sports differential

The optional electronically regulated Sports differential distributes variable amounts of drive force to each rear wheel, ensuring outstanding acceleration performance in corners and stabilising the vehicle's response to load change. It also brings better direct steering characteristics and, as it requires less steering effort, more agile handling.





SE model equipment

All Audi A5 Cabriolet models have the following items of standard equipment

Engines

Automatic Start-Stop function for greater fuel and CO₂ efficiency

Recuperation for optimal energy utilisation

Misfuelling inhibition for diesel engines

Diesel particulate filter (DPF) for diesel engines

Wheels, tyres and suspension

17" x 7.5J '5-arm' design alloy wheels with 225/50 R17 tyres

Locking wheel bolts

Space-saver spare wheel

Audio and communication

Audi sound system speaker package with 10 speakers including subwoofer (180 Watts)

Audi Concert radio which includes:

- Single CD drive and SDHC memory card reader which are both MP3, WMA and AAC compatible
- 6.5" colour centre display with MMI operating logic
- AUX-IN connection
- TP memo – automatically saves traffic news when driving

DAB digital radio reception – integrated into MMI, receives digitally transmitted radio stations in addition to the range of analogue stations. Displays music track, artist and radio programme. Capable of 'DAB slideshow' where transmitted. Reception dependent on local digital network. Automatic switch from DAB to FM reception if the network signal is not strong enough

Mobile telephone preparation – Bluetooth interface

Seats

Milano leather upholstery

Split-folding rear seat

Heated front seats – with 3-stage heating control

Safety and security

Light and rain sensor – automatically switches the dipped-beam headlights and windscreen wipers on/off depending on the light and rain conditions. Also includes coming home/leaving home function which delays the deactivation of the front and rear lights after locking and automatic activation of the lights when unlocking

Audi parking system plus – aids parking by acoustically and graphically indicating distances to obstacles in front of and behind your A5 Cabriolet

Electronic Stability Programme (ESP) includes electronic limited-slip differential on front-wheel-drive models

Rest recommendation system – analyses driving behaviour based on steering, pedals and gear lever movements. If the system detects a change in driving patterns it can, via audio and visual effects, notify the driver of the possible need to take a rest

First aid kit

Front and rear fog lights

Front and rear ISOFIX preparation with front passenger airbag de-activation switch

Full-size airbags for driver and passenger

Front side airbags

Halogen headlights with electric headlight range control and daytime-running lights

Thatcham category 1 alarm and immobiliser

Toolkit and car jack

Warning triangle

Tyre pressure loss indicator. Visual and acoustic warning if the pressure drops in one or more tyres



17" x 7.5J '5-arm' design alloy wheels



Audi Concert radio



Audi parking system plus – rear sensor



3-spoke multi-function leather steering wheel

Interior equipment

3-spoke multi-function leather steering wheel (paddle-shift for automatic models)

Deluxe 3-zone climate control with separate air distribution and digital display for driver and front passenger. System includes air-conditioning controls in the rear centre console for rear passenger compartment

Driver's Information System (DIS) in colour with energy-saving tips and rest recommendations. Shows the radio station or track title, telephone control, menu and other display information from the infotainment system such as navigation (if fitted). Also includes an on-board trip computer with short and long-term trip memory, outside temperature display, digital speedometer and door or boot-open warning

Auto-dimming rear view mirror

Cruise control

Front centre armrest including 12V power socket

Wind deflector

Electric front and rear windows

Electromechanical parking brake includes parking brake function when stationary, drive-off assistance function through automatic release when driving away and emergency braking function whilst driving, acting on all 4 wheels

Front and rear floor mats

Interior chrome package

Aluminium Trigon inlays

Steering column adjustment. For rake and reach

Electromechanical power steering

Cup holder in centre console

Exterior equipment

Fully automatic hood (can be operated at speeds up to 31mph)

Exterior mirrors – Electrically operated and heated

Chrome rolled exhaust pipes – 4-cylinder diesel models have two exhaust pipes on the left-hand side, all others have one exhaust pipe on either side

Exterior aluminium package

Single frame front grille



Deluxe 3-zone climate control



Fully automatic hood



Exterior mirrors – electrically operated and heated

S line model equipment

In addition to SE model equipment

Total RRP inc VAT
£3,250.00

Wheels, tyres and suspension

18" x 8.5J '5-double-spoke' design alloy wheels with 245/40 R18 tyres

Sports suspension with stiffer spring settings and shock absorbers, 20mm lower than standard suspension (S line Sports suspension available at no charge)

Interior equipment

3-spoke S line multi-function steering wheel (paddle-shift for automatic models)

Matt-brushed aluminium inlays

Perforated leather gear knob

S line sill plates

Audio and communication

MMI Navigation system plus. Hard disk navigation with topographical map display, places of interest and town models in 3D, with high-resolution 7" colour TFT display. The system offers three alternative routes, with the ability to scroll along the selected route and manoeuvre within the map. Uses 7-digit postcode recognition. Includes split-screen mode for route information, dynamic route guidance (TMC), intersection zoom function, motorway exits and lane recommendations in Driver's Information System (DIS). Includes 2 SD card readers, single CD/DVD player, 40GB hard drive and Jukebox (20GB) for storing and managing music files in WMA and MP3 format. Includes European navigation data (where digitised)

Additional functionality is available when combined with optional Mobile telephone preparation - High with Audi Connect (9ZW). For more details please see option 9ZW, featured in the options section of the guide

Seats

Front Sports seats with electric lumbar support

Fine Nappa Leather with S line embossing

Exterior equipment

Acoustic hood with LED passenger reading lights

S line exterior styling package includes:

- S line side skirts
- S line bumper
- S line rear diffuser
- S line badges on wings

Xenon Plus headlights with LED daytime-running lights

Rear LED lights



18" x 8.5J '5-double-spoke' design alloy wheel



3-spoke S line multi-function steering wheel



Satellite Navigation system - HDD-based



Xenon Plus headlights with LED daytime-running lights



Image shows the A5 Cabriolet S line model with optional Scuba blue, metallic paint (S9)

S line Special Edition Plus model equipment

In addition to S line model equipment

Total RRP inc VAT
£1,500.00

Subject to availability.

Wheels, tyres and suspension
19" x 9J '10-Y-spoke' design gloss black alloy wheels with 255/35 R19 tyres

Audio and communication

Audi Music Interface. Universal connection for use with stereo audio sources and Apple iPod generation 4 onwards. Provides storage and charging

Bang & Olufsen sound system. Designed specifically for the Audi A5 Cabriolet, providing 5.1 surround sound reproduction with dynamic compensation for road noise, 10-channel amplifier and 12 high-performance loudspeakers (total output 505 Watts)

Safety and security

Audi Parking System Advanced. Aids parking by acoustically and visually indicating distances to obstacles in front of and behind your A5 with guiding lines. Measured by ultrasonic sensors and camera integrated discreetly in the boot handle

Interior equipment

Head-level heating system. Includes vents in the front seat backrest that blow hot air onto your neck as you drive. Can be adjusted in three stages

Heated front and outer rear seats with 3-stage heating control

Stainless steel pedals (only available on automatic models)

Exterior equipment

Enhanced rear spoiler on the luggage compartment lid

Dynamic front bumper with large air inlets and blade in high-gloss black

Side sill trims and diffuser frame in high-gloss black

Gloss black exterior mirror housings*



19" x 9J '10-Y-spoke' design gloss black alloy wheels



Audi Music Interface



Bang & Olufsen sound system



Image shows the A5 Cabriolet S line Special Edition Plus model with optional Daytona grey, pearl effect paint (6Y)



S5 quattro Cabriolet model equipment – in addition to SE model equipment

The Audi S5 Cabriolet features a powerful 3-litre V6 engine as standard, which uses supercharging to take you from 0 to 62 mph in just 5.4 seconds. From the comfort and stability of an S5-embossed Fine Nappa leather Super Sports seat, you can sit back and enjoy every unit of this engine's 333PS capability, not to mention the safety and security of quattro permanent all-wheel-drive.

Wheels, tyres and suspension

19" x 8.5J '5-parallel-spoke' design alloy wheels with 255/35 R19 tyres
'S' Sports suspension

Interior equipment

3-spoke 'S' Sports multi-function leather steering wheel with contrasting stitching
Aluminium scuff plates with S5 logo
Interior light package
Inlays in matt-brushed aluminium
'S' instrument dials

Safety and security

'S' model enhanced braking system

Seats

S5 Super Sports seats with electric adjustment and lumbar support
Fine Nappa leather upholstery

Exterior equipment

Acoustic hood with LED passenger reading lights
Aluminium-effect door mirror housings
Exhaust pipes. Twin on left and right-hand side in chrome rolled finish
'S' radiator grille with S5 logo
Painted brake calipers with S5 logo
'S' body styling
Xenon Plus headlights with LED daytime- running lights and LED rear lights



19" x 8.5J '5-parallel-spoke' design alloy wheels



'S' instrument dials



S5 Super Sports seats with electric adjustment and lumbar support



'S' radiator grille with S5 logo



A5 Cabriolet SE

Engines	Power	Transmissions	CO ₂ g/km	Total RRP inc VAT	Recommended OTR
1.8 TFSI	177PS	6-speed manual	137*	£31,610.00	£32,425.00
1.8 TFSI	177PS	multitronic	139*	£33,090.00	£33,905.00
2.0 TFSI	225PS	6-speed manual	144*	£34,745.00	£35,575.00
2.0 TFSI	225PS	multitronic	144*	£36,225.00	£37,055.00
2.0 TFSI quattro	225PS	7-speed S tronic	160*	£37,750.00	£38,615.00
2.0 TDI	150PS	6-speed manual	123*	£33,580.00	£34,265.00
2.0 TDI	190PS	6-speed manual	125*	£34,010.00	£34,695.00
2.0 TDI	190PS	multitronic	124*	£35,490.00	£36,175.00

A5 Cabriolet S line

Engines	Power	Transmissions	CO ₂ g/km	Total RRP inc VAT	Recommended OTR
1.8 TFSI	177PS	6-speed manual	144*	£34,860.00	£35,690.00
1.8 TFSI	177PS	multitronic	146*	£36,340.00	£37,170.00
2.0 TFSI	225PS	6-speed manual	152*	£37,995.00	£38,860.00
2.0 TFSI	225PS	multitronic	153*	£39,475.00	£40,340.00
2.0 TFSI quattro	225PS	7-speed S tronic	167*	£41,000.00	£41,980.00
2.0 TDI	150PS	6-speed manual	129*	£36,830.00	£37,515.00
2.0 TDI	190PS	6-speed manual	133*	£37,260.00	£38,075.00
2.0 TDI	190PS	multitronic	134*	£38,740.00	£39,555.00
3.0 TDI quattro	245PS	7-speed S tronic	167*	£44,240.00	£45,220.00

A5 Cabriolet S line Special Edition Plus

Engines	Power	Transmissions	CO ₂ g/km	Total RRP inc VAT	Recommended OTR
1.8 TFSI	177PS	6-speed manual	154*	£36,360.00	£37,225.00
1.8 TFSI	177PS	multitronic	154*	£37,840.00	£38,705.00
2.0 TFSI	225PS	6-speed manual	157*	£39,495.00	£40,360.00
2.0 TFSI	225PS	multitronic	156*	£40,975.00	£41,840.00
2.0 TFSI quattro	225PS	7-speed S tronic	175*	£42,500.00	£43,480.00
2.0 TDI	150PS	6-speed manual	132*	£38,330.00	£39,145.00
2.0 TDI	190PS	6-speed manual	138*	£38,760.00	£39,575.00
2.0 TDI	190PS	multitronic	139*	£40,240.00	£41,055.00
3.0 TDI quattro	245PS	7-speed S tronic	173*	£45,740.00	£46,720.00

S5 Cabriolet

Engine	Power	Transmission	CO ₂ g/km	Total RRP inc VAT	Recommended OTR
S5 Cabriolet	333PS	7-speed S tronic	189*	£45,860.00	£47,035.00

*Please note: CO₂ emissions can change if a different size alloy is ordered onto the vehicle. This may also lead to a change to the VED amount payable. Please refer to pages 60, 61, 79, 81, 82 and 86 for more details.

Please note: The maximum power output figures are quoted in PS (or Pferdestärke, which is the metric equivalent of brake horsepower). To convert to brake horsepower, divide the PS figure by 1.0139.

Recommended On-The-Road (OTR) retail prices include: delivery charge, half a tank of fuel, number plates at £630.00 (inc. VAT), Road Fund Licence (which may vary depending on model/transmission – see page 84 for details) and first registration fee at £55.00. Vehicle Excise Duty correct at time of going to print, but this may alter to reflect any change in the applicable VED rate.

RRP – Recommended Retail Price. VAT is calculated at 20% but this may alter to reflect any change in the applicable VAT rate.





Audi exclusive

Every Audi is intrinsically exclusive. It's the breathtaking design, the exceptional engineering, the Vorsprung durch Technik. But for that special touch, you can specify your Audi A5 Cabriolet with options from Audi exclusive. Whether you want a unique, custom-mixed paint colour or seats in a combination of complementary shades, Audi exclusive will enable you to drive the car you've always imagined.

Both the exclusive and standard options can be found on the following pages.





Audi exclusive line

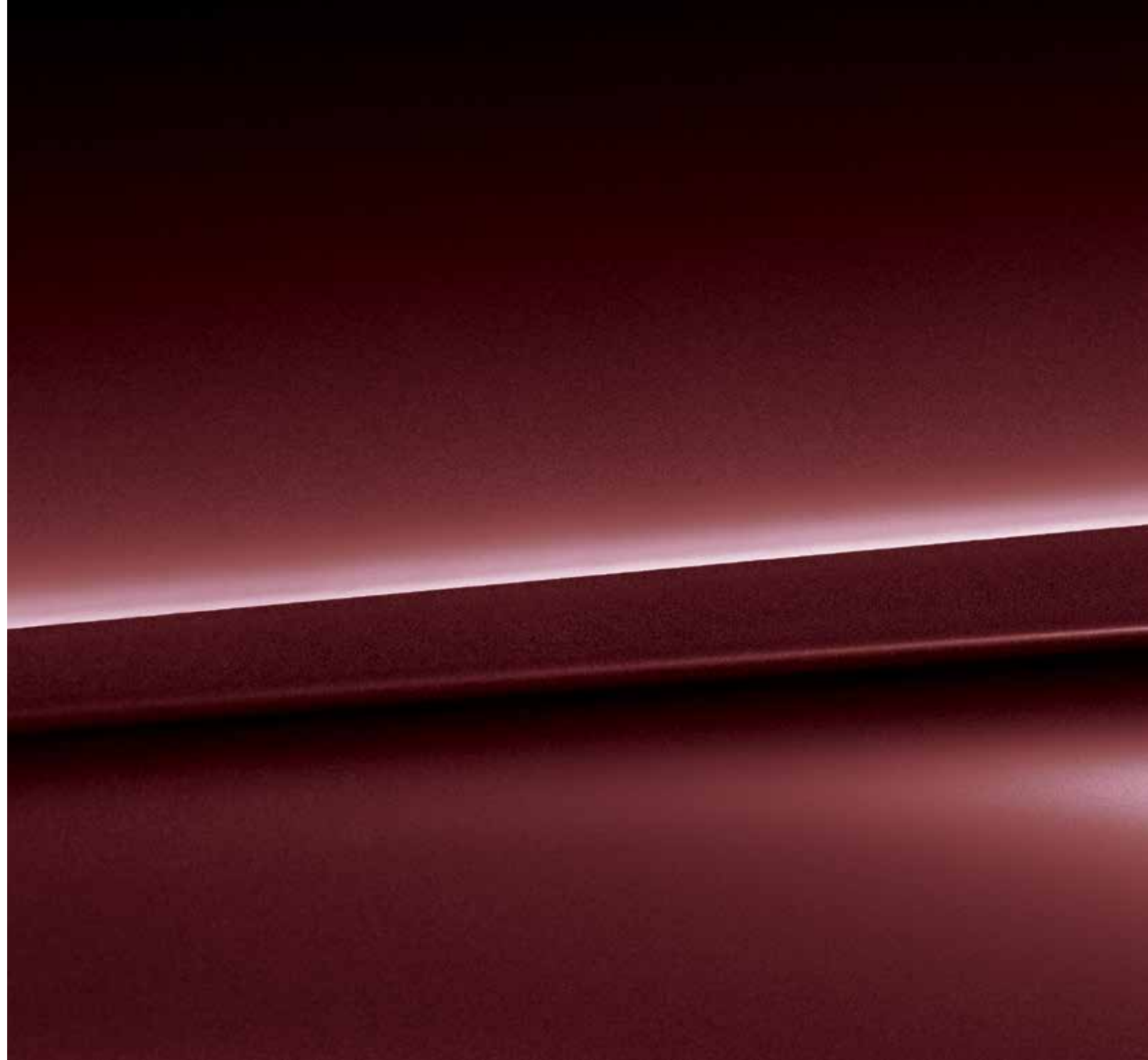
There are a number of ways to customise your car's interior with the Audi exclusive range. And if you'd like us to help you choose, we've put the most popular elements of the range together into one harmonious package – the Audi exclusive line.

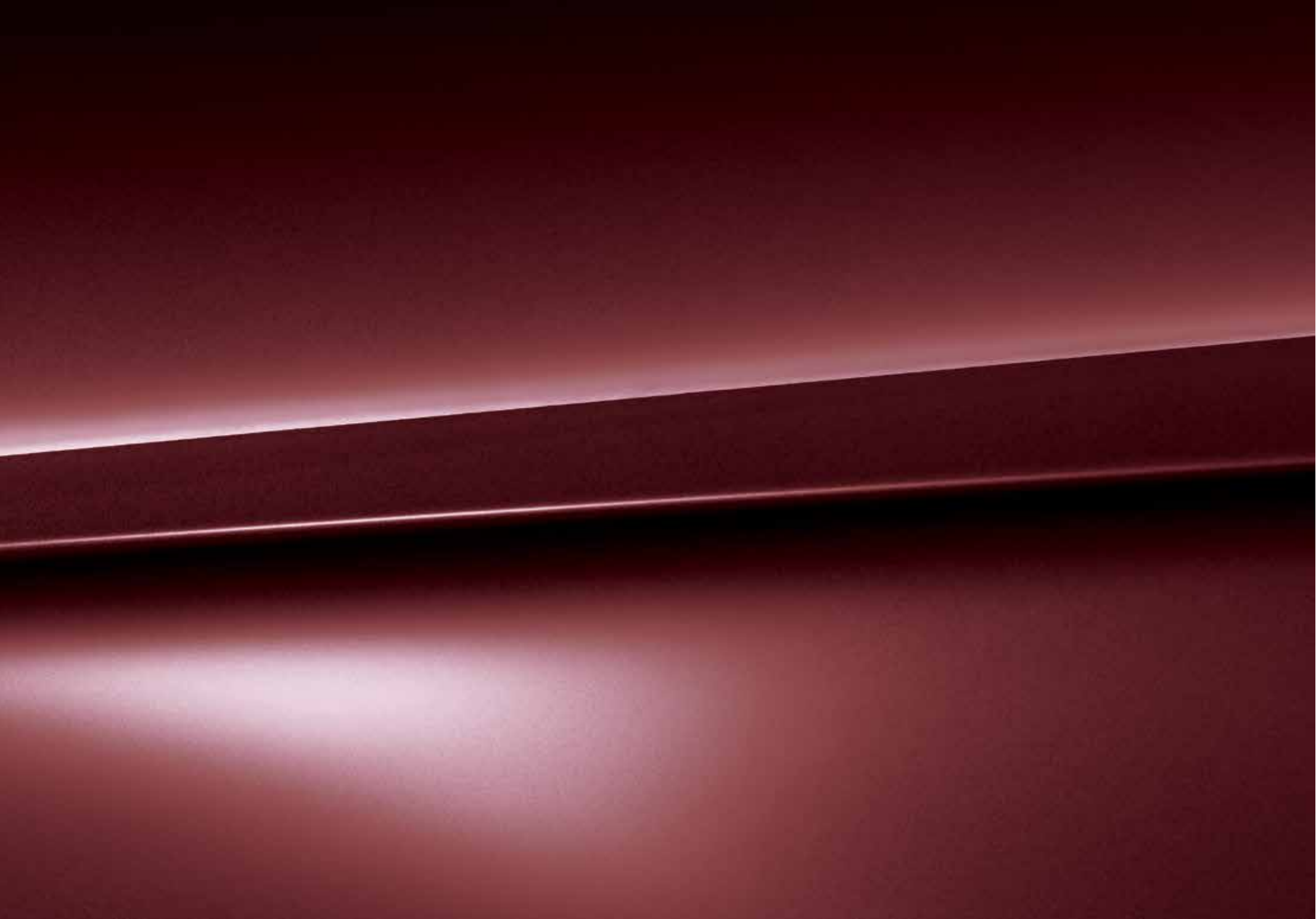
With experience over more than 20 years, our expert designers understand which elements work well together. From high-quality Fine Nappa leather seats to Audi exclusive door sill trims, every detail has been chosen to truly enhance your drive.



Paint

We believe that every part of your car should have a personal touch. Which is why you can choose from a wide range of paint colours and finishes, from standard shades to metallic and pearl effects. We can even mix a customised colour for you to create the perfect fit.





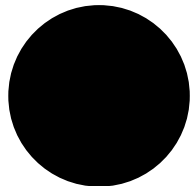
Paint and hoods

You can select one of the standard colours shown opposite or, for a different look, choose from a range of optional finishes.

Standard colours

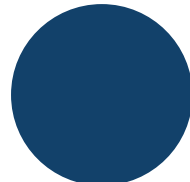


Ibis white – T9

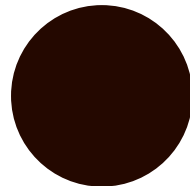


Brilliant black – A2[†]

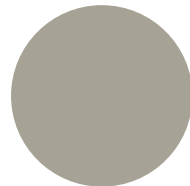
Optional colours



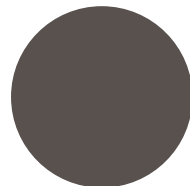
Scuba blue, metallic – S9^{**}



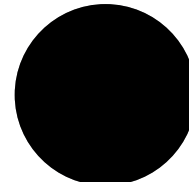
Teak brown, metallic – 4U^{**}



Cuvée silver, metallic – 0D^{**}



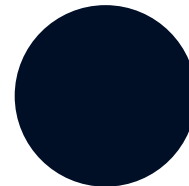
Dakota grey, metallic – Y7^{**}



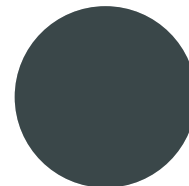
Lava grey, pearl effect – 1R^{**}



Glacier white, metallic – 2Y[†]



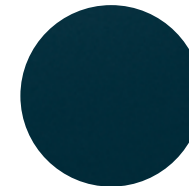
Moonlight blue, metallic – W1[†]



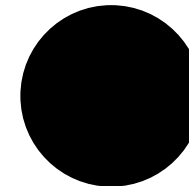
Monsoon grey, metallic – 0C[†]



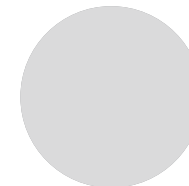
Tornado grey, metallic – Q2[†]



Utopia blue, metallic – D2[†]

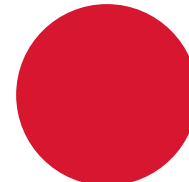


Mythos black, metallic – 0E

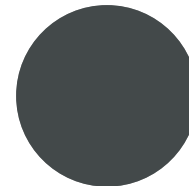


Floret silver, metallic – L5

S line colours



Misano red, pearl effect – N9



Daytona grey, pearl effect – 6Y

Options are subject to availability and may extend delivery.

All the colour swatches on this page are matched as accurately as possible to the actual paint colours used. However, due to print processes, Audi UK cannot guarantee that colours shown are 100% accurate.

Visit your local Audi Centre for a more accurate colour swatch.

*Not available on S5 quattro.

†Not available on S line Special Edition Plus models.

RRP – Recommended Retail Price.

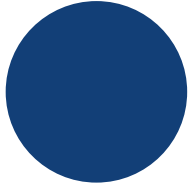
VAT is calculated at 20% but this may alter to reflect any change in the applicable VAT rate.

Optional colours[†]

Total RRP inc VAT

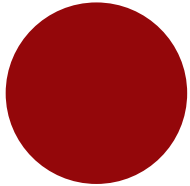
£645.00

S line Special Edition Plus and S5 colour



Sepang blue, pearl effect - E9

S5 colour



Volcano red, metallic - 1G

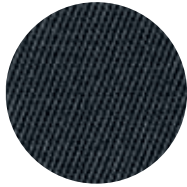
Hood colours



Red - SF**



Black - PA



Dark grey - SW**



Brown - PW**

Paint

Audi exclusive

Everyone has a favourite colour. No matter what yours is, Audi exclusive provides a range of unique colours that have been designed to set your car apart. Choose from the swatches here, or specify any other paint colour in the Audi range.*

Customised

If you have a particular colour in mind, we'll mix the exact metallic or pearl-effect shade you want.**

**Acoustic hood only.

*Audi exclusive paint is subject to factory approval. Visit your local Audi Centre for colour samples.

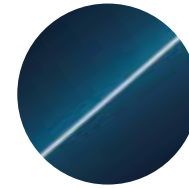
**Customised paint is subject to factory approval, and is available for metallic and pearl-effect water-based paints only. Three-colour process colours and two-tone schemes are not available.

All the colour swatches on this page are matched as accurately as possible to the actual paint colours used. However, due to print processes, Audi UK cannot guarantee that colours shown are 100% accurate.

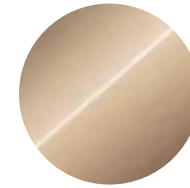
Visit your local Audi Centre for a more accurate colour swatch.

RRP - Recommended Retail Price.

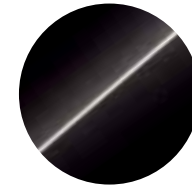
VAT is calculated at 20% but this may alter to reflect any change in the applicable VAT rate.



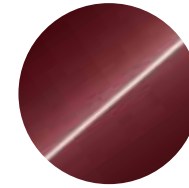
Palace blue, pearl effect



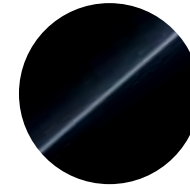
Sand beige, pearl effect



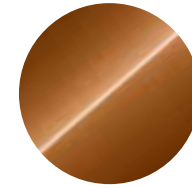
Saddle brown, pearl effect



Classic red, pearl effect



Mamba black, metallic



Ipanema brown, metallic



Any colour in the Audi range or 100 exclusive colours to choose from*

Audi exclusive*

Total RRP inc VAT
£2,115.00



Customised paint**

Customised**

Total RRP inc VAT
£2,615.00

Upholstery

It's important to feel comfortable on the road. Just choose from our range of luxury upholstery materials and textures, including additional support and colour options, for complete relaxation while you drive.





Upholstery and seats

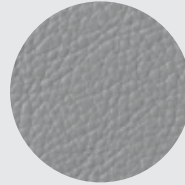
Standard seats

Choose your favourite upholstery from the swatches shown opposite to give your car's interior the look and feel you want.

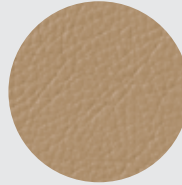
Milano leather



Black – GD/JN



Titanium grey – BI/IJ



Velvet beige – IF

SE	S line	S line Special Edition Plus	S5 quattro	Total RRP inc VAT
S	–	–	–	No charge

Options are subject to availability and may extend delivery.

- = Not available
- = Available
- S = Standard

Colour swatches have been matched as accurately as possible. However, they may not represent the true colour.

All leather upholstery choices include seats, head restraints, door inserts and front centre armrest in leather. Leather/Alcantara choices include head restraints, seat side bolsters and front centre armrest in leather with the seat centres and door inserts in Alcantara.

RRP – Recommended Retail Price.

VAT is calculated at 20% but this may alter to reflect any change in the applicable VAT rate.

Upholstery and seats

Standard seats

Front Standard seats with manual adjustment of seat height, forwards and backwards position, backrest angle and head restraint.

Options are subject to availability and may extend delivery.

- = Not available
- = Available
- S = Standard

RRP - Recommended Retail Price.

VAT is calculated at 20% but this may alter to reflect any change in the applicable VAT rate.

Order Code		SE	S line	S line Special Edition Plus	S5 quattro	Total RRP inc VAT
4A4	Heated front and outer rear seats with 3-stage heating control	•	-	-	-	£200.00
7P1	Electric lumbar support for front seats with horizontal and vertical adjustment	•	-	-	-	£235.00
PV1	Electric front seats with adjustment for height, forwards and backwards position, backrest angle and lumbar support for driver and front passenger seats	•	-	-	-	£765.00
PV3 6XL	Convenience package. Comprises electric front seats with memory function on driver's side and lumbar support. Also includes folding and auto-dimming door mirrors with memory function and automatic kerb view function, which tilts the passenger mirror downwards towards the kerb when reverse gear is engaged	•	-	-	-	£1,430.00



Standard seat

Upholstery and seats

Sports seats

Choose your favourite upholstery from the swatches shown opposite to give your car's interior the look and feel you want.

Options are subject to availability and may extend delivery.


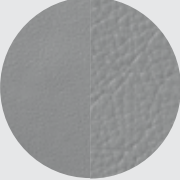

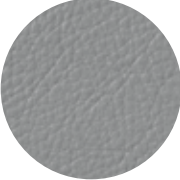






- = Not available
• = Available
S = Standard

Colour swatches have been matched as accurately as possible. However, they may not represent the true colour.

All leather upholstery choices include seats, head restraints, door inserts and front centre armrest in leather. Leather/Alcantara choices include head restraints, seat side bolsters and front centre armrest in leather with the seat centres and door inserts in Alcantara.

RRP - Recommended Retail Price.

VAT is calculated at 20% but this may alter to reflect any change in the applicable VAT rate.

						SE	S line	S line Special Edition Plus	S5 quattro	Total RRP inc VAT
Leather/Alcantara						•	-	-	-	£410.00
	Black - GD/JN	Titanium grey - BI/IJ								
Milano leather						•	-	-	-	£410.00
	Black - GD/JN	Titanium grey - BI/IJ	Velvet beige - IF							
Fine Nappa leather						•	-	-	-	£775.00
	Black - GD/JN	Titanium grey - BI/IJ/HG	Red - AA/BF							
										
	Chestnut brown - AO/IH	Velvet beige - IF								

Upholstery and seats

Sports seats

Front Sports seats with prominent side bolsters for lateral support when cornering. Also features electric 4-way lumbar support and manual seat adjustment with extendable thigh support.

Options are subject to availability and may extend delivery.

- = Not available
- = Available
- S = Standard

RRP – Recommended Retail Price.

VAT is calculated at 20% but this may alter to reflect any change in the applicable VAT rate.

Order Code		SE	S line	S line Special Edition Plus	S5 quattro	Total RRP inc VAT
4A4	Heated front and outer rear seats with 3-stage heating control	•	-	-	-	£200.00
PV1	Electric front seats, with adjustment for height, forwards and backwards position, backrest angle and lumbar support for driver and front passenger seats	•	-	-	-	£765.00
PV3 6XL	Convenience package. Comprises electric front seats with memory function on driver's side and lumbar support. Also includes folding and auto-dimming door mirrors with memory function and automatic kerb view function, which tilts the passenger mirror downwards towards the kerb when reverse gear is engaged	•	-	-	-	£1,430.00



Sports seat (PS1) with electrical adjustment (PV1)

Upholstery and seats

Climate comfort seats

Choose your favourite upholstery from the swatches shown opposite to give your car's interior the look and feel you want.

Options are subject to availability and may extend delivery.

- = Not available
- = Available
- S = Standard

Colour swatches have been matched as accurately as possible. However, they may not represent the true colour.

All leather upholstery choices include seats, head restraints, door inserts and front centre armrest in leather. Leather/Alcantara choices include head restraints, seat side bolsters and front centre armrest in leather with the seat centres and door inserts in Alcantara.

RRP – Recommended Retail Price.

VAT is calculated at 20% but this may alter to reflect any change in the applicable VAT rate.

					SE	S line	S line Special Edition Plus	S5 quattro	Total RRP inc VAT
Milano leather					•	-	-	-	£2,830.00
	Black – GD/JN	Titanium grey – BI/IJ	Chestnut brown – AO/IH	Velvet beige – IF					

Upholstery and seats

Climate comfort seats

Front Climate comfort seats with perforated leather on the actively ventilated and heated areas of the front seats and on the non-ventilated areas of the rear seats.

Also include:

- ▶ head-level heating system
- ▶ electrical adjustment for height, forwards and backwards position, backrest angle and lumbar support
- ▶ memory function for driver's seat
- ▶ folding and auto-dimming door mirrors with memory function
- ▶ rear bench with integral storage tray

Options are subject to availability and may extend delivery.

- = Not available
- = Available
- S = Standard

RRP – Recommended Retail Price.

VAT is calculated at 20% but this may alter to reflect any change in the applicable VAT rate.

Order Code	SE	S line	S line Special Edition Plus	S5 quattro	Total RRP inc VAT
4A4 Heated front and outer rear seats with 3-stage heating control	•				£200.00



Climate comfort seat

Upholstery and seats

S line Sports seats

Choose your favourite upholstery from the swatches shown opposite to give your car's interior the look and feel you want.

Leather/Alcantara



Black with grey stitching - QZ

Fine Nappa leather



Black - QE

	SE	S line	S line Special Edition Plus	S5 quattro	Total RRP inc VAT
Leather/Alcantara Black with grey stitching - QZ	-	•	•	-	No charge
Fine Nappa leather Black - QE	-	S	S	-	No charge

Options are subject to availability and may extend delivery.

- = Not available
- = Available
- S = Standard

Colour swatches have been matched as accurately as possible. However, they may not represent the true colour.

All leather upholstery choices include seats, head restraints, door inserts and front centre armrest in leather. Leather/Alcantara choices include head restraints, seat side bolsters and front centre armrest in leather with the seat centres and door inserts in Alcantara.

RRP - Recommended Retail Price.

VAT is calculated at 20% but this may alter to reflect any change in the applicable VAT rate.

Upholstery and seats

S line Sports seats

Front Sports seats with S line embossing and prominent side bolsters for lateral support when cornering. Also features electric 4-way lumbar support and manual seat-cushion angle adjustment with extendable thigh support.

Options are subject to availability and may extend delivery.

- = Not available
 ● = Available
 S = Standard

RRP - Recommended Retail Price.

VAT is calculated at 20% but this may alter to reflect any change in the applicable VAT rate.

Order Code		SE	S line	S line Special Edition Plus	S5 quattro	Total RRP inc VAT
4A4	Heated front and outer rear seats with 3-stage heating control	-	●	S	-	£200.00
PV1	Electric front seats, with adjustment for height, forwards and backwards position, backrest angle and lumbar support for driver and front passenger seats	-	●	●	-	£455.00
PV3 6XL	Convenience package. Comprises electric front seats with memory function on driver's side and lumbar support. Also includes folding and auto-dimming door mirrors with memory function and automatic kerb view function, which tilts the passenger mirror downwards towards the kerb when reverse gear is engaged	-	●	●	-	£1,150.00



S line Sports seats

Upholstery and seats

S5 Cabriolet Super Sports seats

Choose your favourite upholstery from the swatches shown opposite to give your car's interior the look and feel you want.

Options are subject to availability and may extend delivery.

- = Not available
- = Available
- S = Standard

Colour swatches have been matched as accurately as possible. However, they may not represent the true colour.

All leather upholstery choices include seats, head restraints, door inserts and front centre armrest in leather. Leather/Alcantara choices include head restraints, seat side bolsters and front centre armrest in leather with the seat centres and door inserts in Alcantara.

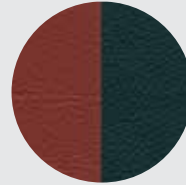
RRP - Recommended Retail Price.

VAT is calculated at 20% but this may alter to reflect any change in the applicable VAT rate.

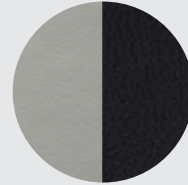
Fine Nappa leather



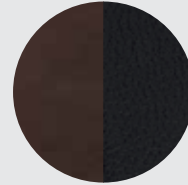
Black/Black - ZM/SC



Magma red/Black - FA/SJ



Lunar silver/Black - FI/SU



Chestnut brown/Black - FO/SV

SE	S line	S line Special Edition Plus	S5 quattro	Total RRP inc VAT
-	-	-	S	No charge

Upholstery and seats

S5 Cabriolet Super Sports seats

S5 Super Sports seats with integral head restraints, electrical adjustment of seat height, forwards and backwards position, backrest and seat angle. Also includes electric 4-way lumbar support, extendable thigh supports and rear bench with integral centre storage tray.

Options are subject to availability and may extend delivery.

- = Not available
- = Available
- S = Standard

RRP - Recommended Retail Price.

VAT is calculated at 20% but this may alter to reflect any change in the applicable VAT rate.

Order Code		SE	S line	S line Special Edition Plus	S5 quattro	Total RRP inc VAT
4A4	Heated front and outer rear seats with 3-stage heating control	-	-	-	•	£200.00
PV3 6XL	Convenience package. Comprises electric front seats with memory function on driver's side and lumbar support. Also includes folding and auto-dimming door mirrors with memory function and automatic kerb view function, which tilts the passenger mirror downwards towards the kerb when reverse gear is engaged	-	-	-	•	£615.00



S5 Super Sports seat

Colour and trim guide

Interior trim colours

Standard seats

To help you choose the right interior for your Audi A5 Cabriolet, please use this guide, showing the carpet, dashboard and headlining colours that have been matched to your chosen upholstery. Please note that the inlay colour may change dependent on the interior colours you select, please see page 56 for details.

Sports seats (PS1)

S line Sports seats

Options are subject to availability and may extend delivery.

– = Not available
● = Available
S = Standard

*Includes leather door armrests (7HB).

Order Code	Upholstery	Carpet	Dashboard (upper/lower)	Headlining	Milano leather (N5W)
GD or JN	Black	Black	Black/Black	Silver or Black	●
BI or IJ	Titanium grey	Grey	Grey/Grey	Silver or Black	●
IF	Velvet beige	Brown	Brown/Brown	Beige	●

Order Code	Upholstery	Carpet	Dashboard (upper/lower)	Headlining	Leather/Alcantara (N7U)	Milano leather (N5W)	Fine Nappa leather (N3Q)*
GD or JN	Black	Black	Black/Black	Silver or Black	●	●	●
BI or IJ or HG	Titanium grey	Grey/Black	Grey/Grey/Black	Silver or Black	●	●	●
AO or IH	Chestnut brown	Black	Black/Black	Silver or Black	–	–	●
AA or BF	Red	Black	Black/Black	Silver or Black	–	–	●
IF	Velvet beige	Brown	Brown/Brown	Beige	–	●	●

Order Code	Upholstery	Carpet	Dashboard (upper/lower)	Headlining	Leather/Alcantara (N7K)	Fine Nappa leather (N2R)*
QE (Black stitching)	Black	Black	Black/Black	Black	–	●
QZ (Grey stitching)	Black	Black	Black/Black	Black	●	–

Colour and trim guide

Interior trim colours

Climate comfort seats (PS8)

Order Code	Upholstery	Carpet	Dashboard (upper/lower)	Headlining	Milano leather (N5W)
GD or JN	Black	Black	Black/Black	Silver or Black	●
BI or IJ	Titanium grey	Grey	Grey/Grey	Silver or Black	●
AO or IH	Chestnut brown	Black	Black/Black	Silver or Black	●
IF	Velvet beige	Brown	Brown/Brown	Beige	●

S5 Cabriolet Super Sports seats

Order Code	Upholstery	Carpet	Dashboard (upper/lower)	Headlining	Fine Nappa leather (N3M)*
FI or SU	Lunar silver/Black	Black	Black/Black	Silver or Black	●
FO or SV	Chestnut brown/Black	Black	Black/Black	Silver or Black	●
SJ or FA	Magma red/Black	Black	Black/Black	Silver or Black	●
SC or ZM	Black/Black	Black	Black/Black	Silver or Black	●

Options are subject to availability and may extend delivery.

- = Not available
● = Available
S = Standard

*Includes leather door armrests (7HB)

Upholstery

Audi exclusive

With Audi exclusive, you can specify your seats in Fine Nappa leather or Fine Nappa leather/Alcantara, from an array of different colours shown to the right.

Select just an all-over shade for each seat or customise each panel in two or more complementary colours from the distinctive Audi exclusive palette. You can even choose the colour of the decorative stitching – to match or contrast with your chosen upholstery – from this varied collection. Whatever combination you decide upon, we think you'll be satisfied with the result.

Options are subject to availability and may extend delivery.

– = Not available
• = Available
S = Standard

*Leather and stitching (where applicable) can be specified in a variety of colours from the Audi exclusive range.

RRP – Recommended Retail Price.

VAT is calculated at 20% but this may alter to reflect any change in the applicable VAT rate.

Order Code		SE	S line	S line Special Edition Plus	S5 quattro	Total RRP inc VAT
PYD S3G	Audi exclusive leather package 2 in Fine Nappa leather. Includes leather-covered seat upholstery, door trim inserts, front centre armrest, backrest covers and door armrests and handles. Seat side trims and add-on parts are colour-coordinated. Not available in combination with Climate comfort seats. Only available in combination with electric seats (PV1 or PV3)	•	•	•	•	£3,950.00
PYF S3G	Audi exclusive leather package 2 in Fine Nappa leather/Alcantara. Includes leather-covered seat side trims and backrest covers, front centre armrest, door armrests and Alcantara seat centre sections and door trim inserts. Seat side trims and add-on parts are colour-coordinated. *Only in combination with Sports seats	•	•	•	–	£3,950.00



Chestnut brown



Jet grey



Alabaster white



Sand beige



Saddle brown



Crimson red



Magnolia white



Havanna brown



Cognac brown



Night blue



Cloudy grey



Smoky blue



Iceland green



Powder beige



Classic red



Calendula yellow

Also available:

Alcantara colours: available in all the Audi exclusive colours shown, except for Crimson red, Jet grey and Sand beige. Alcantara equivalents are Chilli red, Amethyst grey, and Sesame beige respectively.

Please consult your Audi Centre for examples of Alcantara and carpet colours.

Upholstery

Audi exclusive line

Audi exclusive is ultimately about choice – but if you'd rather leave some of the decisions in the capable hands of our designers, the expert team at quattro GmbH have compiled the Audi exclusive line, combining some of the most popular elements of the exclusive range in one, beautifully coordinated package.

Options are subject to availability and may extend delivery.

- = Not available
 • = Available
 S = Standard

*When ordered in combination with S line, Audi exclusive removes all S line interior badging.

**When ordered in combination with S line, the S line embossing on the seats is removed.

RRP – Recommended Retail Price.

VAT is calculated at 20% but this may alter to reflect any change in the applicable VAT rate.

Order Code		SE	S line	S line Special Edition Plus	S5 quattro	Total RRP inc VAT
WQK	Audi exclusive line	•	-	-	-	£2,700.00
PQL	Audi exclusive line*	-	•	•	-	£850.00



Crimson red – QY



Alabaster white – UA



Cognac brown – QX

This package includes:

- ▶ Sports seats in two-tone Fine Nappa leather – black seat-side sections with coloured stitching and coloured seat-centre section in Crimson red, Alabaster white or Cognac brown**
- ▶ Door-trim inserts match seat centre section, and armrests in doors in black leather with coloured stitching to match seat centre section
- ▶ Black dashboard and carpets
- ▶ Black cloth headlining
- ▶ Audi exclusive door sill trims on SE models
- ▶ Matt-brushed aluminium inlays
- ▶ Floor mats in black with coloured piping (to match seat-centre section)
- ▶ 3-spoke leather steering wheel (S tronic with shift paddles)
- ▶ Steering wheel rim and gear lever gaiter with coloured stitching in matching colour to seat-centre section
- ▶ Head restraints with coloured stitching in matching colour to seat-centre section

Inlays

Attention to detail can make a big impact. From contemporary black Piano finish to a brown walnut, our selection of inlays offers the perfect finishing touch to your car's interior.

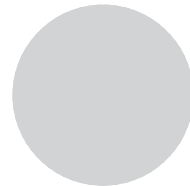




Inlays

Inlays are the all-important finishing touch that add flair and interest to your car's interior.

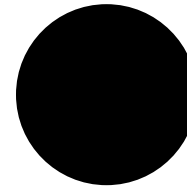
Order Code		SE	S line	S line Special Edition Plus	S5 quattro	Total RRP inc VAT
5MU	Aluminium trigon	S	-	-	-	No charge
5TG	Matt-brushed aluminium	-	S	-	S	No charge
5TL	Piano finish, black	-	●	S	-	No charge
5MK	Carbon atlas	-	-	-	●	£255.00
5MG	Walnut, brown	●	-	-	-	£330.00
7TL	Fine grain ash, natural brown	●	-	-	-	£330.00
5TZ	Fine grain birch wood, grey	-	●	●	●	£330.00
5MZ	Stainless steel mesh (centre console comes in Piano finish, black)	-	-	-	●	£365.00
5MT	Beaufort oak, light brown	●	-	-	-	£450.00
5TB	Aluminium, beaufort	-	●	●	●	£950.00



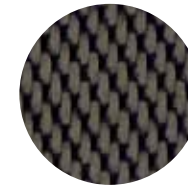
Aluminium trigon - 5MU



Matt-brushed aluminium - 5TG



Piano finish, black - 5TL



Carbon atlas - 5MK



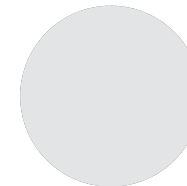
Walnut, brown - 5MG



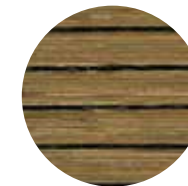
Fine grain ash, natural brown - 7TL



Fine grain birch wood, grey - 5TZ



Stainless steel mesh (centre console comes in Piano finish, black) - 5MZ



Beaufort oak, light brown - 5MT



Aluminium, beaufort - 5TB

Options are subject to availability and may extend delivery.

- = Not available
● = Available
S = Standard

RRP - Recommended Retail Price.

VAT is calculated at 20% but this may alter to reflect any change in the applicable VAT rate.

Inlays

Audi exclusive

Audi exclusive has sourced a range of materials which you can select for your inlays, from Sepia oak to Fine grain myrtle.

Order Code		SE	S line	S line Special Edition Plus	S5 quattro	Total RRP inc VAT
YTA S3G	Audi exclusive inlays (cannot be combined with the inlays shown on page 56)	●	●	●	●	£950.00



Fine grain ash, nougat



Fine grain myrtle, nutmeg



Oak, sepia

Options are subject to availability and may extend delivery.

- = Not available
- = Available
- S = Standard

RRP - Recommended Retail Price.

VAT is calculated at 20% but this may alter to reflect any change in the applicable VAT rate.

Options

Every driver has different needs, which is why we have created some useful options to further enhance your car. For extra comfort, support, style or function, you can choose from a variety of additional features, tailoring everything from your infotainment and audio equipment to your wheels and lighting.





Wheels, tyres and suspension

Choose a set of specially selected alloy wheels to subtly enhance the way your car looks and drives. And you can also specify Audi drive select, which allows you to change suspension and steering settings according to your driving style.

Please note that choosing an optional wheel may affect fuel consumption figures and the CO₂ emissions of your A5 Cabriolet. This may result in a change in the subsequent Vehicle Excise Duty payable. Please see pages 79, 81, 82 and 86 for more details.

Options are subject to availability and may extend delivery.

- = Not available
• = Available
S = Standard

RRP – Recommended Retail Price.

VAT is calculated at 20% but this may alter to reflect any change in the applicable VAT rate.



18" x 8.5J '10-spoke' design
alloy wheels – PQ5



18" x 8.5J '5 V-spoke' design
alloy wheels – PRM



18" x 8.5J '15-spoke Star' design
alloy wheels – PRR



19" x 8.5J '10-spoke' design
alloy wheels – PRK



19" x 8.5J '5-spoke Y' design
alloy wheels – PRV



19" x 9J '7-twin-spoke' design
alloy wheels – PQ7



20" x 9J '5-twin-spoke high-gloss' design
alloy wheels – PQQ

Wheels, tyres and suspension

Order Code		SE	S line	S line Special Edition Plus	S5 quattro	Total RRP inc VAT
PQ5	18" x 8.5J '10-spoke' design alloy wheels with 245/40 R18 tyres	–	●	–	–	No charge
PRM	18" x 8.5J '5 V-spoke' design alloy wheels with 245/40 R18 tyres	●	–	–	–	£665.00
PRR	18" x 8.5J '15-spoke Star' design alloy wheels with 245/40 R18 Y tyres	●	–	–	–	£620.00
PRK	19" x 8.5J '10-spoke' design alloy wheels with 255/35 R19 tyres	●	–	–	–	£1,350.00
PRV	19" x 8.5J '5-spoke Y' design alloy wheels with 255/35 R19 Y tyres	●	–	–	–	£1,330.00
		–	●	–	–	£600.00
PQ7	19" x 9J '7-twin-spoke' design alloy wheels with 255/35 R19 tyres	–	–	–	●	£1,000.00
		–	–	●	–	No charge
PQQ	20" x 9J '5-twin-spoke high-gloss' design alloy wheels with 265/30 ZR20 tyres*	–	–	–	●	£1,500.00
2H1	Audi drive select. Changes your car's handling and responses at the touch of a button to suit the way you want to drive. There are five modes: comfort, dynamic, auto, individual and efficient. Please note that you can only choose the individual mode and customise your settings if you also have Satellite Navigation installed. When operating in efficiency mode, the engine and gear shift programmes are altered to optimise fuel consumption. The air-conditioning system is also configured to allow for optimum energy use	●	●	●	●	£220.00
1N8	Dynamic steering. With this technology, driving is significantly more agile under everyday conditions, while directional stability and precision are increased at high speeds and in demanding driving situations. Must be combined with Audi drive select	●	●	●	●	£375.00
1BL	Damper control. Formed on the basis of lowered Sports suspension, the optional damper control system fine-tunes suspension settings according to road conditions and driver needs. Must be combined with Audi drive select	●	–	–	–	£680.00
		–	●	●	●	£300.00
GH2	Audi quattro Sports differential. Must be combined with Audi drive select, only available on 3.0 TDI 245PS and S5 engines	●	●	●	●	£620.00
1BE	Sports suspension. With stiffer springs and shock absorbers and a 20mm lower ride height	●	S	S	–	£315.00
1BV	S line Sports suspension. Lowered by 30mm with more firmly tuned springs and dampeners for more direct contact with the road	–	●	●	–	No charge

Please note that choosing an optional wheel may affect fuel consumption figures and the CO2 emissions of your A5 Cabriolet. This may result in a change in the subsequent Vehicle Excise Duty payable. Please see pages 79, 81, 82 and 86 for more details.

Options are subject to availability and may extend delivery.

– = Not available
● = Available
S = Standard

*Not available on 3.0 TDI 204PS, 2.0 TDI 150PS and 1.8 TFSI 170PS engines.

RRP – Recommended Retail Price.

VAT is calculated at 20% but this may alter to reflect any change in the applicable VAT rate.

Packages

Some items work well together, which is why we've created these special packages. They provide increased convenience and value by combining several of our most popular options.

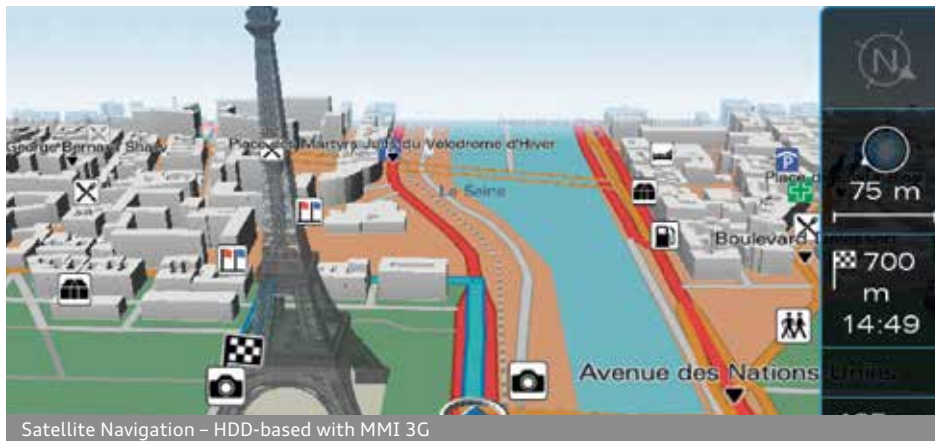
Order Code	SE	S line	S line Special Edition Plus	S5 quattro	Total RRP inc VAT
WB6 Technology package Featuring MMI Navigation system – HDD-based with Audi Music Interface and Audi parking system advanced MMI Navigation system plus. Hard disk navigation with topographical map display, places of interest and town models in 3D, with high-resolution 7" colour TFT display. The system offers three alternative routes, with the ability to scroll along the selected route and manoeuvre within the map. Uses 7-digit postcode recognition. Includes split-screen mode for route information, dynamic route guidance (TMC), intersection zoom function, motorway exits and lane recommendations in Driver's Information System (DIS). Includes 2 SD card readers, single CD/DVD player, 40GB hard drive and Jukebox (20GB) for storing and managing music files in WMA and MP3 format. Includes European navigation data (where digitised) Additional functionality is available when combined with optional Mobile telephone preparation – High with Audi Connect (9ZW). For more details please see option 9ZW Audi Music Interface. Connection for use with stereo audio sources, USB and MP3 devices including Apple iPod generation 4 onwards and Apple iPhone Audi parking system advanced – aids parking by acoustically and visually indicating distances to obstacles in front of and behind your A5 with guiding lines. Measured by ultrasonic sensors and camera integrated discreetly in the boot handle	●	–	–	●	£1,695.00

Options are subject to availability and may extend delivery.

- = Not available
- = Available
- S = Standard

RRP – Recommended Retail Price.

VAT is calculated at 20% but this may alter to reflect any change in the applicable VAT rate.



Satellite Navigation – HDD-based with MMI 3G



MMI 3G Control – High (part of HDD Navigation)

Packages

Order Code	SE	S line	S line Special Edition Plus	S5 quattro	Total RRP inc VAT
<p>Assistance package Contains Adaptive cruise control with braking guard and Audi active lane assist</p> <p>PCB Adaptive cruise control with braking guard. Intelligent automatic speed and distance control system. Works at speeds from 19-155mph,* using radar sensors to measure and maintain required distance to vehicle ahead by braking and accelerating. Four programmes (distance 1 to distance 4) set via steering column controls of the cruise control system. Includes Audi braking guard – a system which triggers a visual and acoustic alarm when it detects the risk of a rear end collision with the vehicle in front. At speeds below 19mph the system can initiate partial braking or full deceleration if a potential impact is detected to help prevent a collision, or if it is not possible to completely prevent a collision, the system will focus on reducing the speed at which the vehicles collide</p> <p>Audi active lane assist. Helps the driver to stay in lane with gentle steering impulses for greater safety and convenience, particularly on motorways and country roads. The system informs the driver if the car is drifting out of its lane unintentionally. Only available in combination with the Technology package (WB6) or Satellite Navigation</p>	•	•	•	•	£625.00

Options are subject to availability and may extend delivery.

- = Not available
- = Available
- S = Standard

*Where the law permits.

RRP – Recommended Retail Price.

VAT is calculated at 20% but this may alter to reflect any change in the applicable VAT rate.



Audio and communication

Stay in touch using our range of communication functions, and give each journey its own soundtrack with our advanced audio equipment.

Order Code		SE	S line	S line Special Edition Plus	S5 quattro	Total RRP inc VAT
8UM	Audi Symphony radio. AM/FM twin tuner with TP memo function. Front-loading 6-CD changer with MP3 compatibility and active front and rear speakers. Includes colour centre console screen, SD memory card reader and AUX-IN socket. Cannot be combined with Technology package (WB6) or Satellite Navigation	●	—	—	●	£280.00
9VK	Bang & Olufsen sound system. Designed specifically for the Audi A5 Cabriolet, featuring 14 high-performance speakers and two amplifiers which create 505 Watts of stunning sound, balanced to suit the specific acoustic properties of the car's interior. The system constantly and automatically adapts the sound characteristics to the vehicle's speed, background noise and whether the roof is open or closed, to provide the highest quality. The reproduction of 5.1 surround sound is possible in conjunction with Technology package (WB6) or Satellite Navigation	●	●	S	●	£535.00

Options are subject to availability and may extend delivery.

- = Not available
- = Available
- S = Standard

RRP – Recommended Retail Price.

VAT is calculated at 20% but this may alter to reflect any change in the applicable VAT rate.



Audi Symphony radio



Bang & Olufsen sound system

Audio and communication

Order Code		SE	S line	S line Special Edition Plus	S5 quattro	Total RRP inc VAT
PTS	Mobile telephone preparation – Low with Bluetooth. Provides hands-free connection via Bluetooth using the mobile phone aerial. Alternatively, it can use a cradle with charging facility for optimal reception via external aerial. Located in front centre armrest. Cradle available at extra cost – please contact your Audi Centre for phone compatibility	●	●	●	–	£175.00
9ZW	Mobile telephone preparation – High with Audi Connect. Audi Connect provides access to a number of innovative online services via an internal UMTS™ (3G) module. Audi Connect online services include: navigation using Google Earth™ images and Google Street View™, destination entry via Google Maps™ or myAudi, online point of interest search and information services such as weather forecasts and the latest world news. Audi Connect also includes Audi traffic information online, which gives accurate real-time forecasts of the traffic situation along the chosen route. The traffic situation can be displayed on the navigation map or Google Earth™ image. Audi Connect can also create a Wi-Fi hotspot in the car for convenient internet access using a mobile device (e.g. laptop or tablet). Many Audi Connect features can be simply operated via MMI Navigation Plus or the multi-function steering wheel. Only in combination with Technology package (WB6) or Satellite Navigation Important connectivity information: An external data source is required to enable the Audi Connect online services. One of the two following external data sources can be used ¹ : 1. A mobile telephone with Bluetooth SIM Access Profile ² 2. A separate SIM card which can be inserted in the included SIM card reader. When a separate SIM card is used, hands-free phone calls are possible using the SIM card or by connecting a different mobile telephone via Bluetooth Hands-Free Profile	●	●	●	●	£350.00
UF7	Audi Music Interface (AMI). Universal connection for use with stereo audio sources, USB and MP3 devices including Apple iPod generation 4 onwards (iPod, iPod classic, iPod mini, iPod nano, iPod photo, iPod video, iPod touch). Provides intuitive control through the audio system and multi-function steering wheel (where fitted). It also replicates the iPod display on the audio screen and DIS, including track titles. The interface provides charging function (dependent on device). Includes 2 cables to connect your iPod or USB MP3 device. AUX-IN is deleted with this option	●	●	S	●	£255.00
7D1	CD changer and DVD player. 6-CD changer located in the glove box and single CD/DVD slot in centre console. Only in combination with Technology package (WB6) or Satellite Navigation	●	●	●	●	£305.00
QU6	Digital TV reception. Reception of digital (DVB-T) uncoded television stations (MPEG-2 standard), TV picture, teletext and Electronic Programme Guide (EPG). Facility to connect 2 external AV sources via adaptor cables (available from Audi Genuine Accessories). Please note: TV reception depends on local digital network availability. No AV or TV video output when driving (audio output available when driving). Only in combination with Technology package (WB6) or Satellite Navigation	●	●	●	●	£825.00

Options are subject to availability and may extend delivery.

– = Not available
● = Available
S = Standard

¹Online services are only available for mobile phone contracts or SIM cards which include a data option and only within the coverage of the mobile phone network; there may be additional costs for the use of these services (charges and billing correspond to the personal mobile phone contract or SIM card contract). Due to high data volumes, a mobile phone contract including an unlimited or high usage data plan is strongly recommended. The content and scope of the online based services offered may vary.

²To check the compatibility of your mobile phone and whether it has SIM Access Profile compatibility, please visit www.audi.co.uk/phonecompatibility

RRP – Recommended Retail Price.

VAT is calculated at 20% but this may alter to reflect any change in the applicable VAT rate.

Interior equipment

Specify every detail of your car's interior with this range of options.

Options are subject to availability and may extend delivery.

- = Not available
 • = Available
 S = Standard

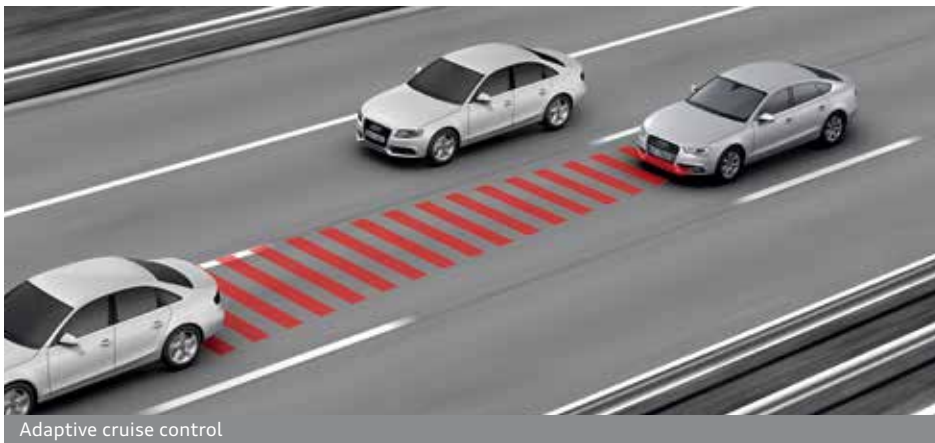
*Where the law permits.

**HomeLink® is a registered trademark of Johnson Controls. For information on compatibility, visit www.homelink.com

RRP – Recommended Retail Price.

VAT is calculated at 20% but this may alter to reflect any change in the applicable VAT rate.

Order Code		SE	S line	S line Special Edition Plus	S5 quattro	Total RRP inc VAT
PG3	Advanced key. Access and authorisation system which automatically exchanges data between key and vehicle, allowing the driver to keep the key in their pocket or bag at all times. To unlock and open, simply lift the exterior door handle. To lock, press the button on the handle. Pressing the start/stop button integrated in the centre console starts and stops the engine	•	•	•	•	£470.00
8T4	Adaptive cruise control (ACC) with braking guard. Adaptive cruise control with braking guard. Intelligent automatic speed and distance control system. Works at speeds from 19-155mph,* using radar sensors to measure and maintain required distance to vehicle ahead by braking and accelerating. Four programmes (distance 1 to distance 4) set via steering column controls of the cruise control system. Includes Audi braking guard – a system which triggers a visual and acoustic alarm when it detects the risk of a rear end collision with the vehicle in front. At speeds below 19mph the system can initiate partial braking or full deceleration if a potential impact is detected to help prevent a collision, or if it is not possible to completely prevent a collision, the system will focus on reducing the speed at which the vehicles collide	•	•	•	•	£900.00
VC1	Garage door opener (Homelink®**). Programmable radio-operated remote control for compatible doors/gates. Control buttons integrated in the front roof module	•	•	•	•	£180.00
QQ1	Interior light package. Includes front and rear footwell lighting, active door reflectors, illuminated vanity mirrors, entrance lights and illuminated glove compartment, vents and internal door controls	•	•	•	S	£150.00



Adaptive cruise control



Advanced key

Interior equipment

Order Code		SE	S line	S line Special Edition Plus	S5 quattro	Total RRP inc VAT
9K1	Head-level heating system. Includes vents in the front seat backrest that blow hot air onto your neck as you drive. Can be adjusted in three stages. Only in combination with front Sports seats or Climate comfort seats	●	●	S	—	£350.00
7HB	Leather armrests. Includes leather-covered armrest on door panels for front and rear	●	S	S	S	£205.00
YSR S3G	Audi exclusive floor mats with leather piping.* Includes 4 floor mats for front and rear (cannot be combined with option YSQ/S3G – Audi exclusive carpets)	●	●	●	●	£450.00
YSQ S3G	Audi exclusive carpets.* Includes 4 Audi exclusive floor mats with leather piping (cannot be combined with option YSR/S3G – Audi exclusive floor mats)	●	●	●	●	£975.00
6Q6	Audi exclusive aluminum gear knob. Manual gearboxes only. Not in combination with interior codes BI, IJ or IF	●	●	●	—	£150.00
3X2	Ski/snowboard bag	●	●	●	●	£70.00

Options are subject to availability and may extend delivery.

- = Not available
- = Available
- S = Standard

*The leather, stitching and piping (where applicable) can be selected from any of the Audi exclusive colours shown on page 52. The carpet colour can also be selected from any of the Audi exclusive colours shown on page 52, except for Crimson red and Saddle brown.

RRP – Recommended Retail Price.

VAT is calculated at 20% but this may alter to reflect any change in the applicable VAT rate.



Head-level heating

Exterior equipment

Make sure your car looks exactly as you want it to by selecting some of our striking options.

Options are subject to availability and may extend delivery.

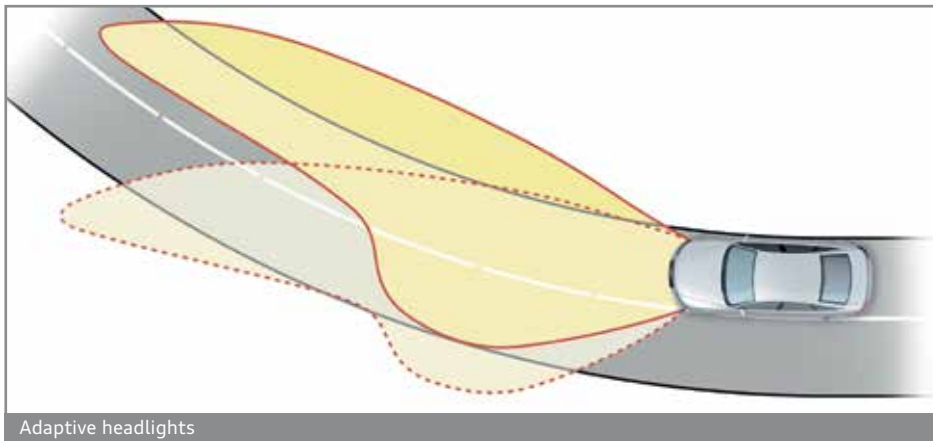
- = Not available
- = Available
- S = Standard

*Additional wiring is required for auxiliary equipment.

RRP – Recommended Retail Price.

VAT is calculated at 20% but this may alter to reflect any change in the applicable VAT rate.

Order Code		SE	S line	S line Special Edition Plus	S5 quattro	Total RRP inc VAT
8N7	High-beam assist. Automatically adjusts headlights from high-beam to dipped-beam when another vehicle is approaching	•	•	•	•	£110.00
8Q5	Adaptive lights. Swivelling headlights for improved illumination of a winding road	–	•	•	•	£330.00
PX1 8Q5	Adaptive headlights. Swivelling headlights for improved illumination of a winding road. Includes Xenon Plus headlights with LED daytime-running lights and headlight washers	•	–	–	–	£1,130.00
3FT	Acoustic hood – fully automatic. Additional foam layer within hood further reduces wind noise. Includes rear LED reading lights	•	S	S	S	£220.00
2Z0	Deletion of model and engine technology designation at rear	•	•	•	–	No charge
2Z7	Deletion of engine technology designation at rear	•	•	•	–	No charge
6XE	Door mirrors – electrically adjustable, folding and heated. Includes automatic kerb view function, which tilts the passenger mirror downwards towards the kerb when reverse gear is engaged	•	•	•	•	£180.00
6XK	Door mirrors – electrically folding, heated and auto-dimming. Includes automatic kerb view function, which tilts the passenger mirror downwards towards the kerb when reverse gear is engaged	•	•	•	•	£290.00
1D2	Tow bar – removable. Includes single European 13-pin electrical socket and may require a 13- to 7-pin adapter. Please consult your Audi Centre for details*	•	•	•	–	£665.00



Adaptive headlights



Xenon Plus headlights with LED daytime-running lights

Safety and security

Intelligent technology designed to give you better all-round awareness and safety on the road.

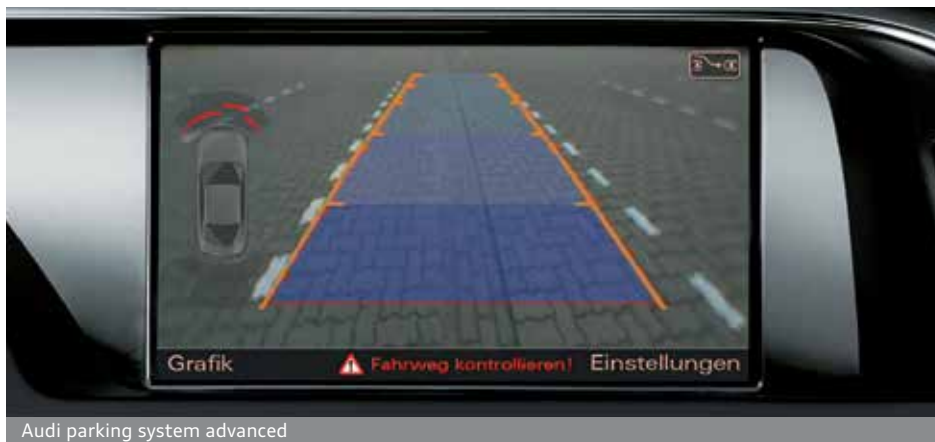
Order Code		SE	S line	S line Special Edition Plus	S5 quattro	Total RRP inc VAT
7X8	Audi parking system advanced. Aids parking by acoustically and visually indicating distances to obstacles with guiding lines. Measured by sensors and reversing camera. Only in combination with Technology package (WB6) or Satellite Navigation	•	•	S	•	£340.00
7Y1	Audi side assist. Aids the driver when changing lane. Audi side assist monitors the area behind the car using radar sensors located discreetly in the rear bumper, informing the driver with a visual warning signal in the door mirror if there is a vehicle in their blind spot or approaching quickly from behind. The system is activated using a button in the driver's door	•	•	•	•	£440.00

Options are subject to availability and may extend delivery.

- = Not available
- = Available
- S = Standard

RRP – Recommended Retail Price.

VAT is calculated at 20% but this may alter to reflect any change in the applicable VAT rate.



Safety and security

Intelligent technology designed to give you better all-round awareness and safety on the road.

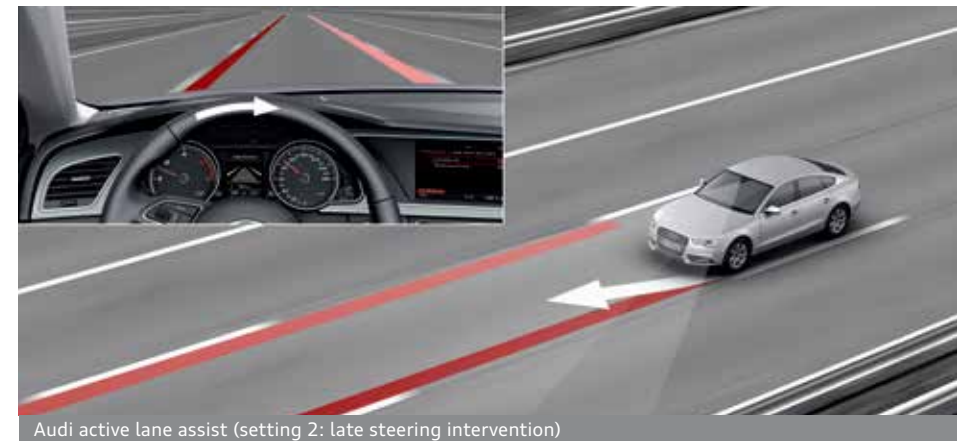
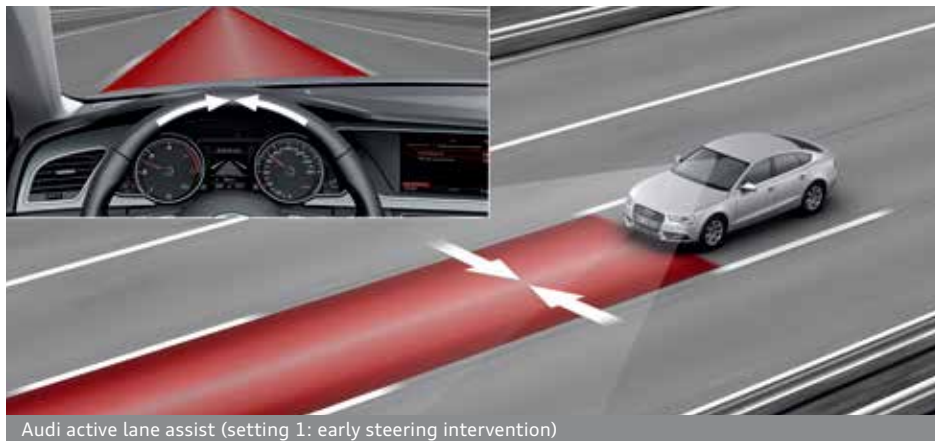
Order Code		SE	S line	S line Special Edition Plus	S5 quattro	Total RRP inc VAT
7Y4	Audi active lane assist. Uses a discreet camera mounted at the top of the windscreen to monitor the road ahead. Assists the driver to stay in lane with gentle steering impulses. Informs the driver if the car is drifting out of lane unintentionally above 37mph. Choice of two settings: early steering intervention with continuous steering impulses to centre vehicle in lane and late steering intervention which alerts the driver that the vehicle is potentially crossing lanes and applies corrective steering prompt	●	●	●	●	£370.00
UH2	Audi hill-hold assist. Uses either the ESP system or electromechanical parking brake to hold the vehicle stationary	●	●	●	●	£65.00

Options are subject to availability and may extend delivery.

- = Not available
- = Available
- S = Standard

RRP – Recommended Retail Price.

VAT is calculated at 20% but this may alter to reflect any change in the applicable VAT rate.



Steering wheels

You can choose from a selection of advanced leather multi-function steering wheels, allowing you to control your audio system at the touch of a button.

Order Code		SE	S line	S line Special Edition Plus	S5 quattro	Total RRP inc VAT
2PF	3-spoke multi-function flat-bottomed steering wheel.* Manual models only	—	●	●	—	£100.00
2PK	3-spoke multi-function flat-bottomed steering wheel with gear-shift paddles.* Automatic models only	—	●	●	●	£100.00
YRB S3G	Audi exclusive controls package.** Includes leather-covered steering wheel and gear-shift gaiter	●	●	●	●	£750.00

Options are subject to availability and may extend delivery.

- = Not available
- = Available
- S = Standard

*Flat-bottomed steering wheels are not available in combination with Audi exclusive line.

**The leather and stitching (where applicable) can be selected from any of the Audi exclusive colours shown on page 52.

RRP – Recommended Retail Price.

VAT is calculated at 20% but this may alter to reflect any change in the applicable VAT rate.



Looking after your Audi

When you've chosen your ideal model, it's reassuring to know that it will remain in safe hands. That's why we've created products to protect your Audi, from extended warranties to Audi Complete – our comprehensive service and maintenance package. And there's also a range of Audi accessories and merchandise to choose from, enabling you to further enhance and safeguard your car.





Audi Complete

If you drive under 10,000 miles per annum your vehicle will be placed on a fixed inspection service schedule. If your mileage tends to exceed 10,000 miles per annum it will be placed on the Flexible Service schedule.

Audi Complete is our fixed-cost maintenance plan, which helps you to keep your Audi in top condition and stay in control of your finances. For a simple monthly payment, you could cover your car's servicing, maintenance and, if you want, its tyres too.

So not only will you ensure your car runs smoothly, you'll also protect its future resale value. And because everything's covered by one competitive price, there's no need to go anywhere else.

Pricing is completely tailored to your vehicle and takes into consideration the options you have on your vehicle and your likely annual mileage and resultant service schedule. Please speak to your Audi Centre for a personalised quote for Audi Complete.

Warranty

All new Audi models now come with a choice of three, four or five-year warranty.* What's more, if you decide to sell your Audi before the warranty expires, it will be fully transferred to the new owner. So, whichever length of warranty you choose, you can forget about unexpected repair bills and enjoy several years of carefree driving.

Options are subject to availability and may extend delivery.

- = Not available
- = Available
- S = Standard

*Three year warranty consists of a two-year unlimited mileage warranty and a third year warranty with a 60,000 mile limitation. Four year warranty consists of a two-year unlimited mileage warranty and two further years' coverage with a 75,000 mile limitation. Five year warranty consists of a two-year unlimited mileage warranty and three further years' coverage with a 90,000 mile limitation.

**Only available prior to registration of your new A5 Cabriolet. Please speak to your Audi Centre for full details.

RRP - Recommended Retail Price.

VAT is calculated at 20% but this may alter to reflect any change in the applicable VAT rate.

Order Code		A5 Cabriolet	S5 quattro	Total RRP inc VAT
-	Audi Warranty , covering you for unlimited mileage in the first two years of ownership, and up to 60,000 miles in the third year. Transferable between owners**	S	S	No charge
EA6	Audi Warranty , covering you for up to 4 years or 75,000 miles, whichever comes sooner. Cover includes a two-year unlimited mileage warranty, and up to 75,000 miles in the third and fourth years. Transferable between owners**	•	•	£535.00



Accessories

Choosing an Audi isn't just a matter of deciding on the model you want; it's about creating a car that suits your needs perfectly. And that's why we've developed a whole range of accessories to enhance your A5 Cabriolet, enabling you to customise it down to the last detail. Like your Audi, all these accessories are developed to the highest possible standards. They're all available exclusively from Audi.

To find out more, just visit audi.co.uk/accessories or contact your local Audi Centre.

Warranty

All of the accessories available on the A5 Cabriolet are covered by a three-year warranty* if they are ordered and included in the purchase price of the car at date of delivery. Any accessories ordered and installed after delivery include a two-year warranty.*

*Excluding Road Angel products.
Audi Accessories warranty terms and conditions can be found at audi.co.uk



Merchandise

From the enthusiasts' motorsport collection to the sophisticated Audi collection, there's a wide variety of adults' and children's clothing, lifestyle accessories and collectables, all of which bear the Audi name.

Please speak to a member of our team at your local Audi Centre to see the full Audi collection and to place an order. A selection of Audi merchandise is also available to buy from audi.co.uk/merchandise



Image shown is the Audi kids' car legends, item number 320.13.004.00

The Audi Difference

The experts in Vorsprung durch Technik

Our Audi Approved Master Technicians have undergone an impressive 100,000 hours of training over a 10-year programme to ensure they have the latest technical expertise for maintaining and servicing your Audi. All our Service Advisors undergo a specialist induction and training to ensure they are Audi professionals and able to talk to you about any issues you may have with your Audi vehicle.

Servicing tailored to your needs

Regular servicing is key to safeguarding your Audi's performance and a full Audi service history could help you enhance the future re-sale value. To make servicing easy, the Audi Service Schedules have been designed to work with your individual driving style and vehicle.

We offer two different schedules: the fixed Inspection Service and the Flexible Service schedule. The conventional fixed Inspection Service schedule has fixed intervals for the Oil-change Service and Inspection Service, which are determined by time and distance.

With the Flexible Service schedule, the Inspection Service intervals are also fixed but the Oil-change Service intervals are variable. Sensors take account of driving style and conditions to determine when the Oil-change Service is required and the driver is informed via the on-board service interval display.

The choice of Service Schedule will depend on journey type and mileage as well as individual driving style and conditions. The table to the right can be used for guidance but your Audi Centre will help you to determine the most suitable Service schedule for you based on your individual circumstances and preferences.

Fixed Inspection Service Schedule

	Vehicle usage:
Mileage	Less than 10,000 miles per annum Mainly city/town centre driving. Short journeys.
	Service Intervals:
Oil-change Service	Fixed to every 9,000+ miles/1 year
Inspection Service	Fixed to every 19,000+ miles/2 years

Flexible Service Schedule

	Vehicle usage:
Mileage	More than 10,000 miles per annum Motorway and main road driving. Mainly longer distance journeys. Constant speeds.
	Service Intervals:
Oil-change Service	Variable to a maximum of every 19,000+ miles/2 years
Inspection Service	Fixed to every 19,000+ miles/2 years

When a vehicle is frequently used in the following conditions, we recommend a Fixed Inspection Service Schedule, regardless of mileage:

Uneconomical driving styles, e.g. heavy acceleration and braking, constant use of high revs
High engine-loading conditions, e.g. frequent towing and hill climbs

*As indicated by the service interval display. Mileages are approximate as the Service Indicator system uses kilometres as its distance measurement.

Your convenience comes first

At Audi you can choose from a range of convenient services that suit your needs. Why not book a 'service while you wait' appointment* and enjoy our complimentary refreshments while your car is with us? Or, if you need to be mobile, take advantage of one of our courtesy cars which we can even deliver to you.* We guarantee we can service your Audi within 5 days without a courtesy car or within 10 days if you need transport. We will also ensure your car is returned to you with a full valet.

Audi Genuine Parts

You can rest assured that only Audi Genuine Parts will be used on your vehicle. What's more, Audi parts and labour come with a 2-year guarantee.**

No hidden costs

We believe strongly in transparency when it comes to our prices. For added peace of mind, we will give you a quotation over the phone for the work you have requested and email you the price confirmation. We'll consult you if any additional work on your car is needed when it is with us. We won't carry out any extra work without asking your permission first.

All part of the service

Whenever we see an Audi for a service, we connect it directly to our headquarters in Ingolstadt which enables us to check your car's software and make sure it's as up-to-date as possible. If the factory has released a software upgrade for your model, it can be applied immediately - improving anything from your car's efficiency to the precision of its parking system.

Audi Roadside Assistance

Your new car comes complete with 3 years' complimentary roadside assistance and recovery across the UK, provided by Automobile Association Insurance Services Limited. Also included is roadside assistance throughout Europe, managed by Automobile Association Insurance Services Limited.

For further information and terms and conditions please visit audi.co.uk

*Subject to availability.
**Excludes wear and tear.



A5 Cabriolet Petrol technical data

Engine	1.8 TFSI	1.8 TFSI	2.0 TFSI	2.0 TFSI	2.0 TFSI quattro
Transmission	6-speed manual	multitronic	6-speed manual	multitronic	7-speed S tronic
Cylinder	4-cylinder	4-cylinder	4-cylinder	4-cylinder	4-cylinder
Displacement, cubic cm (valves per cylinder)	1798	1798	1984	1984	1984
Max. power ¹ , PS	177/4000-6200	177/4000-6200	225/4500-6250	225/4500-6250	225/4500-6250
Max. torque, Nm at rpm	320/1400-3850	320/1400-3850	350/1500-4500	350/1500-4500	350/1500-4500
Top speed, mph	139	133	152	146	149
0-62mph acceleration, seconds	8.7	8.9	7.4	7.6	7.2
ABI insurance group 1-50*	TBC	TBC	TBC	TBC	TBC
Unladen weight ² , kg	1620	1655	1630	1660	1735
Gross weight limit, kg	2170	2205	2180	2210	2285
Roof load limit/Nose weight, kg	-/80	-/80	-/80	-/80	-/80
Max trailer load unbraked ³ , kg	750	750	750	750	750
Max trailer load with 12% gradient ³ , kg	1500	1300	1500	1500	1700
Max trailer load with 8% gradient ³ , kg	1700	1500	1700	1700	1900
Luggage compartment capacity, litres, seats folded up/down	380/750	380/750	380/750	380/750	380/750
Fuel tank capacity approx, litres	63	63	63	63	61
Emission standard	EU6	EU6	EU6	EU6	EU6

*Highest insurance group rating shown. Group may be lower dependent on trim level. Please visit www.thatcham.org/abigrouprating for details.

¹The given value was obtained in accordance with the specified measurement procedure (the respective current version of the Directive 80/1269/EEC).

²Vehicle's unladen weight without driver (calculated in accordance with the current version of Directive 80/1268/EEC). The fitting of additional equipment may increase the vehicle's unladen weight and drag coefficient, whereupon the potential carrying capacity and top speed will be correspondingly reduced.

³The engine's power output always goes down with increasing altitude. At 1,000m above sea level, and for every additional 1,000m, deduct 10% from the weight of the outfit (trailer load limit + gross weight of the towing vehicle).

Please note: The maximum power output figures are quoted in PS (or Pferdestärke, which is the metric equivalent of brake horsepower). To convert to brake horsepower, divide the PS figure by 1.0139.

A5 Cabriolet Petrol technical data

Depending upon your chosen A5 Cabriolet wheel size, different efficiency figures for CO₂ emissions and fuel consumption will apply (based on EU directive no. 715/2007 effective from 01/09/14). This table is a quick reference guide to assist you in finding the correct values based on wheels sizes and your chosen engine.

Engine		1.8 TFSI	1.8 TFSI	2.0 TFSI	2.0 TFSI	2.0 TFSI
Transmission		6-speed manual	multitronic	6-speed manual	multitronic	7-speed S tronic
Max. power ¹ , PS at rpm		177/1400-3850	177/1400-3850	225/1500-4500	225/1500-4500	225/1500-4500
CO ₂ emissions ² , g/km	17" wheels	137	139	144	144	160
	18" wheels	144	146	152	153	167
	19" wheels	154	154	157	156	175
Benefit in kind (BIK)%	17" wheels	22%	22%	23%	23%	27%
	18" wheels	23%	24%	25%	25%	28%
	19" wheels	25%	25%	26%	26%	30%
Fuel consumption ² , mpg (l/100km) Urban	17" wheels	37.7 (7.5)	38.7 (7.3)	34.9 (8.1)	36.7 (7.7)	32.8 (8.6)
	18" wheels	36.7 (7.7)	37.2 (7.6)	33.6 (8.4)	34.9 (8.1)	31.4 (9.0)
	19" wheels	34.9 (8.1)	36.2 (7.8)	32.8 (8.6)	34.4 (8.2)	30.4 (9.3)
Fuel consumption ² , mpg (l/100km) Extra Urban	17" wheels	55.4 (5.1)	54.3 (5.2)	54.3 (5.2)	52.3 (5.4)	47.9 (5.9)
	18" wheels	52.3 (5.4)	50.4 (5.6)	50.4 (5.6)	48.7 (5.8)	45.6 (6.2)
	19" wheels	48.7 (5.8)	47.1 (6.0)	47.9 (5.9)	47.9 (5.9)	42.8 (6.6)
Fuel consumption ² , mpg (l/100km) Combined	17" wheels	47.9 (5.9)	47.1 (6.0)	44.8 (6.3)	45.6 (6.2)	40.9 (6.9)
	18" wheels	45.6 (6.2)	44.8 (6.3)	42.8 (6.6)	42.8 (6.6)	38.7 (7.3)
	19" wheels	42.2 (6.7)	42.2 (6.7)	40.9 (6.9)	42.2 (6.7)	37.2 (7.6)

¹The given value was obtained in accordance with the specified measurement procedure (the respective current version of the Directive 80/1269/EEC).

²Fuel consumption and CO₂ emissions figures are obtained under standardised test conditions (Directive 93/116/EEC) using a representative model. This allows direct comparison between different models from different manufacturers, but may not represent the actual fuel consumption achieved in 'real world' driving conditions. More information is available at www.dft.gov.uk/vca

Please note: The maximum power output figures are quoted in PS (or Pferdestärke, which is the metric equivalent of brake horsepower). To convert to brake horsepower, divide the PS figure by 1.0139.

A5 Cabriolet Diesel technical data

Engine	2.0 TDI	2.0 TDI	2.0 TDI	3.0 TDI quattro
Transmission	6-speed manual	6-speed manual	multitronic	7-speed S tronic
Cylinder	4-cylinder	4-cylinder	4-cylinder	V6
Displacement, cubic cm (valves per cylinder)	1968	1968	1968	2967
Max. power ¹ , PS	150/3250-4200	190/3800-4200	190/3800-4200	245/4000-4500
Max. torque, Nm at rpm	320/1500-3250	400/1750-3000	400/1750-3000	580/1750-2500
Top speed, mph	130	145	140	155 [†]
0-62mph acceleration, seconds	10.2	8.2	8.3	6.3
ABI insurance group 1-50*	TBC	TBC	TBC	TBC
Unladen weight ² , kg	1710	1710	1745	1900
Gross weight limit, kg	2260	2260	2295	2450
Roof load limit/Nose weight, kg	80	80	80	80
Max trailer load unbraked ³ , kg	750	750	750	750
Max trailer load with 12% gradient ³ , kg	1600	1600	1700	1900
Max trailer load with 8% gradient ³ , kg	1800	1800	1900	2100
Luggage compartment capacity, litres, seats folded up/down	380/750	380/750	380/750	380/750
Fuel tank capacity approx, litres	63	63	63	61
Emission standard	EU6 [^]	EU6 [^]	EU6 [^]	EU6 [^]

[^]The addition of AdBlue(R) technology ensures compliance with EU6 emissions standards. The AdBlue tank may require filling between services.

[†]Limited

*Highest insurance group rating shown. Group may be lower dependent on trim level. Please visit www.thatcham.org/abigrouprating for details.

¹The given value was obtained in accordance with the specified measurement procedure (the respective current version of the Directive 80/1269/EEC).

²Vehicle's unladen weight without driver (calculated in accordance with the current version of Directive 80/1268/EEC). The fitting of additional equipment may increase the vehicle's unladen weight and drag coefficient, whereupon the potential carrying capacity and top speed will be correspondingly reduced.

³The engine's power output always goes down with increasing altitude. At 1,000m above sea level, and for every additional 1,000m, deduct 10% from the weight of the outfit (trailer load limit + gross weight of the towing vehicle).

Please note: The maximum power output figures are quoted in PS (or Pferdestärke, which is the metric equivalent of brake horsepower). To convert to brake horsepower, divide the PS figure by 1.0139.

A5 Cabriolet Diesel technical data

Depending upon your chosen A5 Cabriolet wheel size, different efficiency figures for CO₂ emissions and fuel consumption will apply (based on EU directive no. 715/2007 effective from 01/09/14). This table is a quick reference guide to assist you in finding the correct values based on wheels sizes and your chosen engine.

Engine		2.0 TDI	2.0 TDI	2.0 TDI	3.0 TDI quattro
Transmission		6-speed manual	6-speed manual	multitronic	7-speed S tronic
Max. power ¹ , PS at rpm		150/1500-3250	190/1750-3000	190/1750-3000	245/1750-2500
CO ₂ emissions ² , g/km	17" wheels	123	125	124	-
	18" wheels	129	133	134	167
	19" wheels	132	138	139	173
Benefit in kind (BIK)%	17" wheels	22%	23%	22%	-
	18" wheels	23%	24%	24%	31%
	19" wheels	24%	25%	25%	32%
Fuel consumption ² , mpg (l/100km) Urban	17" wheels	50.4 (5.6)	49.6 (5.7)	51.4 (5.5)	-
	18" wheels	49.6 (5.7)	47.1 (6.0)	48.7 (5.8)	37.2 (7.6)
	19" wheels	48.7 (5.8)	45.6 (6.2)	47.9 (5.9)	36.2 (7.8)
Fuel consumption ² , mpg (l/100km) Extra Urban	17" wheels	67.3 (4.2)	65.7 (4.3)	65.7 (4.3)	-
	18" wheels	64.2 (4.4)	61.4 (4.6)	60.1 (4.7)	50.4 (5.6)
	19" wheels	61.4 (4.6)	58.9 (4.8)	57.6 (4.9)	47.9 (5.9)
Fuel consumption ² , mpg (l/100km) Combined	17" wheels	60.1 (4.7)	58.9 (4.8)	60.1 (4.7)	-
	18" wheels	57.6 (4.9)	55.4 (5.1)	55.4 (5.1)	44.1 (6.4)
	19" wheels	56.5 (5.0)	53.3 (5.3)	54.3 (5.2)	42.8 (6.6)

¹The given value was obtained in accordance with the specified measurement procedure (the respective current version of the Directive 80/1269/EEC).

²Fuel consumption and CO₂ emissions figures are obtained under standardised test conditions (Directive 93/116/EEC) using a representative model. This allows direct comparison between different models from different manufacturers, but may not represent the actual fuel consumption achieved in 'real world' driving conditions. More information is available at www.dft.gov.uk/vca

Please note: The maximum power output figures are quoted in PS (or Pferdestärke, which is the metric equivalent of brake horsepower). To convert to brake horsepower, divide the PS figure by 1.0139.

S5 Cabriolet technical data

Depending upon your chosen S5 Cabriolet wheel size, different efficiency figures for CO2 emissions and fuel consumption will apply (based on EU directive no. 715/2007 effective from 01/09/14). This table is a quick reference guide to assist you in finding the correct values based on wheels sizes and your chosen engine.

*Limited.

*Highest insurance group rating shown. Group may be lower dependent on trim level. Please visit www.thatcham.org/abigrouprating for details.

¹The given value was obtained in accordance with the specified measurement procedure (the respective current version of the Directive 80/1269/EEC).

²Fuel consumption and CO2 emissions figures are obtained under standardised test conditions (Directive 93/116/EEC) using a representative model. This allows direct comparison between different models from different manufacturers, but may not represent the actual fuel consumption achieved in 'real world' driving conditions. More information is available at www.dft.gov.uk/vca

³Vehicle's unladen weight without driver (calculated in accordance with the current version of Directive 80/1268/EEC). The fitting of additional equipment may increase the vehicle's unladen weight and drag coefficient, whereupon the potential carrying capacity and top speed will be correspondingly reduced.

⁴The engine's power output always goes down with increasing altitude. At 1,000m above sea level, and for every additional 1,000m, deduct 10% from the weight of the outfit (trailer load limit + gross weight of the towing vehicle).

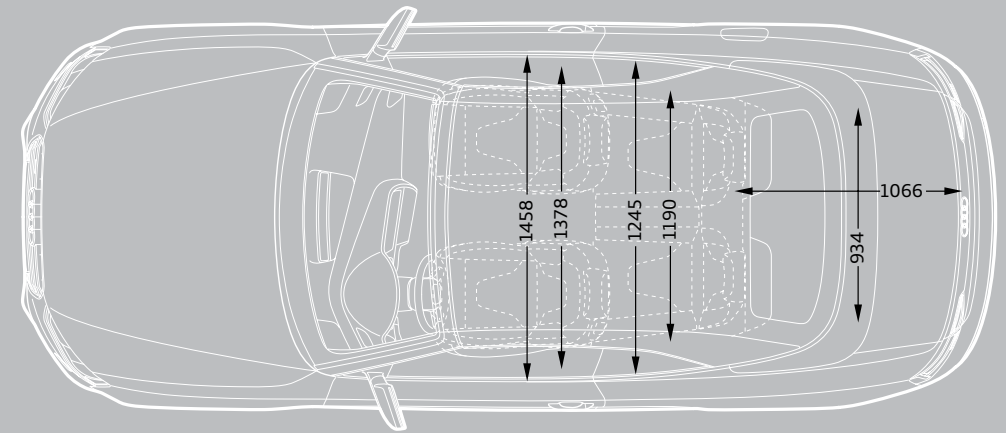
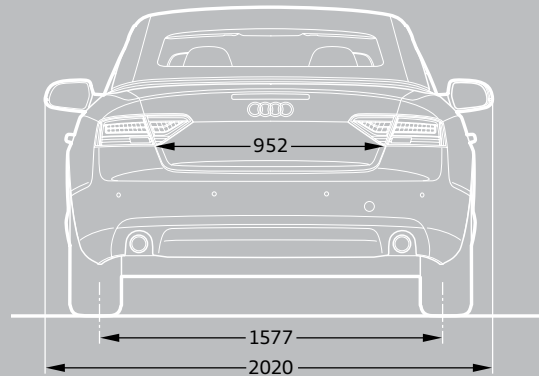
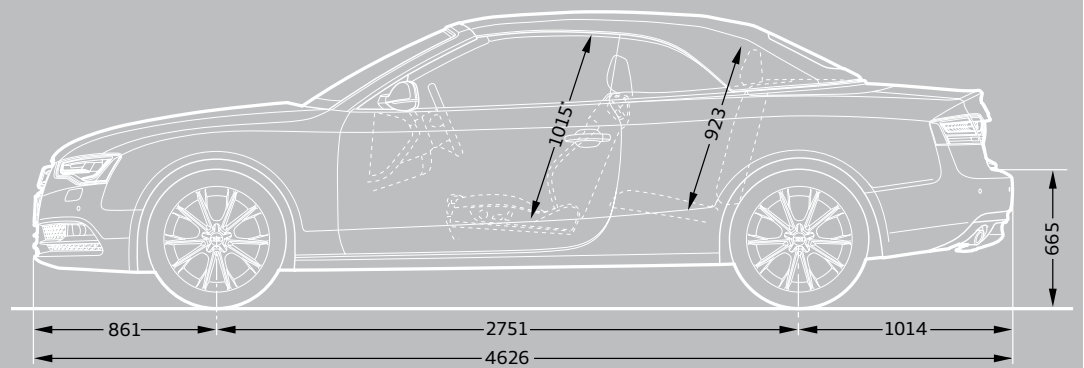
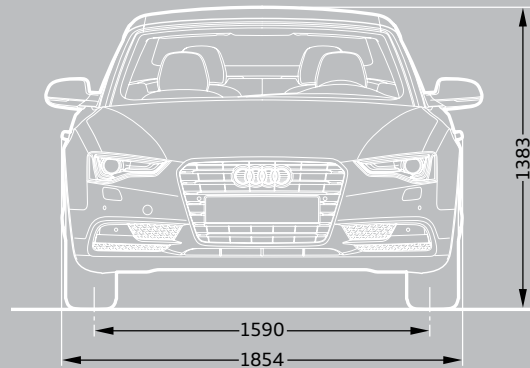
Please note: The maximum power output figures are quoted in PS (or Pferdestärke, which is the metric equivalent of brake horsepower). To convert to brake horsepower, divide the PS figure by 1.0139.

Engine	S5 quattro
Transmission	7-speed S tronic
Cylinder	V6
Displacement, cubic cm (valves per cylinder)	2995
Max. power ¹ , PS	333
Max. torque, Nm at rpm	440/2900-5300
Top speed, mph	155*
0-62mph acceleration, seconds	5.4
ABI insurance group 1-50*	TBC
Unladen weight ³ , kg	1880
Gross weight limit, kg	2430
Roof load/Nose weight, kg	80
Max trailer load unbraked ⁴ , kg	750
Max trailer load with 12% gradient ⁴ , kg	1900
Max trailer load with 8% gradient ⁴ , kg	2100
Luggage compartment capacity, litres, seats folded up/down	380/750
Fuel tank capacity approx, litres	61
Emission standard	EU6

Engine	S5 Coupé quattro	
Transmission	7-speed S tronic	
Max. power ¹ , PS at rpm	333/2900-5300	
CO ₂ emissions ² , g/km	19" wheels	189
	20" wheels	189
Benefit in kind (BIK)%	19" wheels	32%
	20" wheels	32%
Fuel consumption ² , mpg (l/100km) Urban	19" wheels	26.9 (10.5)
	20" wheels	26.9 (10.5)
Fuel consumption ² , mpg (l/100km) Extra Urban	19" wheels	41.5 (6.8)
	20" wheels	41.5 (6.8)
Fuel consumption ² , mpg (l/100km) Combined	19" wheels	34.9 (8.1)
	20" wheels	34.9 (8.1)

A5 Cabriolet dimensions

The technical drawings opposite show the exact dimensions of the Audi A5 Cabriolet, so you can check everything – from whether the car will fit in your garage to whether your luggage will fit in the boot.



*Maximum headroom.

Dimensions measured with vehicle at unladen weight, ground clearance measured with vehicle carrying its maximum load.

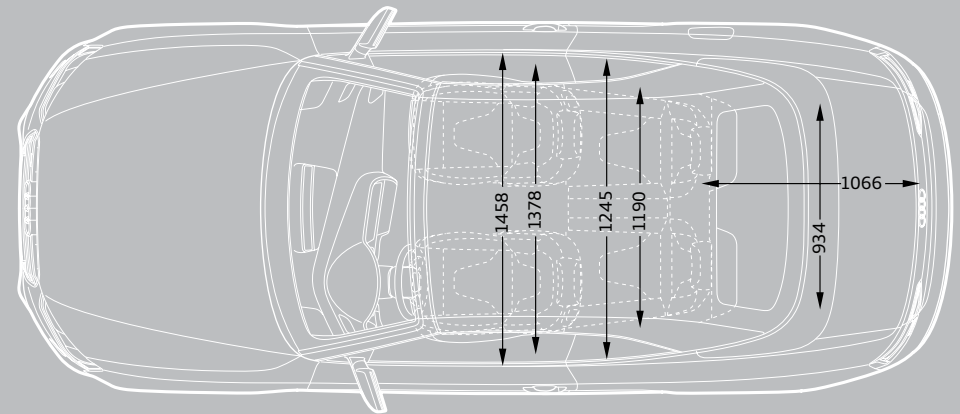
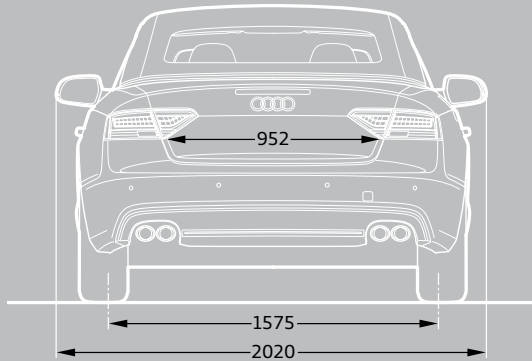
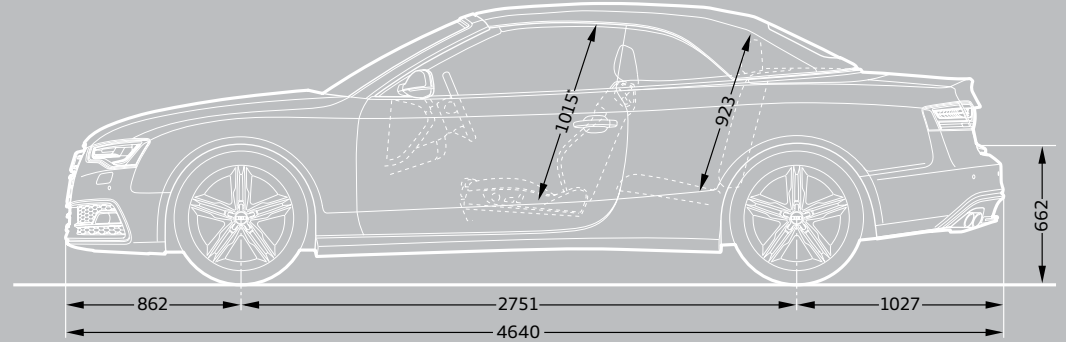
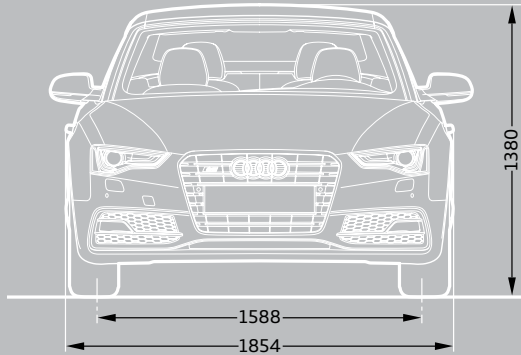
Luggage compartment volume in litres: 320 with hood open, 360 with hood closed, 750 with rear seats folded (measured by the VDA standard test method using 200 x 100 x 50 mm blocks; second value: with rear seat folded down).

Turning circle approx 11.4m.

Dimensions in millimetres.

S5 Cabriolet dimensions

The technical drawings opposite show the exact dimensions of the Audi S5 Cabriolet, so you can check everything - from whether the car will fit in your garage to whether your luggage will fit in the boot.



*Maximum headroom.

Dimensions measured with vehicle at unladen weight, ground clearance measured with vehicle carrying its maximum load.

Luggage compartment volume in litres: 320 with hood open, 360 with hood closed, 750 with rear seats folded (measured by the VDA standard test method using 200 x 100 x 50 mm blocks; second value: with rear seat folded down).

Turning circle approx 11.4m.

Dimensions in millimetres.

Pricing and Additional information

Welcome to Audi

By placing an order for your Audi, you're choosing to get behind the wheel of one of the most sophisticated cars on the road. And because we believe the service we offer should be just as advanced, we want to let you know exactly what you can expect from us, now and in the future.

We've agreed a set of standards with all our Centres which governs the way we do business with you. It outlines the kind of service we promise to deliver for every customer, right down to filling each new Audi we sell with half a tank of fuel.

So whether you're interested in the date your car will arrive in the UK or the way we'll dispose of non-biodegradable materials after we service your Audi, you can have total confidence in us.

Audi Promise

Audi Centres

We guarantee that all our Centres will be open as follows:

Sales: Monday to Friday 9am–6pm
Saturday 9am–5pm

Service: Monday to Friday 8am–6pm
Saturday 8.30am–1pm

Sunday opening is at local discretion.

New car delivery

Once we've confirmed a delivery date for your car, we'll keep you informed of progress. Subject to reasonable notice, we'll then deliver it to a place of your choice, whether that's your home or work. In the unlikely event of a delay, we'll provide a courtesy car to minimise inconvenience and keep you mobile.

Environmental commitment

We promise to dispose of all non-biodegradable materials from your vehicle in a responsible manner.

Pricing

Prices and specifications given are correct at the time of printing. Always check details with your Audi Centre as Audi policies are continually developing. We reserve the right to change prices or specifications at any time.

All prices are subject to VAT, currently charged at 20%, but this may alter to reflect any change in the applicable VAT rate.

Delivery charges and number plates are not included in the vehicle price.

Delivery charge	£504.99
Number plate	£20.00
VAT	£105.01
Total	£630.00

Audi Customer Care

Every new Audi benefits from the comprehensive Audi Customer Care Package, which comprises:

- ▶ A 3-year Audi warranty, which covers you for unlimited mileage in the first 2 years of ownership, with a full mechanical and electrical warranty which covers you for up to 60,000 miles in the 3rd year
- ▶ A 3-year paint warranty
- ▶ A 12-year anti-corrosion warranty
- ▶ 3 years' UK roadside assistance and recovery

You also have the option when ordering your new car of choosing a 4-year or 5-year Audi warranty. Speak to a member of the sales team for more information.

Audi tax-free sales

If you are entitled to purchase a vehicle free of VAT, normally through military or diplomatic privilege, please contact your local Audi Centre for full details.

Should you have any difficulty obtaining the information you require, please call 01908 548 356.

Audi Financial Services

Audi Financial Services specialises in providing funding solutions for Audi drivers. Whether your Audi is for private or business use, there is a range of funding options to choose from.

Below is the full range of finance products, which comprises:

- ▶ Solutions – a Personal Contract Plan
- ▶ Hire purchase
- ▶ Lease purchase
- ▶ Finance lease
- ▶ Contract hire

With all products, you can choose a fixed-cost maintenance plan designed to help you budget accurately.

No matter which Audi model you choose, your local Audi Centre can provide you with a personalised quote designed to fit your budget and motoring needs.

Audi Financial Services is a trading name of Volkswagen Financial Services (UK) Limited. An offer of finance depends on certain conditions. Available to people over 18 in the UK only.

Audi Insurance

We want you to start enjoying your new car from day one and thanks to Audi complimentary five day insurance you can. To activate simply call 0330 303 6900, provide us with a few details, and we'll send a cover note to your Audi Centre. They will then tax your car and you can drive it away. Telephone lines are open Monday to Friday 8am – 8pm and Saturday 9am – 4pm. For details of our full range of Insurance products visit insurewithaudi.co.uk

Additional information

CO₂ data and information

CO₂ emissions-based Vehicle Excise Duty

Vehicle Excise Duty (Road Fund Licence) is based upon the amount of Carbon Dioxide (CO₂) a vehicle emits, measured in grams per kilometre (g/km). First year VED rates apply to the first year of ownership. Annual VED rates apply thereafter. The DVLA has created thirteen categories:

Petrol and Diesel engines	First year	Annual rate (second year onwards)
A – up to 100g/km	£0.00	£0.00
B – 101 to 110g/km	£0.00	£20.00
C – 111 to 120g/km	£0.00	£30.00
D – 121 to 130g/km	£0.00	£110.00
E – 131 to 140g/km	£130.00	£130.00
F – 141 to 150g/km	£145.00	£145.00
G – 151 to 165g/km	£180.00	£180.00
H – 166 to 175g/km	£295.00	£205.00
I – 176 to 185g/km	£350.00	£225.00
J – 186 to 200g/km	£490.00	£265.00
K – 201 to 225g/km	£640.00	£290.00
L – 226 to 255g/km	£870.00	£490.00
M – over 255g/km	£1,100.00	£505.00

Vehicle Excise Duty (VED) rates correct at time of going to print, but these may alter to reflect any change in the applicable VED rate.





Audi UK

Customer Services
Selectapost 29
Sheffield
S97 3FG
0800 699888
audi.co.uk

Specifications and prices subject
to change without notice.

© Audi UK

Printed in the UK
Edition 6.0 04/15
2016 model year

Images for illustrative purposes only.