

**The new Audi A6 and S6 Saloon and Avant**  
Pricing and Specification Guide  
Valid from March 2015



## Personalising your Audi A6

This guide has been designed to help you tailor and price your Audi A6 quickly and logically. At the back, you will find information on CO2 emissions-based taxation and the other services offered by Audi, including Finance and Insurance. You can also configure your Audi A6 online at [audi.co.uk](http://audi.co.uk)



**Get more from this brochure with the free Audi Vision app.**

Audi Vision brings our brochures to life through Augmented Reality. It works by recognising images on a page through your device's camera. Suitable for phones or tablets, download it for free from the App Store or Google Play. Once downloaded, simply open the app and scan the cover of your guide. Then look out for any page with the Audi Vision logo, you can then hold your device over the page and watch as you get exclusive access to extra images, information and video content.



### The Audi A6

Matrix LED headlights	8
quattro®	12
ultra	14
Technology	16
Audi Connect	18
S6	20

### Model details and prices

SE model equipment	22
S line model equipment	24
Black Edition model equipment	26
S6 model equipment	28
Model prices	30

### Colour and upholstery

Paint	32
Upholstery and seats	36
Seat options	43
Colour and trim guide	44

### Inlays

### Options

Wheels and tyres	50
Suspension	54
Packages	56
Headlights	59
Interior equipment	60
Exterior equipment	61
Audio and communication	63
Safety and security	64
Steering wheels	67

### Looking after your Audi

Audi Complete and Warranty	68
Accessories	71
Merchandise	72
Audi Difference	73

### Technical details

Technical data	74
Dimensions	79
Pricing and Additional information	83





## Vorsprung durch Technik

Three words that express the very essence of Audi. Vorsprung durch Technik isn't a slogan. It's our way of seeing the world. It is the driving force behind our history of innovation that continues into the 21st century. Indeed, many technologies that Audi pioneered remain in our cars today. Some are milestones in the history of the motorcar.

From our beginnings in 1899, to the Auto Union team's Grand Prix successes in the 1930s and our more recent wins at Le Mans, we have always been at the forefront of the motor industry.

Vorsprung durch Technik makes us who we are. To see more of its influence, just read on.

## The Audi A6 Enhanced driving

As well as striking exterior features like 17" alloy wheels and sharply contoured Xenon headlights, the Audi A6 also incorporates interior features such as SD card based Satellite Navigation, four-zone climate control and leather interior.

The A6 also includes a range of new, optional technologies designed to help you behind the wheel. These include Audi Matrix LED headlights, which adapt automatically to the car's surroundings, Audi Connect – that lets you and your passengers access the internet on the move and our top of the range MMI Satellite Navigation Plus, which includes picture book navigation and MMI touchpad.

Read on to see everything the Audi A6 has to offer.





# Matrix LED lights

**That turn night  
into day.  
And more.**

The Audi A6's optional cutting-edge Matrix LED headlights don't just produce a light that is similar in colour to daylight. They also incorporate remarkable technology that adapts automatically to the car's surroundings.

Sensors and an inbuilt camera allow Matrix LED headlights to detect the rear and oncoming lights of other road users, as well as ambient light in built-up areas. The technology then reacts by dipping individual LEDs to prevent dazzle, while still fully illuminating the remainder of the road.

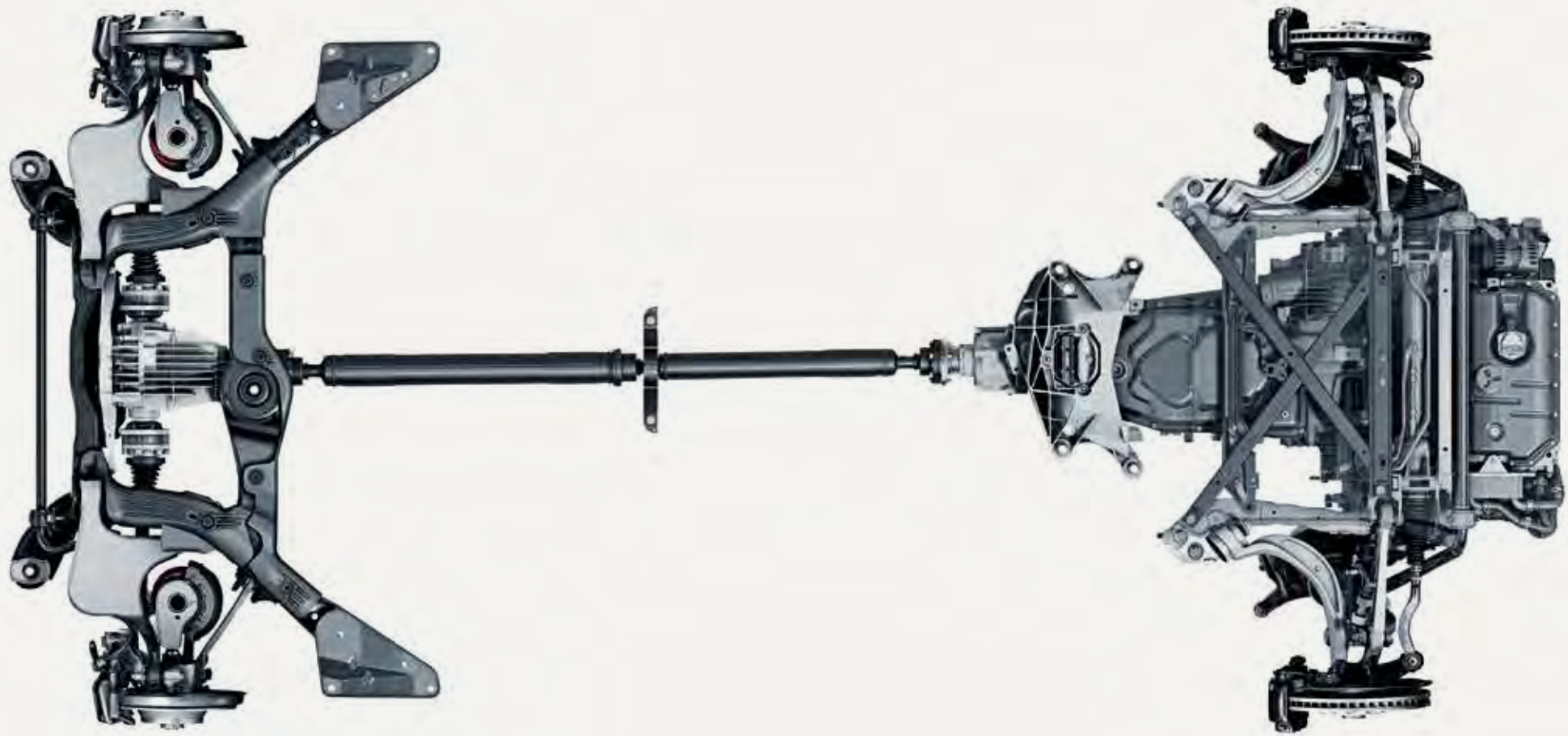
Using the vehicle's navigation data, Matrix LED technology can even anticipate corners, adjusting LEDs as you negotiate the bend. The result is a much wider visual range, benefitting both you and other road users. Dynamic sweeping indicators complete the striking look both at the front and rear.











# quattro®

A heightened driving experience with ultimate control: it's what makes quattro such a thrilling enhancement to the A6 drive.

quattro is Audi's intuitive all-wheel drive system. Constantly analysing grip and distributing power to where it's needed most, the four permanently driven wheels deliver more responsive acceleration and assured grip on all surfaces.

And that's especially true when road conditions change. If one wheel loses traction, quattro makes sure the others compensate to keep the car in control. Giving you a dynamic driving experience with superior handling – even in less-than-perfect driving conditions.

## **quattro® with Sports differential**

Fitted as standard on the S6 and as an option on the A6 quattro models, quattro with Sports differential takes the driving dynamics of quattro to a whole new level, ensuring outstanding stability and superior acceleration performance.

By distributing torque variably to each of the rear wheels, the car steers even more spontaneously and directly. When cornering, for example, power is redirected to the outside rear wheel, literally pushing the car through the bend. Not only is acceleration more responsive, it requires less steering effort – for a more agile, enhanced drive.

# ultra

## **Reducing fuel consumption without reducing driving pleasure.**

At Audi, doing less is something we're trying to do more of. We're constantly working to utilise technologies that use less fuel, release less CO<sub>2</sub> and waste less energy. We call this process ultra. Audi ultra brings together specialist Audi knowledge and the latest innovations to create our most optimised models yet: ultra-efficient, dynamic and powerful.

The A6 has a 2.0-litre TDI ultra engine delivering an impressive 190PS of power with low fuel consumption and CO<sub>2</sub> emissions from just 109g/km on A6 Saloon and 114g/km on A6 Avant. There is also no need to compromise, as our ultra engines are available across all trims and even on our A6 Saloon S line trim with 18" alloys, the CO<sub>2</sub> is only 110g/km.





A close-up photograph of a white leather surface, likely a car seat or steering wheel, featuring embossed initials 'SE'. The leather has a fine, pebbled texture. The word 'Technology' is overlaid in a large, bold, sans-serif font. The letters 'T', 'e', 'c', 'h', 'n', 'o', and 'l' are in a dark maroon color, while 'o', 'l', 'o', 'g', and 'y' are in a lighter, dusty rose color.

# Technology



# Technology is advancing at an ever faster pace, and choosing the right technology for your car is an important decision.

Here at Audi, we strive to make that choice as easy as possible, so we have packaged some of our most popular equipment together for simplicity, but also added value. The most popular of which are our Technology pack and Technology pack Advanced, featuring our top-of-the-range HDD navigation and connectivity systems. For further details please see page 56.



## MMI Navigation Plus with MMI Touch

With HDD-based MMI navigation plus with MMI Touch, you can let yourself be guided to your destination with even greater ease by the 8" display with 3D map view and 3D displays of places of interest and landmark buildings. Destinations can be entered via speech dialogue, the MMI rotor, or the MMI touchpad which recognises handwriting.



## Colour Driver's Information System (DIS)

A high resolution 7" colour display located in the instrument cluster provides key information from the driver assistance systems as well as the media in use, telephone menu, gear reference and outside temperature. The Colour DIS can also display information from optional equipment such as Night vision assistant and Audi lane assist.



## Audi Phone Box

The most convenient way to both use and charge your mobile phone, simply by placing it in the Audi Phone Box storage compartment in the front centre armrest. Audi Phone Box creates a 'wireless' connection to the car for improved reception quality, hands-free facility and voice control. Mobile phone can be charged via the USB port.



## Audi Side Assist

A clever assistance system for multi-lane roads is Audi side assist which helps alert you to other vehicles in your blind spot when changing lanes. Using radar sensors discreetly hidden in the rear bumper, other vehicles are detected and the driver alerted with a visual warning signal in the door mirror.



## Audi Active Lane Assist

An advanced Audi safety system which helps to keep you in lane by means of gentle steering intervention when lane boundary markings are detected. Particularly useful on long motorway journeys is the new active lane centring feature which gives steering assistance to keep your vehicle in the centre of the lane and enhance your driving comfort.



## Adaptive Cruise Control with Stop&Go

The Adaptive cruise control with Stop&Go featuring Pre-sense plus is the most innovative of Audi's driving assist systems. Vehicles ahead are detected by a radar sensor and the distance between the vehicles is kept more or less constant by automatic braking or accelerating. With Pre-sense plus, you add the ultimate in protection with enhanced brake assist functions which can detect and warn of imminent collision threats as well as initiate maximum braking to help avoid or minimise collisions if possible.

# Audi



## WiFi hotspot

Connects your mobile devices to the internet



## Email

Your emails can be transmitted to your Audi MMI and read out conveniently\*



## Text messages

Messages are displayed or read out to you; you can also reply using the dictation function\*



## Facebook

Brings Facebook messaging to your Audi. With text-to-speech and other convenient text functions



## Twitter

Enables you to tweet and receive updates on the move. With text-to-speech and other convenient text functions



## Weather information

Gives you forecasts and maps for your chosen destination



## Map update online

The map version delivered can be updated free of charge with the first 5 navigation updates which are issued at intervals of 6 months. In conjunction with Audi Connect, the update can be carried out online in the vehicle



## News online (individual)

Text and images from your favourite news sources with text-to-speech function



## City events

Up-to-date information about events - happening at your destination



## Points of interest

Search Google™ using voice control



## Traffic information online

Complements the dynamic route guidance with real-time traffic flow information for individual stretches of road



## myAudi – special destinations

Import individual point-of-interest (POI) lists to your satellite navigation system via the myAudi portal



## Train information

Find departure and arrival times and platform information while you're on the road. (Also available for other types of public transport such as underground systems)



## Country specific information

The legal regulations for a specific country, such as speed limits or whether it is compulsory to carry a high-visibility vest or display a motorway toll sticker, are displayed when crossing a border



## Picturebook navigation

Uses GPS data from your photos to get you to your destination



## Fuel prices

Information on filling stations with the cheapest prices in your selected search area



## Parking information

Helps you find car parks nearby and, where available, information on prices and currently vacant spaces



## Flight information

Get information about departure and arrival times as well as the corresponding gates and search directly for flight numbers



## Access smartphone voice control

Such as Siri (iPhone 4S and higher). By pressing and holding the voice control button on the multi-function leather steering wheel you can access the voice control function of the Bluetooth-connected smartphone directly even while driving



## Navigate with Google Earth™ and Google Street View™

Uses high-resolution aerial and satellite images as well as photos to guide you to your destination with ease

# Connect

## Stay networked on the move.

Being inside your car shouldn't mean losing touch with the outside world. That's why, with Audi Connect, the A6 creates a link between you and the Internet.

With high-speed, 4G Internet access in your car, you can go online to access information, entertainment and Google Earth™ navigation maps by scrolling, tapping or speaking your commands. Audi Connect can even read aloud your text messages and allows you to dictate a response. And, with a wireless hotspot within the car, passengers can connect up to 8 mobile devices – to browse the Internet, download emails, or access social media.

With Audi Connect, the world is at your fingertips.

Please note that an external data source is required to enable Audi Connect online services. Terms and conditions apply to certain Audi Connect functions. Please see page 84 for additional information. \*Only available if your mobile phone has the Bluetooth profile MAP (Message Access Profile).





# S6

## Beautiful. Powerful. Efficient.

The S badge on an Audi model signifies something special. And the S6 is no exception.

An enhanced 4.0-litre TFSI 450PS V8 engine, capable of 0-62mph in just 4.4 seconds in S6 Saloon and 4.6 seconds in S6 Avant. Sports adaptive air suspension. quattro® all-wheel-drive with Sports differential. All providing breath-taking performance, harnessed with exceptional agility and handling.

And yet, with innovations like cylinder-on-demand technology that detects different driving styles and adapts engine output accordingly, high performance is intelligently balanced with economy.

Luxury and sportiness: the interior of the S6 unites both, immersing you in total comfort, while staying true to the car's performance credentials. Electrically adjustable leather S Sports seats embody this principle, while Carbon atlas inlays and aluminium-infused trim add a dash of sporting flair.

# SE model equipment

All A6 SE models have the following items of standard equipment

## Engine and transmission

Automatic start-stop system with energy recuperation

Efficiency programme – the Driver's Information System comes with an efficiency programme which offers up-to-the minute advice on ways to help improve fuel economy as you drive

Recuperation – the kinetic energy produced from braking or coasting is converted into electrical energy and stored temporarily in the battery. When accelerating this energy is used, relieving the load on the alternator and can result in a fuel saving of up to 3%

73 litre fuel tank

## Wheels, tyres and suspension

17" x 8J '10-spoke' design alloy wheels with 225/55 R17 tyres

Audi drive select – Features four pre-configured modes (Comfort, Auto, Dynamic and Efficiency), allowing the driver to electronically adjust the engine, transmission and steering

Space-saver spare wheel

Dynamic suspension

## Lighting

Bi-Xenon headlights. Xenon lights for full and dipped beam headlights, includes LED daytime running lights

LED rear lights

## Audio and communication

MMI Navigation (SD card based) – including 6.5-inch MMI colour display with high quality map display, voice control using whole words, dynamic route guidance, additional arrow display in driver information system

Mobile telephone preparation – Bluetooth

Audi Music Interface – Universal connection for use with stereo audio sources, USB and MP3 devices including Apple iPod generation 4 onwards (iPod, iPod classic, iPod mini, iPod nano, iPod photo, iPod video, iPod touch). The interface provides charging function (dependent on device)

MMI Radio Plus and DAB – including:

- 2 x SDHC memory card readers (up to 32GB)
- Single CD player and memory card reader that's supports MP3, WMA and AAC
- TP memo – automatically saves traffic news when driving

## Driver's Information System (DIS).

Monochrome display located in the instrument cluster. The DIS shows the radio frequency/ station or the song title, outside temperature, trip computer, gear-shift display, telephone menu and a rest recommendation feature which visually and acoustically alerts the driver to take a break when getting tired

## Audi Sound System

- 6 channel amplifier
- 180 Watt amplifying capacity
- 10 loud speakers including subwoofer located in spare wheel well

## AUX-IN socket



17" x 8J '10-spoke' design alloy wheels

MMI Navigation (SD card based)

## Exterior equipment

**Exterior mirrors** – electrically adjustable and heated

**Power-operated tailgate (Avant models only)** – opening via the remote control key, and when ordered in combination with the Advanced key (PGB) the tailgate will also close remotely. Opening and closing is also possible using the button in the driver's door panel or the soft touch button on the tailgate. Includes a programmable tailgate opening angle and electrically operated luggage area cover. When the tailgate is opened the luggage cover is automatically drawn back along its rails and then returns when the tailgate is closed

**Tow bar bracket preparation** – the set of parts for retrofitting is available from Audi Accessories (see page 71) or available as an option (see page 61)

**Body-coloured door mirrors**

**Aluminium-effect bootlid/tailgate trim**

**Aluminium roof rails (Avant models only)**

**Body-coloured roof spoiler (Avant models only)**

## Interior equipment

**Deluxe 4-zone air conditioning**

**Acoustic glazing** for windscreen and front windows

**4-spoke leather trimmed multi-function steering wheel** (with paddles for automatic transmissions)

**Auto-dimming rear view mirror**

**Aluminium delta inlays**

**Door sill trims with aluminium inlay**

**Front centre armrest**

**Front and rear floor mats**

**Non-smoking package**

**Cloth headlining**

**Luggage compartment system (Avant models only)** comprising:

- Rail luggage-fixing system
- Dirt-resistant tray
- Double cargo floor
- Lashing points, side restraining straps and bag hooks

## Seating

**Standard seats in Milano leather upholstery**  
Includes manual adjustment for seat height, length, backrest angle, head restraint and belt height

**Split-folding rear seats**

## Assistance systems

**Audi Parking systems plus** – acoustic and visual park assist system for front and rear

**Cruise control**

**Light and rain sensor**

**Tyre pressure loss indicator**

**Hill hold assist**

**Keyless go** – allows engine to be started by simply pressing the start/stop button in the centre console. The key just needs to be carried

**Electromechanical parking brake**

## Safety and security

**Electronic stability control (ESC)**

**6 air bags**

- Front airbags
- Front side airbags
- Curtain airbags

**ISOFIX** – Child seat mounting – for front passenger (with airbag deactivation) and outer rear seats. Including Top Tether attachment point for the outer rear seats

**Anti-theft alarm**



Image shows A6 Saloon SE model with optional Havana black, metallic paint (4J).

# S line model equipment

## In addition to SE model equipment

**Basic RRP**  
£2,041.67

**Total RRP inc VAT**  
£2,450.00

### Wheels, tyres and suspension

18" x 8J '5-twin-spoke' design alloy wheels with 245/45 R18 tyres

Sports suspension – lowered by 20mm

### Lighting

**All-LED headlights with high beam assist** – LED technology provides lower energy consumption and enhanced contrast with a colour similar to daylight, for increased safety and good recognition by other road users. Includes all-weather light function to reduce the risk of the driver being dazzled when visibility is poor (in fog, rain or snow). Includes headlight washers and high-beam assist which automatically adjusts headlights from high-beam to dipped-beam when another vehicle is approaching or when other ambient lighting is detected (i.e. street lights) by a camera on the interior mirror. Also includes Dynamic rear indicators, the rear indicators which dynamically sweep from inside to out within 0.15 seconds. This helps to clearly identify not only that the vehicle is turning but in which direction – increasing road safety as it is easier for other road users to determine which way cars are moving in a shorter amount of time

### Exterior equipment

S line front and rear bumpers, side ventilation grilles and side skirts

Diffuser insert in platinum grey

S line badges on the front wings

### Interior equipment

S line 3-spoke leather multi-function Sports steering wheel – with S line badge (includes paddles for automatic models)

Inlays in matt-brushed aluminium

Headlining in black cloth

Door sill trims with S line logo

Gear lever knob in black perforated leather

### Seats

Front Sports seats – including electric 4-way lumbar support and manual adjustment for seat height, length, depth, backrest, head restraint and belt height

Seats upholstered in Valcona leather – with embossed S line logo in the front seat backrests







Image shows A6 Saloon S line model with optional Misano red, pearl effect paint (N9).

# Black Edition model equipment

In addition to S line model equipment

**Basic RRP**  
£1,812.50

**Total RRP inc VAT**  
£2,175.00

## Wheels, tyres and suspension

20" x 8.5J '5-arm Rotor' design titanium-look alloy wheels with 255/35 R20 tyres

## Audio and communication

BOSE® surround sound

## Exterior equipment

**Black styling package** – includes radiator grille frame and radiator grille struts in high-gloss black, radar sensor surrounds (if fitted) in the side ventilation grille in high-gloss black, radiator grille in matt black, front side grilles in matt black, number plate holder in matt black, window capping strips and side profile roof trim strip in high-gloss black. Avant models include roof rails in matt black

**Privacy glass** – dark-tinted rear and rear-side windows (from B-pillar backwards)

## Interior equipment

Inlays in Piano finish, black





Image shows A6 Avant Black Edition model with optional Daytona grey, pearl effect paint (6Y).

# S6 model equipment

## In addition to SE model equipment

### Engine and transmission

**Audi cylinder-on-demand technology**

**Active noise cancellation system** – effectively compensates for noise interference inside the car, depending on the interior noise level and engine speed. Four microphones installed in the roof lining register background engine noise and, if necessary, a precisely calculated antiphase sound is emitted through the car's internal sound system

**75 litre fuel tank**

### Wheels, tyres and suspension

**19" x 8.5J '5-parallel spoke' S design alloy wheels** with 255/40 R19 tyres

**'S' Sports adaptive air suspension** – electronically controlled air suspension with continuously adaptive damping system on all 4 wheels to automatically regulate vehicle ride height by up to 20mm depending upon mode. Choice of 4 modes – Auto, Comfort, Dynamic and Lift, selected via the MMI system

**quattro with Sports differential** – the electronically regulated Sports differential distributes variable amounts of driving force to each rear wheel ensuring outstanding acceleration performance when cornering. It also ensures better direct steering characteristics and more agile handling

### Lighting

**All-weather LED headlights** – LED technology provides lower energy consumption and enhanced contrast with a colour similar to daylight, for increased safety and good recognition by other road users. Includes all-weather light function to reduce the risk of the driver being dazzled when visibility is poor (in fog, rain or snow). Includes headlight washers and Dynamic rear indicators the rear indicators which dynamically sweep from inside to out within 0.15 seconds. This helps to clearly identify not only that the vehicle is turning but in which direction – increasing road safety as it is easier for other road users to determine which way cars are moving in a shorter amount of time

### Exterior equipment

**Exterior mirrors** – heated, electrically adjustable and with memory function

**Aluminium-effect door mirror housings**

**Dual-branch oval twin tailpipes** – in chrome finish

**Matt black painted brake calipers** – with S6 logo

**Front bumper air intakes** – with aluminium-effect accents

**Platinum grey 'S' single-frame radiator grille** – with dual struts in chrome and S6 logo

**Platinum grey rear bumper diffuser insert** – with aluminium-effect strip

**'S' body coloured side sill trims**

**Aluminium roof rails** (Avant only)



19" x 8.5J '5-parallel spoke' S design alloy wheels



'S' 3-spoke leather multi-function sports steering wheel

### Interior equipment

Inlays in **Carbon atlas** – including upper dashboard and gear selector lever surround

'S' 3-spoke leather multi-function sports steering wheel – with gear-shift paddles, contrast stitching and S6 emblem

**Storage package** – consisting of 2 drink holders in the rear centre armrest, luggage net and two 12V sockets in the rear

**Start/stop button with red surround**

'S' instrument dials

Aluminium door sill trims – with S6 logo

### Seats

Valcona leather upholstery

'S' Super Sports front seats with driver's side memory function (12-way adjustable) including:

- Stitched diamond design with embossed S6 badge
- Electrically adjustable seat height
- Electrically adjustable upper backrest angle
- Electrically adjustable seat cushion angle
- Electrically adjustable seat forwards and backwards position
- 4-way electric lumbar support

Heated front seats

### Assistance systems

'S' model enhanced braking system

Driver's Information System (DIS) with 7" colour display

### Safety and security

Tracking system preparation



'S' Super Sports front seats in Valcona leather



Dual-branch oval twin tailpipes – in chrome finish

## A6 Saloon SE

Engines	Power	Transmissions	CO <sub>2</sub> g/km	Basic RRP	Total RRP inc VAT	Recommended OTR
2.0 TDI ultra	190PS	6-speed manual	113**	£26,091.67	£31,310.00	£31,955.00
2.0 TDI ultra	190PS	7-speed S tronic	109**	£27,366.67	£32,840.00	£33,485.00
3.0 TDI	218PS	7-speed S tronic	122**	£31,208.33	£37,450.00	£38,095.00
3.0 TDI quattro	218PS	7-speed S tronic	133**	£32,566.67	£39,080.00	£39,855.00
3.0 TDI quattro	272PS	7-speed S tronic	133**	£33,866.67	£40,640.00	£41,415.00
3.0 BiTDI quattro	320PS	8-speed tiptronic	159**	£37,750.00	£45,300.00	£46,125.00

## A6 Saloon S line

Engines	Power	Transmissions	CO <sub>2</sub> g/km	Basic RRP	Total RRP inc VAT	Recommended OTR
2.0 TDI ultra	190PS	6-speed manual	114**	£28,133.33	£33,760.00	£34,405.00
2.0 TDI ultra	190PS	7-speed S tronic	110**	£29,408.33	£35,290.00	£35,935.00
3.0 TDI	218PS	7-speed S tronic	122**	£33,250.00	£39,900.00	£40,545.00
3.0 TDI quattro	218PS	7-speed S tronic	133**	£34,608.33	£41,530.00	£42,305.00
3.0 TDI quattro	272PS	7-speed S tronic	133**	£35,908.33	£43,090.00	£43,865.00
3.0 BiTDI quattro	320PS	8-speed tiptronic	159**	£39,791.67	£47,750.00	£48,575.00

**\*\*Please note:** CO<sub>2</sub> emissions can change if a different size alloy is ordered onto the vehicle. This may also lead to a change to the VED amount payable. Please refer to pages 75 & 77 for more details.

**Please note:** The maximum power output figures are quoted in PS (or Pferdestärke, which is the metric equivalent of brake horsepower). To convert to brake horsepower, divide the PS figure by 1.0139.

**Recommended On-The-Road (OTR) retail prices include:** delivery charge, half a tank of fuel, number plates at £590.00 (inc. VAT), Road Fund Licence (which may vary depending on model/transmission – see page B4 for details) and first registration fee at £55.00. Vehicle Excise Duty correct at time of going to print, but this may alter to reflect any change in the applicable VED rate.

RRP – Recommended Retail Price.

VAT is calculated at 20% but this may alter to reflect any change in the applicable VAT rate.

## A6 Avant SE

Engines	Power	Transmissions	CO <sub>2</sub> g/km	Basic RRP	Total RRP inc VAT	Recommended OTR
2.0 TDI ultra	190PS	6-speed manual	118**	£27,758.33	£33,310.00	£33,955.00
2.0 TDI ultra	190PS	7-speed S tronic	114**	£29,033.33	£34,840.00	£35,485.00
3.0 TDI	218PS	7-speed S tronic	125**	£32,875.00	£39,450.00	£40,095.00
3.0 TDI quattro	218PS	7-speed S tronic	138**	£34,233.33	£41,080.00	£41,855.00
3.0 TDI quattro	272PS	7-speed S tronic	138**	£35,533.33	£42,640.00	£43,415.00
3.0 BiTDI quattro	320PS	8-speed tiptronic	164**	£39,416.67	£47,300.00	£48,125.00

## A6 Avant S line

Engines	Power	Transmissions	CO <sub>2</sub> g/km	Basic RRP	Total RRP inc VAT	Recommended OTR
2.0 TDI ultra	190PS	6-speed manual	119**	£29,800.00	£35,760.00	£36,405.00
2.0 TDI ultra	190PS	7-speed S tronic	115**	£31,075.00	£37,290.00	£37,935.00
3.0 TDI	218PS	7-speed S tronic	125**	£34,916.67	£41,900.00	£42,545.00
3.0 TDI quattro	218PS	7-speed S tronic	138**	£36,275.00	£43,530.00	£44,305.00
3.0 TDI quattro	272PS	7-speed S tronic	138**	£37,575.00	£45,090.00	£45,865.00
3.0 BiTDI quattro	320PS	8-speed tiptronic	164**	£41,458.33	£49,750.00	£50,575.00

## A6 Saloon Black Edition

Engines	Power	Transmissions	CO <sub>2</sub> g/km	Basic RRP	Total RRP inc VAT	Recommended OTR
2.0 TDI ultra	190PS	6-speed manual	119**	£29,945.83	£35,935.00	£36,580.00
2.0 TDI ultra	190PS	7-speed S tronic	116**	£31,220.83	£37,465.00	£38,110.00
3.0 TDI	218PS	7-speed S tronic	127**	£35,062.50	£42,075.00	£42,720.00
3.0 TDI quattro	218PS	7-speed S tronic	138**	£36,420.83	£43,705.00	£44,480.00
3.0 TDI quattro	272PS	7-speed S tronic	138**	£37,720.83	£45,265.00	£46,040.00
3.0 BiTDI quattro	320PS	8-speed tiptronic	164**	£41,604.17	£49,925.00	£50,750.00

## S6 Saloon

Engine	Power	Transmission	CO <sub>2</sub> g/km	Basic RRP	Total RRP inc VAT	Recommended OTR
4.0 TFSI quattro	450PS	7-speed S tronic	214**	£45,600.00	£54,720.00	£56,000.00

**\*\*Please note:** CO<sub>2</sub> emissions can change if a different size alloy is ordered onto the vehicle. This may also lead to a change to the VED amount payable. Please refer to pages 75 & 77 for more details.

**Please note:** The maximum power output figures are quoted in PS (or Pferdestärke, which is the metric equivalent of brake horsepower). To convert to brake horsepower, divide the PS figure by 1.0139.

**Recommended On-The-Road (OTR) retail prices include:** delivery charge, half a tank of fuel, number plates at £590.00 (inc. VAT), Road Fund Licence (which may vary depending on model/transmission – see page B4 for details) and first registration fee at £55.00. Vehicle Excise Duty correct at time of going to print, but this may alter to reflect any change in the applicable VED rate.

RRP – Recommended Retail Price.

VAT is calculated at 20% but this may alter to reflect any change in the applicable VAT rate.

## A6 Avant Black Edition

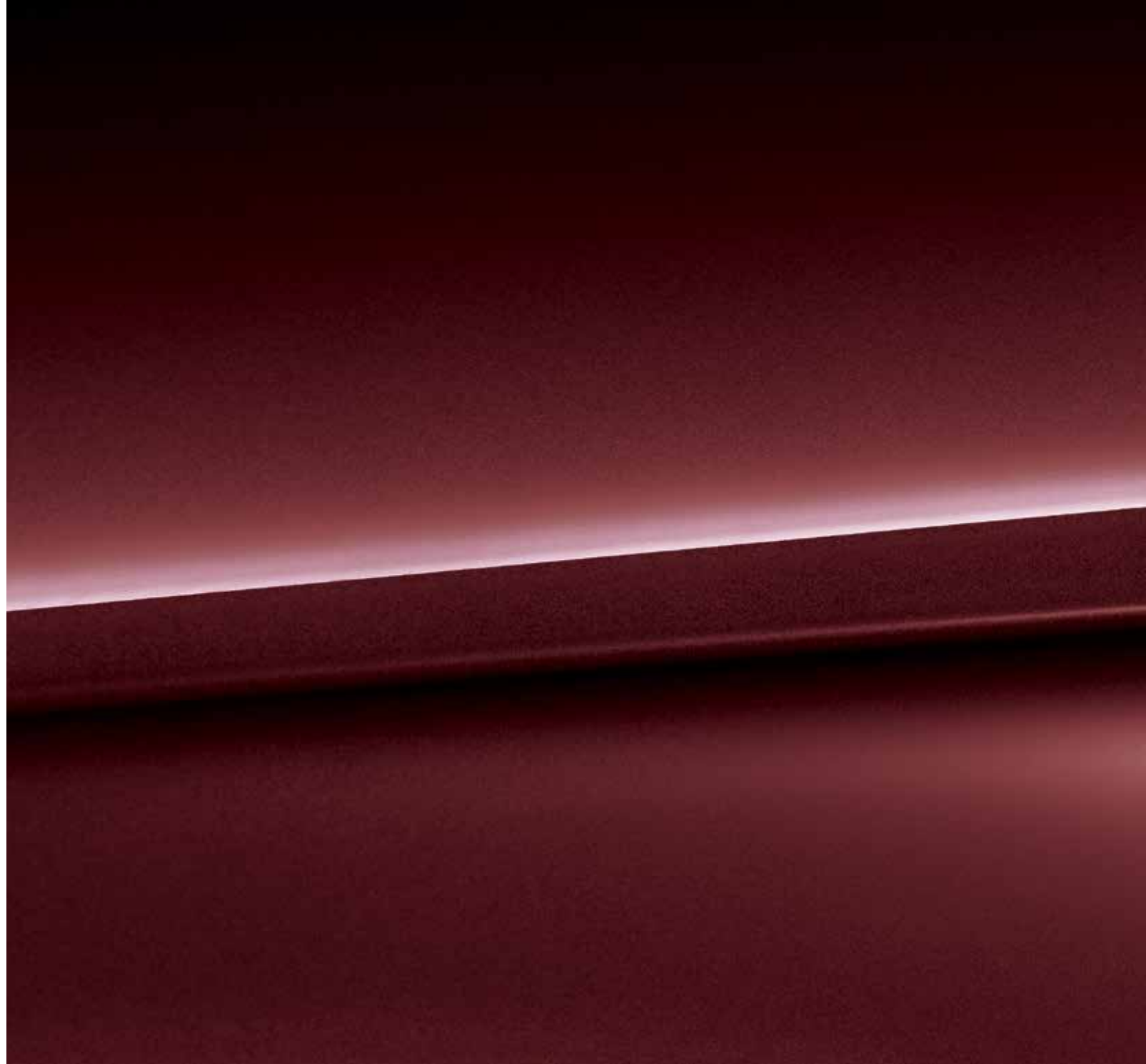
Engines	Power	Transmissions	CO <sub>2</sub> g/km	Basic RRP	Total RRP inc VAT	Recommended OTR
2.0 TDI ultra	190PS	6-speed manual	124**	£31,612.50	£37,935.00	£38,580.00
2.0 TDI ultra	190PS	7-speed S tronic	121**	£32,887.50	£39,465.00	£40,110.00
3.0 TDI	218PS	7-speed S tronic	130**	£36,729.17	£44,075.00	£44,720.00
3.0 TDI quattro	218PS	7-speed S tronic	144**	£38,087.50	£45,705.00	£46,495.00
3.0 TDI quattro	272PS	7-speed S tronic	144**	£39,387.50	£47,265.00	£48,055.00
3.0 BiTDI quattro	320PS	8-speed tiptronic	169**	£43,270.83	£51,925.00	£52,860.00

## S6 Avant

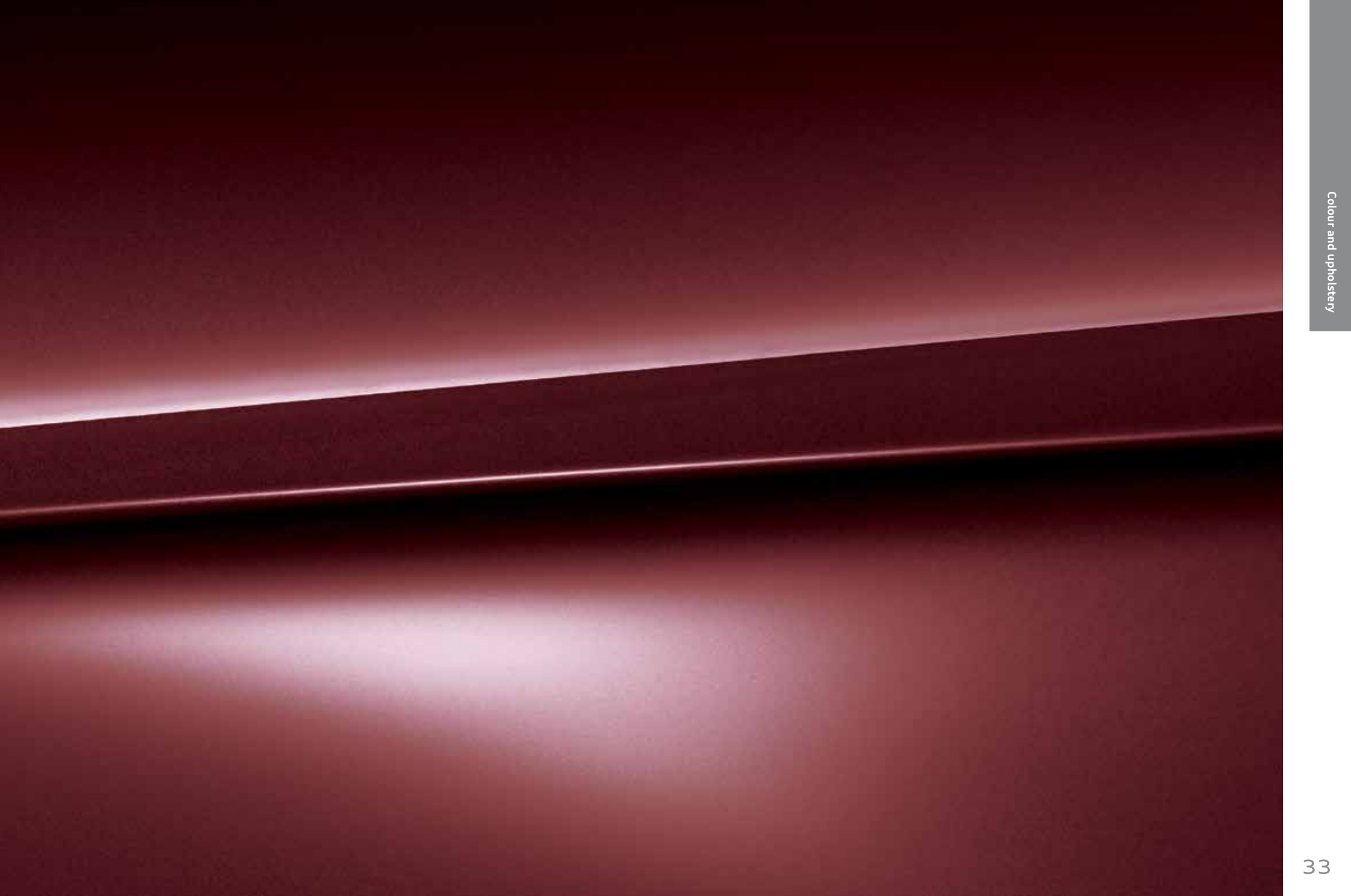
Engine	Power	Transmission	CO <sub>2</sub> g/km	Basic RRP	Total RRP inc VAT	Recommended OTR
4.0 TFSI quattro	450PS	7-speed S tronic	219**	£47,266.67	£56,720.00	£58,000.00

# Paint

We believe that every part of your car should have a personal touch. Which is why you can choose from a wide range of paint colours and finishes, from standard shades to metallic and pearl effects. We can even mix a customised colour for you to create the perfect fit.







# Paint

You can select one of the standard colours shown opposite or, for a different look, choose from a range of optional finishes.

Options are subject to availability and may extend delivery.

\*Not available on S6.

All the colour swatches on this page are matched as accurately as possible to the actual paint colours used. However, due to print processes, Audi UK cannot guarantee that colours shown are 100% accurate.

Visit your local Audi Centre for a more accurate colour swatch.

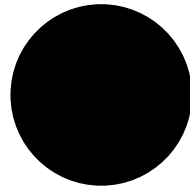
RRP – Recommended Retail Price.

VAT is calculated at 20% but this may alter to reflect any change in the applicable VAT rate.

## Standard colours

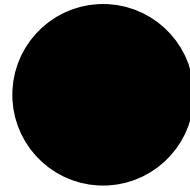


Ibis white – T9

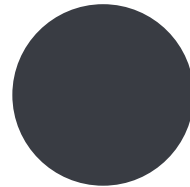


Brilliant black – A2

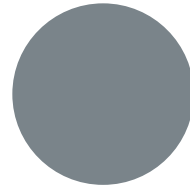
## Optional colours



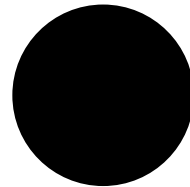
Havana black, metallic – 4J



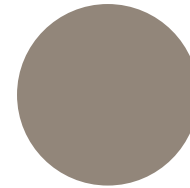
Oolong grey, metallic – 4N



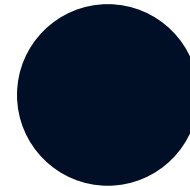
Tornado grey, metallic – Q2



Mythos black, metallic – 0E



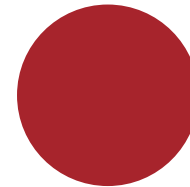
Diamond beige, metallic – N3\*



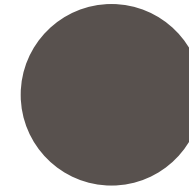
Moonlight blue, metallic – W1



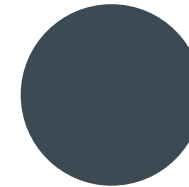
Glacier white, metallic – 2Y



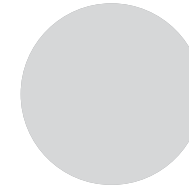
Garnet red, pearl effect – 9C\*



Dakota grey, metallic – Y7\*

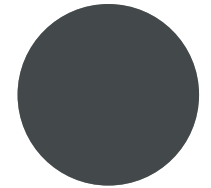


Aviator blue, metallic – U0\*



Floret silver, metallic – L5

## S line colours



Daytona grey, pearl effect – 6Y



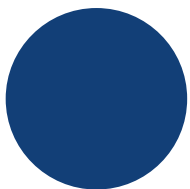
Misano red, pearl effect – N9

### Optional and S line colours

**Basic RRP**  
£545.83

**Total RRP inc VAT**  
£655.00

### S6 colour



Sepang blue, pearl effect – E9

### S6 colour

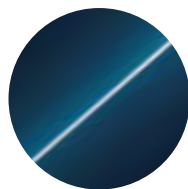
**Basic RRP**  
£545.83

**Total RRP inc VAT**  
£655.00

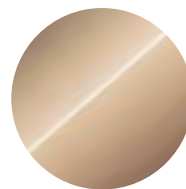
## Paint

### Audi exclusive

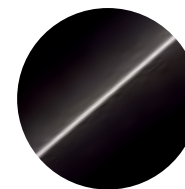
Everyone has a favourite colour. No matter what yours is, Audi exclusive provides a range of unique colours that have been designed to set your car apart. Choose from the swatches here, or specify any other paint colour in the Audi range.\*



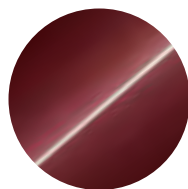
Palace blue, pearl effect



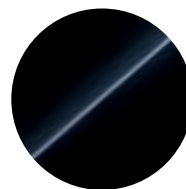
Sand beige, pearl effect



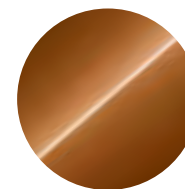
Saddle brown, pearl effect



Classic red, pearl effect



Mamba black, metallic



Ipanema brown, metallic



Any colour in the Audi range or 100 exclusive colours to choose from\*



Customised paint\*\*

### Customised

If you have a particular colour in mind, we'll mix the exact metallic or pearl-effect shade you want.\*\*

\*Audi exclusive paint is subject to factory approval. Visit your local Audi Centre for colour samples.

\*\*Customised paint is subject to factory approval, and is available for metallic and pearl-effect water-based paints only. Three-colour process colours and two-tone schemes are not available.

All the colour swatches on this page are matched as accurately as possible to the actual paint colours used. However, due to print processes, Audi UK cannot guarantee that colours shown are 100% accurate.

Visit your local Audi Centre for a more accurate colour swatch.

RRP – Recommended Retail Price.

VAT is calculated at 20% but this may alter to reflect any change in the applicable VAT rate.

### Audi exclusive\*

**Basic RRP**  
£1,795.83

**Total RRP inc VAT**  
£2,155.00

### Customised\*\*

**Basic RRP**  
£2,212.50

**Total RRP inc VAT**  
£2,655.00

## Upholstery

It's important to feel comfortable on the road. Just choose from our range of luxury upholstery materials and textures, including additional support and colour options, for complete relaxation while you drive.





# Upholstery

## Standard seats

Standard seats are manually adjustable for head restraint height or clearance, belt height, backrest angle, seat height and forwards and backwards seat position.

To further enhance your comfort you can also add electric lumbar support and seat heating.

Choose your favourite upholstery from the swatches shown opposite to give your car's interior the look and feel you want.

Options are subject to availability and may extend delivery.

- = Not available
- = Available
- S = Standard

\*Only in combination with Dashboard code (6RB).

RRP - Recommended Retail Price.

VAT is calculated at 20% but this may alter to reflect any change in the applicable VAT rate.

Milano leather  
- N5W



Black - FZ

Flint grey - IX

Atlas beige - IV/IY/IZ\*

Nougat brown - VB

SE	S line	Black Edition	S6	Basic RRP	Total RRP inc VAT
S	-	-	-	No charge	No charge

**Milano leather** – seat covers, head restraints and front centre armrest in Milano leather, which is fully penetrated with dye and lacquered for excellent surface protection. The leather is extremely hard-wearing and durable, tanned without using chromium and gives a high-quality impression with its fine, grained surface


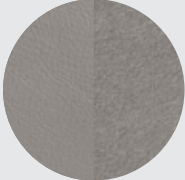






Standard seat

# Upholstery

## Front Sports seats – PS1

Front Sports seats include 4-way lumbar support.

		SE	S line	Black Edition	S6	Basic RRP	Total RRP inc VAT
Leather/Alcantara – N7U	 Black – FZ	•	–	–	–	£554.17	£665.00
	 Flint grey – IX						
Milano leather – N5W	 Black – FZ	•	–	–	–	£554.17	£665.00
Valcona leather – N5D	 Black – FZ	•	–	–	–	£970.83	£1,165.00
	 Flint grey – IX						
	 Nougat brown – VB						



Front Sports seat

Options are subject to availability and may extend delivery.

- = Not available
- = Available
- S = Standard

RRP – Recommended Retail Price.

VAT is calculated at 20% but this may alter to reflect any change in the applicable VAT rate.

# Upholstery

## Comfort seats – PS8

Comfort seats offer a multitude of electrical or pneumatic adjustment options with memory function for both front seats and must be combined with exterior mirrors (6XF/6XL).

Electrically adjustable:

- Backrest angle, seat height, forward and backward position and thigh support

Manually adjustable:

- Head restraint height/clearance and belt height

Pneumatically adjustable:

- Lumbar support, backrest side sections and seat-side sections

Choose your favourite upholstery from the swatches shown opposite to give your car's interior the look and feel you want.

Options are subject to availability and may extend delivery.

- = Not available
- = Available
- S = Standard

\*Not available on S6.


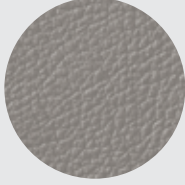

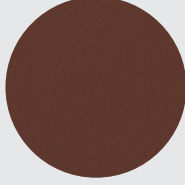
+Only available on S6.

\*\*Only in combination with Dashboard code (6RB).

RRP – Recommended Retail Price.

VAT is calculated at 20% but this may alter to reflect any change in the applicable VAT rate.

Valcona Leather  
– N5D

	SE	S line	Black Edition	S6	Basic RRP	Total RRP inc VAT
	•	-	-	-	£2,083.33	£2,500.00
	-	-	-	-	£250.00	£300.00
	-	-	-	-		
	-	-	-	-		

**Valcona leather** – seat covers, head restraints, door trims and front centre armrest in Valcona leather, a high-quality material which contributes to the elegance of the interior. A lacquered surface allows the material to breathe whilst the non-grained surface underlines the luxury of the A6. Valcona leather is tanned without using chromium, dyed and uses non-fading colour pigments



Comfort seat



# Upholstery

## S line Sports seats

Front S line Sports seats include electrically adjustable 4-way lumbar support.

All leather upholstery choices include seats, head restraints, door inserts and front centre armrest in leather. Leather/Alcantara choices include head restraints, seat-side bolsters and front centre armrest in leather with the seat centres and door inserts in Alcantara.

## S Super Sports seats - PS6




Includes pronounced seat side bolsters for improved lateral support when cornering, extendable thigh support, electric 4-way lumbar support and integrated headrests. Also includes Electrically adjustable seat height, forwards backwards position and backrest angle (PV3). Includes S line embossed logo in the seat backs of the front seats. Only available in combination with exterior mirrors with memory (6XF/6XL). Not available in combination with Entertainment pack (WTG).

Options are subject to availability and may extend delivery.

- = Not available
- = Available
- S = Standard

RRP - Recommended Retail Price.

VAT is calculated at 20% but this may alter to reflect any change in the applicable VAT rate.

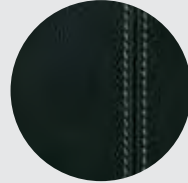
	SE	S line	Black Edition	S6	Basic RRP	Total RRP inc VAT
<p><b>Valcona leather - N1V</b></p>  <p>Black - QE      Lunar silver - QA</p>	-	S	S	-	No charge	No charge
<p><b>Pearl Nappa leather/Alcantara - N7K</b></p>  <p>Black - QF</p>	-	•	•	-	No charge	No charge
<p><b>Valcona leather - N1V</b></p>  <p>Black - QE      Lunar silver - QA</p>	-	•	•	-	£1,250.00	£1,500.00

# Upholstery

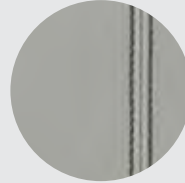
## S Super Sports seats with S6 embossed logo - Q4Q

Front S Super Sports seats are electrically adjustable with driver's side memory, and include electric 4-way lumbar support. Key features include extra lateral support, integrated head restraints and extendable thigh support.

Valcona leather  
S6-embossed  
- NOK



Black - **IM**

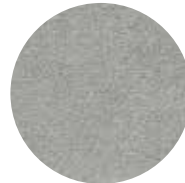


Lunar silver - **IL**

Leather/Alcantara  
S6-embossed  
- N7N



Black - **SX**



Lunar silver - **IN**



S Super Sports seat

Options are subject to availability and may extend delivery.

- = Not available
- = Available
- S = Standard

All leather upholstery choices include seats, head restraints, door inserts and front centre armrest in leather. Leather/Alcantara choices include head restraints, seat-side bolsters and front centre armrest in leather with the seat centres and door inserts in Alcantara.

RRP - Recommended Retail Price.

VAT is calculated at 20% but this may alter to reflect any change in the applicable VAT rate.

SE	S line	Black Edition	S6	Basic RRP	Total RRP inc VAT
-	-	-	S	No charge	No charge
-	-	-	•	No charge	No charge

# Upholstery

## Seat options

Order Code		SE	S line	Black Edition	S6	Basic RRP	Total RRP inc VAT
<b>7P1</b>	<b>4-way electric lumbar support.</b> For driver's and front-passenger seats, with horizontal and vertical adjustment	●	S	S	S	£245.83	£295.00
<b>4A3</b>	<b>Heated front seats.</b> For driver's and front-passenger seats; heats the seat cushions, backrest surfaces and seat-side bolsters and can be individually adjusted in 3 stages for each seat via a direct selection button on the air-conditioning controls. Only available in combination with 4-way electric lumbar support (7P1)	●	●	●	S	£250.00	£300.00
<b>4A4</b>	<b>Heated front and outer rear seats.</b> Work in the same way as front seat heating, enabling you to regulate the rear seats separately. Only available in combination with 4-way electric lumbar support (7P1)	●	●	●	—	£366.67	£440.00
		—	—	—	●	£116.67	£140.00
<b>PV3</b>	<b>Electrically adjustable front seats with memory function for driver's side.</b> Electrical adjustment for seat forwards and backwards position, seat height, angle and backrest angle adjustment, 4-way lumbar support, driver's seat with memory function. Only available in combination with Exterior mirrors with memory function (6XL/6XF). Not available in combination with Comfort seats (PS8)	●	●	●	S	£791.67	£950.00
	In combination with S Super Sports seats (PS6)	—	●	●	—	No charge	No charge
<b>4D3</b>	<b>Seat ventilation for front seats.</b> 3 different intensities of cool air blown through the seats using a fan for active ventilation of the seat-centre section and thigh support. To allow for the seat ventilation, the leather of the seat front is perforated. On SE trim only available in combination with seat heating (4A3/4A4). With SE standard seats must also be combined with Electrically adjustable front seats (PV3/PS8). Not available in combination with Front sports seats (PS1). On S6 only available in combination with Comfort seats (PS8)	●	—	—	●	£700.00	£840.00
<b>4D8</b>	<b>Massage and seat ventilation for front seats.</b> Massage function with 5 different programmes (wave, pulse, stretch, lumbar, shoulders) and 5 levels of intensity for massaging the muscles using 10 pneumatic cushions. 3 different intensities of cool air are drawn through the seat for active ventilation of the seat centre section and thigh support. To allow for the seat ventilation, the leather of the seat front is perforated. Only in combination with Comfort seats (PS8) and on SE trim seat heating (4A3/4A4) is also required	●	—	—	●	£1,333,33	£1,600.00

Options are subject to availability and may extend delivery.

— = Not available  
● = Available  
S = Standard

RRP – Recommended Retail Price.

VAT is calculated at 20% but this may alter to reflect any change in the applicable VAT rate.

# Colour and trim guide

## Interior trim colours

### Standard seats

To help you choose the right interior for your new AG, please use this guide, showing the carpet, dashboard and headlining colours that have been matched to your chosen upholstery.

Order Code	Upholstery (seat centre/seat bolster)	Carpet	Dashboard (upper/lower)	Headlining	Milano leather (N5W)
FZ	Black/Black	Black	Black	Lunar silver	●
IV	Atlas beige/Atlas beige	Black	Black	Atlas beige	●
VB	Nougat brown/Nougat brown	Black	Black	Lunar silver	●
IX	Flint grey/Flint grey	Granite grey	Granite grey/Flint grey	Lunar silver	●
IY	Atlas beige/Atlas beige	Moor brown	Moor brown/Atlas beige	Atlas beige	●
IZ*	Atlas beige/Atlas beige	Atlas beige	Moor brown/Atlas beige	Atlas beige	●

### Front Sports seats

Order Code	Upholstery (seat centre/seat bolster)	Carpet	Dashboard (upper/lower)	Headlining	Leather/Alcantara (N7U)	Milano leather (N5W)	Valcona leather (N5D)
FZ	Black/Black	Black	Black	Lunar silver	●	●	●
VB	Nougat brown/Nougat brown	Black	Black	Lunar silver	—	—	●
IX	Flint grey/Flint grey	Granite grey	Granite grey/Flint grey	Lunar silver	●	—	●

### Comfort seats

Order Code	Upholstery (seat centre/seat bolster)	Carpet	Dashboard (upper/lower)	Headlining	Valcona leather (N5D)
FZ	Black/Black	Black	Black	Lunar silver	●
IV	Atlas beige/Atlas beige	Black	Black	Atlas beige	●
VB	Nougat brown/Nougat brown	Black	Black	Lunar silver	●
IX	Flint grey/Flint grey	Granite grey	Granite grey/Flint grey	Lunar silver	●
IY	Atlas beige/Atlas beige	Moor brown	Moor brown/Atlas beige	Atlas beige	●
IZ*	Atlas beige/Atlas beige	Atlas beige	Moor brown/Atlas beige	Atlas beige	●
SX**	Black/Black	Black	Black/Black	Lunar silver	●

Options are subject to availability and may extend delivery.

— = Not available  
● = Available

\*Only in combination with Dashboard code (6RB).

\*\*S6 only.

VAT is calculated at 20% but this may alter to reflect any change in the applicable VAT rate.

# Colour and trim guide

## Interior trim colours

### S line Sports seats

Order Code	Upholstery (seat centre/ seat bolster)	Carpet	Dashboard (upper/lower)	Headlining	Pearl Nappa leather/Alcantara (N7K)	Valcona leather (N1V)
<b>QE (Black stitching)</b>	Black/Black	Black	Black	Black	—	●
<b>QF (Silver stitching)*</b>	Black/Black	Black	Black	Black	●	—
<b>QA (Dark silver stitching)</b>	Lunar silver/Lunar silver	Black	Black/Black	Black	—	●

### S Super Sports seats - PS6

Order Code	Upholstery (seat centre/ seat bolster)	Carpet	Dashboard (upper/lower)	Headlining	Valcona leather (N1V)
<b>QE (Black stitching)</b>	Black/Black	Black	Black	Black	●
<b>QA (Dark silver stitching)</b>	Lunar silver/Lunar silver	Black	Black/Black	Black	●

### S Super Sports seats with S6 embossed logo

Order Code	Upholstery (seat centre/ seat bolster)	Carpet	Dashboard (upper/lower)	Headlining	Valcona leather (N0K)	Leather/Alcantara (N7N)
<b>IM (Dark silver stitching)</b>	Black/Black	Black	Black/Black	Lunar silver	●	—
<b>IL (Graphite grey stitching)</b>	Lunar silver/Lunar silver	Black	Black/Black	Lunar silver	●	—
<b>SX</b>	Black/Black	Black	Black/Black	Lunar silver	—	●
<b>IN</b>	Lunar silver/Lunar silver	Black	Black/Black	Lunar silver	—	●

Options are subject to availability and may extend delivery.

— = Not available  
● = Available

\*Contrast grey stitching on seats, steering wheel, gear-lever gaiter and floor mats.

RRP – Recommended Retail Price.

VAT is calculated at 20% but this may alter to reflect any change in the applicable VAT rate.

## Inlays

Attention to detail can make a big impact. From contemporary Piano black finish to a Walnut brown, our selection of inlays make the perfect finishing touch to your car's interior.

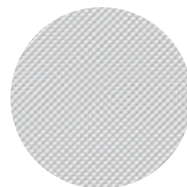




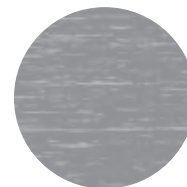
# Inlays

Inlays are the all-important finishing touch that add flair and interest to your car's interior.

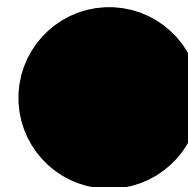
Order Code		SE	S line	Black Edition	S6	Basic RRP	Total RRP inc VAT
<b>7TH</b>	<b>Aluminium delta</b>	S	-	-	-	No charge	No charge
<b>5TG</b>	<b>Matt brushed aluminium</b>	-	S	-	-	No charge	No charge
<b>5TL</b>	<b>Piano finish, black.</b> Covers centre console, door trims and the continuous inlay seam, with aluminium-look edging	-	●	S	-	£583.33	£700.00
		-	-	-	●	£208.33	£250.00
<b>5MK</b>	<b>Carbon atlas.</b> Covers centre console, door trims and the continuous inlay seam, with aluminium-look edging	-	-	-	S	No charge	No charge
<b>5MG</b>	<b>Walnut, dark brown.</b> Covers centre console, door trims and the continuous inlay seam, with aluminium-look edging	●	-	-	-	£320.83	£385.00
<b>7TD</b>	<b>Beaufort walnut.</b> Covers centre console, door trims and the continuous inlay seam, with aluminium-look edging	●	-	-	-	£541.67	£650.00
		-	-	-	●	£62.50	£75.00
<b>7TL</b>	<b>Fine grain ash, natural brown.</b> Covers centre console, door trims and the continuous inlay seam, with aluminium-look edging	●	●	-	-	£320.83	£385.00
		-	-	-	●	No charge	No charge
<b>5TB</b>	<b>Aluminium, beaufort black.</b> Covers centre console, door trims and the continuous inlay seam, with aluminium-look edging	-	●	●	-	£1,291.67	£1,550.00
		-	-	-	●	£1,041.67	£1,250.00



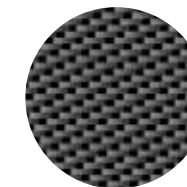
Aluminium delta – 7TH



Matt-brushed aluminium – 5TG



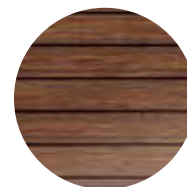
Piano finish, black – 5TL



Carbon atlas – 5MK



Walnut, dark brown – 5MG



Beaufort walnut – 7TD



Fine grain ash, natural brown – 7TL



Aluminium, beaufort black – 5TB

Options are subject to availability and may extend delivery.

- = Not available  
● = Available  
S = Standard

RRP – Recommended Retail Price.

VAT is calculated at 20% but this may alter to reflect any change in the applicable VAT rate.

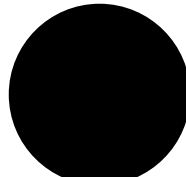


# Inlays

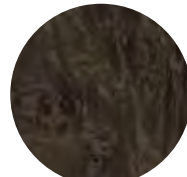
## Audi exclusive

Audi exclusive has sourced a wide range of materials which you can select for your inlays, from Oak sepia to Fine grain myrtle nutmeg.

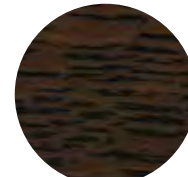
Order Code		SE	S line	Black Edition	S6	Basic RRP	Total RRP inc VAT
YTA S3G	Audi exclusive inlays – not available in combination with the inlays on page 48	–	–	–	•	£1,137.50	£1,365.00
		–	–	–	•	£1,083.33	£1,300.00



Piano finish, black\*



Fine grain ash, nougat



Oak, sepia



Fine grain myrtle, nutmeg



Modrone wood, gold



Vavona wood, bronze



Tamo ash, natural dark brown

Options are subject to availability and may extend delivery.

– = Not available  
• = Available  
S = Standard

\*Piano finish, black inlay available on S line and S6 at a lower price, as shown on page 48.

RRP – Recommended Retail Price.

VAT is calculated at 20% but this may alter to reflect any change in the applicable VAT rate.



## Options

Every driver has different needs, which is why we have created some useful options to further enhance your car. For extra comfort, support, style or function, you can choose from a variety of additional features, tailoring everything from your infotainment and audio equipment to your wheels and lighting.





## Wheels and tyres

Choose a set of specially-selected alloy wheels to subtly enhance the way your car looks and drives.



18/19" x 8/8.5J '5-twin-spoke' design alloy wheels – PQ1/PQ2



20" x 8.5J '5-arm Rotor' design titanium-look alloy wheels – PQU



19" x 8.5J '5-parallel spoke' 'S' design alloy wheels – CZ3



18" x 8J '5-V-spoke' design alloy wheels – PRM



18" x 8J '10-V-spoke' design alloy wheels – PRU



19" x 8.5J '10-Y-spoke' design alloy wheels – PQT



19" x 8.5J '10-spoke' design alloy wheels – PQ5



19" x 8.5J '10-spoke' design matt titanium look, gloss turned alloy wheels – PQ9



20" x 8.5J '5-twin-spoke' design alloy wheels – PQL



20" x 8.5J '5-arm star' design contrasting grey, partly polished alloy wheels – PRH



20" x 8.5J '5-twin spoke' design alloy wheels in matt titanium look, gloss turned finish – PQJ



20" x 8.5J '5-parallel spoke Star' 'S' design alloy wheels – PRG

Please note that the size of your chosen A6 wheel may affect the fuel consumption figures and the CO<sub>2</sub> emissions. This may result in a change in subsequent Vehicle Excise Duty payable. Please see pages 75, 77 and 78 for details.

Options are subject to availability and may extend delivery.

- = Not available
- = Available
- S = Standard

RRP – Recommended Retail Price.

VAT is calculated at 20% but this may alter to reflect any change in the applicable VAT rate.

# Wheels and tyres

Order Code	SE	S line	Black Edition	S6	Basic RRP	Total RRP inc VAT
<b>PRQ</b> 17" x 8J '10-spoke' design alloy wheels with 225/55 R17 tyres (please see page 22 for image)	S	-	-	-	No charge	No charge
<b>PQ1</b> 18" x 8J '5-twin-spoke' design alloy wheels with 245/45 R18 tyres	-	S	-	-	No charge	No charge
<b>PQU</b> 20" x 8.5J '5-arm Rotor' design titanium-look alloy wheels with 255/35 R20 tyres	-	-	S	-	No charge	No charge
<b>CZ3</b> 19" x 8.5J '5-parallel spoke' 'S' design alloy wheels with 255/40 R19 tyres	-	-	-	S	No charge	No charge
<b>PRM</b> 18" x 8J '5-V-spoke' design alloy wheels with 245/45 R18 tyres	●	-	-	-	£525.00	£630.00
<b>PRU</b> 18" x 8J '10-V-spoke' design alloy wheels with 245/45 R18 tyres	●	-	-	-	£2,083.33	£2,500.00
<b>PQT</b> 19" x 8.5J '10-Y-spoke' design alloy wheels with 255/40 R19 tyres	●	-	-	-	£1,500.00	£1,800.00
	-	●	-	●	£1,000.00	£1,200.00
<b>PQ5</b> 19" x 8.5J '10-spoke' design alloy wheels with 255/40 R19 tyres	●	-	-	-	£1,500.00	£1,800.00
	-	●	-	●	£875.00	£1,050.00
<b>PQ2</b> 19" x 8.5J '5-twin-spoke' design alloy wheels with 255/40 R19 tyres	-	●	-	-	£525.00	£630.00
<b>PQ9</b> 19" x 8.5J '10-spoke' design matt titanium look, gloss turned alloy wheels with 255/40 R19 tyres	-	-	●	-	No charge	No charge
	●	-	-	-	£2,000.00	£2,400.00
<b>PQL</b> 20" x 8.5J '5-twin-spoke' design alloy wheels with 255/35 R20 tyres	-	●	-	●	£1,291.67	£1,550.00
	-	-	●	-	No charge	No charge
<b>PRH</b> 20" x 8.5J '5-arm star' design contrasting grey, partly polished alloy wheels with 255/35 R20 tyres	●	-	-	-	£2,083.33	£2,500.00
	-	●	-	-	£1,250.00	£1,500.00
<b>PQJ</b> 20" x 8.5J '5-twin spoke' design alloy wheels in matt titanium look, gloss turned finish with 255/35 R20 tyres	-	●	-	-	£2,083.33	£2,500.00
	-	-	●	-	No charge	No charge
<b>PRG</b> 20" x 8.5J '5-parallel spoke Star' 'S' design alloy wheels with 255/35 R20 tyres	-	-	-	●	£1,166.67	£1,400.00

Please note that the size of your chosen A6 wheel may affect the fuel consumption figures and the CO<sub>2</sub> emissions. This may result in a change in subsequent Vehicle Excise Duty payable. Please see pages 75, 77 and 78 for details.

Options are subject to availability and may extend delivery.

- = Not available  
● = Available  
S = Standard

RRP - Recommended Retail Price.

VAT is calculated at 20% but this may alter to reflect any change in the applicable VAT rate.

# Suspension

Order Code		SE	S line	Black Edition	S6	Basic RRP	Total RRP inc VAT
<b>1BA</b>	<b>Dynamic Suspension</b>	S	●	—	—	No charge	No charge
<b>1BE</b>	<b>Sports suspension.</b> Lowered by 20mm with more firmly tuned springs and dampers for more direct contact with the road	●	S	S	—	£341.67	£410.00
<b>1BV</b>	<b>S line Sports suspension.</b> With more dynamic suspension tuning and vehicle lowered by a further 10mm (over standard Sports suspension)	—	●	●	—	No charge	No charge
<b>1BK</b>	<b>Adaptive air suspension.</b> Electronically controlled air suspension with infinitely variable adaptive damping system on all 4 wheels. Automatically regulates vehicle ride height and damping, including ride height control; different modes (Comfort, Dynamic, Auto and additional 'Lift' function for increased ground clearance) selected via Audi drive select	●	●	●	—	£1,666.67	£2,000.00
<b>GH2</b>	<b>quattro with Sports differential.</b> The electronically regulated Sports differential distributes variable amounts of driving force to each rear wheel, ensuring outstanding acceleration performance when cornering and stabilising the vehicle's response to load change. It also ensures better direct steering characteristics and, thanks to less steering effort, more agile handling. Only available on 3.0 TDI quattro models	●	●	●	S	£916.67	£1,100.00
<b>1N8</b>	<b>Dynamic steering.</b> With this technology, driving is significantly more agile under everyday conditions, while directional stability and precision are increased at high speeds and in demanding driving situations. Not available on a 2.0 TDI engine	●	●	●	●	£1,008.33	£1,210.00

Options are subject to availability and may extend delivery.

— = Not available  
 ● = Available  
 S = Standard

RRP – Recommended Retail Price.

VAT is calculated at 20% but this may alter to reflect any change in the applicable VAT rate.



# Packages

Some items work well together, which is why we've created these special packages. They provide increased convenience and value by combining several of our most popular options.

The drivers assistance systems featured on these pages work only within system limits. They assist the driver with driving tasks. However, the driver remains responsible for driving the vehicle and is required to be attentive.

For more information regarding the individual items within these Technology packs please refer to pages 16-19.

Order Code	SE	S line	Black Edition	S6	Basic RRP	Total RRP inc VAT
<p><b>Technology pack</b> Featuring the top-of-the-range navigation and connectivity systems</p> <p><b>MMI Navigation Plus with MMI Touch.</b> Includes HDD-based navigation with topographical map display, places of interest and town models in 3D. Destinations can be entered via the speech dialogue system or MMI touch. Also includes 8" display, DVD player and 2 SDXC memory card readers</p> <p><b>Driver's Information System (DIS) with 7" colour display.</b> High-resolution TFT colour 7" display in direct field of view of the driver. Shows information from driver assistance systems, media in use, telephone menu, gear, outside temperature and other display content of the MMI such as night vision assistant (if optionally selected)</p> <p><b>Audi Connect and Audi Phone Box.</b> Audi Connect provides access to a number of innovative online services including: navigation using Google Earth images™ and Google Street View™, destination entry via Google Maps™ or myAudi, online point of interest search and information services such as weather forecasts and the latest world news. Audi Connect can also create a WiFi hotspot in the car for convenient internet access using a mobile device (e.g. laptop or tablet). Audi Phone box enables drivers to use their mobile phone in the car by placing it in the storage compartment provided in the centre console to create a 'wireless' connection to the vehicle aerial. Operated via the MMI control panel or the multifunction steering wheel. Mobile phone can be charged via a USB port</p>	●	●	●	●	£1,354.17	£1,625.00
<p><b>Technology pack advanced.</b> Features all the content of the Technology pack and adds our latest driver assistance systems for the ultimate innovation</p> <p><b>Audi adaptive cruise control with Stop&amp;Go function including Pre-sense front.</b> Automatic distance regulation, using radar sensors to maintain the required distance between vehicles by braking and accelerating. Works at speeds between 0 and 150mph.* Also includes Audi braking guard – a system which triggers a visual and acoustic alarm when it detects the risk of a rear end collision with the vehicle in front. In addition, the airbags are preconditioned if a crash is sensed and the system is prepared to assist with necessary braking force once the brake pedal is touched</p> <p><b>Audi side assist including Pre-sense rear.</b> Aids the driver when changing lane. The system monitors the area behind the car, using radar sensors located discreetly in the rear bumper, informing the driver with a visual warning signal in the door mirror if there is a vehicle in their blind spot or approaching quickly from behind. In combination with Audi active lane assist there is a noticeable steering intervention before veering out of the lane if a lane change is judged to be hazardous due to an approaching vehicle. The steering intervention only occurs if both systems have been activated and ready (works at speeds above approximately 37mph)</p> <p><b>Audi lane assist.</b> Helps the driver to stay in lane with gentle steering impulses for greater safety and convenience</p> <p><b>Exterior mirrors (6XE). Heated, electrically adjustable and electrically folding,</b> with automatic kerb view function which tilts the passenger mirror downwards towards the kerb when reverse gear is engaged. S6 includes exterior mirrors with memory function (6XF). Not available in combination with manual transmission</p>	●	●	●	●	£2,916.67	£3,500.00

Options are subject to availability and may extend delivery.

- = Not available
- = Available
- S = Standard

\*Where the law permits.

RRP – Recommended Retail Price.

VAT is calculated at 20% but this may alter to reflect any change in the applicable VAT rate.



# Packages

Order Code		SE	S line	Black Edition	S6	Basic RRP	Total RRP inc VAT
<b>WC9</b>	<p><b>Parking Pack.</b> Offers state-of-the-art parking systems for easy parking</p> <ul style="list-style-type: none"> <li>- Park assist helps identify suitable parking spaces before enabling an effortless manoeuvre into them – you simply accelerate and brake while the vehicle automatically steers</li> <li>- Additionally, a rear camera provides imagery with guidelines to ensure easy reverse parking</li> </ul>	•	•	•	•	£675.00	£810.00
<b>WF5</b>	<p><b>Parking Pack Advanced.</b> Features all the content of the Parking pack and adds the innovative top view image for the ultimate luxury in parking systems</p> <ul style="list-style-type: none"> <li>- In addition to the benefits of the parking package, safety and assurance is further enhanced through the use of additional cameras in the front grille and the housing of the two exterior mirrors, which support entry and exit from tight spaces. The driver can also choose between different image representations in the MMI display, including a live "birds eye view" image for parking. Only in combination with Exterior mirrors with memory (6XF/6XL), Electrically adjustable front seats (PV3/PS8) and Technology Pack (WB4/WB7). On SE trim with Xenon headlights must also be combined with Headlight washers (8X1). On S6 only in combination with Technology Packs (WB4/WB7)</li> </ul>	•	•	•	•	£1,091.67	£1,310.00

Options are subject to availability and may extend delivery.

- = Not available
- = Available
- S = Standard

RRP – Recommended Retail Price.

VAT is calculated at 20% but this may alter to reflect any change in the applicable VAT rate.



Park Assist featured in Parking Pack and Parking Pack Advanced



Parking system with top view featured in Parking Pack Advanced

# Packages

Some items work well together, which is why we've created these special packages. They provide increased convenience and value by combining several of our most popular options.

Options are subject to availability and may extend delivery.

- = Not available  
 ● = Available  
 S = Standard

\*Screens must be ordered by your local Audi Centre via Audi Genuine Accessories.

RRP – Recommended Retail Price.

VAT is calculated at 20% but this may alter to reflect any change in the applicable VAT rate.

Order Code		SE	S line	Black Edition	S6	Basic RRP	Total RRP inc VAT
WFL	<b>Convenience Pack (Saloon):</b> An option pack featuring numerous useful items to make your A6 Saloon as practical and functional as possible	●	●	●	-	£750.00	£900.00
	- The luggage compartment comes with a reversible mat, tie-down straps, a luggage net and a through-load facility for long items – complete with a removable ski/snowboard bag	-	-	-	●	£658.33	£790.00
WFL	<b>Convenience Pack (Avant):</b> An option pack featuring numerous useful items to make your A6 Avant as practical and functional as possible	●	●	●	-	£700.00	£840.00
	- The luggage compartment comes with a reversible mat, tie-down straps and a load area fixing kit which includes a fixing set for the rail system with a telescopic pole and fastening strap for dividing up the luggage area. A through-load facility for long items is also provided which comes complete with a removable ski/snowboard bag	-	-	-	●	£608.33	£730.00
WTG	<b>Entertainment Package.</b> Offers the perfect systems to keep all your passengers happy, however long your journey	●	●	●	●	£1,683.33	£2,020.00
	- TV tuner for reception to free-to-air TV channels. Reception dependant on local network availability. Picture display only possible on MMI screen when your A6 is stationary, audio available at all times.						
	- Rear seat entertainment system includes two separate portable entertainment units, each with a 9" screen* mounted to the back of the front seats. Playback available from a variety of sources including Bluetooth, CD/DVD, SD Card, USB and AV. Carry case, remote control, table-top stand, 2.5 hour battery for external playtime, charging lead and headphones also included. Only available in combination with Technology Pack (WB4/WB7). Not available in combination with S Super Sports seats (PS6) and therefore on S6 only in combination with Comfort seat (PS8)						



Audi entertainment mobile featured in Entertainment pack



Load area fixing kit featured in Convenience pack (Avant)

# Headlights

Order Code		SE	S line	Black Edition	S6	Basic RRP	Total RRP inc VAT
8X1	<b>Headlight washer system</b>	●	S	S	S	£225.00	£270.00
8G1	<b>High-beam assist.</b> Variable headlight range control featuring a camera on the interior mirror which registers sources of light from other road users. The range and width of the headlight beam are continuously varied between dipped and main beam to suit ambient conditions, ensuring that the headlights provide good visibility without dazzling other road users. Not available in combination with Audi Matrix LED headlights (PXC)	●	S	S	●	£116.67	£140.00
PX2	<b>All-LED headlights including high-beam assist.</b> LEDs for all front lighting functions. LED technology provides lower energy consumption and enhanced contrast with a colour similar to daylight, for increased safety and good recognition by other road users. Includes all-weather light function to reduce the risk of the driver being dazzled when visibility is poor (in fog, rain or snow). Includes headlight washers and high-beam assist which automatically adjusts headlights from high-beam to dipped-beam when another vehicle is approaching or when other ambient lighting is detected (i.e. street lights) by a camera on the interior mirror. Also includes Dynamic rear indicators which dynamically sweep from inside to out within 0.15 seconds. This helps to clearly identify not only that the vehicle is turning but in which direction – increasing road safety as it is easier for other road users to determine which way cars are moving in a shorter amount of time. Not available in combination with Audi Matrix LED headlights (PXC)	●	S	S	–	£1,125.00	£1,350.00
PXC	<b>Audi Matrix LED headlights.</b> A direct evolution of Audi's LED headlights, Audi Matrix technology provides maximum and precise illumination at all times without dazzling other road users. The vehicle uses information obtained from multiple sources including the interior mirror camera and navigation system to identify the appropriate lighting required; using GPS data, the vehicle will use high beam, but will automatically switch to dipped lighting when entering built up areas; whilst high beam is in use, and oncoming traffic is detected, the Matrix beam dips or fully extinguishes individual lighting diodes. Matrix beam is capable of establishing and tracking multiple road users and illuminating the appropriate corridors of lights either side of them to maintain maximum visibility of the road and surrounding environment without causing disruption to other drivers. Matrix beam technology includes dynamic front and rear indicators which sweep from inside to out within 0.15 seconds. This helps to clearly identify not only that the vehicle is turning, but in which direction – increasing road safety as it is easier for other road users to determine which way cars are moving in a shorter amount of time. Also includes headlight washers	●	–	–	–	£2,083.33	£2,500.00
		–	●	●	●	£787.50	£945.00

Options are subject to availability and may extend delivery.

– = Not available  
● = Available  
S = Standard

RRP – Recommended Retail Price.

VAT is calculated at 20% but this may alter to reflect any change in the applicable VAT rate.



High-beam assist



All LED headlights including high beam assist

# Interior equipment

Specify every detail of your car's interior with this range of exclusive options.

Order Code		SE	S line	Black Edition	S6	Basic RRP	Total RRP inc VAT
<b>6NQ</b>	<b>Cloth headlining in black.</b> Not available in combination with interior codes IX/IY/IZ	●	—	—	—	£208.33	£250.00
		—	S	S	●	No charge	No charge
<b>6NA</b>	<b>Black Alcantara headlining.</b> Headliner, upper pillar trim, parcel shelf (Saloon) and sunvisors in black Alcantara with black stitching. Not available in combination with interior codes IV/IY/QA	●	●	●	●	£1,900.00	£2,280.00
<b>2C7</b>	<b>Electrically adjustable steering column.</b> Adjustable for height and reach with auto easy entry and exit function. Only available in combination with electrically adjustable front seats (PV3/PS8)	●	●	●	●	£333.33	£400.00
<b>QQ1</b>	<p><b>Lighting package.</b> Includes lighting for</p> <p><b>Exterior:</b></p> <ul style="list-style-type: none"> <li>- Courtesy lighting on the underside of the door handles and LED door handle lighting for easy entry and exit in the dark</li> <li>- Automatic activation when the doors are unlocked</li> <li>- Active internal door reflectors</li> </ul> <p><b>Interior:</b></p> <ul style="list-style-type: none"> <li>- Entrance lighting</li> <li>- 2 reading lights at front and rear</li> <li>- Front footwell</li> <li>- Inside door handles</li> <li>- Make-up lights</li> <li>- Storage compartment in the centre console</li> <li>- Ambient lighting of the centre console</li> <li>- Ambient reflected light for inside door trims</li> </ul>	●	●	●	●	£208.33	£250.00
<b>QQ2</b>	<b>Ambient lighting.</b> In addition to interior and exterior lighting package (QQ1), anti-glare LED illumination for the passenger compartment. Lighting for door pockets, footwells and inside door handles, reflected lighting for centre console and door inner panels to help occupants find their way around. Surround lighting for centre console (floating effect), make-up lights at front and active door reflectors, with illuminated door sill trims (please note this will delete S line or S6 logo). Configured via MMI	●	●	●	●	£458.33	£550.00
<b>7HB</b>	<b>Extended leather package.</b> Lower part of the centre console, armrests in the doors and door pull handles in leather. Only available in combination with Milano leather (NSW) or leather/Alcantara (N7U)	●	—	—	—	£429.17	£515.00
<b>7HE</b>	<b>Leather covered door armrests.</b> Only available in combination with Valcona leather	●	●	●	●	£279.17	£335.00

Options are subject to availability and may extend delivery.

- = Not available
- = Available
- S = Standard

RRP – Recommended Retail Price.

VAT is calculated at 20% but this may alter to reflect any change in the applicable VAT rate.

# Exterior equipment

Make sure your car looks exactly as you want it to by selecting some of our striking options.

Options are subject to availability and may extend delivery.

- = Not available
- = Available
- S = Standard

\*Additional wiring is required for auxiliary equipment.

RRP – Recommended Retail Price.

VAT is calculated at 20% but this may alter to reflect any change in the applicable VAT rate.

Order Code		SE	S line	Black Edition	S6	Basic RRP	Total RRP inc VAT
<b>3FE</b>	<b>Slide-and-tilt sunroof.</b> Only available on Saloon models, with tinted single-glazed safety glass and infinitely adjustable sun shield, integral wind deflector and convenient closing from outside via the central locking and the radio-operated remote control	•	•	•	•	£825.00	£990.00
<b>3FU</b>	<b>Panoramic glass sunroof.</b> Only available on Avant models. Comprises two sections, where the front glass section can be tilted or slid open and closed again electrically. Includes electrically operated sun blind for the front and rear passengers. Can also be closed from the outside via the central locking	•	•	•	•	£1,041.66	£1,250.00
<b>VW4</b>	<b>Privacy glass.</b> Dark-tinted rear and rear-side windows (from B-pillar backwards)	•	•	S	•	£325.00	£390.00
<b>1D4</b>	<b>Tow bar.</b> Ball head and ball joint coupling made from forged steel. Mechanically swivelling ball head, operated via Bowden cable, with indicator light on Bowden cable and display in instrument cluster to monitor secure attachment of trailer towing hitch; includes trailer stabilisation system via the Electronic Stability Control (ESC). Includes single European 13-pin electrics socket and may require a 13- to 7-pin adaptor. Please consult your Audi Centre for details*	•	•	•	•	£687.50	£825.00
<b>4ZD</b>	<b>Black styling package.</b> Includes radiator grille frame and radar sensor surrounds (if fitted) in the side ventilation grille in high-gloss black, radiator grille in matt black, front side grilles in matt black, number plate holder in matt black, window capping strips and side profile roof trim strip in high-gloss black. Avant models include roof rails in matt black (3S2)	•	•	S	–	£520.83	£625.00



Panoramic glass sunroof



Privacy glass

# Exterior equipment

Order Code		SE	S line	Black Edition	S6	Basic RRP	Total RRP inc VAT
6XE	Exterior mirrors – heated and electrically adjustable and folding, with automatic kerb view function which tilts the passenger mirror downwards towards the kerb when reverse gear is engaged	●	●	●	–	£195.83	£235.00
	In combination with Technology Pack Advanced (WB7)	●	●	●	–	No charge	No charge
6XF	Exterior mirrors – heated, electrically adjustable and electrically folding, with automatic kerb view function which tilts the passenger mirror downwards towards the kerb when reverse gear is engaged. Includes memory function. Only available in combination with electrically adjustable front seats (PV3/PS8)	●	●	●	●	£195.83	£235.00
	In combination with Technology Pack Advanced (WB7)	●	●	●	●	No charge	No charge
6XL	Exterior mirrors – heated, electrically adjustable, electrically folding and auto-dimming, with automatic kerb view function which tilts the passenger mirror downwards towards the kerb when reverse gear is engaged. Includes memory function. Only available in combination with electrically adjustable front seats (PV3/PS8)	●	●	●	●	£429.17	£515.00
	In combination with Technology Pack Advanced (WB7)	●	●	●	●	£233.33	£280.00
GZ2	Power door closure. Automatically pulls doors closed that are not completely engaged into the lock	●	●	●	●	£516.67	£620.00
4E7	Power-operated bootlid for Saloon models. Opens by pressing the button on the radio-operated remote control key, the button in the driver's door panel or the soft-touch button in the bootlid handle recess; closed by a button on the inside of the bootlid, button in the driver's door or with optional Advanced key (PGB) press and hold. Includes power-assisted closing	●	●	●	●	£358.33	£430.00
2Z0	Removal of model and technology designation	●	●	●	●	No charge	No charge
2Z7	Removal of technology designation	●	●	●	–	No charge	No charge

Options are subject to availability and may extend delivery.

- = Not available
- = Available
- S = Standard

RRP – Recommended Retail Price.

VAT is calculated at 20% but this may alter to reflect any change in the applicable VAT rate.

# Audio and communication

Give each journey its own soundtrack with our advanced audio equipment.

Options are subject to availability and may extend delivery.

- = Not available
- = Available
- S = Standard

RRP – Recommended Retail Price.

VAT is calculated at 20% but this may alter to reflect any change in the applicable VAT rate.

Order Code	SE	S line	Black Edition	S6	Basic RRP	Total RRP inc VAT
<b>8RY BOSE® surround sound</b> - 14 speakers including centre speaker in the dashboard and subwoofer in the spare wheel well - 12-channel amplifier with a total output of over 600 Watts - Acoustics specially tuned to the interior - Surround sound reproduction 5.1 (in combination with MMI Navigation Plus) and stereo recordings (CD, radio, MP3) - AudioPilot for noise-compensating volume adjustment - Powerful, precise bass reproduction	•	•	S	•	£833.33	£1,000.00
<b>8RF Bang &amp; Olufsen Advanced Sound System</b> - 15 speakers including subwoofer and centre speaker, each with their own amplifier channel for genuine 5.1 surround sound - 15-channel DSP full-digital amplifier with a total output of over 1,200 Watts, fully digitised and highly efficient - 5-channel ICE Power amplifier for woofers and subwoofer - When switched on, two acoustic lenses extend from the dashboard for excellent sound rendition and perspective from all seats - Polished aluminium speaker covers - Acoustics specially tuned to the interior through the targeted use of tweeters, mid-range speakers and woofers - Speakers in encapsulated housings isolate music and telephone conversations within the vehicle for privacy – when making phone calls in hands-free mode, for instance - Automatic adjustment of volume to the driving situation Only available in combination with Technology Packs (WB4/WB7). Please note that this option will reduce the boot space	•	•	•	•	£5,250.00	£6,300.00
<b>6G2 DVD/CD changer in glove compartment.</b> DVD/CD changer, for 6 DVDs or CDs, supports audio CDs, video DVDs, shock-resistant and easily accessible in the glove compartment. Only in combination with Technology packs (WB4/WB7)	•	•	•	•	£533.33	£640.00



BOSE surround sound



Bang & Olufsen Advanced Sound System

# Safety and security

Intelligent technology designed to give you better all-round awareness and safety on the road.

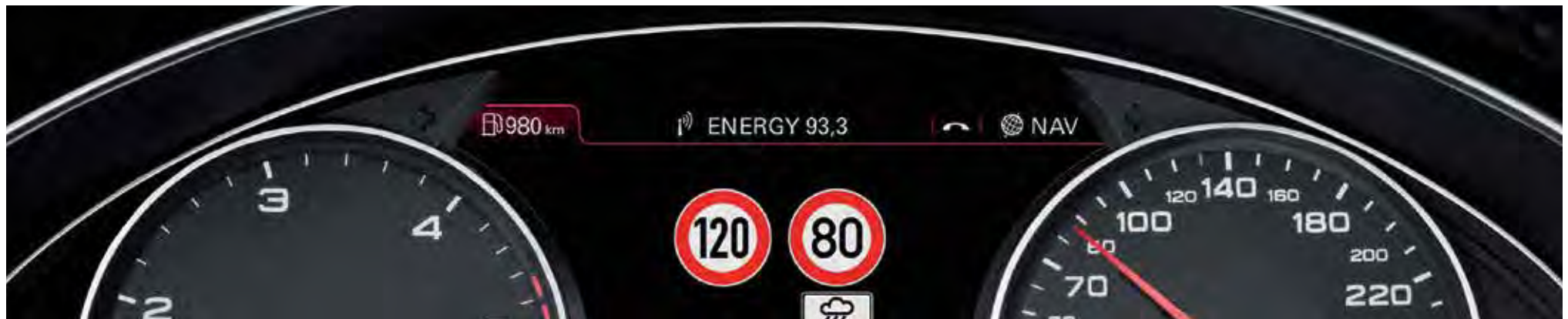
Options are subject to availability and may extend delivery.

- = Not available
- = Available
- S = Standard

RRP – Recommended Retail Price.

VAT is calculated at 20% but this may alter to reflect any change in the applicable VAT rate.

Order Code		SE	S line	Black Edition	S6	Basic RRP	Total RRP inc VAT
4X4	<b>Rear side airbags.</b> For the outer rear seats, incorporated into the seat backrests; supplements the side impact protection in the doors and the standard airbag systems	•	•	•	•	£312.50	£375.00
7G9	<b>Tracking preparation.</b> Fitting for the connection of a tracking assistant, which enables the vehicle to be located if stolen	•	•	•	S	£91.67	£110.00
QR9	<b>Speed limit display.</b> Speed limit display via the Driver's Information System (DIS). Should the camera fail to see a sign properly, the speed limit from the data for the navigation system will be shown instead The specific advantages: - Display of the speed limits currently registered, which can be called up in the Driver's Information System at any time - Display can be called up in every instrument cluster view and in the head-up display (optionally available) - Camera-based system is also capable of detecting temporary speed restrictions in roadwork's and on digital displays (e.g. over motorways) within the system limits - Display of national speed limits for Western European countries Only in combination with Technology Pack Advanced (WB7). Not available in combination with manual transmissions	•	•	•	•	£208.33	£250.00
7W1	<b>Pre-sense basic.</b> Audi Pre-sense is a comprehensive technical package for identifying dangers well in advance and intervening appropriately. Pre-sense basic networks the different vehicle systems, enabling driving situations to be categorised and, where necessary, actions to be taken to protect the driver and passengers. These include: belt tightening, activating the hazard warning system, closing the windows and the sunroof (if fitted)	•	•	•	•	£216.67	£260.00



Speed limit display



# Safety and security

Order Code	SE	S line	Black Edition	S6	Basic RRP	Total RRP inc VAT
<p><b>PGB</b></p> <p><b>Advanced key with electric hands-free boot opening system and power-operated bootlid for Saloon.</b> Access and authorisation system that works through automatic data exchange between key and vehicle, allowing the driver to keep their car key in their pocket or bag at all times. To unlock and open, simply lift the exterior door handle. The door is locked by pressing the button on the handle. Pressing the start/stop button integrated in the centre console starts and stops the engine. Also includes an electric hands-free bootlid release sensor located underneath the rear bumper, which can be operated by a simple kicking movement underneath the sensor. The power operated bootlid opens by using either the hands-free sensor with kicking movement or by pressing the button on the radio-operated remote control key, the button in the driver's door panel or the soft touch button in the bootlid handle recess. The bootlid is then electrically closed by a button on the inside of the bootlid, button in the driver's door or press and hold the radio-operated remote control key. Also includes decorative aluminium strips in the door handles (these are deleted if in combination with Black styling pack (4ZD))</p>	●	●	●	●	£983.33	£1,180.00
<p><b>PGB</b></p> <p><b>Advanced key with electric hands-free boot opening system and power-operated bootlid for Avant models.</b> Access and authorisation system that works through automatic data exchange between key and vehicle, allowing the driver to keep their car key in their pocket or bag at all times. To unlock and open, simply lift the exterior door handle. The door is locked by pressing the button on the handle. Pressing the start/stop button integrated in the centre console starts and stops the engine. Also includes an electric hands-free tailgate release sensor located underneath the rear bumper, which can be operated by a simple kicking movement underneath the sensor. The power operated tailgate opens by using either the hands-free sensor with kicking movement or by pressing the button on the radio-operated remote control key, the button in the driver's door panel or the soft touch button in the bootlid handle recess. The tailgate is then electrically closed by a button on the inside of the bootlid, button in the driver's door or press and hold the radio-operated remote control key. Avant models come with power-operated tailgate as standard. Also includes decorative aluminium strips in the door handles (these are deleted if in combination with Black styling pack (4ZD))</p>	●	●	●	●	£625.00	£750.00

Options are subject to availability and may extend delivery.

- = Not available
- = Available
- S = Standard

RRP – Recommended Retail Price.

VAT is calculated at 20% but this may alter to reflect any change in the applicable VAT rate.

# Safety and security

Intelligent technology designed to give you better all-round awareness and safety on the road.

Options are subject to availability and may extend delivery.

- = Not available
- = Available
- S = Standard

RRP – Recommended Retail Price.

VAT is calculated at 20% but this may alter to reflect any change in the applicable VAT rate.

Order Code	SE	S line	Black Edition	S6	Basic RRP	Total RRP inc VAT
<b>9R1</b> <b>Night vision assistant.</b> Assists the driver when driving at night by displaying a thermal image of the surroundings. People and large wild animals are highlighted in yellow in the colour display of the Driver's Information System. If the system determines from their position that there is a potential risk, the marking changes to red, a warning triangle appears and a warning tone is emitted. Warning can also be shown in the Head-up display (KS1) if ordered. In combination with Audi Matrix LED headlights (PXC), LED headlights (PX2) or High Beam Assist (8G1) the highlighted person is also illuminated with 3 successive brief flashes of the headlight. System operation maybe restricted in too much ambient light, high humidity and high night temperatures (Over 28°C). Only in combination with Technology packs (WB4/WB7) and on SE with Xenon headlights the option headlight washers (8X1) is also required	•	•	•	•	£1,458.33	£1,750.00
<b>KS1</b> <b>Head-up display.</b> An optical system of mirrors projects driving-related information directly into the driver's field of vision. To prevent ghost images, a special windscreen with a wedge-shaped film is fitted. This film measures approximately 26 x 9cm in size, and the driver perceives the display to be 2 to 2.5m beyond the windscreen. The display has many benefits: <ul style="list-style-type: none"> <li>- Helps to increase safety, convenience and driving pleasure</li> <li>- Straightforward operation via MMI</li> <li>- Display is height-adjustable, adjusts to ambient brightness</li> <li>- High resolution of up to 480 x 240 pixels</li> </ul> The following are displayed, however some are dependent on additional options being chosen: <ul style="list-style-type: none"> <li>- Road speed</li> <li>- Navigation instructions</li> <li>- Adaptive cruise control status, distance from vehicle ahead and set speed (optional)</li> <li>- Warning messages from optional night vision assistant (optional)</li> <li>- Infotainment lists</li> <li>- Audi active lane assist (optional)</li> <li>- Speed limit display (optional)</li> </ul>	•	•	•	•	£1,033.33	£1,240.00



Night vision assistant



Head-up display



# Steering wheels

Order Code		SE	S line	Black Edition	S6	Basic RRP	Total RRP inc VAT
1XW	3-spoke leather-trimmed multi-function Sports steering wheel (manual models only)	●	S	S	—	£95.83	£115.00
1XX	3-spoke leather-trimmed multi-function Sports steering wheel with gear-shift paddles (automatic models only)	●	S	S	S	£95.83	£115.00
1XT	3-spoke leather-trimmed multi-function Sports steering wheel – heated, with gear-shift paddles (automatic models only)	●	—	—	—	£262.50	£315.00
		—	●	●	●	£166.67	£200.00

Options are subject to availability and may extend delivery.

- = Not available
- = Available
- S = Standard

RRP – Recommended Retail Price.

VAT is calculated at 20% but this may alter to reflect any change in the applicable VAT rate.



3-spoke leather trimmed multi-function steering wheel with gear-shift paddles



Standard 4-spoke leather trimmed multi-function steering wheel - for manual transmissions

## Looking after your Audi

When you've chosen your ideal model, it's reassuring to know that it will remain in safe hands. That's why we've created products to protect your Audi, from extended warranties to Audi Complete – our comprehensive service and maintenance package. And there's also a range of Audi accessories and merchandise to choose from, enabling you to further enhance and safeguard your car.





# Audi Complete

Audi Complete is simply a way to look after the servicing and maintenance costs for your Audi in a single package. You pay a one-off or monthly fee and we'll cover all your servicing, maintenance and tyres for the next three years including your MOT. It means you only have to pay for fuel, insurance and your Road Fund Licence. So you can be reassured that your car will be maintained by trained Audi Technicians, using genuine Audi parts. You can also opt for our Service only or Service and Maintenance packages if you prefer.

\*Retail customers only. Pricing correct at time of print and based on a 3 years/30,000 miles agreement. All pricing is a 'starting from' price for the Audi A6 Saloon model range and is therefore subject to change and mileage/model dependent. If you drive under 10,000 miles per annum your vehicle will be placed on a fixed inspection service schedule. If your mileage tends to exceed 10,000 miles per annum it will be placed on the Flexible Service schedule.

## Warranty

Options are subject to availability and may extend delivery.

- = Not available  
• = Available  
S = Standard

\*\*Only available prior to registration of your A6. Please speak to your Audi Centre for full details.

RRP – Recommended Retail Price.

VAT is calculated at 20% but this may alter to reflect any change in the applicable VAT rate.

Order Code		A6	S6	Basic RRP	Total RRP inc VAT
-	<b>Audi Complete – Service Only.</b> Comprehensive care for your Audi covering all your servicing for 3 years. Visit your local Audi Centre for further information or <a href="http://audi.co.uk/audicomplete">audi.co.uk/audicomplete</a> for full details including terms and conditions	•	-	£14.17	£17.00*
		-	•	£26.67	£32.00*
-	<b>Audi Complete – Service and Maintenance.</b> Comprehensive care for your Audi covering all your servicing and maintenance for 3 years, as well as your MOT. Visit your local Audi Centre for further information or <a href="http://audi.co.uk/audicomplete">audi.co.uk/audicomplete</a> for full details including terms and conditions	•	-	£19.17	£23.00*
		-	•	£38.33	£46.00*
-	<b>Audi Complete – Service, Maintenance and Tyres.</b> Comprehensive care for your Audi covering all your servicing, maintenance and tyres for 3 years, as well as your MOT. Visit your local Audi Centre for further information or <a href="http://audi.co.uk/audicomplete">audi.co.uk/audicomplete</a> for full details including terms and conditions	•	-	£29.17	£35.00*
		-	•	£53.33	£64.00*

Order Code		A6	S6	Basic RRP	Total RRP inc VAT
-	<b>Audi Warranty.</b> Covering you for unlimited mileage in the first 2 years of ownership, and up to 60,000 miles in the third year. Transferable between owners**	•	•	No charge	No charge
EA6	<b>Audi Warranty.</b> Covering you for up to 4 years or 75,000 miles, whichever comes soonest. Cover includes a 2-year unlimited mileage warranty, and up to 75,000 miles in the third and fourth years. Transferable between owners**	•	•	£466.67	£560.00
EA9	<b>Audi Warranty.</b> Covering you for up to 5 years or 90,000 miles, whichever comes soonest. Cover includes a 2-year unlimited mileage warranty, and up to 90,000 miles in the third, fourth and fifth years. Transferable between owners**	•	•	£1,112.50	£1,335.00

## Accessories

Choosing an Audi isn't just a matter of deciding on the model you want; it's about creating a car that suits your needs perfectly. That's why we've developed a whole range of accessories to enhance your A6, enabling you to customise it down to the last detail. Like your Audi, all these accessories are developed to the highest possible standards. They're all available exclusively from Audi. To find out more, just visit your local Audi Centre.

### Warranty

All the accessories available on the A6 are covered by a three-year warranty\* if they are ordered and included in the purchase price of the car at date of delivery. Any accessories ordered and installed after delivery include a two-year warranty.\*

\*Excluding Road Angel products.

Audi Accessories warranty terms and conditions can be found at [audi.co.uk](http://audi.co.uk)



## Merchandise

From the enthusiasts' motorsport collection to the sophisticated Audi collection, there's a wide variety of adults' and children's clothing, lifestyle accessories and collectables, all of which bear the Audi name.

Please speak to a member of our team at your local Audi Centre to see the full Audi collection and to place an order. A selection of Audi merchandise is also available to buy from [audi.co.uk/merchandise](http://audi.co.uk/merchandise)





# The Audi Difference

## The experts in Vorsprung durch Technik

Our Audi Approved Master Technicians have undergone an impressive 100,000 hours of training over a 10-year programme to ensure they have the latest technical expertise for maintaining and servicing your Audi. All our Service Advisors undergo a specialist induction and training to ensure they are Audi professionals and able to talk to you about any issues you may have with your Audi vehicle.

## Servicing tailored to your needs

Regular servicing is key to safeguarding your Audi's performance and a full Audi service history could help you enhance the future re-sale value. To make servicing easy, the Audi Service Schedules have been designed to work with your individual driving style and vehicle.

We offer two different schedules: the fixed Inspection Service and the Flexible Service schedule. The conventional fixed Inspection Service schedule has fixed intervals for the Oil-change Service and Inspection Service, which are determined by time and distance.

With the Flexible Service schedule, the Inspection Service intervals are also fixed but the Oil-change Service intervals are variable. Sensors take account of driving style and conditions to determine when the Oil-change Service is required and the driver is informed via the on-board service interval display.

The choice of Service Schedule will depend on journey type and mileage as well as individual driving style and conditions. The table to the right can be used for guidance but your Audi Centre will help you to determine the most suitable Service schedule for you based on your individual circumstances and preferences.

## Fixed Inspection Service Schedule

	Vehicle usage:
Mileage	Less than 10,000 miles per annum Mainly city/town centre driving. Short journeys.
	Service Intervals:
Oil-change Service	Fixed to every 9,000+ miles/1 year
Inspection Service	Fixed to every 19,000+ miles/2 years

## Flexible Service Schedule

	Vehicle usage:
Mileage	More than 10,000 miles per annum Motorway and main road driving. Mainly longer distance journeys. Constant speeds.
	Service Intervals:
Oil-change Service	Variable to a maximum of every 19,000+ miles/2 years
Inspection Service	Fixed to every 19,000+ miles/2 years

When a vehicle is frequently used in the following conditions, we recommend a Fixed Inspection Service Schedule, regardless of mileage:

Uneconomical driving styles, e.g. heavy acceleration and braking, constant use of high revs

High engine-loading conditions, e.g. frequent towing and hill climbs

\*As indicated by the service interval display. Mileages are approximate as the Service Indicator system uses kilometres as its distance measurement.

## Your convenience comes first

At Audi you can choose from a range of convenient services that suit your needs. Why not book a 'service while you wait' appointment\* and enjoy our complimentary refreshments while your car is with us? Or, if you need to be mobile, take advantage of one of our courtesy cars which we can even deliver to you.\* We guarantee we can service your Audi within 5 days without a courtesy car or within 10 days if you need transport. We will also ensure your car is returned to you with a full valet.

## Audi Genuine Parts

You can rest assured that only Audi Genuine Parts will be used on your vehicle. What's more, Audi parts and labour come with a 2-year guarantee.\*\*

## No hidden costs

We believe strongly in transparency when it comes to our prices. For added peace of mind, we will give you a quotation over the phone for the work you have requested and email you the price confirmation. We'll consult you if any additional work on your car is needed when it is with us. We won't carry out any extra work without asking your permission first.

## All part of the service

Whenever we see an Audi for a service, we connect it directly to our headquarters in Ingolstadt which enables us to check your car's software and make sure it's as up-to-date as possible. If the factory has released a software upgrade for your model, it can be applied immediately - improving anything from your car's efficiency to the precision of its parking system.

## Audi Roadside Assistance

Your new car comes complete with 3 years' complimentary roadside assistance and recovery across the UK, provided by Automobile Association Insurance Services Limited. Also included is roadside assistance throughout Europe, managed by Automobile Association Insurance Services Limited.

For further information and terms and conditions please visit [audi.co.uk](http://audi.co.uk)

\*Subject to availability.

\*\*Excludes wear and tear.



# A6 Saloon technical data

## Diesel

Engine	2.0 TDI ultra	2.0 TDI ultra	3.0 TDI	3.0 TDI quattro	3.0 TDI quattro	3.0 BiTDI quattro
Transmission	6-speed manual	7-speed S tronic	7-speed S tronic	7-speed S tronic	7-speed S tronic	8-speed tiptronic
Cylinder	4-cylinder	4-cylinder	6-cylinder	6-cylinder	6-cylinder	6-cylinder
Displacement, cubic cm (valves per cylinder)	1968 (4)	1968 (4)	2967 (4)	2967 (4)	2967 (4)	2967 (4)
Max. power, <sup>1</sup> PS at rpm	190/3800-4200	190/3800-4200	218/4000-4750	218/3250-4500	272/3500-4250	320/3900-4600
Max. torque, Nm at rpm	400/1750-3000	400/1750-3000	400/1250-3750	500/1250-3000	580/1500-3250	650/1400-2800
Top speed, mph	144	144	152	152	155*	155*
0-62mph acceleration, seconds	8.4	8.2	7.1	6.6	5.5	5.0
ABI insurance group 1-50 <sup>†</sup>	33E	33E	35E	40E	42E	44E
Unladen weight, <sup>2</sup> kg	1625	1660	1695	1765	1770	1835
Gross weight limit, kg	2205	2240	2275	2375	2380	2445
Roof load limit/nose weight, kg	100/85	100/85	100/85	100/85	100/85	100/85
Max trailer load unbraked, <sup>3</sup> kg	750	750	750	750	750	750
Max trailer load with 12% gradient, <sup>3</sup> kg	1800	1800	2000	2000	2000	2100
Max trailer load with 8% gradient, <sup>3</sup> kg	2000	2000	2100	2100	2100	2100
Luggage compartment capacity, rear seats upright, litres	530	530	530	530	530	530
Fuel tank capacity approx, litres	73	73	73	73	73	73
Emission standard	EU6 <sup>^</sup>	EU6 <sup>^</sup>	EU6 <sup>^</sup>	EU6 <sup>^</sup>	EU6 <sup>^</sup>	EU6 <sup>^</sup>

\*Electronically limited.

<sup>^</sup>The addition of AdBlue technology ensures compliance with EU6 emission standards. The AdBlue tank may require refilling between services.

<sup>†</sup>Highest insurance group rating shown. Group may be lower dependent on trim level. Please visit [www.thatcham.org/abigrouprating](http://www.thatcham.org/abigrouprating) for details.

<sup>1</sup>The given value was obtained in accordance with the specified measurement procedure (the respective current version of the Directive 80/1269/EEC).

<sup>2</sup>Vehicle's unladen weight without driver (calculated in accordance with the current version of Directive 80/1268/EEC). The fitting of additional equipment may increase the vehicle's unladen weight and drag coefficient, whereupon the potential carrying capacity and top speed will be correspondingly reduced.

<sup>3</sup>The engine's power output always goes down with increasing altitude. At 1,000m above sea level, and for every additional 1,000m, deduct 10% from the weight of the outfit (trailer load limit + gross weight of the towing vehicle).

**Please note:** The maximum power output figures are quoted in PS (or Pferdestärke, which is the metric equivalent of brake horsepower). To convert to brake horsepower, divide the PS figure by 1.0139.

# A6 Saloon technical data

Depending upon your chosen A6 wheel size, different efficiency figures for CO<sub>2</sub> emissions and fuel consumption will apply (based on EU directive no. 715/2007 effective from 01/09/14). This table is a quick reference guide to assist you in finding the correct values based on wheel sizes and chosen engine.

<sup>1</sup>The given value was obtained in accordance with the specified measurement procedure (the respective current version of the Directive 80/1269/EEC).

<sup>2</sup>Fuel consumption and CO<sub>2</sub> emissions figures are obtained under standardised test conditions (Directive 93/116/EEC) using a representative model. This allows direct comparison between different models from different manufacturers, but may not represent the actual fuel consumption achieved in 'real world' driving conditions. More information is available at [www.dft.gov.uk/vca](http://www.dft.gov.uk/vca)

**Please note:** The maximum power output figures are quoted in PS (or Pferdestärke, which is the metric equivalent of brake horsepower). To convert to brake horsepower, divide the PS figure by 1.0139.

## Diesel

Engine		2.0 TDI ultra	2.0 TDI ultra	3.0 TDI	3.0 TDI quattro	3.0 TDI quattro	3.0 BiTDI quattro
Transmission		6-speed manual	7-speed S tronic	7-speed S tronic	7-speed S tronic	7-speed S tronic	8-speed tiptronic
Max. power, <sup>1</sup> PS at rpm		190/3800-4200	190/3800-4200	218/4000-4750	218/3250-4500	272/3500-4250	320/3900-4600
CO <sub>2</sub> emissions, <sup>2</sup> g/km	17" wheels	113	109	122	133	133	159
	18" wheels	114	110	122	133	133	159
	19" wheels	116	113	124	135	135	161
	20" wheels	119	116	127	138	138	164
Benefit in kind (BIK)%	17" wheels	18%	17%	20%	22%	22%	27%
	18" wheels	18%	18%	20%	22%	22%	27%
	19" wheels	19%	18%	20%	23%	22%	28%
	20" wheels	19%	19%	21%	23%	23%	28%
Fuel consumption, <sup>2</sup> mpg (l/100km) Urban	17" wheels	55.4 (5.1)	60.1 (4.7)	51.4 (5.5)	47.9 (5.9)	47.9 (5.9)	38.7 (7.3)
	18" wheels	54.3 (5.2)	60.1 (4.7)	51.4 (5.5)	47.9 (5.9)	47.9 (5.9)	38.7 (7.3)
	19" wheels	54.3 (5.2)	58.9 (4.8)	51.4 (5.5)	47.9 (5.9)	47.9 (5.9)	38.2 (7.4)
	20" wheels	52.3 (5.4)	57.6 (4.9)	50.4 (5.6)	47.1 (6.0)	47.1 (6.0)	37.7 (7.5)
Fuel consumption, <sup>2</sup> mpg (l/100km) Extra Urban	17" wheels	74.3 (3.8)	72.4 (3.9)	65.7 (4.3)	61.4 (4.6)	61.4 (4.6)	53.3 (5.3)
	18" wheels	72.4 (3.9)	72.4 (3.9)	65.7 (4.3)	61.4 (4.6)	61.4 (4.6)	53.3 (5.3)
	19" wheels	72.4 (3.9)	70.6 (4.0)	64.2 (4.4)	60.1 (4.7)	60.1 (4.7)	52.3 (5.4)
	20" wheels	70.6 (4.0)	68.9 (4.1)	62.8 (4.5)	58.9 (4.8)	58.9 (4.8)	51.4 (5.5)
Fuel consumption, <sup>2</sup> mpg (l/100km) Combined	17" wheels	65.7 (4.3)	67.3 (4.2)	60.1 (4.7)	55.4 (5.1)	55.4 (5.1)	47.1 (6.0)
	18" wheels	64.2 (4.4)	67.3 (4.2)	60.1 (4.7)	55.4 (5.1)	55.4 (5.1)	47.1 (6.0)
	19" wheels	64.2 (4.4)	65.7 (4.3)	58.9 (4.8)	55.4 (5.1)	55.4 (5.1)	46.3 (6.1)
	20" wheels	62.8 (4.5)	64.2 (4.4)	57.6 (4.9)	54.3 (5.2)	54.3 (5.2)	45.6 (6.2)

# A6 Avant technical data

## Diesel

Engine	2.0 TDI ultra	2.0 TDI ultra	3.0 TDI	3.0 TDI quattro	3.0 TDI quattro	3.0 BiTDI quattro
Transmission	6-speed manual	7-speed S tronic	7-speed S tronic	7-speed S tronic	7-speed S tronic	8-speed tiptronic
Cylinder	4-cylinder	4-cylinder	6-cylinder	6-cylinder	6-cylinder	6-cylinder
Displacement, cubic cm (valves per cylinder)	1968 (4)	1968 (4)	2967 (4)	2967 (4)	2967 (4)	2967 (4)
Max. power, <sup>1</sup> PS at rpm	190/3800-4200	190/3800-4200	218/4000-4750	218/3250-4500	272/3500-4250	320/3900-4600
Max. torque, Nm at rpm	400/1750-3000	400/1750-3000	400/1250-3750	500/1250-3000	580/1500-3250	650/1400-2800
Top speed, mph	140	140	145	145	155*	155*
0-62mph acceleration, seconds	8.7	8.5	7.3	6.8	5.7	5.2
ABI insurance group 1-50 <sup>4</sup>	33E	33E	35E	40E	42E	44E
Unladen weight, <sup>2</sup> kg	1690	1725	1760	1830	1835	1900
Gross weight limit, kg	2320	2355	2390	2460	2465	2530
Roof load limit/nose weight, kg	100/85	100/85	100/85	100/85	100/85	100/85
Max trailer load unbraked, <sup>3</sup> kg	750	750	750	750	750	750
Max trailer load with 12% gradient, <sup>3</sup> kg	1800	1800	2000	2000	2000	2100
Max trailer load with 8% gradient, <sup>3</sup> kg	2000	2000	2100	2100	2100	2100
Luggage compartment capacity, rear seats upright, litres	565	565	565	565	565	565
Fuel tank capacity approx, litres	73	73	73	73	73	73
Emission standard	EU6 <sup>5</sup>	EU6 <sup>5</sup>	EU6 <sup>5</sup>	EU6 <sup>5</sup>	EU6 <sup>5</sup>	EU6 <sup>5</sup>

\*Electronically limited.

<sup>4</sup>The addition of AdBlue technology ensures compliance with EU6 emission standards. The AdBlue tank may require refilling between services.

<sup>5</sup>Highest insurance group rating shown. Group may be lower dependent on trim level. Please visit [www.thatcham.org/abigrouprating](http://www.thatcham.org/abigrouprating) for details.

<sup>1</sup>The given value was obtained in accordance with the specified measurement procedure (the respective current version of the Directive 80/1269/EEC).

<sup>2</sup>Vehicle's unladen weight without driver (calculated in accordance with the current version of Directive 80/1268/EEC). The fitting of additional equipment may increase the vehicle's unladen weight and drag coefficient, whereupon the potential carrying capacity and top speed will be correspondingly reduced.

<sup>3</sup>The engine's power output always goes down with increasing altitude. At 1,000m above sea level, and for every additional 1,000m, deduct 10% from the weight of the outfit (trailer load limit + gross weight of the towing vehicle).

**Please note:** The maximum power output figures are quoted in PS (or Pferdestärke, which is the metric equivalent of brake horsepower). To convert to brake horsepower, divide the PS figure by 1.0139.

# A6 Avant technical data

Depending upon your chosen A6 wheel size, different efficiency figures for CO<sub>2</sub> emissions and fuel consumption will apply (based on EU directive no. 715/2007 effective from 01/09/14). This table is a quick reference guide to assist you in finding the correct values based on wheel sizes and chosen engine.

<sup>1</sup>The given value was obtained in accordance with the specified measurement procedure (the respective current version of the Directive 80/1269/EEC).

<sup>2</sup>Fuel consumption and CO<sub>2</sub> emissions figures are obtained under standardised test conditions (Directive 93/116/EEC) using a representative model. This allows direct comparison between different models from different manufacturers, but may not represent the actual fuel consumption achieved in 'real world' driving conditions. More information is available at [www.dft.gov.uk/vca](http://www.dft.gov.uk/vca)

**Please note:** The maximum power output figures are quoted in PS (or Pferdestärke, which is the metric equivalent of brake horsepower). To convert to brake horsepower, divide the PS figure by 1.0139.

## Diesel

Engine		2.0 TDI ultra	2.0 TDI ultra	3.0 TDI	3.0 TDI quattro	3.0 TDI quattro	3.0 BiTDI quattro
Transmission		6-speed manual	7-speed S tronic	7-speed S tronic	7-speed S tronic	7-speed S tronic	8-speed tiptronic
Max. power, <sup>1</sup> PS at rpm		190/3800-4200	190/3800-4200	218/4000-4750	218/3250-4500	272/3500-4250	320/3900-4600
CO <sub>2</sub> emissions, <sup>2</sup> g/km	17" wheels	118	114	125	138	138	164
	18" wheels	119	115	125	138	138	164
	19" wheels	121	118	127	140	140	166
	20" wheels	124	121	130	144	144	169
Benefit in kind (BIK)%	17" wheels	19%	18%	21%	23%	23%	28%
	18" wheels	19%	19%	21%	23%	23%	28%
	19" wheels	20%	19%	21%	24%	24%	29%
	20" wheels	20%	20%	22%	24%	24%	29%
Fuel consumption, <sup>2</sup> mpg (l/100km) Urban	17" wheels	53.3 (5.3)	57.6 (4.9)	51.4 (5.5)	47.1 (6.0)	47.1 (6.0)	37.7 (7.5)
	18" wheels	52.3 (5.4)	57.6 (4.9)	51.4 (5.5)	47.1 (6.0)	47.1 (6.0)	37.7 (7.5)
	19" wheels	52.3 (5.4)	56.5 (5.0)	51.4 (5.5)	46.3 (6.1)	46.3 (6.1)	37.2 (7.6)
	20" wheels	51.4 (5.5)	55.4 (5.1)	50.4 (5.6)	45.6 (6.2)	45.6 (6.2)	36.7 (7.7)
Fuel consumption, <sup>2</sup> mpg (l/100km) Extra Urban	17" wheels	70.6 (4.0)	68.9 (4.1)	64.2 (4.4)	58.9 (4.8)	58.9 (4.8)	51.4 (5.5)
	18" wheels	70.6 (4.0)	68.9 (4.1)	64.2 (4.4)	58.9 (4.8)	58.9 (4.8)	51.4 (5.5)
	19" wheels	68.9 (4.1)	67.3 (4.2)	62.8 (4.5)	57.6 (4.9)	57.6 (4.9)	50.4 (5.6)
	20" wheels	67.3 (4.2)	65.7 (4.3)	61.4 (4.6)	56.5 (5.0)	56.5 (5.0)	49.6 (5.7)
Fuel consumption, <sup>2</sup> mpg (l/100km) Combined	17" wheels	62.8 (4.5)	64.2 (4.4)	58.9 (4.8)	53.3 (5.3)	53.3 (5.3)	45.6 (6.2)
	18" wheels	61.4 (4.6)	64.2 (4.4)	58.9 (4.8)	53.3 (5.3)	53.3 (5.3)	45.6 (6.2)
	19" wheels	61.4 (4.6)	62.8 (4.5)	57.6 (4.9)	53.3 (5.3)	53.3 (5.3)	44.8 (6.3)
	20" wheels	60.1 (4.7)	61.4 (4.6)	56.5 (5.0)	52.3 (5.4)	52.3 (5.4)	44.1 (6.4)

# S6

## technical data

Depending upon your chosen S6 wheel size, different efficiency figures for CO2 emissions and fuel consumption will apply (based on EU directive no. 715/2007 effective from 01/09/14). This table is a quick reference guide to assist you in finding the correct values based on wheel sizes and chosen engine.

\*Electronically limited.

<sup>†</sup>Highest insurance group rating shown. Group may be lower dependent on trim level. Please visit [www.thatcham.org/abigrouprating](http://www.thatcham.org/abigrouprating) for details.

<sup>‡</sup>The given value was obtained in accordance with the specified measurement procedure (the respective current version of the Directive 80/1269/EEC).

<sup>§</sup>Fuel consumption and CO2 emissions figures are obtained under standardised test conditions (Directive 93/116/EEC) using a representative model. This allows direct comparison between different models from different manufacturers, but may not represent the actual fuel consumption achieved in 'real world' driving conditions. More information is available at [www.dft.gov.uk/vca](http://www.dft.gov.uk/vca)

<sup>¶</sup>Vehicle's unladen weight without driver (calculated in accordance with the current version of Directive 80/1268/EEC). The fitting of additional equipment may increase the vehicle's unladen weight and drag coefficient, whereupon the potential carrying capacity and top speed will be correspondingly reduced.

<sup>||</sup>The engine's power output always goes down with increasing altitude. At 1,000m above sea level, and for every additional 1,000m, deduct 10% from the weight of the outfit (trailer load limit + gross weight of the towing vehicle).

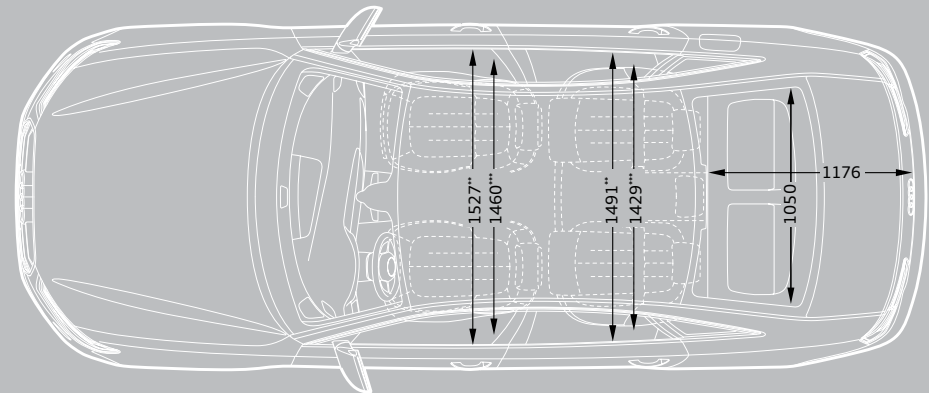
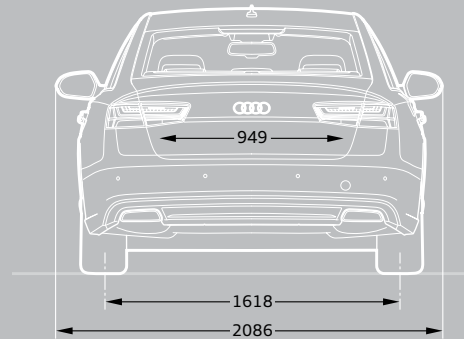
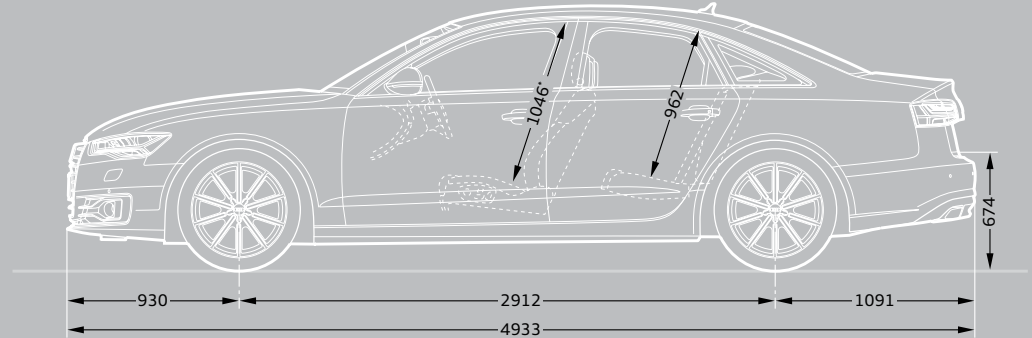
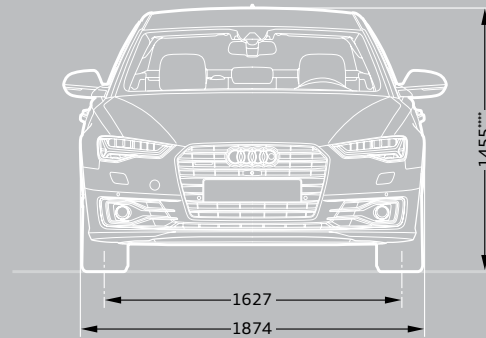
**Please note:** The maximum power output figures are quoted in PS (or Pferdestärke, which is the metric equivalent of brake horsepower). To convert to brake horsepower, divide the PS figure by 1.0139.

	Saloon	Avant
Engine	4.0 TFSI quattro	4.0 TFSI quattro
Transmission	7-speed S tronic	7-speed S tronic
Cylinder	V8	V8
Displacement, cubic cm (valves per cylinder)	3993	3993
Max. power, <sup>1</sup> PS at rpm	450/5800-6400	450/5800-6400
Max. torque, Nm at rpm	550/1400-5700	550/1400-5700
Top speed, mph	155*	155*
0-62mph acceleration, seconds	4.4	4.6
ABI insurance group 1-50 <sup>†</sup>	47E	47E
Unladen weight, <sup>‡</sup> kg	1895	1960
Gross weight limit, kg	2505	2590
Roof load limit/nose weight, kg	100/85	100/85
Max trailer load unbraked, <sup>§</sup> kg	750	750
Max trailer load with 12% gradient, <sup>¶</sup> kg	2100	2100
Max trailer load with 8% gradient, <sup>¶</sup> kg	2100	2100
Luggage compartment capacity, rear seats upright, litres	530	565
Fuel tank capacity approx, litres	75	75
Emission standard	EU6	EU6

		Saloon	Avant
Engine		4.0 TFSI quattro	4.0 TFSI quattro
Transmission		7-speed S tronic	7-speed S tronic
Max. power, <sup>1</sup> PS at rpm		450/5800-6400	450/5800-6400
CO2 emissions, <sup>2</sup> g/km	19" wheels	214	219
	20" wheels	218	224
Benefit in kind (BIK)%	19" wheels	35%	35%
	20" wheels	35%	35%
Fuel consumption, <sup>2</sup> mpg (l/100km) Urban	19" wheels	21.6 (13.1)	21.1 (13.4)
	20" wheels	21.2 (13.3)	20.9 (13.5)
Fuel consumption, <sup>2</sup> mpg (l/100km) Extra Urban	19" wheels	40.9 (6.9)	39.8 (7.1)
	20" wheels	39.8 (7.1)	38.7 (7.3)
Fuel consumption, <sup>2</sup> mpg (l/100km) Combined	19" wheels	30.7 (9.2)	30.1 (9.4)
	20" wheels	30.1 (9.4)	29.4 (9.6)

# A6 Saloon dimensions

The technical drawings opposite show the exact dimensions of the Audi A6 Saloon, so you can check everything – from whether the car will fit in your garage to whether your luggage will fit in the boot.



\*Maximum headroom.

\*\*Elbow room width.

\*\*\*Shoulder room width.

\*\*\*\*Vehicle height with roof aerial 1,468mm.

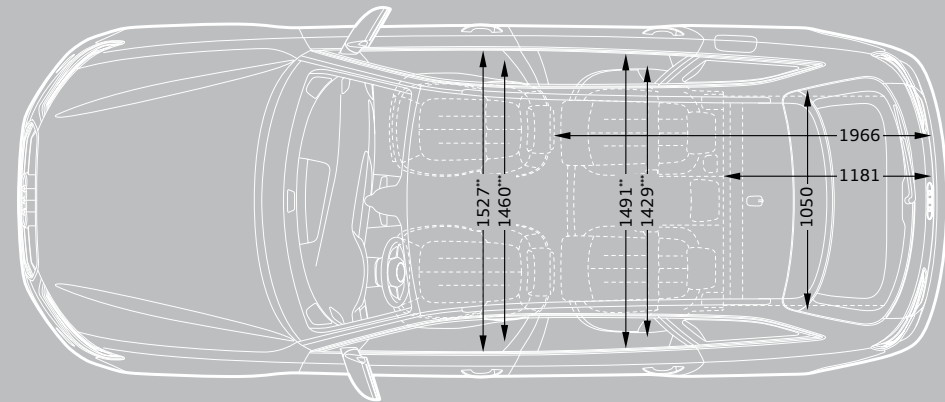
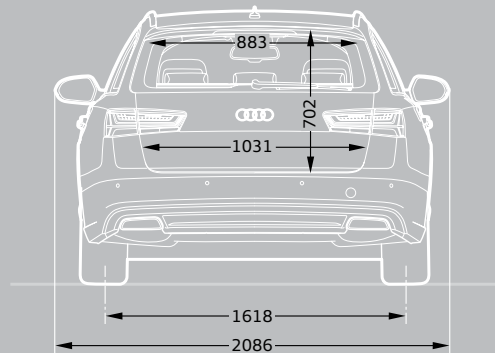
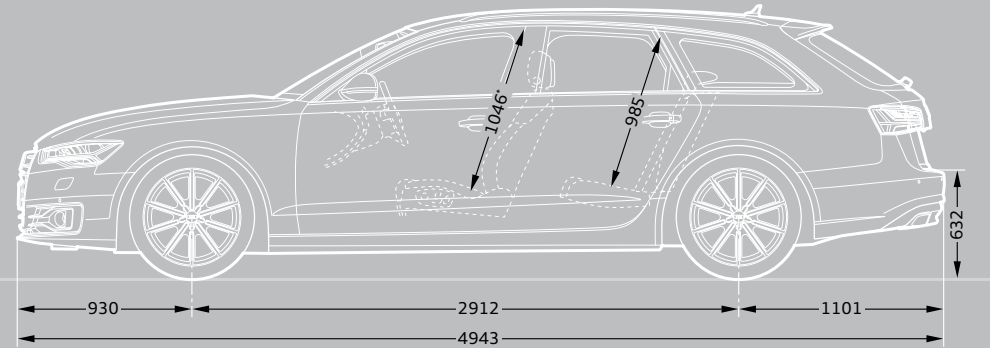
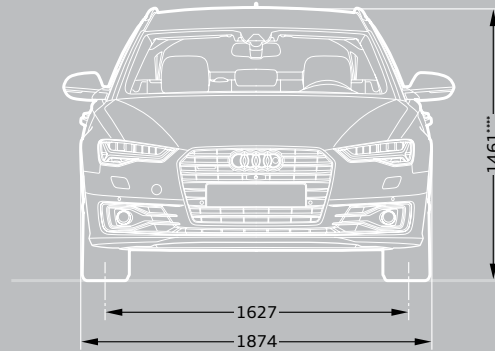
Dimensions in millimetres.

Turning circle approx 11.9m.

Dimensions were measured with vehicle at unladen weight. Luggage compartment volume in litres: 530/995 (measured by the VDA standard test method using 200 x 100 x 50mm blocks; second value: with rear seat folded down).

# A6 Avant dimensions

The technical drawings opposite show the exact dimensions of the Audi A6 Avant, so you can check everything – from whether the car will fit in your garage to whether your luggage will fit in the boot.



\*Maximum headroom.

\*\*Elbow room width.

\*\*\*Shoulder room width.

\*\*\*\*Vehicle height with roof aerial 1,468mm.

Dimensions in millimetres.

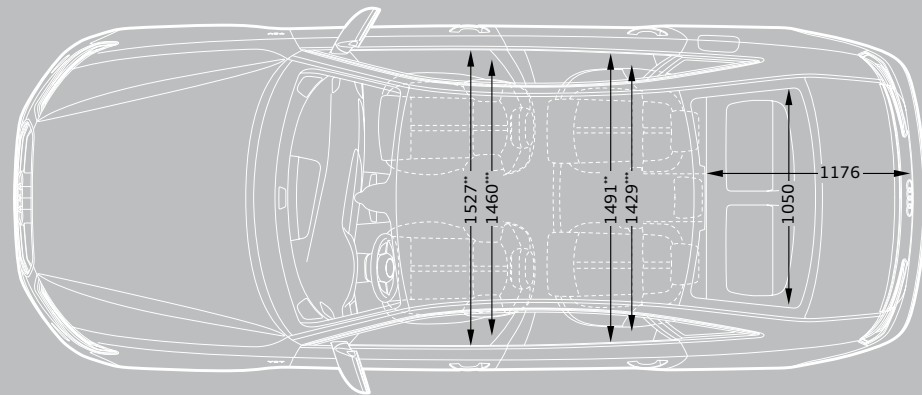
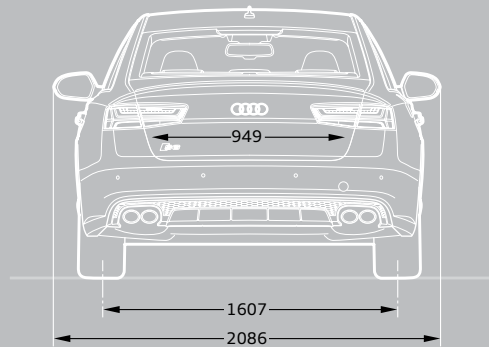
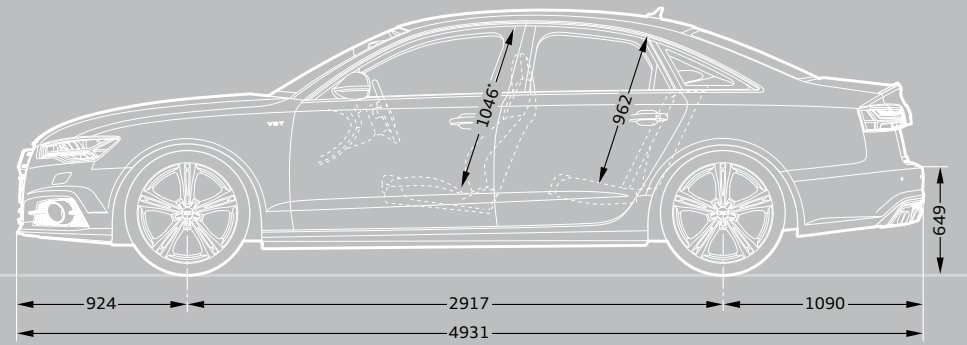
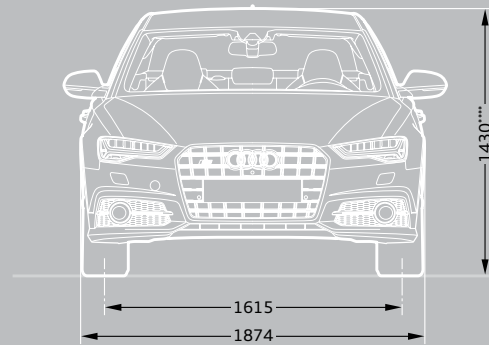
Turning circle approx 11.9m.

Dimensions were measured with vehicle at unladen weight. Luggage compartment volume in litres: 565/1680 (measured by the VDA standard test method using 200 x 100 x 50mm blocks; second value: with rear seat folded down).



# S6 Saloon dimensions

The technical drawings opposite show the exact dimensions of the Audi S6 Saloon, so you can check everything – from whether the car will fit in your garage to whether your luggage will fit in the boot.



\*Maximum headroom.

\*\*Elbow room width.

\*\*\*Shoulder room width.

\*\*\*\*Vehicle height with roof aerial 1,468mm.

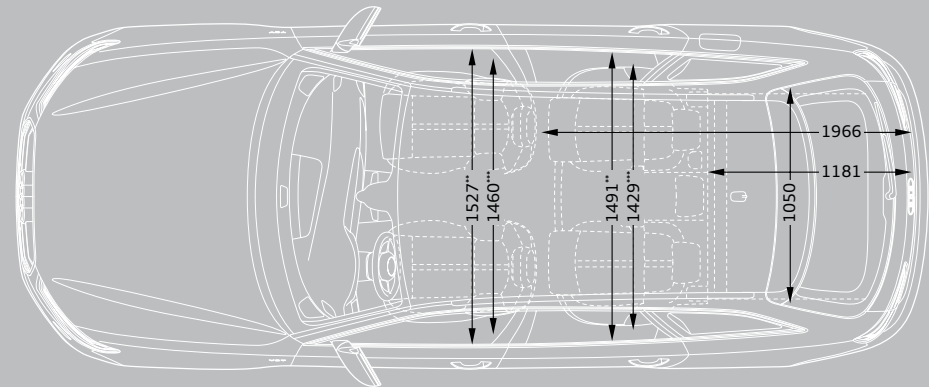
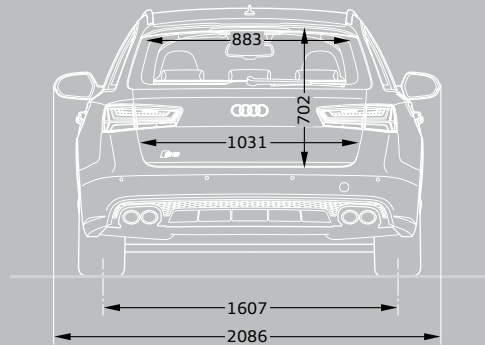
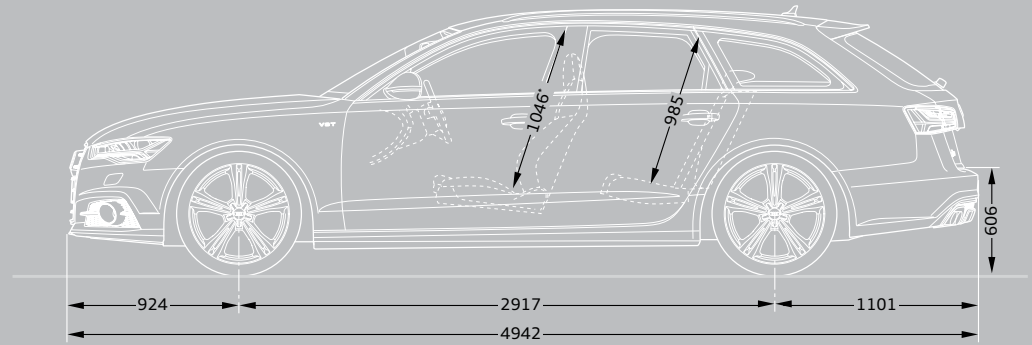
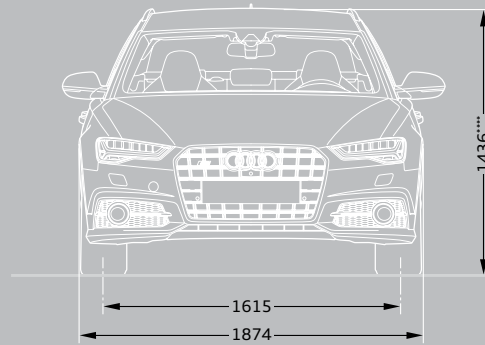
Dimensions in millimetres.

Turning circle approx 11.9m.

Dimensions were measured with vehicle at unladen weight. Luggage compartment volume in litres: 530/995 (measured by the VDA standard test method using 200 x 100 x 50mm blocks; second value: with rear seat folded down).

# S6 Avant dimensions

The technical drawings opposite show the exact dimensions of the Audi S6 Avant, so you can check everything – from whether the car will fit in your garage to whether your luggage will fit in the boot.



\*Maximum headroom.

\*\*Elbow room width.

\*\*\*Shoulder room width.

\*\*\*\*Vehicle height with roof aerial 1,468mm.

Dimensions in millimetres.

Turning circle approx 11.9m.

Dimensions were measured with vehicle at unladen weight. Luggage compartment volume in litres: 565/1680 (measured by the VDA standard test method using 200 x 100 x 50mm blocks; second value: with rear seat folded down).

# Pricing and Additional information

## Welcome to Audi

By placing an order for your Audi, you're choosing to get behind the wheel of one of the most sophisticated cars on the road. And because we believe the service we offer should be just as advanced, we want to let you know exactly what you can expect from us, now and in the future.

We've agreed a set of standards with all our Centres which governs the way we do business with you. It outlines the kind of service we promise to deliver for every customer, right down to filling each new Audi we sell with half a tank of fuel.

So whether you're interested in the date your car will arrive in the UK or the way we'll dispose of non-biodegradable materials after we service your Audi, you can have total confidence in us.

## Audi Promise

### Audi Centres

We guarantee that all our Centres will be open as follows:

Sales: Monday to Friday 9am–6pm  
Saturday 9am–5pm

Service: Monday to Friday 8am–6pm  
Saturday 8.30am–1pm

Sunday opening is at local discretion.

### New car delivery

Once we've confirmed a delivery date for your car, we'll keep you informed of progress. Subject to reasonable notice, we'll then deliver it to a place of your choice, whether that's your home or work. In the unlikely event of a delay, we'll provide a courtesy car to minimise inconvenience and keep you mobile.

### Environmental commitment

We promise to dispose of all non-biodegradable materials from your vehicle in a responsible manner.

### Pricing

Prices and specifications given are correct at the time of printing. Always check details with your Audi Centre as Audi policies are continually developing. We reserve the right to change prices or specifications at any time.

All prices are subject to VAT, currently charged at 20%, but this may alter to reflect any change in the applicable VAT rate.

Delivery charges and number plates are not included in the vehicle price.

Delivery charge	£471.66
Number plate	£20.00
VAT	£98.34
Total	£590.00

## Audi Customer Care

Every new Audi benefits from the comprehensive Audi Customer Care Package, which comprises:

- ▶ A 3-year Audi warranty, which covers you for unlimited mileage in the first 2 years of ownership, with a full mechanical and electrical warranty which covers you for up to 60,000 miles in the 3rd year
- ▶ A 3-year paint warranty
- ▶ A 12-year anti-corrosion warranty
- ▶ 3 years' UK roadside assistance and recovery

You also have the option when ordering your new car of choosing a 4-year or 5-year Audi warranty. Speak to a member of the sales team for more information.

### Audi tax-free sales

If you are entitled to purchase a vehicle free of VAT, normally through military or diplomatic privilege, please contact your local Audi Centre for full details.

Should you have any difficulty obtaining the information you require, please call 01908 548 356.

### Audi Finance

Audi Finance specialises in providing funding solutions for Audi drivers. Whether your Audi is for private or business use, there is a range of funding options to choose from.

Below is the full range of finance products, which comprises:

- ▶ Solutions – a Personal Contract Plan
- ▶ Hire purchase
- ▶ Lease purchase
- ▶ Finance lease
- ▶ Contract hire

With all products, you can choose a fixed-cost maintenance plan designed to help you budget accurately.

No matter which Audi model you choose, your local Audi Centre can provide you with a personalised quote designed to fit your budget and motoring needs.

Audi Finance is a trading name of Volkswagen Financial Services (UK) Limited. An offer of finance depends on certain conditions. Available to people over 18 in the UK only.

### Audi Insurance

We want you to start enjoying your new car from day one and thanks to Audi Insurance complimentary 7-day cover, you can. Call free on 0800 316 7893 (lines are open Monday to Friday 8am - 9pm, and Saturday 9am - 5pm), provide a few details and a cover note will be sent to your Audi Centre. They will then tax your car and you can drive it away.

## CO2 data and information

### CO2 emissions-based Vehicle Excise Duty

Vehicle Excise Duty (Road Fund Licence) is based upon the amount of Carbon Dioxide (CO2) a vehicle emits, measured in grams per kilometre (g/km).

First year VED rates apply to the first year of ownership. Annual VED rates apply thereafter. The DVLA has created thirteen categories:

Petrol and Diesel engines	First year	Annual rate (second year onwards)
A – up to 100g/km	£0.00	£0.00
B – 101 to 110g/km	£0.00	£20.00
C – 111 to 120g/km	£0.00	£30.00
D – 121 to 130g/km	£0.00	£110.00
E – 131 to 140g/km	£130.00	£130.00
F – 141 to 150g/km	£145.00	£145.00
G – 151 to 165g/km	£180.00	£180.00
H – 166 to 175g/km	£290.00	£205.00
I – 176 to 185g/km	£345.00	£225.00
J – 186 to 200g/km	£485.00	£265.00
K – 201 to 225g/km	£635.00	£285.00
L – 226 to 255g/km	£860.00	£485.00
M – over 255g/km	£1,090.00	£500.00

Vehicle Excise Duty (VED) rates correct at time of going to print, but these may alter to reflect any change in the applicable VED rate.

## Audi Connect

An external data source is required to enable Audi Connect online services. One of two can be used:

1. A mobile telephone with Bluetooth SIM Access Profile – to check the compatibility of your mobile phone and whether it has SIM Access Profile compatibility, please visit [www.audi.co.uk/phonecompatibility](http://www.audi.co.uk/phonecompatibility)
2. A separate SIM card which can be inserted in the included SIM card reader. When a separate SIM card is used, hands-free phone calls are possible using the SIM card or by connecting a different mobile telephone via Bluetooth Hands Free Profile

Online services are only available for mobile phone contracts or SIM cards which include a data option with the use of LTE, if LTE usage is required. Online services will only be available within the coverage of the mobile phone network; there may be additional costs for the use of these services (charges and billing correspond to the personal mobile phone contract or SIM card contract). Due to high data volumes, a mobile phone contract including an unlimited or high usage data plan is strongly recommended. The content and scope of the online based services offered may vary. The Audi Connect services are provided for at least one year from vehicle delivery. After 24 months from delivery of the vehicle, the term of the Audi Connect services will be extended free of charge once for 12 months.

Audi Connect enables access to the services of Facebook, Google and Twitter. Permanent availability cannot be guaranteed as this is the responsibility of Facebook, Google and Twitter.

Please note that the services received are also dependent on the capability of your mobile phone.

Google and the Google logo are registered trademarks of Google Inc.

The availability of services supported by Audi Connect varies from country to country.

### Online Map updates

The map version delivered can be updated with the first 5 updates which are issued at intervals of 6 months. The current navigation data can be downloaded from the myAudi Platform at [www.audi.com/myaudi](http://www.audi.com/myaudi) and installed in the vehicle via SD card. In conjunction with Audi Connect, the update can be carried out online in the vehicle. In addition it is possible to have the new navigation data installed by an Audi partner at extra cost.









**Audi UK**  
Customer Services  
Selectapost 29  
Sheffield  
S97 3FG  
0800 699888  
audi.co.uk

Specifications and prices subject  
to change without notice.

© Audi (UK)

Printed in the UK  
Edition 1.4 03/15  
2015 model year

Images are for illustrative purposes only.

