



**The Audi TT and TTS Coupé  
and Roadster range**

Pricing and Specification Guide  
Valid from June 2015



# Personalising your Audi TT

This guide has been designed to help you tailor and price your Audi TT quickly and logically. At the back, you will find information on CO2 emissions-based taxation and the other services offered by Audi, including Finance and Insurance. You can also configure your Audi TT online at [audi.co.uk](http://audi.co.uk)



**Get more from this brochure with the free Audi Vision app.**

Audi Vision brings our brochures to life through Augmented Reality. It works by recognising images on a page through your device's camera. Suitable for phones or tablets, download it for free from the App Store or Google Play. Once downloaded, simply open the app and scan the cover of your guide. Then look out for any page with the Audi Vision logo, you can then hold your device over the page and watch as you get exclusive access to extra images, information and video content.



## The Audi TT

|                        |    |
|------------------------|----|
| Audi Matrix LED lights | 16 |
| quattro®               | 20 |
| Efficiency             | 22 |
| Audi Virtual Cockpit   | 28 |
| Audi Connect           | 30 |
| Technology             | 32 |

## Model details and prices

|                        |    |
|------------------------|----|
| Sport model equipment  | 34 |
| S line model equipment | 36 |
| S model equipment      | 38 |
| Model prices           | 40 |

## Colour and upholstery

|                       |    |
|-----------------------|----|
| Paint                 | 42 |
| Hood colours          | 46 |
| Upholstery            | 48 |
| Colour and trim guide | 56 |

## Interior styling

60

## Options

|                              |    |
|------------------------------|----|
| Wheels, tyres and suspension | 66 |
| Packages                     | 70 |
| Audio and communication      | 74 |
| Interior equipment           | 75 |
| Exterior equipment           | 76 |
| Safety and security          | 78 |

## Looking after your Audi

|                            |    |
|----------------------------|----|
| Audi Complete and warranty | 80 |
| Accessories                | 84 |
| Merchandise                | 85 |
| Audi Difference            | 86 |

## Technical details

|                                    |    |
|------------------------------------|----|
| Technical data and dimensions      | 88 |
| Pricing and Additional information | 96 |





## Vorsprung durch Technik

Three words that express the very essence of Audi. Vorsprung durch Technik isn't a slogan. It's our way of seeing the world. It is the driving force behind our history of innovation that continues into the 21st century. Indeed, many technologies that Audi pioneered remain in our cars today. Some are milestones in the history of the motorcar. From our beginnings in 1899, to the Auto Union team's Grand Prix successes in the 1930s and our more recent wins at Le Mans, we have always been at the forefront of the motor industry.

Vorsprung durch Technik makes us who we are. To see more of its influence, just read on.

## **Audi TT. The history of an icon.**

When revolutionary design meets advanced technology, legends are born.

Indeed, when the Audi TT concept car was first unveiled to the public in 1995, it met with immediate and huge acclaim.

Few production cars resembled their concept quite as closely as this one. And when the Audi TT first went on sale in 1998, it quickly became one of the most popular sports cars in its class.

In 2006, another milestone. The second generation TT launches. With Audi Space Frame technology, it's 90kg lighter – translating into an agile and responsive drive that garners award after award.

Now we've reached the next chapter: the third-generation TT. Unique, distinctive, unmistakably Audi: it continues to define the notion of what a sports car should be.











## **The Audi TT. Redesigned, re-engineered, reborn.**

The curves, contours and proportions are familiar. But the design is sharper. The performance more powerful. The handling more responsive.

Welcome to the third-generation Audi TT. The latest iteration combines advanced Audi technology with a striking evolution of an iconic design.

The changes begin with a wider, more imposing stance. At the front, a broad, single-framed grille flanked by dramatic, angular headlights. And at the rear, a hidden central brake light underneath a concealed spoiler that rises automatically at speeds above 74mph.\*

Inside, a redesigned cabin, featuring the Audi Virtual Cockpit showing all driver information in a display never seen before in an Audi.

Under the bonnet, a new 2.0 TFSI petrol engine. With output increased from 211PS to 230PS, acceleration is even more responsive. And with 50kg of weight saved, the third-generation TT is more efficient as well as more agile.

The Audi TT. The icon is reborn.

## **TT Coupé**

From the outside, the TT Coupé has all the iconic style of its predecessors. The classic shape has been streamlined but its silhouette remains as recognisable as ever.

Step inside the latest incarnation of the TT Coupé however, and you'll find a completely redesigned interior. Air conditioning controls have a revolutionary design and are integrated into the air vents. And with innovations like the Audi Virtual Cockpit that puts all of the car's controls at your fingertips, it's a car that puts you firmly in the driving seat.









## **TT** Roadster

The TT Roadster maintains all the distinctive hallmarks that make it instantly recognisable. A fully-acoustic fabric hood. Aluminium-look rollbars. And the unmistakable TT silhouette.

But under the bonnet, things have changed.

Our award-winning 2.0-litre TFSI engine has been enhanced yet further to generate more power and torque. And despite the advances in performance, it uses less fuel and produces fewer emissions than its predecessor. Which is one improvement you'll appreciate from the very first drive.

# TTS

## A beauty and a beast.

The S badge on an Audi model signifies something special. And the TTS is something very special. Combining blistering performance with marque-defining styling, the third generation TTS is both beautiful and powerful. Power has been increased by 38PS so the super-efficient 2.0-litre TFSI four-cylinder, variable valve engine now puts 310PS through either a 6-speed manual or S tronic transmission to power the quattro® all-wheel-drive. We've also developed TT-specific software that enhances the way power is delivered to the road. It means that the TTS Coupé now accelerates from 0-62mph in 4.6 seconds\*, while the TTS Roadster achieves the same in 4.9 seconds.\* Whichever car you choose, they're both capable of going on to an electronically limited top speed of 155mph.\*\*

Audi Magnetic ride ensures the TTS sticks to the road and handles with exceptional agility and precision when driven hard; while highly distinctive bumpers and rear diffuser, chrome-plated quad exhaust tailpipes, 19" 5-arm alloy wheels and black painted calipers hint at the TTS's capabilities and intentions – even when it's stationary.

Inside, the TTS also delights. Front Super Sport seats look and act the part, while the TTS specific Audi Virtual Cockpit displays the superb performance of the TTS in a wide 12.3" fully digital display.











# Matrix LED lights

## **Look good, see better.**

Far from just making a dramatic statement, optional Matrix LED headlights featured on the Audi TT incorporate remarkable technology that adapts automatically to the car's surroundings.

Sensors and an inbuilt camera allow Matrix LED headlights to detect rear and oncoming lights of other road users, as well as ambient light in built-up areas. The technology then reacts by dipping individual LEDs to prevent dazzle, while still fully illuminating the remainder of the road.

Using the vehicle's optional navigation data, Matrix LED technology can even anticipate corners, adjusting LEDs as you negotiate the bend. The result is a much wider visual range, benefitting both you and other road users. And with dynamic, sweeping LED indicators at both front and rear, the striking look is complete.









# quattro®

## **Enhanced TT. Enhanced grip.**

quattro® reborn: our legendary all-wheel-drive system returns in the latest Audi TT to give you even more traction, grip and driving enjoyment.

The mechanics of quattro® in the TT have been refined and developed, but particular attention has been devoted to the controlling software.

Coupled with Dynamic mode in Audi drive select, the system that enables you to adjust the performance characteristics of your car, more torque is now distributed to the rear axle in a fraction of a second for more agility on sportier drives. While in Efficiency, Comfort, Auto and Individual modes, the ideal amount of power is distributed to each wheel to maintain the TT's perfectly balanced handling according to driving conditions and your preference.

Improved traction, better grip, more driving fun. Welcome to our latest quattro® all-wheel-drive system in the Audi TT.

# Efficiency

## Sometimes less is more.

At Audi, doing less is something we're trying to do more of. We're constantly working to use less fuel, release less CO<sub>2</sub> and waste less energy. That's why we've incorporated Audi ultra technology into the TT: to make your drive dynamic, powerful and efficient.

It begins with lightweight engineering. With Audi Space Frame technology, both aluminium and steel are used for elements of the body – making the TT up to 50kg lighter than its predecessor. So, while the car is more agile, it's less demanding at the fuel pump.

Efficiency continues with Audi drive select including Eco mode, standard on the TT. This allows you to change the vehicle to a more frugal configuration when it suits you.

Yet this efficiency in no way compromises performance. So while the 2.0 TDI ultra engine achieves up to 62.8mpg and CO<sub>2</sub> emissions of just 116g/km, it also produces a staggering 380Nm of torque with acceleration of 0-62mph in 7.1 seconds.\*













## Change from within.

Using our latest innovations and meticulous attention to detail, our designers created a sleek, uncluttered cabin.

Gone is the analogue instrument cluster, replaced by the Audi Virtual Cockpit displaying all information from directly behind the steering wheel. This, in turn, makes for a slimmed down instrument panel.

With a stroke of inspiration, the classic TT round air vents now house air conditioning controls and optional digital displays.

Standard Sports seats in Alcantara/leather with integrated headrests complete the cabin's look: sharp, minimalist, sporty.

# Audi Virtual Cockpit

## Visible innovation.

Always evolving, ever improving: the Audi Virtual Cockpit, featured for the first time in the Audi TT, sets new standards.

Located directly behind the steering wheel, a 1440 x 540 pixel, 12.3-inch digital screen shows all information directly in front of the driver. Operated via the MMI Touch button, voice control and the multi-function steering wheel, the display can be switched between 'classic',

with prominent speedometer and rev counter, or 'infotainment', which brings functions such as the navigation map or media to the fore. And in the TTS there is a unique screen showcasing a rev counter in the centre of the virtual cockpit.

With brilliant graphics, a 3D impression and highly detailed effects, the Audi Virtual Cockpit is the embodiment of the TT's technological innovation.





### Switch views at the touch of a button

Drivers can choose their preferred view but switch easily as required, simply by pressing the 'view' button on the multi-function steering wheel.



### Ultimate driver control

The Audi Virtual Cockpit can be controlled using the multi-function steering wheel, the latest voice-control technology or MMI Touch – the touch-sensitive panel on the rotary/push-button in the centre console which enables you to enter letters and digits with your fingers – allowing for intuitive operation without taking your eyes off the road.

# Audi Connect

## Stay networked on the move.

Being inside your car shouldn't mean losing touch with the outside world. That's why, with Audi Connect, the TT creates a link between you and the Internet.

With high-speed, 4G Internet access in your car, you can go online to access information, entertainment and Google Earth™ navigation maps by scrolling, tapping or speaking your commands. Audi Connect can even find you the cheapest fuel price in your area. And, with a wireless hotspot within the car, passengers can connect their mobile devices – to browse the internet, download emails, or access social media.

With Audi Connect, the world stays at your fingertips.

Please note that an external data source is required to enable Audi Connect online services. Terms and conditions apply to certain Audi Connect functions. Please see page 97 for additional information. \*Only available if your mobile phone has the Bluetooth profile MAP (Message Access Profile)



### WiFi hotspot

Connects your mobile devices to the internet



### Email

Your emails can be transmitted to your Audi MMI and read out conveniently\*



### Online media streaming

Pairing a smartphone with the Audi Music stream app offers access to worldwide radio stations and music stored on the smartphone



### Twitter

Enables you to tweet and receive updates on the move. With text-to-speech and other convenient text functions



### Weather information

Gives you forecasts and maps for your chosen destination



### Map update

The map version delivered can be updated free of charge with the first 5 navigation updates which are issued at intervals of 6 months



### Access smartphone voice control

Such as Siri (iPhone 4S and higher). By pressing and holding the voice control button on the multi-function leather steering wheel you can access the voice control function of the Bluetooth-connected smartphone directly, even while driving\*



### News online (individual)

Text and images from your favourite news sources with text-to-speech function



### City events

Up-to-date information about events happening at your destination



### Points of interest

Search Google™ using voice control



### Traffic information online

Complements the dynamic route guidance with real-time traffic flow information for individual stretches of road



### myAudi – special destinations

Import individual point-of-interest (POI) lists to your Satellite Navigation system via the myAudi portal



### Train information

Find departure and arrival times and platform information while you're on the road (also available for other types of public transport such as underground systems)



### Country specific information

The legal regulations for a specific country, such as speed limits or whether it is compulsory to carry a high-visibility vest or display a motorway toll sticker, are displayed when crossing a border



### Fuel prices

Information on filling stations with the cheapest prices in your selected search area



### Parking information

Helps you find car parks nearby and, where available, information on prices and currently vacant spaces



### Flight information

Get information about departure and arrival times as well as the corresponding gates and search directly for flight numbers



### Navigate with Google Earth™ and Google Street View™

Uses high-resolution aerial and satellite images as well as photos to guide you to your destination



### Destination entry via myAudi or Google Maps™

If required, navigation destinations can be conveniently planned on your PC or smartphone. myAudi and Google Maps™ allow individual navigation destinations to be sent to the vehicle. When you start your journey, these can be easily loaded as your destination

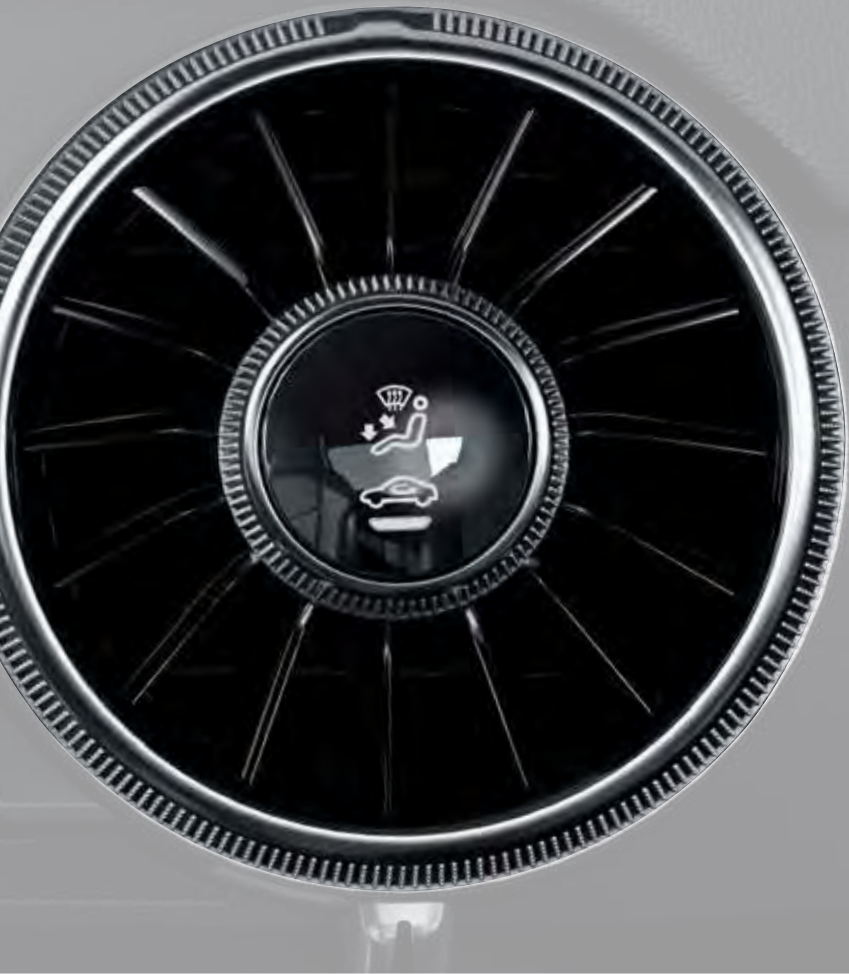
# Technology





# Technology is advancing at an ever faster pace, and choosing the right technology for your car is an important decision.

Here at Audi, we strive to make that choice as easy as possible, so we've packaged some of our most popular equipment together for simplicity, but also added value. The most popular of which are our Technology package, featuring Audi Connect and our Comfort and Sound package. For further details please see page 70.



## Climate control

Set low and with an arresting turbine-like look, the round air vents exemplify the TT's interior design. With controls and optional digital displays integrated within the vents, space has been saved on the dash, contributing to a clutter-free look in the cabin. For convenience, adjustment functions for seat heating, temperature, direction and strength are fixed in the vents' axes. Deluxe electronic climate control automatically maintains the air temperature at your chosen setting and includes digital displays. This option is available within the Comfort and Sound Package.



## MMI Navigation Plus

With MMI Navigation Plus, the navigation system is integrated into the stunning 12.3" Audi Virtual Cockpit to offer a 3D map display. It enables you to set your destination by simply writing characters on the touchpad or by saying a town or street name, so you don't need to divert your eyes from the road.



## Bang & Olufsen Sound System

An extraordinary car demands an extraordinary sound system. With a 680 Watt, 14-channel amplifier and 12 optimally placed loudspeakers, the Audi TT's optional Bang & Olufsen system provides just that. When combined with the Technology Package, this system delivers high-definition, 5.1 surround sound which, thanks to the standard active VNC (Vehicle Noise Control), is never impaired by internal or external ambient noise.

But it's not just about listening pleasure: every visible part of the system is designed to integrate elegantly into the car's sleek cabin.

# Sport model equipment

All TT Sport models have the following items of standard equipment

## Wheels, tyres and suspension

18" x 8.5J '10-spoke' design alloy wheels with 245/40 R18 tyres

**Audi drive select with 4 pre-configured modes** – Auto, Comfort, Dynamic, Efficiency and an Individual mode, allowing the driver to electronically adjust the engine, transmission and steering. Modes can be selected via a button in the centre console or via the MMI system

Anti-theft wheel bolts

Tyre repair kit

Electromechanical parking brake

**Progressive steering** – High steering precision combined with minimised steering effort thanks to variable steering ratio. Increases the vehicle's agility when cornering and reduces steering work when parking – can be configured via Audi drive select

**Start-Stop system** with energy recuperation

## Audio and communication

**Audi Virtual Cockpit** – 12.3" high resolution LCD display. The fully digital instrument cluster is customisable by the driver. All the functions and services are depicted using superb graphics with a 3D impression and detailed effects in brilliant clarity

**Audi Music Interface** – Universal connection for use with stereo audio sources, USB and MP3 devices including Apple iPod generation 4 onwards. The interface provides charging function (dependent on device)

**MMI Radio which includes:**

- Single CD player and two SDXC memory card readers (MP3, WMA and ACC compatible)
- MMI control panel with MMI Touch – a touch sensitive control panel that enables the driver to enter letters and digits using their fingers
- TP memo, which automatically saves traffic news when driving
- FM and AM (MW) radio reception
- 4 front passive speakers

DAB digital radio

**Bluetooth mobile telephone preparation** – For hands-free mobile phone connectivity and Bluetooth audio streaming (depending on compatibility of mobile phone)

**Seat belt microphone** – integrated into the seat belt to improve voice quality while making a call in any driving situation (Roadster only)



18" x 8.5J '10-spoke' design alloy wheels



Audi Virtual Cockpit



Xenon headlight with LED daytime-running light

### Exterior equipment

**Fully automatic acoustic hood** made out of insulated, three-layered fabric. Opens and closes in just 10 seconds up to road speeds of 31mph (Roadster only)

**Xenon headlights with LED daytime-running lights** with automatic headlight range control. Also includes LED rear lights, brake lights and rear indicators

**Door mirrors** – electrically adjustable and heated with built-in LED side indicators and painted in body colour

**Retractable rear spoiler** – deploys and retracts automatically at set speed or when the centre console button is pushed

### Interior equipment

**3-spoke flat bottomed leather-trimmed multi-function Sports steering wheel** – Includes speech dialogue system, adjustable in height and distance. With gear-shift paddles on S tronic models

**Manual air conditioning** with adjustable controls integrated directly in the air vents

**Inlays in aluminium design**

**Aluminium door sill trims**

**Non-smoking package** – Includes standard 12V socket

### Seats

**Front Sports seats with integrated head restraints** with manual forwards, backwards and backrest angle adjustment (on driver's and front passenger's side)

**Alcantara/leather upholstery**

- Seat centre panels and door trim inserts in black Alcantara

- Seat side bolsters and head restraints in black leather

**ISOFIX child seat mounting** for front passenger seat (with airbag deactivation) and outer rear seats. Including Top Tether attachment point

**Split-folding rear seat** (Coupé only)

### Safety and security

**Roll-over bars** – enhance safety for the driver and front passenger (Roadster only)

**Front airbags** with front passenger deactivation

**Tool kit, warning triangle and car jack**

**Keyless go** – allows engine to be started by simply pressing the start/stop button in the centre console

**Anti theft Alarm**

**First aid kit**

**Tyre pressure loss indicator**

**Audi lane assist** including windscreen sunband (2.0 TFSI and TTS only)



\*Image shown also features aluminium foot rest. On UK models this will be black.

# S line model equipment

## In addition to Sport model equipment

Total RRP inc VAT  
£2,550.00

### Wheels, tyres and suspension

19" x 9J '5-arm Star' design alloy wheels with 245/35 R19 tyres

Optional S line Sports suspension – lowered by 10mm. Must be ordered using code 1BV at no charge

### Exterior equipment

**All-weather LED headlights.** LED technology provides lower energy consumption and enhanced contrast with a colour similar to daylight, for increased safety and good recognition by other road users. Includes all-weather light function to reduce the risk of the driver being dazzled when visibility is poor (in fog, rain or snow). Also includes Headlight cleaning system

**LED tail lights** including LED dynamic rear indicators

**S line badges on the front wings**

**Radiator grille** in high-gloss black

**S line body styling comprising:**

- S line front and rear bumpers
- S line side sills
- S line rear diffuser with platinum grey insert

### Interior equipment

**S line badge** on the steering wheel

**Extended aluminium look in the interior** with pedals in stainless steel

**Inlays** in matt-brushed aluminium

**Door sill trims** with S line logo

**Gear lever knob** in black perforated leather

**Black headlining**

### Seats

**Black Alcantara/leather upholstery** with 'S' embossing and contrasting silver stitching on the upholstery, steering wheel and gear knob gaiter

**Electric 4-way lumbar support** – for front seats

### Safety and security

**Light and rain sensors** – Automatically switches the dipped beam headlights and windscreen wipers on/off depending on the light and rain conditions. Includes coming home/leaving home function which delays the deactivation of the front and rear lights after locking and automatic activation of the lights when unlocking. Also includes windscreen sunband



19" x 9J '5-arm Star' design alloy wheels



All-weather LED headlights



LED tail lights including LED dynamic rear indicators



Image shows S line models in optional Daytona grey, pearl effect paint (6Y) with optional 20" x 9J '10-Y-spoke' design alloy wheels (CE5) on the Coupé and 19" x 9J '5-spoke Blade' design wheels (C5H) on the Roadster

# TTS quattro model equipment

## In addition to Sport model equipment

### Wheels, tyres and suspension

19" x 9J '5-parallel-spoke Star' design alloy wheels  
245/35 R19 tyres

#### Audi magnetic ride with vehicle lowering:

- Audi magnetic ride continuously adapts the suspension damping in the Audi TTS models to the changing driving situation
- It does this automatically and in just a fraction of a second by means of an electronically controlled magnetic field
- The body is 10mm lower than the Audi TT suspension, creating an even sportier driving feel

### Audio and communication

**Audi Sound System.** Ensures perfectly balanced sound throughout the entire passenger compartment:

- 9 speakers in total including centre speaker and two bass speakers in the doors
- 5-channel amplifier with a total output of 155 Watts

**Audi Virtual Cockpit** with a TTS specific screen

### Exterior equipment

**All-weather LED headlights.** LED technology provides lower energy consumption and enhanced contrast with a colour similar to daylight, for increased safety and good recognition by other road users. Includes all-weather light function to reduce the risk of the driver being dazzled when visibility is poor (in fog, rain or snow). Also includes Headlight cleaning system

**LED tail lights** including LED dynamic rear indicators

#### 'S' design body styling comprising:

- Audi Single frame grille in platinum grey featuring horizontal double struts in aluminium-look as well as a TTS emblem
- TTS front bumper with accentuated side air inlets with horizontal aluminium-look slats and side sill trims
- TTS rear bumper incorporates a diffuser insert in Platinum grey with a surround in aluminium-look

**Brake calipers painted black with TTS logo**

**TTS badges on the front wings**

**Door sill trims with aluminium inlay and TTS logo**

### Interior equipment

**Auto-dimming rear-view mirror**

**Coloured interior elements** in quartz anthracite: on the side of seat, sides of the centre console and air vents

**Foot pedals in stainless steel**

**Inlays in matt brushed aluminium**

**Flat-bottomed TTS Sport 3-spoke contour leather multi-function steering wheel**, with more heavily contoured steering wheel rim and TTS badging

### Seats

**Super Sports seats** upholstered in Fine Nappa leather with S embossing

- Manual adjustment of the seat height, front and back position, seat angle and backrest angle
- Electric 4-way lumbar support

**Heated front seats**

**Leather package** – Armrests in the doors, door pull handles, trim on the centre console and instrument panel cover in black leather

### Safety and security

**Audi lane assist** – helps the driver stay in lane by gentle steering intervention, thereby providing enhanced safety and comfort, especially on motorways and country roads

**Light and rain sensors** – Automatically switches the dipped beam headlights and windscreen wipers on/off depending on the light and rain conditions. Includes coming home/leaving home function which delays the deactivation of the front and rear lights after locking and automatic activation of the lights when unlocking. Also includes windscreen sunband



19" X 9J '5-parallel-spoke Star' design alloy wheels



Brake calipers painted in black with TTS logo



TTS rear bumper incorporates a diffuser insert in Platinum grey with a surround in aluminium look



Image shows TTS models in Tango red, metallic paint (Y1) with optional 20" x 9J "10-Y-spoke" design alloy wheels (CE5) on the Coupé

## TT Coupé Sport

| Engines          | Power | Transmissions    | CO <sub>2</sub> g/km | Total RRP inc VAT | Recommended OTR |
|------------------|-------|------------------|----------------------|-------------------|-----------------|
| 2.0 TFSI         | 230PS | 6-speed manual   | 141                  | £29,085.00        | £29,915.00      |
| 2.0 TFSI         | 230PS | 6-speed S tronic | 150                  | £30,565.00        | £31,395.00      |
| 2.0 TFSI quattro | 230PS | 6-speed S tronic | 153                  | £31,995.00        | £32,860.00      |
| 2.0 TDI ultra    | 184PS | 6-speed manual   | 116                  | £29,125.00        | £29,810.00      |

## TT Coupé S line

| Engines          | Power | Transmissions    | CO <sub>2</sub> g/km | Total RRP inc VAT | Recommended OTR |
|------------------|-------|------------------|----------------------|-------------------|-----------------|
| 2.0 TFSI         | 230PS | 6-speed manual   | 141                  | £31,635.00        | £32,465.00      |
| 2.0 TFSI         | 230PS | 6-speed S tronic | 150                  | £33,115.00        | £33,945.00      |
| 2.0 TFSI quattro | 230PS | 6-speed S tronic | 153                  | £34,545.00        | £35,410.00      |
| 2.0 TDI ultra    | 184PS | 6-speed manual   | 116                  | £31,675.00        | £32,360.00      |

## TTS Coupé

| Engines     | Power | Transmissions    | CO <sub>2</sub> g/km | Total RRP inc VAT | Recommended OTR |
|-------------|-------|------------------|----------------------|-------------------|-----------------|
| TTS quattro | 310PS | 6-speed manual   | 168                  | £37,965.00        | £38,945.00      |
| TTS quattro | 310PS | 6-speed S tronic | 159                  | £39,445.00        | £40,310.00      |

## TT Roadster Sport

| Engines          | Power | Transmissions    | CO <sub>2</sub> g/km | Total RRP inc VAT | Recommended OTR |
|------------------|-------|------------------|----------------------|-------------------|-----------------|
| 2.0 TFSI         | 230PS | 6-speed manual   | 144                  | £31,270.00        | £32,100.00      |
| 2.0 TFSI         | 230PS | 6-speed S tronic | 155                  | £32,750.00        | £33,615.00      |
| 2.0 TFSI quattro | 230PS | 6-speed S tronic | 158                  | £34,180.00        | £35,045.00      |
| 2.0 TDI ultra    | 184PS | 6-speed manual   | 120                  | £31,310.00        | £31,995.00      |

## TT Roadster S line

| Engines          | Power | Transmissions    | CO <sub>2</sub> g/km | Total RRP inc VAT | Recommended OTR |
|------------------|-------|------------------|----------------------|-------------------|-----------------|
| 2.0 TFSI         | 230PS | 6-speed manual   | 144                  | £33,820.00        | £34,650.00      |
| 2.0 TFSI         | 230PS | 6-speed S tronic | 155                  | £35,300.00        | £36,165.00      |
| 2.0 TFSI quattro | 230PS | 6-speed S tronic | 158                  | £36,730.00        | £37,595.00      |
| 2.0 TDI ultra    | 184PS | 6-speed manual   | 120                  | £33,860.00        | £34,545.00      |

## TTS Roadster

| Engines     | Power | Transmissions    | CO <sub>2</sub> g/km | Total RRP inc VAT | Recommended OTR |
|-------------|-------|------------------|----------------------|-------------------|-----------------|
| TTS quattro | 310PS | 6-speed manual   | 173                  | £40,150.00        | £41,130.00      |
| TTS quattro | 310PS | 6-speed S tronic | 163                  | £41,630.00        | £42,495.00      |

**Please note:** The maximum power output figures are quoted in PS (or Pferdestärke, which is the metric equivalent of brake horsepower). To convert to brake horsepower, divide the PS figure by 1.0139.

**Recommended On-The-Road (OTR) retail prices include:** delivery charge, half a tank of fuel, number plates at £630.00 (inc. VAT), Road Fund Licence (which may vary depending on model/transmission – see page 93 for details) and first registration fee at £55.00. Vehicle Excise Duty correct at time of going to print, but this may alter to reflect any change in the applicable VED rate.

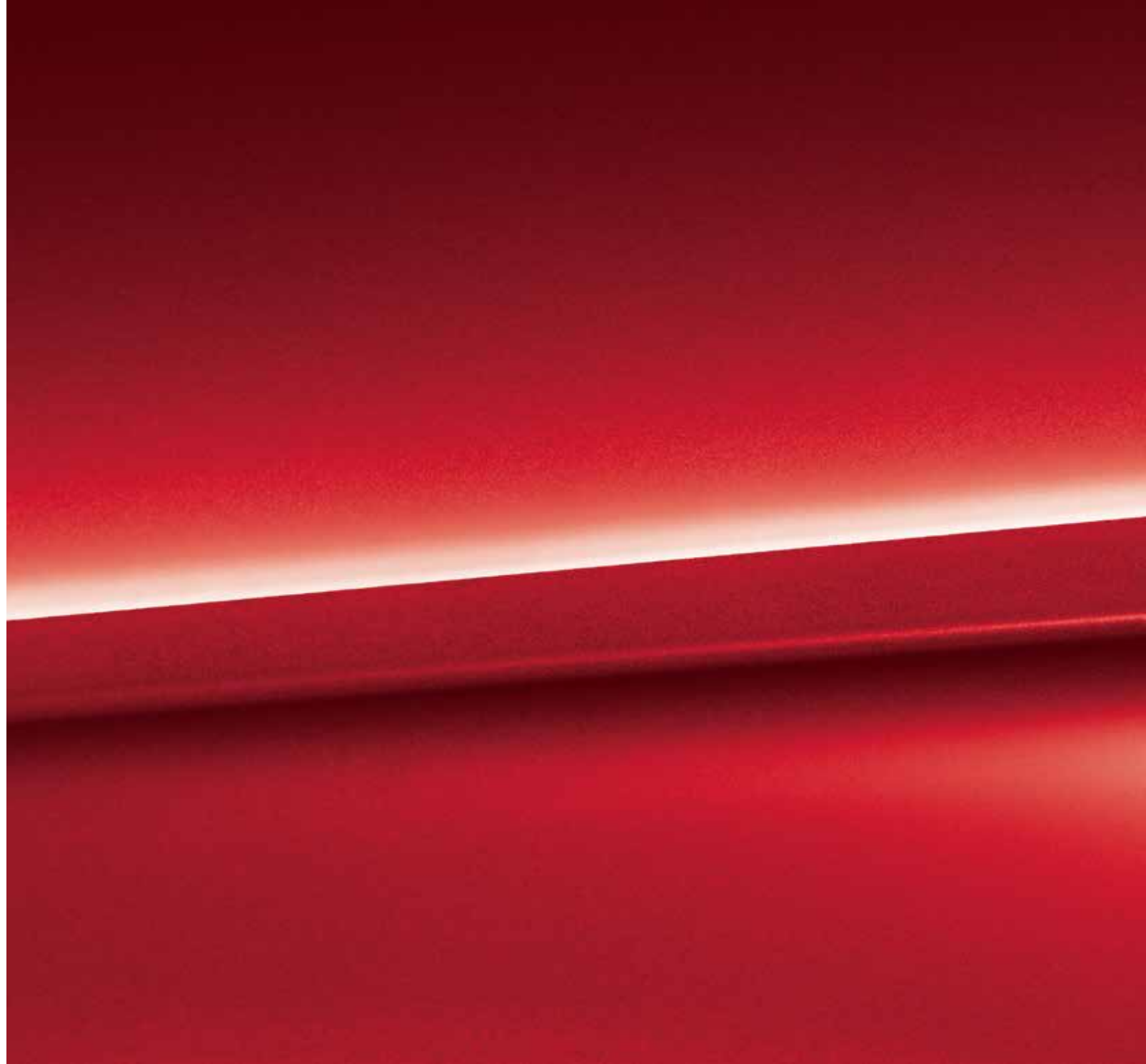
RRP – Recommended Retail Price. VAT is calculated at 20% but this may alter to reflect any change in the applicable VAT rate.

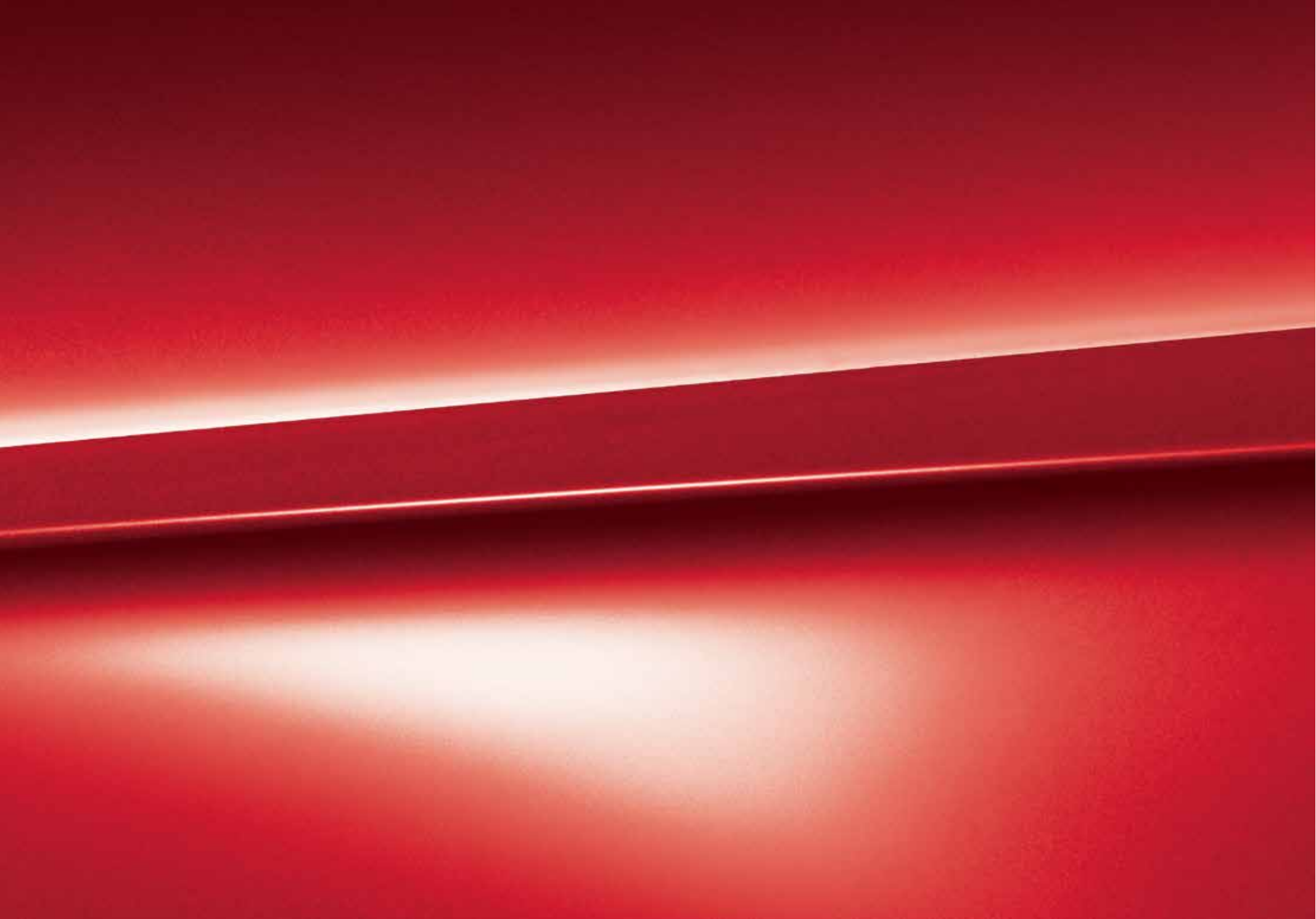




# Paint

We believe that every part of your car should have a personal touch. Which is why you can choose from a wide range of paint colours and finishes, from standard shades to metallic and pearl effects. We can even mix a customised colour for you to create the perfect fit.





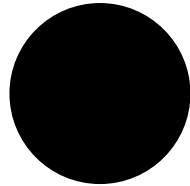
# Paint

You can select one of the standard colours shown opposite or, for a different look, choose from the range of metallic or pearl-effect finishes.

## Standard colours

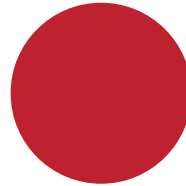


Ibis white - T9

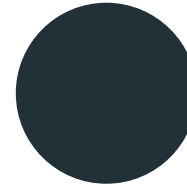


Brilliant black - A2

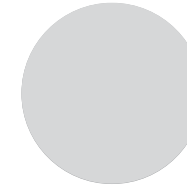
## Optional colours



Tango red, metallic - Y1

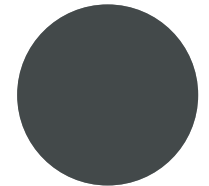


Nano grey, metallic - G3

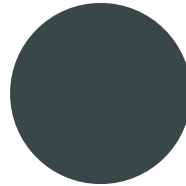


Floret silver, metallic - L5

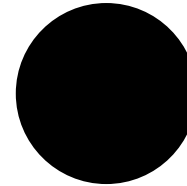
## S line and TTS colour



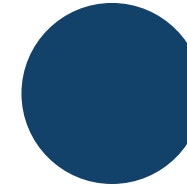
Daytona grey, pearl effect - 6Y



Monsoon grey, metallic - 0C



Mythos black, metallic - 0E



Scuba blue, metallic - S9\*



Glacier white, metallic - 2Y

Options are subject to availability and may extend delivery.

All the colour swatches on this page are matched as accurately as possible to the actual paint colours used. However, due to print processes, Audi UK cannot guarantee that colours shown are 100% accurate.

\*Not available on TTS.

Visit your local Audi Centre for a more accurate colour swatch.

RRP - Recommended Retail Price.

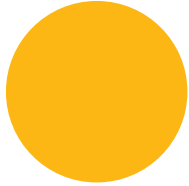
VAT is calculated at 20% but this may alter to reflect any change in the applicable VAT rate.

### Optional colours

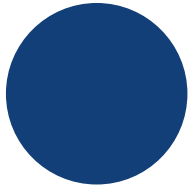
Total RRP inc VAT

£550.00

## TTS colours



Vegas yellow - L1



Sepang blue, pearl effect - E9

# Paint

## Audi exclusive

Everyone has a favourite colour. No matter what yours is, Audi exclusive provides a range of unique colours that have been designed to set your car apart. Choose from the swatches here, or specify any other paint colour in the Audi range.\*

## Customised

If you have a particular colour in mind, we'll mix the exact metallic or pearl-effect shade you want.\*\*

\*Audi exclusive paint is subject to factory approval. Visit your local Audi Centre for colour samples.

\*\*Customised paint is subject to factory approval, and is available for metallic and pearl-effect water-based paints only. Three-colour process colours and two-tone schemes are not available.

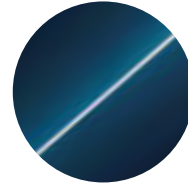
TTS Coupé and TT/TTS Roadster exclusive paint will be available at a later date.

All the colour swatches on this page are matched as accurately as possible to the actual paint colours used. However, due to print processes, Audi UK cannot guarantee that colours shown are 100% accurate.

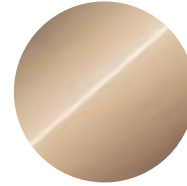
Visit your local Audi Centre for a more accurate colour swatch.

RRP - Recommended Retail Price.

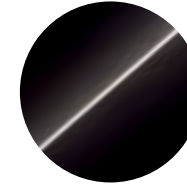
VAT is calculated at 20% but this may alter to reflect any change in the applicable VAT rate.



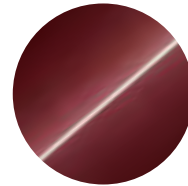
Palace blue, pearl effect



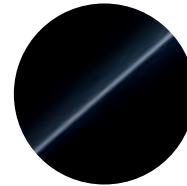
Sand beige, pearl effect



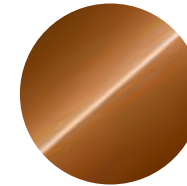
Saddle brown, pearl effect



Classic red, pearl effect



Mamba black, metallic



Ipanema brown, metallic



Any colour in the Audi range or 100 exclusive colours to choose from\*

### Audi exclusive\*

Total RRP inc VAT  
£2,025.00



Customised paint\*\*

### Customised\*\*

Total RRP inc VAT  
£2,525.00

# Hood colours

The fully-automatic acoustic hood is available in the colours opposite, so you can complement your car's exterior and interior.

| Order Code |                            | Black (PA) | Grey (SW) <sup>†</sup> | Beige (PD) <sup>†</sup> |
|------------|----------------------------|------------|------------------------|-------------------------|
| T9         | Ibis white                 | ●          | ●                      | ●                       |
| A2         | Brilliant black            | ●          | ●                      | ●                       |
| Y1         | Tango red, metallic        | ●          | ●                      | —                       |
| G3         | Nano grey, metallic        | ●          | —                      | ●                       |
| L5         | Floret silver, metallic    | ●          | ●                      | ●                       |
| 0C         | Monsoon grey, metallic     | ●          | ●                      | ●                       |
| 0E         | Mythos black, metallic     | ●          | ●                      | ●                       |
| S9         | Scuba blue, metallic*      | ●          | ●                      | —                       |
| 2Y         | Glacier white, metallic    | ●          | ●                      | ●                       |
| 6Y         | Daytona grey, pearl effect | ●          | ●                      | ●                       |
| E9         | Sepang blue, pearl effect  | ●          | ●                      | —                       |
| L1         | Vegas yellow               | ●          | ●                      | —                       |

Options are subject to availability and may extend delivery.

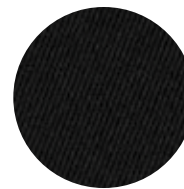
— = Not available  
 ● = Available  
 S = Standard

\*Not available on TTS.

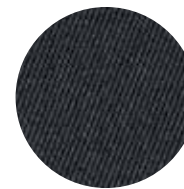
<sup>†</sup>These colours will be available later in the year, please check with your local Audi Centre for more details.

RRP – Recommended Retail Price.

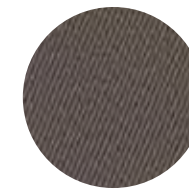
VAT is calculated at 20% but this may alter to reflect any change in the applicable VAT rate.



Black – PA



Grey – SW<sup>†</sup>



Beige – PD<sup>†</sup>



## Upholstery

Give your seats the look and feel you want with a choice of Alcantara or Fine Nappa leather upholstery in black. Upgrade to Super Sports seats and you'll also be able to choose from a selection of colours designed to complement your interior. Whichever you decide on, you'll have a car that's as exhilarating to look at as it is to drive.









# Upholstery

## TT Sport models with Sports seats

Choose your favourite upholstery from the swatches shown opposite to give your car's interior the look and feel you want.

|                   |   |  | Sport | S line | TTS quattro | Total RRP inc VAT |
|-------------------|---|--|-------|--------|-------------|-------------------|
| Alcantara/leather |  <p>Black - JN/MI*</p> | <p><b>Sports seats in Alcantara/leather.</b> Seat centre sections and door trim inserts in Alcantara. Head restraints, seat side bolsters and front centre armrest (if ordered) in leather</p> | S     | —      | —           | No charge         |

## TT S line models with Sports seats

|                   |   |  |   |   |   |           |
|-------------------|---|--|---|---|---|-----------|
| Alcantara/leather |  <p>Black - EI</p> | <p><b>Sports seats in Alcantara/leather with 'S' embossing on the front seats.</b> Seat centre sections and door trim inserts in Alcantara. Head restraints, seat side bolsters and front centre armrest (if ordered) in leather</p> | — | S | — | No charge |
|-------------------|---|--|---|---|---|-----------|

Options are subject to availability and may extend delivery.

— = Not available  
 ● = Available  
 S = Standard

\*Coupé only.

RRP – Recommended Retail Price.

VAT is calculated at 20% but this may alter to reflect any change in the applicable VAT rate.

# Upholstery

## Sports seats

Options are subject to availability and may extend delivery.

- = Not available
- = Available
- S = Standard

RRP - Recommended Retail Price.

VAT is calculated at 20% but this may alter to reflect any change in the applicable VAT rate.



Sports seat in Alcantara/leather for Sport model

# Upholstery

## TT Sport models with Super Sports seats

Super Sports seats include integrated head restraints, pronounced side bolsters for improved lateral support when cornering, manual seat adjustment with extendable thigh support and electric lumbar support.

## TT S line models with Super Sports seats


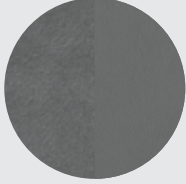







Options are subject to availability and may extend delivery.

- = Not available
- = Available
- S = Standard

\*Coupé only.

RRP – Recommended Retail Price.

VAT is calculated at 20% but this may alter to reflect any change in the applicable VAT rate.

|                    |   |  |   | Sport   | S line | TTS quattro | Total RRP inc VAT |           |
|--------------------|---|--|---|---|--------|-------------|-------------------|-----------|
| Alcantara/leather  |    |    | <p><b>Super Sports seats in Alcantara/leather.</b> Seat centre sections in Alcantara with diamond quilting. Door trim inserts in Alcantara. Head restraints, seat side bolsters and front centre armrest (if ordered) in leather</p>  | •   | –      | –           | £695.00           |           |
|                    | Black – JN/MI*  | Rock grey – NJ/NI*   |   |   |        |             |                   |           |
| Fine Nappa leather |    |    |    | <p><b>Super Sports seats in Fine Nappa leather.</b> Seat centre sections in Fine Nappa leather with diamond quilting. Door trim inserts, head restraints, seat side bolsters and front centre armrest (if ordered) in Fine Nappa leather. Rear seats partly in artificial leather</p> | •      | –           | –                 | £1,390.00 |
|                    | Black – JN/MI*  | Rock grey – NJ/NI*   | Palomino brown – OD   |   |        |             |                   |           |
|                    |   |  |   |   |        |             |                   |           |
| Alcantara/leather  |    |    | <p><b>Super Sports seats in Alcantara/leather with 'S' embossing.</b> Seat centre sections in Alcantara with diamond quilting. Door trim inserts in Alcantara. Head restraints, seat side bolsters and front centre armrest (if ordered) in leather</p>   | –   | •      | –           | £450.00           |           |
|                    | Black with Rock grey stitching – EI   | Rotor grey with Anthracite stitching – OQ  |   |   |        |             |                   |           |
| Fine Nappa leather |  |  | <p><b>Super Sports seats in Fine Nappa leather with 'S' embossing on the front seats.</b> Seat centre sections in Fine Nappa leather with diamond quilting. Door trim inserts, head restraints, seat side bolsters and front centre armrest (if ordered) in Fine Nappa leather. Rear seats partly in artificial leather</p> | –   | •      | –           | £1,145.00         |           |
|                    | Black – EI  | Rotor grey – OQ  |   |   |        |             |                   |           |

# Upholstery

## Super Sports seats

Options are subject to availability and may extend delivery.

- = Not available  
• = Available  
S = Standard

\*Image shown also includes optional electric front seats and interior elements in Quartz lacquer silver, both of which are available at additional cost.

RRP - Recommended Retail Price.






VAT is calculated at 20% but this may alter to reflect any change in the applicable VAT rate.



Super Sports seat in Fine Nappa leather with black upholstery\*

# Upholstery

TTS models with Super Sports seats

|                       |   |  |   | Sport   | S line | TTS quattro | Total RRP inc VAT |           |
|-----------------------|---|--|---|---|--------|-------------|-------------------|-----------|
| Alcantara/<br>Leather |  |  | <p><b>Super Sports seats in Alcantara/leather</b> with 'S' embossing. Seat centre sections in Alcantara with diamond quilting. Door trim inserts in Alcantara. Head restraints, seat side bolsters and front centre armrest (if ordered) in leather</p> | -   | -      | •           | No charge         |           |
|                       | Black - XG  | Rotor grey - OB  |   |   |        |             |                   |           |
| Fine Nappa<br>leather |  |  |    | <p><b>Super Sports seats in Fine Nappa leather.</b> Seat centre sections in Fine Nappa leather with diamond quilting. Door trim inserts, head restraints, seat side bolsters and front centre armrest (if ordered) in Fine Nappa leather. Rear seats partly in artificial leather</p> | -      | -           | S                 | No charge |
|                       | Black - XG  | Rotor grey - OB  | Express red - OH  |   |        |             |                   |           |
|                       |   |  |   |   |        |             |                   |           |

Options are subject to availability and may extend delivery.

- = Not available
- = Available
- S = Standard

RRP - Recommended Retail Price.

VAT is calculated at 20% but this may alter to reflect any change in the applicable VAT rate.



# Colour and trim guide

## Interior trim colours

### Sport models with Sports seats

| Order Code | Upholstery | Carpet | Dashboard (upper/lower) | Headlining | Alcantara/leather (N7U) |
|------------|------------|--------|-------------------------|------------|-------------------------|
| <b>JN</b>  | Black      | Black  | Black/Black             | Black      | ●                       |
| <b>MI*</b> | Black      | Black  | Black/Black             | Rock grey  | ●                       |

### S line models with Sports seats

| Order Code | Upholstery | Carpet | Dashboard (upper/lower) | Headlining | Alcantara/leather (N7K) |
|------------|------------|--------|-------------------------|------------|-------------------------|
| <b>EI</b>  | Black      | Black  | Black/Black             | Black      | ●                       |

### Sport models with Super Sports seats

| Order Code | Upholstery     | Carpet | Dashboard (upper/lower) | Headlining | Alcantara/leather (N7U/PS6) | Fine Nappa leather (N3Q/PS6) |
|------------|----------------|--------|-------------------------|------------|-----------------------------|------------------------------|
| <b>JN</b>  | Black          | Black  | Black/Black             | Black      | ●                           | ●                            |
| <b>MI*</b> | Black          | Black  | Black/Black             | Rock grey  | ●                           | ●                            |
| <b>NJ</b>  | Rock grey      | Black  | Black/Black             | Black      | ●                           | ●                            |
| <b>NI*</b> | Rock grey      | Black  | Black/Black             | Rock grey  | ●                           | ●                            |
| <b>OD</b>  | Palomino brown | Black  | Black/Black             | Black      | —                           | ●                            |

### S line models with Super Sports seats

| Order Code | Upholstery                           | Carpet | Dashboard (upper/lower) | Headlining | Alcantara/leather (N7K/PS6) | Fine Nappa leather (N2R/PS6) |
|------------|--------------------------------------|--------|-------------------------|------------|-----------------------------|------------------------------|
| <b>EI</b>  | Black with Rock grey stitching       | Black  | Black/Black             | Black      | ●                           | ●                            |
| <b>OQ</b>  | Rotor grey with Anthracite stitching | Black  | Black/Black             | Black      | ●                           | ●                            |

Options are subject to availability and may extend delivery.

— = Not available  
 ● = Available  
 S = Standard

\*Coupé only.



# Colour and trim guide

## Interior trim colours

TTS models with Sports seats

| Order Code | Upholstery  | Carpet | Dashboard (upper/lower) | Headlining | Alcantara/Leather (NK7) | Fine Nappa leather (N2R) |
|------------|-------------|--------|-------------------------|------------|-------------------------|--------------------------|
| XG         | Black       | Black  | Black/Black             | Black      | ●                       | ●                        |
| OB         | Rotor grey  | Black  | Black/Black             | Black      | ●                       | ●                        |
| OH         | Express red | Black  | Black/Black             | Black      | —                       | ●                        |

## Seat options

| Order Code |   | Sport | S line | TTS quattro | Total RRP inc VAT |
|------------|---|-------|--------|-------------|-------------------|
| 7P1        | <b>Electric lumbar support.</b> For front seats with horizontal and vertical adjustment   | ●     | S      | S           | £245.00           |
| 4A3        | <b>Heated front seats.</b> Individually controlled variable temperature adjustment for driver and front passenger seats   | ●     | ●      | S           | £325.00           |
| 3PK        | <b>Electric front seats.</b> Includes adjustment for height, forwards and backwards position and backrest angle and pneumatic adjustment of backrest side bolsters as well as pneumatic lumbar support. Only in combination with Super Sports seats (PS6) | ●     | ●      | ●           | £995.00           |

## Extended leather packs

| Order Code |   | Sport | S line | TTS quattro | Total RRP inc VAT |
|------------|---|-------|--------|-------------|-------------------|
| 7HB        | <b>Leather package.</b> Armrests in the doors, door pull handles and trim on the centre console in black leather  | ●     | ●      | —           | £395.00           |
| 7HC        | <b>Extended leather package in black leather.</b> Armrests in the doors, door pull handles, trim on the centre console and instrument panel cover in black leather  | ●     | ●      | —           | £595.00           |
|            |   | —     | —      | S           | No charge         |
| 7HD        | <b>Extended leather package in colour coordinated leather.</b> Armrests in the doors, door pull handles, trim on the centre console and instrument panel cover colour coordinated to the respective interior colour with steering wheel collapsible collar trim in black leather. Only available with Super Sports seats (PS6). Not available with Black upholstery | ●     | ●      | —           | £695.00           |
|            |   | —     | —      | ●           | £100.00           |

# Upholstery

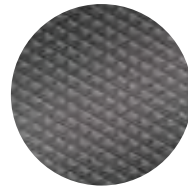
## Audi design selection

The Audi design selection includes some of our most striking design features, all of which have been selected by our experts. And because this package is exclusively available with the TT Coupé and TTS Coupé, it promises to give your car a look that's as unique as it is sophisticated.

| Order Code   | Sport | S line | TTS quattro | Total RRP inc VAT |
|--|-------|--------|-------------|-------------------|
| <b>Audi design selection package in Murillo brown*</b> – only available for TT Coupé and TTS Coupé<br>Includes the following equipment items<br>- Front Super Sports seats<br>- Seat centre panel, seat side bolster and head restraints in Murillo brown Fine Nappa leather   | ●     | –      | –           | £2,995.00         |
| <b>PEP</b><br>- Door and side panel trim inserts in Murillo brown Fine Nappa leather<br>- Centre armrest in Murillo brown leather, with contrasting stitching in steel grey<br>- Armrests in the doors and door pull handles, centre console trim and instrument panel cover in stone grey leather, with contrasting stitching in murillo brown<br>- Aluminium drift anthracite inlays<br>- Floor mats in black-Murillo brown with piping in black | –     | –      | ●           | £1,095.00         |



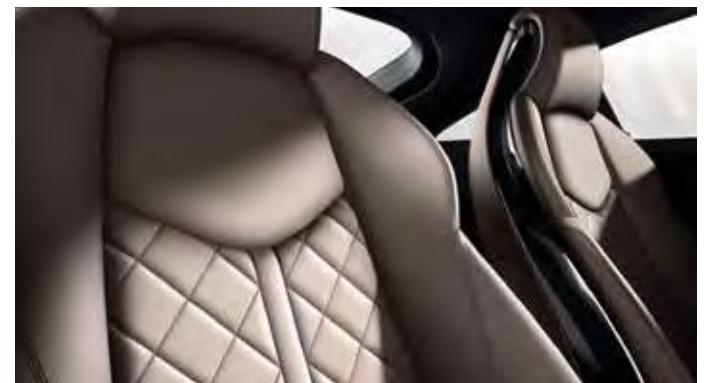
Fine Nappa leather, Murillo brown with Steel grey stitching – OE



Aluminium drift anthracite inlays



Inlays in Aluminium drift anthracite



Front Super Sports seats in Murillo brown with Steel grey stitching

Options are subject to availability and may extend delivery.

– = Not available  
● = Available  
S = Standard

\*Extended lead time may apply to design selection packages.

RRP – Recommended Retail Price.

VAT is calculated at 20% but this may alter to reflect any change in the applicable VAT rate.



Audi design selection package in Murillo brown

## Interior styling

Our interior elements packages enhance your Super Sports seats with your chosen finish on the seat sides, as well as bringing a distinctive look to the centre console and air vents. Combined with inlays for a unique finishing touch, they ensure your Audi TT will be just as eye-catching on the inside as it is on the outside.

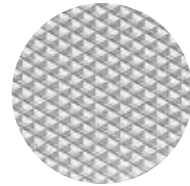




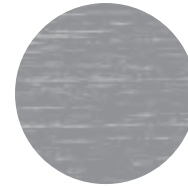
# Inlays

Inlays are the all-important finishing touch that add flair and interest to your car's interior.

| Order Code |                               | Sport | S line | TTS quattro | Total RRP inc VAT |
|------------|-------------------------------|-------|--------|-------------|-------------------|
| <b>5TH</b> | <b>Aluminium drift silver</b> | S     | -      | -           | No charge         |
| <b>5TG</b> | <b>Matt-brushed aluminium</b> | -     | S      | S           | No charge         |



Aluminium drift silver – **5TH**



Matt-brushed aluminium – **5TG**

Options are subject to availability and may extend delivery.

- = Not available
- = Available
- S = Standard

RRP – Recommended Retail Price.

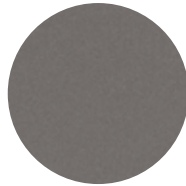
VAT is calculated at 20% but this may alter to reflect any change in the applicable VAT rate.



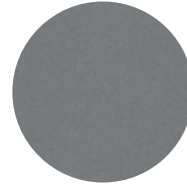
# Interior elements

Further personalise your TT's interior with our Interior elements options for the optional Super Sports seats. They add your chosen finish on the seat sides, the edges of the centre console and air vents.

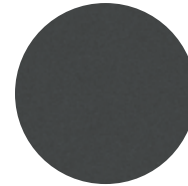
| Order Code |  | Sport | S line | TTS quattro | Total RRP inc VAT |
|------------|--|-------|--------|-------------|-------------------|
| <b>OUF</b> | <b>Interior elements in Fine lacquer bronze*</b>     | ●     | —      | —           | £250.00           |
| <b>OUL</b> | <b>Interior elements in Fine lacquer metal grey*</b> | ●     | —      | —           | £250.00           |
| <b>OJ</b>  | <b>Interior elements in Fine lacquer anthracite*</b> | —     | ●      | S           | £250.00           |
| <b>OJK</b> | <b>Interior elements in Fine lacquer silver*</b>     | —     | ●      | ●           | £250.00           |



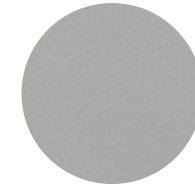
Interior elements in Fine lacquer bronze – **OJ\***



Interior elements in Fine lacquer metal grey – **OJK\***



Interior elements in Fine lacquer anthracite – **OJ\***



Interior elements in Fine lacquer silver – **OJK\***

Options are subject to availability and may extend delivery.

- = Not available
- = Available
- S = Standard

\* Only in combination with Super Sports seats.

RRP – Recommended Retail Price.

VAT is calculated at 20% but this may alter to reflect any change in the applicable VAT rate.





## Options

Every driver has different needs, which is why we have created some useful options to further enhance your car. For extra comfort, support, style or function, you can choose from a variety of additional features, tailoring everything from your infotainment and audio equipment to your wheels and lighting.





## Wheels, tyres and suspension

Choose a set of specially selected alloy wheels to subtly enhance the way your car looks.



18" x 8.5J '10-spoke'  
design alloy wheels - CV8



18" x 8.5J '20-spoke-V'  
design alloy wheels - C3A



18" x 8.5J '5-twin-spoke Dynamic'  
design alloy wheels - C3G



18" x 8.5J '10-V-spoke'  
design alloy wheels - C6C



19" x 9J '5-Arm Star'  
design alloy wheels - CJ3



19" x 9J '5-parallel-spoke Star'  
design alloy wheels - CV9



19" x 9J '5-spoke Blade'  
design alloy wheels - C5H



19" x 9J '5-twin-spoke'  
design alloy wheels - C5K



20" x 9J '10-Y-spoke'  
design alloy wheels - CE5

# Wheels, tyres and suspension

| Order Code |  | Sport | S line | TTS quattro | Total RRP inc VAT |
|------------|--|-------|--------|-------------|-------------------|
| CV8        | 18" x 8.5J '10-spoke' design alloy wheels with 245/40 R18 tyres  | S     | —      | —           | No charge         |
| C3A        | 18" x 8.5J '20-spoke-V' design alloy wheels with 245/40 R18 tyres  | ●     | —      | —           | No charge         |
| C3G        | 18" x 8.5J '5-twin-spoke Dynamic' design alloy wheels with 245/40 R18 tyres  | ●     | —      | —           | £450.00           |
| C6C        | 18" x 8.5J '10-V-spoke' design alloy wheels with 245/40 R18 tyres  | —     | ●      | —           | No charge         |
| CJ3        | 19" x 9J '5-Arm Star' design alloy wheels with 245/35 R19 tyres  | —     | S      | —           | No charge         |
| CV9        | 19" x 9J '5-parallel-spoke Star' design alloy wheels with 245/35 R19 tyres   | —     | —      | S           | No charge         |
| C5H        | 19" x 9J '5-spoke Blade' design alloy wheels with 245/35 R19 tyres   | —     | ●      | ●           | £450.00           |
| C5K        | 19" x 9J '5-twin-spoke' design alloy wheels with 245/35 R19 tyres  | —     | ●      | ●           | £450.00           |
| CE5        | 20" x 9J '10-Y-spoke' design alloy wheels with 255/30 R20 tyres. Only available on TT Coupé and TTS Coupé  | —     | ●      | ●           | £850.00           |
| 1BV        | S line suspension lowered by 10mm  | —     | ●      | —           | No charge         |
| PC2        | Brake calipers painted in red with TTS logo  | —     | —      | ●           | £325.00           |
| 2MV        | Audi magnetic ride with vehicle lowered improve ride comfort and driving dynamics by regulating the damping forces based on the driving situation; adaptive damper system with 3 individual suspension settings (auto/comfort/dynamic) operated via Audi drive select, lowered by 10mm | ●     | ●      | S           | £1,095.00         |

Options are subject to availability and may extend delivery.

— = Not available  
● = Available  
S = Standard

RRP – Recommended Retail Price.

VAT is calculated at 20% but this may alter to reflect any change in the applicable VAT rate.

# Packages

Some items work well together, which is why we've created these special packages. They provide increased convenience and value by combining several of our most popular options.

| Order Code |   | Sport | S line | TTS quattro | Total RRP inc VAT |
|------------|---|-------|--------|-------------|-------------------|
| <b>WB4</b> | <p><b>Technology Package featuring Audi Connect.</b> Utilise the stunning graphics of the Audi Virtual Cockpit with 3D navigation and the addition of Audi Connect to offer internet access on the move. Includes:</p> <p><b>MMI Navigation Plus.</b> Highlights include: Navigation system integrated into the stunning 12.3" Audi Virtual Cockpit to offer 3D map display, map update service for the first five half-yearly navigation updates, 8 passive loudspeakers, total power of 100 Watts, Media jukebox with space for approximately 10GB and album cover display, DVD drive (MP3, WMA, AAC and MPEG-4-compatible) for music CDs and video DVDs, whole-word address input in one sentence using voice control system and MMI Search: Free text search with intelligent suggestions during input</p> <p><b>Audi Connect.</b> Convenient connection of your vehicle to the internet via an integrated data module with LTE/ UMTS connection. Highlights of Audi Connect services include navigation with Google Earth™ and Google Street View™, destination input via myAudi or Google Maps™, access to Twitter, WiFi hotspot, weather and news online and travel information</p> <p>Please see pages 30 and 97 for a full description of this option including functionality and compatibility details</p> <p><b>Important connectivity information.</b> An external data source is required to enable the Audi Connect Online Services. A separate SIM card can be inserted in the SIM card reader</p> | •     | •      | •           | £1,795.00         |

Options are subject to availability and may extend delivery.

- = Not available
- = Available
- S = Standard

RRP – Recommended Retail Price.

VAT is calculated at 20% but this may alter to reflect any change in the applicable VAT rate.



MMI Navigation Plus – Part of the Technology Package

# Packages

| Order Code |   | Sport | S line | TTS quattro | Total RRP inc VAT |
|------------|---|-------|--------|-------------|-------------------|
| WF5        | <p><b>Open-Top Driving Package.</b> The ultimate package for driving with the top down even in the winter (Roadster only). Includes:</p> <p><b>Head-level heating.</b> Air vents in the backrests of the front seats provide a warming flow of air at head level. Can be adjusted in 3 stages using the rotary control in the outer air vents</p> <p><b>Electrically operated wind deflector.</b> Reduces drafts in the interior. Electrically retracted and extended using a button in the centre console</p> <p><b>Heated seats.</b> Individually controlled variable temperature adjustment for driver and front passenger seats, controlled via integrated rotary knobs in the outer air vents</p> <p><b>Super Sports seats.</b> Include integrated head restraints, pronounced side bolsters for improved lateral support when cornering, manual seat adjustment with extendable thigh support and electric lumbar support</p> | ●     | ●      | —           | £1,695.00         |
|            | In combination with Super Sports seats in Fine Nappa leather  | ●     | ●      | ●           | £1,000.00         |



# Packages

| Order Code         |  | Sport | S line | TTS quattro | Total RRP inc VAT |
|--------------------|--|-------|--------|-------------|-------------------|
|                    | <p><b>Comfort and Sound package.</b> Combines the ultimate in sound quality together with everyday comfort items. Includes:</p> <p><b>Bang &amp; Olufsen Sound System.</b> Features 12 high-performance speakers and a 14-channel amplifier with a total power of 680 Watts. The system is equipped with VNC (Vehicle Noise Compensation), which, through the on-board microphone detects the sound reproduced and compensates for external and internal noise. 5.1 surround sound is possible when combined with Technology Package (WB4)</p>   | ●     | ●      | —           | £1,590.00         |
| <b>WB3<br/>9VS</b> | <p><b>Deluxe automatic air conditioning with integrated digital displays.</b> Features digital integrated displays directly in the air vents and electronically regulates the air temperature, air flow rate and air distribution. Automatic recirculation mode by means of air quality sensor, combined filter, and humidity regulation for more efficient climate control</p> <p><b>Audi parking system, rear.</b> Makes reverse parking easier by indicating acoustically how far away the vehicle is from an object detected behind it. Measurement is by ultrasonic sensors integrated discreetly in the bumper</p> <p><b>Front centre armrest</b> with angle and lengthways adjustment. Also includes an additional fold-out cupholder</p> | —     | —      | ●           | £1,320.00         |

Options are subject to availability and may extend delivery.

- = Not available
- = Available
- S = Standard

RRP – Recommended Retail Price.

VAT is calculated at 20% but this may alter to reflect any change in the applicable VAT rate.



Electronic climate control – part of the Comfort and Sound package



Bang & Olufsen Sound System – part of the Comfort and Sound package





Image shown also features aluminium foot rest. On UK models this will be black

# Audio and communication

Stay in touch using our range of communication functions, and give each journey its own soundtrack with our advanced audio equipment.

| Order Code |   | Sport | S line | TTS quattro | Total RRP inc VAT |
|------------|---|-------|--------|-------------|-------------------|
| <b>9VD</b> | <b>Audi sound system.</b> Ensures perfectly balanced sound throughout the entire passenger compartment:<br>- 9 speakers in total including centre speaker and two bass speakers in the doors<br>- 5-channel amplifier with a total output of 155 Watts  | ●     | ●      | S           | £270.00           |
| <b>9ZE</b> | <b>Audi Phone Box.</b> Allows telephone calls to be made in the vehicle by placing the mobile phone in the centre console compartment that is designed for this purpose:<br>- Contains a hands-free system and voice control for the telephone functions<br>- Includes connection to the vehicle's aerial via integrated coupling, hence lower SAR radiation in the vehicle interior<br>- Charging option via USB connection<br>- Operation is via the MMI control unit, the multi-function steering wheel or voice command | ●     | ●      | ●           | £325.00           |
| <b>9VS</b> | <b>Bang &amp; Olufsen Sound System.</b> Features 12 high-performance speakers and a 14-channel amplifier with a total power of 680 Watts. The system is equipped with VNC (Vehicle Noise Compensation), which, through the on-board microphone detects the sound reproduced and compensates for external and internal noise. 5.1 surround sound is possible when combined with Technology Package (WB4)   | ●     | ●      | ●           | £895.00           |

Options are subject to availability and may extend delivery.

- = Not available
- = Available
- S = Standard

RRP – Recommended Retail Price.

VAT is calculated at 20% but this may alter to reflect any change in the applicable VAT rate.

# Interior equipment

Specify every detail of your car's interior with this range of exclusive options.

Options are subject to availability and may extend delivery.

- = Not available  
• = Available  
S = Standard

RRP – Recommended Retail Price.

VAT is calculated at 20% but this may alter to reflect any change in the applicable VAT rate.

| Order Code |   | Sport | S line | TTS quattro | Total RRP inc VAT |
|------------|---|-------|--------|-------------|-------------------|
| 9AK        | <b>Deluxe automatic air conditioning with integrated digital displays.</b> Features digital integrated displays directly in the air vents and electronically regulates the air temperature, air flow rate and air distribution. Automatic recirculation mode by means of air quality sensor, combined filter, and humidity regulation for more efficient climate control  | •     | •      | •           | £495.00           |
| 7S1        | <b>Wind deflector</b> with electric retraction and extension, reduces the draughts in the interior and thus ensures greater driving comfort (Roadster only)   | •     | •      | •           | £425.00           |
| 6E3        | <b>Front centre armrest</b>   | •     | •      | •           | £175.00           |
| QE1        | <b>Storage and luggage package</b> provides additional space for storage, including:<br>- Storage nets on the backs of the front seat back rests<br>- Storage net in the front passenger footwell<br>- Storage under the front seats containing 2 safety vests<br>- A 12V socket and additional LED lighting in the luggage compartment   | •     | •      | •           | £175.00           |
| PU7        | <b>Auto-dimming rear-view mirror with Light and rain sensor package.</b> Includes:<br>- A light sensor which detects when the headlights behind are too bright and dims the rear-view mirror automatically<br>- Automatically switches the dipped beam headlights and windscreen wipers on/off depending on the light and rain conditions<br>- Coming home/leaving home function which delays the deactivation of the front and rear lights after locking and automatic activation of the lights when unlocking | •     | -      | -           | £265.00           |
| QQ1        | <b>LED interior lighting package</b> , in addition to the standard interior lighting:<br>- Anti-glare lighting for the passenger compartment comprising door sill and footwell lighting at the front<br>- Illuminated inside door openers<br>- Active door reflectors   | •     | •      | S           | £270.00           |
| PG3        | <b>Advanced key.</b> Access and authorisation system which automatically exchanges data between key and vehicle, allowing the driver to keep the key in their pocket or bag at all times. To unlock and open, simply lift the exterior door handle. To lock, press the button on the handle   | •     | •      | •           | £455.00           |
| 9JD        | <b>Smoking package</b> with cigarette lighter and 12V socket in the centre console  | •     | •      | •           | £30.00            |



Wind deflector



Front centre armrest



Light and rain sensor

# Exterior equipment

Make sure your car looks exactly as you want it to by selecting some of our striking options.

Options are subject to availability and may extend delivery.

- = Not available
- = Available
- S = Standard

RRP – Recommended Retail Price.

VAT is calculated at 20% but this may alter to reflect any change in the applicable VAT rate.

| Order Code     |   | Sport | S line | TTS quattro | Total RRP inc VAT |
|----------------|---|-------|--------|-------------|-------------------|
| <b>PX2 PU7</b> | <b>LED headlights.</b> All-weather LED headlights for all front lighting functions. LED technology provides lower energy consumption and enhanced contrast with a colour similar to daylight, for increased safety and good recognition by other road users. Includes all-weather light function to reduce the risk of the driver being dazzled when visibility is poor (in fog, rain or snow). Also includes the Light and rain sensor package (PU7) and LED tail lights with dynamic flashing rear indicators and headlight cleaning system (8X1)   | •     | S      | S           | £1,695.00         |
| <b>8G1</b>     | <b>High-beam assist.</b> Working within system limits, automatically detects the headlights of oncoming traffic, the rear lights of other road users and built-up areas and, depending on the traffic situation, the high beam is automatically switched on or off. Only in combination with Auto-dimming rear-view mirror with Light and rain sensor package (PU7)   | •     | •      | •           | £160.00           |
| <b>PXC PU7</b> | <b>Audi Matrix LED headlights.</b> Audi Matrix technology provides maximum and precise illumination at all times without dazzling other road users whilst minimising energy usage. The Matrix LED units each incorporate 12 separate controllable LEDs which form the high beam and can be individually shut off when sensors detect traffic ahead or approaching, to 'divert' the beam around other road users without diminishing its effectiveness. The vehicle uses information from a camera to detect other road users and identify the appropriate lighting required. Also includes:<br>- Dynamic front and rear indicators which sweep from inside to out<br>- Headlight cleaning system (8X1)<br>- Light and rain sensors with auto-dimming rear view mirror (PU7) | •     | -      | -           | £2,375.00         |
| <b>VW1</b>     | <b>Privacy glass.</b> Dark tinted rear and rear-side windows from B-pillar backwards. Coupé only  | •     | •      | •           | £450.00           |
| <b>6XE</b>     | <b>Door mirrors –</b> Electrically adjustable, folding and heated. Also includes an automatic kerb view dipping function on the passenger side when reverse gear is selected  | •     | •      | •           | £215.00           |
| <b>6XK</b>     | <b>Door mirrors –</b> Auto-dimming on the driver's side, electrically adjustable, folding and heated. Also includes an automatic kerb view dipping function on the passenger side when reverse gear is selected. Only in combination with Auto-dimming rear-view mirror (PU7)   | •     | •      | •           | £280.00           |
| <b>2Z0</b>     | <b>Deletion of model and technology designation</b>   | •     | •      | •           | No charge         |





# Safety and security

Intelligent technology designed to give you better all-round awareness and safety on the road.

The drivers assistance systems featured on these pages work only within system limits. They assist the driver with driving tasks. However, the driver remains responsible for driving the vehicle and is required to be attentive.

Options are subject to availability and may extend delivery.

- = Not available  
• = Available  
S = Standard

RRP – Recommended Retail Price.

VAT is calculated at 20% but this may alter to reflect any change in the applicable VAT rate.

| Order Code |  | Sport | S line | TTS quattro | Total RRP inc VAT |
|------------|--|-------|--------|-------------|-------------------|
| UH2        | <b>Hold assist</b>   | •     | •      | •           | £90.00            |
| 7X1        | <b>Audi parking system, rear</b> (also available as part of the Comfort and Sound package). The system warns the driver about obstacles with a warning tone which gets progressively faster as the vehicle moves closer to the obstacle  | •     | •      | •           | £430.00           |
| 7X2        | <b>Audi parking system plus, front and rear with selective display.</b> In addition to Audi parking system rear, also includes:<br>- Selectable sensors and detection systems for the front of the vehicle<br>- A visual display in the Audi Virtual Cockpit which shows the parking situation around the vehicle, displaying white distance markers for obstacles that would not be touched and red symbols for obstacles that may be touched | •     | •      | •           | £840.00           |
|            | In combination with Comfort and Sound package  | •     | •      | •           | £410.00           |
| 7X5        | <b>Audi parking system plus, with park assist.</b> In addition to parking system plus front and rear with selected display:<br>- Ultrasonic sensors are used to search for parking spaces by the roadside and the system calculates the ideal parking path for reverse and parallel parking spaces<br>- The steering action is performed almost automatically  | •     | •      | •           | £1,070.00         |
|            | - Assisted parking is now even possible in smaller parking spaces and bend areas, and the system will park the car in several moves if required<br>- Steering is done by the vehicle, while the driver only needs to accelerate and apply the brakes<br>- Additional sensors indicate obstacles detected all around and at the side of the vehicle, and warn the driver, making parking easier and safer by setting the correct steering angle | •     | •      | •           | £640.00           |
|            | In combination with Comfort and Sound package  | •     | •      | •           | £640.00           |
| KA2        | <b>Reversing Camera.</b> Gives a camera image of the area behind the vehicle shown in the Audi Virtual Cockpit, with dynamic display modes highlighting the calculated path (steer-angle dependent). Only in combination with Audi parking system plus (7X2 or 7X5)  | •     | •      | •           | £450.00           |



Audi parking system plus, with park assist



Audi parking system plus, with park assist



# Safety and security

Intelligent technology designed to give you better all-round awareness and safety on the road.

The drivers assistance systems featured on these pages work only within system limits. They assist the driver with driving tasks. However, the driver remains responsible for driving the vehicle and is required to be attentive.

Options are subject to availability and may extend delivery.

- = Not available
- = Available
- S = Standard

\*Where the law permits.

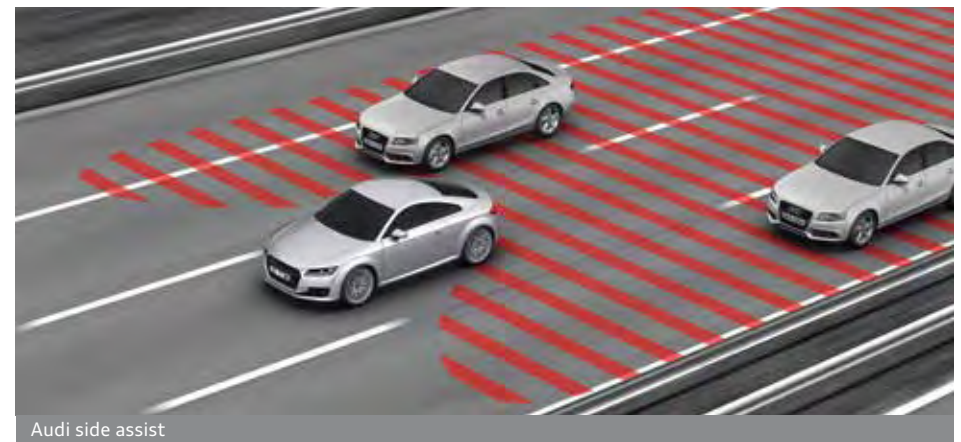
RRP – Recommended Retail Price.

VAT is calculated at 20% but this may alter to reflect any change in the applicable VAT rate.

| Order Code |   | Sport | S line | TTS quattro | Total RRP inc VAT |
|------------|---|-------|--------|-------------|-------------------|
| 8T6        | <b>Cruise control.</b> Maintains any speed above 18mph, provided that the engine power output and engine braking effect permit it. Operated via separate steering column stalk, with set speed displayed in the Audi Virtual Cockpit  | •     | •      | •           | £295.00           |
| 6I1        | <b>Audi active lane assist.</b> Helps the driver stay in lane, with gentle steering intervention, providing enhanced safety and comfort, especially on motorways and country roads:<br>- Working within the system limits, it functions between speeds of approx 37mph to 155mph* and detects lane markings<br>- It then helps the driver remain in lane by active steering intervention and, if desired, vibration when inadvertently leaving the lane without indicating<br>- The system is activated manually by a switch on the indicator stalk<br>(Standard on 2.0 TFSI and TTS engines)<br>Only in combination with Auto-dimming rear-view mirror with Light and rain sensor package (PU7) on the 2.0 TDI engine with Sport trim  | •     | •      | S           | £650.00           |
| 7Y1        | <b>Audi side assist.</b> Increased safety thanks to monitoring of the blind spot:<br>- Working within the system limits, it functions above 19mph using radar sensors to monitor the areas to the side and behind the vehicle<br>- It then informs the driver with a visual warning signal in the door mirror if there is a vehicle in their blind spot or approaching quickly from behind<br>- The system is activated using the MMI car settings  | •     | •      | •           | £595.00           |
| QR9        | <b>Traffic sign recognition.</b> The camera-based recognition of traffic signs function enables the current statutory speed limit to be conveniently displayed in the Audi Virtual Cockpit. Should the camera fail to see a sign properly, the speed limit from the data for the navigation system will be shown instead. Some advantages of this system are:<br>- Current detected speed limits, including additional signs, are displayed at all times in the Audi Virtual Cockpit<br>- In addition, speed limits are evaluated according to the situation if the road surface is wet or at certain times of day<br>- Within system limits, the camera-based system also recognises temporary speed restrictions at road works and on digital signs (e.g. overhead signs on motorways)<br>Only available in combination with Technology package featuring Audi Connect (WB4) and auto-dimming rear-view mirror with Light and rain sensor package (PU7) on the 2.0 TDI engine with Sport trim | •     | •      | •           | £160.00           |



Audi active lane assist



Audi side assist

## Looking after your Audi

When you've chosen your ideal model, it's reassuring to know that it will remain in safe hands. That's why we've created products to protect your Audi, such as extended warranties. And there's also a range of Audi accessories and merchandise to choose from, enabling you to further enhance and safeguard your car.







# Audi Complete

If you drive under 10,000 miles per annum your vehicle will be placed on a Fixed Inspection Service schedule. If your mileage tends to exceed 10,000 miles per annum it will be placed on the Flexible Service schedule.

## Warranty

All new Audi models now come with a choice of a three, four or five-year warranty.\* What's more, if you decide to sell your Audi before the warranty expires, it will be fully transferred to the new owner. So, whichever length of warranty you choose, you can forget about unexpected repair bills and enjoy several years of carefree driving.

Options are subject to availability and may extend delivery.

- = Not available
- = Available
- S = Standard

\*Three-year warranty consists of a two-year unlimited mileage warranty and a third year warranty with a 60,000-mile limitation. Four-year warranty consists of a two-year unlimited mileage warranty and two further years' coverage with a 75,000-mile limitation. Five-year warranty consists of a two-year unlimited mileage warranty and three further years' coverage with a 90,000-mile limitation.

\*\*Only available prior to registration of your Audi TT. Please speak to your Audi Centre for full details.

RRP - Recommended Retail Price.

VAT is calculated at 20% but this may alter to reflect any change in the applicable VAT rate.

Audi Complete is our fixed-cost maintenance plan, which helps you keep your Audi in top condition and stay in control of your finances. For a simple monthly payment, you could cover your car's servicing, maintenance and, if you want, its tyres too.

So not only will you ensure your car runs smoothly, you'll also protect its future resale value. And because everything's covered by one competitive price, there's no need to go anywhere else.

Pricing is completely tailored to your vehicle and takes into consideration the options you have on your vehicle and your likely annual mileage and resultant service schedule. Please speak to your Audi Centre for a personalised quote for Audi Complete.

| Order Code |   | TT | TTS | Total RRP inc VAT |
|------------|---|----|-----|-------------------|
| -          | <b>Audi Warranty</b> , covering you for unlimited mileage in the first two years of ownership, and up to 60,000 miles in the third year. Transferable between owners**  | S  | S   | No charge         |
| EA6        | <b>Audi Warranty</b> , covering you for up to 4 years or 75,000 miles, whichever comes sooner. Cover includes a two-year unlimited mileage warranty, and up to 75,000 miles in the third and fourth years. Transferable between owners**        | •  | •   | £385.00           |
| EA9        | <b>Audi Warranty</b> , covering you for up to 5 years or 90,000 miles, whichever comes sooner. Cover includes a two-year unlimited mileage warranty, and up to 90,000 miles in the third, fourth and fifth years. Transferable between owners** | •  | •   | £905.00           |





## Accessories

Choosing an Audi isn't just a matter of deciding on the model you want; it's about creating a car that suits your needs perfectly. And that's why we've developed a range of accessories to enhance your TT, enabling you to customise it down to the last detail. Like your Audi, all these accessories are developed to the highest possible standards. They're all available exclusively from Audi. To find out more, just visit [audi.co.uk/accessories](http://audi.co.uk/accessories) or contact your local Audi Centre.

### Warranty

All of the accessories available on the TT are covered by a three-year warranty\* if they are ordered and included in the purchase price of the car at date of delivery. Any accessories ordered and installed after delivery include a two-year warranty.\*

\*Excluding Road Angel products.

Audi Accessories warranty terms and conditions can be found at [audi.co.uk](http://audi.co.uk)



## Merchandise

From the enthusiasts' motorsport collection to the sophisticated Audi collection, there's a wide variety of adults' and children's clothing, lifestyle accessories and collectables, all of which bear the Audi name.

Please speak to a member of our team at your local Audi Centre to see the full Audi collection and to place an order. A selection of Audi merchandise is also available to buy from [audi.co.uk/merchandise](http://audi.co.uk/merchandise)



Image shown is the Audi kids' car legends, item number 320.13.004.00

# The Audi **Difference**

## The experts in Vorsprung durch Technik

Our Audi Approved Master Technicians have undergone an impressive 100,000 hours of training over a 10-year programme to ensure they have the latest technical expertise for maintaining and servicing your Audi. All our Service Advisors undergo a specialist induction and training to ensure they are Audi professionals and able to talk to you about any issues you may have with your Audi vehicle.

## Servicing tailored to your needs

Regular servicing is key to safeguarding your Audi's performance and a full Audi service history could help you enhance the future re-sale value. To make servicing easy, the Audi Service Schedules have been designed to work with your individual driving style and vehicle.

We offer two different schedules: the Fixed Inspection Service and the Flexible Service schedule. The conventional Fixed Inspection Service schedule has fixed intervals for the Oil-change Service and Inspection Service, which are determined by time and distance.

With the Flexible Service schedule, the Inspection Service intervals are also fixed but the Oil-change Service intervals are variable. Sensors take account of driving style and conditions to determine when the Oil-change Service is required and the driver is informed via the on-board service interval display.

The choice of Service Schedule will depend on journey type and mileage as well as individual driving style and conditions. The table to the right can be used for guidance but your Audi Centre will help you to determine the most suitable Service Schedule for you based on your individual circumstances and preferences.

### Fixed Inspection Service Schedule

|                    | Vehicle usage:  |
|--------------------|---|
| Mileage            | Less than 10,000 miles per annum<br>Mainly city/town centre driving.<br>Short journeys. |
|                    | Service intervals:  |
| Oil-change Service | Fixed to every 9,000+ miles/1 year  |
| Inspection Service | Fixed to every 19,000+ miles/2 years  |

### Flexible Service Schedule

|                    | Vehicle usage:  |
|--------------------|---|
| Mileage            | More than 10,000 miles per annum<br>Motorway and main road driving.<br>Mainly longer distance journeys.<br>Constant speeds. |
|                    | Service intervals:  |
| Oil-change Service | Variable to a maximum of every 19,000+ miles/2 years  |
| Inspection Service | Fixed to every 19,000+ miles/2 years  |

When a vehicle is frequently used in the following conditions, we recommend a Fixed Inspection Service Schedule, regardless of mileage:

Uneconomical driving styles, e.g. heavy acceleration and braking, constant use of high revs  
High engine-loading conditions, e.g. frequent towing and hill climbs

\*As indicated by the service interval display. Mileages are approximate as the Service Indicator system uses kilometres as its distance measurement.

## Your convenience comes first

At Audi you can choose from a range of convenient services that suit your needs. Why not book a 'service while you wait' appointment\* and enjoy our complimentary refreshments while your car is with us? Or, if you need to be mobile, take advantage of one of our courtesy cars which we can even deliver to you.\* We guarantee we can service your Audi within 5 days without a courtesy car or within 10 days if you need transport. We will also ensure your car is returned to you with a full valet.

## Audi Genuine Parts

You can rest assured that only Audi Genuine Parts will be used on your vehicle. What's more, Audi parts and labour come with a 2-year guarantee.\*\*

## No hidden costs

We believe strongly in transparency when it comes to our prices. For added peace of mind, we will give you a quotation over the phone for the work you have requested and email you the price confirmation. We'll consult you if any additional work on your car is needed when it is with us. We won't carry out any extra work without asking your permission first.

## All part of the service

Whenever we see an Audi for a service, we connect it directly to our headquarters in Ingolstadt which enables us to check your car's software and make sure it's as up-to-date as possible. If the factory has released a software upgrade for your model, it can be applied immediately - improving anything from your car's efficiency to the precision of its parking system.

## Audi Roadside Assistance

Your new car comes complete with 3 years' complimentary roadside assistance and recovery across the UK, provided by Automobile Association Insurance Services Limited. Also included is roadside assistance throughout Europe, managed by Automobile Association Insurance Services Limited.

For further information and terms and conditions please visit [audi.co.uk](http://audi.co.uk)

\*Subject to availability.

\*\*Excludes wear and tear.





# TT Coupé

## technical data

| Engine   | Petrol         |                  |                  | Diesel         |
|--|----------------|------------------|------------------|----------------|
|  | 2.0 TFSI       | 2.0 TFSI         | 2.0 TFSI quattro | 2.0 TDI ultra  |
| Transmission   | 6-speed manual | 6-speed S tronic | 6-speed S tronic | 6-speed manual |
| Cylinder   | 4-cylinder     | 4-cylinder       | 4-cylinder       | 4-cylinder     |
| Displacement, cubic cm (valves per cylinder)               | 1984 (4)       | 1984 (4)         | 1984 (4)         | 1968 (4)       |
| Max. power <sup>1</sup> , PS at rpm                        | 230/4500-6200  | 230/4500-6200    | 230/4500-6200    | 184/3500-4000  |
| Max. torque, Nm at rpm                                     | 370/1600-4300  | 370/1600-4300    | 370/1600-4300    | 380/1750-3250  |
| Top speed <sup>2</sup> , mph                               | 155            | 155              | 155              | 149            |
| 0-62mph acceleration, seconds                              | 6.0            | 5.9              | 5.3              | 7.1            |
| CO <sub>2</sub> emissions <sup>3</sup> , g/km*             | 141            | 150              | 153              | 116            |
| Benefit in kind (BIK)%*                                    | 23%            | 25%              | 25%              | 21%            |
| Fuel consumption <sup>3</sup> , mpg (l/100km) Urban*       | 37.7 (7.5)     | 33.6 (8.4)       | 33.2 (8.5)       | 54.3 (5.2)     |
| Fuel consumption <sup>3</sup> , mpg (l/100km) Extra Urban* | 54.3 (5.2)     | 52.3 (5.4)       | 50.4 (5.6)       | 70.6 (4.0)     |
| Fuel consumption <sup>3</sup> , mpg (l/100km) Combined*    | 46.3 (6.1)     | 43.5 (6.5)       | 42.8 (6.6)       | 62.8 (4.5)     |
| ABI insurance group 1-50 <sup>4</sup>                      | 35E            | 35E              | 37E              | 35E            |
| Unladen weight <sup>4</sup> , kg                           | 1230           | 1260             | 1335             | 1265           |
| Gross weight limit, kg                                     | 1630           | 1660             | 1735             | 1665           |
| Roof load limit  | 75             | 75               | 75               | 75             |
| Luggage compartment capacity, rear seats upright, litres   | 305            | 305              | 305              | 305            |
| Luggage compartment capacity, rear seats folded, litres    | 712            | 712              | 712              | 712            |
| Fuel tank capacity approx, litres                          | 50             | 50               | 55               | 50             |
| Emission standard  | EU6            | EU6              | EU6              | EU6            |

<sup>1</sup>Highest insurance group rating shown. Group may be lower dependent on trim level. Please visit [www.thatcham.org/abigrouprating](http://www.thatcham.org/abigrouprating) for details.

**Please note:** The maximum power output figures are quoted in PS (or Pferdestärke, which is the metric equivalent of brake horsepower). To convert to brake horsepower, divide the PS figure by 1.0139.

<sup>2</sup>The given value was obtained in accordance with the specified measurement procedure (the respective current version of the Directive 80/1269/EEC).

<sup>3</sup>Top speed is achieved in top gear.

<sup>4</sup>Fuel consumption and CO<sub>2</sub> emissions figures are obtained under standardised test conditions (Directive 93/116/EEC) using a representative model. This allows direct comparison between different models from different manufacturers, but may not represent the actual fuel consumption achieved in 'real world' driving conditions. More information is available at [www.dft.gov.uk/vca](http://www.dft.gov.uk/vca)

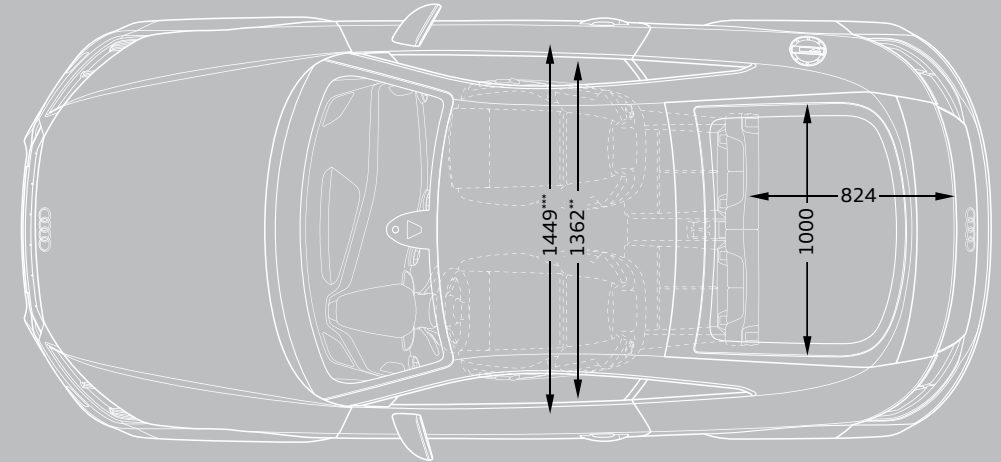
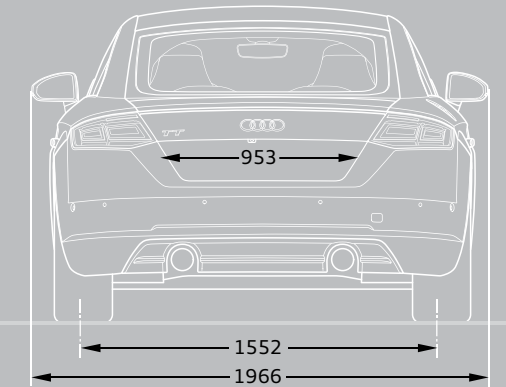
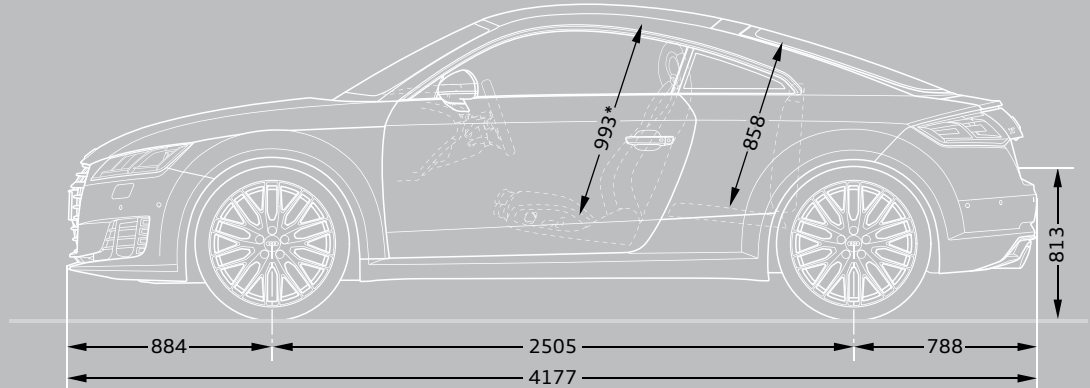
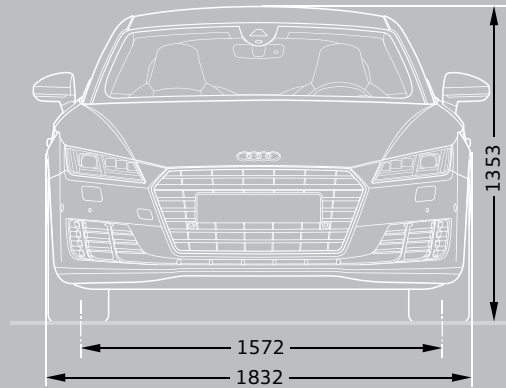
<sup>5</sup>Vehicle's unladen weight without driver (calculated in accordance with the current version of Directive 80/1268/EEC). The fitting of additional equipment may increase the vehicle's unladen weight and drag coefficient, whereupon the potential carrying capacity and top speed will be correspondingly reduced.

<sup>6</sup>The engine's power output always goes down with increasing altitude. At 1,000m above sea level, and for every additional 1,000m, deduct 10% from the weight of the outfit (trailer load limit + gross weight of the towing vehicle).



# TT Coupé dimensions

The technical drawings opposite show the exact dimensions of the Audi TT Coupé, so you can check everything – from whether the car will fit in your garage to whether your luggage will fit in the boot.



\*Maximum headroom.

\*\*Elbow room width.

\*\*\*Shoulder room width.

Dimensions in millimetres.

Turning circle approx 11m.

Dimensions measured with vehicle at unladen weight.

# TTS Coupé technical data

| Engine   | Petrol          |                  |
|--|-----------------|------------------|
|  | 2.0 TTS quattro | 2.0 TTS quattro  |
| Transmission   | 6-speed manual  | 6-speed S tronic |
| Cylinder   | 4-cylinder      | 4-cylinder       |
| Displacement, cubic cm (valves per cylinder)               | 1984 (4)        | 1984 (4)         |
| Max. power <sup>1</sup> , PS at rpm                        | 310/5800-6200   | 310/5800-6200    |
| Max. torque, Nm at rpm                                     | 380/1800-5700   | 380/1800-5700    |
| Top speed <sup>2</sup> , mph                               | 155             | 155              |
| 0-62mph acceleration, seconds                              | 4.9             | 4.6              |
| CO <sub>2</sub> emissions <sup>3</sup> , g/km*             | 168             | 159              |
| Benefit in kind (BIK)%*                                    | 28%             | 26%              |
| Fuel consumption <sup>3</sup> , mpg (l/100km) Urban*       | 30.1 (9.4)      | 33.6 (8.4)       |
| Fuel consumption <sup>3</sup> , mpg (l/100km) Extra Urban* | 46.3 (6.1)      | 47.1 (6.0)       |
| Fuel consumption <sup>3</sup> , mpg (l/100km) Combined*    | 38.7 (7.3)      | 40.9 (6.9)       |
| ABI insurance group 1-50 <sup>4</sup>                      | 42E             | 42E              |
| Unladen weight <sup>4</sup> , kg                           | 1365            | 1385             |
| Gross weight limit, kg                                     | 1765            | 1785             |
| Roof load limit  | 75              | 75               |
| Luggage compartment capacity, rear seats upright, litres   | 305             | 305              |
| Luggage compartment capacity, rear seats folded, litres    | 712             | 712              |
| Fuel tank capacity approx, litres                          | 55              | 55               |
| Emission standard  | EU6             | EU6              |

<sup>1</sup>Highest insurance group rating shown. Group may be lower dependent on trim level. Please visit [www.thatcham.org/abigrouprating](http://www.thatcham.org/abigrouprating) for details.

**Please note:** The maximum power output figures are quoted in PS (or Pferdestärke, which is the metric equivalent of brake horsepower). To convert to brake horsepower, divide the PS figure by 1.0139.

<sup>2</sup>The given value was obtained in accordance with the specified measurement procedure (the respective current version of the Directive 80/1269/EEC).

<sup>3</sup>Top speed is achieved in top gear.

<sup>4</sup>Fuel consumption and CO<sub>2</sub> emissions figures are obtained under standardised test conditions (Directive 93/116/EEC) using a representative model. This allows direct comparison between different models from different manufacturers, but may not represent the actual fuel consumption achieved in 'real world' driving conditions. More information is available at [www.dft.gov.uk/vca](http://www.dft.gov.uk/vca)

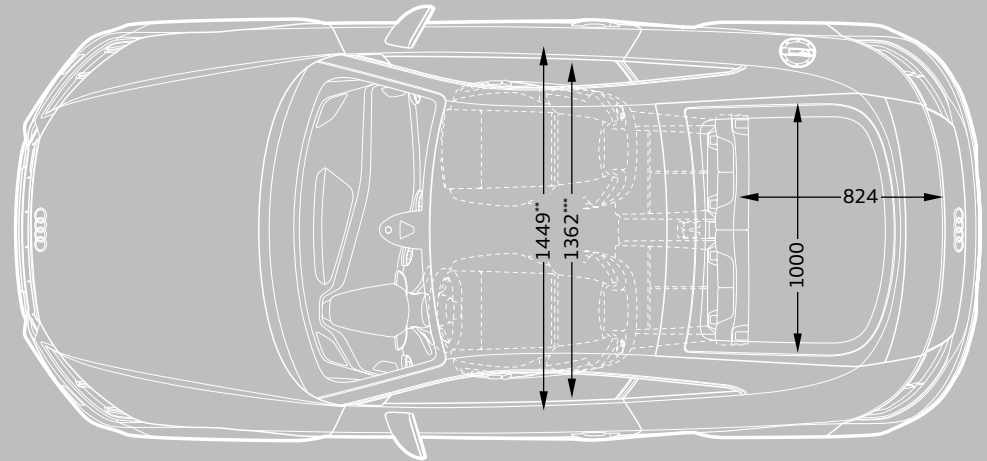
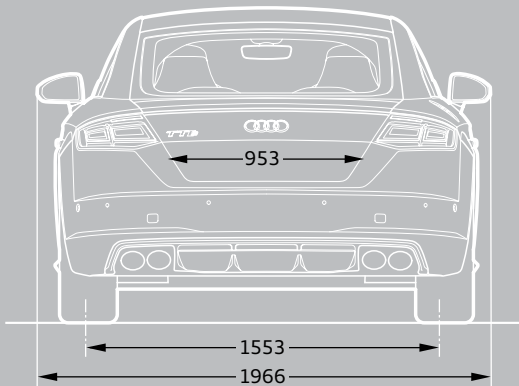
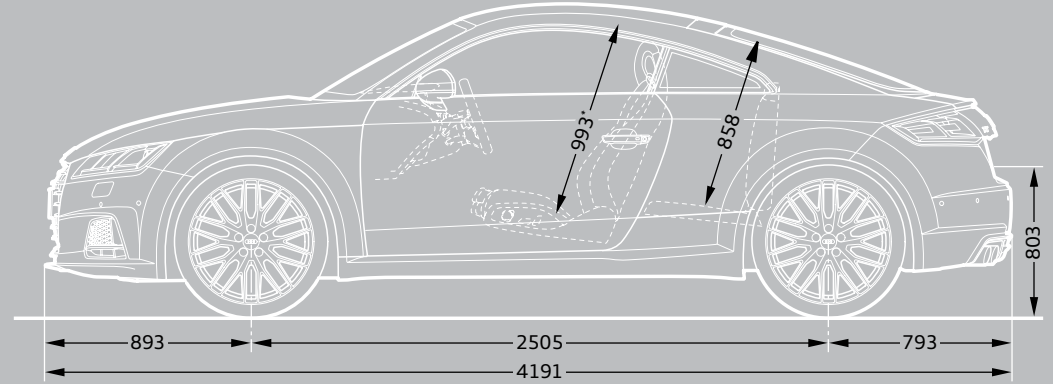
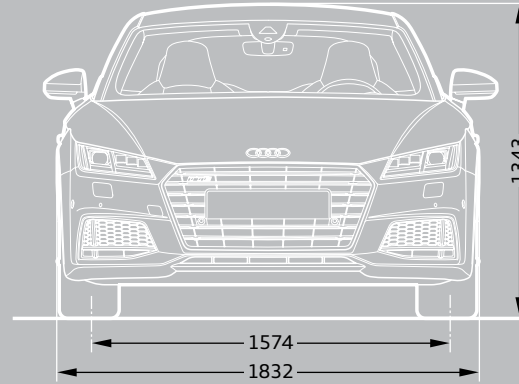
<sup>5</sup>Vehicle's unladen weight without driver (calculated in accordance with the current version of Directive 80/1268/EEC). The fitting of additional equipment may increase the vehicle's unladen weight and drag coefficient, whereupon the potential carrying capacity and top speed will be correspondingly reduced.

<sup>6</sup>The engine's power output always goes down with increasing altitude. At 1,000m above sea level, and for every additional 1,000m, deduct 10% from the weight of the outfit (trailer load limit + gross weight of the towing vehicle).



# TTS Coupé dimensions

The technical drawings opposite show the exact dimensions of the Audi TTS Coupé, so you can check everything – from whether the car will fit in your garage to whether your luggage will fit in the boot.



\*Maximum headroom.

\*\*Elbow room width.

\*\*\*Shoulder room width.

Dimensions in millimetres.

Turning circle approx 11m.

Dimensions measured with vehicle at unladen weight.

# TT Roadster

## technical data

| Engine   | Petrol         |                  |                  | Diesel         |
|--|----------------|------------------|------------------|----------------|
|  | 2.0 TFSI       | 2.0 TFSI         | 2.0 TFSI quattro | 2.0 TDI ultra  |
| Transmission   | 6-speed manual | 6-speed S tronic | 6-speed S tronic | 6-speed manual |
| Cylinder   | 4-cylinder     | 4-cylinder       | 4-cylinder       | 4-cylinder     |
| Displacement, cubic cm (valves per cylinder)               | 1984 (4)       | 1984 (4)         | 1984 (4)         | 1968 (4)       |
| Max. power <sup>1</sup> , PS at rpm                        | 230/4500-6200  | 230/4500-6200    | 230/4500-6200    | 184/3500-4000  |
| Max. torque, Nm at rpm                                     | 370/1600-4300  | 370/1600-4300    | 370/1600-4300    | 380/1750-3250  |
| Top speed <sup>2</sup> , mph                               | 155            | 155              | 155              | 147            |
| 0-62mph acceleration, seconds                              | 6.2            | 6.1              | 5.6              | 7.3            |
| CO <sub>2</sub> emissions <sup>3</sup> , g/km*             | 144            | 155              | 158              | 120            |
| Benefit in kind (BIK)%*                                    | 23%            | 26%              | 26%              | 22%            |
| Fuel consumption <sup>3</sup> , mpg (l/100km) Urban*       | 36.7 (7.7)     | 32.8 (8.6)       | 32.5 (8.7)       | 52.3 (5.4)     |
| Fuel consumption <sup>3</sup> , mpg (l/100km) Extra Urban* | 52.3 (5.4)     | 50.4 (5.6)       | 48.7 (5.8)       | 67.3 (4.2)     |
| Fuel consumption <sup>3</sup> , mpg (l/100km) Combined*    | 45.6 (6.2)     | 42.2 (6.7)       | 40.9 (6.9)       | 61.4 (4.6)     |
| ABI insurance group 1-50 <sup>4</sup>                      | 38E            | 38E              | 39E              | 36E            |
| Unladen weight <sup>4</sup> , kg                           | 1320           | 1350             | 1425             | 1360           |
| Gross weight limit, kg                                     | 1640           | 1670             | 1745             | 1680           |
| Luggage compartment capacity, litres                       | 280            | 280              | 280              | 280            |
| Fuel tank capacity approx, litres                          | 50             | 50               | 55               | 50             |
| Emission standard  | EU6            | EU6              | EU6              | EU6            |

<sup>1</sup>Highest insurance group rating shown. Group may be lower dependent on trim level. Please visit [www.thatcham.org/abigrouprating](http://www.thatcham.org/abigrouprating) for details.

**Please note:** The maximum power output figures are quoted in PS (or Pferdestärke, which is the metric equivalent of brake horsepower). To convert to brake horsepower, divide the PS figure by 1.0139.

<sup>2</sup>The given value was obtained in accordance with the specified measurement procedure (the respective current version of the Directive 80/1269/EEC).

<sup>3</sup>Top speed is achieved in top gear.

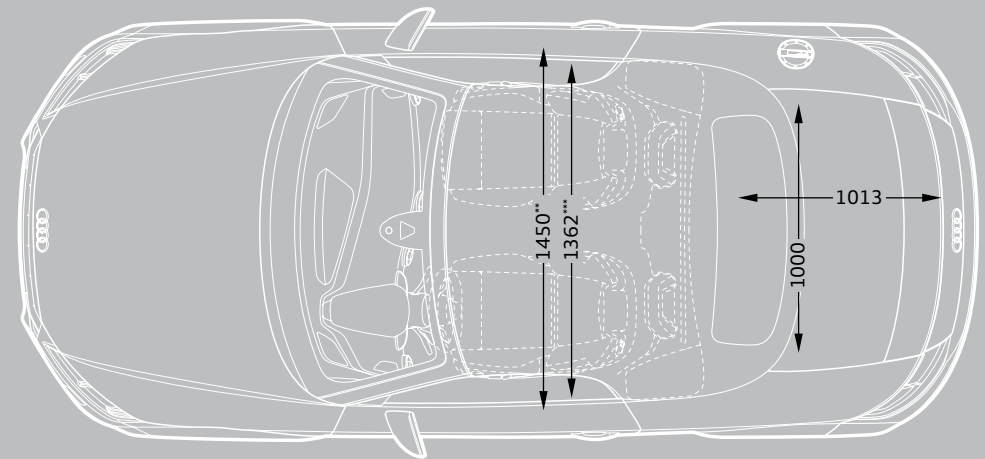
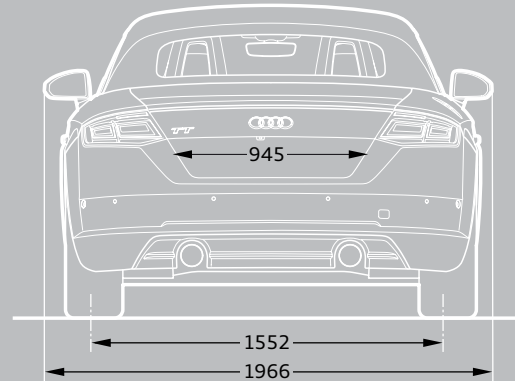
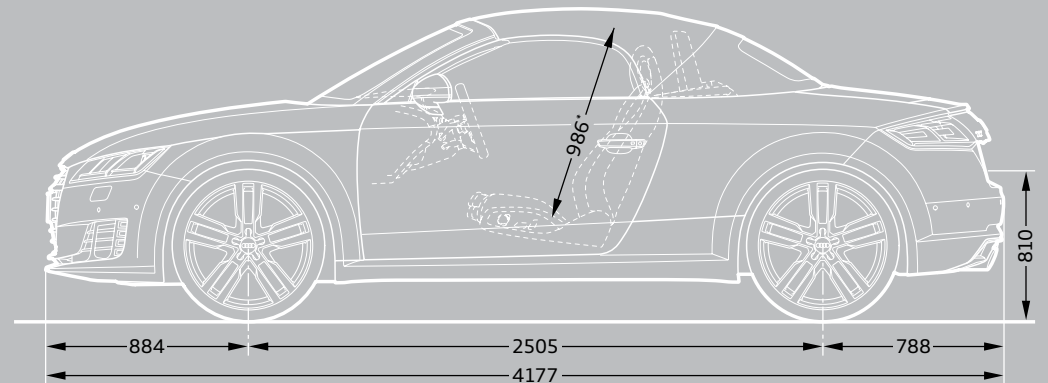
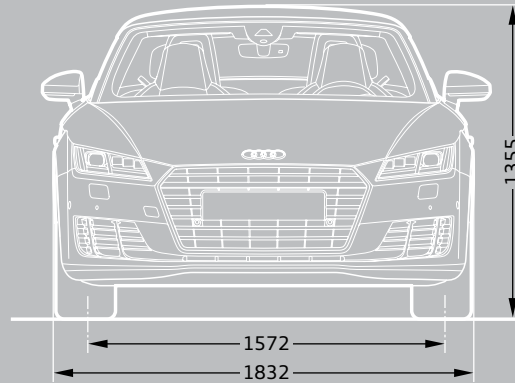
<sup>4</sup>Fuel consumption and CO<sub>2</sub> emissions figures are obtained under standardised test conditions (Directive 93/116/EEC) using a representative model. This allows direct comparison between different models from different manufacturers, but may not represent the actual fuel consumption achieved in 'real world' driving conditions. More information is available at [www.dft.gov.uk/vca](http://www.dft.gov.uk/vca)

<sup>5</sup>Vehicle's unladen weight without driver (calculated in accordance with the current version of Directive 80/1268/EEC). The fitting of additional equipment may increase the vehicle's unladen weight and drag coefficient, whereupon the potential carrying capacity and top speed will be correspondingly reduced.

<sup>6</sup>The engine's power output always goes down with increasing altitude. At 1,000m above sea level, and for every additional 1,000m, deduct 10% from the weight of the outfit (trailer load limit + gross weight of the towing vehicle).

# TT Roadster dimensions

The technical drawings opposite show the exact dimensions of the Audi TT Roadster, so you can check everything – from whether the car will fit in your garage to whether your luggage will fit in the boot.



\*Maximum headroom.

\*\*Elbow room width.

\*\*\*Shoulder room width.

Dimensions in millimetres.

Turning circle approx 11m.

Dimensions measured with vehicle at unladen weight.

# TTS Roadster technical data

|  | Petrol          |                  |
|--|-----------------|------------------|
|  | 2.0 TTS quattro | 2.0 TTS quattro  |
| Engine   | 2.0 TTS quattro | 2.0 TTS quattro  |
| Transmission   | 6-speed manual  | 6-speed S tronic |
| Cylinder   | 4-cylinder      | 4-cylinder       |
| Displacement, cubic cm (valves per cylinder)               | 1984 (4)        | 1984 (4)         |
| Max. power <sup>1</sup> , PS at rpm                        | 310/5800-6200   | 310/5800-6200    |
| Max. torque, Nm at rpm                                     | 380/1800-5700   | 380/1800-5700    |
| Top speed <sup>2</sup> , mph                               | 155             | 155              |
| 0-62mph acceleration, seconds                              | 5.2             | 4.9              |
| CO <sub>2</sub> emissions <sup>3</sup> , g/km*             | 173             | 163              |
| Benefit in kind (BIK)% <sup>4</sup>                        | 29%             | 27%              |
| Fuel consumption <sup>3</sup> , mpg (l/100km) Urban*       | 29.7 (9.5)      | 32.8 (8.6)       |
| Fuel consumption <sup>3</sup> , mpg (l/100km) Extra Urban* | 44.8 (6.3)      | 45.6 (6.2)       |
| Fuel consumption <sup>3</sup> , mpg (l/100km) Combined*    | 37.7 (7.5)      | 39.8 (7.1)       |
| ABI insurance group 1-50 <sup>5</sup>                      | 43E             | 43E              |
| Unladen weight <sup>6</sup> , kg                           | 1450            | 1470             |
| Gross weight limit, kg                                     | 1770            | 1790             |
| Luggage compartment capacity, rear seats upright, litres   | 280             | 280              |
| Fuel tank capacity approx, litres                          | 55              | 55               |
| Emission standard  | EU6             | EU6              |

<sup>1</sup>Highest insurance group rating shown. Group may be lower dependent on trim level. Please visit [www.thatcham.org/abigrouprating](http://www.thatcham.org/abigrouprating) for details.

**Please note:** The maximum power output figures are quoted in PS (or Pferdestärke, which is the metric equivalent of brake horsepower). To convert to brake horsepower, divide the PS figure by 1.0139.

<sup>2</sup>The given value was obtained in accordance with the specified measurement procedure (the respective current version of the Directive 80/1269/EEC).

<sup>3</sup>Top speed is achieved in top gear.

<sup>4</sup>Fuel consumption and CO<sub>2</sub> emissions figures are obtained under standardised test conditions (Directive 93/116/EEC) using a representative model. This allows direct comparison between different models from different manufacturers, but may not represent the actual fuel consumption achieved in 'real world' driving conditions. More information is available at [www.dft.gov.uk/vca](http://www.dft.gov.uk/vca)

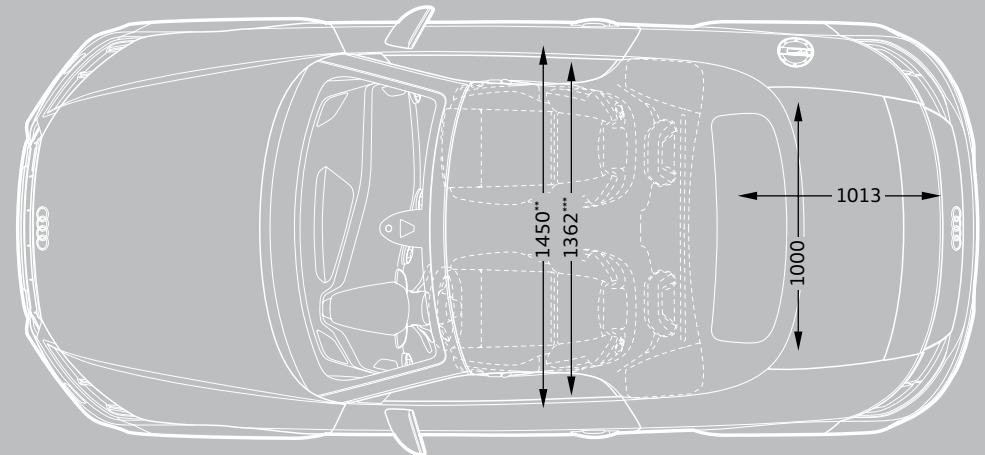
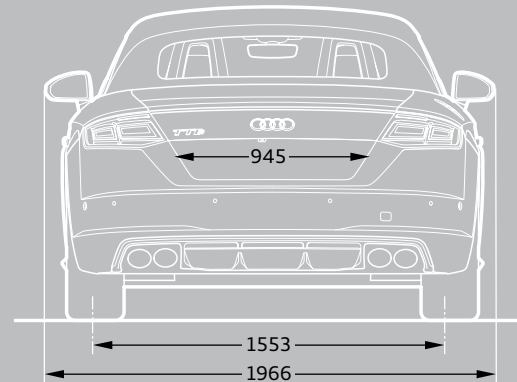
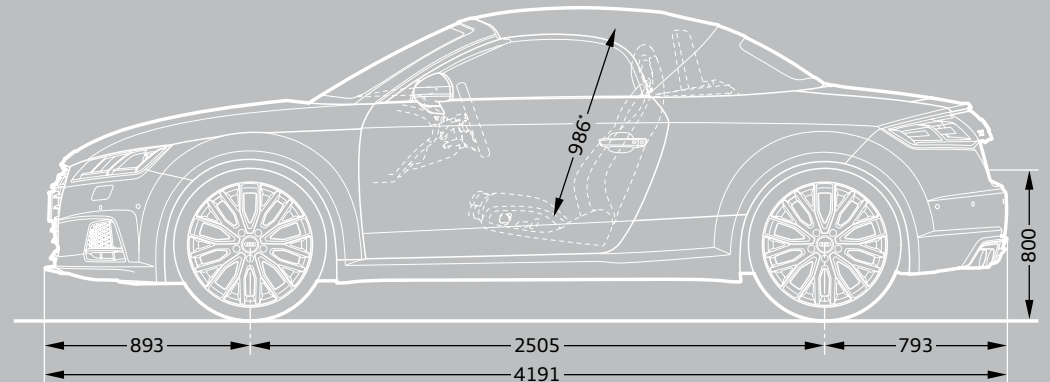
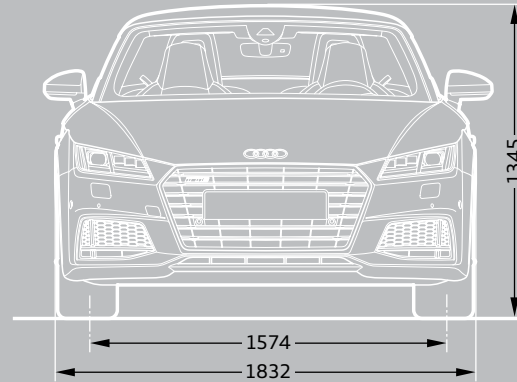
<sup>5</sup>Vehicle's unladen weight without driver (calculated in accordance with the current version of Directive 80/1268/EEC). The fitting of additional equipment may increase the vehicle's unladen weight and drag coefficient, whereupon the potential carrying capacity and top speed will be correspondingly reduced.

<sup>6</sup>The engine's power output always goes down with increasing altitude. At 1,000m above sea level, and for every additional 1,000m, deduct 10% from the weight of the outfit (trailer load limit + gross weight of the towing vehicle).



# TTS Roadster dimensions

The technical drawings opposite show the exact dimensions of the Audi TTS Roadster, so you can check everything – from whether the car will fit in your garage to whether your luggage will fit in the boot.



\*Maximum headroom.

\*\*Elbow room width.

\*\*\*Shoulder room width.

Dimensions in millimetres.

Turning circle approx 11m.

Dimensions measured with vehicle at unladen weight.

# Pricing and Additional information

## Welcome to Audi

By placing an order for your Audi, you're choosing to get behind the wheel of one of the most sophisticated cars on the road. And because we believe the service we offer should be just as advanced, we want to let you know exactly what you can expect from us, now and in the future.

We've agreed a set of standards with all our Centres which governs the way we do business with you. It outlines the kind of service we promise to deliver for every customer, right down to filling each new Audi we sell with half a tank of fuel.

So whether you're interested in the date your car will arrive in the UK or the way we'll dispose of non-biodegradable materials after we service your Audi, you can have total confidence in us.

## Audi Promise

### Audi Centres

We guarantee that all our Centres will be open as follows:

Sales: Monday to Friday 9am–6pm  
Saturday 9am–5pm

Service: Monday to Friday 8am–6pm  
Saturday 8.30am–1pm

Sunday opening is at local discretion.

### New car delivery

Once we've confirmed a delivery date for your car, we'll keep you informed of progress. Subject to reasonable notice, we'll then deliver it to a place of your choice, whether that's your home or work. In the unlikely event of a delay, we'll provide a courtesy car to minimise inconvenience and keep you mobile.

### Environmental commitment

We promise to dispose of all non-biodegradable materials from your vehicle in a responsible manner.

### Pricing

Prices and specifications given are correct at the time of printing. Always check details with your Audi Centre as Audi policies are continually developing. We reserve the right to change prices or specifications at any time.

All prices are subject to VAT, currently charged at 20%, but this may alter to reflect any change in the applicable VAT rate.

Delivery charges and number plates are not included in the vehicle price.

|                 |         |
|-----------------|---------|
| Delivery charge | £504.99 |
| Number plate    | £20.00  |
| VAT             | £105.01 |
| Total           | £630.00 |

## Audi Customer Care

Every new Audi benefits from the comprehensive Audi Customer Care Package, which comprises:

- ▶ A 3-year Audi warranty, which covers you for unlimited mileage in the first 2 years of ownership, with a full mechanical and electrical warranty which covers you for up to 60,000 miles in the 3rd year
- ▶ A 3-year paint warranty
- ▶ A 12-year anti-corrosion warranty
- ▶ 3 years' UK roadside assistance and recovery

You also have the option when ordering your new car of choosing a 4-year or 5-year Audi warranty. Speak to a member of the sales team for more information.

### Audi tax-free sales

If you are entitled to purchase a vehicle free of VAT, normally through military or diplomatic privilege, please contact your local Audi Centre for full details.

Should you have any difficulty obtaining the information you require, please call 01908 548 356.

### Audi Financial Services

Audi Financial Services specialises in providing funding solutions for Audi drivers. Whether your Audi is for private or business use, there is a range of funding options to choose from.

Below is the full range of finance products, which comprises:

- ▶ Solutions – a Personal Contract Plan
- ▶ Hire purchase
- ▶ Lease purchase
- ▶ Finance lease
- ▶ Contract hire

With all products, you can choose a fixed-cost maintenance plan designed to help you budget accurately.

No matter which Audi model you choose, your local Audi Centre can provide you with a personalised quote designed to fit your budget and motoring needs.

Audi Financial Services is a trading name of Volkswagen Financial Services (UK) Limited. An offer of finance depends on certain conditions. Available to people over 18 in the UK only.

### Audi Insurance

We want you to start enjoying your new car from day one and thanks to Audi complimentary five day insurance you can. To activate simply call 0330 303 6900, provide us with a few details, and we'll send a cover note to your Audi Centre. They will then tax your car and you can drive it away. Telephone lines are open Monday to Friday 8am – 8pm and Saturday 9am – 4pm. For details of our full range of Insurance products visit [insurewithaudi.co.uk](http://insurewithaudi.co.uk)



## CO2 data and information

### CO2 emissions-based Vehicle Excise Duty

Vehicle Excise Duty (Road Fund Licence) is based upon the amount of Carbon Dioxide (CO2) a vehicle emits, measured in grams per kilometre (g/km).

First year VED rates apply to the first year of ownership. Annual VED rates apply thereafter. The DVLA has created thirteen categories:

| Petrol and Diesel engines | First year | Annual rate (second year onwards) |
|---------------------------|------------|-----------------------------------|
| A – up to 100g/km         | £0.00      | £0.00                             |
| B – 101 to 110g/km        | £0.00      | £20.00                            |
| C – 111 to 120g/km        | £0.00      | £30.00                            |
| D – 121 to 130g/km        | £0.00      | £110.00                           |
| E – 131 to 140g/km        | £130.00    | £130.00                           |
| F – 141 to 150g/km        | £145.00    | £145.00                           |
| G – 151 to 165g/km        | £180.00    | £180.00                           |
| H – 166 to 175g/km        | £295.00    | £205.00                           |
| I – 176 to 185g/km        | £350.00    | £225.00                           |
| J – 186 to 200g/km        | £490.00    | £265.00                           |
| K – 201 to 225g/km        | £640.00    | £290.00                           |
| L – 226 to 255g/km        | £870.00    | £490.00                           |
| M – over 255g/km          | £1,100.00  | £505.00                           |

Vehicle Excise Duty (VED) rates correct at time of going to print, but these may alter to reflect any change in the applicable VED rate.

## Audi Connect

An external data source is required to enable Audi Connect online services. One of two can be used:

1. A mobile telephone with Bluetooth SIM Access Profile – to check the compatibility of your mobile phone and whether it has SIM Access Profile compatibility, please visit [www.audi.co.uk/phonecompatibility](http://www.audi.co.uk/phonecompatibility)
2. A separate SIM card which can be inserted in the included SIM card reader. When a separate SIM card is used, hands-free phone calls are possible using the SIM card or by connecting a different mobile telephone via Bluetooth Hands-Free Profile

Online services are only available for mobile phone contracts or SIM cards which include a data option with the use of LTE, if LTE usage is required. Online services will only be available within the coverage of the mobile phone network; there may be additional costs for the use of these services (charges and billing correspond to the personal mobile phone contract or SIM card contract).

Due to high data volumes, a mobile phone contract including an unlimited or high usage data plan is strongly recommended. The content and scope of the online based services offered may vary.

The Audi Connect services are provided for at least one year from vehicle delivery. After 24 months from delivery of the vehicle, the term of the Audi Connect services will be extended free of charge once for 12 months.

Audi Connect enables access to the services of Google and Twitter. Permanent availability cannot be guaranteed as this is the responsibility of Google and Twitter.

Please note that the services received are also dependent on the capability of your mobile phone.

Google and the Google logo are registered trademarks of Google Inc.

The availability of services supported by Audi Connect varies from country to country.

### Online Map updates

The map version delivered can be updated with the first 5 updates which are issued at intervals of 6 months. The current navigation data can be downloaded from the myAudi Platform at [www.audi.com/myaudi](http://www.audi.com/myaudi) and installed in the vehicle via SD card. In conjunction with Audi Connect, the update can be carried out online in the vehicle. In addition it is possible to have the new navigation data installed by an Audi partner at extra cost.







**Audi UK**

Customer Services  
Selectapost 29  
Sheffield  
S97 3FG  
0800 699888  
audi.co.uk

Specifications and prices subject  
to change without notice.

© Audi (UK)

Printed in the UK  
Edition 3.2 06/15  
2016 model year

Images are for illustrative purposes only.

