

# Mercedes-Benz Zetros.

The Off-Road Truck for Extreme Operations and All Terrain.



Mercedes-Benz  
Trucks you can trust

# Tons of Work. No Roads.

The Zetros Design.





**Outstanding traction, supremely mobile, tough in the taking:** Zetros, the off-road specialist for extreme terrain, is the solution for the future when coping with exceedingly difficult conditions way off sealed roads. Decades of off-road know-how and innovative technology combine to produce this modern truck concept for carrying out extreme operations – and it impressively continues the legendary tradition of conventional trucks.

# Contents

Attachments and Mounted Bodies	4
Advantages Overview	6
Chassis Expertise	8
Cab and Ergonomics	12
Drive Technology	16
Trucks You Can Trust	18
Maintenance and Service Worldwide	20
Technical Data	22

# Any Job. Any Terrain. Any Time.

Designed Expressly for Attachments and Mounted Bodies.





Its straight and smooth ladder-type frame, reinforced top of the frame and auxiliary drives for attaching hydraulic systems ensure that the Zetros is supremely capable of mounting individually required attachments and bodies. Whether custom-built solutions are needed for disaster intervention, fire department, public service or the energy and construction sectors – the Zetros is ready and waiting. It is an absolutely state-of-the-art off-road truck for

- transporting goods, hazardous materials or people
- expeditions and recovery
- extinguishing fires
- rescues and disaster intervention
- loading, construction and assembly work



Important: As the Zetros is constructed on the same lines as other Mercedes-Benz truck product ranges, all the existing attachment and mounting systems can be used.



# The Advantages. In a Nutshell.

## Offroad



- Steadier handling over almost impassable terrain due to cab being positioned between the axles and even weight distribution, both loaded and empty
- Special off-road chassis with permanent four-wheel drive and 2-stage transfer gearbox with off-road ratio 1:1.169, reinforced frame, fully-automatic transmission, 3 differential locks
- Fording ability up to 0.8 m, as an option 1.19 m

## Reinforced Frame



- Sturdy ladder-type frame. Very flexible for fitting individual bodies
- Stable top of the frame designed for mounting front implements safely
- Heavy-duty outer planetary axles designed for a technically possible axle-load of 7.5 t (9 t as a option) on the front axle and 9 t on the rear axle
- Sturdy and maintenance-free chassis layout with long shock courses, shock absorbers and stabilizers





#### Low Maximum Height

- Low entry height with 14.00 R 20 in tyres
- Easier and safer to get in and out
- Low maximum height allows access to routes with low height clearance
- No engine tunnel, easy to climb through
- Cranes or special body structures can be fitted over the whole length of the vehicle



#### Great Comfort

- Familiar and easy steering and handling
- Plenty of space to work with up to 3 seats and up to 1,400 l stowage room
- Ergonomic seats positioned behind the front axle
- Good vision, familiar ease of operation from product ranges Axor and Atego
- 4 coat hooks, supplementary heating, front windscreen heating and many other options available



#### Low Maintenance Costs

- Quick and easy access to the engine without tipping the cab
- Co-drivers can remain in the vehicle, important for instance in bad weather
- Integrated access steps for servicing and doing repairs as well as cleaning the windscreen
- Spare parts quickly and easily available with Mercedes-Benz large-scale production







# Superior Off-Road Characteristics.

## The Off-Road Concept.

The Zetros is perfectly equipped for operations over the most difficult terrain – even under the most extreme conditions. Its superior off-road concept derives from the outstanding interaction of its powerful chassis components which ensure fast and safe driving over very varying types of ground. In addition, it has outstanding traction handling and is extremely mobile thanks to its bonnet design and well-balanced axle load distribution.

- **Permanent four-wheel drive.** For unconditional off-road performance over demanding terrain.
- **Differential locks.** Mechanical, can be engaged by driver if required.
- **Two-stage transfer gear box with off-road gear ration of 1:1.69.** Increases tractive power under extreme conditions by almost 70% and allows extremely low speeds.
- **13 t outer planetary rear axle.** Steel sprung, with drum brakes as single or powered axle.
- **Reinforced frame.** Provides the greatest stability under load and top flexibility for selecting the type of body required.
- **Fording ability.** With fording headlamps, ventilation and air-intake pipes installed higher over the cab, standard 800 mm, and with corresponding conversion up to 1,190 mm.



Geschützte Lampen





### Single Tyres

- Improve traction as the rear wheels run in the tracks of the front wheels
- High ground clearance thanks to tyre size 14.00 R 20 (or alternatively 10.00 V 20)
- Improve traction as the rear wheels run in the tracks of the front wheels
- High ground clearance thanks to tyre size 14.00 R 20 (or alternatively 10.00 V 20)



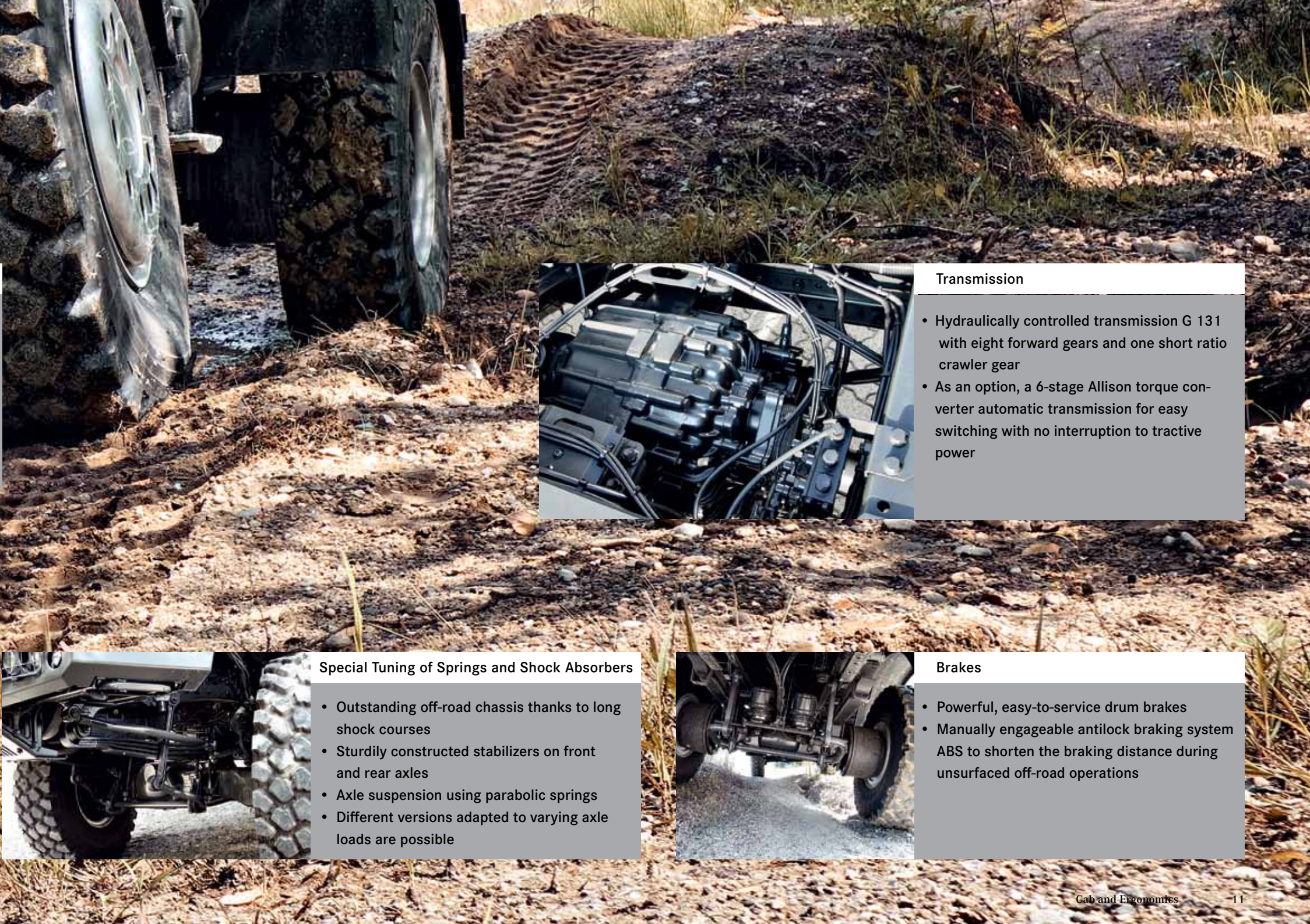
### Tyre Pressure Control System

- Allows the tyre pressure to be adjusted to varying ground conditions
- A larger ground contact surface for the tyres and lower pressure on the ground help to prevent the vehicle sinking into soft ground, e.g. on sand



### Differential Locks

- Hydraulically controlled transmission G 131 with eight forward gears and one short ratio crawler gear
- As an option, a 6-stage Allison torque converter automatic transmission for easy switching with no interruption to tractive power



### Transmission

- Hydraulically controlled transmission G 131 with eight forward gears and one short ratio crawler gear
- As an option, a 6-stage Allison torque converter automatic transmission for easy switching with no interruption to tractive power



### Special Tuning of Springs and Shock Absorbers

- Outstanding off-road chassis thanks to long shock courses
- Sturdily constructed stabilizers on front and rear axles
- Axle suspension using parabolic springs
- Different versions adapted to varying axle loads are possible



### Brakes

- Powerful, easy-to-service drum brakes
- Manually engageable antilock braking system ABS to shorten the braking distance during unsurfaced off-road operations

# Safe and Relaxed Off-Road Driving.

## Driving Cab Concept.

The engine on top of the front axle, the driving seat behind it: Because of its construction, a bonnet-truck has a number of great advantages for the driver, especially for off-road operations. The engine installed right at the front has a positive effect on the overall weight distribution and gives steadier handling even over difficult terrain. The bonnet in front gives the driver a safe feeling and encourages intuitive steering similar to driving a car. The long bonnet also has an important safety

function as it keeps outside hazards away from the wind-screen.

“Due to its successful design, amazingly high average speeds can be achieved when driving off-road.”

The good all-round visibility of the driving seat behind the front axle supplements the special tuning of the

Zetros chassis to provide an ideal place to work when off-road. Fewer bumps and jolts and less pitching increase passenger comfort and take the strain off both driver and co-driver. Getting in and out is easier and safer and the lack of an engine tunnel allows more freedom of movement in the generously designed cab. The ergonomic arrangement of the instruments taken from the product



ranges Axor and Atego make it easy to control the vehicle fast and safely. And the overall ergonomic concept is rounded off by its outstanding visibility providing a clear all-round view.



Easy access to the cab

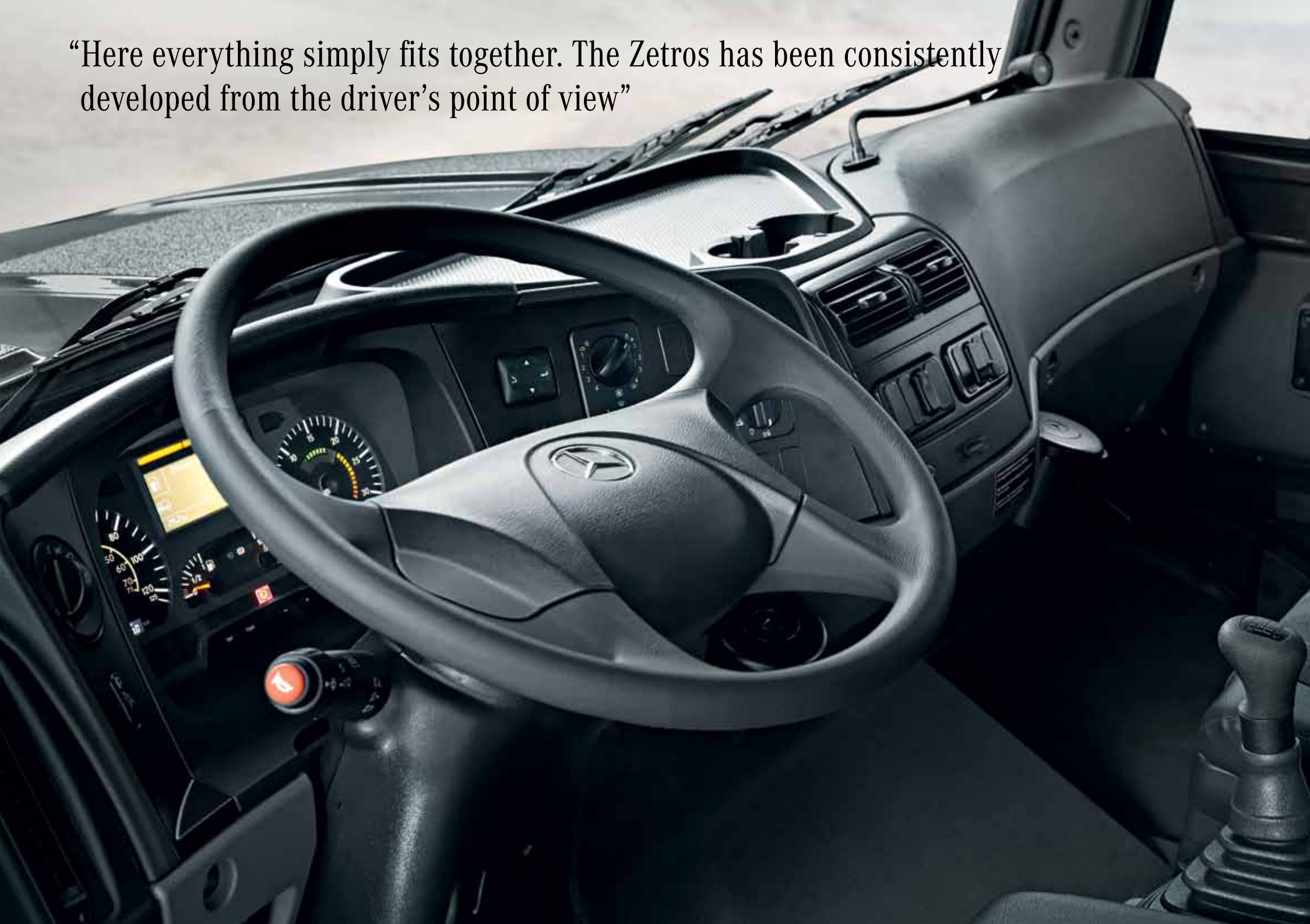


Fast and simple access to the engine



Non-slip steps and stand-on plates in the engine bay

“Here everything simply fits together. The Zetros has been consistently developed from the driver’s point of view”



### Instruments/Controls

- Ergonomically arranged instruments and controls
- Instrument panel taken from Mercedes-Benz large-scale production (Atego/Axor)
- Safe and easy to use, thus reducing training costs
- Steering wheel both height and tilt adjustable



### Cab/Interior

- Spacious steel cab with 3-point rubber mounting
- Unhampered movement and lots of leg room due to having no engine tunnel
- Three superior individual seats with integrated 3-point safety belts (centre seat as an option)
- Generous stowage space, numerous trays



### Air-Conditioning/Ventilation

- High performance heating and ventilating system with optional air-conditioning
- Optional warm water supplementary heater
- Optional supplementary heat insulation on rear wall of cab



### Visibility

- Excellent vision due to electrically adjustable driver's and co-driver's outside rear-view mirrors (co-driver's side with heating)
- Wide-angle mirror with heating (driver's side) and ramp mirror (co-driver's side) for increased road safety and to protect road partners
- Cab rear wall window and windscreen heating as an option



### Automatic Transmission

- Easy gear changing – hands stay on the steering wheel
- Increased operational safety due to smooth, jolt-free gear changing without interrupting tractive power
- Selection of wrong gear impossible; no need to engage the clutch when driving over soft ground



### Electrical Installations

- Pre-installation for additional 24 V appliances in cab
- Customized fitting of additional electrical equipment possible
- 15-channel trailer power outlet to supply trailers and articulated/semitrailers with 24 V vehicle system voltage, and much more.







# The Direct Way is the Most Economical. Drive Concept.

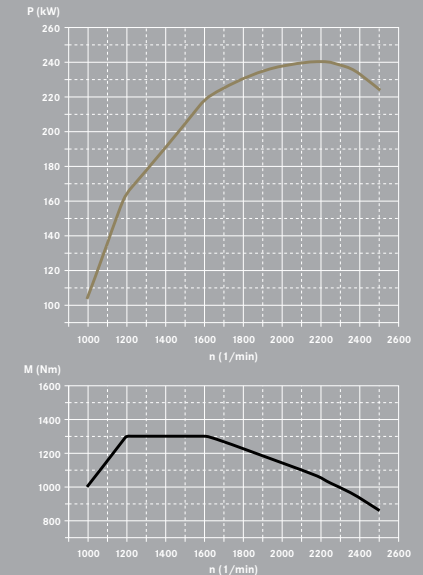
A modern off-road truck needs a reliable and economical engine. The Zetros has one.

Its compact six-cylinder in-line engine with exhaust-gas turbo charger and intercooler is extremely well-prepared to cope with demanding operations over difficult terrain.

Its durable construction with low-fuel consumption, perfectly tuned gears/axle combination and the Telligent®

engine system provides the Zetros with an efficient, diesel-saving powertrain.

Its economical fuel consumption and long intervals between oil changes lower the overheads and BlueTec® SCR diesel technology from Mercedes-Benz is providing for the future: Fitted with the engine type BlueTec® 5, the Zetros fulfils the exhaust emission standards for the time following Euro 5.



Performance-Diagram

■ Performance (kW) ■ Torque (Nm)



**Engine:**

- 7.2 l six cylinder in-line engine with intercooler (OM 926 LA)
- Performance 240 kW (Euro 5, as an option Euro 3)
- Torque 1,300/1,200 Nm at 1,600/rpm

Zetros		1833A/4x4/48	2733A/6x6/48
Engine		OM 926 LA – 6 cyl. inline	OM 926 LA – 6 cyl. inline
Power (Euro 5 ) <sup>1)</sup>	kW (hp)	240 (326)	240 (326)
Torque	Nm/revs	1,300/1,200 – 1,600	1,300/1,200 – 1,600
Clutch		GF 395 Kerasinter	GF 395 Kerasinter
Gear box (number of gears) <sup>2)</sup>		9 gears (8 + Crawler)	9 gears (8 + Crawler)
Transfer box (modes)		MB VG 1700 – 3 W/1.6	MB VG 1700 – 3 W/1.6
Axles		Planetary hub reduction axle	Planetary hub reduction axle
1st front axle		AL 7/52 DS-9	AL 7/52 DS-9
1st rear axle		HL 7/52 DS-13	HD 7/52 DS-13
2nd rear axle			HL 7/52 DS-13
Electrics	(V)	24	24
Fuel tank capacity	(l)	300	300
Steering		ZF 8098	ZF 8098

1) Euro 3 available 2) Automatic gearbox optional





# Trucks you can trust.

## The Zetros: Truck Expertise “Made in Germany”.

For over 110 years the name Mercedes-Benz has been synonymous with special trucks of the highest quality. At Mercedes-Benz Trucks we are proud of this history. It sets the standards and the responsibility for everything being designed under the sign of the star - both today and in the future. Also in Wörth, the largest truck plant in the world, where your Zetros will also be built. By choosing Zetros, you will be relying on a future-oriented concept which includes the chassis-powertrain technology of the Mercedes-Benz Truck product ranges which

has proved its worth almost a million times. And it also includes the unique promise: Trucks you can trust. Behind this promise stands our uncompromising focus on quality and reliability. Our aim is to make sure that our customers will be able to make maximum use of their vehicle also in future. “Trucks you can trust” is the guideline in all sectors of our company, from development, production and sales to service in our service stations. That is something you can really trust in.

### Benefit from

- over 110 years of experience with special trucks
- decades of off-road know-how
- chassis-powertrain technology - millionfold tried and tested
- quality “Made in Germany”

For Your Safety - Nearby:  
Mercedes-Benz Worldwide Service.





Basically, there is very little need for maintenance because of the reliability and durability of the Mercedes-Benz standard components used.

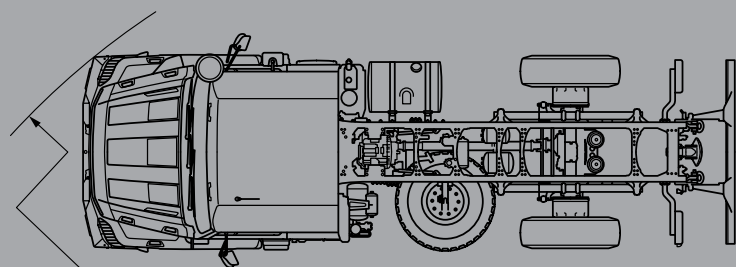
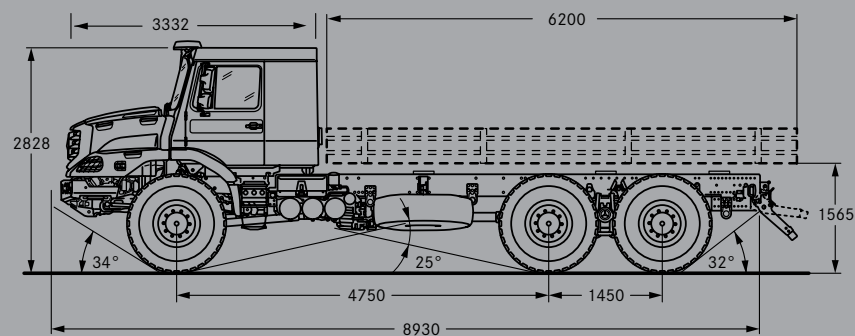
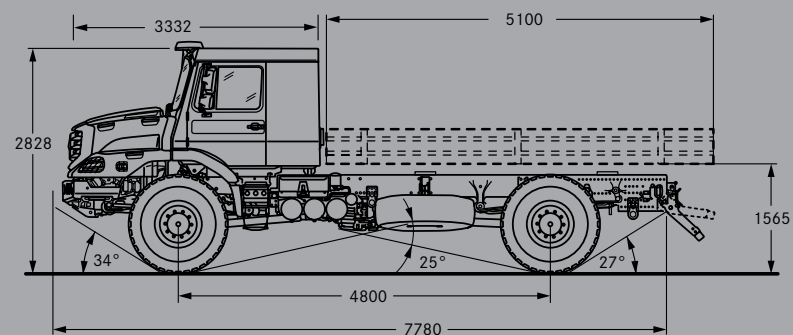
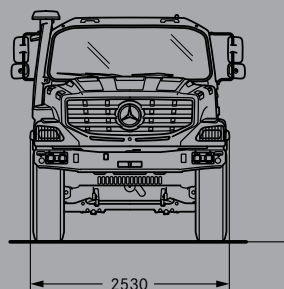
However, should any work be necessary, both engine and service units are easily accessible without tipping the cab, thus making servicing and maintenance work simple and quick – even a long way from service stations.

By making the parts used by the Mercedes-Benz Truck family as uniform as possible, the availability of spare parts at fair prices worldwide is also guaranteed for the Zetros.

Our highly-efficient Mercedes-Benz service network with over 5,000 stations in 160 countries guarantees fast and professional service.

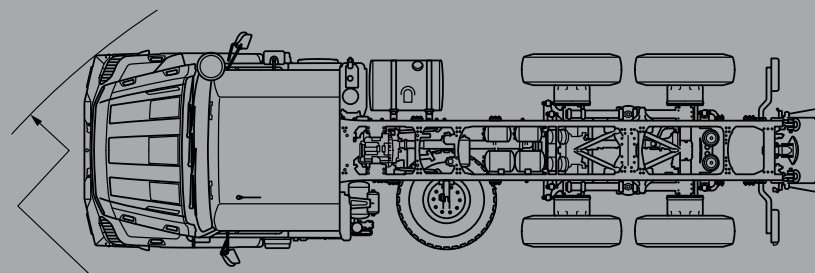
# Mercedes-Benz Zetros.

## Technical Data.



Ø 20,5 m

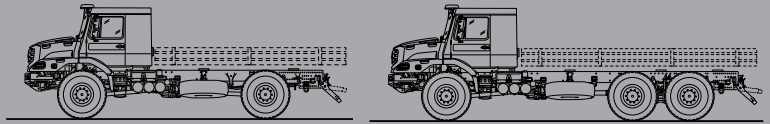
1833A/4x4/48



Ø 23,5 m

2733A/6x6/48

**Two or three axles.** Zetros 1833 A 4x4 with 4,800 mm wheelbase/Zetros 2733 A 6x6 with 4,750 mm + 1,450 mm wheelbase. The chassis weight is 8.1 t or 10.5 t and the max. weight is 16/18 t or 25/27 t. The standard flatbed version is 5.1 m or 6.2 m long. Other dimensions can be supplied on request. The dimensions in the sketches apply with a nominal load and the tire configuration 14.00 R 20.



Zetros		1833A/4x4/48	2733A/6x6/48
Engine		OM 926 LA – 6 cyl. inline	OM 926 LA – 6 cyl. inline
Power (Euro 5 ) <sup>1)</sup>	kW (hp)	240 (326)	240 (326)
Torque	Nm/revs	1,300/1,200 – 1,600	1,300/1,200 – 1,600
Clutch		GF 395 Kerasinter	GF 395 Kerasinter
Gear box (number of gears) <sup>2)</sup>		9 gears (8 + Crawler)	9 gears (8 + Crawler)
Transfer box (modes)		MB VG 1700 – 3 W/1.6	MB VG 1700 – 3 W/1.6
Axles		Planetary hub reduction axle	Planetary hub reduction axle
1st front axle		AL 7/52 DS-9	AL 7/52 DS-9
1st rear axle		HL 7/52 DS-13	HD 7/52 DS-13
2nd rear axle			HL 7/52 DS-13
Electrics	(V)	24	24
Fuel tank capacity	(l)	300	300
Steering		ZF 8098	ZF 8098
Suspension		Leaf springs	Leaf springs
Brakes		Drum	Drum
Wheel size (tire/rim) <sup>4)</sup>		14.00 R20 (10.00 V 20) <sup>4)</sup>	14.00 R20 (10.00 V 20) <sup>4)</sup>
Drive configuration		4x4	6x6
Wheelbase	(mm)	4,800	4,750 + 1,450
Unladen weight (without body)	(kg)	8,077	10,500
Gross vehicle weight	(kg)	18,000 <sup>3)</sup>	27,000 <sup>3)</sup>
Max. wt on front axle	(kg)	7,500 (9,000) <sup>5)</sup>	7,500 (9,000) <sup>5)</sup>
Max. wt on rear axle	(kg)	9,000 <sup>6)</sup>	2 x 9,000 <sup>6)</sup>
Approach angle	(°)	34 / 27	34 / 32
Turning circle	(Ø m)	20.5	23,5
Standard Platform (length/width/side height)	(mm)	5,100/2,450/500 <sup>7)</sup>	6,200/2,450/500 <sup>7)</sup>
Fording depth	(m)	0.8 (1.19) <sup>8)</sup>	0.8 (1.19) <sup>8)</sup>
Speed at 75% max. rpm	(km/h)	89	89

**Further options:**

Retarder, CTIS (Central Tire Inflation System), Automatic  
Transmission, Winches, Torsion-free platforms

- 1) Euro 3 available
- 2) Automatic gearbox optional
- 3) GVW (Gross vehicle weight max)
- 4) Alternatives available
- 5) Optional
- 6) Depending on rim/tire
- 7) Other dimensions on request
- 8) Tire configuration 14.00 R 20

**Concerning the details in this brochure:** the products may have undergone slight changes after the editorial deadline of this brochure. We, the manufacturers, reserve the right to make any constructional changes, design alterations, colour modifications as well as changes to the scope of delivery during the delivery period, as long as the changes or modifications are not unreasonable for the customer. The salesman and/or manufacturer are not legally bound as long as they describe the order or the ordered articles with symbols or numbers. The pictures in this brochure may also contain accessories or special fittings that do not belong to the standard scope of delivery. Colour modifications are due to typographical causes. This printed matter may also contain models and customer services which are not available in individual countries. Statements concerning statutory, legal and tax regulations and the implications thereof are only valid for the Federal Republic of Germany prior to the deadline of this brochure. Please consult your Mercedes-Benz Partner with respect to the latest binding regulations and stipulations and their implications. [www.mercedes-benz.com/zetros](http://www.mercedes-benz.com/zetros)