



The new Actros

Long-distance transport. 18 - 44 tonnes gcw



Mercedes-Benz
Trucks you can trust

Contents

Comfort	7 – 22
Working comfort	9 – 12
Living and sleeping comfort	13 – 20
Cab comparison	21 – 22
Economy	23 – 34
BlueEfficiency Power	25
Low consumption	26 – 27
Engine and exhaust gas technology	28 – 29
Profitable total solutions	30 – 34
Driving dynamics	35 – 42
Powertrain system	37 – 38
Frame, chassis, suspension	39 – 40
Assistance and safety systems	41 – 42
Sector-specific vehicle concepts	43 – 48
Actros Loader	45 – 46
Actros Volumer	47 – 48
Services	49 – 60
FleetBoard®	51 – 52
Mercedes-Benz services	53 – 54
Mercedes-Benz Financial Services	55 – 56
Further services	57 – 58
Genuine accessories	59 – 60
Technical data	61 – 76
Cab variants	61 – 66
Tank variants	67
Engine performance data	68
Model overview	69 – 76
The most important facts in brief	77 – 78





The new Actros. Welcome to a new dimension

Anyone wanting to stay ahead needs vehicles which meet this standard in every respect. In order to be able to offer you a vehicle that is optimal for long-distance transport both today and in the future, and in view of the constantly increasing demands where comfort, economy, driving dynamics and variety are concerned, we decided to completely redevelop and rebuild the Actros.

The result is a truck that puts everything that has gone before it in the shade. With its new cabs it offers you maximum comfort. You will be more profitable than ever before when out on the road in it, thanks to many fuel-saving technical innovations and expertly coordinated services. It is easier and safer to drive and more outstandingly capable than any other truck that's gone before. It offers a perfectly configured vehicle for just about every application in long-distance transport, thanks to the vast range of equipment, appointments and model variants. Climb in and experience the new dimension of long-distance transport.



Perfectly tailored to the demands of the future – and, therefore, to yours too

From the front apron and the radiator grille right up to the roof: the striking exterior design with its specific long-distance transport style also lends the newly developed Actros a new dimension in visual terms, whilst documenting its inner strengths to impressive effect. Take, for example, the light and friendly ambience and the clear distinction between the workplace and the living area. With its cabs geared to various operating profiles the new Actros opens up hitherto unattained dimensions of working, living and sleeping in long-distance transport. All 2500 mm wide cabs come with a level floor as standard. The headroom between the seats is as much as 2.13 m. What's more, there is considerably more room and stowage space than in the predecessor model. Depending on their intended end use, the 2300 mm wide cabs can optionally be fitted with a level floor throughout or with an engine tunnel in two different heights.

In order to make the new Actros a highly economical truck it has been equipped with many innovative and consumption-reducing features, and with particularly frugal engines: the Euro V model has up to 7% lower consumption than its predecessor. In addition to Euro V

and EEV, the new Actros is one of the first vehicles on the market with engines which already meet the requirements of Euro VI – giving a consumption advantage of up to 4% over the Euro V model. And available is a brand new feature: Predictive Powertrain Control, an innovative system which takes into account the road ahead when changing gear, allowing for any inclines, and in so doing can reduce consumption by a further 3%.

Alongside the innovative technology on board the new Actros, services tailored to your needs also help to keep overall costs particularly low: they range from the telematics-based FleetBoard® system and Service Contracts, through attractive finance and leasing solutions to driver training courses for a driving style that cuts consumption – all measures which result in fewer costs and increased profit.

For an incomparably good driving feel we have given the new Actros a new innovative rear axle guide, a steering system with a precise response and a wider, tauter frame. The engines are characterised by their immediate response and are available in three displacement capacities and a total of 13 output categories from 175 kW (238 hp) to

375 kW (510 hp). In conjunction with the standard-specification Mercedes PowerShift 3 automated transmission and additional driving programs they ensure economical driving enjoyment. Plus the new Actros puts many other benefits firmly on the road, such as freely selectable frame overhangs for better body-mounting ability and an extended range of wheelbases. A tank volume of up to 1420 l in the case of tractor units and flexible combination options where the individual tanks are concerned, increase suitability for various operating profiles further still. In short, with the new Actros you have at your disposal a vehicle which is perfectly tailored to your requirements for practically any application in long-distance transport. Discover all this on the following pages, or pay a visit to your local Mercedes-Benz dealer.



The new dimension of comfort

True greatness right down to the smallest detail – the newly developed Actros completely redefines terms such as freedom of movement, sense of spaciousness and atmosphere, without losing sight of the driver's day-to-day circumstances. In short: working, living and sleeping comfort in a totally new dimension.

A modern workplace, an attractive living area and at the same time room for restful sleep – the redesigned cabs for the new Actros meet this standard in every respect. This is especially true of the GigaSpace. It offers an exciting way of experiencing the new dimension in long-distance transport, with its impressive headroom¹⁾ of 2.13 m, for instance, and the excellent ratio of stowage capacity and freedom of movement. The new Actros sets benchmarks where its width is concerned, too, because the variants with a width of 2300 mm are available with a level floor throughout as an option. And all variants offer generous headroom.

Better ergonomics with practical solutions was the remit when it came to creating the new workplace – and what sounds so simple and feels so good when out on the road is actually the result of a whole series of finely matched components – in both ergonomic and functional terms.

These include the new cockpit, the new seats and the new multifunction steering wheel. Everything can be operated intuitively and is precisely tuned to workflows in long-distance transport. Crucial factors for the pleasant atmosphere in the new Actros are the homely interior design with its friendly colour concept, the clear design idiom and the high-quality, perfectly processed and easy-to-clean materials, plus the clear separation of workplace and living area. The well-thought-out living concept ensures maximum relaxation during breaks. Restful sleep comes courtesy of newly developed beds, whilst numerous practical details and optional interior designs increase wellbeing and add a very personal, individual touch to the new dimension when it comes to cab comfort.

¹⁾ Headroom between the seats



The optionally available multifunction key offers all the functions of an extended central locking system and also facilitates operation of the level control and the tyre pressure monitoring system. It also serves as a remote control for the radio, auxiliary heating and auxiliary air conditioning and makes the daily bulb check easier

Comfort and work – a matter of course, as far as we’re concerned – not a contradiction in terms

Wellbeing in the workplace. This is one of the fundamental prerequisites for relaxed driving. And the result of the process in which the driver’s workplace in the new Actros was developed.

Climb in, take a seat and drive off. The workplace in the new Actros impresses with its perfect ergonomics, the good accessibility of all the controls and many details which ensure that work is simply easier.

As of now, pleasure at work begins as soon as the engine is started, because the new Actros has a start/stop button. This increases convenience, while at the same time the immobiliser fitted as standard increases protection against theft. An optional multifunction key can also be used as a remote control for lots of other settings and functions – at a distance of up to 100 m from the new Actros. Further details in the completely redesigned workplace are the cockpit oriented towards the driver, the new instrument cluster and the standard-specification multifunction steering wheel, which has a much larger adjustment range than that in the predecessor. All the switches and stowage compartments are clearly arranged and within easy reach for the driver. As a special detail, the standard-fit automated transmission is conveniently operated via the right-hand steering-column lever. With its graphics-capable 10.4 cm TFT colour display and many new functions and readouts, the new instrument



The newly designed workplace with its cockpit that is ideally suited to the driver’s needs offers excellent working conditions, for everything is arranged ergonomically and within easy reach for the driver: from the engine start/stop button and the switch in the instrument support, to the gearshift which can now be operated via the steering-column lever. The multifunction steering wheel can be adjusted via a foot-operated switch and moved to a virtually vertical position for climbing in and out. In short: everything ensures that drivers can concentrate on their work in a relaxed manner

cluster - which also comes as standard - facilitates fast, comprehensive - not to mention extremely clear - display of all the readings. These include information from the FleetBoard® EcoSupport¹⁾, from three trip computers or shift data for two drivers. The straightforward, intuitive menu navigation, non-reflective legibility and the simplification of the departure check routine are further characteristic elements of the new instrument cluster. As an option an instrument cluster with a 12.7 cm TFT colour display and a variant with a video function are available. The latter can also display the images from an additionally connectable reversing camera. They all have in common the fact that their fundamental functions

can be controlled via the new multifunction steering wheel: telephone calls can be taken, for example, driver assistance systems activated and deactivated, and radio settings changed. This makes for considerably more safety and operating comfort, ensuring that work and comfort go hand in hand in the new Actros.

¹⁾ Independent from the telematics system FleetBoard®



Intuitive operation, easier to climb in and out - with its enlarged adjustment range and eight control buttons on both the right and left, the new standard-specification multifunction steering wheel offers outstanding working comfort. As an option it is also available in leather or a wood/leather combination



The new instrument cluster with a graphics-capable 10.4 cm TFT colour display adds tangibly more ease of operation. A variant with a 12.7 cm TFT colour display can be ordered as an option



Thanks to the simple, intuitive menu navigation, the new, non-reflective instrument cluster shows all the important information quickly and easily. Numerous settings can also be adjusted here. Operation is via the buttons on the new multifunction steering wheel

All the seats in the Actros have been completely redeveloped. As a result, the adjustment range both lengthwise and for height is larger, the controls are arranged intuitively and in such a way that they are easily legible, whilst the seat cushions define a new benchmark in long-distance transport, being 40 mm wider than those in the predecessor model. The suspension seat impresses with its good seating comfort and many setting options. All of our long-distance cabs feature the ex-factory comfort suspension seat with a velour seat cover as standard. It also boasts integral belt-height adjustment, shoulder adjustment and a greater adjustment range for the seat cushion inclination – all of which were not present in the previous model. As an option it is available with covers made of flat-weave cloth, man-made leather, high-quality leather or Dinamica star – a man-made alternative to suede. Maximum seating comfort comes courtesy of the new climatised suspension seat, which diverts heat and moisture from the seat in a targeted manner, and whose covers are characterised by very good climatic properties. On request the comfort and climatised suspension seat are available with a back-massage function and a leather seat featuring sophisticated workmanship. But the new Actros also shows what makes an optimum workplace with a range of details, such as the optional, upholstered armrest on the driver's door¹⁾, and the practical stowage compartments, perfectly positioned within reach of the driver's seat and just the right shape and size for the objects that need to be stored. There is a wide choice of radios. All the radios have a USB and Aux-in interface for connecting other devices. The standard unit includes CD and Bluetooth connectivity. There is an option which includes navigation and an excellent sound system with eight loudspeakers including a subwoofer²⁾ which meets the most discerning requirements.



The comfort suspension seat and the climatised suspension seat with a massage function are available to prevent tension. Seven air cushions are inflated and then deflated again one after the other, producing a wave running from bottom to top which massages the driver's back



The new comfort suspension seat, with its multiple individual adjustment options, provides excellent seating comfort thanks to features such as the new shoulder adjustment function and the optimised seat cushion inclination adjustment

The new heating system creates an optimum working climate thanks to several innovations: for example, the cab can be heated using the standard-specification hot-water auxiliary heating. Optionally available is the innovative residual engine heat utilisation, which provides cosy heat for up to two hours after the engine has been switched off without using any additional fuel. An optional hot-water auxiliary heating system is also available which can heat both the cab and the engine, as required. All the cabs are equipped with an air-controlled heating and air conditioning system. Automatic climate control is also available for all cabs as an option.



The climatised suspension seat provides outstanding seating comfort – by reducing heat and moisture. The Dinamica star covers are available in either anthracite or anthracite/beige

The optionally available auxiliary air conditioning²⁾ enhances comfort during breaks and overnight stops. Driving for three and a half hours gives up to seven hours of cooling inside the cab without the need to run the engine.

¹⁾ Supplied as standard in conjunction with Home-Line and Style-Line

²⁾ Available with the level floor

³⁾ Headroom between the seats



From the digital operating instructions to the truck-specific dynamic route guidance with Mercedes-Benz truck navigation – the optional radio/navigation system with Bluetooth leaves nothing to be desired when it comes to support for the driver and entertainment



An outstanding working climate – in the new Actros all the cabs are equipped as standard with an air-controlled heating and air conditioning system which is characterised by its immediate response and facilitates draught-free ventilation thanks to the diffuser vent located in the instrument support. Options available to enhance cab comfort include automatic climate control and auxiliary air conditioning²⁾



Working comfort – advantages at a glance

- Eleven cab variants with a width of 2300 mm or 2500 mm
- Impressive headroom³⁾ of up to 2.13 m
- Level floor also for cabs with a width of 2300 mm as an option
- Completely newly developed seats
- Comfort suspension seat and climatised suspension seat with a massage function as an option
- Ergonomically styled driver's workstation with a new design
- Multifunction steering wheel which can be operated intuitively
- New easily legible instrument cluster with a 10.4 cm TFT colour display
- Optional instrument cluster with a 12.7 cm TFT colour display and a video function
- Choice of radios, extensive multimedia range including truck navigation, sound system on request
- Innovative air-controlled heating and air conditioning system, with hot-water auxiliary heating
- Optional innovative residual engine heat utilisation system
- Optional multifunction key
- Optional hot-water auxiliary heating for the engine and cab

Lying down, sitting, standing – it all just gets more comfortable from here

The new Actros brings to the road everything you've previously had to do without in the way of living comfort in long-distance transport – and everything you won't ever want to miss again.

Freedom of movement aplenty, lots of stowage space, maximum functionality and a pleasant atmosphere throughout – where living comfort is concerned, too, the new cabs for the Actros leave virtually nothing to be desired. In short: during breaks the new Actros offers drivers far more headroom than is usual and a huge amount of legroom when they are sitting down. Thanks to the folding table on the underside of the bed with an integral cutlery compartment and an optional refrigerator, drivers will be less dependent on service stations. A few simple steps are all it takes to convert the area from a living room to a bedroom. The standard-fit comfort bed on the bottom can be folded against the rear panel of the cab. The comfort mattress – which also comes as standard – is made of cold foam with 7 zones, so drivers can look forward to an excellent night's sleep. The multi-zone PremiumComfort cold-foam mattress is available as an option. An optional 600 mm-wide

upper bed can be folded up by 90° in the GigaSpace for optimum freedom of movement. With many individual equipment items that are available on request the new Actros not only offers optimum working and living comfort – it also ensures that the needs of the driver and any co-drivers are taken care of.



All cab variants combine a generous sense of spaciousness and superb home comforts for working, resting and sleeping



Mercedes-Benz

A better way of life when out on the road, too – as of now

At first glance – and after thousands of kilometres: the new interior design with the well-thought-out living concept ensures maximum relaxation during breaks. What's more: it even makes it possible for drivers to unwind at crowded service areas.

The new Actros stands for a new dimension of living comfort – because the drivers' best interests lay at the heart of the development process for the new cabs: it wasn't only more room and more stowage space that were the focus of attention – it was all about the effective, functional interplay of both. Then it was necessary to select colours and materials which underline this philosophy to optimum effect – both to the touch and visually. By way of example, the light colour scheme makes for a totally new, pleasant sense of spaciousness, whilst at the same time emphasising the distinct separation of the workplace and living area. And to ensure that everything stays looking this good for a long time, only high-quality, easy to clean materials have been used.

The optionally available Home-Line and Style-Line interior designs highlight the spacious ambience and increase the individual feeling of wellbeing with lots of details inside and outside the cab.



A dazzling appearance – the optionally available Style-Line interior design featuring chrome-look trim parts lends the cab an up-to-the-minute ambience. From the door handles and the edging around the air vents to the steering-column switch, the trim strips in the instrument support, the instrument cluster's white backlit graduated rings and the multifunction steering wheel – everything blends into a harmonious whole. Eye-catching flair on the exterior comes courtesy of the chrome strip on the sun visor, the chromed exterior-mirror cover and the illuminated Mercedes star

High comfort is also reflected in lots of small details, such as the standard-fit sockets in the instrument support, in the co-driver's footwell and behind the driver's seat, which can be used for plugging in additional items of electrical equipment such as a television set or coffee machine. More sockets are available on request. The comfort-enhancing details also include the new standard-specification step lighting¹⁾, which makes entering the vehicle easier and safer, plus the optional ambience lighting. This subtle, blue interior lighting has a total of 14 illuminated points on the cab's roof lining, on the instrument panel and in the footwell to ensure a particularly cosy effect, not to mention better orientation

during overnight stays or when driving through the night. Details like the folding table on the co-driver's side which can be integrated into the instrument support as an option also take account of the driver's need for optimum living comfort. Meanwhile three different Comfort Packs, all very favourably priced and available ex factory, make it possible to fit the cab of the new Actros with many more comfort-oriented features. The Top Comfort Pack, for example, comprises 16 items of equipment in total, including the refrigerator with a capacity of 36 l, an electric pop-up roof, sunblinds for the side windows, the ambience lighting mentioned above and last but not least the automatic climate control.

¹⁾ In conjunction with cabs with a level floor



With the Home-Line interior design the new Actros offers another opportunity to add a personal touch to the cab. In addition to the leather steering wheel with wood appliqué sections, the specification includes the wood trim strips in the instrument support and door pulls in wood. Combined with the interior colour almond beige the Home-Line creates a warm and extremely homely atmosphere



Blue light for a heightened feeling of wellbeing – the optional dimmable ambience lighting brings an especially pleasant form of illumination to the cab during journeys at night or overnight stays

A new dimension of stowage space. For a new dimension of free space

Space and stowage space galore – for applications in national and international long-distance transport.
For one or two drivers – and to meet the most discerning standards.

Quality and quantity – anyone who spends a lot of time out and about on the road needs their own free space – and space for the essentials that are on board during long journeys. This is why the new cabs for the Actros offer more interior capacity, more stowage space and more freedom of movement than their predecessors. What's more, there is now up to 2.13 m of headroom between the seats. The GigaSpace, the BigSpace and the StreamSpace cab have three large stowage compartments above their windscreens, of which the right-hand compartment contains an extendable, tilting shaving mirror as standard. The hinged-lid stowage compartments are illuminated on the inside, fitted with anti-slip felt and, in the case of the StreamSpace cab with a width of 2300 mm, for instance, they provide approximately 137 l of stowage space. The open stowage facilities directly beneath them round off the varied range of stowage space available, ensuring that things are kept even tidier.



With its huge amount of stowage space the GigaSpace cab even offers two occupants enough room for storing everything they need to take with them. The stowage compartment concept above the windscreen not only offers outstanding stowage capacity, it also provides previously unattained freedom of movement. As standard the three large stowage compartments are illuminated on the inside and fitted with hinged lids. As an option a reinforced, break-in-resistant valuables compartment can also be integrated on the co-driver's side

The stowage compartments in the cabs with a width of 2500 mm offer yet more comfort and more stowage space. They combine maximum headroom with an impressive stowage capacity above the windscreen in the GigaSpace cab. For a better overview and more flexible use of the stowage space, the centre compartment in the GigaSpace and BigSpace cab can be equipped with an optional additional shelf. A lockable hinged lid or an anti-theft compartment for valuables add further scope for safe storage as an option. As well as the generous amount of stowage space above the windscreen, cabs with a level floor include a drawer beneath the instrument support as standard, creating further easily accessible space for

storing things. A second, lower drawer is optionally available. For cabs with a 170 mm engine tunnel a drawer is available on request. Additionally, for the Actros with an engine tunnel, an open storage tray with cupholders, a high-level closed stowage compartment and a refrigerator on the engine tunnel with a volume of 25 litres are also available. Plus, there are other practical details available for all the cabs, helping to ensure that the available space can always be used effectively and to suit individual requirements.

¹⁾ Optional equipment



The optionally available folding table for the co-driver's side is integrated into the instrument support. It can be folded out and in again in next to no time – very handy for working or eating at



The notebook fixture provides a secure surface for laptops and can be easily stowed away in the open space above the windscreen or in the side panel on the co-driver's side. The laptop can be connected to the Actros's loudspeakers via an aux-in connection¹⁾, to give excellent sound when watching a DVD, for example



An outstanding aerodynamics/stowage capacity ratio – above the windscreen of the 2300 mm wide StreamSpace cab with a level floor, three open stowage compartments – all lined on the inside and with a total stowage capacity of 137 l – offer space galore. As an option the large stowage compartment is also available with a lockable hinged lid. For yet more safety a break-in-resistant valuables compartment can be fitted here too on request

More stowage space – all the cabs with a level floor have two illuminated stowage compartments which are accessible from the inside and outside and have a capacity of up to 420 l. The outer stowage compartment flaps are designed so that even large drinks crates can be loaded through them. As part of the standard specification, one or two – depending on the cab width – easily accessible drawers with a capacity of up to 138 l are integrated into the centre section beneath the bed. As an option a refrigerator can also be included here. In conjunction with a level cab floor the refrigerator, which is in easy reach of the driver's seat, has a capacity of 36 l, and 26 l in the case of vehicles with an engine tunnel. A luggage rack available as an optional extra, or the stowage nets available on request for the rear panel, as well as for the side wall

adjacent to the upper bed, increase stowage capacity further still. The beds have been completely redeveloped and they too offer plenty of space, which means lots of comfort. In the cabs with a width of 2300 mm the comfort bed on the bottom is 750 mm wide, and 2000 mm long. In the cabs with a width of 2500 mm the bed's width is 750 mm and the length 2200 mm. The lower comfort bed's back section can be raised in stages to allow a customised resting position. For applications requiring two drivers, a 750 mm wide comfort bed with levelling control is available on request for the top. Simply practical: an upper comfort bed with a width of 600 mm available as an option can be folded out during the journey. For a really good night's sleep the new beds are fitted as standard with the 110 mm-thick comfort mattress made of cold

foam and with 7 zones. And for even more comfort when lying down and sleeping the PremiumComfort mattress is available as an option. To create an excellent climate for sleeping it is equipped with a vertical tube system of cold foam – this includes various hardness grades all over for optimum comfort when lying down. All the mattress covers are suitable for people who suffer from allergies. Further comfort features of the new-generation beds include the good rear ventilation through a mesh fabric and the enduring quality.



The 2500 mm wide cabs have two spacious, smooth-running drawers as standard, one of which is available as a refrigerator – for a supply of cooled food – and drinks bottles, which can be transported in an upright position



In cabs with an engine tunnel a practical drawer with a capacity of 51 l is housed in the centre section beneath the bed. As an option a refrigerator with a capacity of 26 l is also available



With a stowage capacity of up to 420 l the two stowage compartments under the bed offer plenty of room even for bulky items. They are accessible from both the inside and outside. As an option two sliding and removable stowage trays can be included for smaller items of equipment so that better use can be made of the space available



The optionally available upper comfort bed is practically every bit the equal of the standard-specification comfort bed on the bottom. It has a length of up to 2200 mm and a width of 750 mm. The 110 mm-thick comfort mattress made of cold foam with 7 zones ensures a high level of comfort when lying down, as does the PremiumComfort mattress available on request. For a comfortable sleeping position this bed features levelling control (adjustable by approx. 10°) and with the aid of an integral spirit level it can be quickly adapted to an uneven parking area. As an option a 600 mm-wide comfort bed is also available instead of the wide upper comfort bed



Up to 750 mm wide and 2200 mm long – the dimensions alone speak volumes where the standard-fit comfort bed on the bottom is concerned, promising particularly high levels of comfort for relaxing and sleeping. The comfort mattress that comes with it also does its bit. As an option and for an even better sleeping environment the PremiumComfort mattress can be ordered. The comfort bed on the bottom has an adjustable back section for adapting to different positions. The standard-specification curtain all round, a reading lamp, plus controls for the radio, light, pop-up roof, plus the auxiliary heater and auxiliary air conditioning enhance drivers' comfort even further during rest and sleep



Living comfort – advantages at a glance

- High-quality, attractive interior design
- Clear distinction between workplace and living area
- Up to 920 l more capacity than the Actros Megaspace cab
- Outstanding stowage capacity above the windscreen
- Stowage compartments beneath the bed with a capacity of up to 558 l
- Newly developed beds with a length of up to 2200 mm and a width of up to 750 mm
- Optional upper comfort bed with level control and a width of 750 mm
- Optional upper comfort bed with a width of 600 mm
- 7-zone comfort mattress as standard
- PremiumComfort mattress as an option
- Additional comfort-enhancing equipment: for example the Home-Line and Style-Line interior designs
- On request: folding table integrated into the instrument support for the co-driver's side
- Optional refrigerator with a capacity of up to 36 l
- Comfort Packs



Because we don't believe in compromises: cabs matched to operating profiles

Thanks to its width of 2500 mm and 2300 mm and a length that is greater than that of the predecessor and now measures 2300 mm, the new Actros with the CompactSpace, ClassicSpace, StreamSpace, BigSpace and GigaSpace cabs offers an optimum answer for virtually all demands relating to space, equipment and comfort.

Better tailored to operating profiles, more comfort – with a total of five roof shapes, two widths and various cab heights the eleven cab variants for the new Actros offer the optimum basis for drivers to perform outstandingly in long-distance transport.

The ClassicSpace cab is designed for regional long-distance transport and has a width of 2300 mm and an engine tunnel with a height of 170 mm or 320 mm. It is also available with a level floor as an option.

The 2300 mm-wide StreamSpace cab is designed for applications involving one driver in national long-distance transport. In addition to the variants with a 170 mm or 320 mm engine tunnel, it is available as an option with a level floor throughout, giving it a headroom¹⁾ of 1.97 m. It has over 100 l more capacity and 70 l more stowage capacity than its predecessor. The StreamSpace cab is also available with a width of 2500 mm and a level floor – providing even more freedom of movement and more stowage space for applications in international long-distance transport. Thanks to its low wind resistance, the StreamSpace cab makes an important contribution to the particularly low fuel consumption and, compared



The GigaSpace cab: with a width of 2500 mm, a level floor throughout and headroom¹⁾ of 2.13 m, it is the largest and most comfortable cab for the new Actros and meets the requirements of international long-distance transport in every respect



The StreamSpace cab with a width of 2500 mm combines particularly fuel-saving aerodynamics with an outstanding amount of room and stowage space – ensuring the optimum blend of comfort and economy for applications in international long-distance transport

to the other Actros cab types, offers the best balance between aerodynamic and living comfort considerations. The BigSpace cab with a level floor, headroom¹⁾ of 1.99 m and width of 2500 mm is very well suited to international routes. Its characteristic features are great freedom of movement and plenty of stowage space, translating into 5700 l of interior capacity and 890 l of stowage capacity. Only the GigaSpace cab can offer more space and comfort. It has been designed for international long-distance transport and offers an optimum amount of stowage capacity to meet the needs of two-driver crews. With 920 l more capacity, 50 l more stowage capacity and headroom¹⁾ of 2.13 m it not only has a more generous

sense of spaciousness than was the case in the Actros Megaspaces cab – there is also a lot of extra room for everything that has to travel on board. The 2300 mm wide CompactSpace cab with flat roof and 170 mm or 320 mm engine tunnel is extremely well-suited for deployment as a car transporter. There are numerous additional items of equipment optionally available for all the new Actros cabs to make the working and living space even more comfortable and individual.

¹⁾ Between the seats



The StreamSpace cab has been specially optimised for low consumption. With a width of 2300 mm, an optional level floor and its 1.97 m headroom¹⁾ it helps ensure greater economy in national and international long-distance transport – without having to relinquish any comfort



The ClassicSpace cab has a width of 2300 mm and an engine tunnel with a height of 170 mm or 320 mm. It is characterised by its excellent suitability for operating profiles in regional long-distance transport



Cab variants – advantages at a glance

- Five cabs: CompactSpace, ClassicSpace, StreamSpace, BigSpace and GigaSpace
- Two cab widths: 2500 mm and 2300 mm
- Eleven cab variants for deployment in national and international long-distance transport
- Standard-specification level floor in cabs with a width of 2500 mm
- Level floor on request for cabs with a width of 2300 mm
- Impressive maximum headroom¹⁾ up to 2.13 m
- Uniform cab length of 2300 mm
- All cabs have more interior capacity and more stowage capacity than the predecessor model series





The new dimension of economy

We called everything into question when developing the new Actros, the result being achievements such as a significant reduction in fuel consumption, thanks to BlueEfficiency Power. Another consequence can be seen in the particularly low overall costs through closely meshed services which have been specially tailored to the new Actros, such as the Mercedes-Benz telematics system FleetBoard®, which is fitted as part of the standard specification. All these measures have a common objective: to increase your profitability.

With up to 7% less fuel consumption than its predecessor, the new Actros with the new Euro V in-line is an extremely economical vehicle on the road. The Euro VI engines also set standards – with up to 4% less consumption than their predecessors with a Euro V engine. The new Euro VI engines are available in three displacement capacities and a total of 13 output levels, from 175 kW (238 hp) to 375 kW (510 hp). Through the interaction of these newly developed engines with a whole host of further innovative solutions, the new Actros sets benchmarks where economy is concerned. Consumption-reduced auxiliary consumers, for instance, also contribute to the significant saving, as do the optimised Mercedes PowerShift 3 automated transmission, the sophisticated aerodynamics and the optional, innovative Predictive Powertrain Control assistance system.

An extremely profitable global solution – to enable you to exploit the technical potential of the new Actros to an even better degree we are attaching a lot of importance to the increased networking of trucks and services: the “Efficiency Tool” symbolises the various services which have been specially tailored to the newly developed Actros, helping to achieve particularly low overall costs and therefore a very profitable global solution. Examples include the use of state-of-the-art telematics solutions as standard, a comprehensive service contract, favourable terms and conditions for leasing and financing with high residual values plus consumption-reducing training measures. In everyday terms this all adds up to low overall costs and more profitability for you – right from day one.



The “Efficiency Tool” – through the successful combination of innovative vehicle technology and custom-designed services you will be more profitable than before when your new Actros is out on the road

BlueEfficiency Power. Save fuel. Help to reduce impact on the environment

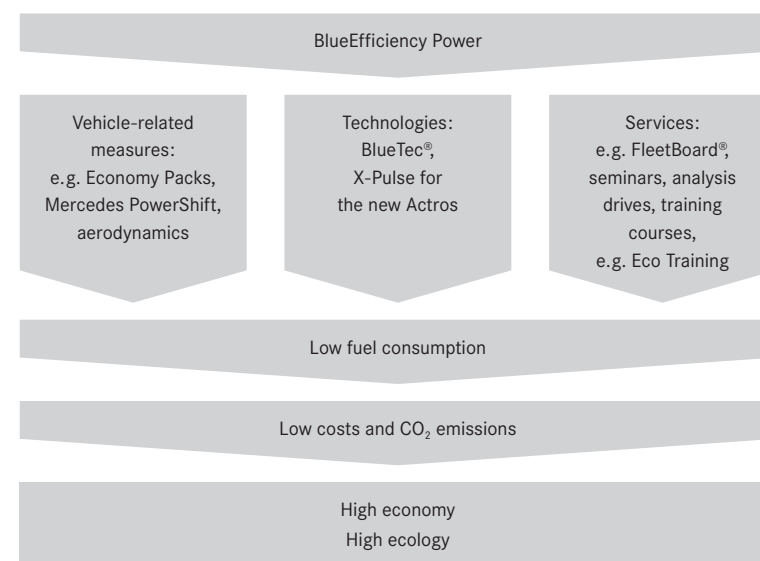
The new Actros brings to the road many innovative solutions which cut consumption and CO₂ emissions considerably – the basis being BlueEfficiency Power from Mercedes-Benz Trucks. The brand stands for technologies such as BlueTec[®], which reduce fuel consumption and CO₂ emissions, for consumption-optimised measures on the new Actros itself and for services which help to lower diesel consumption further still. In short: save fuel. Help to reduce impact on the environment.



BlueEfficiency Power makes a difference wherever fuel can be saved and therefore CO₂ emissions reduced. The X-Pulse injection system, for example, ensures that fuel is combusted extremely efficiently and with low emissions. But BlueEfficiency Power means more than this – for instance, the objective “less consumption and fewer CO₂ emissions” was achieved when the new Actros was being developed, thanks to extensive vehicle measures: alongside the new frugal in-line engines, the new Mercedes PowerShift 3 automated transmission and the optimised aerodynamics, there are a lot of innovations and optimised technical solutions which save diesel and therefore reduce CO₂ output.

A further element of BlueEfficiency Power also draws on the efficiency-enhancing effect of services. These include FleetBoard[®], Mercedes-Benz DriverTraining, plus seminars, training courses, advice and analyses. What we always aim to do here is to be on hand as your competent and reliable partner, providing you with tips relating to fuel consumption and the environment – today and in the future.

BlueEfficiency Power at a glance



BlueEfficiency Power. Comprehensive vehicle measures, technologies and services which result in lower consumption and therefore reduce impact on the environment

Many innovations – one objective: less consumption

Up to 7% less fuel consumption with Euro V and up to 4% less with Euro VI – these are the pioneering fuel savings made possible by the new Actros compared to its predecessor. It is not just the completely redeveloped engines that make this possible – there are many other optimised components which contribute directly and indirectly towards lower consumption. The innovative assistance system Predictive Powertrain Control enables further fuel savings of up to 3% to be made.

From the engine, transmission and axles to the auxiliary consumers, wind and rolling resistance – no stone was left unturned to cut consumption when the new Actros was being developed. Alongside the frugal in-line engines and the higher engine cooling capacity, other factors contributing to lower consumption include a wider choice of rear axle ratios matched to various operating profiles offered as standard. The optionally available, innovative Predictive Powertrain Control system integrates an additional mode to the automatic transmission system that adapts to the topography of the road ahead: drawing on satellite positioning technology and a 3D map, the system identifies the road ahead and any upcoming inclines and reacts accordingly by optimising gear-shift points and cruise control speeds in anticipation of these topographical changes. This can result in additional fuel savings of up to 3%. An economical driving style is further supported by reduced gear-shift times and the “economy” and “fleet” driving modes.

The savings potential from auxiliary consumers has also been exploited: the on-demand compressed-air control system, for example, saves fuel when decelerating through

well-directed provisioning. The power-steering pump makes savings because the support it provides is controlled in accordance with the speed. The optional innovative residual engine heat utilisation system also saves fuel. With the optional hot-water auxiliary heating, the engine and cab can now also be heated separately and therefore more economically. The design of the cabs has been optimised right down to the smallest detail to give reduced wind resistance. Aerodynamic detachable body parts which can be ordered on request cut consumption even further. The new Actros can be equipped with a tyre pressure monitoring system – as tyre pressure that is too low can result in up to 4% more fuel consumption. And the super-wide tyres available on request for the drive axle on 4 x 2 tractor units reduce the rolling resistance further still. With up to 7% less consumption than its predecessor in the case of Euro V and up to 4% less in the case of Euro VI, in technical terms the new Actros offers the best preconditions for more profitable operation than any model before it.



The consumption-optimised two-stage air compressor with power loss-optimised idling is just one of many examples which contribute to the new Actros's low consumption. Its lower weight and higher reliability are further advantages



The new standard-fit radiator shutter improves aerodynamics when closed, saving diesel. It is opened or closed depending on the engine's cooling requirements



The optionally available tyre pressure monitoring system contributes towards a longer operating life for the tyres, a reduced risk of breakdown and lower consumption. If your tractor unit is fitted with a corresponding sensor system you can monitor the tyre pressure of the entire vehicle combination



Sophisticated aerodynamics – for extremely low wind resistance and minimal consumption. When designing the new Actros we tested every individual part extensively – in the wind tunnel and over many millions of test kilometres. The results of the aerodynamic optimisation work are especially apparent on the StreamSpace cab. The optimised radiator grille with a standard-fit electronically controlled radiator shutter, and the door extensions – which come as standard too – also ensure that the airflow costs you less diesel with the new Actros



Low consumption – advantages at a glance

- Up to 7% less consumption with Euro V and up to 4% less with Euro VI than the predecessor with Euro V
- **Optimised drive system through: frugal, efficient engines, shorter shift times through Mercedes PowerShift 3, rear axle ratios to match operating profiles**
- Predictive Powertrain Control available as an option, giving further fuel savings of up to 3% through automatic gear-shift changes appropriate to the topography
- “Economy” and “fleet” drive modes to help reduce fuel consumption
- Optimised aerodynamics through aerodynamic cab design, door extensions and radiator shutter. Optionally available aerodynamic air deflectors, cab side deflectors and side trim panels
- Consumption-reduced auxiliary consumers, such as on-demand compressed-air control system, power-steering pump, air compressor
- Low rolling resistance through super-wide tyres on request, optionally available tyre pressure monitoring system

Engines to make your competitors envious and to extend the competitive edge on fuel consumption

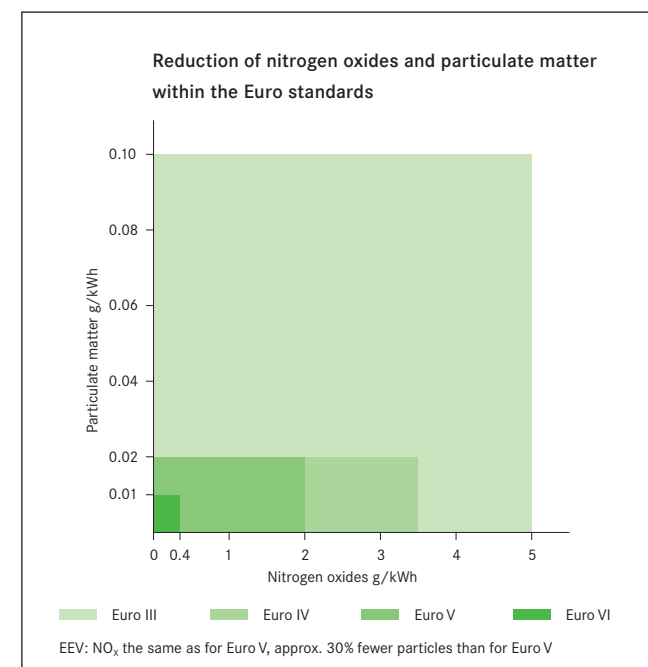
Excellent efficiency from the Euro V and Euro VI engines – the newly-developed Actros is impressive for its substantially reduced consumption in comparison with its Euro V predecessor, which was itself very economical. The Actros benefits from the most economical, reliable and durable engines we have ever built. Engines you will assuredly be envied for.

Leading engine and exhaust gas technology – hefty savings of up to 7% with Euro V and of up to 4% with Euro VI, compared to their already frugal predecessors. These are the impressive credentials of the new 6-cylinder in-line engines, which are available in three displacement capacities of 7.7 l, 10.7 l and 12.8 l and thirteen output levels ranging from 175 kW (238 hp) to 375 kW (510 hp). The reason for the low fuel consumption despite increased output is the particularly efficient combustion strategy, which is brought about, in part, by the X-Pulse common-rail high-pressure injection system, which injects the fuel into the individual cylinders at up to 2100 bar. Considerably lower CO₂ emissions and reduced particulate and nitrogen oxide emissions are further benefits. Below Euro VI the more stringent EEV¹⁾ emissions standard is available as an alternative to Euro V. Savings are also achieved through the cooled exhaust gas recirculation: where the Euro VI engines are concerned it ensures that approximately 40% less AdBlue[®] is consumed than

with Euro V. Our efforts to ensure low fuel consumption do not stop at the engines. In order to meet this objective the controlled water pump was redeveloped as was the AdBlue[®] injection, which now operates without compressed air. Also new is the fact that where required the new engines make more torque available in 12th gear in conjunction with the new standard-specification high-g geared rear axles²⁾. This means that high speed coupled with low consumption and low engine speeds is even possible in challenging terrain. On the bottom line this means that not only is the new Actros putting very economical and profitable technology on the road – this technology is also environmentally responsible.

¹⁾ Euro V and EEV only available for the 310 kW (421 hp), 330 kW (449 hp) and 375 kW (510 hp) models

²⁾ Only for vehicles with a standard frame height and with 310 kW (421 hp), 330 kW (449 hp) and 350 kW (476 hp) in conjunction with rear axle ratio $i = 2.61$



Whether it's Euro V or Euro VI – with the new Actros you will always be economical, save fuel and operate in an environmentally responsible manner when out on the road

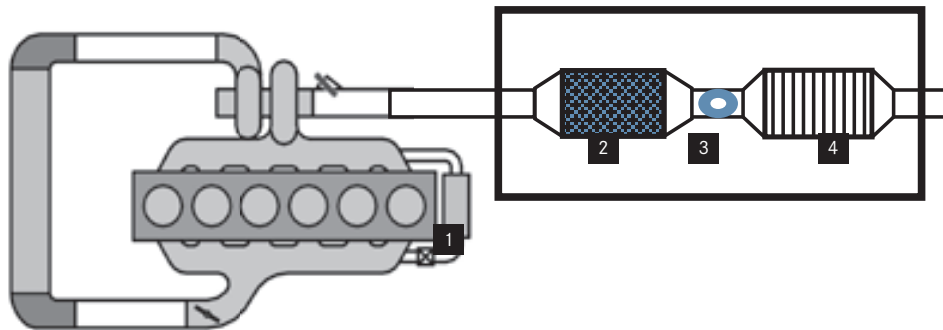


Through the optimisation of many individual engine components such as the standard-fit electronically controlled water pump, less energy is required for cooling the engine than was the case in the predecessor – and that saves fuel



The common rail high-pressure injection ensures that fuel is combusted in a particularly efficient, low-emission manner in nearly every driving situation. This helps to keep consumption low and to reduce emissions, thereby keeping costs low too

How the exhaust gas technology works



Euro V and Euro VI exhaust gas technology. The new in-line engines impress with low consumption and particularly low pollutant emissions. 1. The cooled exhaust gas recirculation already ensures that fewer nitrogen oxides and particles are produced during fuel combustion. 2. The Euro VI sealed diesel particulate filter prevents almost entirely the emission of particles. 3. The AdBlue[®] is now injected into the exhaust gas flow without air through the optimised metering unit. 4. With the SCR catalytic converter, the nitrogen oxides are completely transformed into water and nitrogen



Engine and exhaust gas technology – advantages at a glance

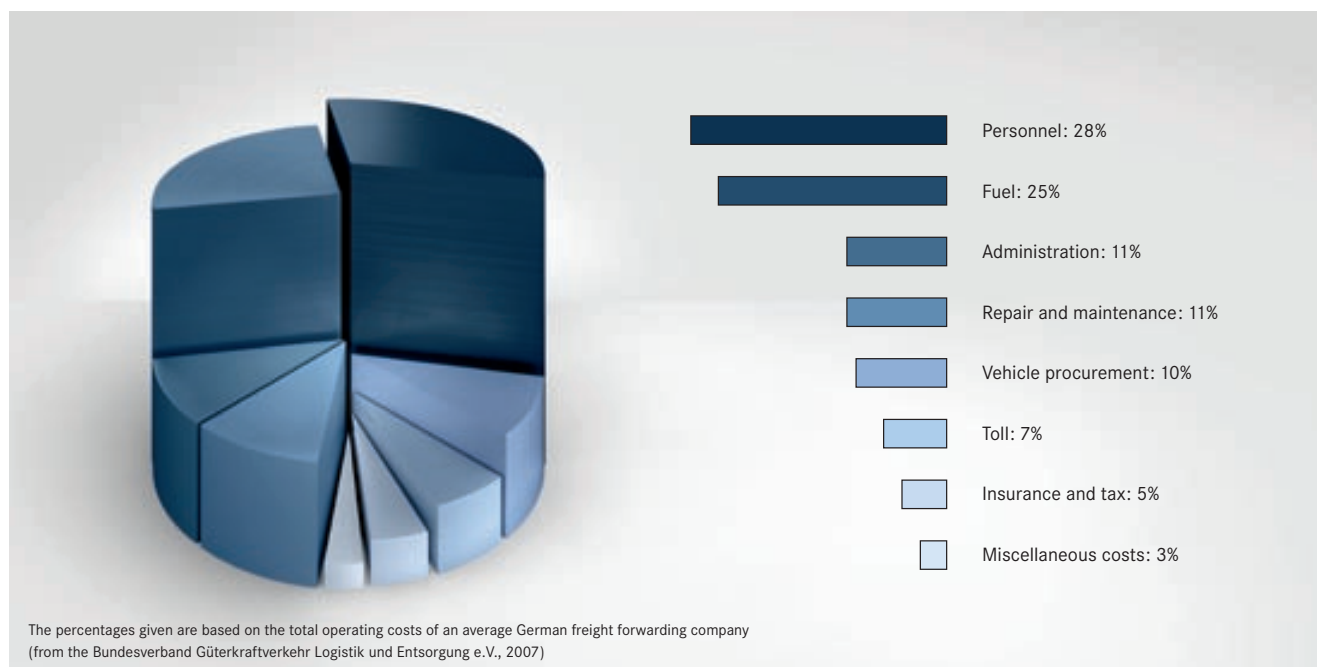
- Newly developed 6-cylinder in-line engines with X-Pulse common-rail high-pressure injection
- Up to 7% less consumption with Euro V than the predecessor
- Early compliance with Euro VI as an option, with up to 4% lower consumption than its Euro V predecessor
- EEV²⁾ emissions standard on request
- Three displacement volumes with a total of 13 engine output levels³⁾ from 175 kW (238 hp) to 375 kW (510 hp)
- Consumption-reduced AdBlue[®] injection
- Optimised water pump for reduced consumption

³⁾ Models in the 175 kW (238 hp) to 290 kW (394 hp) range as well as the 315 kW (428 hp) and 350 kW (476 hp) versions only available in Euro VI

Long-distance transport is more efficient than ever with the new Actros

A global solution for greater economy: in conjunction with the new Actros our perfectly intermeshed services can significantly boost revenue in long-distance transport, because they save on costs from day one – and because they help to tap the huge profitability potential of the new Actros even more effectively – every day, mile after mile.

With the new Actros you have at your disposal a long-distance vehicle which is even more economical when out and about than all the trucks we have ever built. In other words: thanks to a large number of product innovations the operating life and reliability of many components have been increased, the maintenance and repair costs cut and the consumption as a whole considerably reduced. In concrete terms this means that the new Actros is the technical and economical basis for a unique, particularly profitable global solution comprising a vehicle and services which are optimally tailored to it and which work together in perfect harmony, like the pistons of an engine – and thus play their part in creating a new dimension of economy.



Anyone wanting to be profitable when out on the road both today and in future has to put the costs under close scrutiny, because – seen over the vehicle's entire period of use – it is above all the fuel consumption plus personnel and administration costs that constitute the decisive factors when it comes to the profitability of your fleet. Therefore, not only have we equipped the new Actros with particularly durable, fuel-saving technology – from day one you also have the opportunity to enjoy even lower costs and thus be even more profitable when out and about by opting for services such as FleetBoard® and funding solutions from Mercedes-Benz Financial Services

Telematics (FleetBoard®)

- Driver and fleet receive objective feedback on driving style, fuel consumption and optimisation potential

New: FleetBoard® inside

- TiiRec on-board computer installed as standard¹⁾
- New FleetBoard® customers can test the system free of charge for 4 months; the package includes training for the fleet manager and theory training for the drivers
- Consumption reduction of up to 7% possible just through analysis of driving style and individual driver feedback, with a simultaneous reduction in vehicle wear and tear, and increase in safer driving

Service Contracts

- The perfect full-service cover with all repair and maintenance work – including all vehicle components and major assemblies and all wear and tear parts

Financing and leasing

- Attractive financing and leasing offers perfectly tailored to the vehicle by Mercedes-Benz Financial Services

Eco Training

- Driver training for an anticipatory driving style and therefore one which conserves resources and is economical, as driver performance is one of the most important factors where profitability is concerned. Eco Training is a BlueEfficiency Power service

¹⁾ Terms & conditions and service fees following test phase will apply. Speak to your local Mercedes-Benz dealer for further information

Combined savings potential



Combined savings potential of telematics & a service contract

- One-off FleetBoard® fee waived when signing up for a service contract¹⁾
- Precisely determined, favourably-priced monthly instalment due to technical improvements and extended operating life and wear-reducing driving style



Combined savings potential of telematics & financing and leasing

- Greater economy when using FleetBoard®, combined with favourably-priced leasing or financing instalments and beneficial insurance premiums



Combined savings potential of a service contract & financing and leasing

- Attractive financing or leasing instalments combined with regular maintenance through a service contract ensures your vehicle retains its value and allow scope for further investments

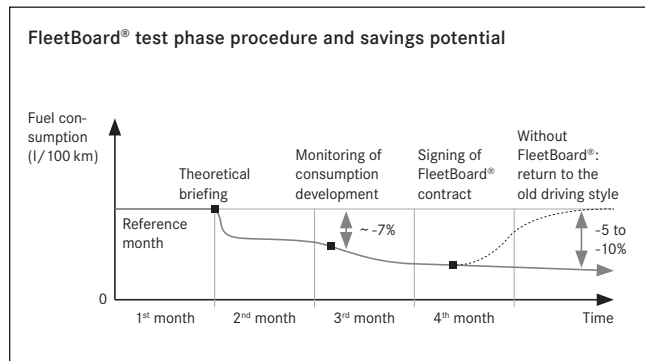


Maximum savings potential when using all the services offered

- Thanks to the advanced technology of the new Actros and the use of FleetBoard®, a service contract, the financing and leasing offers from Mercedes-Benz Financial Services and Mercedes-Benz Eco Training for drivers – a BlueEfficiency Power service – the fleet's profitability increases demonstrably

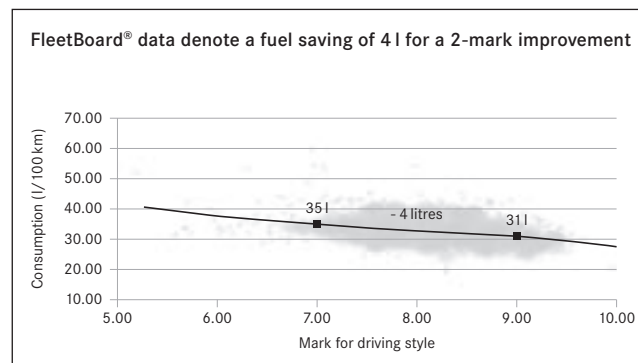
¹⁾ This applies to full repair and maintenance contracts only

For even more profitable operations, the new Actros is fitted with the FleetBoard® TiiRec on-board computer as standard¹⁾. The reason for this is that FleetBoard® fosters an anticipatory driving style which reduces wear and consumption – saving you money. And the optimised vehicle management, with increased maintenance intervals up to 150,000 km and shorter downtime all boost profitability further still.



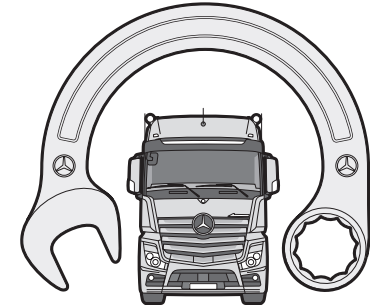
In order to become acquainted with all the advantages of the telematics-based vehicle management in detail, new customers have the opportunity to test FleetBoard® free of charge for four months: during this test phase the first month serves as a reference month in which fundamental data such as the consumption and driving style scores are recorded. The fleet manager receives instruction free-of-charge and the driver receives FleetBoard®-based theoretical training, also free-of-charge, that help promote a consumption-optimised driving style. Evidence has shown that at the end of the second month an average consumption reduction of up to 7% is possible, and

that if FleetBoard® continues to be used a saving of as much as 10% can be achieved. More cost reductions are possible by employing additional FleetBoard® services such as transport management or time management. Another fact worth noting is that sustained FleetBoard® support and training prevents drivers from falling back into their old driving style – which would bring with it higher consumption. From the third month the FleetBoard® driving analysis comes into the equation – the continuous supply of data from the vehicle facilitates an objective assessment of the driving style.



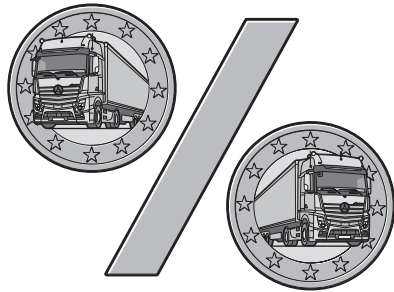
As a result the style of driving improved by two marks in most cases (10 being optimum), which corresponds to approximately 4 l/100 km less consumption. At the end of the 4-month test phase you can then decide whether you want to continue taking advantage of the economic benefits of FleetBoard® for your company – and with the data from the test phase you then also have good, objective arguments at your disposal.

In order to reduce costs right from the start, service contracts are available comprising cover for all vehicle components and auxiliaries, plus the replacement, repair and maintenance of all wear and tear parts.



All this for an attractive monthly instalment that can be precisely calculated in advance and that is demonstrably lower with Euro V than those associated with service contracts for predecessor models. In short: noticeably fewer costs right from the time of vehicle registration. How does this come about? Through the interplay of technical vehicle improvements, extended maintenance intervals and a wear-reducing driving style in conjunction with FleetBoard®, all of which add up to the reduced maintenance and repair costs for the new Actros. With our service contracts you secure your mobility, supported by a Europe-wide network of authorised Mercedes-Benz sales and service partners. If you sign up for one of our service contracts, Mercedes-Benz Financial Services – one of the leading automotive finance houses – rewards you with

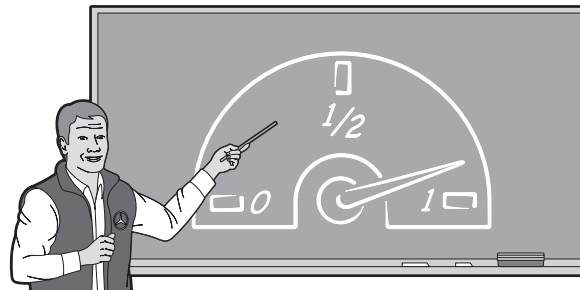
particularly attractive financing and leasing terms and conditions when you purchase the new Actros.



The basis for this is the vehicle's value retention, which is ensured through the regular maintenance which is carried out in conjunction with the service contract. Over and above this the improved driving style when using FleetBoard® also plays its part in the attractive terms and conditions. This gives you the security of liquidity leeway during procurement and pays off in the form of low instalments - from day one onwards. On the bottom line this means greater economy and fewer costs over the entire term.

But our understanding of profitability goes even further, focusing on the point at which results are immediately tangible: by teaching a driving style which reduces wear and consumption. There are many reasons why our Eco Training courses have an extremely positive effect on consumption and therefore help to cut costs sustainably. One reason why this is possible is because all the participants learn which factors influence fuel consumption and what sort of influence aerodynamics

or tyre pressure have, for instance. But the positive effect comes about mainly because we offer practical training sessions (using fully laden vehicles and in real traffic) to teach every participant a driving style which results in dramatically less consumption and less wear - and that pays - and goes on paying - with every mile driven.



As you can see, the new Actros unites leading-edge vehicle technology and perfectly intermeshed services from Mercedes-Benz to form a profitable global solution which makes long-distance transport demonstrably more efficient and profitable than ever before.

i Cost-cutting services - advantages at a glance

- Profitable global solution comprising innovative vehicle technology and leading Mercedes-Benz services
- Reduced costs over the entire period of use
- FleetBoard® inside:
 - TiiRec on-board computer as standard¹⁾
- Free testing of FleetBoard® for new customers, consumption reduction of up to 7% possible after just a few weeks
- Service contract optionally available for reduced maintenance and repair costs with Euro V vehicles compared with predecessor
- Optional: favourably-priced financing and leasing offers from Mercedes-Benz Financial Services
- Eco Training courses for a driving style that reduces consumption and wear

¹⁾ Terms & conditions and service fees following test phase will apply. Speak to your local Mercedes-Benz dealer for further information



The new dimension of driving dynamics

Precisely tuned drive system configurations, immediate power delivery, increased driving stability, improved steering characteristics and, last but not least, numerous, and new, assistance and safety systems – all of this palpably eases the burden on drivers, giving them a totally new driving feel. In short: no other truck drives in such an outstandingly capable, safe way as the new Actros.

The new Actros is characterised by superb driving dynamics, because the optimum balance between comfort, direct road feel and very good driveability and control has been found: in order to achieve this, many of the components for the drive system, chassis and suspension were redeveloped and significant improvements were made to tried-and-tested elements. For example, the optimised response of the new high-torque in-line engines and the shift strategy of the standard-fit automated transmission which works in perfect harmony with them ensure much more immediate, more comfortable moving off than was the case with the predecessor. The hypoid rear axle has also been further optimised, the power produced in the engine now being transferred to the road more efficiently than ever before – for optimum suitability for operating profiles, low consumption and thus greater economy.

When it comes to ride comfort, too, everything is perfectly coordinated: from the new steering system, the wider

frame with its more rigid design and the new 4-bellows air suspension to the unique, innovative rear axle guide¹⁾ which is responsible for better understeer/oversteer characteristics and more transverse stability. High levels of safety as standard come courtesy of the proven Electronic Braking System and the Stability Control Assist. Over and above this there are safety and assistance systems available on request to help the driver in stressful situations, including the new Attention Assist, the enhanced Active Brake Assist 3 and Proximity Control Assist with a stop-and-go function. Optionally available features such as the bi-xenon headlamps, cornering light function, LED daytime running lamps and the standard LED tail lights increase passive safety. For the person behind the wheel this means maximum ride comfort and a very safe and stress-free drive – from the start of the journey to the destination.

¹⁾ Available on 4x2 models only



Innovative rear axle guide¹⁾: instead of a conventional wishbone, two longitudinal control arms whose operating lines' point of intersection is behind the drive axle are used in the new Actros. This results in better directionality, tangibly better understeer/oversteer characteristics and more transverse stability. More about this on pages 42/43

This is where driving enjoyment and economy pull together

Engines, transmissions, axles – in the new Actros all the components are perfectly coordinated: for greater economy, high performance and a tangibly improved driving experience.

Even when moving off it is clear that the new high-torque 6-cylinder in-line engines featuring common-rail high-pressure injection with an injection pressure of up to 2100 bar are characterised by their refinement, their immediate, comfortable response and high performance. The advanced, standard-specification Mercedes PowerShift 3 12-speed automated transmission immediately and efficiently transmits the tremendous power to the rear axle through precise gear selection and fast gearshifts. The improved shift strategy is co-responsible for this, taking into account factors such as the combination weight, the angle of inclination of the road and the position of the accelerator when selecting the optimum gear. If need be the driver has the option of intervening manually. The selectively engageable “economy” driving mode supports a particularly economical driving style, the “power” driving program a very dynamic one. Additional functions, such as the opportunity to shift rapidly from 1 to R and high-ratio reverse gears, ensure that manoeuvring is smooth and rapid. And moving off is now significantly more comfortable, thanks to the new crawl function.

The hypoid rear axle with single-stage reduction supports the especially good driving feel in the new Actros too. The lower hypoid gear causes less friction and therefore saves fuel. Meanwhile, there are virtually twice as many rear axle ratios to choose from than for the predecessor – ensuring an optimum, fuel-saving solution for practically any application in long-distance transport. Whether rigid vehicle or tractor unit – the new Actros ensures that you are always economical when out on the road – and that the driver experiences a comfortable, smooth drive every day. The optionally available, innovative Predictive Powertrain Control system integrates an additional mode to the automatic transmission system that adapts to the topography of the road ahead: drawing on satellite positioning technology and a 3D map, the system identifies the road ahead and any upcoming inclines and reacts accordingly by optimising gear-shift points and cruise control speeds in anticipation of these topographical changes. This can result in additional fuel savings of up to 3%.



Tangible dynamism, easy handling and low consumption: the proven gearbox and standard-fit Mercedes PowerShift 3 12-speed automated transmission ensure high levels of ride comfort and optimum economy in practically every driving situation, thanks to precise gear selection and very short shift times



The new crawl function, familiar from the automatic transmissions in passenger cars, offers the driver comfort when moving off. Selectively engageable driving modes and additional functions make driving more comfortable and safer



More comfort: the automated transmission in the new Actros is operated conveniently – via the right-hand steering-column lever. This means that the gearshift console to the left of the driver's seat can be omitted, making through-cab access to the co-driver's side easier



Light, economical and now with a complete ratio range: in the new Actros the advanced, single-ratio hypoid rear axle which comes as standard contributes towards lower consumption through less friction compared to the predecessor model. For an optimised drive system configuration, low-frame vehicles and Low-Liners can be fitted with a direct-drive transmission

i Driving dynamics – advantages at a glance

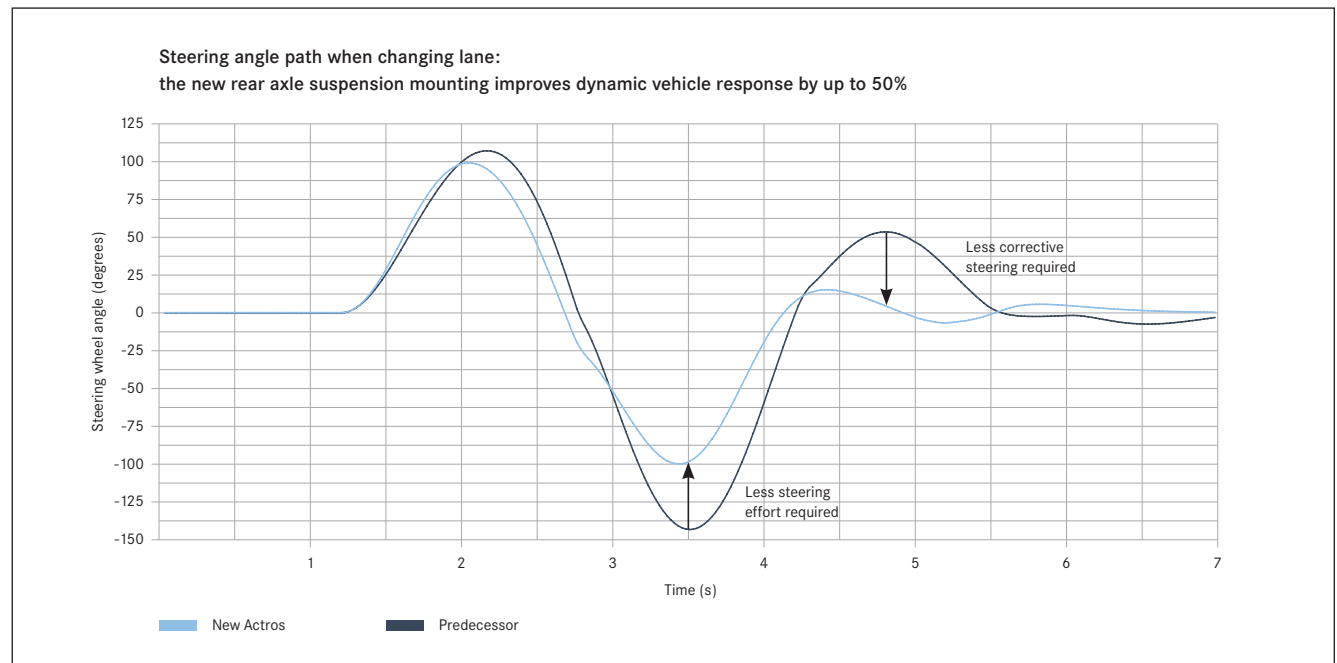
- Tangibly improved driving dynamics through perfectly tuned drive system configurations
- Economical, high-torque, very smooth-running 6-cylinder in-line engines
- Immediate response from engine
- Predictive Powertrain Control available as an option, giving further fuel savings of up to 3% through automatic gear-shift changes appropriate to the topography
- Standard-fit advanced Mercedes PowerShift 3 12-speed automated transmission with selectively engageable driving modes and additional functions matched to operating profiles
- Precise gear selection in accordance with the particular driving situation in question
- Automated transmission conveniently operated via the steering-column lever
- Standard-fit, friction-loss-reduced hypoid rear axle
- Application-specific drive system configurations thanks to a complete range of rear axle ratios and transmission variants



We haven't just improved driving characteristics – we've revolutionised them

Frame, chassis, suspension and steering – in the new Actros all the elements unite to form a perfect entity. The result is a totally new driving experience: more outstandingly capable, more relaxed and safer than ever before.

All the suspension elements in the new Actros have been redeveloped and perfectly tuned to one another: from the suspension in the newly developed seats and the cab mountings available in three variants to the new 4-bellows air suspension at the rear axle – put together it all produces a high level of suspension comfort in the workplace, treats the vehicle and its cargo with great care and supports the steering, frame and rear axle guide properties. The steering is extremely precise and sensitive, thanks to the enhanced steering gear with its improved steering kinematics and finer tuning of the steering forces in accordance with the driving situation. The frame track has been enlarged by 90 mm to 834 mm for significantly improved road holding and better driving characteristics. The wider spring track of the standard-fit 4-bellows air suspension also does its bit. Another decisive role is played by the new innovative rear axle guide¹⁾, whilst the conventional wishbone has been given a discrete design: the points at which the two trailing arms are connected to the rear axle have been positioned further outwards, which means that the rear axle is guided more stably. In conjunction with the new



On the new Actros several innovations – all perfectly tuned with one another – ensure optimised road holding and an outstandingly capable, safe driving feel: these features include the wider, more rigid frame, the 4-bellows air suspension and the innovative rear axle guide¹⁾. The new wishbone guides the rear axle more stably as the connection is positioned further outwards, resulting in the best possible degree of transverse stability. An extremely high level of steering accuracy and very good understeer/oversteer characteristics are further advantages which mean that less corrective steering is necessary, and thus ensure more safety and outstanding capability

steering system this leads to more transverse stability, fewer rolling movements, less need for corrective steering, plus better understeer/oversteer characteristics for an outstandingly capable, safe driving feel. In short: we haven't just improved driving characteristics – we've revolutionised them.

¹⁾ Available on 4 x 2 models only



The air suspension bellows on the new standard-fit 4-bellows air suspension have been attached on the far outside, and in conjunction with the innovative rear axle guide¹⁾ they ensure much better roll characteristics when driving over road bumps, plus tangibly smaller roll angles in bends



The new frame is uncompromisingly geared to use in long-distance transport. The wider track and the more rigid design ensure improved road holding and better driving characteristics. Further advantages include the 50 mm matrix of pre-drilled holes throughout, the optimised wheelbase and a larger range of wheelbases, frame overhangs and end cross members



Driving characteristics – advantages at a glance

- New innovative rear axle guide¹⁾ for more transverse stability and better understeer/oversteer characteristics
- Suspension elements for seats, cab mountings and chassis suspension all optimally tuned with each other
- Optimised, direct steering system for improved steering precision
- Optimised steering gear for better steering kinematics than the predecessor
- Wide, rigid frame with wider track for improved road holding
- Better body-mounting ability and lower body-mounting costs thanks to optimised, complete range of wheelbases and selectable frame overhangs and end cross members

Feel safe – from the start of your journey to the final destination

More safety in any driving situation – through assistance and safety systems which actively ease the burden on the driver, treat the vehicle and its cargo with care and thus help inject more profitability into long-distance transport – on every single journey.

In the new Actros you'll be a significant step ahead when it comes to safety, too. Alongside the proven Electronic Braking System with the anti-lock braking system ABS, acceleration skid control ASR, Brake Assist and hill holder, Stability Control Assist (fitted as standard) and Proximity Control Assist with the stop-and-go function (fitted as an option) provide a high level of safety. The new Attention Assist system can further increase safety. It monitors certain factors such as steering characteristics and can recognise when the driver is becoming increasingly tired or inattentive and give out a visual and audible warning with a recommendation to take a break. Attention Assist is optionally available in conjunction with the optional Lane-Keeping Assist system. Other functions are available to take the load off the driver further still: the rain/light sensor, which is fitted as standard; and as options, the co-driver mirror with a manoeuvring function, the tyre pressure monitoring system and a sensed fifth-wheel coupling, whose locking status is indicated in the instrument cluster. The highly luminous headlamps on the new Actros are optionally available as a bi-xenon

version. LED tail lights are standard and on request safety can be increased further by the new cornering light function and the LED daytime running lamps. The standard-specification follow-me-home lights show the driver the way when getting into or out of the vehicle. To keep wear on the brakes low, a powerful engine brake is fitted as standard. Over and above this the Actros can be equipped with the new High Performance Brake¹⁾. For even more comfortable braking a newly developed, more powerful – yet at the same time quieter – retarder is available, which is now cooled with the engine's coolant instead of oil, and is more efficient and lighter. It is fully integrated into the brake system and provides a braking torque of up to 3500 Nm. Safety Packs available on request enhance safety and with their low-cost package prices and attractive financing or leasing terms and conditions, they also play a part in ensuring greater profitability. Further details on pages 58/59.

¹⁾ Max. braking power at 2300 rpm with Euro V/EEV: **350 kW**, with Euro VI: **400 kW**

²⁾ At a vehicle speed of up to 60 km/h



The new Attention Assist system, which is available as an option, can detect signs of increasing tiredness and inattention. It can issue a visual and audible warning sign and recommend the driver takes a break



The optionally available sensed fifth-wheel coupling informs the driver via a display in the instrument cluster whether the fifth-wheel coupling is open or closed. This increases safety and saves on expensive repair costs



Less wear, more safety, higher average speeds – with the new optional water retarder up to 85% of all braking manoeuvres can be performed wear-free



The new Active Brake Assist 3 can prevent²⁾ an impending collision with a stationary object, or considerably reduce impact speed, through autonomous full braking. In this way, accidents can be avoided, or the severity of an accident can be significantly reduced



On request bi-xenon headlamps and the new cornering light function enhance safety and comfort during the journey. The standard-specification follow-me-home lights make climbing in and out more pleasant and also safer



Safety – advantages at a glance

- Comprehensive safety equipment as standard
- New: Stability Control Assist now in the standard specification
- On request: Proximity Control Assist with stop-and-go function, Lane Keeping Assist, as well as the new Attention Assist and the new Active Brake Assist 3
- New High Performance Brake¹⁾ with up to 400 kW of engine braking power at 2300 rpm
- New water retarder with up to 3500 Nm of braking torque
- Tyre pressure monitoring system capable of checking both vehicle and trailer tyre pressures
- Sensed fifth-wheel coupling
- Co-driver's mirror with manoeuvring function
- Choice of Safety Packs
- Follow-me-home lights, LED tail lights and front fog lamps as standard. Option of bi-xenon headlamps, cornering light function, LED daytime running lamps



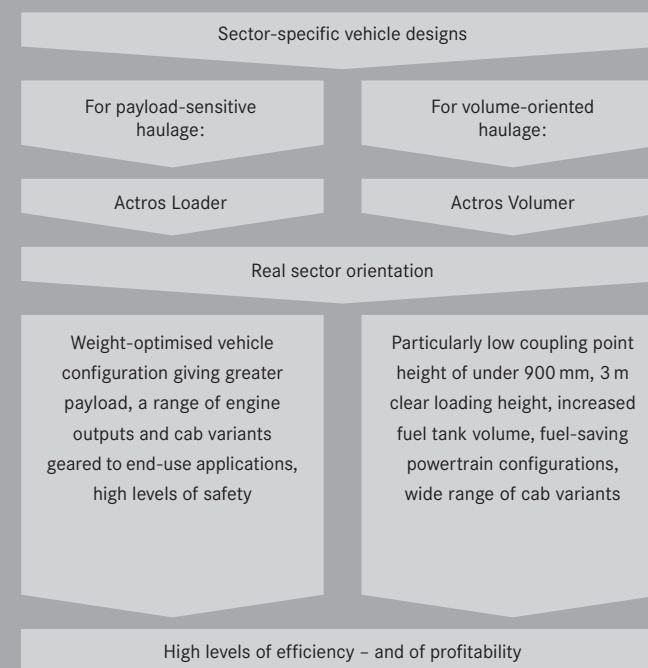
The new dimension in payload capacity: Actros Loader and Actros Volumer

Ensuring that, when it comes to payload and volume, you get more of both: in the new Actros Loader and the new Actros Volumer you have two specialists at your disposal that can transport more – as standard.

With the new Actros, you can have even more economical long-distance transport operations than before. And so that the same can be said for payload-sensitive transportation and high-volume haulage, we have developed the Actros Loader and the Actros Volumer. For as we all know, special jobs need special tools for the job – or rather, special vehicles.

For the new Actros Loader, every possibility to reduce weight was examined and – if it made technical sense – systematically implemented. The result: payload-optimised tractor units and rigid vehicles which are amongst the lightest in the long-distance transport sector. Ex-factory. With high-performance, economical Euro VI engines, cabs matched to the jobs they have to do – and without taking anything away from the high safety standards of the Actros. The new Actros Volumer also makes it possible

to operate even more economically. As a high-volume haulage specialist, it meets the exacting requirements of low height Eurotrailers, thanks to its coupling point height of under 900 mm. In practice, this means a clear loading height of 3 m. In addition to the large cargo volume, powertrain configurations which are particularly efficient with fuel and the larger available tank volume on the new Actros Volumer all contribute to greater economy. Job-matched cab variants such as the CompactSpace, which is particularly well-suited to car transportation, also play their part. On the next few pages we would like to present some of the defining characteristics of the Actros Loader and the Actros Volumer to you. For more information, and for your own very specific vehicle configuration, please contact your Mercedes-Benz dealer.



With the new Actros Loader and Actros Volumer, Mercedes-Benz offers you vehicle configurations geared to your operations that allow you to operate more profitably in payload and volume-oriented haulage

The new Actros Loader: For those who want more payload

Lower weight, more payload – from the radiator grille to the end crossmember. The new Actros Loader was specifically designed to meet the requirements of payload-sensitive sectors. For that reason it is one of the lightest trucks in long-distance transport, regardless of whether you go for a tractor unit or a rigid truck. Quite simply, you can pack more onto the new Actros Loader. And that pays dividends. Every trip.

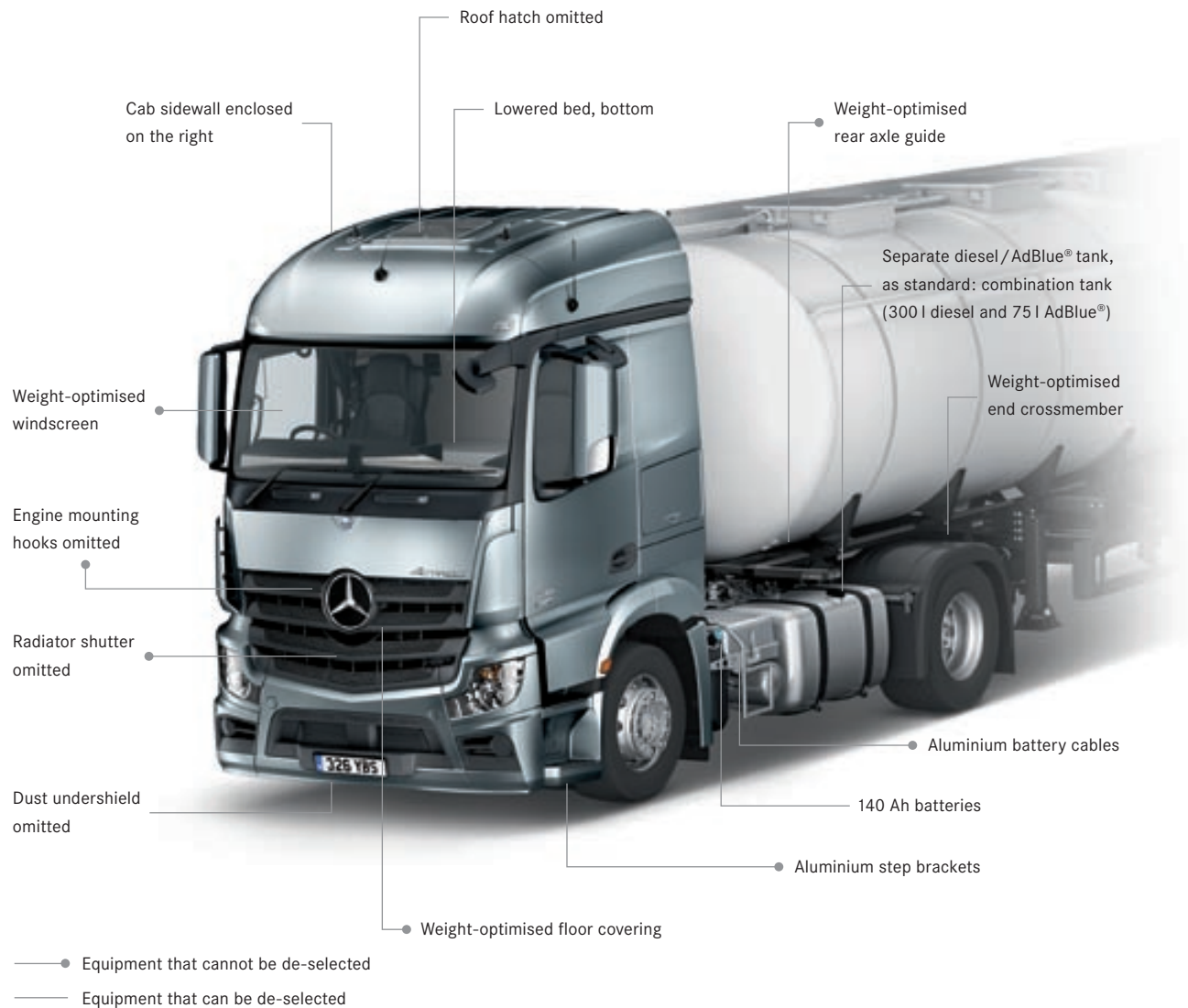
The concept of a payload-oriented long-haul truck is not new – but it has never been realised before in such a systematic manner. The result: despite the significantly more weight-intensive Euro VI technology deployed, the Actros Loader is considerably lighter than the existing, and proven, Euro V Actros. This has been brought about by a series of large and small weight-reducing measures, implemented as standard. In order to give you the greatest possible flexibility when configuring your vehicle, you can also choose not to have certain measures implemented. In short: you decide for yourself how much you need to fully exploit the payload potential of the Actros Loader and thereby operate with extremely low unladen weight. Both as tractor unit or rigid, the new Actros Loader models are offered with a wide range of frugal engine options to suit the task at hand: 7.7 l displacement and an output of 200 kW¹⁾ (272 hp) up to 260 kW (354 hp), or 10.7 l displacement and an output of 240 kW (326 hp) up to 315 kW (428 hp), all with 8 or 12-speed Mercedes PowerShift 3 transmissions and super-wide tyres on aluminium rims as standard.

There is a choice of ClassicSpace or StreamSpace cabs, with 170 mm or 320 mm engine tunnels – offering the ultimate in flexibility to suit the operation. The fact that the new Actros Loader is one of the lightest trucks in long-distance transport doesn't mean that you have to do without the high levels of safety so typical for the Actros, however. As with all Actros models, the Actros Loader is available with a complete range of safety systems – either singly or bundled in appropriate and particularly reasonably-priced optional Safety Packs. For it's clear: large payloads don't pay off until they have arrived safely at their destination.

¹⁾ Tractor units available with power output of 235 kW (320 hp) and above



Just one of many weight-reducing measures: in order to make the Actros Loader even lighter, the cab will be delivered without external access to the storage lockers unless specified



Advantages at a glance

- Extremely high payload through vehicle configurations geared to end-use applications and weight-reducing measures
- Possibility of de-selecting some of the weight-reducing features
- Lightweight, economical Euro VI in-line engines with 7.7 l or 10.7 l displacement, in eight power bands from 200 kW (272 hp) to 315 kW (428 hp)
- Four cab variants with 2300 mm width and 170 mm or 320 mm engine tunnel: ClassicSpace and StreamSpace
- High levels of safety thanks to the availability of the complete range of safety and assistance systems
- Safety Packs as an option

The Actros Loader stands out for its ability to carry extremely high payloads. Quite simply, you have a lighter-specification vehicle at your disposal, because many components and fittings have been systematically designed for use in payload-sensitive industry sectors. But because we know that payload isn't always everything, you have the option to de-select certain of the standard payload-optimised features



The new Actros Volumer: For those who need more space

Huge transportation volumes, fuel-saving powertrain configurations, an increased range and perfect alignment to the application for which you intend to deploy it – the new Actros Volumer shows how tractor units and rigid trucks need to be built today, to make high-volume haulage especially profitable.

True greatness – as a real high-volume haulage specialist the new Actros Volumer gives you some major benefits: huge transportation volumes, an increased range and high levels of economy.

The Actros Volumer can optionally be configured, in conjunction with 315/45 tyres, to offer a coupling point height of under 900 mm on air-sprung 4x2 tractor units, giving a clear loading height of 3 m – and therefore the possibility of stacking three standard crates on top of each other. What's more, the Actros Volumer combines the low coupling point height with other important benefits. The maximum fuel tank volume, for example, has been increased to 990 l, and is thus some 10% larger than in the predecessor model – and this despite having Euro VI exhaust technology, which requires more space. Low-frame rigid trucks have a maximum fuel tank volume of 1000 l, an increase of 70%. That saves money through removing the need to retro-fit tank add-ons, for example. And the economical 6-cylinder in-line engines, available in 13 power bands from 175 kW (238 hp) to 350 kW¹⁾ (476 hp), play their part in increasing the range. Over and above this, the powertrain configurations that have

been optimised for their end-use applications make the Actros Volumer a truly economical haulage solution – for the wide range of rear axle ratios available means that, even with 315/45 tyres, the Actros Volumer can always be fitted with direct drive transmission. And that saves up to 1% fuel compared to overdrive transmission. In addition, a range of eleven different cab variants – from the GigaSpace through to the CompactSpace cab, which is ideal for car transportation – provides the right amount of space for practically every requirement in international and domestic high-volume haulage. In short: the new Actros Volumer brings together three decisive advantages in one vehicle: huge transportation volume, increased range and excellent economy.

¹⁾ 375 kW (510 hp) available with 6 x 2 rigid models



Large volumes and Euro VI as well – with a fuel tank volume of up to 990 l for tractor units and up to 1000 l for low-frame platform trucks, the Actros Volumer provides an especially long range for high-volume haulage

11 job-matched
cab variants



Euro VI engines in 13 power bands

Fuel-saving powertrain configurations

With its particularly low coupling point height of under 900 mm, the Actros Volumer fulfils the requirements for economical high-volume haulage. The clear loading height of 3 m, together with a large range of cab variants and and job-matched powertrain configurations also play their part



Advantages at a glance

- Particularly low coupling point height for 4 x 2 tractor units
- 3 m clear loading height
- Wide selection of rear axle ratios
- Fuel-saving powertrain configurations, geared to their end-use applications, for every tyre combination
- Long range, thanks to the 990 l fuel tank volume on tractor units and up to 1000 l volume on low-frame rigid trucks
- Euro VI in-line engines in 13 power bands ranging from 175 kW (238 hp) to 350 kW¹⁾ (476 hp), giving reduced fuel consumption
- A total of eleven cab variants, in 2300 and 2500 mm widths: including the CompactSpace cab for car transporters

Mercedes-Benz
service

Driver Training

FleetBoard®



Mercedes-Benz
Financial Services

Service24h

CPC
Driver Training

The new dimension of services

We place our range of tailor-made services at your disposal to ensure that everything runs smoothly at your end. Alongside the extensive Europe-wide workshop network, these include telematics, mobility and financial services all customised to meet the needs of the new Actros, helping to ensure that you are particularly economical when out on the road. And our comprehensive range of accessories sees to it that your new Actros cuts a particularly individual figure as it goes about its work.

As far as we're concerned, service means one thing above all: providing you with strong support in meeting your daily targets in long-distance transport: all over Europe, round the clock – and in a particularly profitable way. In concrete terms you have a huge variety to choose from: our dense network of workshops, for example, and the efficient parts logistics with 13 European parts centres, plus the tried-and-tested Mercedes-Benz Service24h. The telematics solution FleetBoard® and service contracts, plus favourably-priced financing and leasing solutions from Mercedes-Benz Financial Services are further service modules which enhance your profitability when out on the road and which can be perfectly tailored to the requirements in your fleet. Not forgetting the Mercedes-Benz DriverTraining where participants are taught a particularly fuel-saving and therefore economical – as well as a safer – driving style.

At the Application Information Centre (BIC) in Würth you can receive in-depth advice and drive, test and compare around 180 vehicles fully fitted with bodies, plus find out about our extensive services. As you can see, we do everything we possibly can to ensure that you really feel at home in the new Actros, that you stay mobile and that you are as economical as possible when out on the road.



Our replacement parts are developed, manufactured and tested according to the same stringent criteria as the parts for series production – because only components which live up to this high standard will also meet the strict requirements regarding reliability, durability and economy in the new Actros

More efficiency through more transparency

FleetBoard®: vehicle management, transport management and time management – all from a single source, making your job that much easier.

With FleetBoard® inside the new Actros equips you with excellent prerequisites for being even more economical when out on the road. What's more: new FleetBoard® customers can now test the system free of charge for the first four months¹⁾. FleetBoard® vehicle management cuts fuel costs and wear, and facilitates longer maintenance intervals of up to 150,000 km – not to mention higher vehicle uptime. You can read more about all this on pages 32 to 37. The optional FleetBoard® transport management helps achieve more efficiency in logistics processes. The basis for this is the DispoPilot.guide. It is permanently installed in the cab and has a 185 x 120 x 25.5 mm (W x H x D) screen. Its benefits include the ability to send order data to the vehicle in real time, transfer addresses directly to the navigation system and manage journeys efficiently. Plus: at all times you are kept fully updated on the vehicle, journey and order status. This also helps to ensure optimum capacity utilisation for your new Actros. A further means of optimising your logistics processes comes in the form of the optional DispoPilot.mobile. In contrast to the DispoPilot.guide it can also be used outside the vehicle, for example for scanning in goods and



The optional FleetBoard® transport management enables efficient communication with the driver – the direct transmission of all the order and journey details to the DispoPilot.mobile prevents detours from having to be made, as well as misunderstandings. Further advantages: with the integral barcode scanner the driver can carry out a nominal-actual value comparison of the cargo items whilst delivering goods. And on the DispoPilot.mobile's screen they can record the customer's digital signature and pass it straight on to the distribution headquarters

recording the digital signature. Over and above this, FleetBoard® transport management can be integrated into your company's own job scheduling, logistics and ERP system – whilst maintaining full process reliability – meaning that logistics managers can use the software they are familiar with, yet still include all the FleetBoard® data. With FleetBoard® time management you comply with all the legal regulations regarding the archiving of driving times and rest periods – this practically takes care of itself, because the recording of driver-card and mass-storage data happens at the press of a button or completely automatically from the distribution manager's workstation, without the driver and vehicle having to return to your

transportation company. This saves money and reduces the amount of administration work. With the FleetBoard® app for the iPhone, iPad and iPod touch you are kept informed wherever you are about whether the journeys are going as planned or if measures need to be taken at short notice – including at night in case of emergency. More information about the advantages of FleetBoard® is also available at www.fleetboard.com or direct from your local Mercedes-Benz dealer.

¹⁾ Terms & conditions and service fees following test phase will apply. Speak to your local Mercedes-Benz dealer for further information



FleetBoard® time management: after the driver's card has been inserted into the FleetBoard® vehicle computer, all the data is downloaded from the driver's card to the haulage company at the touch of a button. This saves time, plus all the legal requirements are met



Reach your destination more easily and faster with the optional DispoPilot.guide: following transmission of the order data the delivery or collection address can be added straight to the integral navigation system. This ensures that you always find the best route to your destination and thus save fuel whilst you are out on the road

i FleetBoard® inside – advantages at a glance

- FleetBoard® TiiRec on-board computer installed in the vehicle as standard ¹⁾
- 4-month test phase free of charge for new FleetBoard® customers
- FleetBoard® vehicle management for increasing profitability
- Maintenance intervals of up to 150,000 km
- FleetBoard® transport management for efficient logistics processes (requires DispoPilot.guide or mobile)
- FleetBoard® time management for easy compliance with legal regulations and reduction of documentation work involved
- FleetBoard® app for mobile access to the fleet



Anyone who sets standards with a vehicle can't stop doing so when it comes to service

For particularly low costs and even higher levels of vehicle up-time: our extensive network of workshops with longer opening hours and Mercedes-Benz Service24h ensure that you stay one step ahead – all over Europe.

More flexible, more efficient, more favourably priced. It's not just the fact that the operating life of many components has been extended – the cab, for example, through full galvanisation – that results in fewer costs for you: it's also down to the design of the new Actros, which attaches particular importance to ease of repair and maintenance. What's more: the additional expenditure on maintenance and repair which arises due to the more sophisticated technology with Euro VI is minimised right from the outset.

For all workshop procedures you have around 1800 Mercedes-Benz service outlets at your disposal throughout Europe – and many of them are open until 10 p.m. or midnight, with some even offering 24hr servicing. Over and above this our trained employees and efficient parts logistics with a total of 13 European parts centres facilitate especially short repair times and ensure that your new Actros returns to the road as soon as possible. Fixed-price packages – with which you already know in advance what costs will be incurred and how long the maintenance or repair will take – bring benefits too. And the exclusive use of genuine Mercedes-Benz parts is a



Service24h is the roadside support service from Mercedes-Benz. Our qualified Mercedes-Benz technicians work to provide you with around-the-clock assistance from throughout the UK and Europe

further element which contributes to the long operating life and the high performance and value retention of the new addition to your fleet. A call to the free Europe-wide service hotline 00800 5 777 7777 ¹⁾ is all it takes to receive rapid assistance in case of emergency.

¹⁾ There may be charges for calls from the mobile phone network



Workshop service: there are around 1800 Mercedes-Benz service outlets throughout Europe and of these some 400 are open until 10 p.m. – with an increasing number staying open until midnight or even round the clock. This facilitates more flexible maintenance planning, plus: even more major repairs can be carried out within one working day – so that your new Actros is not at the workshop for a minute longer than absolutely necessary



Mercedes-Benz services – advantages at a glance

- Repair-friendly design for lower maintenance and repair costs
- High availability of replacement parts thanks to 13 European parts centres
- Extensive workshop network with around 1800 service outlets throughout Europe
- Long workshop opening hours, until 10 p.m., midnight or even 24hr in some cases
- In an emergency Mercedes-Benz Service24h is at your disposal round the clock via the freephone number 00800 5 777 7777 ¹⁾ throughout Europe
- Fixed-price packages for the biggest maintenance and repair jobs with genuine Mercedes-Benz parts



The perfect financing arrangement for every business

Mercedes-Benz Finance is the international financial services, contract hire and fleet management arm of Mercedes-Benz. Established in the UK 20 years ago, we provide a range of finance options, vehicle service plans and specialised insurance cover to HGV and LGV operators of all sizes and in all business sectors through our extensive Mercedes-Benz dealer network.

At Mercedes-Benz Finance, our aim is simple: to deliver an unparalleled level of service to each and every one of our customers. This applies equally whether you're a business owner operating a single commercial vehicle, or a main fleet buyer responsible for a large number of vehicles. So as well as offering a superb range of high quality commercial vehicles, we also bring you the perfect financing arrangement. We can also provide you with a service plan that'll keep your fleet running smoothly and cost effectively for years to come.

All of our dealerships have dedicated Finance Specialists. With their extensive knowledge they can talk you through all aspects of finance and service contracts, ensuring you get exactly the solution your business needs. The most widely-used finance arrangement for commercial vehicles is contract hire, and there are many other options available to suit your requirements. If you're considering ownership, you can select Hire Purchase or our Agility scheme.



For more profitability and more transparency in your fleet – Mercedes-Benz Financial Services offers you tailor-made solutions which can be individually combined and which ensure that you already know beforehand exactly how much a vehicle is going to cost you: per mile driven and over the entire period of use

Or perhaps a lease would be more suitable. If you want the use of high quality vehicles for your business, but you don't want to spend too much of your capital in acquiring them, an Operating Lease or Finance Lease might be what you're looking for. We can also provide Service Contracts which are designed to help you keep your vehicles running with maximum cost-efficiency. We'll take care of all the repairs and maintenance you require for a fixed monthly sum, which means any variable and unforeseen running costs simply disappear.

Contract Hire can be seen as a combination of an operating lease, plus repair and maintenance agreement, all arranged into one simple monthly payment. It requires no

capital investment and the vehicle is not shown on your balance sheet. Instead of owning the vehicle or vehicles, you hire them for a fixed period, usually three to five years, for a fixed monthly fee. This fee is based on the difference between the initial value of the vehicles and their projected value at the end of the agreement. So you only repay a proportion of the vehicle's costs – good news for your cash flow.

With a Contract Hire agreement, you avoid any concerns about the future value of your vehicle – at the end of your agreement you simply hand it back.



Everything from a single source – as a specialist financing and leasing, Mercedes-Benz Financial Services offers you individual solutions for vehicle procurement that are optimally tailored to your company's needs – with especially interesting terms and conditions



Mercedes-Benz Contract Hire – The business benefits

- Throughout the life of the arrangement, you'll know exactly what your outgoings are every month
- Benefits to choosing Mercedes-Benz Finance Contract Hire include fixed costs for running your vehicle or fleet, outsourced administration and management and additional credit lines
- With Contract Hire you can choose from a variety of options to complement the basic operating lease. Typically a Contract Hire agreement would cover all scheduled maintenance, all necessary repairs including brake pads and clutches and 24-hour roadside assistance 365 days a year
- Depending on what suits you and your business, you can also add items such as replacement vehicle in the event of breakdown, tyre replacements, maintenance for vehicle equipment, collection and delivery of vehicles for scheduled maintenance, out of hours servicing and much more

Our additional services – making it even easier for you to achieve your targets

From Mercedes-Benz DriverTraining to the Application Information Centre in Wörth – we do everything we can to ensure you always remain one step ahead with your new Actros.

If you come and see us in Wörth to collect the new member of your fleet you will also have the opportunity to make use of the Driver Information Service – so that you can exploit the full potential of your new truck right away. In addition to this, by taking part in Mercedes-Benz DriverTraining you will be contributing towards your Driver CPC. The Eco Training, for instance, teaches you a driving style which achieves a fuel saving of 10%, the driving safety training how to master critical driving situations optimally. On request we can also carry out the DriverTraining on your premises or those of the authorised Mercedes-Benz dealer near you. Also based in Wörth is the Mercedes-Benz Application Information Centre, which enables you to directly compare numerous complete vehicles, tractor units and bodies from various manufacturers. The presentation including a demonstration of the bodies and extensive test and comparison drives are just as much a part of the service as the individual, sector-specific advice and information on the wide range of services we offer.



Mercedes-Benz DriverTraining shows you how to utilise the potential of the new Actros to the full. Eco Training can result in a style of driving that can save up to 10% fuel. And driver safety training teaches you how to master critical driving situations with confidence. Find out more about this and our CPC DriverTraining courses by visiting www.mercedes-benzdrivertraining.co.uk



Unique: at the Application Information Centre in Wörth there is a permanent display of some 180 complete vehicles fitted with sector-specific body solutions from more than 70 manufacturers at your disposal. All the vehicles and body solutions can be test-driven, tried out and directly compared with each other in real-life conditions. Not only does this save time and hassle; it also shows very quickly which represents the appropriate solution for you, plus: on more than one occasion impressed customers have taken “their” vehicle straight home with them – direct from the yard of the Application Information Centre



Further services – advantages at a glance

- Mercedes-Benz DriverTraining for a safe and economical driving style
- DriverTraining that will contribute towards your Driver CPC
- Application Information Centre in Wörth with approx. 180 practical, sector-specific solutions providing hands-on access, to test, compare and test-drive. Sector-specific events with driving experiences

For the most discerning of requirements – the genuine accessories

The new Actros sets benchmarks in every respect – a standard also met by the genuine Mercedes-Benz accessories. They are versatile, functional and attractive – right down to the smallest detail.

The new Actros offers working, living and sleeping comfort like virtually no other vehicle in long-distance transport. With the genuine accessories you can lend this comfort the perfect finishing touch and give your new Actros a very personal feel. For an elegant look, for instance, the chrome louvres are ideal, underlining the striking design and the distinctive lines of the new Actros. A further example of elegant detail: the entry emblem in stainless steel with Mercedes-Benz lettering, which, depending on the version chosen, for example in illuminated or reflected blue, is visually very striking.

But the genuine accessories do not just add emphasis in visual terms: the d.c./a.c. converter, for example, ensures that devices such as notebooks, which normally require a 230 V connection, can also be used in the Actros. And with the mobile phone cradle for the iPhone 4, your iPhone is connected to the outside aerial and can be operated using the multifunction steering wheel.

The Mercedes-Benz Tracking System is an efficient tool which allows the vehicle to be found again quickly in case of theft. Details such as the hard-wearing ribbed floor mats which were specially designed for the new Actros or the mats for the stowage lockers help ensure that everything remains in fine condition and as good as new. Meanwhile, additional items of equipment like a coffee machine with a stainless-steel vacuum flask, plus a kettle with a capacity of 0.75 l and an automatic shut-off mechanism bring more independence from what are often expensive service stations.

Over and above all this our genuine accessories range offers many items of equipment and details which enable you to personalise your new Actros further still. You can find an extensive overview in the separate Actros accessories brochure. Or just ask your local Mercedes-Benz dealer – who will be delighted to see you and happy to advise you.



Stylish appearance: with the chrome louvres you can embellish the striking, dynamic design of the new Actros with even more distinctive lines



Thanks to the Mercedes-Benz Tracking System you are even safer when out on the road: the GSM module is mounted in such a way that it is inaccessible and in case of theft, for example, it can transmit location and movement data and thus enable your new Actros to be found quickly



Fresh coffee – brewed by you. The 24V coffee machine with a high-quality vacuum flask serves you up to 6 cups of hot coffee in no time at all. It can be permanently installed in the cab and has a power plug for safe, reliable absorption of power



The stowage locker mats are self-adhesive and are made of hard-wearing rubber/fabric composite material. They prevent the stowage lockers from being scratched



Wheel nut cap and rear axle cap in a black paint finish – or alternatively in polished stainless steel (not shown) – and with an embossed, polished Mercedes star in stainless steel. Allows you to give your new Actros a very personal, individual touch



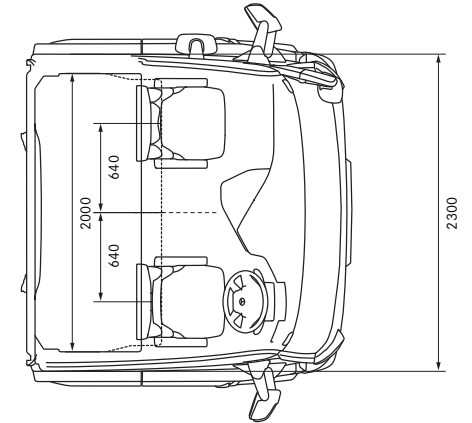
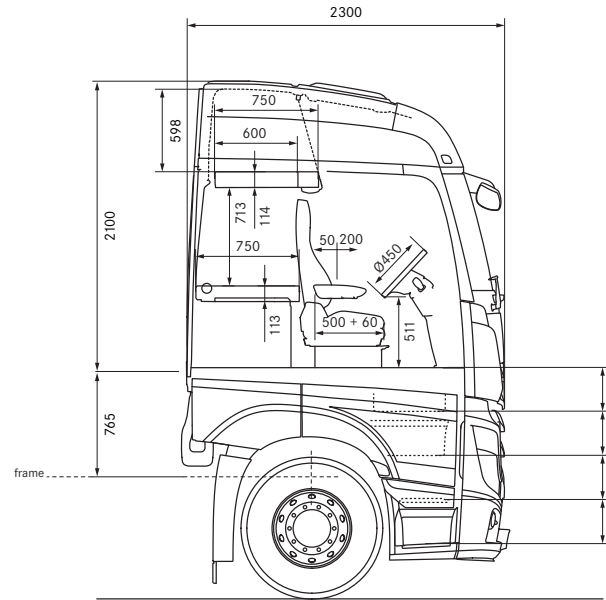
The side window wind deflector set for the driver and co-driver windows protects against drafts when driving with the windows open. Their optimal shape and aerodynamics also help to keep wind noise to an absolute minimum and thus make for draft-free, quiet driving

i Genuine accessories – advantages at a glance

- Chrome package for added individuality and a gleaming, individual look
- Mercedes-Benz Tracking System for more safety
- Wheel nut cap and rear axle cap for more attractive, individual look
- Side window wind deflectors to allow draft-free driving even when the window is open
- d.c./a.c. converter for connecting electrical devices for alternating voltage
- Locker mats for protecting stowage lockers when climbing into the upper bed
- High-quality non-slip ribbed floor mats allowing easier cleaning of the interior

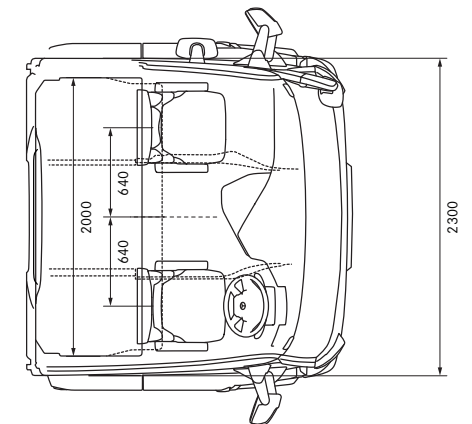
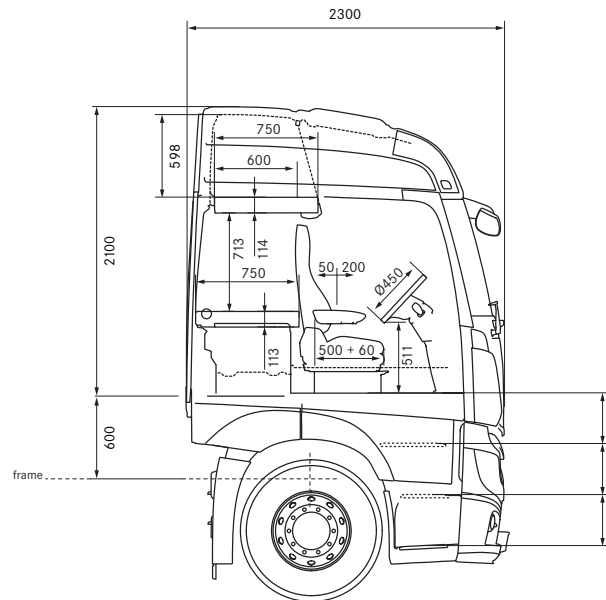
StreamSpace cab (2)

Exterior width: 2300 mm
 Exterior length: 2300 mm
 Headroom between the seats: 1970 mm
 Headroom in front of the seats: 1840 mm



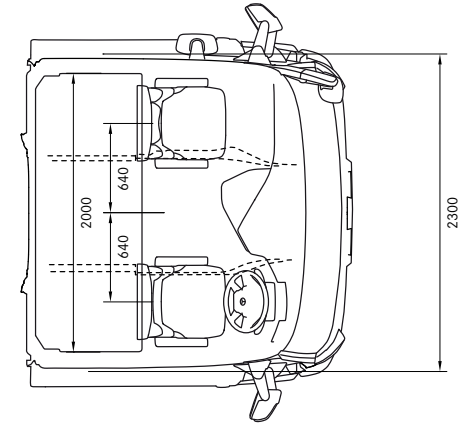
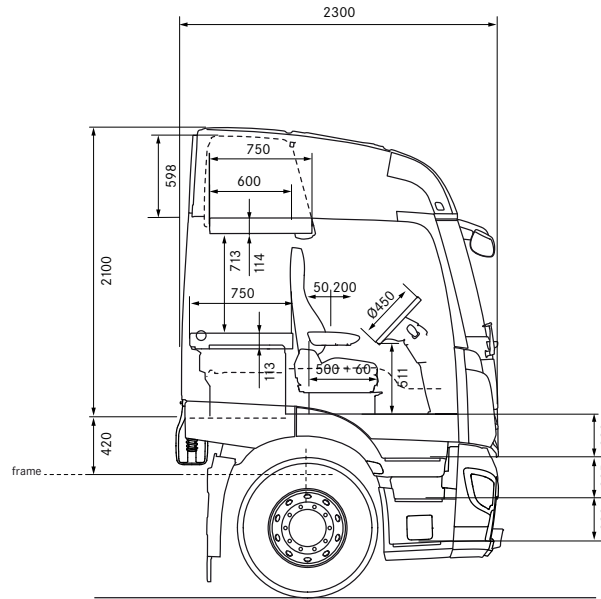
StreamSpace cab (3)

Exterior width: 2300 mm
 Exterior length: 2300 mm
 Headroom on engine tunnel: 1785 mm
 Headroom in front of the seats: 1840 mm



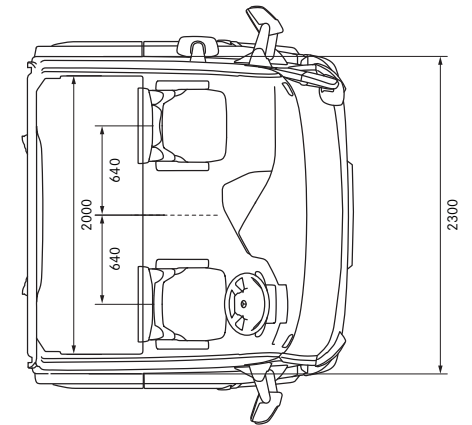
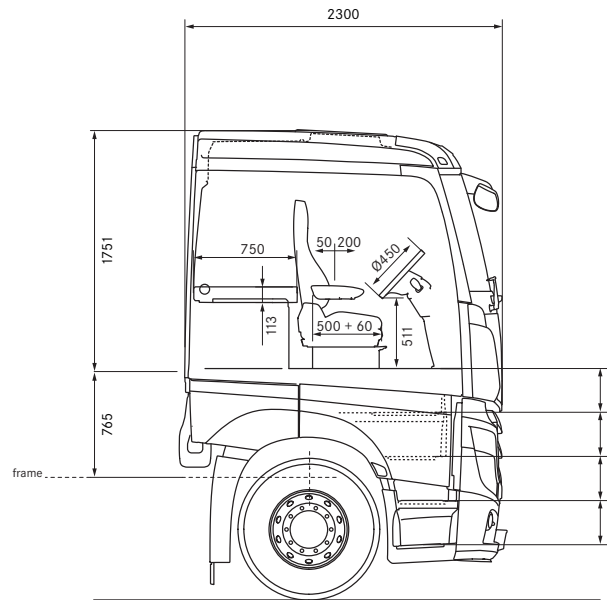
StreamSpace cab (4)

Exterior width: 2300 mm
 Exterior length: 2300 mm
 Headroom on engine tunnel: 1635 mm
 Headroom in front of the seats: 1840 mm



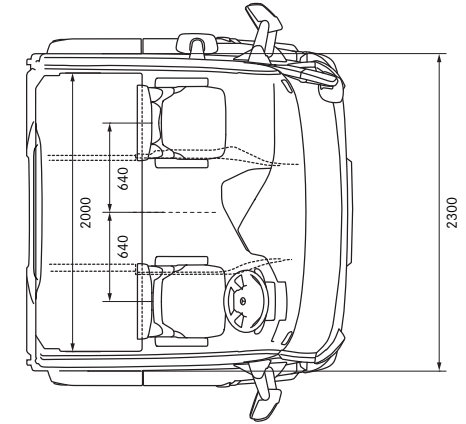
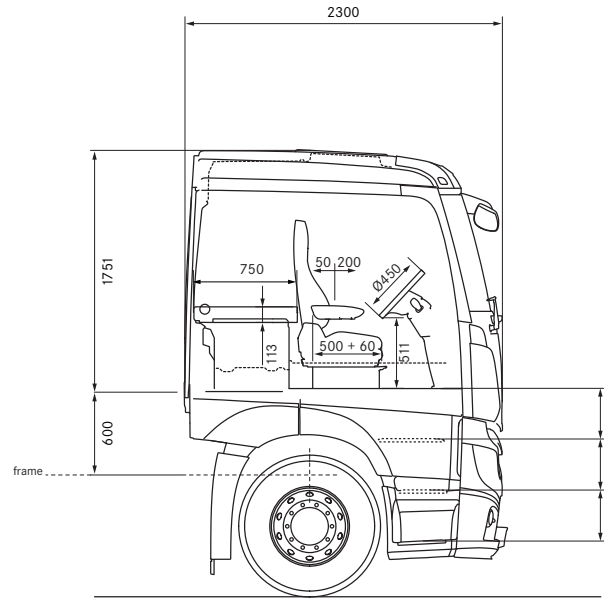
ClassicSpace cab (1)

Exterior width: 2300 mm
 Exterior length: 2300 mm
 Headroom between the seats: 1640 mm
 Headroom in front of the seats: 1590 mm



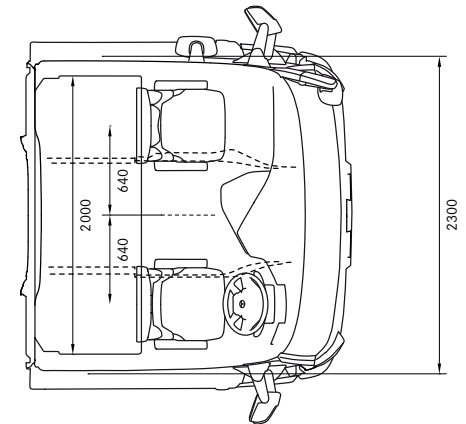
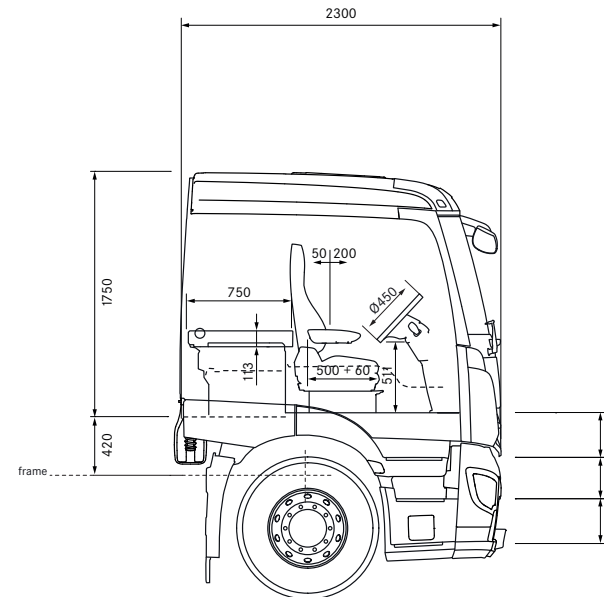
ClassicSpace cab (2)

Exterior width: 2300 mm
 Exterior length: 2300 mm
 Headroom on engine tunnel: 1460 mm
 Headroom in front of the seats: 1590 mm



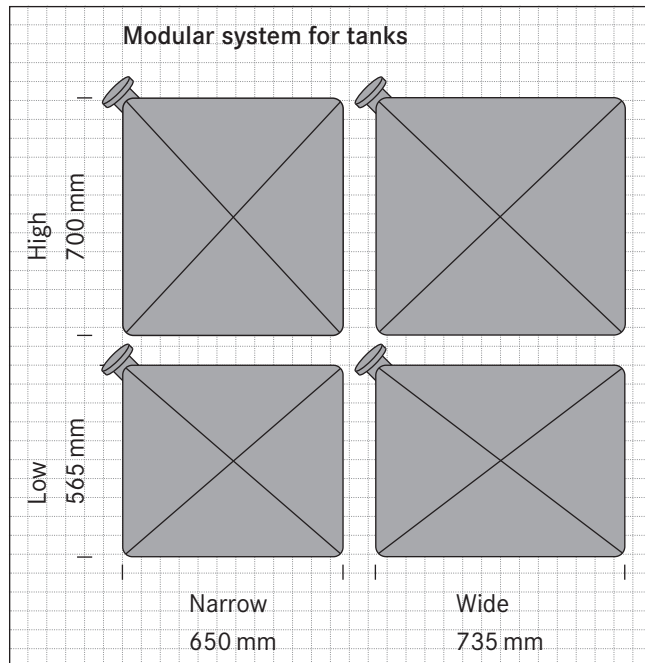
ClassicSpace cab (3)

Exterior width: 2300 mm
 Exterior length: 2300 mm
 Headroom on engine tunnel: 1310 mm
 Headroom in front of the seats: 1590 mm

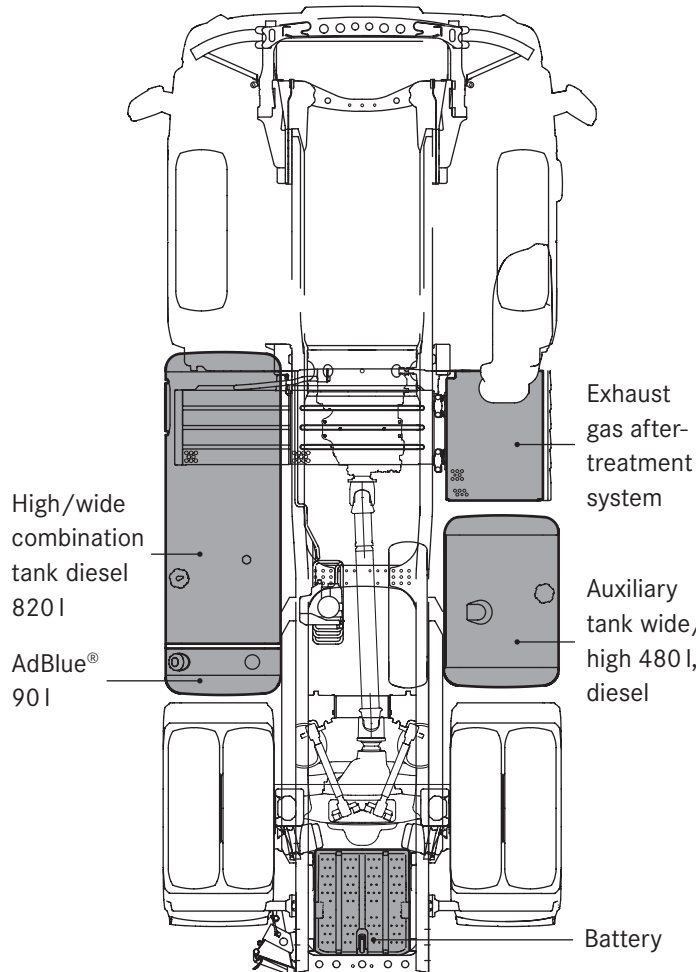


The new Actros – tank variants

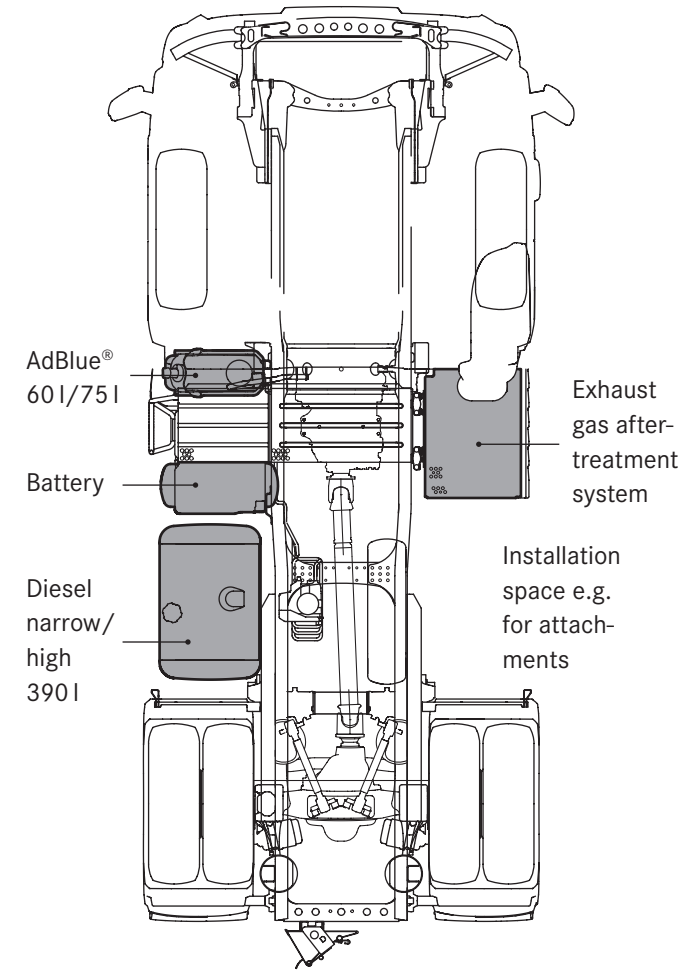
Flexible combination options – within the same tank cross-section different tank volumes can be combined on the left- and right-hand side. This applies to diesel and AdBlue® tanks as well as to combination tanks. The illustrations show two possible variants on tractor units with/without a component-carrier rear end.



Modular system for tanks – the Actros can be equipped with tanks with different heights and widths to suit individual requirements

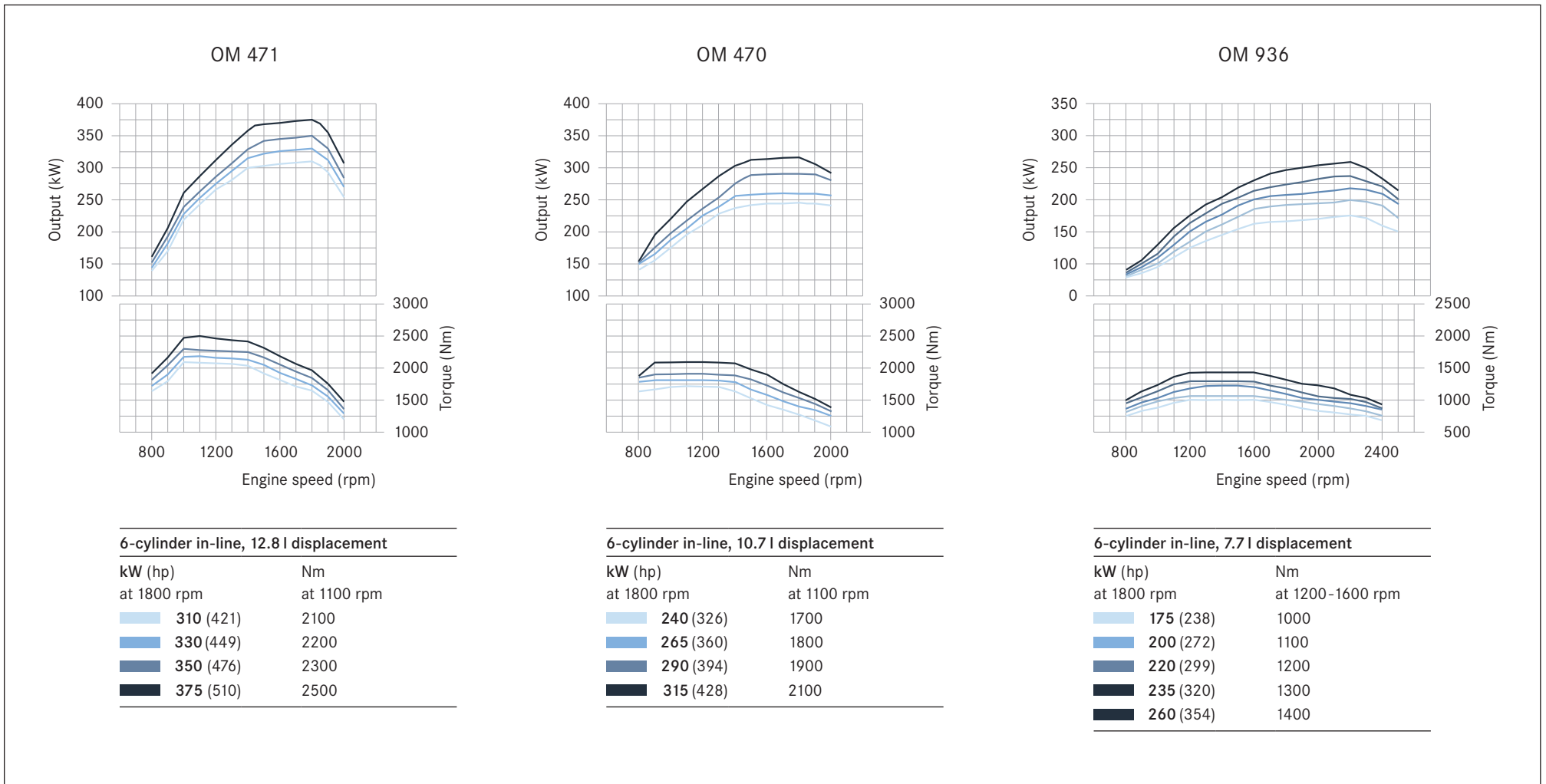


Example of Actros tractor unit tank variant with component-carrier rear end



Example of Actros tractor unit tank variant without component-carrier rear end

The new Actros – engine performance data



The Euro V and Euro VI engines for the new Actros: future-oriented technology, up to **375 kW (510 hp)** and a maximum torque of 2500 Nm

The new Actros – Model overview		1824	1827	1830	1832	1833	1835	1836
6-cylinder in-line engine	Engine name	OM 936	OM 936	OM 936	OM 936	OM 470	OM 936	OM 470
	Output kW (hp)	175 (238)	200 (272)	220 (299)	235 (320)	240 (326)	260 (354)	265 (360)
	Rated Engine speed (rpm)	2200	2200	2200	2200	1800	2200	1800
	Maximum torque (Nm)	1000	1100	1200	1300	1700	1400	1800
	Maximum torque (rpm)	1200 – 1600	1200 – 1600	1200 – 1600	1200 – 1600	1100	1200 – 1600	1100
	Euro V	-	-	-	-	-	-	-
	EEV	-	-	-	-	-	-	-
	Euro VI	x	x	x	x	x	x	x
Cab¹⁾	CompactSpace, engine tunnel 320 mm	-	-	-	-	x	-	x
	CompactSpace, engine tunnel 170 mm	x	x	x	x	x	x	x
	ClassicSpace, engine tunnel 320 mm	x	x	x	x	x	x	x
	ClassicSpace, engine tunnel 170 mm	x	x	x	x	x	x	x
	ClassicSpace, level floor	-	-	-	-	x	-	x
	StreamSpace, 2300 mm wide, engine tunnel 320 mm	x	x	x	x	x	x	x
	StreamSpace, 2300 mm wide, engine tunnel 170 mm	x	x	x	x	x	x	x
	StreamSpace, 2300 mm wide, level floor	-	-	-	-	x	-	x
	StreamSpace, 2500 mm wide, level floor	-	-	-	-	x	-	x
	BigSpace	-	-	-	-	x	-	x
GigaSpace	-	-	-	-	x	-	x	
Wheelbase in mm	Tractor unit with rear air suspension	3550	3550	3550	3550	3550	3550	3550
		3700 ³⁾	3700 ³⁾	3700 ³⁾	3700 ^{2) 3)}	3700 ^{2) 3)}	3700 ^{2) 3)}	3700 ^{2) 3)}
		3850	3850	3850	3850 ²⁾	3850 ²⁾	3850 ²⁾	3850 ²⁾
		4000	4000	4000	4000 ²⁾	4000 ²⁾	4000 ²⁾	4000 ²⁾

The new Actros – Model overview		1824	1827	1830	1832	1833	1835	1836
Wheelbase in mm	Rigid vehicle with rear air suspension	3700	3700 ²⁾	3700 ²⁾	3700 ²⁾	3700 ²⁾	3700 ²⁾	3700 ²⁾
		4000	4000 ²⁾	4000 ²⁾	4000 ²⁾	4000 ²⁾	4000 ²⁾	4000 ²⁾
		4300	4300 ²⁾	4300 ²⁾	4300 ²⁾	4300 ²⁾	4300 ²⁾	4300 ²⁾
		4600	4600 ²⁾	4600 ²⁾	4600 ²⁾	4600 ²⁾	4600 ²⁾	4600 ²⁾
		4900 ³⁾	4900 ^{2) 3)}	4900 ^{2) 3)}	4900 ^{2) 3)}	4900 ^{2) 3)}	4900 ^{2) 3)}	4900 ^{2) 3)}
		5200	5200 ²⁾	5200 ²⁾	5200 ²⁾	5200 ²⁾	5200 ²⁾	5200 ²⁾
		5500 ³⁾	5500 ^{2) 3)}	5500 ^{2) 3)}	5500 ^{2) 3)}	5500 ^{2) 3)}	5500 ^{2) 3)}	5500 ^{2) 3)}
		5800 ³⁾	5800 ^{2) 3)}	5800 ^{2) 3)}	5800 ^{2) 3)}	5800 ^{2) 3)}	5800 ^{2) 3)}	5800 ^{2) 3)}
		6100	6100 ²⁾	6100 ²⁾	6100 ²⁾	6100 ²⁾	6100 ²⁾	6100 ²⁾
		6400	6400 ²⁾	6400 ²⁾	6400 ²⁾	6400 ²⁾	6400 ²⁾	6400 ²⁾
		6700 ³⁾	6700 ^{2) 3)}	6700 ^{2) 3)}	6700 ^{2) 3)}	6700 ^{2) 3)}	6700 ^{2) 3)}	6700 ^{2) 3)}
	Permissible axle load (kg)⁴⁾	Front axle load (standard)	7500	7500	7500	7500	7500	7500
Rear axle load (standard)		11,500	11,500	11,500	11,500	11,500	11,500	11,500
Permissible weights (kg)⁴⁾	Permissible gross vehicle weight	18,000	18,000	18,000	18,000	18,000	18,000	18,000
	Permissible gross combination weight	32,000 ⁵⁾ /40,000	32,000 ⁵⁾ /40,000	32,000 ⁵⁾ /40,000	32,000 ⁵⁾ /40,000	40,000	32,000 ⁵⁾ /40,000	40,000

x Available - Not available ¹⁾ Only L cabs ²⁾ Also available as Actros Loader (payload optimised version)

³⁾ Also available as Actros Volumer (low frame vehicle with front and rear air suspension)

⁴⁾ May vary due to local laws

⁵⁾ Technical gross combination weight

The new Actros – Model overview		1840	1842	1843	1845	1848	1851
6-cylinder in-line engine	Engine name	OM 470	OM 471	OM 470	OM 471	OM 471	OM 471
	Output kW (hp)	290 (394)	310 (421)	315 (428)	330 (449)	350 (476)	375 (510)
	Rated Engine speed (rpm)	1800	1800	1800	1800	1800	1800
	Maximum torque (Nm)	1900	2100	2100	2200	2300	2500
	Maximum torque (rpm)	1100	1100	1100	1100	1100	1100
	Euro V	-	x	-	x	-	x
	EEV	-	x	-	x	-	x
	Euro VI	x	x	x	x	x	x
Cab¹⁾	CompactSpace, engine tunnel 320 mm	x	-	x	-	-	-
	CompactSpace, engine tunnel 170 mm	x	x	x	x	x	x
	ClassicSpace, engine tunnel 320 mm	x	-	x	-	-	-
	ClassicSpace, engine tunnel 170 mm	x	x	x	x	x	x
	ClassicSpace, level floor	x	x	x	x	x	x
	StreamSpace, 2300 mm wide, engine tunnel 320 mm	x	-	x	-	-	-
	StreamSpace, 2300 mm wide, engine tunnel 170 mm	x	x	x	x	x	x
	StreamSpace, 2300 mm wide, level floor	x	x	x	x	x	x
	StreamSpace, 2500 mm wide, level floor	x	x	x	x	x	x
	BigSpace	x	x	x	x	x	x
	GigaSpace	x	x	x	x	x	x
Wheelbase in mm	Tractor unit with rear air suspension	3550	3550	3550	3550	3550	3550
		3700 ^{2) 3)}	3700 ³⁾	3700 ^{2) 3)}	3700 ³⁾	3700 ³⁾	3700
		3850 ²⁾	3850	3850 ²⁾	3850	3850	3850
		4000 ²⁾	4000	4000 ²⁾	4000	4000	4000

The new Actros – Model overview		1840	1842	1843	1845	1848	1851	
Wheelbase in mm	Rigid vehicle with rear air suspension	3700 ²⁾	3700	3700 ²⁾	3700	3700	3700	
		4000 ²⁾	4000	4000 ²⁾	4000	4000	4000	
		4300 ²⁾	4300	4300 ²⁾	4300	4300	4300	
		4600 ²⁾	4600	4600 ²⁾	4600	4600	4600	
		4900 ^{2) 3)}	4900 ³⁾	4900 ^{2) 3)}	4900 ³⁾	4900 ³⁾	4900	
		5200 ²⁾	5200	5200 ²⁾	5200	5200	5200	
		5500 ^{2) 3)}	5500 ³⁾	5500 ^{2) 3)}	5500 ³⁾	5500 ³⁾	5500	
		5800 ^{2) 3)}	5800 ³⁾	5800 ^{2) 3)}	5800 ³⁾	5800 ³⁾	5800	
		6100 ²⁾	6100	6100 ²⁾	6100	6100	6100	
		6400 ²⁾	6400	6400 ²⁾	6400	6400	6400	
		6700 ³⁾	6700 ³⁾	6700 ^{2) 3)}	6700 ³⁾	6700 ³⁾	6700	
	Permissible axle load (kg)⁴⁾	Front axle load (standard)	7500	7500	7500	7500	7500	7500
		Rear axle load (standard)	11,500	11,500	11,500	11,500	11,500	11,500
Permissible weights (kg)⁴⁾	Permissible gross vehicle weight	18,000	18,000	18,000	18,000	18,000	18,000	
	Permissible gross combination weight	40,000	40,000	40,000	40,000	40,000	40,000	

x Available - Not available ¹⁾ Only L cabs ²⁾ Also available as Actros Loader (payload optimised version)

³⁾ Also available as Actros Volumer (low frame vehicle with front and rear air suspension) ⁴⁾ May vary due to local laws

The new Actros – Model overview		2527	2530	2532	2533	2535	2536
6-cylinder in-line engine	Engine name	OM 936	OM 936	OM 936	OM 470	OM 936	OM 470
	Output kW (hp)	200 (272)	220 (299)	235 (320)	240 (326)	260 (354)	265 (360)
	Rated Engine speed (rpm)	2200	2200	2200	1800	2200	1800
	Maximum torque (Nm)	1100	1200	1300	1700	1400	1800
	Maximum torque (rpm)	1200 – 1600	1200 – 1600	1200 – 1600	1100	1200 – 1600	1100
	Euro V	-	-	-	-	-	-
	EEV	-	-	-	-	-	-
	Euro VI	x	x	x	x	x	x
Cab¹⁾	CompactSpace, engine tunnel 320 mm	-	-	-	-	-	-
	CompactSpace, engine tunnel 170 mm	x	x	x	x	x	x
	ClassicSpace, engine tunnel 320 mm	x	x	x	x	x	x
	ClassicSpace, engine tunnel 170 mm	x	x	x	x	x	x
	ClassicSpace, level floor	-	-	-	x	-	x
	StreamSpace, 2300 mm wide, engine tunnel 320 mm	x	x	x	x	x	x
	StreamSpace, 2300 mm wide, engine tunnel 170 mm	x	x	x	x	x	x
	StreamSpace, 2300 mm wide, level floor	-	-	-	x	-	x
	StreamSpace, 2500 mm wide, level floor	-	-	-	x	-	x
	BigSpace	-	-	-	x	-	x
	GigaSpace	-	-	-	x	-	x
Wheelbase in mm	Tractor unit with rear air suspension	2650 ²⁾	2650 ²⁾	2650 ^{2) 3)}	2650 ^{2) 3)}	2650 ^{2) 3)}	2650 ^{2) 3)}
		3250 ⁴⁾	3250 ⁴⁾	3250 ⁴⁾	3250 ⁴⁾	3250 ⁴⁾	3250 ⁴⁾
		3400 ⁴⁾	3400 ⁴⁾	3400 ⁴⁾	3400 ⁴⁾	3400 ⁴⁾	3400 ⁴⁾
		3550 ⁴⁾	3550 ⁴⁾	3550 ⁴⁾	3550 ⁴⁾	3550 ⁴⁾	3550 ⁴⁾

The new Actros – Model overview		2527	2530	2532	2533	2535	2536
Wheelbase in mm	Rigid vehicle with rear air suspension	4000 ⁵⁾	4000 ^{3) 5)}	4000 ^{3) 5)}	4000 ^{3) 5)}	4000 ^{3) 5)}	4000 ^{3) 5)}
		4300 ⁵⁾	4300 ^{3) 5)}	4300 ^{3) 5)}	4300 ^{3) 5)}	4300 ^{3) 5)}	4300 ^{3) 5)}
		4600 ⁵⁾	4600 ^{3) 5)}	4600 ^{3) 5)}	4600 ^{3) 5)}	4600 ^{3) 5)}	4600 ^{3) 5)}
		4900 ⁵⁾	4900 ^{3) 5)}	4900 ^{3) 5)}	4900 ^{3) 5)}	4900 ^{3) 5)}	4900 ^{3) 5)}
		5200 ⁵⁾	5200 ^{3) 5)}	5200 ^{3) 5)}	5200 ^{3) 5)}	5200 ^{3) 5)}	5200 ^{3) 5)}
		5500 ⁵⁾	5500 ^{3) 5)}	5500 ^{3) 5)}	5500 ^{3) 5)}	5500 ^{3) 5)}	5500 ^{3) 5)}
		5800 ⁵⁾	5800 ^{3) 5)}	5800 ^{3) 5)}	5800 ^{3) 5)}	5800 ^{3) 5)}	5800 ^{3) 5)}
		6100	6100 ³⁾	6100 ³⁾	6100 ³⁾	6100 ³⁾	6100 ³⁾
Permissible axle load (kg)⁶⁾	Front axle load (standard)	7500	7500	7500	7500	7500	7500
	Rear axle load (standard)	11,500	11,500	11,500	11,500	11,500	11,500
	Leading axle/trailing axle	7500	7500	7500	7500	7500	7500
Permissible weights (kg)⁶⁾	Permissible gross vehicle weight	26,000	26,000	26,000	26,000	26,000	26,000
	Permissible gross combination weight	44,000	44,000	44,000	44,000	44,000	44,000

x Available - Not available ¹⁾ Only L cabs ²⁾ 22.5" tyred leading axle ³⁾ Also available as Actros Loader (payload optimised version)

⁴⁾ Trailing axle ⁵⁾ Also available as Actros Volumer (low frame vehicle with front and rear air suspension) ⁶⁾ May vary due to local laws

The new Actros – Model overview		2540	2542	2543	2545	2548	2551
6-cylinder in-line engine	Engine name	OM 470	OM 471	OM 470	OM 471	OM 471	OM 471
	Output kW (hp)	290 (394)	310 (421)	315 (428)	330 (449)	350 (476)	375 (510)
	Rated Engine speed (rpm)	1800	1800	1800	1800	1800	1800
	Maximum torque (Nm)	1900	2100	2100	2200	2300	2500
	Maximum torque (rpm)	1100	1100	1100	1100	1100	1100
	Euro V	-	x	-	x	-	x
	EEV	-	x	-	x	-	x
	Euro VI	x	x	x	x	x	x
Cab¹⁾	CompactSpace, engine tunnel 320 mm	-	-	-	-	-	-
	CompactSpace, engine tunnel 170 mm	x	x	x	x	x	x
	ClassicSpace, engine tunnel 320 mm	x	-	x	-	-	-
	ClassicSpace, engine tunnel 170 mm	x	x	x	x	x	x
	ClassicSpace, level floor	x	x	x	x	x	x
	StreamSpace, 2300 mm wide, engine tunnel 320 mm	x	-	x	-	-	-
	StreamSpace, 2300 mm wide, engine tunnel 170 mm	x	x	x	x	x	x
	StreamSpace, 2300 mm wide, level floor	x	x	x	x	x	x
	StreamSpace, 2500 mm wide, level floor	x	x	x	x	x	x
	BigSpace	x	x	x	x	x	x
	GigaSpace	x	x	x	x	x	x
Wheelbase in mm	Tractor unit with rear air suspension	2650 ^{2) 3)}	2650 ²⁾	2650 ^{2) 3)}	2650 ²⁾	2650 ²⁾	2650 ²⁾
		3250 ⁴⁾	3250 ⁴⁾	3250 ⁴⁾	3250 ⁴⁾	3250 ⁴⁾	3250 ⁴⁾
		3400 ⁴⁾	3400 ⁴⁾	3400 ⁴⁾	3400 ⁴⁾	3400 ⁴⁾	3400 ⁴⁾
		3550 ⁴⁾	3550 ⁴⁾	3550 ⁴⁾	3550 ⁴⁾	3550 ⁴⁾	3550 ⁴⁾

The new Actros – Model overview		2540	2542	2543	2545	2548	2551
Wheelbase in mm	Rigid vehicle with rear air suspension	4000 ^{3) 5)}	4000 ⁵⁾	4000 ^{3) 5)}	4000 ⁵⁾	4000 ⁵⁾	4000 ⁵⁾
		4300 ^{3) 5)}	4300 ⁵⁾	4300 ^{3) 5)}	4300 ⁵⁾	4300 ⁵⁾	4300 ⁵⁾
		4600 ^{3) 5)}	4600 ⁵⁾	4600 ^{3) 5)}	4600 ⁵⁾	4600 ⁵⁾	4600 ⁵⁾
		4900 ^{3) 5)}	4900 ⁵⁾	4900 ^{3) 5)}	4900 ⁵⁾	4900 ⁵⁾	4900 ⁵⁾
		5200 ^{3) 5)}	5200 ⁵⁾	5200 ^{3) 5)}	5200 ⁵⁾	5200 ⁵⁾	5200 ⁵⁾
		5500 ^{3) 5)}	5500 ⁵⁾	5500 ^{3) 5)}	5500 ⁵⁾	5500 ⁵⁾	5500 ⁵⁾
		5800 ^{3) 5)}	5800 ⁵⁾	5800 ^{3) 5)}	5800 ⁵⁾	5800 ⁵⁾	5800 ⁵⁾
		6100 ³⁾	6100	6100 ³⁾	6100	6100	6100
Permissible axle load (kg)⁶⁾	Front axle load (standard)	7500	7500	7500	7500	7500	7500
	Rear axle load (standard)	11,500	11,500	11,500	11,500	11,500	11,500
	Leading axle/trailing axle	7500	7500	7500	7500	7500	7500
Permissible weights (kg)⁶⁾	Permissible gross vehicle weight	26,000	26,000	26,000	26,000	26,000	26,000
	Permissible gross combination weight	44,000	44,000	44,000	44,000	44,000	44,000

x Available - Not available ¹⁾ Only L cabs ²⁾ 22.5" tyred leading axle ³⁾ Also available as Actros Loader (payload optimised version)

⁴⁾ Trailing axle ⁵⁾ Also available as Actros Volumer (low frame vehicle with front and rear air suspension) ⁶⁾ May vary due to local laws

Everything you need for long-distance transport. The new Actros. The most important facts in brief



A higher level of comfort – the new Actros offers maximum comfort for driving, working and living

- Five cabs: CompactSpace, ClassicSpace, StreamSpace, BigSpace, GigaSpace. With more interior capacity, stowage space and freedom of movement than the predecessors
- Eleven cab variants for use in national and international long-distance transport
- The completely redesigned workplace with newly developed seats in a light, friendly ambience facilitates concentrated, stress-free work
- All controls are ergonomically arranged, and can be operated easily and intuitively; the standard-fit automated transmission enhances ride comfort even further
- The well-thought-out living concept and the homely interior design ensure a high degree of relaxation during breaks
- Newly developed, very generously sized comfort beds encourage restful sleep – on both the top and bottom



Increased economy – the new Actros impresses with considerably reduced overall costs – from day one

- Pioneering fuel savings of up to 7% with Euro V and up to 4% with Euro VI in comparison with their Euro V predecessors. The optimised drive system with very frugal, efficient engines, sophisticated aerodynamics and many further technical innovations form the basis for these
- The innovative Predictive Powertrain Control assistance system can save as much as a further 3% of fuel
- Through the optimised combination of innovative vehicle technology and leading services the new Actros represents a lower-cost, particularly profitable global solution in long-distance transport
- The combination of different services increases economy even further



Impressive driving dynamics – the new Actros is simple, safe and almost effortless to drive and to steer

- Through the optimisation and redevelopment of all the chassis, suspension and drive system components the new Actros offers the ideal balance of ride comfort, direct road feel and best-possible vehicle control
- The new suspension offers outstanding driving stability and precise steering characteristics
- The high-torque engines with their immediate response and the perfectly matched transmission/rear axle combinations facilitate high ride comfort and a driving style which reduces wear and consumption – and provide a high level of driving enjoyment
- Advanced Mercedes PowerShift 3 12-speed automated transmission as standard
- Driver assistance and safety systems ease the burden on the driver in stressful and critical driving situations



More possibilities – the new Actros offers a vehicle perfectly tailored to meet your requirements for virtually every application in long-distance transport. Extended product portfolio includes:

- Additional cab variants
- Wide selection of rear axle ratios
- Flexible combination options between tank systems on the left- and right-hand side (within the same tank cross-section)
- Improved body-mounting ability and lower body-mounting costs, for example through extended and optimised wheelbase range and selectable frame overhangs and end cross members
- Consistency in range of engines and cabs across all wheelbases



Quality services facilitate a high level of vehicle uptime and maximum mobility – and increase the profitability of the new Actros in long-distance transport

- FleetBoard® inside: TiiRec on-board computer fitted as standard in the vehicle, 4-month test phase free-of-charge for customers new to FleetBoard®¹⁾
- Mercedes-Benz Financial Services for individual financing and leasing solutions
- Extensive workshop network with approx. 1800 service outlets and extended workshop opening hours throughout Europe
- Mercedes-Benz Service24h
- Mercedes-Benz DriverTraining²⁾
- Application Information Centre in Würth

¹⁾ Terms & conditions and service fees following test phase will apply.

Speak to your local Mercedes-Benz dealer for further information

²⁾ A BlueEfficiency Power service

Please note: changes may have been made to the product since this brochure went to press (15.06.2012). The manufacturer reserves the right to make changes to the design, form, colour and specification during the delivery period, provided these changes, while taking into account the interests of the vendor, can be deemed reasonable with respect to the purchaser. Where the vendor or the manufacturer uses symbols or numbers to describe an order or the subject of an order, no rights may be derived solely from these. The illustrations may show accessories and items of special equipment which are not part of standard specification. Colours may differ slightly from those shown in the brochure, owing to the limitations of the printing process. This brochure may also contain models and services which are not available in certain countries. This brochure is distributed internationally. It provides a general indication of the range of models, features, special equipment and/or colours available in various countries. Some of the models, features, special equipment and/or colours may not be available in your country, or may only be available in a different specification. Additionally some models, features, special equipment and/or colours may only be available in combination with others. For current and more specific information relating to the range of models, features, special equipment and/or colours available in your country, and their pricing, you should contact your nearest Mercedes-Benz truck dealer.

Telligent®, FleetBoard® and BlueTec® are registered trademarks of Daimler AG. www.mercedes-benz.co.uk/the-new-actros