

RENAULT TRAFIC PASSENGER VEHICLE



(Enter Renault's world at Sky Guide 883 and www.renault.tv)

CHARTERHOUSE, JULY 2012.

Renault U.K. Limited Customer Relations, The Rivers Office Park, Denham Way, Maple Cross, Rickmansworth, Hertfordshire WD3 9YS-Tel:0800 52 51 50.



Although every effort has been made to ensure that the information contained within this brochure is as accurate and up to date as possible, Renault U.K. reserves the right to modify its models without notice including their characteristics, specifications, equipment and accessories. Brochures inevitably become out of date or inaccurate in some respects, in that such characteristics, equipment, specifications or accessories may be changed after the publication date given below and can differ from the descriptions given. It is therefore necessary to check with your Renault dealer before purchasing any product that the characteristics, specifications, equipment or accessories of the vehicle on order are as advertised.
Publication date July 2012.

RENAULT TRAFIC PASSENGER VEHICLE



DRIVE THE CHANGE



**TRAFIC PASSENGER VEHICLE
TRAVEL IN COMFORT,
ADAPTABLE, PRACTICAL AND ECONOMICAL.
THE NEW TRAFIC 9 SEATER...**



**AN IRRESISTIBLE INVITATION
TO GET UP AND GO.**





FLEXIBILITY IS SECOND NATURE

The Trafic Passenger Vehicle serves as a large people and goods carrier making it ideal for transporting your employees or clients in absolute comfort.

- Eight or nine seat versions available (nine as standard)

Trafic offers excellent versatility with numerous storage options and an adaptable loading area:

- Choose between two wheelbases
- Large and adaptable loading area: Up to 3.4 m³ with the bench seat folded





THE ART OF TRAVEL

The Traffic Passenger Vehicle gives you a comfortable journey with a complete suite of equipment. You can save time on journeys with the reliability of Carminat TomTom® Live navigation. The navigation remote control has its own storage space, there's a new A4 compartment on the dashboard to hold your documents, and central storage pockets make the most of all the free room available. Climate control guarantees everyone's comfort, the trip computer monitors your fuel consumption and the new range offers Bluetooth® technology and connectivity for your portable devices*.

* With the multi-functional TunePoint

Note: Some features may be optional depending on version



TRAFIC PASSENGER *Sport*



INTRODUCING THE MOST STYLISH VEHICLE EVER

With Trafic Passenger Sport, combine style, pleasure and practicality. Trafic Passenger Sport boasts all the functionality and look that have made Trafic a resounding business success. On top of that, we've added some 'sporty' extras, like alloy wheels, all round metallic paint and air conditioning.



SAFETY ON A GRAND SCALE

When it comes to safety, the Trafic Passenger Vehicle raises the bar. Now, cruise control adds to a whole group of safety devices in the range. It's activated from the dashboard for perfect ergonomics, and controls are easily reachable on the steering wheel. Being forewarned about everyday risks is the first link in a safety chain that uses the most innovative systems, such as automatic headlights and wipers. So in difficult situations, the Trafic Passenger Vehicle helps you to stay in control: ABS brakes coupled with EBD (Electronic Brake Distribution), and with the help of Brake Assist plus dynamic ESC (Electronic Stability Control) driving control help you keep on track at all times.

Finally, to protect driver and passengers, there are various airbags as standard or optional (driver airbag, passenger airbag and front curtain airbags). And that's not to mention top class safety belt systems, and ISOFIX fixings that secure the position of child seats.

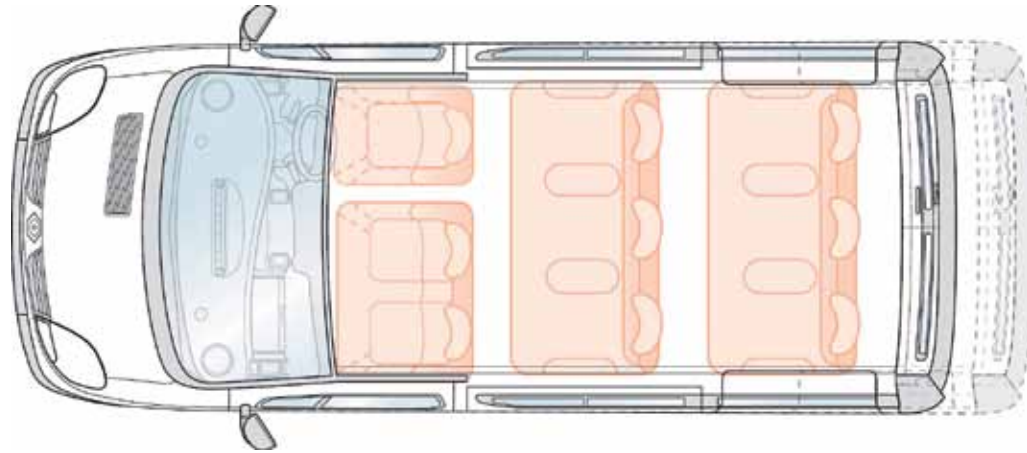
Note: Some equipment may be optional depending on version



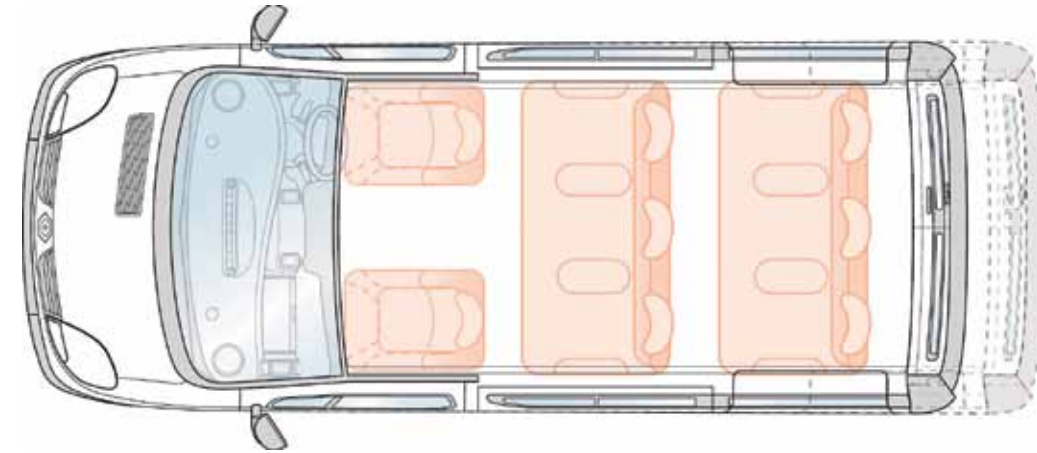
PASSENGER DIMENSIONS AND SEAT LAYOUTS

	Boot-to-parcel shelf volume (m ³)	Under-roof volume (m ³)	Under-roof volume with third row of seats folded (m ³)
Short wheelbase low roof 2.7t	0.7	1.2	2.5
Short wheelbase low roof 2.9t	0.7	1.2	2.5
Long wheelbase low roof 2.9t	1.1	2.2	3.4

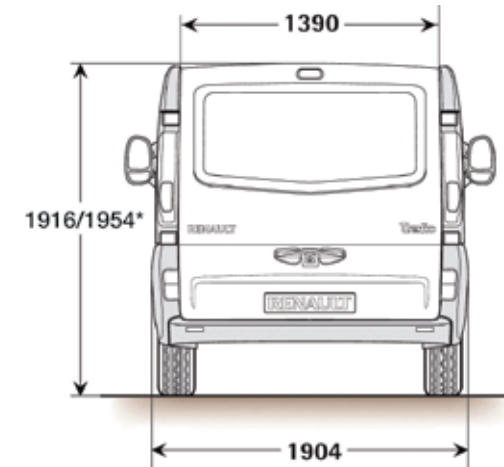
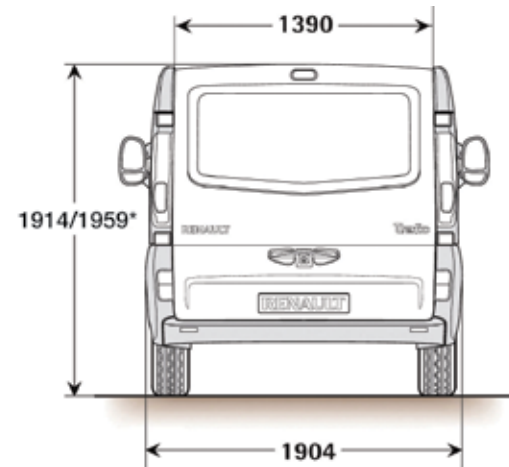
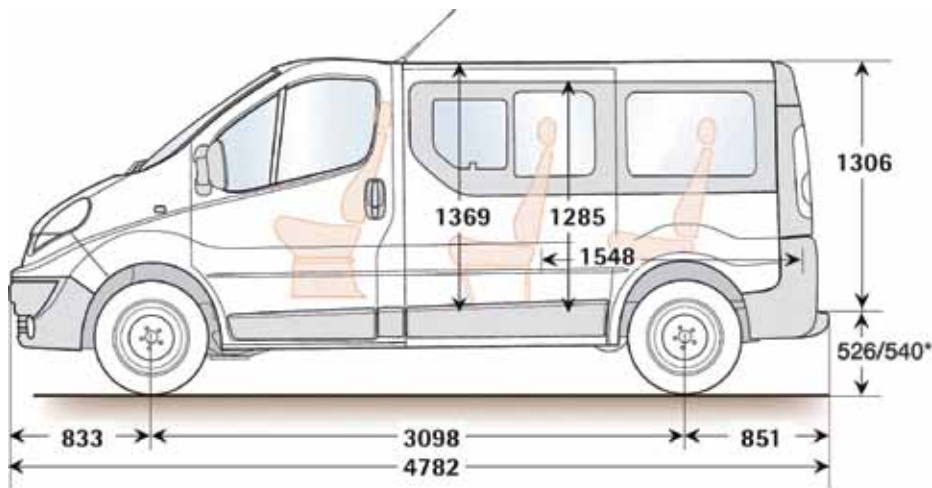
9 SEATS (STANDARD)



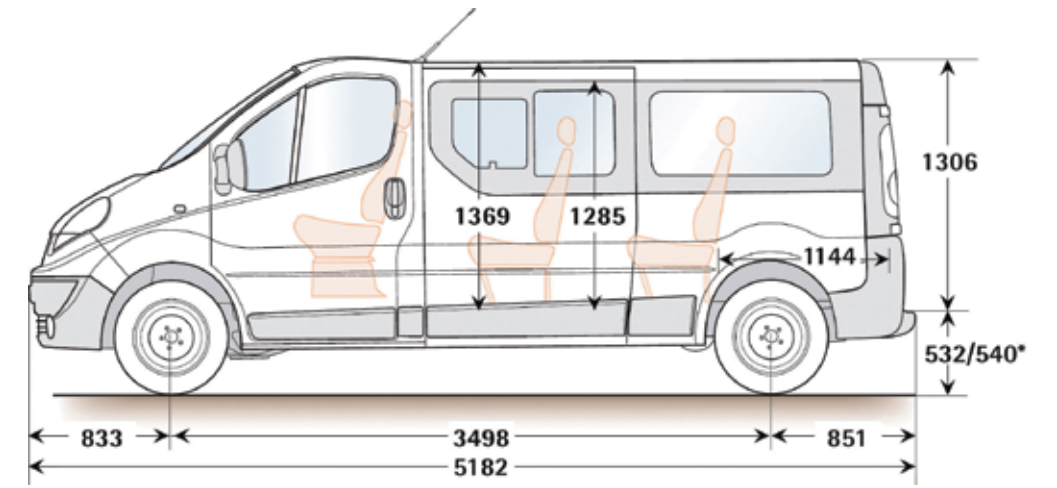
8 SEATS (OPTIONAL)



SHORT WHEELBASE LOW ROOF



LONG WHEELBASE LOW ROOF



* Depending on engines

EQUIPMENT



1

1. SLIDING SIDE DOORS

Make access to the 2nd and 3rd rows quick and easy.

2. FRONT DOOR STORAGE

Can hold a 2L bottle of water and a clipboard or diary.

3. GLOVEBOX

Big enough to hold a 1.5 L bottle, and practical, with a sunglasses holder built into the door. It is also lit and cooled (if you have air conditioning).

4. BOOT WITH LUGGAGE SUPPORTING NET

Gives 2,150L of usable volume under the roof in the long wheelbase version. The luggage supporting net protects passengers from items moving about during any sudden hard braking.



2



3



4



5

5. RECLINING SEAT BACK AND FOLDING BENCH SEAT

On the third row, the seat back can be reclined and/or folded to give a large loading area in double quick time (2,500 litres of usable space on the Passenger short wheelbase low roof version, yet still with up to 6 seats).

6. REMOVABLE BENCH SEAT

The last row of the Passenger's seats can be easily removed, freeing up to 4 m³ of usable space.



6

COMFORT

1. RADIO CD MP3 BLUETOOTH® AND AUX POINT*

Play your MP3 files, and use your hands-free kit to stay connected wherever you are.

*We recommend you pull over into a safe place before using the phone.

2. MULTI-FUNCTIONAL TUNEPPOINT

Connect your music player using the USB and iPod plugs, then operate the system through the steering wheel controls.



3. CARMINAT TOMTOM® LIVE

Calculate the best route with real time traffic information, speed camera alerts and everything clearly displayed on the large colour screen. This lets you save time and reduce fuel consumption, too. European maps are available as an additional option.

4. TRIP COMPUTER

Displays information such as distance covered, average speed, total and average fuel consumption, current speed and remaining fuel range.



5. ELECTRIC PACK

Front electric windows and self-defrosting electric mirrors.

6. STEERING WHEEL - LEATHER

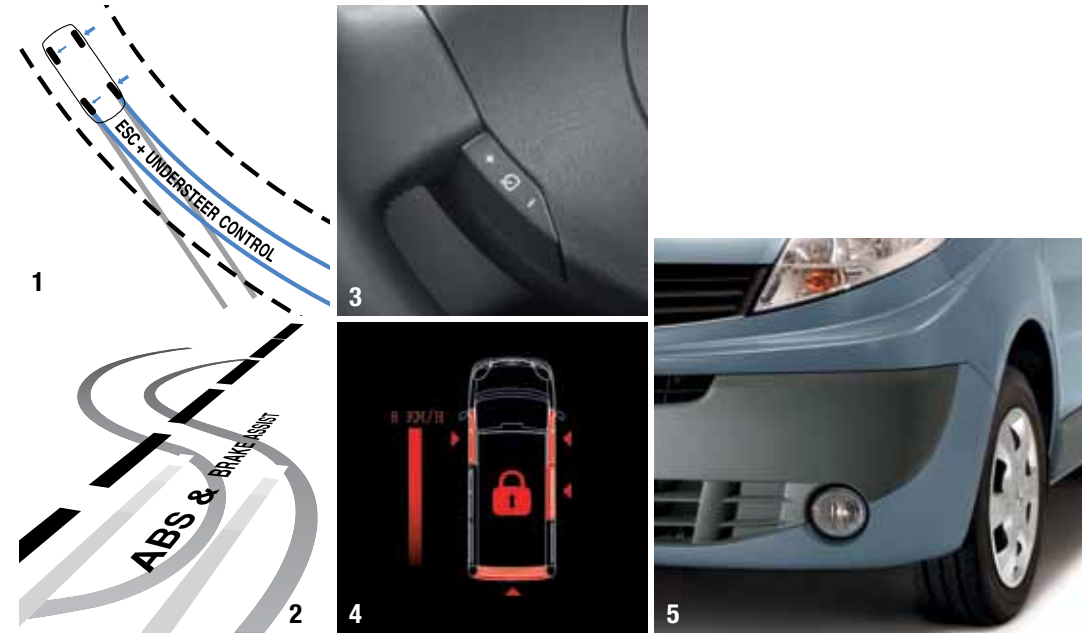
7. CLIMATE CONTROL

With electronic temperature settings and displays, quick demist and a sunshine sensor.

8. AIR CONDITIONING



SAFETY



1. ESC (ELECTRONIC STABILITY CONTROL)

With ASR traction control and engine torque control. It detects the load level to adjust its activation point and give you the best possible corrections in direction.

2. ABS WITH BRAKE ASSIST

Anti-lock braking system, with Electronic Brake Distribution (EBD) and Brake Assist.

3. SPEED LIMITER

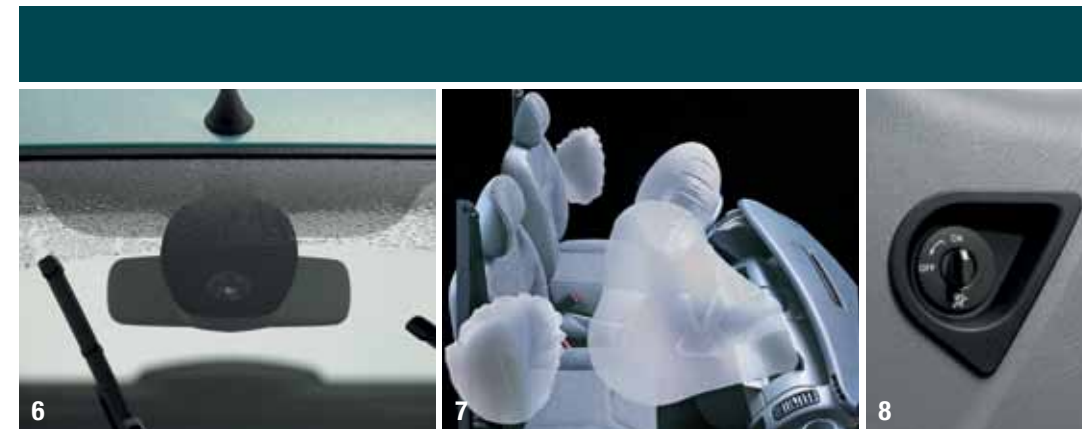
Gives the driver full control over acceleration, slowing and braking for any speed below the one that is selected. In an emergency, where instant acceleration is needed, a 'kick-down' system overrides the cruise control.

4. R.A.I.D. (RENAULT ANTI INTRUDER DEVICE)

Automatic door locking when driving - for increased safety, doors automatically lock at speeds over 5mph (8km/h).

5. FRONT FOG LIGHTS

Improve visibility in fog or heavy rain.



6. AUTOMATIC HEADLIGHTS AND WIPERS

Detects levels and automatically adjusts the strength of your headlights and windscreen wiper speed. The sensitivity can be adjusted by the driver.

7. AIRBAG SYSTEM

There are various airbags as standard or optional on the Trafic: driver airbag, passenger airbag and front curtain airbags (availability depends on version).

8. PASSENGER AIRBAG DEACTIVATION

This lets you use a child seat in the front (regulations permitting).

ACCESSORIES

TOURING

1. ROOF RACK

This top quality roof rack is precision engineered, easily installed, and modular for heavier loads. The maximum load is 130kg, and it's fitted with a rear roller to facilitate loading.

2. INTEGRATED ROOF BARS

Carry up to 150kg (3 bars) with our integrated roof bars. Easily fitted, these steel bars have been intensively tested to guarantee performance and resistance to corrosion.

3. LADDER AND PROTECTIVE GRILLES

The ladder attaches to the rear door of your Traffic. It helps when loading the roof rack, and carries a maximum load of 100kg. The window grilles give protection against break-ins through the rear doors.

TOW BAR

4. STANDARD BALL

5. UNIVERSAL COUPLING

6. 'PINTLE HOOK' WITH BALL

Choosing a towbar naturally involves making decisions about quality and safety. Renault goes above and beyond even the strictest European standards (CE 94/20). But, thanks to further testing, Renault have also made sure that your vehicle won't be damaged, even with intensive commercial towbar use. Finally, Renault also take the most demanding climatic conditions into account by applying an anti-corrosion surface treatment. A range of different tow balls and hitches are also available.



SPORT AND DESIGN

7. LEATHER UPHOLSTERY

Add a touch of luxury and make your Traffic undeniably yours with this premium quality leather upholstery.

PROTECTION AND COMFORT

8. NOVESTRA RUBBER MATS

Since they're waterproof, they can conveniently be hosed clean. They also protect your vehicle's floor from wear, mud and moisture. Hard wearing and practical, they are made to measure for your vehicle.

9. INTEGRATED BLUETOOTH KIT

An advanced, integrated, hands free mobile phone communication system, designed to integrate perfectly into your Traffic and achieve a factory fitted appearance.

10. FIRE EXTINGUISHER

Genuine Renault 1kg powder fire extinguisher.

11. SEAT COVERS

To protect the upholstery of your Traffic Passenger vehicle, choose the Heavy Duty cover specifically designed for heavy use.

TRIM



UPHOLSTERY



- 1. 'Galatone' upholstery - standard on Core version
- 2. 'Elba' upholstery - optional on Standard version and Core version
- 3. 'Blue Elba' upholstery - standard on Sport version

COLOURS



NM = Non Metallic Paint MS = Metallic Supergloss Paint MI = Metallic Illusion

It should be noted that printing limitations do not permit the subtle paintwork shades on these pages to be shown with absolute accuracy. Only personal inspection of the Trafic at your Renault Dealer will reveal it in its true colours. From time to time changes are made to the colour range. Please check availability with your Renault Dealer.

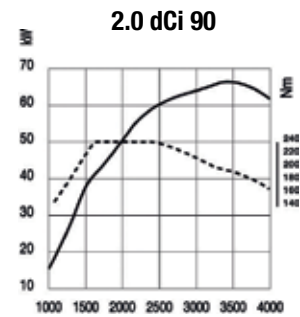
* On Sport versions, only those colours are available.

WHEELS



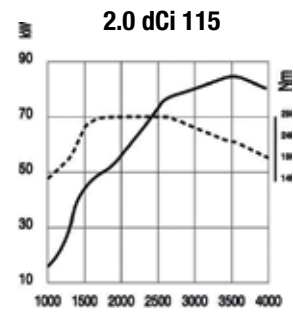
- 1. Large wheel stylers - standard on Core version
- 2. Alloy wheel - standard on Sport version and optional on Core version

ENGINES



2.0 dCi 90

Ideal in urban areas, it has 240 Nm (175 ft/lb) of torque.



2.0 dCi 115

With a maximum torque of 290 Nm (214 ft/lb), this delivers an excellent balance of performance and consumption. The 2.0 dCi Renault engine offers the best in diesel technology. It's environmentally friendly, quiet, smooth and lively at all speeds, while staying fuel efficient and reliable.



SEMI-AUTOMATIC QUICKSHIFT SIX-SPEED GEARBOX

Whether you choose fully automatic or manual mode, its technology combines and makes the most of the best in automation, comfort and safety, while keeping all the driving qualities of a traditional clutch.

TECHNICAL SPECIFICATIONS

	6 Speed Manual Gearbox E5		6 Speed Quickshift E5
ENGINE	115	90	115
Engine (hp)	90	115	115
Euro status	Euro 5	Euro 5	Euro 5
Max power (kW)	66	84	84
Max power (rpm)	3500	3500	3500
Max torque Nm (rpm)	240 (1600)	290 (1600)	291 (1600)
Cylinders	4	4	4
Valves	16	16	16
Engine capacity (cm ³)	1,996	1,996	1,996
Injection type	Commonrail	Commonrail	Commonrail
Turbo type	Fixed	Fixed	Fixed
Fuel type	Diesel	Diesel	Diesel
Fuel tank capacity (litres)	90		90
STEERING AND BRAKING	Power-assisted / reference rims 16"		
ø steering between pavements / walls (m)	Short Wheelbase: 11.84 / 12.40 Long Wheelbase: 13.70 / 13.73		
ABS with AFU and EBD / adaptive ESC with ASR	● / ○	● / ○	● / ○
Front: Ventilated discs, Rear: Full discs (ø / width (mm))	305/28 - 280/12		305/28 - 280/12
PERFORMANCE			
Maximum speed mph (kph)	90 (145)	99 (160)	99 (160)
VERSIONS			
SWB 9 SEAT			
SL27	●	-	-
SL29	●	●	●
LWB 9 SEAT			
LL29	●	●	●
SPORT SWB 9 SEAT			
SL27	-	●	●
SPORT LWB 9 SEAT			
LL29	-	●	●

FUEL CONSUMPTION

	Version	CO ₂ emissions (g/km)	Urban	Extra urban	Combined	Gross train weight	Maximum payload	Kerb weight
EURO 5								
	SL27 dCi 90	180	32.8	47.9	40.9	4810	978	1912
	SL27 dCi 115	180	32.8	47.9	40.9	4810	978	1912
SWB	SL27 dCi 115 Quickshift6	180	36.7	44.1	40.9	4810	978	1912
	SL29 dCi 90	180	32.8	47.9	40.9	4860	1028	1912
	SL29 dCi 115	180	32.8	47.9	40.9	4860	1028	1912
	SL29 dCi 115 Quickshift6	180	36.7	44.1	40.9	4860	1028	1912
LWB	LL29 dCi 90	200	30.7	42.2	37.2	4975	1148	1912
	LL29 dCi 115	200	30.7	42.2	37.2	4975	1148	1907
	LL29 dCi 115 Quickshift6	197	33.2	40.9	37.7	4975	1148	1907
	SL27 dCi 115	200	30.7	42.2	37.2	4810	989	1901
SPORT SWB / LWB	SL27 dCi 115 Quickshift6	197	33.2	40.9	37.7	4810	989	1901
	LL29 dCi 115	200	30.7	42.2	37.2	4975	1148	1907
	LL29 dCi 115 Quickshift6	197	33.2	40.9	37.7	4975	1148	1907

RENAULT PRO+

A SIGN OF SERVICE

A forerunner in service since the creation of Renault Business Centres in 1999, of which there are now more than 700 outlets in 20 countries, today Renault reinforces its services for professionals and commercial vehicle customers with the introduction of “RENAULT PRO+”. For more information, visit www.renault.co.uk/pro+

At Renault, we understand that your vehicles are your most important work tool and so the RENAULT PRO+ network is guided by three main principles:



01

The expertise of your advisor who has an extensive understanding of your trade

At Renault Pro+ you are dealing with professionals: all of our employees are trained with your professional needs in mind. With their knowledge of commercial vehicles and fleet business, they are able to take care of your operational needs and create mobility solutions tailor made for you.



02

A “One Stop Shop” where all your service needs are taken care of to guarantee your mobility

Because you need to save time, all Renault services have been relocated to a bespoke centre, providing new and used vehicle sales, after sales, finance, service and maintenance.



03

The RENAULT PRO+ business customer promise

In order to optimise your commercial vehicle investments and to guarantee the continuity of your business, Renault Pro+ promises to offer you...

- Specialist commercial vehicle sales and after sales advisors.
- A comprehensive display of cars and commercial vehicles, including converted vehicles.
- A large choice of cars and commercial vehicles available for test drives.
- A personalised finance proposal in under 48 hours.
- Extended Service hours for business users.
- A detailed invoice and an estimation of work time for all repair work.
- A courtesy vehicle, most applicable to your needs.
- Maintenance and repair work up to 7 tonnes.
- Within the hour diagnostics.
- A maximum 48 hours lead time for service and repair.

WHO BETTER THAN RENAULT TO SERVICE YOUR RENAULT?

RENAULT NETWORK SERVICES

No-one is better placed than Renault to maintain, fit and repair your Renault, fast. The Renault Minute (maintenance and repair with no appointment necessary) and Renault Rapide Bodycare (bumper scuffs, dings and dents, windscreen, stone chips and interior repairs...) services deliver the highest level of repair and maintenance and offer a full year's guarantee on Original Renault Parts. And don't forget to have a look at our wide range of additional equipment and accessories!

SERVICE INTERVALS

18,000 miles / 2 years:

- Kangoo Van dCi 75/90/110
- Kangoo Van P105 Auto
- Master 17 seat Minibus dCi 125

1st Service at 12,500 miles / 1 year Z.E. Service at 25,000 miles / 2 years then every 25,000 miles / 2 years:

- Kangoo Van Z.E

25,000 miles / 2 years:

- New Master all engines (excluding 17 seats Minibus)
- Trafic all engines

Z.E. SERVICES

When buying your Electric Vehicle why not take advantage of the additional services that are available, such as Z.E. Connect, an application for your smart phone and an online site that

will give you remote battery charge status (level of charge, time remaining, range available and issues with charging) and it will alert you when the battery energy is low and also keep track of your charging history.

RENAULT VAN INSURANCE

Call

0845 603 8258

for a quote and instant cover or visit

www.renaultvaninsurance.co.uk

RENAULT VAN INSURANCE Not just a solution, *the* solution.

A van as well designed as your Renault deserves an insurance policy to match.

Renault Van Insurance has been specifically created to provide superb protection for you and your van. In addition to a very competitive premium, Renault Van Insurance also includes: Your van returned to its preaccident condition; a like for like replacement if written off in first 12 months of registration; signage cover included in your premium; windscreen cover; repairs carried out by Renault Approved Repair Centres using only genuine Renault Parts.

Renault Van Insurance offers unbeatable protection, only fitting genuine Renault replacement parts at Renault Approved Accident



Repair Centres to preserve the safety found in all our vehicles.

Lines open 8am-8pm weekdays, 9am-5pm Saturdays and 10am-3pm Sundays. Calls may be recorded.

RENAULT Z.E. INSURANCE:

0800 500 3108

www.renault-ze.com

FREE 5 DAY INSURANCE COVER

Drive away in your new van on the same day, with Cover to Go, the new 5-day FREE policy from Renault.

When you call the Cover to Go hotline, we'll also give you a no-obligation quote for a full annual policy. That way, once your 5-day cover expires, you'll have the peace of mind of knowing that you're covered.

Just ask your Renault Dealer for more details.

All quotes are based on individual circumstances and are subject to insurers underwriting criteria. Renault Insurance is arranged and administered by Equity Direct Broking Limited, which is authorised and regulated by the Financial Services Authority. Registered Office: Library House, New Road, Brentwood, Essex, CM14 4GD. Registered in England & Wales No. 6710272

CUSTOMER RELATIONS

Renault knows the value of communicating with its customers and we have established effective ways to keep in touch with you.

If after speaking to your local Renault dealership you are not completely satisfied, please contact the Renault UK Customer Relations Department on **08000 72 33 72** (Mon-Fri 9.00am to 5.30pm, except Weds 10.00am to 5.30pm. Closed on Bank Holidays).

You can also visit our website www.renault.co.uk Or write to us at: **Renault UK Ltd, The Rivers Office Park, Denham Way, Maple Cross, Rickmansworth, Hertfordshire, WD3 9YS.**