

# GL-Class price list

Effective from 1 April 2014



Mercedes-Benz

# Contents

Model prices	5	Colours and materials	28
Finance offers	6	Technical specifications	32
Model lines	10	Road Fund Licence	36
Standard equipment	14	Services and benefits	37
Wheels	19	Mercedes-Benz Finance and Insurance	38
Optional equipment	20		

# The hard facts to melt your heart

At Mercedes-Benz we appreciate the importance of detail. Over the following pages you'll find model prices and a breakdown of standard and optional equipment, as well as details of the comprehensive services and benefits that are available to every Mercedes-Benz driver.

See Mercedes-Benz in a new light. Now is the time to get yourself behind the wheel of a GL-Class. Choose from a number of attractive finance offers. Please see pages 6-9 for further details, or visit [www.mercedes-benz.co.uk/offers](http://www.mercedes-benz.co.uk/offers)

Of course, some things have to be experienced to be truly appreciated, such as the qualities that set a Mercedes-Benz apart. Which is why we'd like to invite you for a test drive at your local Mercedes-Benz Retailer. Alternatively, you can make arrangements by visiting [www.mercedes-benz.co.uk/testdrive](http://www.mercedes-benz.co.uk/testdrive)

For more information visit [www.mercedes-benz.co.uk](http://www.mercedes-benz.co.uk) or call 0808 156 6606.



# Model prices

Engine	Model line	Transmission	CO <sub>2</sub>	Basic RRP excl. VAT (£)	Total RRP incl. VAT (£)	Road Fund Licence (£) <sup>1</sup>	Rec. OTR price (£) <sup>2</sup>	P11D value (£)	BiK tax rate 2014/15 (%)
<b>GL 350 BlueTEC</b> Diesel – 2,987 cc, 6-cylinder, 258 hp/190 kW	AMG Sport	7G-Tronic Plus 7-speed automatic	209	49,008.33	58,810.00	635.00	60,115.00	59,425.00	35
<b>AMG</b>									
<b>GL 63 AMG</b> Petrol – 5,461 cc, 8-cylinder, 557 hp/410 kW	AMG	AMG Speedshift Plus 7G-Tronic 7-speed auto.	288	75,495.83	90,595.00	1,090.00	92,355.00	91,210.00	35

<sup>1</sup>A different first year rate of Vehicle Excise Duty (Road Fund Licence) applies for new cars. Please refer to page 36 for the relevant rate for the second and subsequent years

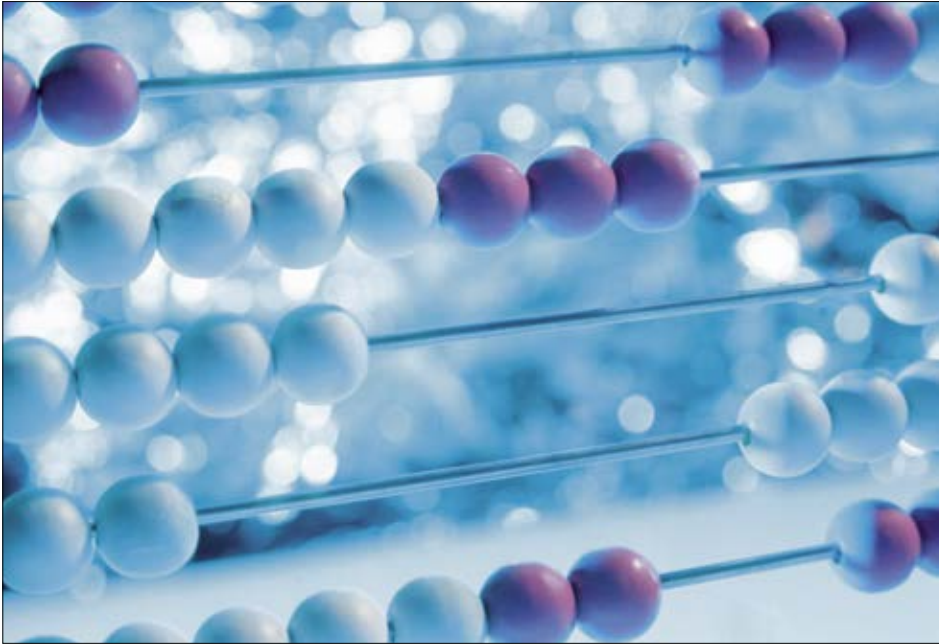
<sup>2</sup>Recommended on-the-road price: these prices reflect the Road Fund Licence applicable to the standard model plus £670.00 additional costs necessary to put your car on the road.

Included are a standard UK delivery charge (£540.00 incl. VAT), new vehicle registration fee (£55.00), number plates (£25.00 incl. VAT) and fuel (£50.00 incl. VAT). VAT is calculated at the standard rate of 20%



# Mercedes-Benz Finance

Where the clever money goes



## GL 350 BlueTEC AMG Sport with automatic transmission and metallic paint (representative example)

36 monthly payments of <sup>1</sup>	<b>£729.00</b>
On-the-road price	<b>£60,115.00</b>
Customer deposit	<b>£7,645.28</b>
Duration of agreement	<b>36 months</b>
Optional purchase payment <sup>2</sup>	<b>£33,000.00</b>
Acceptance fee	<b>£180.00</b>
Purchase activation fee <sup>2</sup>	<b>£95.00</b>
Amount of credit	<b>£52,469.72</b>
Total amount payable <sup>3</sup>	<b>£67,164.28</b>
Representative APR	<b>5.6% APR</b>
Fixed interest rate	<b>5.22%</b>

### Example offer – 5.6% APR Representative

	Automatic	Metallic	On-the-road price	Customer deposit	36 monthly payments of <sup>1</sup>
GL 350 BlueTEC AMG Sport	●	●	£60,115.00	£7,645.28	£729.00
● Standard equipment					

### Mercedes-Benz Service Care

- Mercedes-Benz trained Technicians
- Maintained by Mercedes-Benz Official Workshops
- Meets requirements of Mercedes-Benz Agility finance agreement

### Mercedes-Benz Motor Insurance

- 24/7 UK accident recovery
- Only Mercedes-Benz GenuineParts used
- To qualify for up to 10% discount online, go to [www.mercedes-benz.co.uk/motorinsurance](http://www.mercedes-benz.co.uk/motorinsurance)
- Alternatively, call Mercedes-Benz Motor Insurance now on **0845 600 2180**<sup>4</sup> for an annual quote

We may decline to quote in some circumstances. Mercedes-Benz Motor Insurance is underwritten by Aviva Insurance Limited

Whilst these offers are only available with Mercedes-Benz Finance, our Mercedes-Benz Retailers do arrange finance on behalf of other finance companies as well.

Orders/credit approvals on selected GL-Class models between 1 April and 30 June 2014, registered by 30 September 2014. Some combinations of features/options may not be available. Please contact your local Mercedes-Benz Retailer for availability

<sup>1</sup>Based on a Mercedes-Benz Agility agreement and 10,000 miles per annum. Excess mileage charges may apply. Quotations available on request for alternative contract lengths and mileages. Guarantees and indemnities may be required. Terms and Conditions apply.

Credit provided subject to status by Mercedes-Benz Financial Services UK Ltd, MK15 8BA

<sup>2</sup>Payable if you exercise the option to purchase the car. Guaranteed future value if you choose to hand back the vehicle at the end of the contract

<sup>3</sup>Includes optional purchase payment and purchase activation fee <sup>4</sup>Calls are charged at local rate and may be recorded

# Mercedes-Benz Finance

Where the clever money goes



## GL 63 AMG with automatic transmission and metallic paint (representative example)

36 monthly payments of <sup>1</sup>	£1,019.00
On-the-road price	£92,355.00
Customer deposit	£9,796.79
Retailer deposit contribution	£5,430.75
Duration of agreement	36 months
Optional purchase payment <sup>2</sup>	£49,200.00
Acceptance fee	£180.00
Purchase activation fee <sup>2</sup>	£95.00
Amount of credit	£77,127.46
Total amount payable <sup>3</sup>	£101,386.54
Representative APR	4.8% APR
Fixed interest rate	4.57%



### Example offer – 4.8% APR Representative

	Automatic	Metallic	On-the-road price	Retailer deposit contribution	Customer deposit	36 monthly payments of <sup>1</sup>
GL 63 AMG	●	●	£92,355.00	£5,430.75	£9,796.79	£1,019.00

- Standard equipment

### Mercedes-Benz Service Care

- Mercedes-Benz trained Technicians
- Maintained by Mercedes-Benz Official Workshops
- Meets requirements of Mercedes-Benz Agility finance agreement

### Mercedes-Benz Motor Insurance

- 24/7 UK accident recovery
- Only Mercedes-Benz GenuineParts used
- To qualify for up to 10% discount online, go to [www.mercedes-benz.co.uk/motorinsurance](http://www.mercedes-benz.co.uk/motorinsurance)
- Alternatively, call Mercedes-Benz Motor Insurance now on **0845 600 2180**<sup>4</sup> for an annual quote

We may decline to quote in some circumstances. Mercedes-Benz Motor Insurance is underwritten by Aviva Insurance Limited

Whilst these offers are only available with Mercedes-Benz Finance, our Mercedes-Benz Retailers do arrange finance on behalf of other finance companies as well.

Orders/credit approvals on GL-Class AMG models between 1 April and 30 June 2014, registered by 30 September 2014. Some combinations of features/options may not be available. Please contact your local Mercedes-Benz Retailer for availability

<sup>1</sup>Based on a Mercedes-Benz Agility agreement and 10,000 miles per annum. Excess mileage charges may apply. Quotations available on request for alternative contract lengths and mileages. Guarantees and indemnities may be required. Terms and Conditions apply.

Credit provided subject to status by Mercedes-Benz Financial Services UK Ltd, MK15 8BA

<sup>2</sup>Payable if you exercise the option to purchase the car. Guaranteed future value if you choose to hand back the vehicle at the end of the contract

<sup>3</sup>Includes optional purchase payment, purchase activation fee and Retailer deposit contribution <sup>4</sup>Calls are charged at local rate and may be recorded

# GL 350 BlueTEC AMG Sport



The GL350 BlueTEC AMG Sport offers sophistication and high-tech in equal measures, all wrapped up in powerful SUV design. The exterior features AMG bodystyling, 21" AMG 5-twin-spoke alloy wheels and aluminium finish running boards with rubber studs and LED illumination. Smart technology to assist you along the way includes the Intelligent Light System, Parktronic

with Active Park Assist and AirMATIC air suspension. Inside, automatic climate control, heated seats with Artico leather<sup>1</sup> upholstery, a 4-spoke multi-function sports steering wheel trimmed in nappa leather as well as COMAND Online system with Media Interface and DAB digital radio tuner ensure you're always comfortable and entertained.

**Exterior**

19" sports brakes with perforated front discs and brake caliper covers with 'Mercedes-Benz' lettering
AirMATIC air suspension
Aluminium finish running boards with rubber studs and LED illumination
AMG bodystyling
Electric glass sunroof
Flared wheel arches with 21" AMG 5-twin-spoke alloy wheels
Intelligent Light System
Mirror Package
Parktronic with Active Park Assist
Privacy glass

**Interior**

Automatic climate control
COMAND Online system with Media Interface

DAB digital radio tuner
Heated front seats
Rear seats – second seat row – split folding 1/3:2/3
Seven seats with Easy-Entry system – left and right for third seat row
Sports steering wheel – 4-spoke multi-function, trimmed in nappa leather with perforated grip areas <sup>2</sup>
Third seat row electrically folding and raising

**Trim and Upholstery**

Brushed light aluminium	Artico leather <sup>1,2</sup> – Black
	
Artico leather <sup>1,2</sup> – Almond Beige	Artico leather <sup>1,2</sup> – Alpaca Grey
	

<sup>1</sup>Man-made leather    <sup>2</sup>Sports steering wheel only in conjunction with brushed light aluminium trim

# GL 63 AMG



Diamond White is an additional-cost option

The GL 63 AMG is a master of sporty luxury, offering a comprehensive AMG bodystyling package which also comprises AMG door sill panels, AMG sports exhaust system, 21" AMG 5-twin-spoke alloy wheels, and an AMG high-performance braking system. 'V8 BITURBO' lettering on the front wings, as well as aluminium finish running boards with rubber studs and LED illumination further enhance the sporty credentials. Sophisticated technology includes Active Curve System and AirMATIC air suspension,

#### Exterior

---

Active Curve System and AirMATIC air suspension

---

Aluminium finish running boards with rubber studs and LED illumination

---

AMG bodystyling

---

AMG high-performance braking system with silver-painted brake calipers

---

AMG sports exhaust system with two chromed twin tailpipes

---

Electric glass sunroof

---

Flared wheel arches with 21" AMG 5-twin-spoke alloy wheels painted Titanium Grey

---

Intelligent Light System

---

Mirror Package

---

Parktronic with Active Park Assist

---

Privacy glass

---

'V8 BITURBO' lettering on front wings

---

Intelligent Light System and Parktronic with Active Park Assist. For your comfort, there are luxury automatic climate control, heated front and second row seats, and multi-contour front seats with massage function and Memory Package. AMG leather sports seats, AMG Performance steering wheel and AMG brushed stainless steel sports pedals plus AMG floor mats complete the striking AMG look.

#### Interior

---

AMG brushed stainless steel sports pedals with rubber studs and AMG floor mats

---

AMG Performance steering wheel – 4-spoke multi-function, trimmed in nappa leather with perforated grip areas, flattened bottom section and silver-coloured gear shift paddles

---

AMG sports seats with AMG-specific seat design upholstered in leather

---

COMAND Online system with Media Interface

---

#### Trim and Upholstery

Brushed light aluminium



Leather – Black



Leather – Almond Beige



Leather – Alpaca Grey



# Standard equipment



LED daytime running lights



Aluminium finish, LED-illuminated running boards



Intelligent Light System



Easy-Entry system – third seat row, left and right<sup>1</sup>



Electric glass sunroof, chrome-effect roof rails



Electrically adjustable front seats



Parktronic with Active Park Assist



COMAND Online system with Media Interface

<sup>1</sup>Optional *designo* Exclusive leather upholstery shown (diamond design on GL 350 BlueTEC AMG Sport only)



Item	GL 350 BlueTEC AMG Sport	
	GL 63 AMG	
<b>Transmission and Suspension</b>		
7G-Tronic Plus 7-speed automatic transmission with steering column gear selector, steering wheel gear shift paddles (Direct Select) and Speedtronic cruise control	●	-
Active Curve System with active suspension stabilisers	○	●
AirMATIC air suspension with level adjustment and Adaptive Damping System	●	●
AMG Speedshift Plus 7G-Tronic 7-speed automatic transmission with Speedtronic cruise control	-	●
ECO start/stop function	●	●
Off-road switch – primes systems for off-road driving	●	-
Permanent four-wheel drive	●	●
Steer Control	●	●
<b>Exterior</b>		
19" sports brakes with perforated front discs and brake caliper covers with 'Mercedes-Benz' lettering	●	-
AMG bodystyling – front apron, rear apron, side skirts and flared wheel arches	●	●
AMG door sill panels in brushed stainless steel	-	●
AMG high-performance braking system with silver-painted brake calipers	-	●
AMG sports exhaust system with two chromed twin tailpipes	-	●
Ambient lighting on underside of door mirrors	●	●
Diesel Particulate Filter (DPF)	●	-

Item	GL 350 BlueTEC AMG Sport	
	GL 63 AMG	
Direct Steering	●	●
Door mirrors – electrically operated, folding and heated	●	●
Easy-Pack powered tailgate – opens and closes automatically	●	●
Electric glass sunroof	●	●
Headlamps – Intelligent Light System Bi-xenon headlamps, LED daytime running lights, Active Light System, cornering light function, headlamp wash and Adaptive High Beam Assist	●	●
Heated windscreen wash system	●	●
High-level third brake light	●	●
LED rear tail lights	●	●
Parktronic with Active Park Assist	●	●
Privacy glass – dark glass from B-pillar backwards	●	●
Radiator grille – with two chromed louvres	●	●
Rain-sensing wipers	●	●
Rear bumper with integrated reflectors	●	●
Rear screen – heated, with timer control	●	●
Rear screen wash/wiper	●	●
Roof rails – chrome-effect	●	●
Running boards – aluminium finish with rubber studs, LED-illuminated	●	●

Item	GL 350 BlueTEC AMG Sport	
	GL 63 AMG	
<b>Exterior (continued)</b>		
Scratch guard on load compartment sill – chrome	●	●
Shoulder line trim strips – chrome	●	●
Space-saver spare wheel – steel	●	●
Tinted glass – green	●	●
'V8 BITURBO' lettering on front wings	–	●
<b>Interior</b>		
Memory Package Front seats, front head restraints, steering column and exterior door mirrors – electrically adjustable with memory. Four-way electric lumbar support for driver and front passenger seat	○	●
12V socket in load compartment and passenger compartment, front and rear	●	●
AMG brushed stainless steel sports pedals with rubber studs	–	●
AMG floor mats	–	●
AMG instrument cluster with animated start-up sequence and AMG main menu	–	●
AMG Performance steering wheel – 4-spoke multi-function, trimmed in nappa leather with perforated grip areas, flattened bottom section and silver-coloured gear shift paddles	–	●

Item	GL 350 BlueTEC AMG Sport	
	GL 63 AMG	
AMG sports seats with AMG-specific seat design and AMG badge in backrests	–	●
Automatic climate control	●	–
Centre armrests – front (with storage) and rear	●	●
Cup holders – front (2) and rear	●	●
Easy-Entry system – third seat row, left and right	●	●
Electric windows (4)	●	●
Front seats – full electric adjustment (backrest, height and longitude) with four-way electric lumbar support for driver's seat	●	–
Front seats – heated	●	●
Load-securing rings (6)	●	●
Luxury automatic climate control Multi-zone function with separate air distribution settings for driver, front passenger and rear. Three different climate modes: Focused, Medium and Diffuse	○	●
Outside temperature gauge	●	●
Reading lights, front and rear	●	●
Rear seats, second row – heated	○	●
Rear seats, second row – split folding 1/3:2/3	●	●

Item	GL 350 BlueTEC AMG Sport	
	GL 63 AMG	
<b>Interior (continued)</b>		
Rear seats, third row – electrically folding and raising	●	●
Service indicator ASSYST	●	●
Sports steering wheel – 4-spoke multi-function, trimmed in nappa leather with perforated grip areas	●	–
Steering column – manually adjustable for height and reach	●	–
Sun visors with illuminated vanity mirrors	●	●

**Paint, Trim and Upholstery**






Dashboard – upper section in Artico leather <sup>1</sup>	●	–
Dashboard – upper and lower sections, beltline and door panels in Artico leather <sup>1</sup>	○	●
Paint – metallic	●	●
Trim – brushed light aluminium	●	●
Upholstery – Artico leather, <sup>1</sup> perforated	●	–
Upholstery – leather	○	●

Item	GL 350 BlueTEC AMG Sport	
	GL 63 AMG	
<b>Security and Safety</b>		
Active Bonnet – pedestrian safety measure	●	–
Adaptive brake lights	●	●
Airbags – driver and front passenger	●	●
Airbags – front sidebags	●	●
Airbags – windowbags	●	●
Alarm system with immobiliser and interior protection (MBSS3)	●	●
Anti-lock braking system (ABS) with Brake Assist (BAS)	●	●
Attention Assist Monitors steering behaviour and can help alert to long journey fatigue	●	●
Automatic child seat recognition sensor Works in conjunction with Mercedes-Benz child seats fitted with transponder	●	●
Automatically dimming rear-view mirror and driver's door mirror	●	●
Collision Prevention Assist	●	●
Crosswind Assist	●	●
Downhill Speed Regulation (DSR) with switch and variable speed control	●	●
Electric parking brake	●	●
Electronic Stability Programme (ESP®) with Acceleration Skid Control (ASR)	●	●

Item	GL 350 BlueTEC AMG Sport	
	GL 63 AMG	
<b>Security and Safety (continued)</b>		
First-aid kit and warning triangle	●	●
Four-wheel Electronic Traction System (4ETS)	●	●
Head restraints, front – adjustable for height and angle	●	●
Headlamp Assist – automatic headlamp activation	●	●
Hill Start Assist	●	●
ISOFIX and top-tether child seat fixing points in second row outer seats and third row	●	●
Pre-Safe® anticipatory safety system	●	●
Rear head restraints and three-point seat belts – second and third row, all seats	●	●
Remote central locking	●	●
Seat belt pre-tensioners and force limiters – front, second row outer seats and third row	●	●
Trailer Stability Assist	●	●
Tyre pressure loss warning system	●	-
Tyre pressure monitoring system	○	●

Item	GL 350 BlueTEC AMG Sport	
	GL 63 AMG	
<b>Communications and In-Car Entertainment</b>		
Bluetooth® interface for hands-free telephony	●	●
Central controller dial to operate audio functions and telephone (when connected)	●	●
COMAND Online system with Media Interface Includes radio, single CD/DVD, 7-inch colour display, hard disk drive (HDD) navigation with 3D map display, live traffic information and European map data updates free of charge for the first three years, Speed Limit Assist and Linguatronic voice control. Internet-enabled mobile phone required for Emergency Call System (eCall), Mercedes-Benz apps and in-car Internet access for Facebook, Internet radio, sending routes from Google™ maps to the vehicle, news and weather reports. Also includes SD memory card slot, 10GB music register and MP3 compatibility. Media Interface allows connection and control of portable media devices (e.g. MP3 player, USB storage media). Cable included for iPod® connectivity	●	●
DAB digital radio tuner	●	●

# A revolution in style

Item	Notes		757	●	-	Basic RRP excl. VAT (£)	Total RRP incl. VAT (£)
<b>Wheels</b>							
21" AMG alloy wheels (4) – 5-twin-spoke design 295/40 tyres			757	●	-	-	-
21" AMG alloy wheels (4) – 5-twin-spoke design, painted in Titanium Grey 295/40 tyres			798	-	●	-	-
21" AMG alloy wheels (4) – 5-spoke design, painted in Titanium Grey 295/40 tyres			777	-	○	425.00	510.00
21" AMG alloy wheels (4) – 5-spoke design, painted in matt black 295/40 tyres			695	○	-	850.00	1,020.00
	-		○		729.17	875.00	

GL 350 BlueTEC AMG Sport  
GL 63 AMG

# Optional equipment



Panoramic glass sunroof<sup>1</sup>



On- & Off-Road Package<sup>2</sup>



Rear seat entertainment system<sup>1</sup>



Luxury automatic climate control<sup>3</sup>



Keyless-Go<sup>3</sup>



Temperature-controlled cup holder



Harman Kardon<sup>®</sup> Logic 7<sup>®</sup> surround sound system



Bang & Olufsen surround sound system

<sup>1</sup>Optional *designo* Exclusive leather upholstery shown (diamond design on GL 350 BlueTEC AMG Sport only) <sup>2</sup>GL 350 BlueTEC AMG Sport only <sup>3</sup>Standard on GL 63 AMG



Item	Notes	GL 350 BlueTEC AMG Sport GL 63 AMG			Basic RRP excl. VAT (£)	Total RRP incl. VAT (£)
<b>AMG Performance Studio</b>						
AMG Driver's Package Attendance at an AMG 'Power & Passion' driving event Increase in the electronically limited top speed	Please ask your Retailer for further information	250	-	○	2,350.00	<b>2,820.00</b>
AMG carbon fibre engine cover		B14	-	○	1,275.00	<b>1,530.00</b>
AMG Performance steering wheel in Dinamica microfibre/nappa leather	Not in conjunction with wood- and leather-trimmed steering wheel (code 289) or <i>designo</i> wood- and leather-trimmed steering wheel (code Y95)	281	-	○	350.00	<b>420.00</b>
<b>Suspension and Exterior</b>						
On- & Off-Road Package 100% differential locks on centre differential Drive programme switch and animation in COMAND Online display Front and rear axles with adaptive 4ETS Manual mode for automatic transmission Off-road ratio Reinforced underfloor panelling Special off-road algorithm for ABS, ETS, ESP® and air suspension Underbody protection under engine		430	○	-	1,654.17	<b>1,985.00</b>
Parking Package 360° camera Parktronic with Active Park Assist		P44	○	○	562.50	<b>675.00</b>
Active Curve System With active suspension stabilisers	Only in conjunction with tyre pressure monitoring system (code 475)	468	○	●	2,700.00	<b>3,240.00</b>
Brake calipers - painted red		U70	-	○	<b>no-cost option</b>	

Item	Notes			Basic RRP excl. VAT (£)	Total RRP incl. VAT (£)
		GL 350 BlueTEC AMG Sport	GL 63 AMG		
<b>Suspension and Exterior (continued)</b>					
Reversing camera	Not in conjunction with Parking Package (code P44)	218	○ ○	350.00	<b>420.00</b>
Tow bar – manually folding with electric release	When ordering this option, please discuss with your Retailer any specific towing requirements	550	○ ○	791.67	<b>950.00</b>
<b>Paint, Trim and Upholstery</b>					
<i>designo</i> Exclusive leather upholstery Seat and door centre panels in chosen <i>designo</i> leather colour (with diamond design for GL 350 BlueTEC AMG Sport only) <i>designo</i> badges in front and rear seat backrests (AMG badges for GL 63 AMG) Armrests in doors and centre console and handrest in chosen <i>designo</i> leather colour Dashboard and door beltlines trimmed in Black nappa leather (Marron nappa leather with code X06) Floor mats with edging in <i>designo</i> Black leather and <i>designo</i> metal badges Roof lining in black Dinamica microfibre Double sun visors (code 543)	Based on Black leather (code 201). Not in conjunction with dashboard in Artico leather <sup>1</sup> (code U09)		○ –	5,704.17	<b>6,845.00</b>
			– ○	3,870.83	<b>4,645.00</b>
Available in: <i>designo</i> Marron X06 <i>designo</i> Black X11 <i>designo</i> Porcelain X27					
<i>designo</i> wood- and leather-trimmed steering wheel	Only in conjunction with <i>designo</i> trim in Black Piano Lacquer (code W69). Not in conjunction with wood- and leather-trimmed steering wheel (code 289), or with Almond Beige or Alpaca Grey upholsteries (code 105, 108, 205 or 208)	Y95	○ ○	870.83	<b>1,045.00</b>

Item	Notes				GL 350 BlueTEC AMG Sport	GL 63 AMG	Basic RRP excl. VAT (£)	Total RRP incl. VAT (£)
<b>Paint, Trim and Upholstery (continued)</b>								
Metallic paint – Diamond White		799	○	○			679.17	815.00
Roof lining in <i>designo</i> black Dinamica microfibre	Included in conjunction with <i>designo</i> Exclusive leather upholstery (code X06, X11 or X27). Not in conjunction with Almond Beige upholsteries (code 105 or 205). Only in conjunction with double sun visors (code 543)	Y41	○	○			1,362.50	1,635.00
Roof lining in <i>designo</i> black fabric	Not in conjunction with Almond Beige upholsteries (code 105 or 205)	Y90	○	○			308.33	370.00
Trim – Black Poplar wood, gloss finish	Sports steering wheel is replaced (GL350 BlueTEC AMG Sport)	729	○	–			137.50	165.00
			–	○				no-cost option
Trim – Brown Burr Walnut wood, gloss finish	Sports steering wheel is replaced (GL350 BlueTEC AMG Sport)	731	○	–			137.50	165.00
			–	○				no-cost option
Trim – Brown Eucalyptus wood, gloss finish	Sports steering wheel is replaced (GL350 BlueTEC AMG Sport)	734	○	–				no-cost option
Trim – Brown Open-pore Ash wood	Sports steering wheel is replaced (GL350 BlueTEC AMG Sport)	H09	○	–			137.50	165.00
			–	○				no-cost option
Trim – <i>designo</i> Black Piano Lacquer	Sports steering wheel is replaced (GL350 BlueTEC AMG Sport). Not in conjunction with wood- and leather-trimmed steering wheel (code 289)	W69	○	○			1,308.33	1,570.00
Upholstery – leather		'	○	–			1,533.33	1,840.00
			–	●			–	–
Upholstery – two-tone leather		'	○	–			1,745.83	2,095.00
			–	○			212.50	255.00
Wood- and leather-trimmed steering wheel	Only in conjunction with wood trims (code 729, 731, 734 or H09). Not in conjunction with heated multi-function steering wheel (code 443) or <i>designo</i> wood- and leather-trimmed steering wheel (code Y95)	289	○	○			512.50	615.00

Item	Notes				Basic RRP excl. VAT (£)	Total RRP incl. VAT (£)
		GL 350 BlueTEC AMG Sport	GL 63 AMG			
<b>Comfort</b>						
Memory Package Additional four-way electric lumbar support for front passenger seat Front seats, front head restraints, steering column and exterior door mirrors – electrically adjustable with memory		P64	○	●	775.00	930.00
Ambient lighting Choice of three colour settings for door panels and dashboard, single-tone for double cup holder and rotary air vent controls Illuminated front door sill panels, single-tone, with 'Mercedes-Benz' lettering (GL 350 AMG Sport) or 'AMG' lettering (GL 63 AMG)		876	○	○	304.17	365.00
Ashtray and cigarette lighter	Replaces storage compartments in front and rear, and 12V socket in front	301	○	○	41.67	50.00
Cup holder – temperature-controlled	Not in conjunction with Keyless-Go (code 889)	311	○	–	183.33	220.00
Dashboard – upper and lower sections, beltline and door panels in Artico leather <sup>1</sup>		U09	○	●	383.33	460.00
Easy-Entry system – electrically operated, for third seat row, left and right		843	○	○	341.67	410.00
Front seats – comfort-ventilated	Leather on front seats is perforated when this option is chosen. Only with leather upholstery. Not in conjunction with Artico leather <sup>1</sup> (code 101, 105 or 108)	401	○	○	625.00	750.00
Garage door opener – integrated in rear-view mirror For questions regarding compatibility please call the Homelink Hotline, Johnson Controls – freephone (0)0800 046 635 465 – or visit <a href="http://www.homelink.com">www.homelink.com</a>		231	○	○	191.67	230.00
Keyless-Go Includes door handles with chrome inlay	Not in conjunction with cup holder, temperature-controlled (code 311)	889	○	●	775.00	930.00

Item	Notes	GL 350 BlueTEC AMG Sport GL 63 AMG	Basic RRP excl. VAT (£)	Total RRP incl. VAT (£)
<b>Comfort (continued)</b>				
Luxury automatic climate control Multi-zone function with separate air distribution settings for driver, front passenger and rear Three different climate modes: Focused, Medium and Diffuse		581 ○ ●	583.33	700.00
Luxury automatic climate control, rear Allows individual adjustment from rear seats	Only in conjunction with luxury automatic climate control (code 581)	582 ○ ○	437.50	525.00
Multi-contour front seats Massage function, luxury head restraints and seat cushion depth adjustment		399 ○ ●	958.33	1,150.00
Multi-function steering wheel – heated	Sports steering wheel is replaced (for GL 350 BlueTEC AMG Sport). Only in conjunction with Memory Package (code P64). Not available in conjunction with wood- and leather-trimmed steering wheel (code 289)	443 ○ ○	229.17	275.00
Panoramic glass sunroof Three panels: first panel electrically operated opening and closing; first and second panels with electrically operated interior sun blinds; removable sun blind for third panel. Also includes electrically operated vent windows for the third seat row		413 ○ ○	766.67	920.00
Power closing front and rear doors		883 ○ ○	479.17	575.00
Rear seats, second row – heated		872 ○ ●	295.83	355.00
Sun blinds – rear side windows		297 ○ ○	233.33	280.00
Sun visors – double, for driver and front passenger	Included with <i>designo</i> Exclusive Package (code X06, X11 and X27)	543 ○ ○	83.33	100.00
Through-loading facility – above rear armrest	Not in conjunction with Easy-Entry system, electrically operated (code 843)	282 ○ ○	166.67	200.00

Item	Notes	GL 350 BlueTEC AMG Sport			Basic RRP excl. VAT (£)	Total RRP incl. VAT (£)
		GL 63 AMG				
<b>Security and Safety</b>						
Driving Assistance Package Active Blind Spot Assist Active Lane-Keeping Assist Distronic Plus with Pre-Safe® Brake	Not in conjunction with Lane-Tracking Package (code 22P)	23P	○	○	1,958.33	<b>2,350.00</b>
Lane-Tracking Package Blind Spot Assist Lane-Keeping Assist	Not in conjunction with Driving Assistance Package (code 23P)	22P	○	○	654.17	<b>785.00</b>
Airbags – rear sidebags		293	○	○	295.83	<b>355.00</b>
Fire extinguisher		682	○	○	104.17	<b>125.00</b>
Night View Assist Plus		610	○	○	1,087.50	<b>1,305.00</b>
Tyre pressure monitoring system		475	○	●	266.67	<b>320.00</b>
<b>Communications and In-Car Entertainment</b>						
COMAND Online system with Media Interface and integrated 6-disc changer		512	○	○	262.50	<b>315.00</b>
Rear seat entertainment system Two 8-inch screens mounted on the back of front head restraints Single DVD player Two sets of wireless headphones and remote control	TV reception available in conjunction with TV tuner (code 865)	864	○	○	1,695.83	<b>2,035.00</b>
SplitView for COMAND Online system Enables the COMAND Online system to display different content for driver and front passenger		867	○	○	850.00	<b>1,020.00</b>
Surround sound system – Bang & Olufsen BeoSound AMG 14 high-performance speakers with twin illuminated tweeter lenses	Not in conjunction with Harman Kardon® Logic 7® surround sound system (code 810). Please note that space-saver spare wheel is replaced by Tirefit	811	○	○	3,612.50	<b>4,335.00</b>



Item	Notes	GL 350 BlueTEC AMG Sport GL 63 AMG			Basic RRP excl. VAT (£)	Total RRP incl. VAT (£)
<b>Communications and In-Car Entertainment (continued)</b>						
Surround sound system – Harman Kardon® Logic 7® with Dolby Digital 5.1 and DTS 14 high-performance speakers and additional amplifier	Not in conjunction with Bang & Olufsen BeoSound AMG surround sound system (code 811)	810	○	○	733.33	<b>880.00</b>
Telephone pre-wiring with hands-free facility A separate cradle for your mobile phone needs to be ordered as an accessory from your Retailer	Works in conjunction with the multi-function steering wheel and display. The phone cradle is mounted in the front centre armrest. It is recommended that a compatible handset is sourced prior to ordering a cradle	386	○	○	341.67	<b>410.00</b>
TV tuner – digital reception		865	○	○	862.50	<b>1,035.00</b>
<b>Service Package</b>						
Service Care Service Care allows you to spread the cost of servicing your new car in the Mercedes-Benz Retailer network. Taking out a Service Care plan ensures your servicing needs are taken care of by fully trained Mercedes-Benz Technicians with the added benefit of a Mercedes-Benz service history	Price is based on a monthly rate. Example given is for two services taken over 24 months, three services over 36 months or four services over 48 months. Further payment options are available. New Service Care prices apply only to vehicles up to 12 months old prior to first service	1	○	–	23.20	<b>29.00</b>

# Colours and materials

## Non-metallic paint



149 Polar White

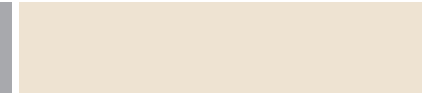
## Metallic paints



151 Cinnabar Red



775 Iridium Silver



799 Diamond White¹



197 Obsidian Black



792 Palladium Silver



890 Cavansite Blue



755 Tenorite Grey



796 Citrine Brown



988 Diamond Silver

**Artico leather<sup>1</sup>**

(standard on GL 350 BlueTEC AMG Sport)



101 Black



105 Almond Beige



108 Alpaca Grey

**Leather**

(optional; standard on GL 63 AMG)



201 Black



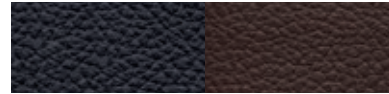
205 Almond Beige



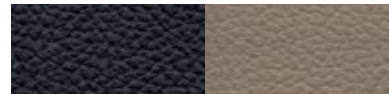
208 Alpaca Grey

**Two-tone leather**

(optional)



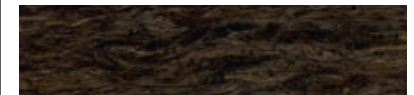
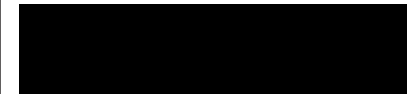
254 Black/Tobacco Brown



255 Black/Almond Beige



258 Black/Alpaca Grey



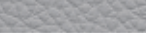



**Trim**739 Brushed light aluminium<sup>2,4</sup>729 Black Poplar wood, gloss<sup>3,5</sup>731 Brown Burr Walnut wood, gloss<sup>3,5</sup>734 Brown Eucalyptus wood, gloss<sup>3,5,6</sup>H09 Brown Open-pore Ash wood<sup>3,5</sup>W69 *designo* Black Piano Lacquer<sup>3,5</sup>

# Trim and upholstery combinations

	Artico leather <sup>1</sup> /leather			Two-tone leather		
	Standard on GL 350 BlueTEC AMG Sport/optional; standard on GL 63 AMG			Optional		
	Black (101/201)	Almond Beige (105/205)	Alpaca Grey (108/208)	Black/Tobacco Brown (254)	Black/Almond Beige (255)	Black/Alpaca Grey (258)
<b>Dashboard</b>						
Steering wheel	Black	Mocha Brown	Dark Basalt Grey	Black	Black	Black
Upper dashboard trim	Black	Mocha Brown	Dark Basalt Grey	Black	Black	Black
Lower dashboard trim	Black	Almond Beige	Alpaca Grey	Black	Black	Black
<b>Seats</b>						
Seat cushion centre section	Black	Almond Beige	Alpaca Grey	Tobacco Brown	Almond Beige	Alpaca Grey
Side bolster trim	Black	Almond Beige	Alpaca Grey	Marron	Almond Beige	Alpaca Grey
Head restraint	Black	Almond Beige	Alpaca Grey	Marron	Almond Beige	Alpaca Grey
Seat belt	Black	Almond Beige	Alpaca Grey	Black	Black	Black
<b>Doors</b>						
Beltline door trim	Black	Almond Beige	Alpaca Grey	Black	Black	Black
Centreline door trim	Black	Almond Beige	Alpaca Grey	Marron	Almond Beige	Alpaca Grey
Lower door trim	Black	Almond Beige	Alpaca Grey	Black	Black	Black
<b>Roof lining</b>	Alpaca Grey	Almond Beige	Alpaca Grey	Black	Black	Black
<b>Floor covering</b>						
Front and rear	Black	Almond Beige	Dark Basalt Grey	Black	Black	Black
Boot	Black	Almond Beige	Dark Basalt Grey	Black	Black	Black

<sup>1</sup>Man-made leather

# Combination options

		Non-metallic paint	Metallic paints										
		149 Polar White	151 Cinnabar Red	197 Obsidian Black	755 Tenorite Grey	775 Iridium Silver	792 Palladium Silver	796 Citrine Brown	799 Diamond White <sup>2</sup>	890 Cavansite Blue	988 Diamond Silver		
<b>Artico leather<sup>1</sup>/leather</b>													
	Black	●	●	●	●	●	●	●	●	●	●	●	●
	Almond Beige	●	●	●	○	○	○	●	●	○	○		
	Alpaca Grey	●	●	●	●	●	○	●	●	●	●		
<b>Two-tone leather</b>													
	Black/Tobacco Brown	●	○	●	●	●	●	●	●	●	●	●	●
	Black/Almond Beige	●	●	●	●	●	●	●	●	●	●	●	●
	Black/Alpaca Grey	●	●	●	●	●	○	●	●	●	●		

# Technical specifications

Model	Diesel engine		Petrol engine	
	GL 350 BlueTEC AMG Sport		GL 63 AMG	
<b>Engine</b>				
Capacity	cc	2,987		5,461
Arrangement/cylinders/valves		V/6/24		V/8/32
Power <sup>1</sup>	hp (kW) at rpm	258 (190)/3,600		557 (410)/5,250–5,750
Torque <sup>1</sup>	Nm at rpm	620/1,600–2,400		760/2,000–5,000
<b>Transmission</b>				
7G-Tronic Plus 7-speed automatic		●		–
AMG Speedshift Plus 7G-Tronic 7-speed auto.		–		●
<b>Performance</b>				
Acceleration 0–62 mph	sec	7.9		4.9
Top speed	mph	137		155 <sup>2</sup> (168 <sup>3</sup> )

	Diesel engine	Petrol engine
<b>Model</b>	GL 350 BlueTEC AMG Sport	GL 63 AMG

**Weights and capacities**

Kerb weight	kg	2,455	2,580
Perm. Gross Vehicle Weight	kg	3,250	3,250
Towing capacity - unbraked		750	750
braked	kg	3,500	3,250
Boot capacity	l		
max. behind 1st row of seats		2,300	2,300
max. behind 2nd row of seats		680	680
max. behind 3rd row of seats		295	295
Fuel tank capacity/of which reserve	l	100/12	100/14
Turning circle	m	12.45	12.45

**Fuel consumption<sup>4,5</sup>**

mpg

Urban	31.7	17.9
Extra-urban <sup>6</sup>	37.7	27.4
Combined	35.3	23.0

	Diesel engine	Petrol engine
<b>Model</b>	GL 350 BlueTEC AMG Sport	GL 63 AMG
<b>CO<sub>2</sub> emissions<sup>5</sup></b>	g/km	
Emissions standard	EU6	EU5
21" AMG alloy wheels	209	288
<b>Insurance</b>		
Group rating	49A	50A
Insurance ratings may vary depending on model specification. Please refer to <a href="http://www.thatcham.org/abigrouprating/">http://www.thatcham.org/abigrouprating/</a> for further details		

<sup>1</sup>Figures according to Directive 80/1269/EEC in the currently applicable version

<sup>2</sup>Electronically limited

<sup>3</sup>In conjunction with AMG Driver's Package

<sup>4</sup>All figures are based on a standard specification with the smallest tyre size

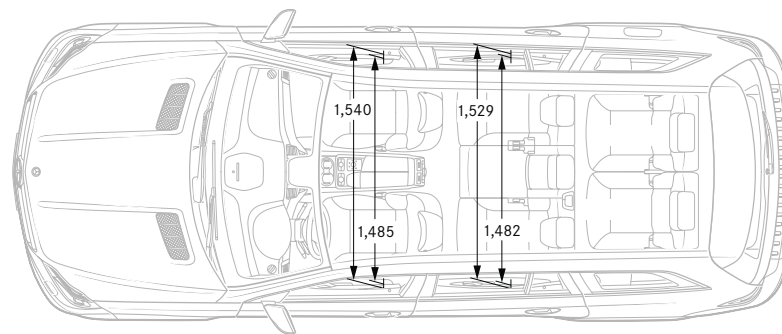
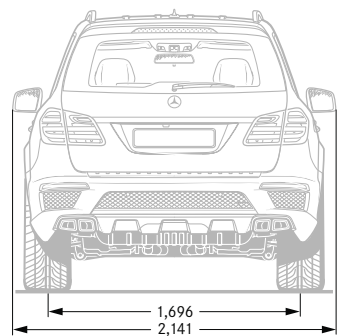
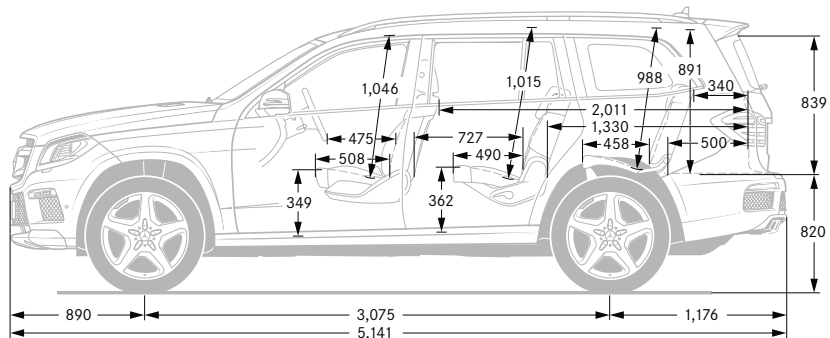
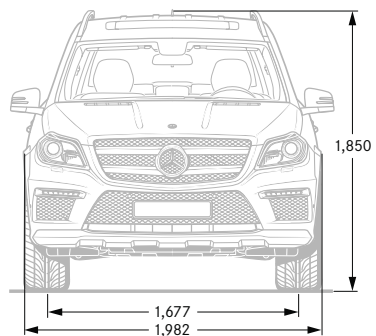
<sup>5</sup>The choice of wheels and transmission may affect CO<sub>2</sub> emissions and corresponding Road Fund Licence

<sup>6</sup>EUDC: extra-urban driving cycle. Testing procedures adhere to EU Directive 93/116

The figures on pages 32-35 are correct at time of going to print. Please refer to the government website for latest data - <http://www.dft.gov.uk/vca>

All measurements in millimetres. The dimensions shown are mean values and apply to standard-specification, unladen vehicles





# Road Fund Licence



All road vehicle registrations are subject to Vehicle Excise Duty (Road Fund Licence), which varies in accordance with the vehicle's CO<sub>2</sub> emissions. A first year rate of Vehicle Excise Duty applies to new cars on their first year of registration. For the second and subsequent years a standard rate for each taxation band will apply.<sup>1</sup> The table below shows the bands (A-M) created by the DVLA and the corresponding Road Fund Licence. CO<sub>2</sub> emissions are listed in the technical specifications on page 34, and the relevant Excise Duty is reflected in the on-the-road prices on page 5.

Band	CO <sub>2</sub> emissions	First year rate (£)	Standard rate (£)
A	up to 100 g/km	0.00	0.00
B	101 to 110 g/km	0.00	20.00
C	111 to 120 g/km	0.00	30.00
D	121 to 130 g/km	0.00	110.00
E	131 to 140 g/km	130.00	130.00
F	141 to 150 g/km	145.00	145.00
G	151 to 165 g/km	180.00	180.00
H	166 to 175 g/km	290.00	205.00
I	176 to 185 g/km	345.00	225.00
J	186 to 200 g/km	485.00	265.00
K	201 to 225 g/km	635.00	285.00
L	226 to 255 g/km	860.00	485.00
M	over 255 g/km	1,090.00	500.00

<sup>1</sup>For further information on the above vehicle taxation changes please refer to <https://www.gov.uk/calculate-vehicle-tax-rates>

# Services and benefits

## Mercedes-Benz Service Care

We believe that servicing costs should be as flexible and affordable as possible for your GL-Class, which is why we offer Service Care, an easy way to budget for all your servicing costs. It spreads your bills into manageable payments based on whether you have a new or used Mercedes-Benz.

With Service Care we guarantee the price of parts and labour for up to four services and safeguard against further inflation. It also covers the cost of all recommended service items including brake fluid, spark plugs, air filters, fuel filters and screen wash.

You can choose either to add your servicing costs into your monthly spend or pay the full amount in a one-off payment, giving you peace of mind that they are taken care of for the period of the plan.

To find out more please contact your local Retailer or visit [www.mercedes-benz.co.uk/servicecare](http://www.mercedes-benz.co.uk/servicecare)

## Warranty and breakdown cover

Every Mercedes-Benz comes with a three-year unlimited mileage warranty against manufacturing or material defects<sup>1</sup> and up to 30 years warranty against perforation due to corrosion from the inside out.<sup>2</sup> What's more, it's also covered by Mercedes-Benz Mobilo Roadside Assistance – a unique package comprising up to 30 years pan-European breakdown assistance.<sup>2</sup>

# Mercedes-Benz Finance and Insurance

## Choosing the colour of your Mercedes-Benz can be difficult. Fortunately, financing it isn't

So you've chosen your new Mercedes-Benz and you've finally settled on a colour. The good news is you've done the hard part. Now simply sit down with one of our Business Managers and they'll be happy to guide you through our range of finance packages, service options and insurance cover.

At Mercedes-Benz Finance, we're not in the business of simply providing a loan to fund the purchase of your dream car. We look on it as a journey that we take with you, from the moment you choose your new Mercedes-Benz, to helping you in choosing your next one.

You should find our finance packages are more convenient than a traditional personal loan. They are:

- **Quick and easy to arrange.** On average, approved credit applications are processed within 18 minutes.<sup>1</sup>
- **Immediately available.** With no waiting for cheques or loans to clear.
- **No security on your home required.** You will not be required to provide us with any security against your house as a condition of taking out the finance agreement.

- **Clear and transparent.** Other lenders may offer you a higher APR to the one you applied for based on your credit status. With Mercedes-Benz Finance, where we advertise an APR this is the APR you will receive if your credit application is successful.

- **Guarantee the future value of your car.** Our Personal Contract Purchase plan, Mercedes-Benz Agility, features a future guaranteed value, which provides you with protection against the risk of depreciation and also makes your payments more affordable.

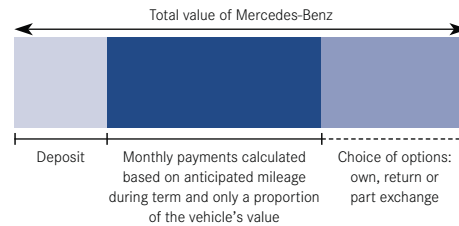
<sup>1</sup>Based on all credit applications received January–November 2012

## Dedicated Business Managers: finding the right package for you

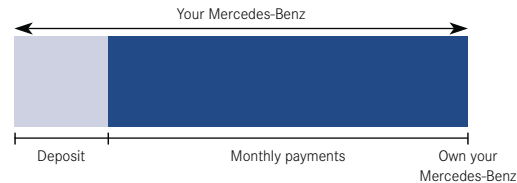
Our Business Managers are experts in all aspects of vehicle finance. They will talk you through the options, advise you as to which one might suit you best and help you to make the right decision. What's more, they have access to systems and support that will enable quotations and comparisons to be prepared for you in minutes.

Above all, we want you to be reassured that your Business Manager will be there with you every step of the way: discussing your requirements, making suggestions and outlining the options available.

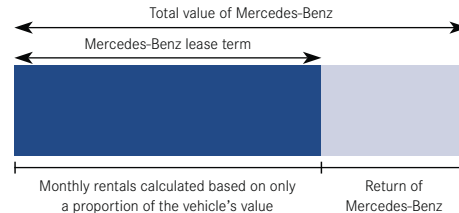
### Mercedes-Benz Agility



### Mercedes-Benz Hire Purchase



### Mercedes-Benz Operating Lease



## Insurance

Since our name is synonymous with reliability, who better to trust with your motor insurance? Mercedes-Benz Insurance provides a motor insurance policy specifically designed to give you the cover you would expect from Mercedes-Benz.

For a motor insurance quotation, call

**0845 600 2180\***

\*For joint protection, calls may be recorded and/or monitored. All calls charged at local rate. We may decline to quote in some circumstances

For further information on Mercedes-Benz Finance, please contact your local Mercedes-Benz Retailer.

Mercedes-Benz Motor Insurance is underwritten by Aviva Insurance UK Limited. Credit provided, subject to status, by Mercedes-Benz Financial Services UK Ltd, MK15 8BA

Prices effective from 1 April 2014. Information correct at time of going to print.  
Prices and specifications are subject to change without prior notice.  
MBX166PL/0414

Mercedes-Benz UK Ltd, Tongwell, Milton Keynes, MK15 8BA [www.mercedes-benz.co.uk](http://www.mercedes-benz.co.uk)



## Mixed Sources

Product group from well-managed  
forests, controlled sources and  
recycled wood or fibre

[www.fsc.org](http://www.fsc.org) Cert no. SGS-COC-004556  
©1996 Forest Stewardship Council

