

The S-Guard.

The S-Guard.



Take-back of end-of-life vehicles. At the end of its long life, you can return your S-Guard to us for environment-friendly disposal in accordance with the European Union (EU) End-Of-Life Vehicle Directive. But that day lies a long way off.

A network of vehicle take-back depots and dismantlers has been established to make it as easy as possible for you to return your vehicle. You can leave it at any of these points free of charge and, by doing so, make an important contribution to completing the recycling process and conserving resources.

For further information about the recycling and disposal of end-of-life vehicles and take-back conditions, please visit your national Mercedes-Benz website.

Please note: Changes may have been made to the product since going to press (05.09.2014). The manufacturer reserves the right during the delivery period to make changes to the design, form, colour or specification, provided these changes, while taking into account the interests of the vendor, can be deemed reasonable with respect to the purchaser. Where the vendor or the manufacturer uses symbols or numbers to describe an order or the subject of an order, no rights may be derived solely from these. The illustrations may include accessories and optional extras which do not form part of the standard specification. Colours may differ slightly from those shown, owing to the limitations of the printing process. This brochure is distributed internationally. Information given regarding statutory regulations, legal requirements and taxation and the consequences thereof applies to the Federal Republic of Germany only and is correct at the time of going to press. For current and more specific information in relation to the range of models, features, optional extras, colours and/or services available in your country, and their pricing, you should contact your nearest authorised Mercedes-Benz Passenger Car Dealer.

www.mercedes-benz.com

Daimler AG, Mercedesstr. 137, 70327 Stuttgart MS/PMA 0734 · 222 - 1 · 02-01 / 1014 Printed in Germany

Mercedes-Benz



Mercedes-Benz

The finest World of Protection. S-Guard.

The S-Guard sets new standards with a host of superlatives. The combination of protection and comfort exudes a unique fascination. At the root of it is the integrated protection system: a perfect concept that was systematically optimised without restricting the space or jeopardising the design. As a result, the new S-Guard is not only a guarantee to make you safer, but also to feel better than ever before.



On the road to new horizons.

His S-Guard is waiting at the door. The talks went very well the previous evening, the hotel service was excellent. Now use the journey for inner preparation – seal himself off completely, concentrate, focus. He'll arrive relaxed and describe completely new paths to the world of experts, maybe even make history. He is prepared.



Smiled upon by good fortune.

The flight as scheduled, the landing on time, the S-Guard ready. The next appointment is looming. He has not heard from his daughter for ages, high time for a call. He loves these conversations during the journey, her laugh fills him with pride. Of course much too short again. The short detour helps a little.

A wide-angle, low-angle shot from the driver's perspective inside a car. The view is looking out through the windshield and side windows at a city street. The street is lined with tall, modern glass skyscrapers and older, multi-story brick buildings. The scene is bathed in a cool, blue light, suggesting early morning or late evening. The car's interior, including the dashboard and a leather seat, is visible in the foreground.

At eye level with the morning.

Quick breakfast, a look at the newspaper, the driver already at the wheel in the S-Guard. A friendly greeting, the schedule for the day, the latest figures and data already on the display. They supply initial trends and tendencies. The tranquillity all the more important on the morning journey. Just a small moment, then the hustle and bustle of the public world begins.



For his queen of the night.





Missed out on a lot of things, private events have become too rare an occurrence. But today is the opera première. The date was sacrosanct for him, and yet it almost got lost in the mad rush. A look at the display during the final metres in the S-Guard: the production of the young director promises to be sensational. His wife will not believe her eyes.







Bring on the weekend.

On the homeward journey at last after a long week. Eyes closed, head still buzzing, in the S-Guard relaxation sets in. Maybe make one more phone call after all? A neck massage? Music or news? We'll see. Wonderful!



BRV 2009	Sample weapons	Resistance
VR3		Weapons up to 9 mm Luger (Parabellum)
VR4		Handguns up to .44 Magnum
VR5		Handguns up to .357 Magnum
VR6		Rifles up to calibre 7.62 x 39 mm, full steel jacket, iron core

BRV 2009	Sample weapons	Resistance
VR7		Rifles up to calibre 7.62 x 51 mm, full steel jacket, soft core
VR8		Rifles up to calibre 7.62 x 39 mm, full steel jacket, hard steel core, incendiary-tipped
VR9		Rifles up to calibre 7.62 x 51 mm, full steel jacket, hard steel core
		Extensive protection against threat from Dragunov sniper rifle, even in transparent area

VR = Vehicle Resistance BRV = Guideline for the testing and certification of bullet-resistant vehicles



The difference is in how much. BRV 2009* - VR9.

When it comes to your safety there is no such thing as enough. The protective components of your new S-Guard were advanced further still with this philosophy in mind and the material thicknesses of the special glass and the high-grade steel were increased. Your personal shelter is more than just a reassuring feeling. The results of ballistic testing in which the vehicle is fired upon from all angles confirms with figures and facts: your S-Guard offers a high level of protection. *BRV 2009, version 2.



With built-in reinforcement.

It is good that your S-Guard also meets the highest requirements on your personal protected space in a collision. Of course it must prove that it does so long before it ventures into traffic for the first time. Due to the additional weight a completely different situation arises in the event of a crash in comparison with a series-production vehicle. Through special tuning of the software and trigger parameters it has been possible to optimally adjust the restraint systems in particular. This advantage is based on the integral protection system, as the adjustments can no longer be made at a later stage.



Strength on all sides. VPAM ERV 2010.

Your S-Guard is also forearmed against the increasing use of explosive devices. The protective measures prove their effectiveness in elaborate tests that feature massive explosive attacks from all sides. Steel armaments, special glass and additional protective armour on the underbody and the roof demonstrate the required explosion resistance from all sides: the pressures measured in the interior are significantly below the permissible limits. Passed with distinction – a certificate for the S-Guard is a matter of fact.





The principle of total enclosure. VPAM ERV 2010.

The concept of providing complete protection is inherent in all advancements and innovations for our special protection vehicles. Against this background the S-Guard has for the first time been fitted with a continuous floor plate which offers full-surface protection in combination with the reinforced armour-plating on the transmission tunnel. Even during the simultaneous explosion of two HG 85 hand grenades your S-Guard puts up resistance. So once again it has been possible to set new standards for protection in the passenger compartment. A milestone for your safety.

Steadfastness at all times.

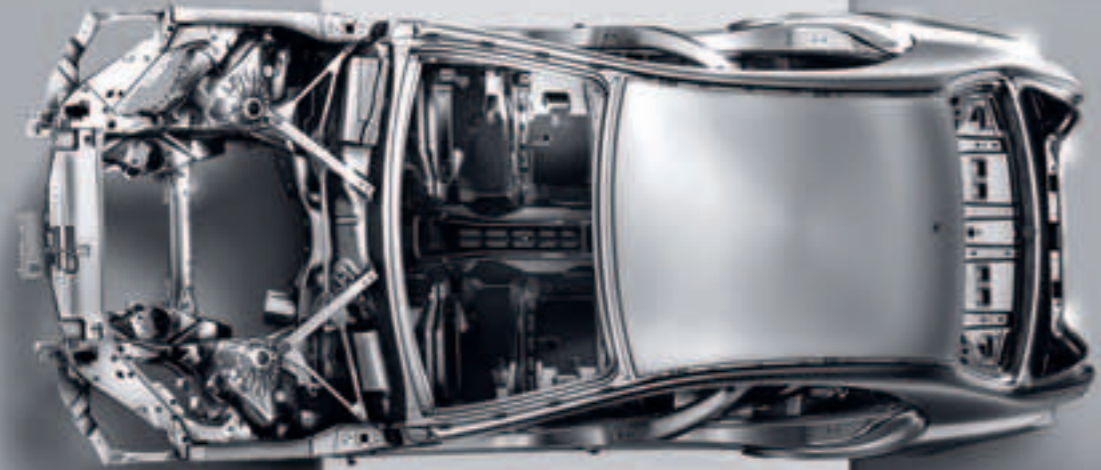
Being able to keep control even in extreme situations is a crucial aspect for your safety. It goes without saying that the integrated protective components and armour-plating result in a higher vehicle weight. Nonetheless, your S-Guard doesn't compromise when it comes to vehicle handling. Enlarged 6-piston brake callipers and considerably larger brake discs at the front axle plus the brake at the rear axle with a significantly stronger design are used in order to control the additional weight safely. Tests in extreme conditions show: the braking power of the S-Guard is on a par with that of an unarmoured car.



The focus is always on safety.

A special protection vehicle that sets standards – virtually nothing will unsettle your S-Guard. This is ensured already during the vehicle development phase. The effects of the protective components and their added weight are taken into account from the start. It therefore goes without saying that all the relevant chassis components are precisely adapted to the physical modifications: the drive shafts, axle components and damping systems were redimensioned, the air springs at the front axle reinforced and additional steel springs used at the rear axle. The electronic control systems ESP® and ABS were also adapted. The early integration is the solution to this complex task.





Highest protection in its most beautiful form.

There is no question that your S-Guard captivates with precision and an unprecedented level of comfort. The basis for this is created by the integrated protection system, which takes the protective elements into account already during the construction of the body shell. The high-precision moulded parts are manufactured with utmost care and pinpoint accuracy, and installed to fit precisely. With this procedure potential weak spots do not occur in the first place. At the same time your S-Guard offers maximum comfort with its headroom and shoulder room as well as when climbing in and out, thus also setting new benchmarks.



**State saloon
1928**



1928 – 1932
Nürburg 460



1930 – 1938
Grand Mercedes 770



1938 – 1943
Grand Mercedes 770



1942 – 1943
540 K

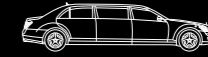
**Pullman
1965**



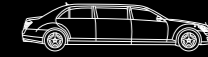
1965 – 1984
600 Pullman



1995 – 1999
S 600 Pullman



2004
S 600 Pullman



2008
S 600 Pullman

**G-Guard
1979**



1979
280 GE

1980
G 230 Popemobile



1994
G 320



1999
G 500



2009
G 500



2013
G-Guard

**E-Guard
1995**



1995 – 2007
E 320



2000 – 2009
E 320 CDI



2009
E 350 CDI

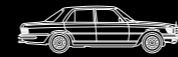


2012
E-Guard

**S-Guard
1971**



1971 – 1972
280 SE



1973 – 1980
350 SE



1980 – 1991
380 SE



1992 – 2000
500 SEL



2000 – 2008
Long-wheelbase S 500



2009
S 450 CDI



2014
S-Guard

**M-Guard
2013**



2013
M-Guard

Factory-fitted safety. For over 80 years.

Mercedes-Benz's capacity for innovation is legendary. The same passion is shown by the movers and shakers at Mercedes-Benz Guard, who for more than 80 years have been working on meeting the highest standards of mobility combined with providing highest protection for the vehicle occupants. This is based on the idea of creating a secure framework for individual freedom and development. Accompanied by the conviction that from a safe position we can make the world move forward!



A system that lets you breathe.

The highest standards for offering personal protection mean that your S-Guard is also ready for invisible dangers. An emergency fresh-air system protects the occupants against penetrating smoke or irritant gases. For this purpose a compressed air bottle is installed in the boot and sensors that detect irritant gases are located in areas where air enters the vehicle.

The sensors activate the fresh-air system – the air recirculation flap is closed and the blower is switched off. A push of the activation button then closes the exhaust air flaps and starts the flow of fresh air from the bottle into the vehicle interior. Plenty of time to leave the danger zone.

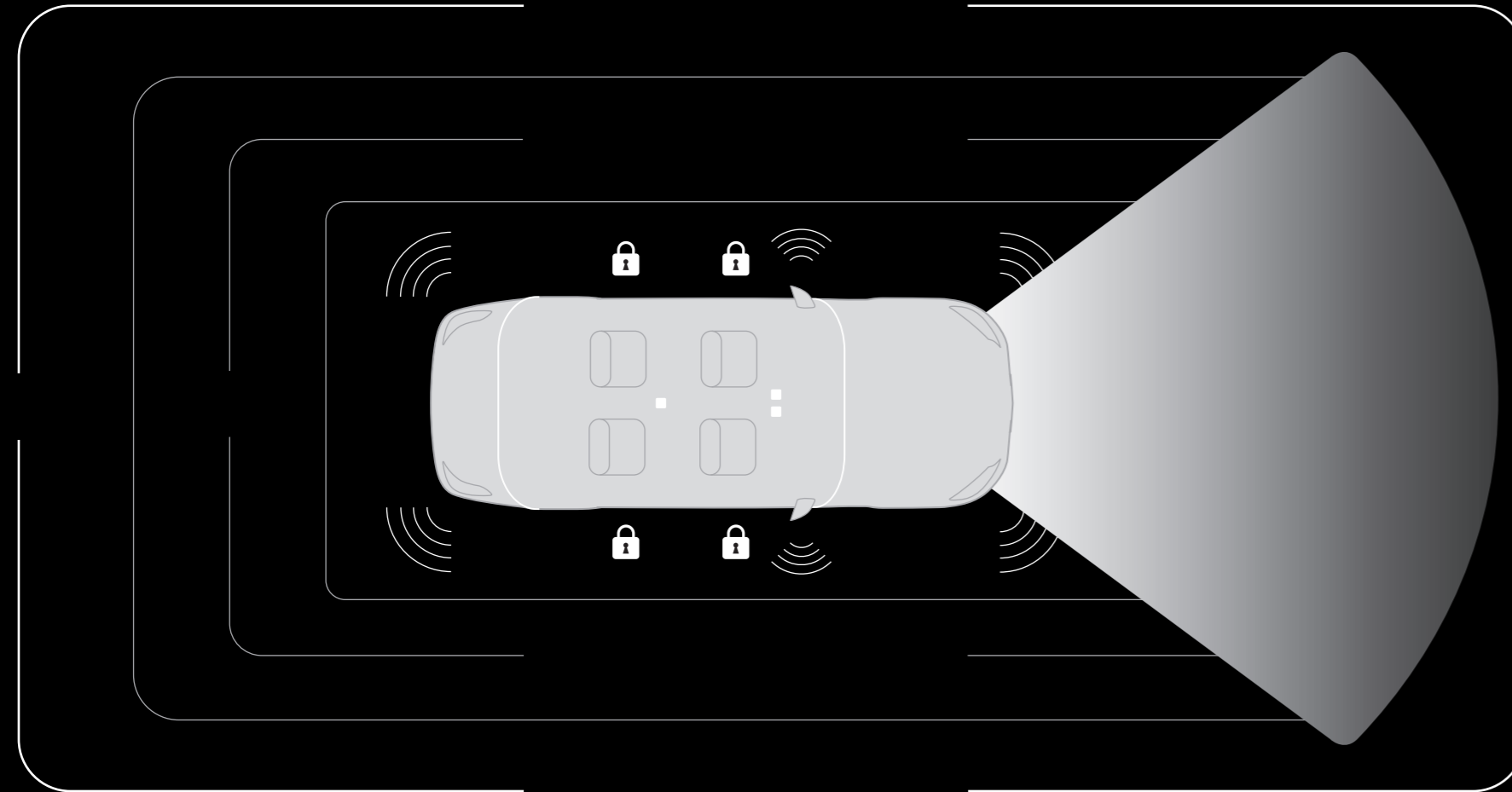


In areas where different materials meet, the sophisticated labyrinth system ensures that no weak points are created.

More strength for more protection.

The glazing of a special protection vehicle is particularly important. It goes without saying that your S-Guard is exclusively equipped with special glass that has outstanding optical properties. The even further increased thickness of the individual glass layers is unrivalled. They are processed into a sandwich structure with lots of experience, know-how and diligence, and fitted with an additional inner polycarbonate layer. A new standard in highest protection, as the interior remains optimally protected against the penetration of glass splinters or projectiles and other similarly dangerous objects. Another intelligent principle

is used for highest protection of the interior that emphasises the superiority of the integrated protection system. Weak points can exist in places where on material transitions to another. But your S-Guard solves this problem before it ever arises. Thanks to heavily reinforced armour-plating made of special steel used in overlapping designs a bullet would be deflected like in a labyrinth and projectiles would be prevented from penetrating.



At the push of a button the acoustic signals are activated, the flashing lights are turned on and all doors are locked.



A trigger switch for the panic alarm system is located near the steering wheel.



The rear-seat passengers can activate the panic alarm system with one touch.

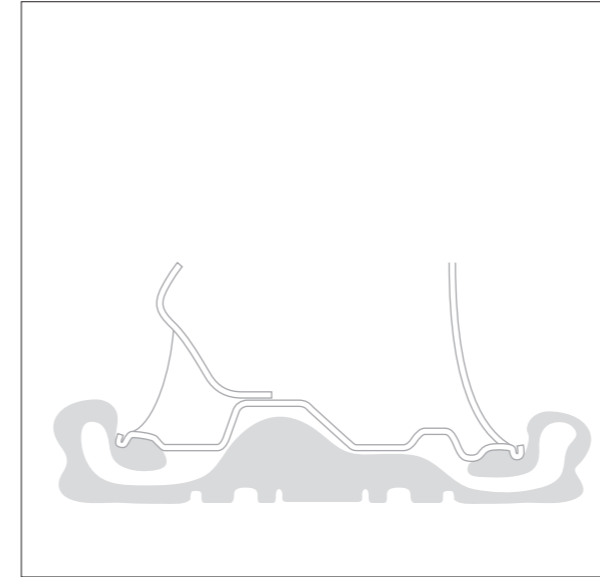


A microphone built into the flashing exterior mirror allows communication with the outside world.

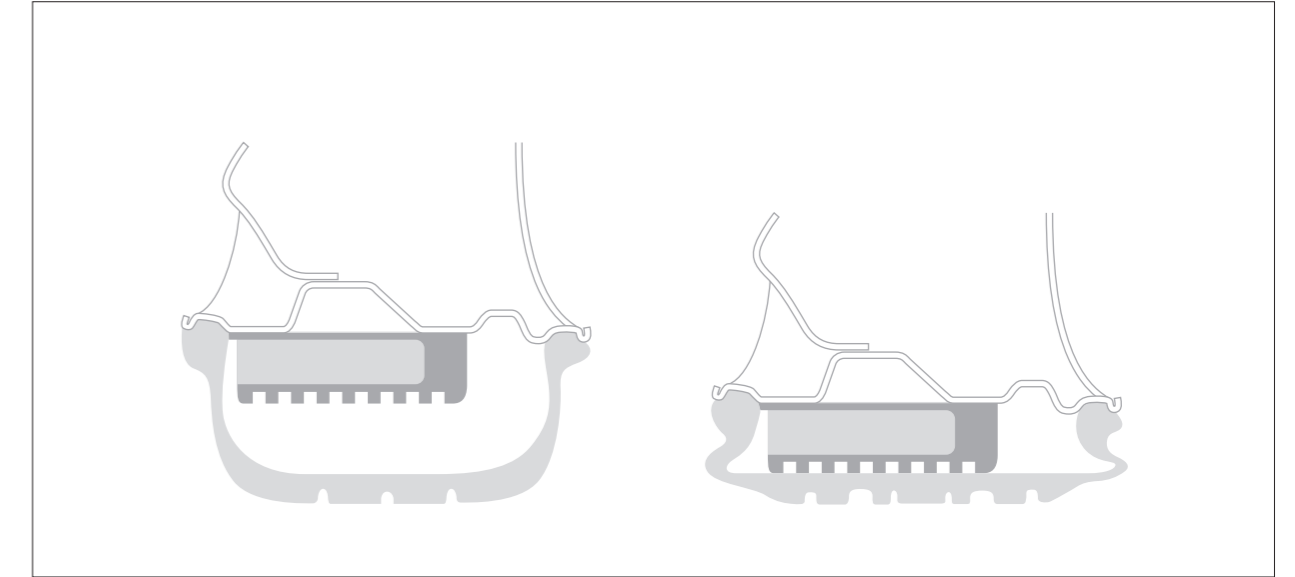
Alarm if there is danger.

A safe method to deprive potential attackers of their cover is to draw maximum attention to them. For this purpose your S-Guard is equipped with a panic alarm system that can be activated by the driver, the front passenger or the rear-seat passenger at a simple push of a button. Once triggered, nobody will be able to turn a blind eye to the alarm signals, let alone a deaf ear.

The acoustic warning signal is deafening, the headlamps and indicators flash and at the same time all doors are locked. Communication with the outside world is nonetheless assured: the intercom system with a hands-free microphone lets you communicate even with the doors and windows closed.



Series-production tyres: during loss of air the vehicle weight falls onto the wheel and prevents the car from continuing the journey.



PAX run-flat system: attached to the rim is a rubber ring which bears the vehicle weight during loss of air and makes it possible to continue the journey.

Anything but stopping.

To guarantee your safety even in potentially dangerous situations, one maxim of special protection is being able to leave the site of danger as quickly as possible. For this purpose your S-Guard is equipped with special PAX run-flat tyres, which allow continuing on at a limited speed even if the tyre suddenly or slowly loses air. Special anchoring of the tyre

as well as integrated sidewall supports maintain your vehicle's manoeuvrability even if the tyre is completely flat. The tyre pressure monitoring system is also part of the standard equipment in the interest of your safety in everyday operation.



The extinguishing agent is delivered to the right places within seconds through a number of different lines.



The bottle with the effective extinguishing agent is securely fastened in the boot.



The activation button for the fire extinguishing system is marked clearly to ensure safe operation.

Faster than the fire brigade.

To ensure your S-Guard meets the high protection requirements also if there is a risk of fire, the integrated fire extinguishing system prevents the underbody and the engine compartment of the vehicle from catching fire in the first place. The system is fully automatic and triggered by heat sensors, but can also be activated manually without having to get out of the vehicle. The bottle of effective extinguishing agent is located

in the boot. From there the agent is delivered to the 12 sprinkler nozzles on the underside of the car and in the engine compartment. Nitrogen distributes the aerosol through independent lines so that the entire system remains operational even if an individual line might be blocked.



Car flag poles for flying the flag on special occasions can be easily mounted with a special quick-release fastener.



A visual traffic light system ensures the specified following distance for vehicles travelling in convoys.

Special solutions as required.

As a government vehicle an S-Guard has highly specific duties. The experts at Mercedes-Benz make full use of the entire spectrum of individualisation options and employ well-honed custom solutions to make sure the S-Guard optimally meets the wide range of different requirements. The result is a built-to-order special protection

vehicle tailored to the respective applicable national regulations and areas of application, a true S-Guard that does not compromise on safety and comfort. Talk to us about your requests and special solutions.





Chilled beverages for rear-seat passengers always in reach in the built-in refrigerated compartment.



The cup holder with a heating and cooling function, identifiable by the red or blue colour.

Spotlight on comfort.

Your S-Guard is optimally equipped for concentrated work, too. Individually adjustable swivelling reading lamps are fitted above both rear seats. The focused light cone veritably floods the work table with light, increasing comfort when reading. The lamps are stylishly integrated flush into the high-class ambience and colour-coordinated with the roof lining. With the opaque rear roller blinds you are also protected from prying eyes. Even at night when the interior lighting is on no contours are discernible in the rear. Your S-Guard has

further features to ensure your relaxation and wellbeing. In addition to the convenient entrance height and the freedom of movement in the interior of the car there are highlights such as the refrigerated compartment which is fitted as an optional extra behind the centre armrest. It holds two compressor-chilled bottles that provide welcome refreshments which can be served in the two included shatter-proof plastic glasses. Thoroughly ingenious are the cup holders, which keep drinks hot or cold as desired and appropriate.

Invisible on the outside – indispensable on the inside.

The early planning is the prerequisite for the integral protective system and it is also what makes your S-Guard so unique. For even in the development phase the measures and components which serve your safety are precisely and optimally matched to each other and the car. The inconspicuousness of the protection components is another highly essential element of the sophisticated system. Perfectly hidden behind the appearance of a series-production car, the integrated protection system delivers all that's needed to keep you safe. So with the interior dimensions the unique comfort also remains at series-production level. And it's sufficient that you know and we know all that has gone into making this vehicle, so that you can feel safe and protected.



Technical data.

	S 500	S 600
Resistance level BRV 2009, version 2	VR9	VR9
Number of cylinders/EU standards	V8	V12
Total displacement in cc	4663	5980
Rated output ¹ in kW at rpm	335/5250-5500	390/4900-5300
Rated torque in Nm at rpm	700/1800-3500	830/1900-4000
Fuel consumption in l/100 km, CO ₂ emissions ² (g/km)		
Urban	14.8 (345)	18.0 (421)
Extra-urban	8.2 (192)	9.2 (216)
Combined	10.7 (249)	12.9 (299)
Perm. GVW	4610	4660
Kerb weight (EC, incl. driver [75 kg] + tank 90% full)	4080	4160
EC payload	530	500
Acceleration from 0 to 100 km/h in s	7.2	6.8
Top speed in km/h	210 ³	210 ³
Luggage compartment capacity (approx., litres)	361	361
Tank capacity/incl. reserve (litres)	78.5	78.5
Tyres	PAX 255-720 R490 117H	PAX 255-720 R490 117H
Number of seats	5	5

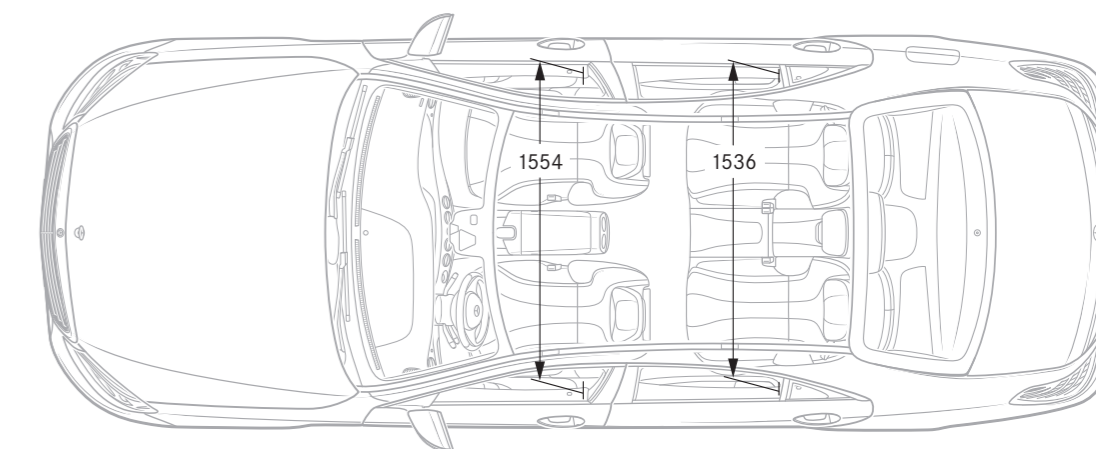
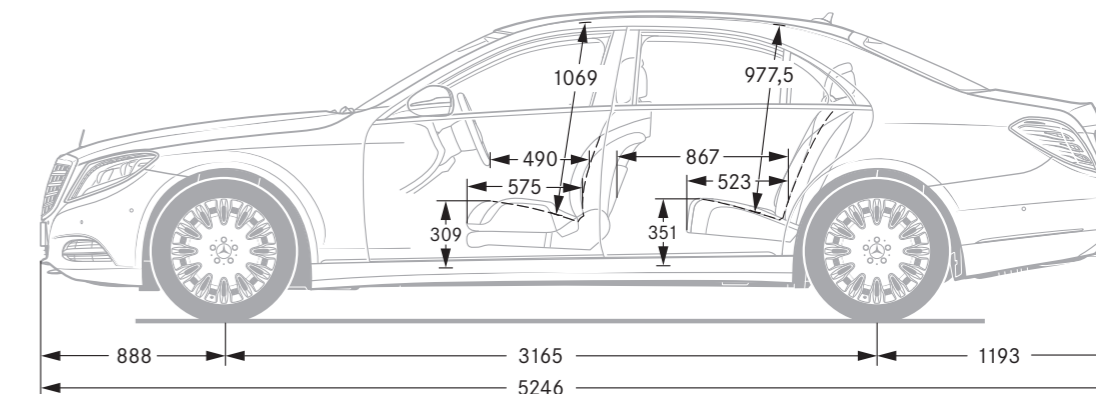
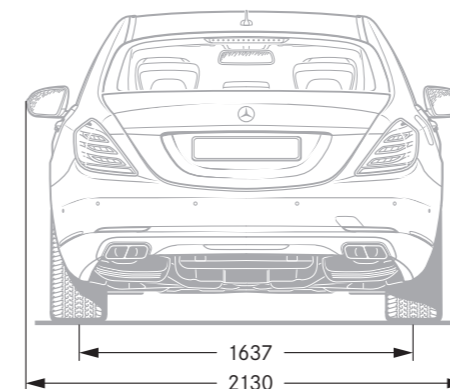
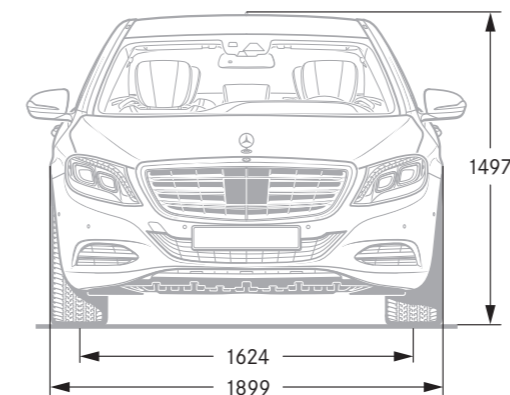
¹ Figures according to Directive 80/1269/EEC in the currently valid version.

² The figures shown were obtained in accordance with the prescribed measuring process (Directive 80/1268/EEC in the currently applicable version).

The figures are not based on an individual model and do not constitute part of the product offer; they are provided solely for purposes of comparison between different vehicle models.

³ Electronically governed.

S-Guard dimensions.



All dimensions in millimetres. The dimensions shown are mean values and apply to standard-specification, unladen vehicles.



Safety as a training session.

It goes without saying that handling safety also plays a decisive role for personal protection in your S-Guard. Our driving safety training offers optimum preparation for confident handling of your special protection vehicle. Several times a year we hold the two-day event exclusively for our customers and their drivers at our training ground. An intensive briefing and explanations on how to operate the specific functions form the first part of the course. In special practical exercises the participants are taught in depth how to deal professionally with the car's special features. Training sessions on the limits of

what is physically possible enhance driving skills. A further highlight is winter training: exercises are carried out in adverse circumstances and in extreme road conditions in order to be able to control the car and also deal with exceptional traffic situations professionally. A certificate on completion of the second day of training confirms participation in the practical sessions. By offering this training we increase handling safety and make an additional contribution towards your personal protection, even in extreme conditions in road traffic.



Priority service. Any time, anywhere.

You can be assured of the highest levels of comfort and service even in the event of damage to your vehicle. Given that your S-Guard represents your own personal protected space, it is vital to keep downtimes to an absolute minimum and to ensure that your full mobility, as well as your feeling of safety and protection, is restored as quickly as possible. Absolute discretion and expertise are the sine qua non of our employees, who also set new standards in terms of the comprehensive range of services they offer and do all that they can to meet any individual request.

The use of only genuine replacement parts and the deployment of specially trained staff are the essential prerequisites for maintaining protection at the highest possible level over the long term. Our integrated protection system means that we apply processes of our own and have developed special solutions for use in selected repair workshops.

The range of services provided by Mercedes-Benz is an extremely important factor. It is impossible for anyone to match such services in respect of a retrospectively armoured vehicle.

Service with responsibility and at every level.

A worldwide network of workshops with specially trained personnel and all the requisite equipment ensures maximum safety during the performance of any services. Furthermore, our partners in markets outside Germany are closely networked with the central coordination office in Stuttgart in the event of any specific questions relating to Guard technology. This structure ensures that a solution for your S-Guard will be found at any time and wherever you may be. The ultimate implementation of the concept of seamless protection.



All for your personal protection. Guaranteed.

As a pioneer in special protection Mercedes-Benz today offers a portfolio as comprehensive as no other manufacturer in the market. With various protection levels the respective S-Guard models correspond to different protection needs. The S-Guard meets all highest protection requirements. With the S-Guard, comprehensive protection and complete safety start at the factory. This includes a full manufacturer's warranty from Mercedes-Benz covering the same scope as applies to the warranty for a production vehicle. Your authorised Mercedes-Benz dealer will be pleased to give you more information.