



View offers

- > Coupé
- > Shooting Brake



Book a test drive

- > Coupé
- > Shooting Brake
- > AMG



Find a Retailer



View the Range Guide

# CLA

Coupé and Shooting Brake



Effective from 1 September 2015.

Mercedes-Benz





View offers

- > Coupé
- > Shooting Brake



Book a test drive

- > Coupé
- > Shooting Brake
- > AMG



Find a Retailer



View the Range Guide

# Contents

Model prices	10	Steering wheels	43	Technical data	60
Finance offers	14	Exclusive package	44	Road Fund Licence	68
Model lines	22	AMG Exclusive package	45	Services and insurance	69
Mercedes-AMG driver training	32	Optional equipment	46	Mercedes me	70
Standard equipment	34	Genuine Accessories	52	Mercedes-Benz Finance	72
Wheels	40	Colours and materials	56		



View offers

- > Coupé
- > Shooting Brake



Book a  
test drive

- > Coupé
- > Shooting Brake
- > AMG



> Find a Retailer



> View the Range Guide

## The hard facts to melt your heart

At Mercedes-Benz we appreciate the importance of detail. Over the following pages you'll find model prices and a breakdown of standard and optional equipment, as well as details of the comprehensive services and benefits that are available to every Mercedes-Benz driver.

See Mercedes-Benz in a new light. Now is the time to get yourself behind the wheel of a CLA. Choose from a number of attractive finance offers. Please see pages 14–21 for further details, or visit [www.mercedes-benz.co.uk/offers](http://www.mercedes-benz.co.uk/offers)

Of course, some things have to be experienced to be truly appreciated, such as the qualities that set a Mercedes-Benz apart. Which is why we'd like to invite you for a test drive at your local Mercedes-Benz Retailer. Alternatively, you can make arrangements by visiting [www.mercedes-benz.co.uk/testdrive](http://www.mercedes-benz.co.uk/testdrive)

For more information visit [www.mercedes-benz.co.uk](http://www.mercedes-benz.co.uk) or call 0333 222 0500.



View offers

- > Coupé
- > Shooting Brake



Book a test drive

- > Coupé
- > Shooting Brake
- > AMG



Find a Retailer



View the Range Guide

4



Some of the model features, optional extras and colours shown may not be available, or may only be available in a different specification.





View offers

- > Coupé
- > Shooting Brake



Book a test drive

- > Coupé
- > Shooting Brake
- > AMG



Find a Retailer



View the Range Guide





View offers

- > Coupé
- > Shooting Brake



Book a test drive

- > Coupé
- > Shooting Brake
- > AMG



Find a Retailer



View the Range Guide

6



Some of the model features, optional extras and colours shown may not be available, or may only be available in a different specification.





View offers

- > Coupé
- > Shooting Brake



Book a test drive

- > Coupé
- > Shooting Brake
- > AMG



Find a Retailer



View the Range Guide



Some of the model features, optional extras and colours shown may not be available, or may only be available in a different specification.



View offers  
▶ Coupé  
▶ Shooting Brake



Book a  
test drive

▶ Coupé  
▶ Shooting Brake  
▶ AMG



▶ Find a Retailer



▶ View the Range Guide

8







View offers

- > Coupé
- > Shooting Brake



Book a test drive

- > Coupé
- > Shooting Brake
- > AMG



Find a Retailer



View the Range Guide



Some of the model features, optional extras and colours shown may not be available, or may only be available in a different specification.



View offers

- > Coupé
- > Shooting Brake



Book a test drive

- > Coupé
- > Shooting Brake
- > AMG



Find a Retailer



View the Range Guide

10

## Model prices – Coupé

Engine	Model line	Transmission	CO <sub>2</sub>	Basic RRP excl. VAT (£)	Total RRP incl. VAT (£)	Road Fund Licence (£) <sup>1</sup>	Rec. OTR price (£) <sup>2</sup>	P11D value (£)	BiK tax rate 2015/16 (%)
<b>CLA 200 d</b> Diesel – 2,143 cc, 4-cylinder, 136 hp/100 kW	Sport	6-speed manual	109	22,108.33	26,530.00	0.00	27,200.00	27,145.00	19
		7G-DCT 7-speed automatic <sup>3</sup>	105	23,316.67	27,980.00	0.00	28,650.00	28,595.00	19
	AMG Sport	6-speed manual	109	23,941.67	28,730.00	0.00	29,400.00	29,345.00	19
		7G-DCT 7-speed automatic <sup>3</sup>	105	25,150.00	30,180.00	0.00	30,850.00	30,795.00	19
<b>CLA 220 d</b> Diesel – 2,143 cc, 4-cylinder, 177 hp/130 kW	Sport	7G-DCT 7-speed automatic <sup>3</sup>	109	24,508.33	29,410.00	0.00	30,080.00	30,025.00	19
	AMG Sport	7G-DCT 7-speed automatic <sup>3</sup>	109	26,341.67	31,610.00	0.00	32,280.00	32,225.00	19
	OrangeArt	7G-DCT 7-speed automatic <sup>3</sup>	109	28,008.33	33,610.00	0.00	34,280.00	34,225.00	19
<b>CLA 220 d 4MATIC</b> Diesel – 2,143 cc, 4-cylinder, 177 hp/130 kW	Sport	7G-DCT 7-speed automatic <sup>3</sup>	123	25,758.33	30,910.00	0.00	31,580.00	31,525.00	22
	AMG Sport	7G-DCT 7-speed automatic <sup>3</sup>	123	27,591.67	33,110.00	0.00	33,780.00	33,725.00	22
	OrangeArt	7G-DCT 7-speed automatic <sup>3</sup>	123	29,258.33	35,110.00	0.00	35,780.00	35,725.00	22



View offers

- > Coupé
- > Shooting Brake



Book a test drive

- > Coupé
- > Shooting Brake
- > AMG



Find a Retailer



View the Range Guide

Model prices

11

Engine	Model line	Transmission	CO <sub>2</sub>	Basic RRP excl. VAT (£)	Total RRP incl. VAT (£)	Road Fund Licence (£) <sup>1</sup>	Rec. OTR price (£) <sup>2</sup>	P11D value (£)	BiK tax rate 2015/16 (%)
<b>CLA 180</b> Petrol - 1,595 cc, 4-cylinder, 122 hp/90 kW	Sport	6-speed manual	128	20,316.67	24,380.00	0.00	25,050.00	24,995.00	20
		7G-DCT 7-speed automatic <sup>3</sup>	122	21,525.00	25,830.00	0.00	26,500.00	26,445.00	19
	AMG Sport	6-speed manual	128	22,150.00	26,580.00	0.00	27,250.00	27,195.00	20
		7G-DCT 7-speed automatic <sup>3</sup>	122	23,358.33	28,030.00	0.00	28,700.00	28,645.00	19
<b>CLA 250</b> Petrol - 1,991 cc, 4-cylinder, 218 hp/160 kW	250 AMG	6-speed manual	156	26,066.67	31,280.00	180.00	32,130.00	31,895.00	26
	250 AMG	7G-DCT 7-speed automatic <sup>3</sup>	141	27,275.00	32,730.00	145.00	33,545.00	33,345.00	23
<b>CLA 250 4MATIC</b> Petrol - 1,991 cc, 4-cylinder, 218 hp/160 kW	250 AMG	7G-DCT 7-speed automatic <sup>3</sup>	158	28,525.00	34,230.00	180.00	35,080.00	34,845.00	26
<b>Mercedes-AMG</b>									
<b>Mercedes-AMG CLA 45 4MATIC</b> Petrol - 1,991 cc, 4-cylinder, 381 hp/280 kW	-	AMG SPEEDSHIFT DCT 7-speed sports	171	34,745.83	41,695.00	295.00	42,660.00	42,310.00	27

<sup>1</sup>A different first year rate of Vehicle Excise Duty (Road Fund Licence) applies for new cars. Please refer to page 68 for the relevant rate for the second and subsequent years

<sup>2</sup>Recommended on-the-road price: these prices reflect the Road Fund Licence applicable to the standard model plus £670.00 additional costs necessary to put your car on the road.

Included are a standard UK delivery charge (£540.00 incl. VAT), new vehicle registration fee (£55.00), number plates (£25.00 incl. VAT) and fuel (£50.00 incl. VAT). VAT is calculated at the standard rate of 20%

<sup>3</sup>With SPEEDTRONIC cruise control as standard





View offers

- > Coupé
- > Shooting Brake



Book a test drive

- > Coupé
- > Shooting Brake
- > AMG



Find a Retailer



View the Range Guide

12

## Model prices – Shooting Brake

Engine	Model line	Transmission	CO <sub>2</sub>	Basic RRP excl. VAT (£)	Total RRP incl. VAT (£)	Road Fund Licence (£) <sup>1</sup>	Rec. OTR price (£) <sup>2</sup>	P11D value (£)	BiK tax rate 2015/16 (%)
<b>CLA 200 d</b> Diesel – 2,143 cc, 4-cylinder, 136 hp/100 kW	Sport	6-speed manual	111	22,816.67	27,380.00	0.00	28,050.00	27,995.00	20
		7G-DCT 7-speed automatic <sup>3</sup>	106	24,025.00	28,830.00	0.00	29,500.00	29,445.00	19
	AMG Sport	6-speed manual	111	24,650.00	29,580.00	0.00	30,250.00	30,195.00	20
		7G-DCT 7-speed automatic <sup>3</sup>	106	25,858.33	31,030.00	0.00	31,700.00	31,645.00	19
<b>CLA 220 d</b> Diesel – 2,143 cc, 4-cylinder, 177 hp/130 kW	Sport	7G-DCT 7-speed automatic <sup>3</sup>	108	25,216.67	30,260.00	0.00	30,930.00	30,875.00	19
	AMG Sport	7G-DCT 7-speed automatic <sup>3</sup>	108	27,050.00	32,460.00	0.00	33,130.00	33,075.00	19
	OrangeArt	7G-DCT 7-speed automatic <sup>3</sup>	108	28,716.67	34,460.00	0.00	35,130.00	35,075.00	19
<b>CLA 220 d 4MATIC</b> Diesel – 2,143 cc, 4-cylinder, 177 hp/130 kW	Sport	7G-DCT 7-speed automatic <sup>3</sup>	126	26,466.67	31,760.00	0.00	32,430.00	32,375.00	23
	AMG Sport	7G-DCT 7-speed automatic <sup>3</sup>	126	28,300.00	33,960.00	0.00	34,630.00	34,575.00	23
	OrangeArt	7G-DCT 7-speed automatic <sup>3</sup>	126	29,966.67	35,960.00	0.00	36,630.00	36,575.00	23



View offers

- > Coupé
- > Shooting Brake



Book a test drive

- > Coupé
- > Shooting Brake
- > AMG



Find a Retailer



View the Range Guide

Model prices

13

Engine	Model line	Transmission	CO <sub>2</sub>	Basic RRP excl. VAT (£)	Total RRP incl. VAT (£)	Road Fund Licence (£) <sup>1</sup>	Rec. OTR price (£) <sup>2</sup>	P11D value (£)	BiK tax rate 2015/16 (%)
<b>CLA 180</b> Petrol - 1,595 cc, 4-cylinder, 122 hp/90 kW	Sport	6-speed manual	134	21,025.00	25,230.00	130.00	26,030.00	25,845.00	21
		7G-DCT 7-speed automatic <sup>3</sup>	128	22,233.33	26,680.00	0.00	27,350.00	27,295.00	20
	AMG Sport	6-speed manual	134	22,858.33	27,430.00	130.00	28,230.00	28,045.00	21
		7G-DCT 7-speed automatic <sup>3</sup>	128	24,066.67	28,880.00	0.00	29,550.00	29,495.00	20
<b>CLA 250 4MATIC</b> Petrol - 1,991 cc, 4-cylinder, 218 hp/160 kW	250 AMG	7G-DCT 7-speed automatic <sup>3</sup>	158	29,233.33	35,080.00	180.00	35,930.00	35,695.00	26
<b>Mercedes-AMG</b>									
<b>Mercedes-AMG CLA 45 4MATIC</b> Petrol - 1,991 cc, 4-cylinder, 381 hp/280 kW	-	AMG SPEEDSHIFT DCT 7-speed sports	171	35,454.17	42,545.00	295.00	43,510.00	43,160.00	27

<sup>1</sup>A different first year rate of Vehicle Excise Duty (Road Fund Licence) applies for new cars. Please refer to page 68 for the relevant rate for the second and subsequent years

<sup>2</sup>Recommended on-the-road price: these prices reflect the Road Fund Licence applicable to the standard model plus £670.00 additional costs necessary to put your car on the road.

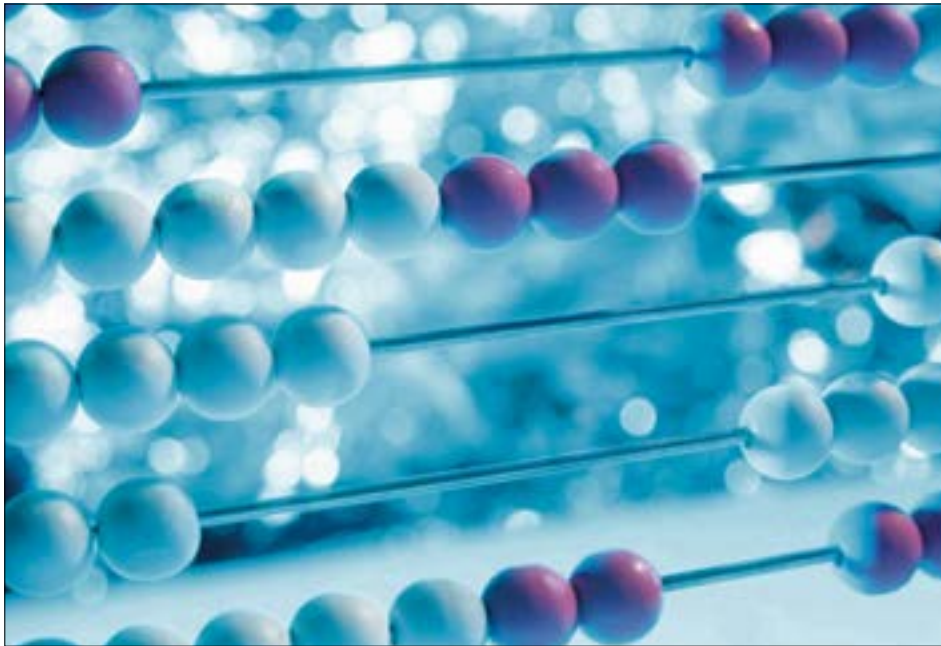
<sup>3</sup>Included are a standard UK delivery charge (£540.00 incl. VAT), new vehicle registration fee (£55.00), number plates (£25.00 incl. VAT) and fuel (£50.00 incl. VAT). VAT is calculated at the standard rate of 20%

<sup>3</sup>With SPEEDTRONIC cruise control as standard



# Mercedes-Benz Finance

Where the clever money goes



## CLA 180 Sport Coupé with optional metallic paint (representative example)

36 monthly payments of <sup>1</sup>	£299.00
On-the-road price	£25,710.00
Customer deposit	£3,999.00
Retailer deposit contribution	£685.80
Duration of agreement	36 months
Optional purchase payment <sup>2</sup>	£13,125.00
Purchase activation fee <sup>2</sup>	£10.00
Amount of credit	£21,025.20
Total amount payable <sup>3</sup>	£28,583.80
Representative APR	5.7% APR
Fixed interest rate	5.52%





View offers

- > Coupé
- > Shooting Brake



Book a test drive

- > Coupé
- > Shooting Brake
- > AMG



> Find a Retailer



> View the Range Guide

### Example offers – 5.7% APR Representative

	Automatic	Metallik	On-the-road price	Retailer deposit contribution	Customer deposit	36 monthly payments of <sup>1</sup>
CLA 180 AMG Sport Coupé	–	○	£27,910.00	£685.80	£4,654.77	£329.00
CLA 220 d AMG Sport Coupé	●	○	£32,940.00	£2,231.50	£3,999.00	£399.00

● Standard equipment ○ Optional equipment included in the price

### Mercedes-Benz Service Care

- Mercedes-Benz trained Technicians
- Maintained by Mercedes-Benz Retailers
- Meets requirements of Mercedes-Benz Agility finance agreement

### Mercedes-Benz Motor Insurance

- 24/7 UK accident recovery
- We use Mercedes-Benz GenuineParts
- To qualify for up to 10% discount online, go to [www.mercedes-benz.co.uk/motorinsurance](http://www.mercedes-benz.co.uk/motorinsurance)
- Alternatively, call Mercedes-Benz Motor Insurance now on **0345 600 2180<sup>4</sup>** for an annual quote

We may decline to quote in some circumstances. Mercedes-Benz Motor Insurance is underwritten by Aviva Insurance Limited

Whilst these offers are only available with Mercedes-Benz Finance, our Mercedes-Benz Retailers do arrange finance on behalf of other finance companies as well

Orders/credit approvals on selected CLA Coupé models between 1 October and 31 December 2015, registered by 31 March 2016; excluding AMG CLA45 Coupé models. Some combinations of features/options may not be available.

Please contact your local Mercedes-Benz Retailer for availability

<sup>1</sup>Based on a Mercedes-Benz Agility agreement and 10,000 miles per annum. Vehicle condition, excess mileage and other charges may be payable. Quotations available on request for alternative contract lengths and mileages.

Guarantees and indemnities may be required. Terms and Conditions apply. Credit provided subject to status by Mercedes-Benz Financial Services UK Ltd, MK15 8BA

<sup>2</sup>Payable if you exercise the option to purchase the car. Guaranteed future value if you choose to hand back the vehicle at the end of the contract

<sup>3</sup>Includes optional purchase payment, purchase activation fee and Retailer deposit contribution <sup>4</sup>Calls are charged at local rate and may be recorded



# Mercedes-Benz Finance

It comes with a specification list worth exploring



## Mercedes-AMG CLA 45 4MATIC Coupé with automatic transmission and optional metallic paint (representative example)

36 monthly payments of <sup>1</sup>	£549.00
On-the-road price	£43,320.00
Customer deposit	£7,298.50
Duration of agreement	36 months
Optional purchase payment <sup>2</sup>	£21,675.00
Purchase activation fee <sup>2</sup>	£10.00
Amount of credit	£36,021.50
Total amount payable <sup>3</sup>	£48,747.50
Representative APR	6.4% APR
Fixed interest rate	6.17%



View offers

- > Coupé
- > Shooting Brake



Book a test drive

- > Coupé
- > Shooting Brake
- > AMG



Find a Retailer



View the Range Guide

**Example offers –  
6.4% APR Representative**

	Automatic	Metallic	On-the-road price	Customer deposit	36 monthly payments of <sup>1</sup>
Mercedes-AMG CLA 45 4MATIC Coupé	●	○	£43,320.00	£7,298.50	£549.00

● Standard equipment ○ Optional equipment included in the price

### Mercedes-Benz Service Care

- Mercedes-Benz trained Technicians
- Maintained by Mercedes-Benz Retailers
- Meets requirements of Mercedes-Benz Agility finance agreement

### Mercedes-Benz Motor Insurance

- 24/7 UK accident recovery
- We use Mercedes-Benz GenuineParts
- To qualify for up to 10% discount online, go to [www.mercedes-benz.co.uk/motorinsurance](http://www.mercedes-benz.co.uk/motorinsurance)
- Alternatively, call Mercedes-Benz Motor Insurance now on **0345 600 2180<sup>4</sup>** for an annual quote

We may decline to quote in some circumstances. Mercedes-Benz Motor Insurance is underwritten by Aviva Insurance Limited

Whilst these offers are only available with Mercedes-Benz Finance, our Mercedes-Benz Retailers do arrange finance on behalf of other finance companies as well

Orders/credit approvals on AMG CLA 45 Coupé models between 1 October and 31 December 2015, registered by 31 March 2016; excluding non-AMG models. Some combinations of features/options may not be available.

Please contact your local Mercedes-Benz Retailer for availability

<sup>1</sup>Based on a Mercedes-Benz Agility agreement and 10,000 miles per annum. Vehicle condition, excess mileage and other charges may be payable. Quotations available on request for alternative contract lengths and mileages.

Guarantees and indemnities may be required. Terms and Conditions apply. Credit provided subject to status by Mercedes-Benz Financial Services UK Ltd, MK15 8BA

<sup>2</sup>Payable if you exercise the option to purchase the car. Guaranteed future value if you choose to hand back the vehicle at the end of the contract

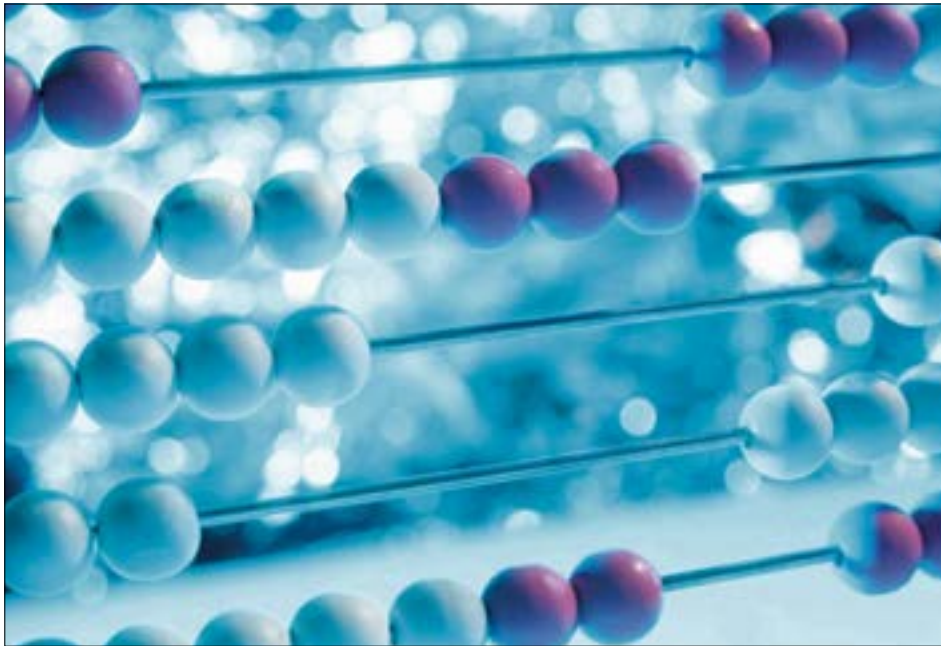
<sup>3</sup>Includes optional purchase payment and purchase activation fee <sup>4</sup>Calls are charged at local rate and may be recorded





# Mercedes-Benz Finance

The finance plan is designed to impress too



## CLA 180 Sport Shooting Brake with optional metallic paint (representative example)

36 monthly payments of <sup>1</sup>	£299.00
On-the-road price	£26,690.00
Customer deposit	£3,999.00
Retailer deposit contribution	£1,030.02
Duration of agreement	36 months
Optional purchase payment <sup>2</sup>	£13,875.00
Purchase activation fee <sup>2</sup>	£10.00
Amount of credit	£21,660.98
Total amount payable <sup>3</sup>	£29,678.02
Representative APR	5.7% APR
Fixed interest rate	5.52%



View offers

- > Coupé
- > Shooting Brake



Book a test drive

- > Coupé
- > Shooting Brake
- > AMG



> Find a Retailer



> View the Range Guide

**Example offers –  
5.7% APR Representative**

	Automatic	Metallik	On-the-road price	Retailer deposit contribution	Customer deposit	36 monthly payments of <sup>1</sup>
CLA 180 AMG Sport Shooting Brake	–	○	£28,890.00	£1,030.02	£4,654.77	£329.00
CLA 220 d AMG Sport Shooting Brake	●	○	£33,790.00	£1,979.48	£3,999.00	£399.00

● Standard equipment ○ Optional equipment included in the price

### Mercedes-Benz Service Care

- Mercedes-Benz trained Technicians
- Maintained by Mercedes-Benz Retailers
- Meets requirements of Mercedes-Benz Agility finance agreement

### Mercedes-Benz Motor Insurance

- 24/7 UK accident recovery
- We use Mercedes-Benz GenuineParts
- To qualify for up to 10% discount online, go to [www.mercedes-benz.co.uk/motorinsurance](http://www.mercedes-benz.co.uk/motorinsurance)
- Alternatively, call Mercedes-Benz Motor Insurance now on **0345 600 2180<sup>4</sup>** for an annual quote

We may decline to quote in some circumstances. Mercedes-Benz Motor Insurance is underwritten by Aviva Insurance Limited

Whilst these offers are only available with Mercedes-Benz Finance, our Mercedes-Benz Retailers do arrange finance on behalf of other finance companies as well

Orders/credit approvals on selected CLA Shooting Brake models between 1 October and 31 December 2015, registered by 31 March 2016; excluding AMG CLA45 Shooting Brake models. Some combinations of features/options may not be available. Please contact your local Mercedes-Benz Retailer for availability

<sup>1</sup>Based on a Mercedes-Benz Agility agreement and 10,000 miles per annum. Vehicle condition, excess mileage and other charges may be payable. Quotations available on request for alternative contract lengths and mileages.

Guarantees and indemnities may be required. Terms and Conditions apply. Credit provided subject to status by Mercedes-Benz Financial Services UK Ltd, MK15 8BA

<sup>2</sup>Payable if you exercise the option to purchase the car. Guaranteed future value if you choose to hand back the vehicle at the end of the contract

<sup>3</sup>Includes optional purchase payment, purchase activation fee and Retailer deposit contribution <sup>4</sup>Calls are charged at local rate and may be recorded



# Mercedes-Benz Finance

Even the finance offer is beautifully put together



## Mercedes-AMG CLA 45 4MATIC Shooting Brake with automatic transmission and optional metallic paint (representative example)

36 monthly payments of <sup>1</sup>	£549.00
On-the-road price	£44,170.00
Customer deposit	£7,337.87
Duration of agreement	36 months
Optional purchase payment <sup>2</sup>	£22,650.00
Purchase activation fee <sup>2</sup>	£10.00
Amount of credit	£36,832.13
Total amount payable <sup>3</sup>	£49,761.87
Representative APR	6.4% APR
Fixed interest rate	6.17%



View offers

- > Coupé
- > Shooting Brake



Book a test drive

- > Coupé
- > Shooting Brake
- > AMG



> Find a Retailer



> View the Range Guide

**Example offers –  
6.4% APR Representative**

	Automatic	Metallic	On-the-road price	Customer deposit	36 monthly payments of <sup>1</sup>
Mercedes-AMG CLA 45 4MATIC Shooting Brake	●	○	£44,170.00	£7,337.87	£549.00

● Standard equipment ○ Optional equipment included in the price

### Mercedes-Benz Service Care

- Mercedes-Benz trained Technicians
- Maintained by Mercedes-Benz Retailers
- Meets requirements of Mercedes-Benz Agility finance agreement

### Mercedes-Benz Motor Insurance

- 24/7 UK accident recovery
- We use Mercedes-Benz GenuineParts
- To qualify for up to 10% discount online, go to [www.mercedes-benz.co.uk/motorinsurance](http://www.mercedes-benz.co.uk/motorinsurance)
- Alternatively, call Mercedes-Benz Motor Insurance now on **0345 600 2180<sup>4</sup>** for an annual quote

We may decline to quote in some circumstances. Mercedes-Benz Motor Insurance is underwritten by Aviva Insurance Limited

Whilst these offers are only available with Mercedes-Benz Finance, our Mercedes-Benz Retailers do arrange finance on behalf of other finance companies as well

Orders/credit approvals on AMG CLA 45 Shooting Brake models between 1 October and 31 December 2015, registered by 31 March 2016; excluding non-AMG models. Some combinations of features/options may not be available.

Please contact your local Mercedes-Benz Retailer for availability

<sup>1</sup>Based on a Mercedes-Benz Agility agreement and 10,000 miles per annum. Vehicle condition, excess mileage and other charges may be payable. Quotations available on request for alternative contract lengths and mileages.

Guarantees and indemnities may be required. Terms and Conditions apply. Credit provided subject to status by Mercedes-Benz Financial Services UK Ltd, MK15 8BA

<sup>2</sup>Payable if you exercise the option to purchase the car. Guaranteed future value if you choose to hand back the vehicle at the end of the contract

<sup>3</sup>Includes optional purchase payment and purchase activation fee <sup>4</sup>Calls are charged at local rate and may be recorded





View offers

- > Coupé
- > Shooting Brake



Book a test drive

- > Coupé
- > Shooting Brake
- > AMG



Find a Retailer



View the Range Guide

22

## CLA Sport



Grey ARTICO leather<sup>1</sup>/Corumba cloth with grey chequered design



Optional polar silver metallic paint finish



View offers

- > Coupé
- > Shooting Brake



Book a test drive

- > Coupé
- > Shooting Brake
- > AMG



Find a Retailer



View the Range Guide

The Sport model with its energetic bodystyling is equipped with a single-louvre radiator grille in diamond design, visible twin sports tailpipes, and 18" 5-twin-spoke alloy wheels, all created to turn heads. In addition to the eye-catching and sporty exterior the inside of the CLA Sport features illumination for front door sills, ambient lighting (single colour) and

pre-wiring for Garmin® MAP PILOT navigation system and Audio 20 radio/single CD with a 7-inch CENTRAL MEDIA DISPLAY. Sports seats with integrated headrests are standard and available in a choice of three upholstery and two trim combinations.

### Exterior





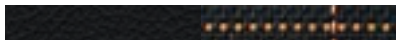
- 18" 5-twin-spoke alloy wheels painted in himalaya grey
- Active Parking Assist including PARKTRONIC
- Beltline strips in chrome look
- Comfort suspension
- Diamond grille with pins in high-gloss black and single silver-painted louvre with chrome inserts
- Exhaust system – twin-pipe exhaust system with rectangular tailpipes in polished stainless steel
- Rain-sensing wipers

### Interior

- 12-button multi-function leather steering wheel – 3-spoke design with perforated grip area and black topstitching
- Audio 20 radio/single CD – 7-inch CENTRAL MEDIA DISPLAY, 6 speakers, telephone keypad, Bluetooth® interface and USB port. Media Interface allows connection and control of portable media devices (e.g. MP3 player, USB storage media)

- Cruise control with SPEEDTRONIC variable speed limiter
- Illumination for headrests, stowage compartment and vanity mirrors; reading lights and console light in rear roof lining
- Sports seats with upholstery in ARTICO leather<sup>1</sup>/Corumba cloth with chequered design
- THERMOTRONIC – luxury automatic climate control, two-zone, with display

### Trim and Upholstery

Wave-look trim in silver	Wave-look trim in anthracite
	
Black ARTICO leather <sup>1</sup> /Corumba cloth with grey chequered design	Grey ARTICO leather <sup>1</sup> /Corumba cloth with black chequered design
	
Black ARTICO leather <sup>1</sup> /Corumba cloth with orange chequered design	
	

<sup>1</sup>Man-made leather



View offers

- > Coupé
- > Shooting Brake



Book a test drive

- > Coupé
- > Shooting Brake
- > AMG



Find a Retailer



View the Range Guide

24

# CLA AMG Sport



Model shown (above right) features optional Mirror package, four-way lumbar support and COMAND Online system



Black ARTICO leather<sup>1</sup>/DINAMICA microfibre



Optional orient bronze metallic paint finish



View offers

- > Coupé
- > Shooting Brake



Book a test drive

- > Coupé
- > Shooting Brake
- > AMG



Find a Retailer



View the Range Guide

If you want to enhance the sporty performance of your CLA, the AMG Sport offers lowered comfort suspension, which lowers the front axle by 20 mm. Looking good: 18" AMG 5-twin-spoke alloy wheels, bi-xenon headlamps and AMG bodystyling comprising front apron, rear apron and side skirts are standard. Adding to the distinctive look of this CLA, black mirror caps,

*In addition/replacement to Sport:*

**Exterior**

- 18" AMG alloy wheels - 5-twin-spoke design with bi-colour finish
- Beltline strips and mirror housings in black
- Bi-xenon headlamps with headlamp wash
- Diamond grille with silver pins, single louvre in high-gloss black and chrome trim
- DYNAMIC SELECT - with a choice of driving modes: ECO, Comfort, Sport and Individual<sup>2</sup>
- Front brake calipers with 'Mercedes-Benz' lettering
- Lowered comfort suspension (lowered by 15 mm rear and 20 mm front)
- Privacy glass

**Interior**

- 12-button multi-function leather steering wheel - 3-spoke design with perforated grip area and red contrast stitching
- AMG floor mats with red stitched edging

black beltline strips and heat-insulating privacy glass in the rear windows enhance the visual appeal. Inside, the sports steering wheel with flattened lower section, red contrast stitching in combination with ARTICO leather<sup>1</sup>/DINAMICA microfibre upholstery adds to the premium atmosphere of the CLA AMG Sport.

- Brushed stainless steel sports pedals with rubber studs
- Sports seats with upholstery in ARTICO leather<sup>1</sup>/DINAMICA microfibre with red contrast stitching

**Trim and Upholstery**

- Light aluminium with longitudinal grain
- Black ARTICO leather<sup>1</sup>/DINAMICA microfibre with red contrast stitching



<sup>1</sup>Man-made leather <sup>2</sup>Only in conjunction with automatic transmission





View offers

- > Coupé
- > Shooting Brake



Book a test drive

- > Coupé
- > Shooting Brake
- > AMG



Find a Retailer



View the Range Guide

# CLA OrangeArt



Model shown (main) features optional Intelligent Light System and panoramic sliding sunroof.  
 Model shown (above right) features optional Mirror package, Memory package, four-way lumbar support and COMAND Online system



Black with orange and grey stripes and orange contrast stitching



Optional cosmos black metallic paint finish



View offers

- > Coupé
- > Shooting Brake



Book a test drive

- > Coupé
- > Shooting Brake
- > AMG



Find a Retailer



View the Range Guide

The new CLA OrangeArt comes with stylish dynamics with striking contrasts. Featuring 18" AMG multi-spoke alloy wheels in black with orange rim combined with orange trim in the front and rear aprons guarantee a truly sporty and striking look. The interior is characterised by many orange highlights, such as the black seat belts and floor mats, which both come

with orange edging; or the upper dashboard trimmed in ARTICO leather<sup>1</sup> with orange contrast stitching. Exclusive dynamism is also revealed with the sports seats upholstered in ARTICO leather<sup>1</sup>/DINAMICA microfibre in black with orange and grey stripes as well as orange contrast stitching.

*In addition/replacement to AMG Sport:*

**Exterior**

18" AMG alloy wheels - multi-spoke design painted in black with orange rim

Bi-xenon headlamps with headlamp wash and orange highlight rings

Orange trim in front and rear aprons

**Interior**

12-button multi-function leather steering wheel - 3-spoke design with perforated grip area and flattened bottom section

Black seat belts with orange highlight edging

Dashboard upper section in ARTICO leather<sup>1</sup> with orange contrast stitching

Floor mats with orange stitched edging

Four-way lumbar support

Front seats - heated

Sports seats with ARTICO leather<sup>1</sup>/DINAMICA microfibre upholstery in black with orange and grey stripes and orange contrast stitching

**Trim and Upholstery**

Dark aluminium with honeycomb grain



Black with orange and grey stripes and orange contrast stitching



<sup>1</sup>Man-made leather



View offers

- > Coupé
- > Shooting Brake



Book a test drive

- > Coupé
- > Shooting Brake
- > AMG



Find a Retailer



View the Range Guide

28

## CLA 250 AMG



Model shown (main) features optional metallic paint, Intelligent Light System and panoramic sunroof.

Model shown (above right) features optional Mirror package, Memory package, four-way lumbar support and COMAND Online system



Black ARTICO leather<sup>1</sup>/DINAMICA microfibre with red contrast stitching



Optional metallic paint and 19" AMG multi-spoke alloy wheels



View offers

- > Coupé
- > Shooting Brake



Book a test drive

- > Coupé
- > Shooting Brake
- > AMG



Find a Retailer



View the Range Guide

As athletic and dynamic as you could possibly get, the CLA 250 AMG model line features AMG bodystyling all round, 18" AMG 5-spoke alloy wheels and a lowered sports suspension with AMG speed-sensitive sports steering. And there's plenty more to catch the eye, such as the bi-xenon headlamps with headlamp wash or the red-painted front and rear brake calipers with

'Mercedes-Benz' lettering on the front calipers. Inside, the colour theme continues with ARTICO leather<sup>1</sup>/DINAMICA microfibre in black with red contrast stitching, red designo seat belts plus floor mats with red stitched edging and 'Sport' badging.

*In addition/replacement to AMG Sport:*

**Exterior**

- 18" AMG alloy wheels - 5-spoke design with high-sheen finish
- AMG speed-sensitive sports steering
- Automatically dimming driver's exterior mirror
- Electrically folding exterior mirrors
- Front and rear brake calipers painted red with 'Mercedes-Benz' lettering on front
- Lowered sports suspension 'Engineered by AMG'
- Modified Electronic Stability Programme (ESP<sup>®</sup>) configuration
- Red trim in front and rear aprons

**Interior**

- 12-colour ambient lighting

- Air vents with black surround, red insert and cruciform nozzle
- Automatically dimming rear view mirror
- designo seat belts in red
- Floor mats with red stitched edging and 'Sport' lettering
- Front seats - heated
- Garmin<sup>®</sup> MAP PILOT navigation system

**Trim and Upholstery**

- Light aluminium with longitudinal grain
- Black ARTICO leather<sup>1</sup>/DINAMICA microfibre with red contrast stitching



<sup>1</sup>Man-made leather





View offers

- > Coupé
- > Shooting Brake



Book a test drive

- > Coupé
- > Shooting Brake
- > AMG



Find a Retailer



View the Range Guide

30

## Mercedes-AMG CLA 45 4MATIC



Optional 19" AMG multi-spoke alloy wheels in matt black (code 787), Intelligent Light System and panoramic sunroof



No-cost option 18" AMG alloy wheels – 5-twin-spoke design



View offers

- > Coupé
- > Shooting Brake



Book a test drive

- > Coupé
- > Shooting Brake
- > AMG



Find a Retailer



View the Range Guide

The Mercedes-AMG CLA 45 4MATIC is a thoroughbred sports car, complete with its top-of-the-range 381 hp 4-cylinder petrol engine. Plenty of athletic features support this powerful set-up: from the AMG Sport suspension and transmission to the performance-orientated 4MATIC all wheel drive system. For dynamic looks the CLA 45 4MATIC model has its unique AMG bodystyling with high-gloss black details on the front apron splitter, side sill panels and rear apron. 19" AMG multi-spoke alloy wheels in titanium grey finish complete

the sporty exterior. For maximum lateral support in every corner, the interior features AMG Performance seats with integrated head restraints and AMG badge for driver and front passenger. They are upholstered in black ARTICO leather<sup>1</sup>/DINAMICA microfibre with red contrast stitching and match the 3-spoke multi-function steering wheel with perforated leather in the grip area and red contrast stitching.

### Exterior

AMG bodystyling – front apron splitter, rear apron and side sill panels in high-gloss black

AMG high-performance braking system with 3-stage ESP<sup>®</sup>

AMG speed-sensitive sports steering

AMG SPEEDSHIFT DCT 7-speed automatic sports transmission including RACE START and 'Sailing' function

AMG sports exhaust system with two twin black chrome-plated tailpipes

AMG sports suspension

AMG-tuned Electronic Stability Programme (ESP<sup>®</sup>) with Acceleration Skid Control (ASR)

Bi-xenon headlamps with headlamp wash and red highlight rings

Privacy glass

### Interior

12-button multi-function leather steering wheel – 3-spoke design with perforated grip area, flattened bottom section and red contrast topstitching

AMG DRIVE UNIT – E-SELECT gearshift lever with leather embossed AMG emblem and main key with AMG emblem

AMG DYNAMIC SELECT – with a choice of driving modes: Comfort, Sport, Sport+ and Individual

AMG floor mats with red stitched edging

AMG instrument cluster with colour display and AMG menu

AMG Performance seats – driver and front passenger

### Trim and Upholstery

Light aluminium with longitudinal grain

Black ARTICO leather<sup>1</sup>/DINAMICA microfibre



<sup>1</sup>Man-made leather



View offers

- > Coupé
- > Shooting Brake



Book a test drive

- > Coupé
- > Shooting Brake
- > AMG



Find a Retailer



View the Range Guide

32

## Exclusive driver training for Mercedes-AMG owners

All Mercedes-AMG customers are invited to a complimentary AMG Driving Academy Training experience at Mercedes-Benz World.



With friendly one-to-one tuition from a professional Mercedes-AMG driver, your training will be personalised to you. You'll push Mercedes-AMG driving performance and your driving skills to the limits on our track and purpose-built low friction dynamic handling facilities.

Through high-speed and adrenaline-fuelled exercises you'll experience oversteer, understeer, slaloms and many more performance driving skills. Designed as part of your ownership experience, this will lay the foundations to master a high-performance vehicle, develop driving skills with maximum enjoyment and prepare you to take full command of your own Mercedes-AMG.

**TERMS AND CONDITIONS:** Only the first purchaser/registered keeper of a newly registered Mercedes-AMG is eligible for this complimentary AMG Driving Academy Training experience which is the AMG BASIC-Training as detailed above. The Training experience must be booked and taken within six months of delivery of your Mercedes-AMG; it cannot be exchanged and cannot be transferred for any other driving experience. The Training experience is available Monday to Friday only and is subject to availability. Mercedes-Benz UK Limited reserves the right to amend or withdraw this Training experience. Attendees must hold a full UK driving licence. Attendees will be required to sign the Mercedes-Benz World Driving Risk Acknowledgement prior to undertaking the Training experience. The Training experience is also subject to full Terms and Conditions, which are available on request.



View offers

- > Coupé
- > Shooting Brake



Book a test drive

- > Coupé
- > Shooting Brake
- > AMG



Find a Retailer



View the Range Guide





View offers

- > Coupé
- > Shooting Brake



Book a test drive

- > Coupé
- > Shooting Brake
- > AMG



Find a Retailer



View the Range Guide

# Standard equipment

Item	Sport	AMG Sport	OrangeArt	250 AMG	Mercedes-AMG CLA 45 4MATIC
<b>Transmission and Suspension</b>					
Cruise control with SPEEDTRONIC variable speed limiter	●	●	●	●	●
Driving modes – DYNAMIC SELECT with a choice of driving modes: ECO, Comfort, Sport and Individual	△	●	●	●	–
Driving modes – AMG DYNAMIC SELECT with a choice of driving modes: Comfort, Sport, Sport+ and Individual	–	–	–	–	●
ECO start/stop function	●	●	●	●	●
Suspension – AMG sports suspension	–	–	–	–	●
Suspension – comfort suspension	●	–	–	–	–
Suspension – lowered comfort suspension (lowered by 20 mm front, 15 mm rear)	–	●	●	–	–
Suspension – lowered sports suspension	–	–	–	●	–
Transmission – 6-speed manual transmission with shift point indicator	△	△	–	△	–
Transmission – 7G-DCT 7-speed dual-clutch automatic transmission with steering wheel gearshift paddles	△	△	●	△	–
Transmission – AMG SPEEDSHIFT DCT 7-speed automatic sports transmission with steering wheel gearshift paddles and RACE START function	–	–	–	–	●

● Standard ○ Optional – Not available △ Dependent on selected engine/equipment †Man-made leather

Item	Sport	AMG Sport	OrangeArt	250 AMG	Mercedes-AMG CLA 45 4MATIC
<b>Exterior</b>					
Beltline strips – black	–	●	●	●	●
Beltline strips – chrome	●	–	–	–	–
Bodystyling – AMG bodystyling with front and rear apron plus side sill panels	–	●	●	●	–
Bodystyling – AMG bodystyling Front apron with splitter in high-gloss black Rear apron with trim strip in high-gloss black Side sill panels with inserts in high-gloss black	–	–	–	–	●
Bodystyling – AMG spoiler lip	–	–	–	–	●
Bodystyling – mirror housings in body colour	●	–	–	–	–
Bodystyling – mirror housings painted black	–	●	●	●	●
Bodystyling – side skirts, body-coloured	●	●	●	●	●
Brakes – brake calipers, front and rear with 'AMG' lettering	–	–	–	–	●
Brakes – brake calipers, front with 'Mercedes-Benz' lettering	–	●	●	–	–
Brakes – brake calipers painted red, front with 'Mercedes-Benz' lettering	–	–	–	●	–





View offers

- > Coupé
- > Shooting Brake



Book a test drive

- > Coupé
- > Shooting Brake
- > AMG



Find a Retailer



View the Range Guide

Standard equipment

Item	Sport	AMG Sport	OrangeArt	250 AMG	Mercedes-AMG CLA 45 4MATIC
<b>Exterior (continued)</b>					
Bumpers – body-coloured	●	●	●	●	●
Door handles – body-coloured	●	●	●	●	●
Door mirrors – auto-dimming driver’s exterior mirror	△	△	△	●	○
Door mirrors – black mirror housings with integrated LED indicators and aspherically curved mirror glass	-	●	●	●	●
Door mirrors – body-coloured mirror housings with integrated LED indicators and aspherically curved mirror glass	●	-	-	-	-
Door mirrors – electrically adjustable and heated	●	●	●	●	●
Door mirrors – electrically folding	○	○	○	●	△
Door sills – illuminated, with ‘AMG’ lettering in front	-	-	-	-	●
Door sills – illuminated, with ‘Mercedes-Benz’ lettering in front	●	●	●	●	-
Exhaust system – AMG sports exhaust system with two twin black chrome-plated tailpipes	-	-	-	-	●
Exhaust system – twin-pipe exhaust system with rectangular tailpipes in polished stainless steel	●	●	●	●	-

Item	Sport	AMG Sport	OrangeArt	250 AMG	Mercedes-AMG CLA 45 4MATIC
Glass – heated rear windscreen with timer control	○	●	●	●	●
Glass – privacy glass from B-pillar backwards	●	●	●	●	●
Lights – bi-xenon headlamps with integrated LED daytime running lamps and headlamp wash	○	●	●	●	●
Lights – halogen headlamps with integrated daytime running lamps	●	-	-	-	-
Lights – high-level third brake light, LED	●	●	●	●	●
Lights – LED tail lamps	○	●	●	●	●
Radiator grille – AMG radiator grille with twin louvre	-	-	-	-	●
Radiator grille – diamond grille with pins in chrome and single louvre in high-gloss black with chrome inserts	-	●	●	●	-
Radiator grille – diamond grille with pins in high-gloss black and single silver-painted louvre with chrome inserts	●	-	-	-	-
Tailgate – EASY-PACK automatic powered tailgate (Shooting Brake only)	●	●	●	●	●
Wiper system – windscreen wipers with rain sensor with two sensitivity stages	●	●	●	●	●



Standard equipment

Item	Sport	AMG Sport	OrangeArt	250 AMG	Mercedes-AMG CLA 45 4MATIC
<b>Interior</b>					
Air conditioning – air vents with black surround, red insert and cruciform nozzle	-	-	-	●	●
Air conditioning – air vents with chrome surround and cruciform nozzle	●	●	●	-	-
Air conditioning – THERMOTRONIC luxury automatic climate control, two-zone	●	●	●	●	●
Armrest – front, on centre console with fore/aft adjustment and contrast stitching with stowage compartment beneath	●	●	●	●	●
Cup holder – twin front	●	●	●	●	●
Dashboard – upper section in ARTICO leather <sup>1</sup> with contrast stitching	○	○	●	○	○
Electronic key – chrome surround	●	●	●	●	●
Floor mats – with orange stitched edging and ‘Mercedes-Benz’ lettering	-	-	●	-	-
Floor mats – with red stitched edging and ‘AMG’ lettering	-	●	-	-	●
Floor mats – with red stitched edging and ‘Sport’ lettering	-	-	-	●	-
Gearshift – AMG DRIVE UNIT with leather-trimmed gearshift	-	-	-	-	●
Gearshift – leather-trimmed with silver chrome trim	△	△	-	△	-
Glove compartment – illuminated	●	●	●	●	●
Instrument cluster – AMG instrument cluster with colour display and AMG menu	-	-	-	-	●
Instrument cluster – fluid level warning indicator for fuel, oil, coolant and washer fluid	●	●	●	●	●

Item	Sport	AMG Sport	OrangeArt	250 AMG	Mercedes-AMG CLA 45 4MATIC
Instrument cluster – outside temperature gauge	●	●	●	●	●
Instrument cluster – service indicator ASSYST	●	●	●	●	●
Instrument cluster – trip computer in multi-function display showing current fuel consumption	●	●	●	●	●
Instrument cluster – with 4 analogue dials and needles suspended in six o’clock position	●	●	●	●	●
Interior lighting – 12 colour ambient lighting	○	○	○	●	○
Interior lighting – courtesy (white) and warning (red) lights in front doors and boot lid	●	●	●	●	●
Interior lighting – footwell lights, front and rear	●	●	●	●	●
Interior lighting – lighting in stowage compartment	●	●	●	●	●
Interior lighting – rear with integrated reading lights and locator lighting	●	●	●	●	●
Interior lighting – single-colour ambient lighting in headrests	●	●	●	●	-
Interior lighting – single-colour ambient lighting in interior door handles	●	●	●	●	●
Interior lighting – sun visors with illuminated vanity mirrors for driver and front passenger	●	●	●	●	●
Pedals – brushed stainless steel sports pedals with rubber studs	-	●	●	●	●
Rear view mirror – auto-dimming	△	△	△	●	△



View offers

- > Coupé
- > Shooting Brake



Book a test drive

- > Coupé
- > Shooting Brake
- > AMG



Find a Retailer



View the Range Guide

Standard equipment

37

Item	Sport	AMG Sport	OrangeArt	250 AMG	Mercedes-AMG CLA 45 4MATIC
<b>Interior (continued)</b>					
Seat belts - black with orange highlight edging	-	-	●	-	-
Seat belts - designo seat belts in red	-	-	-	●	●
Seats - AMG Performance seats Driver and front passenger seats featuring more sharply contoured seat shape for enhanced lateral support, integrated head restraints and AMG badge in seat backrests	-	-	-	-	●
Seats - front seats with four-way lumbar support	○	○	●	○	-
Seats - front seats, heated	○	○	●	○	○
Seats - front seats, height adjustable	●	●	●	●	●
Seats - front seats, seat cushion angle adjustment	●	●	●	●	●
Seats - front seats, seat cushion length adjustment	●	●	●	●	-
Seats - rear seat backrests, split-folding (1/3:2/3)	●	●	●	●	●
Seats - sports seats with integrated head restraints	●	●	●	●	-
Stowage - load-securing rings in luggage compartment	●	●	●	●	●
Stowage - luggage compartment cover (Shooting Brake only)	●	●	●	●	●
Windows - electric windows (4)	●	●	●	●	●

Item	Sport	AMG Sport	OrangeArt	250 AMG	Mercedes-AMG CLA 45 4MATIC
<b>Steering</b>					
Steering - AMG speed-sensitive sports steering	-	-	-	●	●
Steering - Sports Direct Steering with speed-sensitive servo assistance and variable steering ratio	●	●	●	-	-
Steering column - manually adjustable for height and reach	●	●	●	●	●
Steering wheel - 3-spoke, 12-button multi-function steering wheel, trimmed in leather with silver chrome trim, perforated grip area and contrast stitching	●	-	-	-	-
Steering wheel - 3-spoke, 12-button multi-function sports steering wheel, trimmed in leather with perforated grip area, flattened bottom section and red contrast stitching	-	●	-	●	●
Steering wheel - 3-spoke, 12-button multi-function sports steering wheel, trimmed in leather with perforated grip area and flattened bottom section	-	-	●	-	-



View offers

- > Coupé
- > Shooting Brake



Book a test drive

- > Coupé
- > Shooting Brake
- > AMG



Find a Retailer



View the Range Guide

Item	Sport	AMG Sport	OrangeArt	250 AMG	Mercedes-AMG CLA 45 4MATIC
<b>Paint, Trim and Upholstery</b>					
Paint – non-metallic	●	●	●	●	●
Roof lining – black	●	●	●	●	●
Trim – dark aluminium with honeycomb grain	-	-	●	-	-
Trim – light aluminium with longitudinal grain	-	●	-	●	●
Trim – wave-look trim in silver or anthracite	●	-	-	-	-
Upholstery – ARTICO leather <sup>1</sup> /Corumba cloth in chequered design	●	-	-	-	-
Upholstery – ARTICO leather <sup>1</sup> /DINAMICA microfibre with contrast stitching	-	●	●	●	●
<b>Communications and In-Car Entertainment</b>					
Audio 20 radio/single CD – 6 speakers, telephone keypad, twin radio tuner (FM/AM), CD player (MP3/WMA/AAC/WAV compatible), Bluetooth® interface, 2 USB ports, SD card slot and pre-installation for Garmin® MAP PILOT	●	●	●	●	●
DAB digital radio tuner	○	○	○	○	●
Garmin® MAP PILOT navigation system	○	○	○	●	○
Media display – 7-inch tablet-style CENTRAL MEDIA DISPLAY	●	●	●	●	●

● Standard   ○ Optional   - Not available   <sup>1</sup>Man-made leather

Item	Sport	AMG Sport	OrangeArt	250 AMG	Mercedes-AMG CLA 45 4MATIC
<b>Media Interface</b>					
Media Interface Allows connection and control of portable media devices (e.g. MP3 player, USB storage media) via ports in the centre console (input only)	●	●	●	●	●
Mercedes connect me (standard services) Including emergency call system (eCall), accident recovery, breakdown and maintenance management	●	●	●	●	●
<b>Safety and Assistance Systems</b>					
Active bonnet – pedestrian safety measure which detects an impact and raises bonnet by 65 mm	●	●	●	●	●
Airbags – automatic front passenger airbag deactivation	●	●	●	●	●
Airbags – dual-stage, for driver and front passenger	●	●	●	●	●
Airbags – kneebag for driver	●	●	●	●	●
Airbags – sidebags for driver and front passenger (combined thorax/pelvis bag)	●	●	●	●	●
Airbags – windowbags, driver and front passenger	●	●	●	●	●
Alarm system with immobiliser and interior protection	●	●	●	●	●



View offers

- > Coupé
- > Shooting Brake



Book a test drive

- > Coupé
- > Shooting Brake
- > AMG



Find a Retailer



View the Range Guide

Standard equipment

39

Item	Sport	AMG Sport	OrangeArt	250 AMG	Mercedes-AMG CLA 45 4MATIC
<b>Safety and Assistance Systems (continued)</b>					
ATTENTION ASSIST – alerts the driver to increasing fatigue and inattention	●	●	●	●	●
Braking – adaptive Brake Assist with HOLD function and Hill Start Assist	●	●	●	●	●
Braking – adaptive brake lights (flash under emergency braking)	●	●	●	●	●
Braking – AMG high-performance braking system with 3-stage ESP®	-	-	-	-	●
Braking – anti-lock braking system (ABS) with Brake Assist (BAS)	●	●	●	●	●
Braking – brake pad wear warning indicator	●	●	●	●	●
Braking – electric parking brake	●	●	●	●	●
COLLISION PREVENTION ASSIST PLUS	●	●	●	●	●
Crash-responsive emergency lighting	●	●	●	●	●
Electronic Stability Programme (ESP®) with Acceleration Skid Control (ASR)	●	●	●	●	●
ESP® Curve Dynamic Assist	●	●	●	●	-
ESP® Curve Dynamic Assist – AMG tuned	-	-	-	-	●
First-aid kit and warning triangle	●	●	●	●	●
Headlamp Assist – automatic headlamp activation	●	●	●	●	●

Item	Sport	AMG Sport	OrangeArt	250 AMG	Mercedes-AMG CLA 45 4MATIC
Lamp failure indicator	●	●	●	●	●
Lights – Headlamp Assist automatic headlamp activation in dark conditions	●	●	●	●	●
Locking – childproof locks, manually operated for rear doors and electrically operated for rear power windows	●	●	●	●	●
Locking – remote central locking and crash sensor with emergency opening function	●	●	●	●	●
Rear fog lamp	●	●	●	●	●
Seats – automatic child seat recognition sensor	●	●	●	●	●
Seats – ISOFIX and top-tether child seat fixing points in rear (two outer seats)	●	●	●	●	●
Seat belts – seat belt reminder, front and rear	●	●	●	●	●
Seat belts – rear, three-point (3)	●	●	●	●	●
Seats – seat occupancy sensor, front passenger seat	●	●	●	●	●
Tyres – TIREFIT with tyre inflation compressor	●	●	●	●	●
Tyres – tyre pressure monitoring system	●	●	●	●	●





View offers

- > Coupé
- > Shooting Brake



Book a test drive

- > Coupé
- > Shooting Brake
- > AMG



Find a Retailer







View the Range Guide

40

Wheels

# A revolution in style

Item	Notes							Basic RRP excl. VAT (£)	Total RRP incl. VAT (£)
18" alloy wheels (4) – 5-twin-spoke design, painted in himalaya grey 225/40 tyres			66R	●	-	-	-	-	-
18" alloy wheels (4) – 5-twin-spoke design, with high-sheen finish 225/40 tyres			R31	○	-	-	-	50.00	60.00
18" AMG alloy wheels (4) – 5-twin-spoke design, with bi-colour finish 225/40 tyres			781	-	●	-	-	-	-
18" AMG alloy wheels (4) – multi-spoke design, painted in high-gloss black with high-sheen rim 225/40 tyres			646	-	○	-	-	300.00	360.00

Sport  
 AMG Sport  
 OrangeArt  
 250 AMG  
 Mercedes-AMG CLA 45 4MATIC

● Standard ○ Optional - Not available



View offers

- > Coupé
- > Shooting Brake



Book a test drive

- > Coupé
- > Shooting Brake
- > AMG





> Find a Retailer



> View the Range Guide

Wheels

41

Item	Notes		Sport	AMG Sport	OrangeArt	250 AMG	Mercedes-AMG CLA 45 4MATIC	Basic RRP excl. VAT (£)	Total RRP incl. VAT (£)
<b>Wheels (continued)</b>									
18" AMG alloy wheels (4) – multi-spoke design, painted in black with orange painted rim 225/40 tyres			633	-	-	●	-	-	-
18" AMG alloy wheels (4) – 5-spoke design 235/40 tyres			774	-	-	-	●	-	-
19" AMG alloy wheels (4) – multi-spoke design, painted in black with high-sheen finish 235/35 tyres			693	-	-	-	○	495.83	595.00
19" AMG alloy wheels (4) – multi-spoke design, painted in titanium grey with high-sheen finish 235/35 tyres			780	-	-	-	●	-	-



View offers

- > Coupé
- > Shooting Brake



Book a test drive

- > Coupé
- > Shooting Brake
- > AMG



Find a Retailer



View the Range Guide

42

Wheels

Item	Notes		Sport	AMG Sport	OrangeArt	250 AMG	Mercedes-AMG CLA 45 4MATIC	Basic RRP excl. VAT (£)	Total RRP incl. VAT (£)
<b>Wheels (continued)</b>									
18" AMG alloy wheels (4) - 5-twin-spoke design 235/40 tyres			649	-	-	-	-		no-cost option
19" AMG alloy wheels (4) - multi-spoke design, painted in matt black with high-sheen rim 235/35 tyres			787	-	-	-	-	300.00	360.00

● Standard ○ Optional - Not available



View offers

- > Coupé
- > Shooting Brake



Book a test drive

- > Coupé
- > Shooting Brake
- > AMG



Find a Retailer



View the Range Guide

# Steering wheels



**Sport**  
(standard)  
3-spoke multi-function sports steering wheel, trimmed in leather with perforated leather in grip area with black stitching



**OrangeArt**  
(standard)  
3-spoke multi-function sports steering wheel, trimmed in leather with perforated leather in grip area and flattened bottom section



**AMG Sport, CLA 250 AMG and CLA 45 4MATIC** (standard)  
3-spoke multi-function sports steering wheel, trimmed in leather with perforated leather in grip area with red contrast stitching and flattened bottom section



**CLA 45 4MATIC**  
(additional-cost option)  
AMG performance steering wheel in nappa leather/DINAMICA microfibre (code 281)



View offers

- > Coupé
- > Shooting Brake



Book a test drive

- > Coupé
- > Shooting Brake
- > AMG



Find a Retailer



View the Range Guide

# Exclusive package



Exclusive package: crystal grey leather upholstery

The Exclusive package fills the interior of the CLA Sport model with even more luxurious touches. It includes heated front seats with four-way lumbar support, and a choice of lava black, hazelnut brown or crystal grey leather upholstery. Leather trim is featured on the gear lever, complemented by interior door panels in ARTICO leather<sup>1</sup> and floor mats with edging in the appointments colour. There is also enhanced functionality, providing convenient closing for the side windows using the car key.

**Exclusive package** (code P34) – designed and priced as a package, including items as listed below.

### Sport

**Total incl. VAT £1,970.00**

#### Exclusive package comprises:

Floor mats with edging in the appointments colour

Heated front seats with four-way lumbar support

Roof lining – black<sup>2</sup>

Upper dash trim – ARTICO leather<sup>1</sup> with contrast stitching

#### Exclusive package trim and upholstery

Lava black

Hazelnut brown

Crystal grey



Trapezoid-cut aluminium



Optional Mirror package, Memory package and panoramic glass sunroof shown <sup>1</sup>Man-made leather <sup>2</sup>Grey roof lining is a no-cost option in conjunction with crystal grey (code 808) or lava black (code 801) leather upholstery only





View offers

- > Coupé
- > Shooting Brake



Book a test drive

- > Coupé
- > Shooting Brake
- > AMG



Find a Retailer



View the Range Guide

# AMG Exclusive package



The optional AMG Exclusive package creates an atmosphere of exceptional style for the AMG Sport, 250 AMG and Mercedes-AMG CLA 45 4MATIC. It includes heated front seats with four-way lumbar support<sup>1</sup> and seats in lava black leather upholstery with red perforations and stitching. ARTICO leather<sup>1,2</sup> trim with contrast stitching is featured on the upper dashboard, while light aluminium trim can be found on the lower dash.

**AMG Exclusive package** (code P39) – designed and priced as a package, including items as listed below.


**AMG Sport, 250 AMG and CLA 45 4MATIC**

**Total incl. VAT £1,640.00**

**AMG Exclusive package comprises:**

- Four-way lumbar support (not available on Mercedes-AMG CLA 45 4MATIC)
- Heated front seats
- Roof lining – black
- Seat belt guide optics in silver chrome-look trim (only available on Mercedes-AMG CLA 45 4MATIC)
- Upper dash trim – ARTICO leather<sup>2</sup> with contrast stitching

**Exclusive package trim and upholstery**

Lava black with red perforations	Light aluminium, longitudinal grain
	

AMG Exclusive package: lava black leather upholstery with red perforations and stitching

Optional Lane Tracking package, Memory package, Mirror package and COMAND Online system shown <sup>1</sup>Not available on Mercedes-AMG CLA 45 4MATIC <sup>2</sup>Man-made leather



# Optional equipment

Item	Notes						Basic RRP excl. VAT (£)	Total RRP incl. VAT (£)
		Sport	AMG Sport	OrangeArt	250 AMG	Mercedes-AMG CLA 45 4MATIC		
<b>Option packages</b>								
AMG Driver's package This option includes an increase to your vehicle's electronically limited top speed (168 mph) and participation in one of the AMG BASIC-Training 'Power and Passion' events. The event is run by the AMG Driving Academy and held at a racetrack located in mainland Europe.	For further information on this or any other AMG Driving Academy training, please speak to your retailer or visit <a href="http://www.mercedes-amg.com/driving-academy">www.mercedes-amg.com/driving-academy</a>	250	-	-	-	-	1,616.67	1,940.00
AMG DYNAMIC PLUS package AMG front axle differential lock AMG performance steering wheel AMG RIDE CONTROL sports suspension with Selective Damping		P71	-	-	-	-	1,662.50	1,995.00
AMG Exterior Carbon Fibre Trim package Front splitter Rear apron trim Side sill inserts		773	-	-	-	-	2,125.00	2,550.00
Lane Tracking package Blind Spot Assist Lane Keeping Assist		22P	○	○	○	○	641.67	770.00
Load Compartment package 12V socket in the rear Aluminium load compartment rails Folding stowage box under load compartment floor Lockable load compartment floor Net pocket in load compartment Rear seat backrests adjustable into cargo position (15° steeper)	Only available on Shooting Brake	942	○	○	○	○	454.17	545.00



Item	Notes						Basic RRP excl. VAT (£)	Total RRP incl. VAT (£)	
		Sport	AMG Sport	OrangeArt	250 AMG	Mercedes-AMG CLA 45 4MATIC			
<b>Option packages (continued)</b>									
Memory package Electrically adjustable driver and front passenger seats with four-way lumbar support Exterior passenger mirror – pivots down when reverse is selected Memory programme with three individually selectable settings	In conjunction with Exclusive package (code P34) or AMG Exclusive package (code P39)	275	○	○	-	○	-	658.33	790.00
			-	-	○	-	-	525.00	630.00
			-	-	-	-	○	866.67	1,040.00
			○	○	-	○	-	525.00	630.00
Mirror package Automatically dimming interior and exterior mirrors Electrically folding exterior mirrors		P49	○	○	○	●	○	258.33	310.00
Stowage package Parcel net in front passenger footwell Parcel nets on driver and front passenger seat backrests Stowage boxes under front seats Sunglasses compartment in overhead control panel		30P	○	○	○	○	-	141.67	170.00
<b>Suspension and Exterior</b>									
AMG carbon fibre exterior mirror housings		B28	-	-	-	-	○	1,025.00	1,230.00
AMG interior carbon fibre trim		H73	-	-	-	-	○	766.67	920.00
AMG Performance exhaust system		U21	-	-	-	-	○	383.33	460.00
AMG performance steering wheel in nappa leather/DINAMICA microfibre Includes silver gearshift paddles, E-SELECT gearshift lever with embossed AMG emblem and main key with AMG emblem	Included in AMG DYNAMIC PLUS package (code P71)	281	-	-	-	-	○	475.00	570.00



View offers

- > Coupé
- > Shooting Brake



Book a test drive

- > Coupé
- > Shooting Brake
- > AMG



> Find a Retailer



> View the Range Guide

Item	Notes		Sport	AMG Sport	OrangeArt	250 AMG	Mercedes-AMG CLA 45 4MATIC	Basic RRP excl. VAT (£)	Total RRP incl. VAT (£)
<b>Suspension and Exterior (continued)</b>									
AMG Performance suspension		492	-	-	-	-	○	637.50	765.00
AMG RIDE CONTROL sports suspension with Selective Damping Provides the option to adjust suspension settings between 'Comfort' and 'Sport' using the DYNAMIC SELECT switch. Additional 'Race' transmission mode designed for maximum driving dynamics	Included in AMG DYNAMIC PLUS package (code P71)	459	-	-	-	-	○	495.83	595.00
Brake calipers - painted red		U70	-	-	-	-	○	275.00	330.00
Driving modes - DYNAMIC SELECT with a choice of ECO, Comfort, Sport and Individual	Standard in conjunction with automatic transmission	B59	○	●	●	●	●	66.67	80.00
Front fog lamps	Not in conjunction with Intelligent Light System (code 621)	U37	○	-	-	-	-	158.33	190.00
Headlamps - Intelligent Light System Bi-xenon headlamps with LED daytime running lamps, Adaptive Highbeam Assist, cornering light function, headlamp wash and LED tail lamps		621	○	-	-	-	-	1,191.67	1,430.00
			-	○	○	○	○	475.00	570.00
KEYLESS-GO - keyless locking, unlocking and start of the vehicle		889	○	○	○	○	○	354.17	425.00
Omission of model designation on boot lid		260	○	○	○	○	○	<b>no-cost option</b>	
Reversing camera with parking guidelines, 180° view		218	○	○	○	○	○	250.00	300.00
Selective Damping Provides the option to adjust suspension settings between 'Comfort' and 'Sport' using the DYNAMIC SELECT switch		459	-	○	○	○	-	495.83	595.00
Trailer coupling		550	○	-	-	-	-	675.00	810.00



View offers

- > Coupé
- > Shooting Brake



Book a test drive

- > Coupé
- > Shooting Brake
- > AMG



> Find a Retailer



> View the Range Guide

Optional equipment

49

Item	Notes						Basic RRP excl. VAT (£)	Total RRP incl. VAT (£)	
		Sport	AMG Sport	OrangeArt	250 AMG	Mercedes-AMG CLA 45 4MATIC			
<b>Paint, Trim and Upholstery</b>									
designo seat belts in red		Y05	○	○	-	●	●	258.33	310.00
Metallic paint		-	○	○	○	○	○	550.00	660.00
Roof lining - grey	Not in conjunction with black ARTICO leather <sup>1</sup> /Corumba cloth with orange chequered design (code 363)	58U	○	-	-	-	-	<b>no-cost option</b>	
<b>Comfort</b>									
Ambient lighting - 12-colour		877	○	○	○	●	○	104.17	125.00
Four-way lumbar support	Included in Exclusive package (code P34) and AMG Exclusive package (code P39)	U22	○	○	●	○	-	133.33	160.00
Heated front seats	Included in Exclusive package (code P34) and AMG Exclusive package (code P39)	873	○	○	●	●	○	250.00	300.00
Heated windscreen wash system		875	○	○	○	○	○	100.00	120.00
Panoramic sliding sunroof	Black roof lining as standard	413	○	○	○	○	○	800.00	960.00
Privacy glass		840	○	●	●	●	●	191.67	230.00
Rear armrest with twin cup holder and through-loading facility		400	○	○	○	○	○	141.67	170.00
Rear dividing net - restricts movement of items from luggage compartment to passenger compartment	Only available on Shooting Brake in conjunction with Load Compartment package (code 942)	U40	○	○	○	○	○	120.83	145.00





Item	Notes						Basic RRP excl. VAT (£)	Total RRP incl. VAT (£)
		Sport	AMG Sport	OrangeArt	250 AMG	Mercedes-AMG CLA 45 4MATIC		
<b>Safety and Assistance Systems</b>								
Airbags – sidebags in rear		293	○	○	○	○	325.00	390.00
DISTRONIC PLUS	Only in conjunction with 7G-DCT 7-speed automatic transmission	239	○	○	○	○	733.33	880.00
PRE-SAFE® anticipatory safety system		299	○	○	○	○	283.33	340.00
<b>Communications and In-Car Entertainment</b>								
8-inch colour display	Standard with COMAND Online system (code 531)	857	○	○	○	○	166.67	200.00
COMAND Online system <sup>1</sup> Includes radio, smartphone integration, single CD/DVD, 8-inch colour display, map navigation system with 3D map display, Live Traffic Information and European map data updates free of charge for the first three years, and LINGUATRONIC voice control. Mercedes connect me with standard and Remote Online services. Access to internet sites when vehicle is stationary, plus unrestricted use of Mercedes-Benz apps (internet-enabled mobile phone required) and in-car internet access for Facebook, internet radio, sending routes from Google Maps™ to the vehicle, news and weather reports. Also includes SD memory card slot	COMAND Online services are only available once a mobile phone is connected to the car via Bluetooth®. Please see <a href="http://www.mercedes-benz-mobile.com">www.mercedes-benz-mobile.com</a> for a list of compatible phones and functionality. Before attempting to connect to COMAND Online we would advise that you contact your mobile phone service provider to confirm your mobile phone profile and data charges for tethered internet access.	531	○	○	○	○	1,558.33	1,870.00
DAB digital radio tuner		537	○	○	○	●	350.00	420.00
Garmin® MAP PILOT navigation system	Not available with COMAND Online system (code 531)	357	○	○	○	●	412.50	495.00



View offers

- > Coupé
- > Shooting Brake



Book a test drive

- > Coupé
- > Shooting Brake
- > AMG



> Find a Retailer



> View the Range Guide

Optional equipment

51

Item	Notes		Sport	AMG Sport	OrangeArt	250 AMG	Mercedes-AMG CLA 45 4MATIC	Basic RRP excl. VAT (£)	Total RRP incl. VAT (£)
<b>Communications and In-Car Entertainment (continued)</b>									
Mercedes connect me (Remote Online) Onboard use of the remote and location services, e.g. geographic vehicle monitoring, vehicle location, remote door locking and unlocking, remote interrogation of the vehicle status. Remote Online subscription services are limited to three years from the initial registration, and can be extended at an additional cost	Standard with COMAND Online system (code 531)	05U	○	○	○	○	○	125.00	150.00
Smartphone integration Comprising Apple CarPlay™. Compatible iPhones (iPhone 5 and newer) can be integrated into the vehicle via Apple CarPlay™. Please check on <a href="http://www.apple.com/uk/ios/carplay/">www.apple.com/uk/ios/carplay/</a> for compatibility and approved apps. Certain features and apps require a 3G or 4G data connection. Control of features available through voice control and controller on centre console	Included with COMAND Online system (code 531)	14U	○	○	○	○	○	208.33	250.00
Surround sound system – Harman Kardon® Logic 7® with Dolby Digital 5.1 and DTS 11 high-performance speakers and additional amplifiers		810	○	○	○	○	○	566.67	680.00
<b>Service Package</b>									
Service Care Service Care allows you to spread the cost of servicing your new car in the Mercedes-Benz Retailer network. Taking out a Service Care plan ensures your servicing needs are taken care of by fully trained Mercedes-Benz Technicians with the added benefit of a Mercedes-Benz service history	Price is based on a monthly rate. Example given is for two services taken over 24 months, three services over 36 months or four services over 48 months. Further payment options are available. New Service Care prices apply only to vehicles up to 12 months old prior to first service	1	○	○	○	○	–	20.00	24.00
			–	–	–	–	○	30.00	36.00



## Genuine Accessories

We've developed a range of Accessories you can add to help personalise and enhance your CLA. Your local Mercedes-Benz Retailer can advise on fitting costs of Accessories, where applicable. Further information on our selection of Genuine Accessories can be found on the Mercedes-Benz UK website.



### 01 | Shallow boot tub

The boot tub is suitable for transporting shopping. The tub shape with its slightly raised edge is precision-tailored to the load area. Made from impact-resistant, non-split polypropylene, its structured surface holds the separately available stowage crate in place. Deep boot tub also available.

Basic RRP £72.50 (excl. VAT) **Total RRP £87.00 (incl. VAT)**

### 02 | Stowage crate

A secure hold for items which are prone to tip over or slide around, e.g. shopping bags. Adjustable partitioning elements allow crate to be divided into max. four sections. Optimum functionality only in conjunction with shallow boot tub.

Basic RRP £71.67 (excl. VAT) **Total RRP £86.00 (incl. VAT)**



View offers

- > Coupé
- > Shooting Brake



Book a test drive

- > Coupé
- > Shooting Brake
- > AMG



> Find a Retailer



> View the Range Guide



**03 | All-season floor mats**

Robust, washable synthetic material, designed for heavy use. Latest design with recessed areas and raised edge. With distinctive Mercedes-Benz star logo. Price for front and rear mats.

Basic RRP £73.34 (excl. VAT) **Total RRP £88.00 (incl. VAT)**

**04 | DUO Plus child seat, with ISOFIX and automatic child seat recognition**

Optimum safety for children between the ages of around 8 months and 4 years (9 to 18 kg). Fitted as standard with top tether, an additional belt for securing the head section, a height-adjustable harness, ventilation channels and ISOFIX attachment points. With automatic child seat recognition. Adjustable tilt. Also available for ages 0+ (1 to 13 kg) and 3.5 to 12 years (15 to 36 kg).

Basic RRP £280.95 (excl. VAT) **Total RRP £295.00 (incl. VAT)**

**05 | Concertina load sill protector**

Protects the rear of the car from scratches when you're loading the vehicle and prevents dirt on the car from getting onto your clothes. Practical design – can be connected to shallow boot tub.

Basic RRP £33.33 (excl. VAT) **Total RRP £40.00 (incl. VAT)**



View offers

- > Coupé
- > Shooting Brake



Book a test drive

- > Coupé
- > Shooting Brake
- > AMG

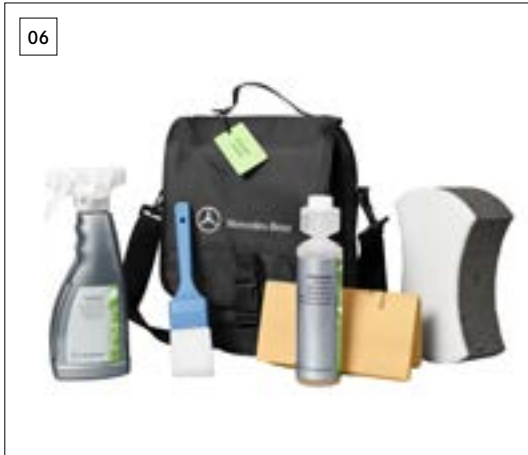


Find a Retailer



View the Range Guide

06

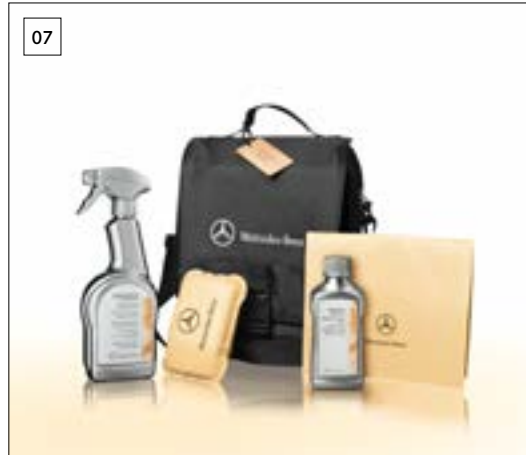


### 06 | Exterior Car Care Kit

The Mercedes-Benz Exterior Car Care Kit is a four-piece collection to keep the exterior of your car looking like it's come straight from the showroom. The bag contains car shampoo, wheel cleaner, sponge and polishing cloth.

Basic RRP £20.83 (excl. VAT) **Total RRP £25.00 (incl. VAT)**

07



### 07 | Interior Car Care Kit

The Mercedes-Benz Interior Car Care Kit is a four-piece collection enabling you to maintain a spotless showroom finish inside your car. The bag contains cabin care spray, interior glass cleaner, interior glass sponge and car cloth.

Basic RRP £20.83 (excl. VAT) **Total RRP £25.00 (incl. VAT)**

08



### 08 | Alustyle Quickfix carrier bars

Aluminium carrier bars, precision-tailored to the body of your Mercedes-Benz – the perfect basis for a range of Mercedes-Benz transport solutions: ski and snowboard rack, bicycle rack or roof boxes.

Basic RRP £182.50 (excl. VAT) **Total RRP £219.00 (incl. VAT)**



View offers

- > Coupé
- > Shooting Brake



Book a test drive

- > Coupé
- > Shooting Brake
- > AMG



Find a Retailer



View the Range Guide

Genuine Accessories

55

09



### 09 | Winter wheels and tyres

16" alloy wheels (4) – 10-spoke design.

Basic RRP 950.00 (excl. VAT) **Total RRP £1,140.00 (incl. VAT)**

10



### 10 | Winter wheels and tyres

17" alloy wheels (4) – 10-spoke design. Includes Tyre Pressure Monitor.

Basic RRP £1,289.16 (excl. VAT) **Total RRP £1,547.00 (incl. VAT)**

11



### 11 | Mercedes-Benz roof box, 400 litres

Multi-purpose box. Compact length, impressive amount of space. Capacity approx. 400 litres. Opens on both sides. Single lock system. Gas-filled struts for easy opening and closing of lid. Maximum load capacity 75kg. Available in matt silver or metallic black.

Basic RRP £341.67 (excl. VAT) **Total RRP £410.00 (incl. VAT)**





View offers

- > Coupé
- > Shooting Brake



Book a test drive

- > Coupé
- > Shooting Brake
- > AMG



Find a Retailer



View the Range Guide

# Colours and materials

## Non-metallic paints

Standard



589 jupiter red<sup>1</sup>

650 cirrus white

## Metallic paints

Optional



191 cosmos black

761 polar silver

990 orient bronze<sup>1</sup>



592 northern lights violet<sup>1</sup>

787 mountain grey

<sup>1</sup>Not available on OrangeArt model line

Please note that, owing to limitations of the printing process, paint colours may differ from those shown



View offers

- > Coupé
- > Shooting Brake



Book a test drive

- > Coupé
- > Shooting Brake
- > AMG



Find a Retailer



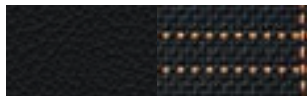
View the Range Guide

**Sport upholstery**

ARTICO leather<sup>1</sup>/Corumba chequered-design cloth



361 black with grey



363 black with orange<sup>2</sup>



368 grey with black<sup>2</sup>

**Sport trim**



H50 silver wave-look



H51 anthracite wave-look<sup>2</sup>

**AMG Sport, 250 AMG and CLA 45 4MATIC upholstery**

ARTICO leather<sup>1</sup>/DINAMICA microfibre

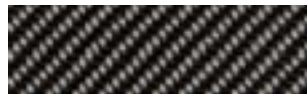


651 black with red contrast stitching

**AMG Sport, 250 AMG and CLA 45 4MATIC trim**



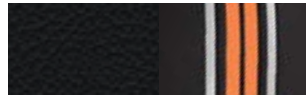
H79 light aluminium, longitudinal grain



H73 AMG interior carbon fibre<sup>3,4</sup>

**OrangeArt upholstery**

ARTICO leather<sup>1</sup>/DINAMICA microfibre



761 black with orange and grey stripes and orange contrast stitching

**OrangeArt trim**



H72 dark aluminium, honeycomb grain

**Exclusive package upholstery<sup>3</sup> (Sport)**

Leather



801 lava black



804 hazelnut brown



808 crystal grey

**Exclusive package trim**



739 trapezoid-cut aluminium

**AMG Exclusive package upholstery<sup>3</sup> (AMG Sport, 250 AMG and CLA 45 4MATIC)**

Leather

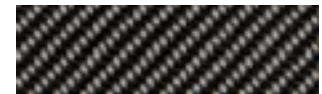


811 lava black with red perforations

**AMG Exclusive package trim**



H79 light aluminium, longitudinal grain



H73 AMG interior carbon fibre<sup>3,4</sup>

<sup>1</sup>Man-made leather <sup>2</sup>No-cost option <sup>3</sup>Additional-cost option <sup>4</sup>Only available on CLA 45 4MATIC



View offers

- > Coupé
- > Shooting Brake



Book a test drive

- > Coupé
- > Shooting Brake
- > AMG



Find a Retailer



View the Range Guide

# Trim and upholstery combinations

	Sport			AMG Sport, 250 AMG and CLA 45 4MATIC	OrangeArt
	ARTICO leather <sup>1</sup> /Corumba chequered-design cloth			ARTICO leather <sup>1</sup> /DINAMICA microfibre	ARTICO leather <sup>1</sup> /DINAMICA microfibre
	black with grey (361)	black with orange (363)	grey with black (368)	black (651)	black with orange and grey stripes (761)
<b>Dashboard</b>					
Steering wheel	black	black	black	black	black
Upper dashboard trim	black	black	black	black	black
Lower dashboard trim	black	black	grey	black	black
<b>Seats</b>					
Seat cushion centre section	black with grey	black with orange	grey with black	black with red contrast stitching	black with orange and grey stripes and orange contrast stitching
Side bolster trim	black	black	grey	black	black
Head restraint	black	black	grey	black	black
Seat belt	black	black	black	black	black
<b>Doors</b>					
Lower door trim	black	black	grey	black	black
Door pocket	black	black	grey	black	black
<b>Roof lining</b>	black/grey	black	black/grey	black	black
<b>Floor covering</b>					
Front and rear	black	black	black	black	black
Boot	black	black	black	black	black

<sup>1</sup>Man-made leather



View offers

- > Coupé
- > Shooting Brake



Book a test drive

- > Coupé
- > Shooting Brake
- > AMG



Find a Retailer



View the Range Guide

# Combination options

		ARTICO leather <sup>1</sup> /chequered-design cloth Sport	black with grey grey with black black with orange	ARTICO leather <sup>1</sup> /DINAMICA microfibre AMG Sport, 250 AMG and CLA 45 4MATIC	black	ARTICO leather <sup>1</sup> /DINAMICA microfibre OrangeArt	black with orange and grey stripes and orange contrast stitching	Exclusive package Sport	lava black hazelnut brown crystal grey	AMG Exclusive package AMG Sport, 250 AMG and CLA 45 4MATIC	black leather with red perforations
<b>Non-metallic paints (standard)</b>											
	589 jupiter red	●	○ ○	●	-	-	-	●	△ ○	●	●
	650 cirrus white	●	○ ○	●	●	●	●	●	○ △	●	●
<b>Metallic paints (optional)</b>											
	191 cosmos black	●	● ●	●	●	●	●	●	○ ○	●	●
	592 northern lights violet	●	● △	●	-	-	-	●	○ ●	○	○
	761 polar silver	●	● ●	●	●	●	●	●	○ ●	●	●
	787 mountain grey	●	● ●	●	●	●	●	●	● ●	●	●
	990 orient bronze	●	● △	●	-	-	-	●	△ ●	○	○

● Recommended ○ Possible △ Not recommended - Not available <sup>1</sup>Man-made leather Please note that, owing to limitations of the printing process, paint colours may differ from those shown



View offers

- > Coupé
- > Shooting Brake



Book a test drive

- > Coupé
- > Shooting Brake
- > AMG



Find a Retailer



View the Range Guide

60

## Technical data – Coupé

Model	Diesel engines			Petrol engines							
	CLA 200 d	CLA 220 d	CLA 220 d 4MATIC	CLA 180	CLA 250 AMG	CLA 250 AMG 4MATIC	CLA 45 4MATIC				
<b>Engine</b>											
Total displacement	cc	2,143	2,143	2,143	1,595	1,991	1,991	1,991			
Arrangement/cylinders/valves		in-line/4/16	in-line/4/16	in-line/4/16	in-line/4/16	in-line/4/16	in-line/4/16	in-line/4/16			
Power <sup>1</sup>	hp (kW) at rpm	136 (100)/ 3,200–4,000	177 (130)/ 3,600–3,800	177 (130)/ 3,600–3,800	122 (90)/5,000	218 (160)/5,500	218 (160)/5,500	381 (280)/6,000			
Torque <sup>1</sup>	Nm at rpm	300/1,400–3,000	350/1,400–3,400	350/1,400–3,400	200/1,250–4,000	350/1,200–4,000	350/1,200–4,000	475/2,250–5,000			
<b>Transmission</b>											
6-speed manual		●	–	–	●	●	–	–			
7G-DCT 7-speed automatic		○	●	●	○	○	●	–			
AMG SPEEDSHIFT DCT 7-speed sports transmission		–	–	–	–	–	–	●			
<b>Weights and capacities</b>											
		man.	auto.	auto.	auto.	man.	auto.	man.	auto.	auto.	auto.
Kerb weight	kg	1,500	1,525	1,525	1,580	1,395	1,430	1,460	1,490	1,490	1,585
Perm. Gross Vehicle Weight	kg	2,005	2,005	2,005	2,060	1,920	1,920	1,965	1,965	1,965	2,075

● Standard ○ Optional – Not available



View offers  
 > Coupé  
 > Shooting Brake



Book a test drive

> Coupé  
 > Shooting Brake  
 > AMG



> Find a Retailer



> View the Range Guide

Model	Diesel engines				Petrol engines						
	CLA 200 d	CLA 220 d	CLA 220 d 4MATIC	CLA 180	CLA 250 AMG	CLA 250 AMG 4MATIC	CLA 45 4MATIC				
<b>Weights and capacities (continued)</b>	man.	auto.	auto.	auto.	man.	auto.	man.	auto.	auto.	auto.	
Boot capacity	l	470	470	470	470	470	470	470	470	470	470
Towing capacity - unbraked braked	kg	750 1,500	750 1,500	750 1,500	750 1,500	695 1,200	715 1,200	-	-	-	-
Fuel tank capacity/ of which reserve	l	50/6	50/6	50/6	56/6	50/6	50/6	56/6	56/6	56/6	56/8
Turning circle	m	11.00	11.00	11.00	11.00	11.00	11.00	11.00	11.00	11.00	11.04
<b>Performance</b>		man.	auto.	auto.	auto.	man.	auto.	man.	auto.	auto.	auto.
Acceleration 0-62 mph	sec	9.5	9.0	7.7	7.7	9.0	8.7	6.5	6.4	6.4	4.2
Top speed	mph	137	137	144	143	130	130	155 <sup>2</sup>	155 <sup>2</sup>	155 <sup>2</sup>	155 <sup>2</sup>
<b>Fuel consumption<sup>4,5</sup></b>	mpg	man.	auto.	auto.	auto.	man.	auto.	man.	auto.	auto.	auto.
Urban		52.3	57.7	55.4	49.6	37.2	40.4	31.7	35.3	32.8	29.4
Extra-urban <sup>6</sup>		80.7	78.5	78.5	67.3	64.2	64.2	52.3	57.7	48.7	47.1
Combined		67.3	70.6	67.3	58.9	51.4	53.3	42.2	46.3	42.2	38.7





Model	Diesel engines				Petrol engines						
	CLA 200 d	CLA 220 d	CLA 220 d 4MATIC	CLA 180	CLA 250 AMG	CLA 250 AMG 4MATIC	CLA 45 4MATIC				
<b>CO<sub>2</sub> emissions<sup>4</sup></b>	g/km										
	man.	auto.	auto.	auto.	man.	auto.	man.	auto.	auto.	auto.	
Emissions standard	EU6	EU6	EU6	EU6	EU6	EU6	EU6	EU6	EU6	EU6	EU6
18" alloy wheels (225/40 tyres)	109	105	109	123	128	122	-	-	-	-	-
18" alloy wheels (235/40 tyres)	-	-	-	-	-	-	156	141	158	162	
19" alloy wheels (235/35 tyres)	-	-	-	-	-	-	156	141	158	171	

**Insurance**

Group rating	27 <sup>6</sup> /29 <sup>7</sup>	27 <sup>6</sup> /29 <sup>7</sup>	27 <sup>7</sup> /28 <sup>7</sup>	29 <sup>7</sup> /30 <sup>7,8</sup>	23	23	23	23	33	45
--------------	----------------------------------	----------------------------------	----------------------------------	------------------------------------	----	----	----	----	----	----

Insurance ratings may vary depending on model line and specification. Please refer to <http://www.thatcham.org/abigrouprating/> for further details

<sup>1</sup>Figures according to Directive 80/1269/EEC in the currently applicable version <sup>2</sup>Electronically limited <sup>3</sup>All figures are based on a standard specification with the smallest tyre size

<sup>4</sup>The choice of wheels and transmission may affect CO<sub>2</sub> emissions and corresponding Road Fund Licence <sup>5</sup>EUDC: extra-urban driving cycle. Testing procedures adhere to EU Directive 93/116 <sup>6</sup>Sport <sup>7</sup>AMG Sport <sup>8</sup>OrangeArt

The figures on pages 60–63 are correct at time of going to print. Please refer to the government website for latest data – <http://carfueldata.direct.gov.uk/>

All measurements in millimetres. The dimensions shown are mean values and apply to standard-specification, unladen vehicles



View offers  
 > Coupé  
 > Shooting Brake



Book a test drive

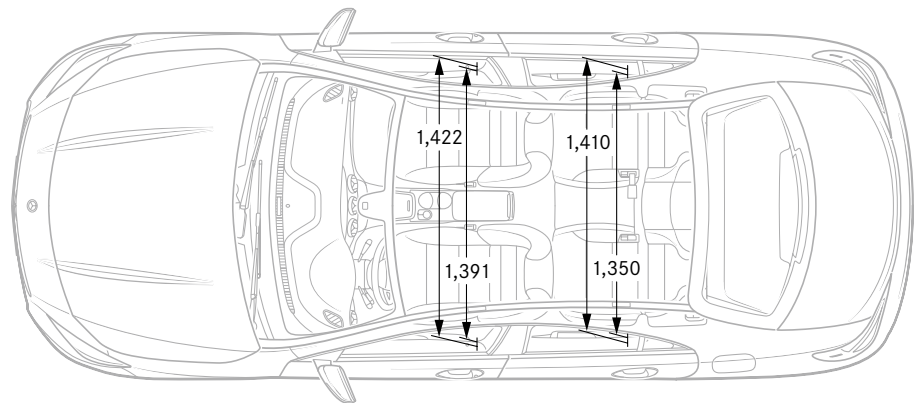
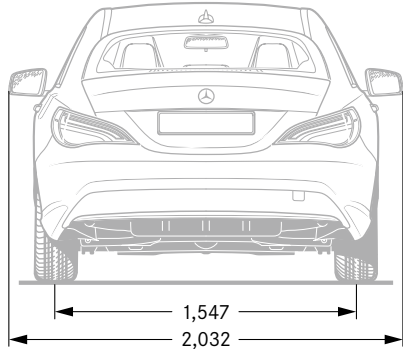
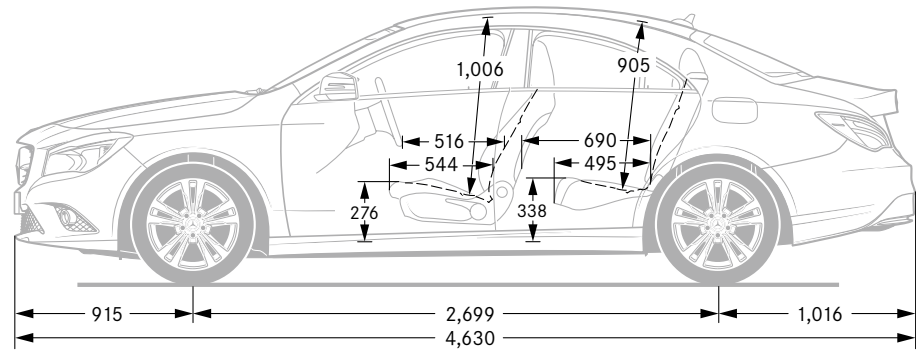
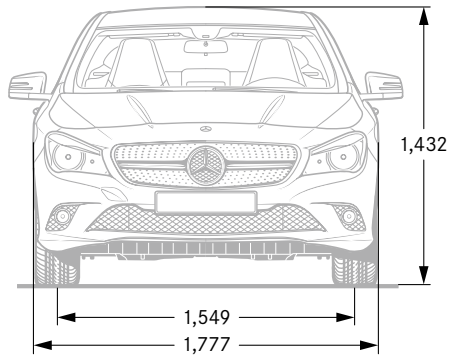
> Coupé  
 > Shooting Brake  
 > AMG



> Find a Retailer



> View the Range Guide





View offers

- > Coupé
- > Shooting Brake



Book a test drive

- > Coupé
- > Shooting Brake
- > AMG



Find a Retailer



View the Range Guide

64

## Technical data – Shooting Brake

Model	Diesel engines			Petrol engines					
	CLA 200 d	CLA 220 d	CLA 220 d 4MATIC	CLA 180	CLA 250 4MATIC	CLA 45 4MATIC			
<b>Engine</b>									
Total displacement	cc	2,143	2,143	2,143	1,595	1,991	1,991		
Arrangement/cylinders/valves		in-line/4/16	in-line/4/16	in-line/4/16	in-line/4/16	in-line/4/16	in-line/4/16		
Power <sup>1</sup>	hp (kW) at rpm	136 (100)/3,200–4,000	177 (130)/3,600–3,800	177 (130)/3,600–3,800	122 (90)/5,000	218 (160)/5,500	381 (280)/6,000		
Torque <sup>1</sup>	Nm at rpm	300/1,400–3,000	350/1,400–3,400	350/1,400–3,400	200/1,250–4,000	350/1,200–4,000	475/2,250–5,000		
<b>Transmission</b>									
6-speed manual		●	–	–	●	–	–		
7G-DCT 7-speed automatic		○	●	●	○	●	–		
AMG SPEEDSHIFT DCT 7-speed sports transmission		–	–	–	–	–	●		
<b>Weights and capacities</b>									
		man.	auto.	auto.	auto.	man.	auto.	auto.	auto.
Kerb weight	kg	1,530	1,555	1,555	1,615	1,430	1,460	1,555	1,615
Perm. Gross Vehicle Weight	kg	2,050	2,050	2,050	2,100	1,955	1,955	2,050	2,120

● Standard ○ Optional – Not available



Model	Diesel engines				Petrol engines			
	CLA 200 d	CLA 220 d	CLA 220 d 4MATIC	CLA 180	CLA 250 4MATIC	CLA 45 4MATIC		
<b>Weights and capacities (continued)</b>	man.	auto.	auto.	auto.	man.	auto.	auto.	auto.
Boot capacity – seats up seats down	495 l 1,354	495 1,354	495 1,354	495 1,354	495 1,354	495 1,354	495 1,354	495 1,354
Towing capacity – unbraked braked	750 kg 1,500	750 1,500	750 1,500	750 1,500	715 1,200	730 1,200	–	–
Fuel tank capacity/ of which reserve	50/6 l	50/6	50/6	56/6	50/6	50/6	56/6	56/8
Turning circle	m 11.00	11.00	11.00	11.00	11.00	11.00	11.00	11.04
<b>Performance</b>	man.	auto.	auto.	auto.	man.	auto.	auto.	auto.
Acceleration 0–62 mph	sec 9.7	9.2	7.8	7.8	9.1	8.8	6.7	4.3
Top speed	mph 134	134	142	140	130	130	149	155
<b>Fuel consumption<sup>3,4</sup></b>	mpg man.	auto.	auto.	auto.	man.	auto.	auto.	auto.
Urban	52.3	58.9	57.7	47.9	36.7	39.8	32.5	29.4
Extra-urban <sup>5</sup>	78.5	78.5	74.3	67.3	60.1	61.4	49.6	47.1
Combined	65.7	68.9	67.3	58.9	48.7	51.4	41.5	38.7



Model	Diesel engines				Petrol engines				
	CLA 200 d	CLA 220 d	CLA 220 d 4MATIC	CLA 180	CLA 250 4MATIC	CLA 45 4MATIC			
<b>CO<sub>2</sub> emissions<sup>3</sup></b>	g/km	man.	auto.	auto.	auto.	man.	auto.	auto.	auto.
Emissions standard		EU6	EU6	EU6	EU6	EU6	EU6	EU6	EU6
18" alloy wheels (225/40 tyres)		111	106	108	126	134	128	-	-
18" alloy wheels (235/40 tyres)		-	-	-	-	-	-	158	162
19" alloy wheels (235/35 tyres)		-	-	-	-	-	-	158	171

**Insurance**

Group rating	24 <sup>6,7</sup>	24 <sup>6,7</sup>	27 <sup>6</sup> /28 <sup>7</sup> /30 <sup>8</sup>	27 <sup>6</sup> /28 <sup>7</sup> /30 <sup>8</sup>	23 <sup>6</sup> /24 <sup>7</sup>	23/24	33	45
--------------	-------------------	-------------------	---	---	----------------------------------	-------	----	----

Insurance ratings may vary depending on model line and specification. Please refer to <http://www.thatcham.org/abigrouprating/> for further details

<sup>1</sup>Figures according to Directive 80/1269/EEC in the currently applicable version <sup>2</sup>Electronically limited <sup>3</sup>All figures are based on a standard specification with the smallest tyre size

<sup>4</sup>The choice of wheels and transmission may affect CO<sub>2</sub> emissions and corresponding Road Fund Licence <sup>5</sup>EUDC: extra-urban driving cycle. Testing procedures adhere to EU Directive 93/116 <sup>6</sup>Sport <sup>7</sup>AMG Sport <sup>8</sup>OrangeArt

The figures on pages 64–67 are correct at time of going to print. Please refer to the government website for latest data – <http://carfueldata.direct.gov.uk/>

All measurements in millimetres. The dimensions shown are mean values and apply to standard-specification, unladen vehicles



View offers  
 > Coupé  
 > Shooting Brake



Book a test drive

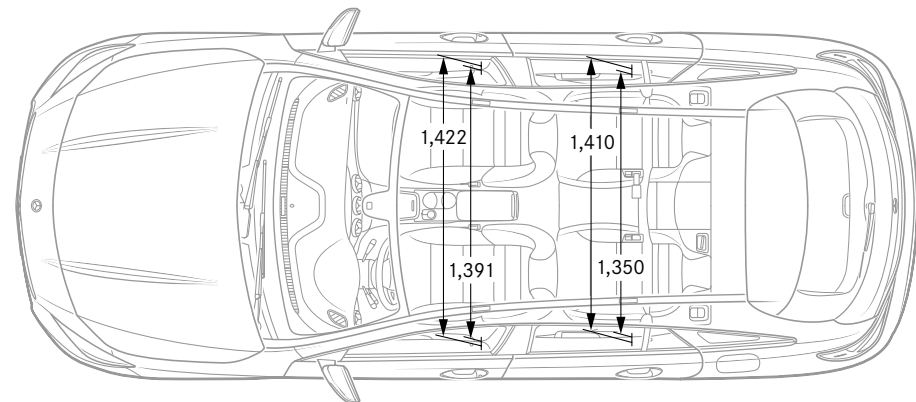
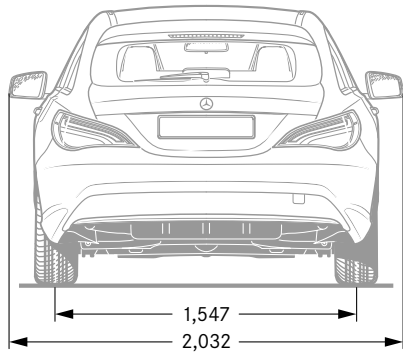
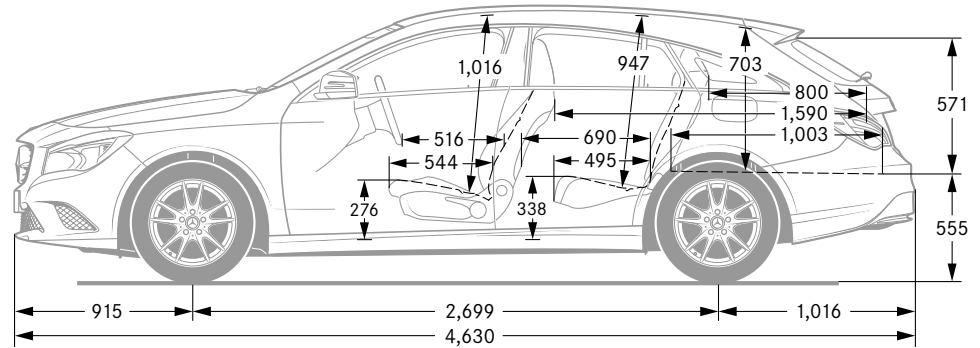
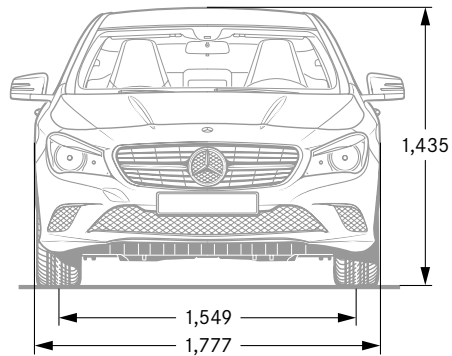
> Coupé  
 > Shooting Brake  
 > AMG



> Find a Retailer



> View the Range Guide







View offers

- > Coupé
- > Shooting Brake



Book a test drive

- > Coupé
- > Shooting Brake
- > AMG



Find a Retailer



View the Range Guide

# Road Fund Licence



All road vehicle registrations are subject to Vehicle Excise Duty (Road Fund Licence), which varies in accordance with the vehicle's CO<sub>2</sub> emissions. A first year rate of Vehicle Excise Duty applies to new cars on their first year of registration. For the second and subsequent years a standard rate for each taxation band will apply.<sup>1</sup> The table below shows the bands (A–M) created by the DVLA and the corresponding Road Fund Licence. CO<sub>2</sub> emissions are listed in the technical data on pages 62 and 66, and the relevant Excise Duty is reflected in the on-the-road prices on pages 10–12.

Band	CO <sub>2</sub> emissions	First year rate (£)	Standard rate (£)
A	up to 100 g/km	0.00	0.00
B	101 to 110 g/km	0.00	20.00
C	111 to 120 g/km	0.00	30.00
D	121 to 130 g/km	0.00	110.00
E	131 to 140 g/km	130.00	130.00
F	141 to 150 g/km	145.00	145.00
G	151 to 165 g/km	180.00	180.00
H	166 to 175 g/km	295.00	205.00
I	176 to 185 g/km	350.00	225.00
J	186 to 200 g/km	490.00	265.00
K	201 to 225 g/km	640.00	290.00
L	226 to 255 g/km	870.00	490.00
M	over 255 g/km	1,100.00	505.00

<sup>1</sup>For further information on vehicle taxation please refer to <http://carfueldata.direct.gov.uk/>



View offers

- > Coupé
- > Shooting Brake



Book a test drive

- > Coupé
- > Shooting Brake
- > AMG



Find a Retailer



View the Range Guide

# Services and insurance

## Mercedes-Benz Service Care

We believe that servicing costs should be as flexible and affordable as possible for your CLA, which is why we offer Service Care, an easy way to budget for all your servicing costs. It spreads your bills into manageable payments based on whether you have a new or used Mercedes-Benz.

With Service Care we guarantee the price of parts and labour for up to four services and safeguard against any further inflation. It also covers the cost of any additional items including brake fluid, spark plugs, air filters, fuel filters and screen wash.

You can choose either to add your servicing costs into your monthly spend or pay the full amount in a one-off payment, giving you peace of mind that they are taken care of for the period of the plan.

To receive a personalised Service Care plan recommendation visit the Service Care Calculator at [www.mercedes-benz.co.uk/servicecare](http://www.mercedes-benz.co.uk/servicecare)

## Warranty and breakdown cover

Every Mercedes-Benz comes with a three-year unlimited mileage warranty against manufacturing or material defects<sup>1</sup> and up to 30 years warranty against perforation due to corrosion from the inside out.<sup>2</sup> What's more, it's also covered by Mercedes-Benz Roadside Assistance – a unique package comprising up to 30 years pan-European breakdown assistance.<sup>2</sup>

## Insurance

Since our name is synonymous with reliability, who better to trust with your motor insurance? Mercedes-Benz Insurance provides a motor insurance policy specifically designed to give you the cover you would expect from Mercedes-Benz. For a motor insurance quotation, call **0345 600 2180**.\*

<sup>1</sup>Applies to vehicles sold by Mercedes-Benz in the UK to its franchised Retailers <sup>2</sup>Subject to full Terms and Conditions, dependent on date of registration, available upon request Mercedes-Benz Motor Insurance is underwritten by Aviva Insurance UK Limited. Credit provided, subject to status, by Mercedes-Benz Financial Services UK Ltd, MK15 8BA \*For joint protection, calls may be recorded and/or monitored. All calls charged at local rate. We may decline to quote in some circumstances



View offers

- > Coupé
- > Shooting Brake



Book a test drive

- > Coupé
- > Shooting Brake
- > AMG



Find a Retailer



View the Range Guide

70



# The Mercedes that thinks and acts for you.

Imagine if...

## ...you could connect with your Mercedes-Benz?

With Mercedes connect me, you can; with Remote Online services<sup>1</sup> that include trip planning, maintenance management and vehicle tracking, plus more.

Getting connected is easy. Just set up your Mercedes me account and get in touch with your Mercedes-Benz Retailer to connect your vehicle to your profile to access your Mercedes connect me services.

## ...you knew beforehand that you need to stop for fuel?

Simply check the fuel level and mileage range from your phone wherever you are. You can also check tyre pressure and washer fluid level. (For electric cars, you can check battery charge state.)

## ...your Mercedes could tell you where it's parked?

You no longer need to ask yourself where you left your car; with Mercedes connect me you can locate your car from your smartphone or tablet within a mile radius.



- 1. PARKED VEHICLE LOCATOR
- 2. VEHICLE TRACKER

- 3. REMOTE RETRIEVAL OF VEHICLE STATUS
- 4. PRE-ENTRY CLIMATE CONTROL FOR ELECTRIC DRIVE AND PLUG-IN HYBRID



View offers

- > Coupé
- > Shooting Brake



Book a test drive

- > Coupé
- > Shooting Brake
- > AMG



> Find a Retailer



> View the Range Guide

### ...you could lock your Mercedes, even if you're miles away?

The uncertainty of whether you've forgotten to lock the car is only human. To make sure your Mercedes-Benz is safe and secure, you can simply lock the car remotely via your PC/Mac, tablet or smartphone.

### ...your Mercedes told you when your service is due?

Being connected means essential data is constantly sent to your Mercedes-Benz Retailer so they know when it is time for a service. Your Retailer can then contact you with a tailor-made service quote.

### ...your Retailer already knows which parts need replacing?

As surprising as this sounds, with telediagnosics your Retailer can recognise remotely if certain parts are due for replacement, contacting you to book an appointment and making sure the relevant parts are in stock when you arrive, getting you back on the road as quickly as possible.

### ...you could just push a button to deal with a breakdown?

Should your car break down, with a simple press of the button everything is taken care of – from breakdown assistance to vehicle recovery.

### ...your Mercedes called for help?

Your Mercedes comes with an SOS button. Press it if you need urgent help and you will be contacted by the emergency response centre.<sup>2</sup> In the event of an accident where airbags or seatbelt tensioners have been activated, a call is placed automatically. Your GPS position is sent to the response teams to initiate rescue efforts.<sup>3</sup>

### The Mercedes that thinks and acts for you.

Contact your Retailer to get connected, or go to [www.mercedes.me](http://www.mercedes.me) for more details.

<sup>1</sup>This is available as an option in conjunction with Audio 20 CD, and standard with COMAND Online. Remote Online is standard with electric drive and plug-in hybrid. Use of the Remote Online equipment option is limited to three years from first registration of the vehicle and can then be extended at extra cost.

<sup>2</sup>A call is placed via the car's sim card, rather than the customer relying on their mobile phone.

<sup>3</sup>This feature is still available to customers without Mercedes connect me services. The customer is not required to accept the terms and conditions on the portal to activate this feature. For all other features the customer will have to accept terms and conditions on the portal to activate them.





View offers

- > Coupé
- > Shooting Brake



Book a test drive

- > Coupé
- > Shooting Brake
- > AMG



Find a Retailer



View the Range Guide

# Mercedes-Benz Finance

## Why should you finance with Mercedes-Benz?

At Mercedes-Benz we believe a great driving experience should be matched by an equally great ownership experience. That is why we put just as much thought, time and effort into designing our finance options, our service plans and our insurance cover as we do into our vehicles.

We are not in the business of simply providing a loan to fund the purchase of your dream vehicle. We look on it as a journey that we take with you, from the moment you choose your new Mercedes-Benz, to helping you in choosing your next one.

If you would like to find out more about any of our current offers, simply call into your local Mercedes-Benz Retailer where one of our Business Managers will be more than happy to talk you through anything you need to know.

## Helping you find the right solution.

You should find our finance packages are more convenient than a traditional personal loan because:

- Funds are immediately available – no waiting for cheques or loans to clear.
- There is no security required – either against your home or other assets.
- We have clear and transparent rates – the APR we quote is the APR you get.
- We have friendly Business Managers – experts in vehicle finance who can talk you through all of your plans in detail.

One of our most popular finance products is Mercedes-Benz Agility (our Personal Contract Purchase product). We also offer Contract Hire, Operating Lease and Hire Purchase solutions. If you would like to find out more about these speak to your Retailer or visit [www.mercedes-benz.co.uk/fandi](http://www.mercedes-benz.co.uk/fandi).

## Mercedes-Benz Agility (our PCP product).

At the start of an Agility agreement, you put down a deposit and decide the term of your agreement and your annual mileage. You will be advised of the Guaranteed Future Value, which offers you the reassurance of knowing exactly what you will need to pay to own the vehicle outright in the future (this is known as the Optional Purchase Payment).

Throughout your agreement you simply pay your agreed monthly payments and when the agreement comes to an end you either purchase, hand back or part-exchange your vehicle.





View offers

- > Coupé
- > Shooting Brake



Book a test drive

- > Coupé
- > Shooting Brake
- > AMG



Find a Retailer



View the Range Guide

### Agility features:

- Fixed regular payments mean you can easily budget.
- Payments are based only on a proportion of the vehicle's value, keeping your monthly payments lower.
- Our Guaranteed Future Value avoids the risk of unplanned depreciation of your vehicle.
- You defer your ownership decision until the end of the agreement.

### At the end of your agreement you have three options to choose from.

#### Option 1: Purchase your Mercedes-Benz.

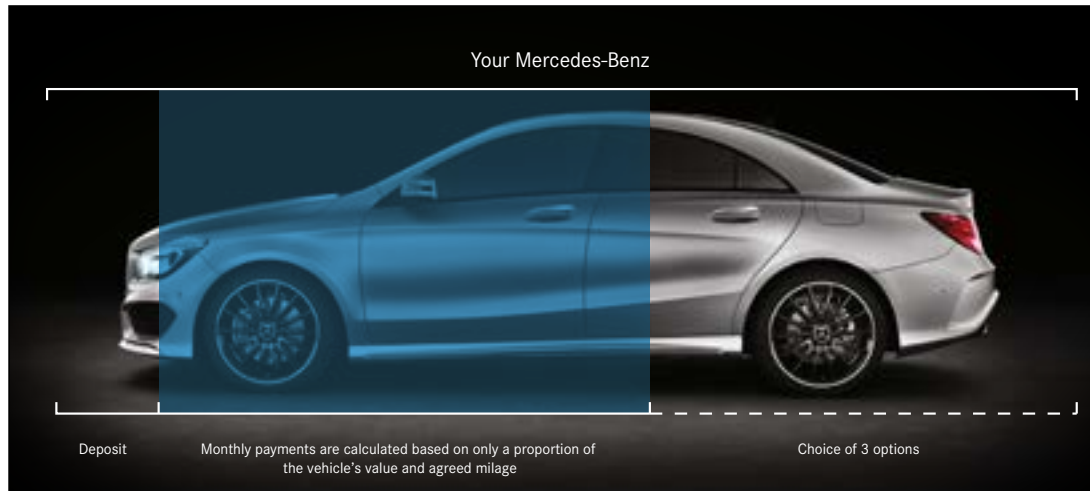
Purchase your Mercedes-Benz by paying the Optional Purchase Payment and Purchase Activation Fee.<sup>1</sup> This will complete the purchase of your Mercedes-Benz, leaving you free to simply enjoy your vehicle.

#### Option 2: Hand back your Mercedes-Benz.

If you decide to return your vehicle to us, it must be in line with our Vehicle Return Standards,\* as vehicle condition, excess mileage and other charges may be payable.

#### Option 3: Part-Exchange for a new vehicle.

Purchase your Mercedes-Benz by paying the Optional Purchase Payment and Purchase Activation Fee.<sup>1</sup> This will complete the purchase of your Mercedes-Benz, leaving you free to part-exchange for a new vehicle.



<sup>1</sup>Please note the 'Purchase Activation Fee' of £10 will be debited from your account \*To find out more information about our Vehicle Return Standards please visit <http://mercedes-benz.co.uk/vrs>





View offers

- > Coupé
- > Shooting Brake



Book a test drive

- > Coupé
- > Shooting Brake
- > AMG



Find a Retailer



View the Range Guide

Follow us on the following social media channels:



<https://www.facebook.com/MercedesBenzUk>



<https://twitter.com/mercedesbenzUK>



<https://www.youtube.com/mercedesbenzUK>



<https://instagram.com/mercedesbenzUK>

Effective from 1 September 2015. Information correct at time of going to print.

Prices and specifications are subject to change without prior notice.

MBC/X177PL/1015

Mercedes-Benz UK Ltd, Tongwell, Milton Keynes, MK15 8BA [www.mercedes-benz.co.uk](http://www.mercedes-benz.co.uk)



**Mixed Sources**

Product group from well-managed forests, controlled sources and recycled wood or fibre  
[www.fsc.org](http://www.fsc.org) Cert no. SGS-COC-004556  
©1996 Forest Stewardship Council

