



View offers

- > Coupé
- > Shooting Brake



Book a test drive

- > Coupé
- > Shooting Brake
- > AMG



Find a Retailer



View the Range Guide

CLA

Coupé and Shooting Brake



Effective from 1 June 2016 Production.

Mercedes-Benz





View offers

- > Coupé
- > Shooting Brake



Book a test drive

- > Coupé
- > Shooting Brake
- > AMG



Find a Retailer



View the Range Guide

Contents

Model prices	10	Lane Tracking package and Driving Assistance package	42	Colours and materials	56
Finance offers	14	Exclusive package	43	Technical data	60
Model lines	22	AMG Exclusive package	44	Road Fund Licence	68
Mercedes-AMG driver training	30	AMG Aerodynamics package	45	Services and insurance	69
Standard equipment	32	Optional equipment	46	Mercedes me	70
Wheels	38	Genuine Accessories	52	Mercedes-Benz Finance	72
Steering wheels	41				



View offers

- > Coupé
- > Shooting Brake



Book a
test drive

- > Coupé
- > Shooting Brake
- > AMG



> Find a Retailer



> View the Range Guide

The hard facts to melt your heart

At Mercedes-Benz we appreciate the importance of detail. Over the following pages you'll find model prices and a breakdown of standard and optional equipment, as well as details of the comprehensive services and benefits that are available to every Mercedes-Benz driver.

See Mercedes-Benz in a new light. Now is the time to get yourself behind the wheel of a CLA. Choose from a number of attractive finance offers. Please see pages 14–21 for further details, or visit www.mercedes-benz.co.uk/offers

Of course, some things have to be experienced to be truly appreciated, such as the qualities that set a Mercedes-Benz apart. Which is why we'd like to invite you for a test drive at your local Mercedes-Benz Retailer. Alternatively, you can make arrangements by visiting www.mercedes-benz.co.uk/testdrive

For more information visit www.mercedes-benz.co.uk or call 0333 222 0500.



View offers

- > Coupé
- > Shooting Brake



Book a test drive

- > Coupé
- > Shooting Brake
- > AMG



Find a Retailer



View the Range Guide





View offers

- > Coupé
- > Shooting Brake



Book a test drive

- > Coupé
- > Shooting Brake
- > AMG



Find a Retailer



View the Range Guide





View offers
▶ Coupé
▶ Shooting Brake



Book a
test drive

▶ Coupé
▶ Shooting Brake
▶ AMG



▶ Find a Retailer



▶ View the Range Guide





View offers
➤ Coupé
➤ Shooting Brake



Book a
test drive

➤ Coupé
➤ Shooting Brake
➤ AMG



➤ Find a Retailer



➤ View the Range Guide





View offers

- > Coupé
- > Shooting Brake



Book a test drive

- > Coupé
- > Shooting Brake
- > AMG



Find a Retailer



View the Range Guide





View offers

- > Coupé
- > Shooting Brake



Book a test drive

- > Coupé
- > Shooting Brake
- > AMG



Find a Retailer



View the Range Guide



Some of the model features, optional extras and colours shown may not be available, or may only be available in a different specification.

[View offers](#)

- > Coupé
- > Shooting Brake

[Book a test drive](#)

- > Coupé
- > Shooting Brake
- > AMG

[Find a Retailer](#)[View the Range Guide](#)

Model prices – Coupé

Engine	Model line	Transmission	CO ₂	Basic RRP excl. VAT (£)	Total RRP incl. VAT (£)	Road Fund Licence (£) ¹	Rec. OTR price (£) ²	P11D value (£)	BiK tax rate 2016/17 (%)
CLA 200 d Diesel – 2,143 cc, 4-cylinder, 136 hp/100kW	Sport	6-speed manual	109	22,395.83	26,875.00	0.00	27,545.00	27,490.00	21
		7G-DCT 7-speed automatic	105	23,645.83	28,375.00	0.00	29,045.00	28,990.00	21
	AMG Line	6-speed manual	109	24,229.17	29,075.00	0.00	29,745.00	29,690.00	21
		7G-DCT 7-speed automatic	105	25,479.17	30,575.00	0.00	31,245.00	31,190.00	21
CLA 220 d Diesel – 2,143 cc, 4-cylinder, 177 hp/130 kW	Sport	7G-DCT 7-speed automatic	106	24,837.50	29,805.00	0.00	30,475.00	30,420.00	21
	AMG Line	7G-DCT 7-speed automatic	106	26,670.83	32,005.00	0.00	32,675.00	32,620.00	21
CLA 220 d 4MATIC Diesel – 2,143 cc, 4-cylinder, 177 hp/130 kW	Sport	7G-DCT 7-speed automatic	123	26,087.50	31,305.00	0.00	31,975.00	31,220.00	24
	AMG Line	7G-DCT 7-speed automatic	123	27,920.83	33,505.00	0.00	34,175.00	33,420.00	24

¹ A different first year rate of Vehicle Excise Duty (Road Fund Licence) applies for new cars. Please refer to page 68 for the relevant rate for the second and subsequent years

² Recommended on-the-road price: these prices reflect the Road Fund Licence applicable to the standard model plus £670.00 additional costs necessary to put your car on the road.

Included are a standard UK delivery charge (£540.00 incl. VAT), new vehicle registration fee (£55.00), number plates (£25.00 incl. VAT) and fuel (£50.00 incl. VAT). VAT is calculated at the standard rate of 20%



Engine	Model line	Transmission	CO ₂	Basic RRP excl. VAT (£)	Total RRP incl. VAT (£)	Road Fund Licence (£) ¹	Rec. OTR price (£) ²	P11D value (£)	BiK tax rate 2016/17 (%)
CLA 180 Petrol – 1,595 cc, 4-cylinder, 122 hp/90 kW	Sport	6-speed manual	128	20,604.17	24,725.00	0.00	25,395.00	25,340.00	22
		7G-DCT 7-speed automatic	124	21,854.17	26,225.00	0.00	26,895.00	26,840.00	21
	AMG Line	6-speed manual	128	22,437.50	26,925.00	0.00	27,595.00	27,540.00	22
		7G-DCT 7-speed automatic	124	23,687.50	28,425.00	0.00	29,095.00	29,040.00	21
CLA 250 Petrol – 1,991 cc, 4-cylinder, 218 hp/160 kW	250 AMG	6-speed manual	156	26,354.17	31,625.00	185.00	32,480.00	32,240.00	28
	250 AMG	7G-DCT 7-speed automatic	143	27,604.17	33,125.00	145.00	33,940.00	33,740.00	25
CLA 250 4MATIC Petrol – 1,991 cc, 4-cylinder, 218 hp/160 kW	250 AMG	7G-DCT 7-speed automatic	160	28,854.17	34,625.00	185.00	35,480.00	35,240.00	28

Mercedes-AMG

Mercedes-AMG CLA 45 4MATIC Petrol – 1,991 cc, 4-cylinder, 381 hp/280 kW	–	AMG SPEEDSHIFT DCT 7-speed sports	162	35,550.00	42,660.00	185.00	43,515.00	43,275.00	29
---	---	-----------------------------------	-----	-----------	-----------	--------	-----------	-----------	----

¹A different first year rate of Vehicle Excise Duty (Road Fund Licence) applies for new cars. Please refer to page 68 for the relevant rate for the second and subsequent years

²Recommended on-the-road price: these prices reflect the Road Fund Licence applicable to the standard model plus £670.00 additional costs necessary to put your car on the road.

Included are a standard UK delivery charge (£540.00 incl. VAT), new vehicle registration fee (£55.00), number plates (£25.00 incl. VAT) and fuel (£50.00 incl. VAT). VAT is calculated at the standard rate of 20%

[View offers](#)

- > Coupé
- > Shooting Brake

[Book a test drive](#)

- > Coupé
- > Shooting Brake
- > AMG

[Find a Retailer](#)[View the Range Guide](#)

Model prices – Shooting Brake

Engine	Model line	Transmission	CO ₂	Basic RRP excl. VAT (£)	Total RRP incl. VAT (£)	Road Fund Licence (£) ¹	Rec. OTR price (£) ²	P11D value (£)	BiK tax rate 2015/16 (%)
CLA 200 d Diesel – 2,143 cc, 4-cylinder, 136 hp/100 kW	Sport	6-speed manual	111	23,104.17	27,725.00	0.00	28,395.00	28,340.00	22
		7G-DCT 7-speed automatic	106	24,354.17	29,225.00	0.00	29,895.00	29,840.00	21
	AMG Line	6-speed manual	111	24,937.50	29,925.00	0.00	30,595.00	30,540.00	22
		7G-DCT 7-speed automatic	106	26,187.50	31,425.00	0.00	32,095.00	32,040.00	21
CLA 220 d Diesel – 2,143 cc, 4-cylinder, 177 hp/130 kW	Sport	7G-DCT 7-speed automatic	108	25,545.83	30,655.00	0.00	31,325.00	31,270.00	21
	AMG Line	7G-DCT 7-speed automatic	108	27,379.17	32,855.00	0.00	33,525.00	33,470.00	21
CLA 220 d 4MATIC Diesel – 2,143 cc, 4-cylinder, 177 hp/130 kW	Sport	7G-DCT 7-speed automatic	126	26,795.83	32,155.00	0.00	32,825.00	32,770.00	25
	AMG Line	7G-DCT 7-speed automatic	126	28,629.17	34,355.00	0.00	35,025.00	34,970.00	25

¹A different first year rate of Vehicle Excise Duty (Road Fund Licence) applies for new cars. Please refer to page 68 for the relevant rate for the second and subsequent years

²Recommended on-the-road price: these prices reflect the Road Fund Licence applicable to the standard model plus £670.00 additional costs necessary to put your car on the road.

Included are a standard UK delivery charge (£540.00 incl. VAT), new vehicle registration fee (£55.00), number plates (£25.00 incl. VAT) and fuel (£50.00 incl. VAT). VAT is calculated at the standard rate of 20%



Engine	Model line	Transmission	CO ₂	Basic RRP excl. VAT (£)	Total RRP incl. VAT (£)	Road Fund Licence (£) ¹	Rec. OTR price (£) ²	P11D value (£)	BiK tax rate 2015/16 (%)
CLA 180 Petrol – 1,595 cc, 4-cylinder, 122 hp/90 kW	Sport	6-speed manual	134	21,312.50	25,575.00	130.00	26,375.00	26,190.00	23
		7G-DCT 7-speed automatic	130	22,562.50	27,075.00	0.00	27,745.00	27,690.00	23
	AMG Line	6-speed manual	134	23,145.83	27,775.00	130.00	28,575.00	28,390.00	23
		7G-DCT 7-speed automatic	130	24,395.83	29,275.00	0.00	29,945.00	29,890.00	23
CLA 250 4MATIC Petrol – 1,991 cc, 4-cylinder, 218 hp/160 kW	250 AMG	7G-DCT 7-speed automatic	160	29,562.50	35,475.00	185.00	36,330.00	36,090.00	29
Mercedes-AMG									
Mercedes-AMG CLA45 4MATIC Petrol – 1,991 cc, 4-cylinder, 381 hp/280 kW	–	AMG SPEEDSHIFT DCT 7-speed sports	162	36,285.33	43,510.00	185.00	44,365.00	44,310.00	29

¹A different first year rate of Vehicle Excise Duty (Road Fund Licence) applies for new cars. Please refer to page 68 for the relevant rate for the second and subsequent years

²Recommended on-the-road price: these prices reflect the Road Fund Licence applicable to the standard model plus £670.00 additional costs necessary to put your car on the road.

Included are a standard UK delivery charge (£540.00 incl. VAT), new vehicle registration fee (£55.00), number plates (£25.00 incl. VAT) and fuel (£50.00 incl. VAT). VAT is calculated at the standard rate of 20%



View offers

- > Coupé
- > Shooting Brake



Book a test drive

- > Coupé
- > Shooting Brake
- > AMG



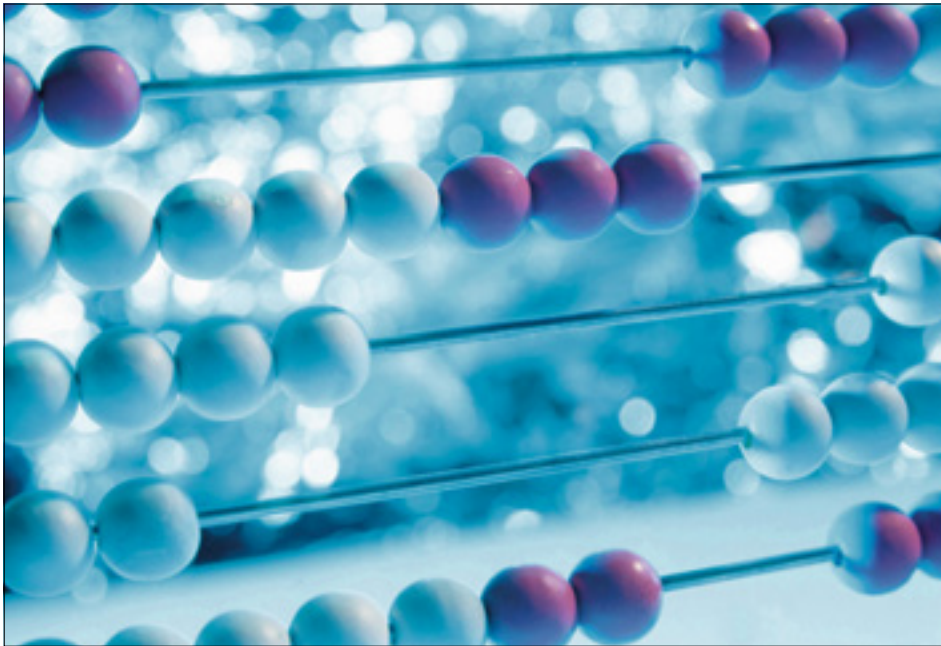
> Find a Retailer



> View the Range Guide

Mercedes-Benz Finance

Where the clever money goes



CLA 180 AMG Line Coupé with optional metallic paint (representative example)

36 monthly payments of ¹	£319.00
Customer deposit	£3,999.00
On-the-road price	£28,255.00
Retailer deposit contribution	£1,495.12
Optional purchase payment ²	£13,875.00
Amount of credit	£22,760.88
Duration of agreement	36 months
Total amount payable ³	£30,863.12
Purchase activation fee ²	£10.00
APR	4.8%
Fixed interest rate	4.67%
Excess mileage	6p per mile



View offers

- > Coupé
- > Shooting Brake



Book a test drive

- > Coupé
- > Shooting Brake
- > AMG



> Find a Retailer



> View the Range Guide

Example offers – 4.8% APR Representative

	Automatic	Metallic	On-the-road price	Retailer deposit contribution	Customer deposit	36 monthly payments of ¹
CLA 220 d AMG Line Coupé	●	○	£33,335.00	£1,495.12	£4,654.25	£379.00

● Standard equipment ○ Optional equipment included in the price

Mercedes-Benz Service Care

- Mercedes-Benz trained Technicians
- Maintained by Mercedes-Benz Retailers
- Meets requirements of Mercedes-Benz Agility finance agreement

Mercedes-Benz Motor Insurance

- 24/7 UK accident recovery
- We use Mercedes-Benz GenuineParts
- To qualify for up to 10% discount online, go to www.mercedes-benz.co.uk/motorinsurance
- Alternatively, call Mercedes-Benz Motor Insurance now on **0345 600 2180⁴** for an annual quote

We may decline to quote in some circumstances. Mercedes-Benz Motor Insurance is underwritten by Aviva Insurance Limited

Content relating to finance is promoted by Mercedes-Benz Finance. Your Retailer may offer finance on behalf of other companies.

Orders/credit approvals on selected CLA Coupé models only, between 1 October and 31 December 2016, registered by 31 March 2017; excluding Mercedes-AMG models. Some combinations of features/options may not be available. Please contact your local Mercedes-Benz Retailer for availability

¹Based on a Mercedes-Benz Agility agreement. Vehicle condition, excess mileage and other charges may be payable. Quotations available on request for alternative contract lengths and mileages. Guarantees may be required.

Credit provided subject to status by Mercedes-Benz Finance, MK15 8BA

²Payable if you exercise the option to purchase the car

³Includes optional purchase payment, purchase activation fee and Retailer deposit contribution (where applicable)

⁴Calls are charged at local rate and may be recorded



View offers

- > Coupé
- > Shooting Brake



Book a test drive

- > Coupé
- > Shooting Brake
- > AMG



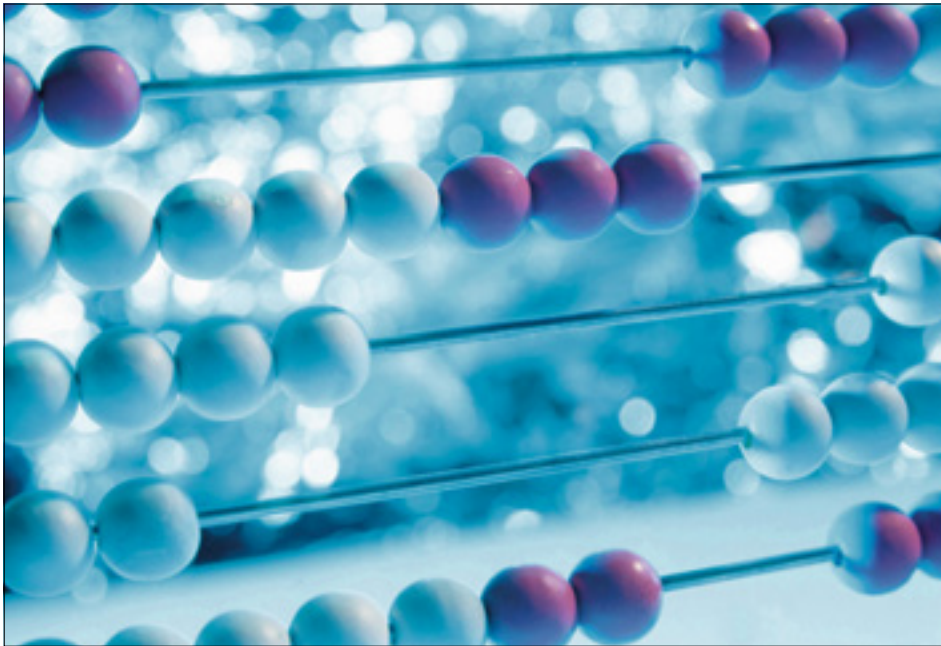
Find a Retailer



View the Range Guide

Mercedes-Benz Finance

It comes with a specification list worth exploring



Mercedes-AMG CLA 45 4MATIC Coupé with optional metallic paint (representative example)

36 monthly payments of ¹	£499.00
Customer deposit	£5,999.00
On-the-road price	£43,905.00
Retailer deposit contribution	£1,718.69
Optional purchase payment ²	£22,375.00
Amount of credit	£36,187.31
Duration of agreement	36 months
Total amount payable ³	£48,066.69
Purchase activation fee ²	£10.00
APR	4.8%
Fixed interest rate	4.67%
Excess mileage	9p per mile



View offers

- > Coupé
- > Shooting Brake



Book a test drive

- > Coupé
- > Shooting Brake
- > AMG



Find a Retailer



View the Range Guide

**Example offers –
4.8% APR Representative**

	Automatic	Metallic	On-the-road price	Retailer deposit contribution	Customer deposit	36 monthly payments of ¹
Mercedes-AMG CLA 45 4MATIC Coupé	●	○	£43,905.00	£1,718.69	£5,999.00	£499.00

● Standard equipment ○ Optional equipment included in the price

Mercedes-Benz Service Care

- Mercedes-Benz trained Technicians
- Maintained by Mercedes-Benz Retailers
- Meets requirements of Mercedes-Benz Agility finance agreement

Mercedes-Benz Motor Insurance

- 24/7 UK accident recovery
- We use Mercedes-Benz GenuineParts
- To qualify for up to 10% discount online, go to www.mercedes-benz.co.uk/motorinsurance
- Alternatively, call Mercedes-Benz Motor Insurance now on **0345 600 2180⁴** for an annual quote

We may decline to quote in some circumstances. Mercedes-Benz Motor Insurance is underwritten by Aviva Insurance Limited

Content relating to finance is promoted by Mercedes-Benz Finance. Your Retailer may offer finance on behalf of other companies.

Orders/credit approvals on Mercedes-AMG CLA 45 Coupé models only, between 1 October and 31 December 2016, registered by 31 March 2017; excluding non-Mercedes-AMG models. Some combinations of features/options may not be available. Please contact your local Mercedes-Benz Retailer for availability

¹Based on a Mercedes-Benz Agility agreement. Vehicle condition, excess mileage and other charges may be payable. Quotations available on request for alternative contract lengths and mileages. Guarantees may be required.

Credit provided subject to status by Mercedes-Benz Finance, MK15 8BA

²Payable if you exercise the option to purchase the car

³Includes optional purchase payment, purchase activation fee and Retailer deposit contribution (where applicable)

⁴Calls are charged at local rate and may be recorded



View offers

- > Coupé
- > Shooting Brake



Book a test drive

- > Coupé
- > Shooting Brake
- > AMG



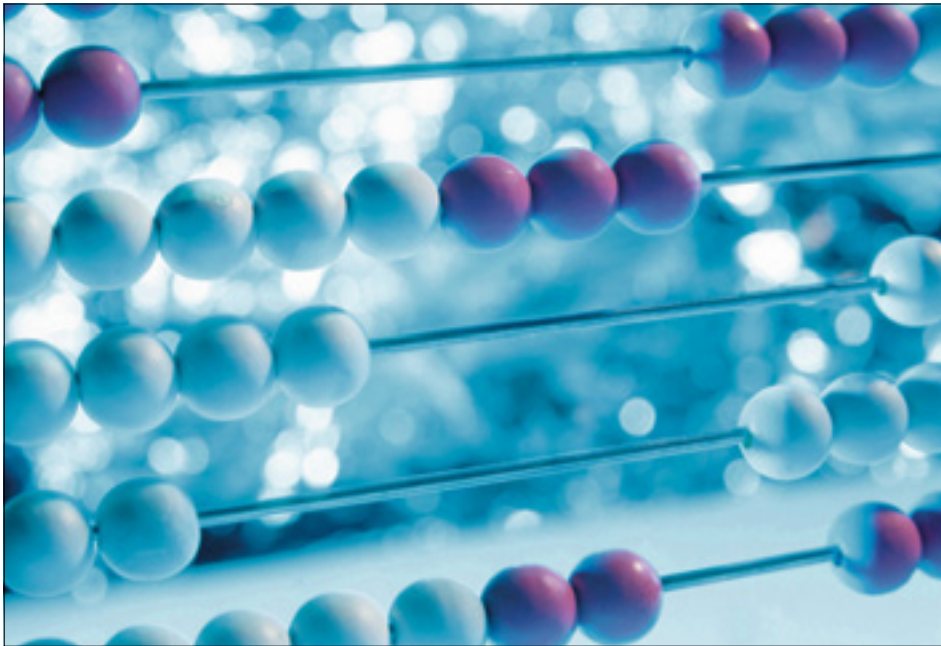
Find a Retailer



View the Range Guide

Mercedes-Benz Finance

The finance plan is designed to impress too



CLA 180 AMG Line Shooting Brake with optional metallic paint (representative example)

36 monthly payments of ¹	£319.00
Customer deposit	£3,999.00
On-the-road price	£29,235.00
Retailer deposit contribution	£1,953.42
Optional purchase payment ²	£14,475.00
Amount of credit	£23,282.58
Duration of agreement	36 months
Total amount payable ³	£31,921.42
Purchase activation fee ²	£10.00
APR	4.8%
Fixed interest rate	4.67%
Excess mileage	6p per mile



View offers

- > Coupé
- > Shooting Brake



Book a test drive

- > Coupé
- > Shooting Brake
- > AMG



> Find a Retailer



> View the Range Guide

**Example offers –
4.8% APR Representative**

	Automatic	Metallic	On-the-road price	Retailer deposit contribution	Customer deposit	36 monthly payments of ¹
CLA 220 d AMG Line Shooting Brake	●	○	£34,185.00	£1,953.42	£4,524.24	£379.00

● Standard equipment ○ Optional equipment included in the price

Mercedes-Benz Service Care

- Mercedes-Benz trained Technicians
- Maintained by Mercedes-Benz Retailers
- Meets requirements of Mercedes-Benz Agility finance agreement

Mercedes-Benz Motor Insurance

- 24/7 UK accident recovery
- We use Mercedes-Benz GenuineParts
- To qualify for up to 10% discount online, go to www.mercedes-benz.co.uk/motorinsurance
- Alternatively, call Mercedes-Benz Motor Insurance now on **0345 600 2180⁴** for an annual quote

We may decline to quote in some circumstances. Mercedes-Benz Motor Insurance is underwritten by Aviva Insurance Limited

Content relating to finance is promoted by Mercedes-Benz Finance. Your Retailer may offer finance on behalf of other companies.

Orders/credit approvals on selected CLA Shooting Brake models only, between 1 October and 31 December 2016, registered by 31 March 2017; excluding Mercedes-AMG models. Some combinations of features/options may not be available. Please contact your local Mercedes-Benz Retailer for availability

¹Based on a Mercedes-Benz Agility agreement. Vehicle condition, excess mileage and other charges may be payable. Quotations available on request for alternative contract lengths and mileages. Guarantees may be required.

Credit provided subject to status by Mercedes-Benz Finance, MK15 8BA

²Payable if you exercise the option to purchase the car

³Includes optional purchase payment, purchase activation fee and Retailer deposit contribution (where applicable)

⁴Calls are charged at local rate and may be recorded



View offers

- > Coupé
- > Shooting Brake



Book a test drive

- > Coupé
- > Shooting Brake
- > AMG



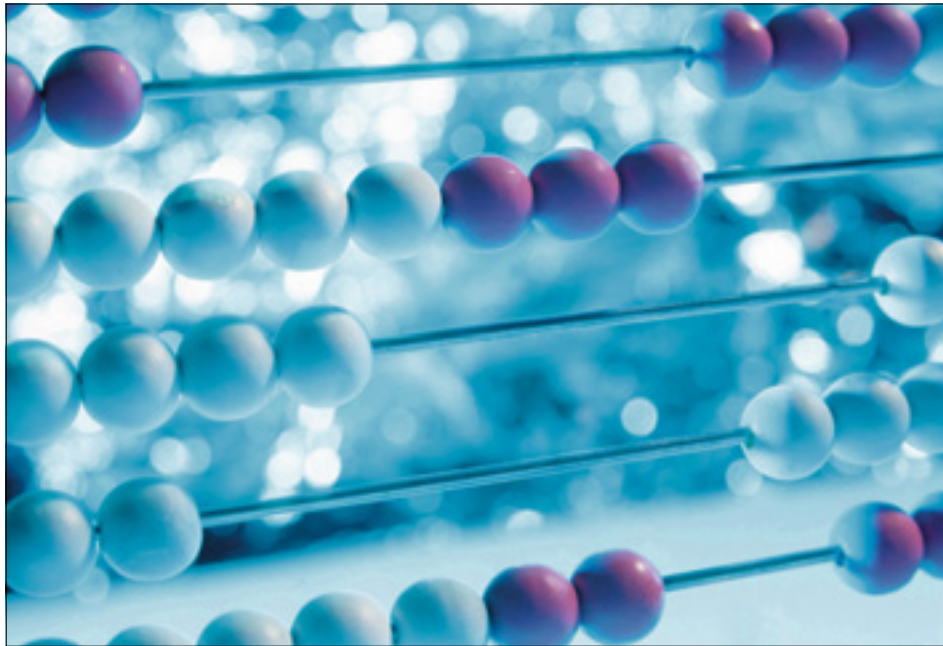
> Find a Retailer



> View the Range Guide

Mercedes-Benz Finance

Even the finance offer is beautifully put together



Mercedes-AMG CLA 45 4MATIC Shooting Brake with automatic transmission and optional metallic paint (representative example)

36 monthly payments of ¹	£499.00
Customer deposit	£5,999.00
On-the-road price	£44,755.00
Retailer deposit contribution	£2,068.72
Optional purchase payment ²	£22,950.00
Amount of credit	£36,687.28
Duration of agreement	36 months
Total amount payable ³	£48,991.72
Purchase activation fee ²	£10.00
APR	4.8%
Fixed interest rate	4.67%
Excess mileage	9p per mile



View offers

- > Coupé
- > Shooting Brake



Book a test drive

- > Coupé
- > Shooting Brake
- > AMG



> Find a Retailer



> View the Range Guide

**Example offers –
4.8% APR Representative**

	Automatic	Metallic	On-the-road price	Retailer deposit contribution	Customer deposit	36 monthly payments of ¹
Mercedes-AMG CLA 45 4MATIC Shooting Brake	●	○	£44,755.00	£2,068.72	£5,999.00	£499.00

● Standard equipment ○ Optional equipment included in the price

Mercedes-Benz Service Care

- Mercedes-Benz trained Technicians
- Maintained by Mercedes-Benz Retailers
- Meets requirements of Mercedes-Benz Agility finance agreement

Mercedes-Benz Motor Insurance

- 24/7 UK accident recovery
- We use Mercedes-Benz GenuineParts
- To qualify for up to 10% discount online, go to www.mercedes-benz.co.uk/motorinsurance
- Alternatively, call Mercedes-Benz Motor Insurance now on **0345 600 2180⁴** for an annual quote

We may decline to quote in some circumstances. Mercedes-Benz Motor Insurance is underwritten by Aviva Insurance Limited

Content relating to finance is promoted by Mercedes-Benz Finance. Your Retailer may offer finance on behalf of other companies.

Orders/credit approvals on Mercedes-AMG CLA 45 Shooting Brake models only, between 1 October and 31 December 2016, registered by 31 March 2017; excluding non-Mercedes-AMG models. Some combinations of features/options may not be available. Please contact your local Mercedes-Benz Retailer for availability

¹Based on a Mercedes-Benz Agility agreement. Vehicle condition, excess mileage and other charges may be payable. Quotations available on request for alternative contract lengths and mileages. Guarantees may be required.

Credit provided subject to status by Mercedes-Benz Finance, MK15 8BA

²Payable if you exercise the option to purchase the car

³Includes optional purchase payment, purchase activation fee and Retailer deposit contribution (where applicable)

⁴Calls are charged at local rate and may be recorded



View offers

- > Coupé
- > Shooting Brake



Book a test drive

- > Coupé
- > Shooting Brake
- > AMG



Find a Retailer



View the Range Guide

CLA Sport



Optional LED High Performance headlamps and metallic paint finish



Optional LED tail lights and metallic paint finish



View offers

- > Coupé
- > Shooting Brake



Book a test drive

- > Coupé
- > Shooting Brake
- > AMG



Find a Retailer



View the Range Guide

The Sport model with its energetic bodystyling is equipped with a single-louvre radiator grille in diamond design, visible twin sports tailpipes, and 18" 5-twin-spoke alloy wheels, all created to turn heads. In addition to the eye-catching and sporty exterior the inside of the CLA Sport features illumination for front door sills, ambient lighting (single colour) and

pre-wiring for Garmin® MAP PILOT navigation system and Audio 20 radio/single CD with a 7-inch Media Display. Sports seats with integrated headrests are standard and available in a choice of three upholstery and two trim combinations.

Exterior




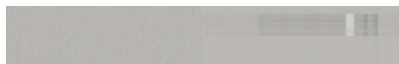
- 18" 5-twin-spoke alloy wheels painted in himalaya grey
- Beltline strips in chrome look
- Comfort suspension
- Diamond grille with pins in high-gloss black and single silver-painted louvre with chrome inserts
- DYNAMIC SELECT – with a choice of driving modes: ECO, Comfort, Sport and Individual²
- Exhaust system – twin-pipe exhaust system with rectangular tailpipes in polished stainless steel
- Parking Pilot
- Rain-sensing wipers

Interior

- 12-button multi-function leather steering wheel – 3-spoke design with perforated grip area and black topstitching
- Audio 20 radio/single CD – 7-inch Media Display, 6 speakers, telephone keypad, Bluetooth® interface and USB port. Media Interface allows connection and control of portable media devices (e.g. MP3 player, USB storage media)

- Cruise control with Limiter
- Illumination for headrests, stowage compartment and vanity mirrors; reading lights and console light in rear roof lining
- Smartphone integration comprising Apple CarPlay™
- Sports seats with upholstery in ARTICO leather¹/Maringá fabric
- THERMOTRONIC – luxury automatic climate control, two-zone, with display

Trim and Upholstery

Sail pattern trim	ARTICO leather ¹ /Maringá fabric in black with blue highlights
	
ARTICO leather ¹ /Maringá fabric in black with white highlights	ARTICO leather ¹ /Maringá fabric in crystal grey with white highlights
	

¹Man-made leather ²Only in conjunction with automatic transmission



View offers

- > Coupé
- > Shooting Brake



Book a test drive

- > Coupé
- > Shooting Brake
- > AMG



Find a Retailer



View the Range Guide

CLA AMG Line



Black ARTICO leather¹/DINAMICA microfibre



Optional orient bronze metallic paint finish



View offers

- > Coupé
- > Shooting Brake



Book a test drive

- > Coupé
- > Shooting Brake
- > AMG



Find a Retailer



View the Range Guide

If you want to enhance the sporty performance of your CLA, the AMG Line offers lowered comfort suspension, which lowers the front axle by 20 mm. Looking good: 18" AMG 5-twin-spoke alloy wheels, LED High Performance headlamps and AMG bodystyling comprising front apron, rear apron and side skirts are standard. Adding to the distinctive look of this CLA, black

In addition/replacement to Sport:

Exterior

- 18" AMG alloy wheels – 5-twin-spoke design with bi-colour finish
- Beltline strips and mirror housings in black
- Diamond grille with silver pins, single louvre in high-gloss black and chrome trim
- DYNAMIC SELECT – with a choice of driving modes: ECO, Comfort, Sport and Individual²
- Front brake calipers with 'Mercedes-Benz' lettering
- LED High Performance headlamps
- Lowered comfort suspension (lowered by 15 mm rear and 20 mm front)
- Privacy glass

mirror caps, black beltline strips and heat-insulating privacy glass in the rear windows enhance the visual appeal. Inside, the sports steering wheel with flattened lower section, red contrast stitching in combination with ARTICO leather¹/DINAMICA microfibre upholstery adds to the premium atmosphere of the CLA AMG Line.

Interior

- 12-button multi-function leather steering wheel – 3-spoke design with perforated grip area and red contrast stitching
- AMG floor mats with red stitched edging
- Brushed stainless steel sports pedals with rubber studs
- Sports seats with upholstery in ARTICO leather¹/DINAMICA microfibre with red contrast stitching

Trim and Upholstery

- Light aluminium with longitudinal grain
- Black ARTICO leather¹/DINAMICA microfibre with red contrast stitching

¹Man-made leather ²Only in conjunction with automatic transmission



View offers

- > Coupé
- > Shooting Brake



Book a test drive

- > Coupé
- > Shooting Brake
- > AMG



Find a Retailer



View the Range Guide

CLA 250 AMG



Black ARTICO leather¹/DINAMICA microfibre with red contrast stitching



Optional metallic paint and 19" AMG multi-spoke alloy wheels



View offers

- > Coupé
- > Shooting Brake



Book a test drive

- > Coupé
- > Shooting Brake
- > AMG



Find a Retailer



View the Range Guide

As athletic and dynamic as you could possibly get, the CLA 250 AMG model line features AMG bodystyling all round, 18" AMG 5-spoke alloy wheels and a lowered sports suspension with AMG speed-sensitive sports steering. And there's plenty more to catch the eye, such as the LED High Performance headlamps or red-painted front and rear brake calipers with 'Mercedes-Benz'

In addition/replacement to AMG Line:

Exterior


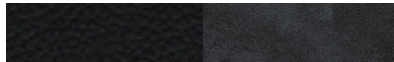
- 18" AMG alloy wheels – 5-spoke design with high-sheen finish
- AMG speed-sensitive sports steering
- Automatically dimming driver's exterior mirror
- Electrically folding exterior mirrors
- Front and rear brake calipers painted red with 'Mercedes-Benz' lettering on front
- Lowered sports suspension 'Engineered by AMG'
- Modified Electronic Stability Programme (ESP®) configuration
- Parking Pilot
- Red trim in front and rear aprons

lettering on the front calipers. Inside, the colour theme continues with ARTICO leather¹/DINAMICA microfibre in black with red contrast stitching, red designo seat belts plus floor mats with red stitched edging and 'Sport' badging.

Interior

- 12-colour ambient lighting
- Air vents with black surround, red insert and cruciform nozzle
- Automatically dimming rear view mirror
- designo seat belts in red
- Floor mats with red stitched edging and 'Sport' lettering
- Garmin® MAP PILOT navigation system
- Heated front seats

Trim and Upholstery

Light aluminium with longitudinal grain	Black ARTICO leather ¹ /DINAMICA microfibre with red contrast stitching
	

¹Man-made leather



View offers

- > Coupé
- > Shooting Brake



Book a test drive

- > Coupé
- > Shooting Brake
- > AMG



Find a Retailer



View the Range Guide

Mercedes-AMG CLA 45 4MATIC



Optional designo paint, AMG Aerodynamics package (code B26), 19" AMG cross-spoke alloy wheels with brake caliper lacquered in red (code U70)



View offers

- > Coupé
- > Shooting Brake



Book a test drive

- > Coupé
- > Shooting Brake
- > AMG



Find a Retailer



View the Range Guide

The Mercedes-AMG CLA 45 4MATIC is a thoroughbred sports car, complete with its top-of-the-range 381 hp 4-cylinder petrol engine. Plenty of athletic features support this powerful set-up: from the AMG Sport suspension and transmission to the performance-orientated 4MATIC all wheel drive system. For dynamic looks the CLA 45 4MATIC model has its unique AMG bodystyling with high-gloss black details on the front apron splitter, side sill panels and rear apron. 18" AMG alloy wheels in a 10-spoke design, painted in titanium

grey with high-sheen finish complete the sporty exterior. For maximum lateral support in every corner, the interior features AMG Performance seats with integrated head restraints and AMG badge for driver and front passenger. They are upholstered in black ARTICO leather¹/DINAMICA microfibre with red contrast stitching and match the 3-spoke 12-button AMG performance steering wheel in nappa leather/DINAMICA microfibre.

Exterior

- 18" AMG alloy wheels – 10-spoke design, painted in titanium grey with high-sheen finish
- AMG bodystyling – front apron splitter, rear apron and side sill panels in high-gloss black
- AMG high-performance braking system with 3-stage ESP®
- AMG speed-sensitive sports steering
- AMG SPEEDSHIFT DCT 7-speed automatic sports transmission including RACE START and 'Sailing' function
- AMG sports exhaust system with two twin black chrome-plated tailpipes
- AMG sports suspension
- AMG-tuned Electronic Stability Programme (ESP®) with Acceleration Skid Control (ASR)
- LED High Performance headlamps
- Privacy glass

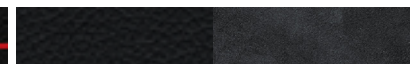
Interior

- AMG DRIVE UNIT – E-SELECT gearshift lever with leather-embossed AMG emblem and main key with AMG emblem
- AMG DYNAMIC SELECT – with a choice of driving modes: Comfort, Sport, Sport+ and Individual
- AMG floor mats with red stitched edging
- AMG instrument cluster with colour display and AMG menu
- AMG Performance seats – driver and front passenger
- AMG performance steering wheel in nappa leather/DINAMICA microfibre with aluminium gearshift paddles

Trim and Upholstery

AMG design trim in black/red

Black ARTICO leather¹/DINAMICA microfibre



¹Man-made leather



View offers

- > Coupé
- > Shooting Brake



Book a test drive

- > Coupé
- > Shooting Brake
- > AMG



Find a Retailer



View the Range Guide

Exclusive driver training for Mercedes-AMG owners

All Mercedes-AMG customers are invited to a complimentary AMG Driving Academy Training experience at Mercedes-Benz World.



With friendly one-to-one tuition from a professional Mercedes-AMG driver, your training will be personalised to you. You'll push Mercedes-AMG driving performance and your driving skills to the limits on our track and purpose-built low friction dynamic handling facilities.

Through high-speed and adrenaline-fuelled exercises you'll experience oversteer, understeer, slaloms and many more performance driving skills. Designed as part of your ownership experience, this will lay the foundations to master a high-performance vehicle, develop driving skills with maximum enjoyment and prepare you to take full command of your own Mercedes-AMG.

TERMS AND CONDITIONS

The following only are eligible: the first purchaser/registered keeper of a newly-registered Mercedes-AMG; the second owner/registered keeper of a Mercedes-AMG purchased from a Mercedes-Benz Retailer, where the vehicle is less than 90 days from registration. The AMG Driving Academy Training experience is the AMG BASIC-Training as detailed in the further information above and must be booked and taken within six months of delivery of your Mercedes-AMG; it cannot be exchanged and cannot be transferred for any other driving experience. The Training experience is available Monday to Friday only and is subject to availability. Mercedes-Benz UK Limited reserves the right to amend or withdraw this Training experience. Attendees must hold a full UK driving licence. Attendees will be required to sign the Mercedes-Benz World Driving Risk Acknowledgement prior to undertaking the Training experience. The Training experience is also subject to the Mercedes-Benz World Terms and Conditions, as applicable.



View offers

- > Coupé
- > Shooting Brake



Book a test drive

- > Coupé
- > Shooting Brake
- > AMG



Find a Retailer



View the Range Guide





View offers

- > Coupé
- > Shooting Brake



Book a test drive

- > Coupé
- > Shooting Brake
- > AMG



Find a Retailer



View the Range Guide

Standard equipment

Mercedes-AMG CLA 45 4MATIC

Item	Sport	AMG Line	250 AMG	Mercedes-AMG CLA 45 4MATIC
Transmission and Suspension				
Cruise Control with Limiter	●	●	●	●
Driving modes – DYNAMIC SELECT with a choice of driving modes: ECO, Comfort, Sport and Individual	△	●	●	–
Driving modes – AMG DYNAMIC SELECT with a choice of driving modes: Comfort, Sport, Sport+ and Individual	–	–	–	●
ECO start/stop function	●	●	●	●
Suspension – AMG sports suspension	–	–	–	●
Suspension – comfort suspension	●	–	–	–
Suspension – lowered comfort suspension (lowered by 20 mm front, 15 mm rear)	–	●	–	–
Suspension – lowered sports suspension	–	–	●	–
Transmission – 6-speed manual transmission with shift point indicator	△	△	●	–
Transmission – 7G-DCT 7-speed dual-clutch automatic transmission with steering wheel gearshift paddles	△	△	○	–
Transmission – AMG SPEEDSHIFT DCT 7-speed automatic sports transmission with steering wheel gearshift paddles and RACE START function	–	–	–	●

Item	Sport	AMG Line	250 AMG	Mercedes-AMG CLA 45 4MATIC
Exterior				
Beltline strips – black	–	●	–	●
Beltline strips – chrome	●	–	●	–
Bodystyling – AMG bodystyling with front and rear apron plus side sill panels	–	●	●	–
Bodystyling – AMG bodystyling	–	–	–	●
Front apron with splitter in high-gloss black				
Rear apron with trim strip in high-gloss black				
Side sill panels with inserts in high-gloss black				
Bodystyling – AMG spoiler lip	–	–	–	●
Bodystyling – side skirts, body-coloured	●	●	●	●
Brakes – AMG high-performance with 3-stage ESP®	●	●	●	●
Brakes – brake calipers, front and rear with 'AMG' lettering	–	–	–	●
Brakes – brake calipers, front with 'Mercedes-Benz' lettering	–	●	–	–
Brakes – brake calipers painted red, front with 'Mercedes-Benz' lettering	–	–	●	–
Bumpers – body-coloured	●	●	●	●

Mercedes-AMG CLA 45 4MATIC



View offers

- > Coupé
- > Shooting Brake



Book a test drive

- > Coupé
- > Shooting Brake
- > AMG



Find a Retailer



View the Range Guide

Standard equipment

Item	Sport	AMG Line	250 AMG	Mercedes-AMG CLA 45 4MATIC
Exterior (continued)				
Door handles – body-coloured	●	●	●	●
Door mirrors – auto-dimming driver's exterior mirror	○	○	●	○
Door mirrors – black mirror housings with integrated LED indicators and aspherically curved mirror glass	-	●	-	●
Door mirrors – body-coloured mirror housings with integrated LED indicators and aspherically curved mirror glass	●	-	●	-
Door mirrors – electrically adjustable and heated	●	●	●	●
Door mirrors – electrically folding	○	○	●	○
Exhaust system – AMG sports exhaust system with two twin black chrome-plated tailpipes	-	-	-	●
Exhaust system – twin-pipe exhaust system with rectangular tailpipes in polished stainless steel	●	●	●	●
Glass – heated rear windscreen with timer control	●	●	●	●
Glass – privacy glass from B-pillar backwards	○	●	●	●

Item	Sport	AMG Line	250 AMG	Mercedes-AMG CLA 45 4MATIC
Lights – LED High Performance headlamps with integrated LED daytime running lamps	○	●	●	●
Lights – halogen headlamps with integrated daytime running lamps	●	-	-	-
Lights – high-level third brake light, LED	●	●	●	●
Lights – LED tail lamps	○	●	●	●
Parking Aid – Parking Pilot	●	●	●	●
Radiator grille – AMG radiator grille with twin louvre	-	-	-	●
Radiator grille – diamond grille with pins in chrome and single louvre in high-gloss black with chrome inserts	-	●	●	-
Radiator grille – diamond grille with pins in high-gloss black and single silver-painted louvre with chrome inserts	●	-	-	-
Tailgate – EASY-PACK automatic powered tailgate (Shooting Brake only)	●	●	●	●
Wiper system – windscreen wipers with rain sensor with two sensitivity stages	●	●	●	●



View offers

- > Coupé
- > Shooting Brake



Book a test drive

- > Coupé
- > Shooting Brake
- > AMG



Find a Retailer



View the Range Guide

Standard equipment

Item	Sport	AMG Line	250 AMG	Mercedes-AMG CLA 45 4MATIC
Interior				
Air conditioning – air vents with black surround, red insert and cruciform nozzle	-	-	●	●
Air conditioning – air vents with chrome surround and cruciform nozzle	●	●	-	-
Air conditioning – THERMOTRONIC luxury automatic climate control, two-zone	●	●	●	●
Armrest – front, on centre console with fore/aft adjustment and contrast stitching with stowage compartment beneath	●	●	●	●
Dashboard – upper section in ARTICO leather ¹ with contrast stitching	○	○	○	○
Door sills – illuminated, with ‘AMG’ lettering in front	-	-	-	●
Door sills – illuminated, with ‘Mercedes-Benz’ lettering in front	●	●	●	-
Electronic key – chrome surround	●	●	●	●
Floor mats – with red stitched edging and ‘AMG’ lettering	-	●	-	●
Floor mats – with red stitched edging and ‘Sport’ lettering	-	-	-	-
Gearshift – AMG DRIVE UNIT with leather-trimmed gearshift	-	-	-	●
Gearshift – leather-trimmed with silver chrome trim	△	△	△	-
Glove compartment – illuminated	●	●	●	●
Instrument cluster – AMG instrument cluster with colour display and AMG menu	-	-	-	●
Instrument cluster – fluid level warning indicator for fuel, oil, coolant and washer fluid	●	●	●	●

Item	Sport	AMG Line	250 AMG	Mercedes-AMG CLA 45 4MATIC
Instrument cluster – outside temperature gauge	●	●	●	●
Instrument cluster – service indicator ASSYST	●	●	●	●
Instrument cluster – trip computer in multi-function display showing current fuel consumption	●	●	●	●
Instrument cluster – with four analogue dials and needles suspended in six o’clock position	●	●	●	●
Interior lighting – 12-colour ambient lighting	○	○	●	○
Interior lighting – courtesy (white) and warning (red) lights in front doors and boot lid	●	●	●	●
Interior lighting – footwell lights, front and rear	●	●	●	●
Interior lighting – lighting in stowage compartment	●	●	●	●
Interior lighting – rear with integrated reading lights and locator lighting	●	●	●	●
Interior lighting – single-colour ambient lighting in headrests	●	●	●	-
Interior lighting – single-colour ambient lighting in interior door handles	●	●	●	●
Interior lighting – sun visors with illuminated vanity mirrors for driver and front passenger	●	●	●	●
Pedals – brushed stainless steel sports pedals with rubber studs	-	●	●	●
Rear view mirror – auto-dimming	○	○	●	○



View offers

- > Coupé
- > Shooting Brake



Book a test drive

- > Coupé
- > Shooting Brake
- > AMG



Find a Retailer



View the Range Guide

Standard equipment

Item	Sport	AMG Line	250 AMG	Mercedes-AMG CLA 45 4MATIC
Interior (continued)				
Seat belts – designo seat belts in red	-	-	●	●
Seats – AMG Performance seats Driver and front passenger seats featuring more sharply contoured seat shape for enhanced lateral support, integrated head restraints and AMG badge in seat backrests	-	-	-	●
Seats – front seats with four-way lumbar support	○	○	○	△
Seats – front seats, heated	○	○	●	○
Seats – front seats, height adjustable	●	●	●	●
Seats – front seats, seat cushion angle adjustment	●	●	●	●
Seats – front seats, seat cushion length adjustment	●	●	●	-
Seats – rear seat backrests, split-folding (1/3:2/3)	●	●	●	●
Seats – sports seats with integrated head restraints	●	●	●	●
Stowage – load-securing rings in luggage compartment	●	●	●	●
Stowage – luggage compartment cover (Shooting Brake only)	●	●	●	●
Stowage – twin cup holder in centre console	●	●	●	●
Windows – electric windows (4)	●	●	●	●

Item	Sport	AMG Line	250 AMG	Mercedes-AMG CLA 45 4MATIC
Steering				
Steering – AMG speed-sensitive sports steering	-	-	●	●
Steering – Sports Direct Steering with speed-sensitive servo assistance and variable steering ratio	●	●	-	-
Steering column – manually adjustable for height and reach	●	●	●	●
Steering wheel – 3-spoke, 12-button multi-function steering wheel, trimmed in leather with silver chrome trim, perforated grip area and contrast stitching	●	-	-	-
Steering wheel – 3-spoke, 12-button multi-function sports steering wheel, trimmed in leather with perforated grip area, flattened bottom section and red contrast stitching	-	●	●	-
Steering wheel – 3-spoke, 12-button AMG performance steering wheel in nappa leather/DINAMICA microfibre	-	-	-	●



Item	Sport	AMG Line	250 AMG	Mercedes-AMG CLA 45 4MATIC
Paint, Trim and Upholstery				
Paint – non-metallic	●	●	●	●
Roof lining – black	●	●	●	●
Roof lining – grey	○	-	-	-
Trim – AMG design trim in black/red	-	-	-	●
Trim – light aluminium with longitudinal grain	-	●	●	-
Trim – sail pattern	●	-	-	-
Upholstery – ARTICO leather ¹ /Corumba cloth in chequered design	●	-	-	-
Upholstery – ARTICO leather ¹ /DINAMICA microfibre with contrast stitching	-	●	●	●
Communications and In-Car Entertainment				
7-inch tablet-style Media Display	●	●	●	●
Audio 20 radio/single CD – 6 speakers, telephone keypad, twin radio tuner (FM/AM), CD player (MP3/WMA/AAC/WAV compatible), Bluetooth® interface, 2 USB ports, SD card slot and pre-installation for Garmin® MAP PILOT	●	●	●	●
DAB digital radio tuner	○	○	○	●
Garmin® MAP PILOT navigation system	○	○	●	○
Media Interface Allows connection and control of portable media devices (e.g. MP3 player, USB storage media) via ports in the centre console (input only)	●	●	●	●

Item	Sport	AMG Line	250 AMG	Mercedes-AMG CLA 45 4MATIC
Safety and Assistance Systems				
Mercedes me connect (standard services) Including emergency call system (eCall), accident recovery, breakdown and maintenance management	●	●	●	●
Smartphone integration comprising Apple CarPlay™ Please check on www.apple.com/uk/ios/carplay/ for compatibility and approved apps. Certain features and apps require a 3G or 4G data connection. Control of features available through voice control and controller on centre console	●	●	●	●
Active bonnet – pedestrian safety measure which detects an impact and raises bonnet by 65 mm	●	●	●	●
Airbags – automatic front passenger airbag deactivation	●	●	●	●
Airbags – dual-stage, for driver and front passenger	●	●	●	●
Airbags – kneebag for driver	●	●	●	●
Airbags – sidebags for driver and front passenger (combined thorax/pelvis bag)	●	●	●	●
Airbags – windowbags, driver and front passenger	●	●	●	●
ATTENTION ASSIST – alerts the driver to increasing fatigue and inattention	●	●	●	●



View offers

- > Coupé
- > Shooting Brake



Book a test drive

- > Coupé
- > Shooting Brake
- > AMG



Find a Retailer



View the Range Guide

Standard equipment

Item	Sport	AMG Line	250 AMG	Mercedes-AMG CLA 45 4MATIC
Safety and Assistance Systems (continued)				
Braking – adaptive brake lights (flash under emergency braking)	●	●	●	●
Braking – AMG high-performance braking system with 3-stage ESP®	–	–	–	●
Braking – anti-lock braking system (ABS) with Brake Assist (BAS)	●	●	●	●
Braking – brake pad wear warning indicator	●	●	●	●
Braking – electric parking brake	●	●	●	●
Braking system – Active Brake Assist with HOLD function, Hill-Start Assist, priming and dry braking in the wet	●	●	●	●
Braking system – Adaptive Brake Assist	●	●	●	●
Crash-responsive emergency lighting	●	●	●	●
Electronic Stability Programme (ESP®) with Acceleration Skid Control (ASR)	●	●	●	●
ESP® Curve Dynamic Assist	●	●	●	–
ESP® Curve Dynamic Assist – AMG tuned	–	–	–	●
First-aid kit and warning triangle	●	●	●	●
Lamp failure indicator	●	●	●	●

Item	Sport	AMG Line	250 AMG	Mercedes-AMG CLA 45 4MATIC
Lights – Headlamp Assist automatic headlamp activation in dark conditions	●	●	●	●
Locking – Anti-Theft Protection package including anti-theft alarm system with tow-away protection and interior monitoring system	●	●	●	●
Locking – childproof locks, manually operated for rear doors and electrically operated for rear power windows	●	●	●	●
Locking – remote central locking and crash sensor with emergency opening function	●	●	●	●
Rear fog lamp	●	●	●	●
Seats – automatic child seat recognition sensor (pressure sensor)	●	●	●	●
Seats – ISOFIX and top-tether child seat fixing points in rear (two outer seats)	●	●	●	●
Seat belts – seat belt reminder, front and rear	●	●	●	●
Seat belts – rear, three-point (3)	●	●	●	●
Seats – seat occupancy sensor, front passenger seat	●	●	●	●
Tyres – TIREFIT with tyre inflation compressor	●	●	●	●
Tyres – tyre pressure monitoring system	●	●	●	●



View offers

- > Coupé
- > Shooting Brake



Book a test drive

- > Coupé
- > Shooting Brake
- > AMG







Find a Retailer



View the Range Guide

A revolution in style

Item	Notes							Basic RRP excl. VAT (£)	Total RRP incl. VAT (£)
Wheels									
18" alloy wheels (4) – 5-twin-spoke design, painted in himalaya grey 225/40 tyres			66R	●	-	-	-	-	-
18" alloy wheels (4) – 5-twin-spoke design, with high-sheen finish 225/40 tyres			R31	○	-	-	-	50.00	60.00
18" AMG alloy wheels (4) – 5-twin-spoke design, painted in with black with a high-sheen finish 225/40 tyres			612	-	●	-	-	-	-
18" AMG alloy wheels (4) – multi-spoke design, painted in titanium grey with high-sheen finish 225/40 tyres			791	-	○	-	-	100.00	120.00

Mercedes-AMG CLA 45 4MATIC

● Standard ○ Optional - Not available



View offers

- > Coupé
- > Shooting Brake



Book a test drive





- > Coupé
- > Shooting Brake
- > AMG



> Find a Retailer



> View the Range Guide

Item	Notes		Sport	AMG Line	250 AMG	Mercedes-AMG CLA 45 4MATIC	Basic RRP excl. VAT (£)	Total RRP incl. VAT (£)
Wheels (continued)								
18" AMG alloy wheels (4) – multi-spoke design, painted in high-gloss black with high-sheen rim 225/40 tyres			646	-	○	-	300.00	360.00
18" AMG alloy wheels (4) – 5-spoke design 235/40 tyres			774	-	-	●	-	-
19" AMG alloy wheels (4) – multi-spoke design, painted in black with high-sheen finish 235/35 tyres			693	-	-	○	495.83	595.00
18" AMG alloy wheels (4) – 10-spoke design, painted in titanium grey with high-sheen finish 235/35 tyres			756	-	-	●	-	-

● Standard ○ Optional - Not available



View offers

- > Coupé
- > Shooting Brake



Book a test drive

- > Coupé
- > Shooting Brake
- > AMG







> Find a Retailer



> View the Range Guide

Wheels

40

Item	Notes							Basic RRP excl. VAT (£)	Total RRP incl. VAT (£)
Wheels (continued)									
19" AMG alloy wheels (4) – multi-spoke design, painted in titanium grey with high-sheen finish 235/35 tyres			780	-	-	-	○	495.83	595.00
19" AMG alloy wheels (4) – cross-spoke design, painted in titanium grey with high-sheen finish 235/35 tyres			638	-	-	-	○	495.83	595.00
19" AMG alloy wheels (4) – multi-spoke design, painted in matt black with high-sheen rim 235/35 tyres			787	-	-	-	○	795.83	955.00
19" AMG alloy wheels (4) – cross-spoke design, painted in matt black with high-sheen rim 235/35 tyres			99R	-	-	-	○	795.83	955.00

Sport
AMG Line
250 AMG
Mercedes-AMG CLA 45 4MATIC

● Standard ○ Optional - Not available



View offers

- > Coupé
- > Shooting Brake



Book a test drive

- > Coupé
- > Shooting Brake
- > AMG



Find a Retailer



View the Range Guide

Steering wheels



Sport
(standard)
3-spoke multi-function sports steering wheel, trimmed in leather with perforated leather in grip area with black stitching



AMG Line and CLA 250 AMG
(standard)
3-spoke multi-function sports steering wheel, trimmed in leather with perforated leather in grip area with red contrast stitching and flattened bottom section



CLA 45 4MATIC
(standard)
AMG performance steering wheel in nappa leather/DINAMICA microfibre (code 281)



View offers

- > Coupé
- > Shooting Brake



Book a test drive

- > Coupé
- > Shooting Brake
- > AMG



Find a Retailer

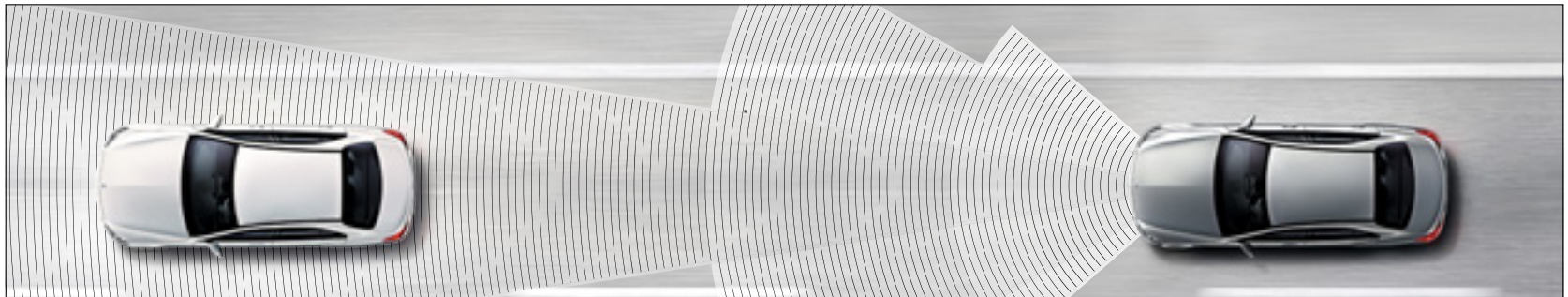


View the Range Guide

Lane Tracking package and Driving Assistance package

Both of these packages contain highly intelligent features to help you stay safe on the road – by making the drive more effortless, and to alert you to any emergency. The Lane Tracking package includes Blind Spot Assist and Lane Keeping Assist. Distance Pilot DISTRONIC is part of the Driving Assistance package only.

Item	Notes	Lane Tracking package £595.00 (code 22P)	Driving Assistance package £1,695.00 ¹ (code DP2)
Blind Spot Assist	Blind Spot Assist is able to detect vehicles in the blind spot and give the driver visible and audible warnings	■	■
Lane Keeping Assist	Lane Keeping Assist is able to detect when the vehicle is unintentionally drifting out of lane, duly warning the driver by means of pulsed vibrations through the steering wheel	■	■
Distance Pilot DISTRONIC	Distance Pilot DISTRONIC helps the driver to maintain a safe distance to the vehicle in front and so relieves strain on the driver, especially on long journeys or in a traffic jam	-	■
PRE-SAFE® anticipatory safety system	The renowned PRE-SAFE® safety system can 'sense' critical road situations and initiate preventive safety measures	-	■



Distance Pilot DISTRONIC

■ Included - Not included ¹Only in conjunction with automatic transmission



View offers

- > Coupé
- > Shooting Brake



Book a test drive

- > Coupé
- > Shooting Brake
- > AMG



Find a Retailer



View the Range Guide

Exclusive package



Exclusive package: sahara beige/black leather upholstery

The Exclusive package fills the interior of the CLA Sport model with even more luxurious touches. It includes heated front seats with four-way lumbar support, and a choice of lava black, hazelnut brown or sahara beige leather upholstery. Leather trim is featured on the gear lever, complemented by interior door panels in ARTICO leather¹ and floor mats with edging in the appointments colour. There is also enhanced functionality, providing convenient closing for the side windows using the car key.

Exclusive package (code P34) – designed and priced as a package, including items as listed below.

Sport

Total incl. VAT £1,970.00

Exclusive package comprises:

Floor mats with edging in the appointments colour

Heated front seats with four-way lumbar support

Roof lining – black²

Upper dash trim – ARTICO leather¹ with contrast stitching

Exclusive package trim and upholstery

Lava black

Hazelnut brown

Sahara beige



Trapezoid-cut aluminium



¹Man-made leather ²Grey roof lining is a no-cost option in conjunction with lava black (code 801) leather upholstery only



View offers

- > Coupé
- > Shooting Brake



Book a test drive

- > Coupé
- > Shooting Brake
- > AMG



Find a Retailer



View the Range Guide

AMG Exclusive package



The optional AMG Exclusive package creates an atmosphere of exceptional style for the AMG Line, 250 AMG and Mercedes-AMG CLA 45 4MATIC. It includes heated front seats with four-way lumbar support and seats in lava black leather upholstery with red perforations and stitching. ARTICO leather¹ trim with contrast stitching is featured on the upper dashboard, while light aluminium trim can be found on the lower dash.

AMG Exclusive package (code P39) – designed and priced as a package, including items as listed below.

AMG Line, 250 AMG and Mercedes-AMG CLA 45 4MATIC²

Total incl. VAT £1,640.00

AMG Exclusive package comprises:

Four-way lumbar support

Heated front seats

Roof lining – black

Seat belt guide optics in silver chrome-look trim (only available on Mercedes-AMG CLA 45 4MATIC)

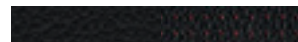
Upper dash trim – ARTICO leather¹ with contrast stitching

Exclusive package trim and upholstery

Lava black with red perforations

Light aluminium, longitudinal grain

AMG interior carbon fibre³



AMG Exclusive package: lava black leather upholstery with red perforations and stitching

Optional Lane Tracking package, Memory package, Mirror package and COMAND Online system shown ¹Man-made leather ²Only in conjunction with Memory package (code 275) ³Only available on Mercedes-AMG CLA 45 4MATIC



View offers

- > Coupé
- > Shooting Brake



Book a test drive

- > Coupé
- > Shooting Brake
- > AMG



Find a Retailer



View the Range Guide

AMG Aerodynamics package



This package adds breathtaking aerodynamic credentials to your Mercedes-AMG CLA 45. An enlarged front splitter in high-gloss black features at the front end, with black flics on either side of the apron. At the rear, an AMG spoiler lip comes in night black. Lateral airflow breakaway edges around the air intakes complete the look.

AMG Aerodynamics package (code B26) – designed and priced as a package, including items as listed below.

Mercedes-AMG CLA 45 4MATIC Total incl. VAT £735.00

AMG Aerodynamics package comprises:

AMG spoiler lip in night black

Additional flics on the front apron in high-gloss black

Lateral airflow breakaway edges around the simulated air outlets in the rear apron in high-gloss black

Larger front splitter in high-gloss black





View offers

- > Coupé
- > Shooting Brake



Book a test drive

- > Coupé
- > Shooting Brake
- > AMG



Find a Retailer



View the Range Guide

Optional equipment

Item	Notes					Basic RRP excl. VAT (£)	Total RRP incl. VAT (£)	
		Sport	AMG Line	250 AMG	Mercedes-AMG CLA 45 4MATIC			
AMG Performance Studio								
AMG Aerodynamics package AMG spoiler lip in night black Larger front splitter, lateral airflow breakaway edges around the simulated air outlets in rear apron and additional flics on front apron in high-gloss black		B26	-	-	-	0	612.50	735.00
AMG Driver's package This option includes an increase to your vehicle's electronically limited top speed (168 mph) and participation in one of the AMG BASIC-Training 'Power and Passion' events. The event is run by the AMG Driving Academy and held at a racetrack located in mainland Europe.	For further information on this or any other AMG Driving Academy training, please speak to your retailer or visit www.mercedes-amg.com/driving-academy	250	-	-	-	0	1,616.67	1,940.00
AMG DYNAMIC PLUS package AMG front axle differential lock AMG performance steering wheel AMG RIDE CONTROL sports suspension with Selective Damping		P71	-	-	-	0	1,662.50	1,995.00
AMG DINAMICA Cockpit package AMG steering wheel in full DINAMICA microfibre AMG trim in black DINAMICA microfibre		PAH	-	-	-	0	162.50	195.00
AMG carbon fibre exterior mirror housings		B28	-	-	-	0	1,025.00	1,230.00
AMG interior carbon fibre trim		H73	-	-	-	0	766.67	920.00



View offers

- > Coupé
- > Shooting Brake



Book a test drive

- > Coupé
- > Shooting Brake
- > AMG



> Find a Retailer



> View the Range Guide

Optional equipment

47

Item	Notes					Basic RRP excl. VAT (£)	Total RRP incl. VAT (£)	
		Sport	AMG Line	250 AMG	Mercedes-AMG CLA 45 4MATIC			
AMG Performance Studio (continued)								
AMG Performance exhaust system		U21	-	-	-	0	383.33	460.00
AMG RIDE CONTROL sports suspension		459	-	-	-	0	495.83	595.00
Brake calipers – painted red		U70	-	-	-	0	275.00	330.00
Option packages								
Load Compartment package 12 V socket in the rear Height adjustable load compartment floor Aluminium load compartment rails Folding stowage box under load compartment floor Lockable load compartment floor Net pocket in load compartment Rear seat backrests adjustable into cargo position (15° steeper)	Only available on Shooting Brake	942	○	○	○	○	454.17	545.00
Memory package Electrically adjustable driver and front passenger seats with four-way lumbar support Exterior passenger mirror – pivots down when reverse is selected Memory programme with three individually selectable settings	In conjunction with Exclusive package (code P34) or AMG Exclusive package (code P39)	275	○	○	○	-	658.33	790.00
			-	-	-	○	866.67	1,040.00
			○	○	○	-	525.00	630.00
Mirror package Automatically dimming interior and exterior mirrors Electrically folding exterior mirrors		P49	○	○	●	○	258.33	310.00



View offers

- > Coupé
- > Shooting Brake



Book a test drive

- > Coupé
- > Shooting Brake
- > AMG



> Find a Retailer



> View the Range Guide

Optional equipment

48

Item	Notes	30P	Sport	AMG Line	250 AMG	Mercedes-AMG CLA 45 4MATIC	Basic RRP excl. VAT (£)	Total RRP incl. VAT (£)
Option packages (continued)								
Stowage package Parcel net in front passenger footwell Parcel nets on driver and front passenger seat backrests Stowage boxes under front seats Sunglasses compartment in overhead control panel		30P	○	○	○	-	141.67	170.00
Suspension and Exterior								
AMG RIDE CONTROL sports suspension with Selective Damping Provides the option to adjust suspension settings between 'Comfort' and 'Sport' using the DYNAMIC SELECT switch. Additional 'Race' transmission mode designed for maximum driving dynamics	Included in AMG DYNAMIC PLUS package (code P71)	459	-	-	-	○	495.83	595.00
Adaptive Highbeam Assist	Only in conjunction with LED High Performance headlamps (code 631)	608	○	○	○	○	133.33	160.00
Driving modes – DYNAMIC SELECT with a choice of ECO, Comfort, Sport and Individual	Standard in conjunction with automatic transmission	859	○	●	●	●	66.67	80.00
KEYLESS-GO – keyless locking, unlocking and start of the vehicle		889	○	○	○	○	354.17	425.00
LED High Performance headlamps		631	○	●	●	●	637.50	765.00
Reversing camera with parking guidelines, 180° view		218	○	○	○	○	250.00	300.00
Selective Damping Provides the option to adjust suspension settings between 'Comfort' and 'Sport' using the DYNAMIC SELECT switch	Standard for Mercedes-AMG CLA 45 4MATIC with AMG DYNAMIC PLUS package (code P71)	459	-	○	○	○	495.83	595.00
Trailer coupling		550	○	-	-	-	675.00	810.00



Optional equipment

Item	Notes					Basic RRP excl. VAT (£)	Total RRP incl. VAT (£)	
		Sport	AMG Line	250 AMG	Mercedes-AMG CLA 45 4MATIC			
Paint, Trim and Upholstery								
designo polar silver magno		991U	○	○	○	○	1,495.83	1,795.00
Metallic paint		-	○	○	○	○	550.00	660.00
Omission of designo seat belts in red		U17	-	-	○	○	0.00	0.00
Roof lining – grey	Not in conjunction with black ARTICO leather¹/Maringá black fabric with blue highlights (code 371), leather in hazelnut brown or sahara beige (code 804 or 855)	58U	○	-	-	-		no-cost option
Comfort								
Ambient lighting – 12-colour		877	○	○	●	○	104.17	125.00
Four-way lumbar support	Included in Exclusive package (code P34) and AMG Exclusive package (code P39)	U22	○	○	○	-	133.33	160.00
Heated front seats	Included in Exclusive package (code P34) and AMG Exclusive package (code P39)	873	○	○	●	○	250.00	300.00
Heated windscreen wash system		875	○	○	○	○	100.00	120.00
Panoramic sliding sunroof		413	○	○	○	○	800.00	960.00
Privacy glass		840	○	●	●	●	191.67	230.00
Rear armrest with twin cup holder and through-loading facility		400	○	○	○	○	141.67	170.00
Rear dividing net – restricts movement of items from luggage compartment to passenger compartment	Only available on Shooting Brake in conjunction with Load Compartment package (code 942)	U40	○	○	○	○	120.83	145.00



View offers

- > Coupé
- > Shooting Brake



Book a test drive

- > Coupé
- > Shooting Brake
- > AMG



> Find a Retailer



> View the Range Guide

Optional equipment

50

Item	Notes	293	Sport	AMG Line	250 AMG	Mercedes-AMG CLA 45 4MATIC	Basic RRP excl. VAT (£)	Total RRP incl. VAT (£)
Safety and Assistance Systems								
Airbags – sidebags in rear			○	○	○	○	325.00	390.00
Communications and In-Car Entertainment								
8-inch Media Display	Standard with COMAND Online system (code 531)	857	○	○	○	○	166.67	200.00
COMAND Online system ¹ Includes Android Auto and Apple CarPlay, radio, Traffic Sign Assist, single CD/DVD, 8-inch Media Display, map navigation system with 3D map display, Live Traffic Information and European map data updates free of charge for the first three years, and LINGUATRONIC voice control. Mercedes me connect with standard and Remote Online services. Access to internet sites when vehicle is stationary, plus unrestricted use of Mercedes-Benz apps (internet-enabled mobile phone required) and in-car internet access for Facebook, internet radio, sending routes from Google Maps™ to the vehicle, news and weather reports. Also includes SD memory card slot	COMAND Online services are only available once a mobile phone is connected to the car via Bluetooth®. Please see www.mercedes-benz-mobile.com for a list of compatible phones and functionality. Before attempting to connect to COMAND Online we would advise that you contact your mobile phone service provider to confirm your mobile phone profile and data charges for tethered internet access. Please check on www.apple.com/uk/ios/carplay/ or www.android.com/intl/en_uk/auto for compatibility and approved apps	531	○	○	○	○	1,558.33	1,870.00
DAB digital radio tuner		537	○	○	○	●	350.00	420.00
Garmin® MAP PILOT navigation system	Not available with COMAND Online system (code 531)	357	○	○	●	○	412.50	495.00
Mercedes me connect (Remote Online) Onboard use of the remote and location services, e.g. geographic vehicle monitoring, vehicle location, remote door locking and unlocking, remote interrogation of the vehicle status. Remote Online subscription services are limited to three years from the initial registration, and can be extended at an additional cost	Standard with COMAND Online system (code 531)	11U	○	○	○	○	125.00	150.00

● Standard ○ Optional – Not available ¹COMAND Online functionality and Wi-Fi connectivity is dependent on a compatible cellular data connection. Please check with your local Mercedes-Benz Retailer on network compatibility



View offers

- > Coupé
- > Shooting Brake



Book a test drive

- > Coupé
- > Shooting Brake
- > AMG



Find a Retailer



View the Range Guide

Optional equipment

51

Item	Notes						Basic RRP excl. VAT (£)	Total RRP incl. VAT (£)
		810	Sport	AMG Line	250 AMG	Mercedes-AMG CLA 45 4MATIC		
Communications and In-Car Entertainment (continued)								
Surround sound system – Harman Kardon® Logic 7® with Dolby Digital 5.1 and DTS 11 high-performance speakers and additional amplifiers			○	○	○	○	566.67	680.00
Service Package								
Service Care Service Care allows you to spread the cost of servicing your new car in the Mercedes-Benz Retailer network. Taking out a Service Care plan ensures your servicing needs are taken care of by fully trained Mercedes-Benz Technicians with the added benefit of a Mercedes-Benz service history	Price is based on a monthly rate. Example given is for two services taken over 24 months or three services over 36 months. Further payment options are available. New Service Care prices apply only to vehicles up to 12 months old prior to first service. Prices effective from 3 May 2016	1	○	○	○	-	22.50	27.00
			-	-	-	○	29.17	35.00



View offers

- > Coupé
- > Shooting Brake



Book a test drive

- > Coupé
- > Shooting Brake
- > AMG



> Find a Retailer



> View the Range Guide

Genuine Accessories

We've developed a range of Accessories you can add to help personalise and enhance your CLA. Your local Mercedes-Benz Retailer can advise on fitting costs of Accessories, where applicable. Further information on our full range of Genuine Accessories can be found on the Mercedes-Benz UK website.



01 | Shallow boot tub

The boot tub is suitable for transporting shopping. The tub shape with its slightly raised edge is precision-tailored to the load area. Made from impact-resistant, non-split polypropylene, its structured surface holds the separately available stowage crate in place. Deep boot tub also available.

Basic RRP £72.50 (excl. VAT) **Total RRP £87.00 (incl. VAT)**

02 | Stowage crate

A secure hold for items which are prone to tip over or slide around, e.g. shopping bags. Adjustable partitioning elements allow crate to be divided into max. four sections. Optimum functionality only in conjunction with shallow boot tub.

Basic RRP £71.67 (excl. VAT) **Total RRP £86.00 (incl. VAT)**



View offers

- > Coupé
- > Shooting Brake



Book a test drive

- > Coupé
- > Shooting Brake
- > AMG



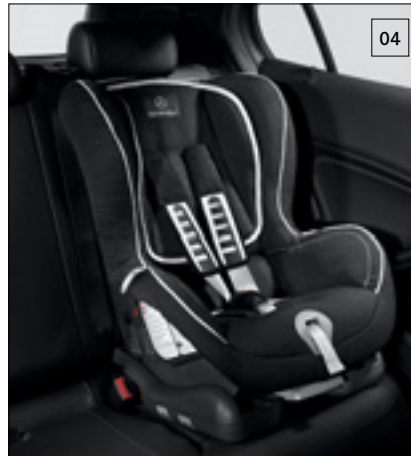
> Find a Retailer



> View the Range Guide



03



04

03 | All-season floor mats

Robust, washable synthetic material, designed for heavy use. Latest design with recessed areas and raised edge. With distinctive Mercedes-Benz star logo. Price for front and rear mats.

Basic RRP £73.34 (excl. VAT) **Total RRP £88.00 (incl. VAT)**

04 | DUO Plus child seat, with ISOFIX and automatic child seat recognition

Optimum safety for children between the ages of around 8 months and 4 years (9 to 18 kg). Fitted as standard with top tether, an additional belt for securing the head section, a height-adjustable harness, ventilation channels and ISOFIX attachment points. With automatic child seat recognition.

Adjustable tilt. Also available for ages 0+ (1 to 13 kg) and 3.5 to 12 years (15 to 36 kg).

Basic RRP £428.33 (excl. VAT) **Total RRP £449.75 (incl. VAT)**



05

05 | Concertina load sill protector

Protects the rear of the car from scratches when you're loading the vehicle and prevents dirt on the car from getting onto your clothes. Practical design – can be connected to reversible mat, shallow boot tub and deep boot tub.

Basic RRP £33.33 (excl. VAT) **Total RRP £40.00 (incl. VAT)**



View offers

- > Coupé
- > Shooting Brake



Book a test drive

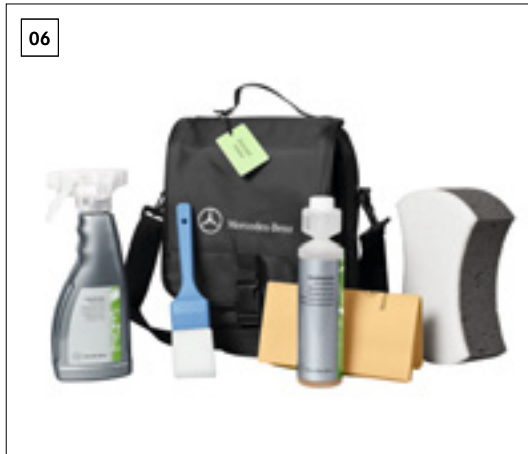
- > Coupé
- > Shooting Brake
- > AMG



Find a Retailer



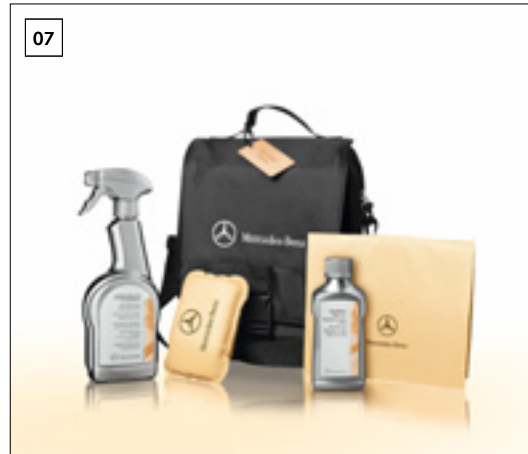
View the Range Guide



06 | Exterior Car Care Kit

The Mercedes-Benz Exterior Car Care Kit is a four-piece collection to keep the exterior of your car looking like it's come straight from the showroom. The bag contains car shampoo, wheel cleaner, sponge and polishing cloth.

Basic RRP £20.83 (excl. VAT) **Total RRP £25.00 (incl. VAT)**



07 | Interior Car Care Kit

The Mercedes-Benz Interior Car Care Kit is a four-piece collection enabling you to maintain a spotless showroom finish inside your car. The bag contains cabin care spray, interior glass cleaner, interior glass sponge and car cloth.

Basic RRP £20.83 (excl. VAT) **Total RRP £25.00 (incl. VAT)**



08 | Alustyle Quickfix carrier bars

Aluminium carrier bars, precision-tailored to the body of your CLA – the perfect basis for a range of Mercedes-Benz transport solutions: ski and snowboard rack, bicycle rack or roof boxes. Price for Coupé only.

Basic RRP £182.50 (excl. VAT) **Total RRP £219.00 (incl. VAT)**



View offers

- > Coupé
- > Shooting Brake



Book a test drive

- > Coupé
- > Shooting Brake
- > AMG



Find a Retailer



View the Range Guide

09



09 | Winter wheels and tyres

16" alloy wheels (4) – 10-spoke design.

Basic RRP 950.04 (excl. VAT) **Total RRP £1,140.05 (incl. VAT)**

10



10 | Winter wheels and tyres

17" alloy wheels (4) – 5-twin-spoke design. Includes Tyre Pressure Monitor.

Basic RRP £1,289.16 (excl. VAT) **Total RRP £1,547.00 (incl. VAT)**

11



11 | Mercedes-Benz roof box, 400 litres

Multi-purpose box. Compact length, impressive amount of space. Capacity approx. 400 litres. Opens on both sides. Single lock system. Gas-filled struts for easy opening and closing of lid. Straps to hold contents in place. Maximum load capacity 75 kg. Available in matt silver or metallic black.

Basic RRP £341.67 (excl. VAT) **Total RRP £410.00 (incl. VAT)**



View offers

- > Coupé
- > Shooting Brake



Book a test drive

- > Coupé
- > Shooting Brake
- > AMG



Find a Retailer



View the Range Guide

Colours and materials

Non-metallic paints

Standard



589 jupiter red



650 cirrus white

Metallic paints

Optional



191 cosmos black



787 mountain grey



990 orient bronze



761 polar silver



890U cavansite blue

designo paint

Additional-cost option



991U designo polar silver magno



Upholstery

Sport

ARTICO leather¹/Maringá fabric



371 black with blue highlights



381 black with white highlights²



378 crystal grey with white highlights²

Trim

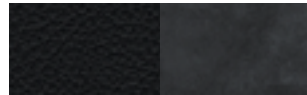
Sport



H81 sail pattern

AMG Line and 250 AMG

ARTICO leather¹/DINAMICA microfibre

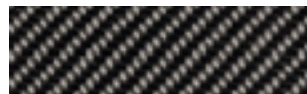


651 black with red contrast stitching

AMG Line and 250 AMG



H79 light aluminium, longitudinal grain



H73 AMG interior carbon fibre^{3,4}

Mercedes-AMG CLA 45 4MATIC

ARTICO leather¹/DINAMICA microfibre



651 black with red contrast stitching

Mercedes-AMG CLA 45 4MATIC



H90 AMG design in black/red



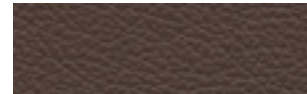
H92 AMG DINAMICA microfibre black³

Exclusive package³ (Sport)

Leather



801 lava black



804 hazelnut brown



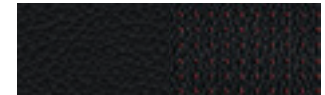
855 sahara beige/black

Exclusive package



739 trapezoid-cut aluminium

**AMG Exclusive package³
 (AMG Line, 250 AMG and
 Mercedes-AMG CLA 45 4MATIC)**
 Leather



811 lava black with red perforations

AMG Exclusive package



H79 light aluminium, longitudinal grain



H73 AMG interior carbon fibre^{3,4}

¹Man-made leather ²No-cost option ³Additional-cost option ⁴Only available on Mercedes-AMG CLA 45 4MATIC



View offers

- > Coupé
- > Shooting Brake



Book a test drive

- > Coupé
- > Shooting Brake
- > AMG



Find a Retailer



View the Range Guide

Trim and upholstery combinations

	Sport			AMG Line, 250 AMG and Mercedes-AMG CLA 45 4MATIC
	ARTICO leather ¹ /Maringá fabric			ARTICO leather ¹ /DINAMICA microfibre
	black with blue highlights (371)	black with white highlights (378)	crystal grey with white highlights (381)	black (651)
Dashboard				
Steering wheel	black	black	black	black
Upper dashboard trim	black	black	black	black
Lower dashboard trim	black	black	grey	black
Seats				
Seat cushion centre section	black with blue	black with white	grey with white	black with red contrast stitching
Side bolster trim	black	black	grey	black
Head restraint	black	black	grey	black
Seat belt	black	black	black	black/red ²
Doors				
Lower door trim	black	black	grey	black
Door pocket	black	black	grey	black
Roof lining	black/grey	black	black/grey	black
Floor covering				
Front and rear	black	black	black	black
Boot	black	black	black	black

¹Man-made leather ²Red seat belts on 250 AMG and Mercedes-AMG CLA 45 4MATIC



View offers

- > Coupé
- > Shooting Brake



Book a test drive

- > Coupé
- > Shooting Brake
- > AMG



Find a Retailer



View the Range Guide

Combination options

		ARTICO leather ¹ /Maringá fabric Sport			ARTICO leather ¹ /DINAMICA microfibre AMG Line, 250 AMG and CLA45 4MATIC	Exclusive package Sport	AMG Exclusive package AMG Line, 250 AMG and CLA45 4MATIC
		black with blue	black with white	crystal grey with white	black	lava black hazelnut brown	black leather with red perforations
Non-metallic paints (standard)							
	589 jupiter red	●	○	○	●	● △	●
	650 cirrus white	●	○	○	●	● ○	●
Metallic paints (optional)							
	191 cosmos black	●	●	●	●	● ○	●
	761 polar silver	●	●	●	●	● ○	●
	787 mountain grey	●	●	●	●	● ●	●
	890U cavansite blue	●	●	△	●	● ○	○
	990 orient bronze	●	●	△	●	● △	○
designo paint (additional-cost option)							
	991U designo polar silver magno ¹	●	●	●	●	● ○	●

● Recommended ○ Possible △ Not recommended - Not available ¹Man-made leather ¹Not available on Sport Please note that, owing to limitations of on-screen representation, paint colours may differ from those shown



View offers

- > Coupé
- > Shooting Brake



Book a test drive

- > Coupé
- > Shooting Brake
- > AMG



Find a Retailer



View the Range Guide

Technical data – Coupé

Model	Diesel engines			Petrol engines			
	CLA 200 d	CLA 220 d	CLA 220 d 4MATIC	CLA 180	CLA 250	CLA 250 4MATIC	CLA 45 4MATIC

Engine		CLA 200 d	CLA 220 d	CLA 220 d 4MATIC	CLA 180	CLA 250	CLA 250 4MATIC	CLA 45 4MATIC
Total displacement	cc	2,143	2,143	2,143	1,595	1,991	1,991	1,991
Arrangement/cylinders/valves		in-line/4/16	in-line/4/16	in-line/4/16	in-line/4/16	in-line/4/16	in-line/4/16	in-line/4/16
Power ¹	hp (kW) at rpm	136 (100)/ 3,200–4,000	177 (130)/ 3,400–4,000	177 (130)/ 3,400–4,000	122 (90)/5,000	218 (160)/5,500	211 (155)/5,500	381 (265)/6,000
Torque ¹	Nm at rpm	300/1,400–3,000	350/1,400–3,400	350/1,400–3,400	200/1,250–4,000	350/1,200–4,000	350/1,200–4,000	450/2,250–5,000

Transmission		CLA 200 d	CLA 220 d	CLA 220 d 4MATIC	CLA 180	CLA 250	CLA 250 4MATIC	CLA 45 4MATIC
6-speed manual		●	–	–	●	●	–	–
7G-DCT 7-speed automatic		○	●	●	○	○	●	–
AMG SPEEDSHIFT DCT 7-speed sports transmission		–	–	–	–	–	–	●

Weights and capacities		man.	auto.	auto.	auto.	man.	auto.	man.	auto.	auto.	auto.
Kerb weight	kg	1,500	1,525	1,525	1,580	1,395	1,430	1,460	1,490	1,490	1,585
Perm. Gross Vehicle Weight	kg	2,005	2,005	2,005	2,060	1,920	1,920	1,965	1,965	1,965	2,075

● Standard ○ Optional – Not available



Model	Diesel engines				Petrol engines						
	CLA 200 d	CLA 220 d	CLA 220 d 4MATIC	CLA 180	CLA 250	CLA 250 4MATIC	CLA 45 4MATIC				
Weights and capacities (continued)	man.	auto.	auto.	auto.	man.	auto.	man.	auto.	auto.	auto.	
Boot capacity	l	470	470	470	470	470	470	470	470	470	470
Towing capacity – unbraked braked	kg	750 1,500	750 1,500	750 1,500	750 1,500	695 1,200	715 1,200	745 1,500	745 1,500	750 1,500	–
Fuel tank capacity/ of which reserve	l	50/6	50/6	50/6	56/6	50/6	50/6	56/6	56/6	56/6	56/8
Turning circle	m	11.00	11.00	11.00	11.00	11.00	11.00	11.00	11.00	11.00	11.04
Performance		man.	auto.	auto.	auto.	man.	auto.	man.	auto.	auto.	auto.
Acceleration 0–62 mph	sec	9.5	9.0	7.7	7.7	9.0	8.7	6.5	6.4	6.4	4.2
Top speed	mph	137	137	144	143	130	130	155 ²	155 ²	155 ²	155 ²
Fuel consumption^{4,5}	mpg	man.	auto.	auto.	auto.	man.	auto.	man.	auto.	auto.	auto. 18"/19"
Urban		52.3	57.7	55.4	49.6	37.2	39.8	31.7	34.9	32.5	30.7/29.4
Extra-urban ⁶		80.7	78.5	78.5	67.3	64.2	64.8	52.3	56.5	47.9	50.4/47.1
Combined		67.3	70.6	67.3	58.9	51.4	52.3	42.2	45.6	41.5	40.9/38.7



Model	Diesel engines				Petrol engines						
	CLA 200 d	CLA 220 d	CLA 220 d 4MATIC	CLA 180	CLA 250	CLA 250 4MATIC	CLA 45 4MATIC				
CO₂ emissions⁴	g/km										
	man.	auto.	auto.	auto.	man.	auto.	man.	auto.	auto.	auto.	auto.
Emissions standard	EU6	EU6	EU6	EU6	EU6	EU6	EU6	EU6	EU6	EU6	EU6
18" alloy wheels (225/40 tyres)	109	105	106	123	128	124	-	-	-	-	-
18" alloy wheels (235/40 tyres)	-	-	-	-	-	-	156	143	160	162	162
19" alloy wheels (235/35 tyres)	-	-	-	-	-	-	156	143	160	160	171

Insurance

Group rating	22-23	22-23	26-27	26-27	23	23	32	32	33	45
--------------	-------	-------	-------	-------	----	----	----	----	----	----

Insurance ratings may vary depending on model line and specification. Please refer to <http://www.thatcham.org/abigrouprating/> for further details

¹Figures according to Directive 80/1269/EEC in the currently applicable version ²Electronically limited ³All figures are based on a standard specification with the smallest tyre size

⁴The choice of wheels and transmission may affect CO₂ emissions and corresponding Road Fund Licence ⁵EUDC: extra-urban driving cycle. Testing procedures adhere to EU Directive 93/116

The figures on pages 60-63 are correct at time of publication. Please refer to the government website for latest data - <http://carfueldata.direct.gov.uk/>

All measurements in millimetres. The dimensions shown are mean values and apply to standard-specification, unladen vehicles



View offers
 > Coupé
 > Shooting Brake



Book a test drive

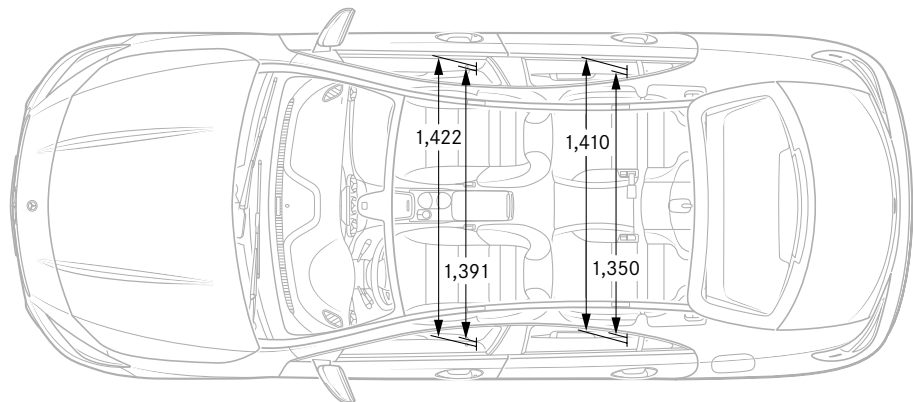
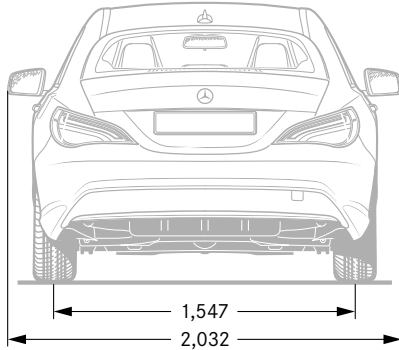
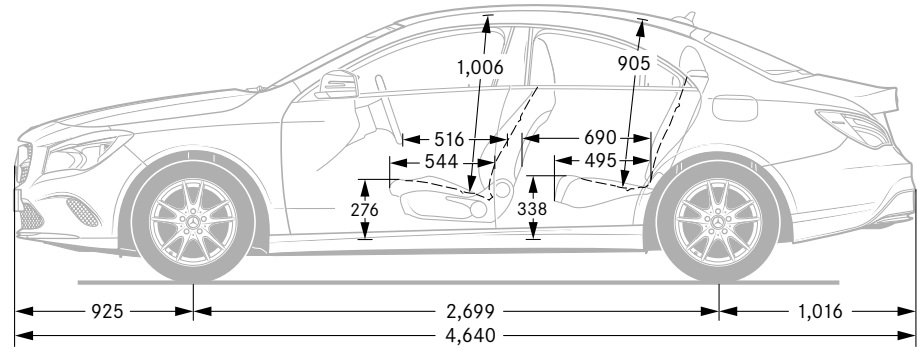
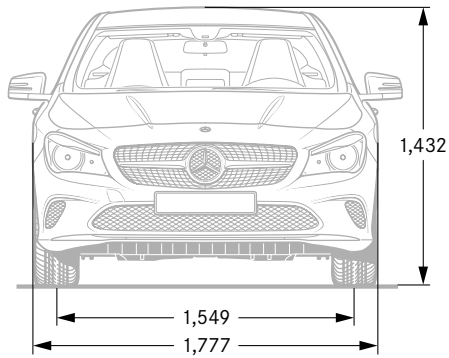
> Coupé
 > Shooting Brake
 > AMG



> Find a Retailer



> View the Range Guide





View offers

- > Coupé
- > Shooting Brake



Book a test drive

- > Coupé
- > Shooting Brake
- > AMG



Find a Retailer



View the Range Guide

Technical data – Shooting Brake

Model	Diesel engines				Petrol engines				
	CLA 200 d	CLA 220 d	CLA 220 d 4MATIC	CLA 180	CLA 250 4MATIC	CLA 45 4MATIC			
Engine									
Total displacement	cc	2,143	2,143	2,143	1,595	1,991	1,991		
Arrangement/cylinders/valves		in-line/4/16	in-line/4/16	in-line/4/16	in-line/4/16	in-line/4/16	in-line/4/16		
Power ¹	hp (kW) at rpm	136 (100)/3,200–4,000	177 (130)/3,600–3,800	177 (130)/3,600–3,800	122 (90)/5,000	211 (155)/5,500	381 (265)/6,000		
Torque ¹	Nm at rpm	300/1,400–3,000	350/1,400–3,400	350/1,400–3,400	200/1,250–4,000	350/1,200–4,000	450/2,250–5,000		
Transmission									
6-speed manual		●	–	–	●	–	–		
7G-DCT 7-speed automatic		○	●	●	○	●	–		
AMG SPEEDSHIFT DCT 7-speed sports transmission		–	–	–	–	–	●		
Weights and capacities									
		man.	auto.	auto.	auto.	man.	auto.	auto.	auto.
Kerb weight	kg	1,530	1,555	1,555	1,615	1,430	1,460	1,555	1,615
Perm. Gross Vehicle Weight	kg	2,050	2,050	2,050	2,100	1,955	1,955	2,050	2,120

● Standard ○ Optional – Not available



Model	Diesel engines				Petrol engines			
	CLA 200 d	CLA 220 d	CLA 220 d 4MATIC	CLA 180	CLA 250 4MATIC	CLA 45 4MATIC		
Weights and capacities (continued)	man.	auto.	auto.	auto.	man.	auto.	auto.	auto.
Boot capacity – seats up seats down	495 1,354	495 1,354	495 1,354	495 1,354	495 1,354	495 1,354	495 1,354	495 1,354
Towing capacity – unbraked braked	750 1,500	750 1,500	750 1,500	750 1,500	715 1,200	730 1,200	–	–
Fuel tank capacity/ of which reserve	50/6	50/6	50/6	56/6	50/6	50/6	56/6	56/8
Turning circle	11.00	11.00	11.00	11.00	11.00	11.00	11.00	11.04
Performance	man.	auto.	auto.	auto.	man.	auto.	auto.	auto.
Acceleration 0–62 mph	9.7	9.2	7.8	7.8	9.1	8.8	6.7	4.3
Top speed	134	134	142	140	130	130	149	155
Fuel consumption^{3,4}	man.	auto.	auto.	auto.	man.	auto.	auto.	auto. 18"/19"
Urban	52.3	58.9	57.7	47.9	36.7	39.2	32.1	30.7/29.4
Extra-urban ⁵	78.5	78.5	74.3	67.3	60.1	60.1	48.7	50.4/47.1
Combined	65.7	68.9	67.3	58.9	48.7	50.4	40.9	40.9/38.7



Model	Diesel engines				Petrol engines					
	CLA 200 d	CLA 220 d	CLA 220 d 4MATIC	CLA 180	CLA 250 4MATIC	CLA 45 4MATIC				
CO₂ emissions³	g/km		man.	auto.	auto.	auto.	man.	auto.	auto.	auto.
Emissions standard	EU6	EU6	EU6	EU6	EU6	EU6	EU6	EU6	EU6	EU6
18" alloy wheels (225/40 tyres)	111	106	108	126	134	130	-	-	-	-
18" alloy wheels (235/40 tyres)	-	-	-	-	-	-	160	162	162	162
19" alloy wheels (235/35 tyres)	-	-	-	-	-	-	143	171	171	171

Insurance

Group rating	22-23	22-23	26-27	27	23	23	33	45
--------------	-------	-------	-------	----	----	----	----	----

Insurance ratings may vary depending on model line and specification. Please refer to <http://www.thatcham.org/abigrouprating/> for further details

¹Figures according to Directive 80/1269/EEC in the currently applicable version ²Electronically limited ³All figures are based on a standard specification with the smallest tyre size

⁴The choice of wheels and transmission may affect CO₂ emissions and corresponding Road Fund Licence ⁵EUDC: extra-urban driving cycle. Testing procedures adhere to EU Directive 93/116

The figures on pages 64-67 are correct at time of publication. Please refer to the government website for latest data - <http://carfueldata.direct.gov.uk/>

All measurements in millimetres. The dimensions shown are mean values and apply to standard-specification, unladen vehicles



View offers
 > Coupé
 > Shooting Brake



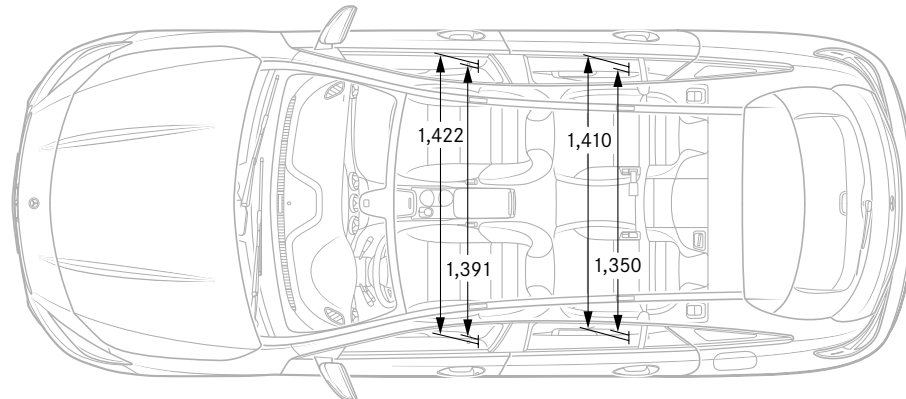
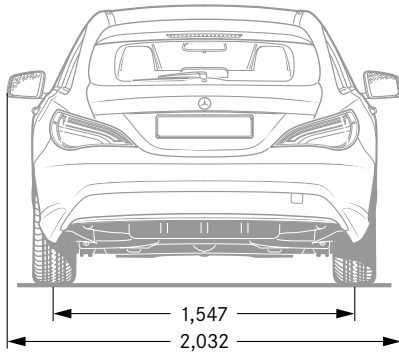
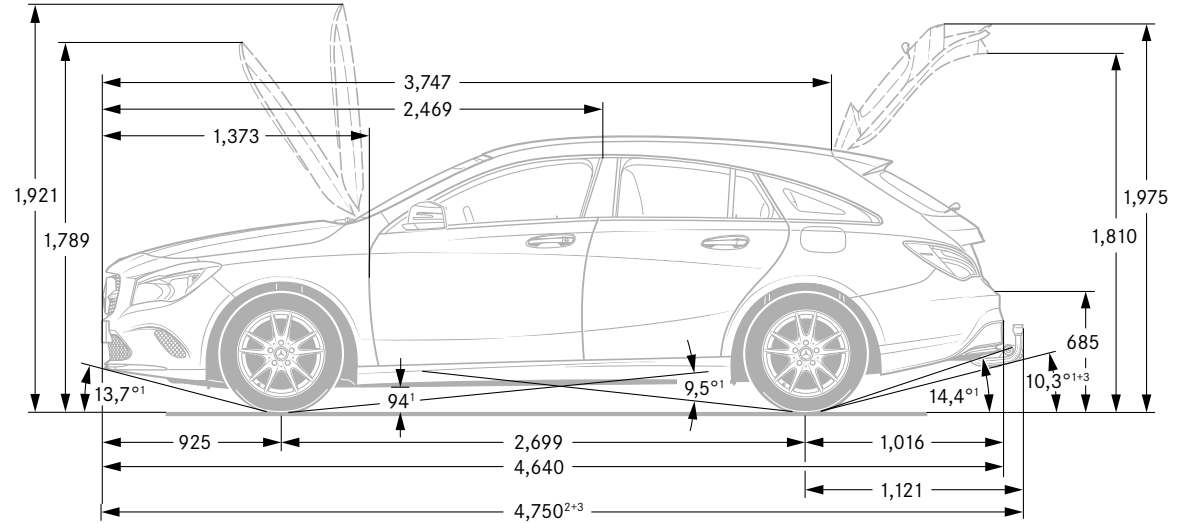
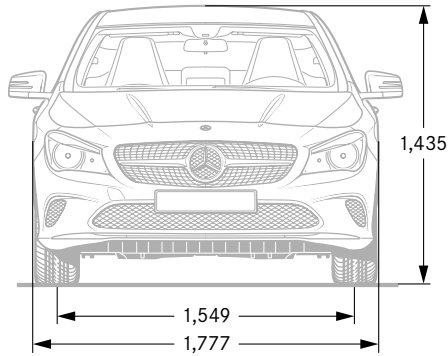
Book a test drive
 > Coupé
 > Shooting Brake
 > AMG



> Find a Retailer



> View the Range Guide





View offers

- > Coupé
- > Shooting Brake



Book a test drive

- > Coupé
- > Shooting Brake
- > AMG



> Find a Retailer



> View the Range Guide

Road Fund Licence



All road vehicle registrations are subject to Vehicle Excise Duty (Road Fund Licence), which varies in accordance with the vehicle's CO₂ emissions. A first year rate of Vehicle Excise Duty applies to new cars on their first year of registration. For the second and subsequent years a standard rate for each taxation band will apply.¹ The table below shows the bands (A–M) created by the DVLA and the corresponding Road Fund Licence. CO₂ emissions are listed in the technical data on pages 62 and 66, and the relevant Excise Duty is reflected in the on-the-road prices on pages 10–12.

Band	CO ₂ emissions	First year rate (£)	Standard rate (£)
A	up to 100 g/km	0.00	0.00
B	101 to 110 g/km	0.00	20.00
C	111 to 120 g/km	0.00	30.00
D	121 to 130 g/km	0.00	110.00
E	131 to 140 g/km	130.00	130.00
F	141 to 150 g/km	145.00	145.00
G	151 to 165 g/km	185.00	185.00
H	166 to 175 g/km	300.00	210.00
I	176 to 185 g/km	355.00	230.00
J	186 to 200 g/km	500.00	270.00
K	201 to 225 g/km	650.00	295.00
L	226 to 255 g/km	885.00	500.00
M	over 255 g/km	1,120.00	515.00

¹For further information on vehicle taxation please refer to <http://carfueldata.direct.gov.uk/>



View offers

- > Coupé
- > Shooting Brake



Book a test drive

- > Coupé
- > Shooting Brake
- > AMG



Find a Retailer



View the Range Guide

Services and insurance

Mercedes-Benz Service Care

We believe that servicing costs should be as flexible and affordable as possible for your CLA, which is why we offer Service Care, an easy way to budget for all your servicing costs. It spreads your bills into manageable payments based on whether you have a new or used Mercedes-Benz.

With Service Care we guarantee the price of parts and labour for up to four services and safeguard against any further inflation. It also covers the cost of any additional items including brake fluid, spark plugs, air filters, fuel filters and screen wash.

You can choose either to add your servicing costs into your monthly spend or pay the full amount in a one-off payment, giving you peace of mind that they are taken care of for the period of the plan.

To receive a personalised Service Care plan recommendation visit the Service Care Calculator at servicecarerates.mercedes-benz.co.uk

Warranty and breakdown cover

Every Mercedes-Benz comes with a three-year unlimited mileage warranty against manufacturing or material defects¹ and up to 30 years warranty against perforation due to corrosion from the inside out.² What's more, it's also covered by Mercedes-Benz Roadside Assistance – a unique package comprising up to 30 years pan-European breakdown assistance.²

Insurance

Since our name is synonymous with reliability, who better to trust with your motor insurance? Mercedes-Benz Insurance provides a motor insurance policy specifically designed to give you the cover you would expect from Mercedes-Benz. For a motor insurance quotation, call **0345 600 2180**.*

¹Applies to vehicles sold by Mercedes-Benz in the UK to its franchised Retailers ²Subject to full Terms and Conditions, dependent on date of registration, available upon request Mercedes-Benz Motor Insurance is underwritten by Aviva Insurance UK Limited. Credit provided, subject to status, by Mercedes-Benz Financial Services UK Ltd, MK15 8BA *For joint protection, calls may be recorded and/or monitored. All calls charged at local rate. We may decline to quote in some circumstances



View offers

- > Coupé
- > Shooting Brake



Book a test drive

- > Coupé
- > Shooting Brake
- > AMG



Find a Retailer



View the Range Guide

The Mercedes that thinks and acts for you.

Imagine if...

...you could connect with your Mercedes-Benz?

With Mercedes me connect, you can; with Remote Online services¹ that include trip planning, maintenance management and vehicle tracking, plus more.

Getting connected is easy. Just set up your Mercedes me account and get in touch with your Mercedes-Benz Retailer to connect your vehicle to your profile to access your Mercedes me connect services.

...you knew beforehand that you need to stop for fuel?

Simply check the fuel level and mileage range from your phone wherever you are. You can also check tyre pressure and washer fluid level. (For electric cars, you can check battery charge state.)

...your Mercedes could tell you where it's parked?

You no longer need to ask yourself where you left your car; with Mercedes me connect you can locate your car from your smartphone or tablet within a mile radius.



1. PARKED VEHICLE LOCATOR
2. VEHICLE TRACKER

3. REMOTE RETRIEVAL OF VEHICLE STATUS
4. PRE-ENTRY CLIMATE CONTROL FOR ELECTRIC DRIVE AND PLUG-IN HYBRID



View offers

- > Coupé
- > Shooting Brake



Book a test drive

- > Coupé
- > Shooting Brake
- > AMG



> Find a Retailer



> View the Range Guide

...you could lock your Mercedes, even if you're miles away?

The uncertainty of whether you've forgotten to lock the car is only human. To make sure your Mercedes-Benz is safe and secure, you can simply lock the car remotely via your PC/Mac, tablet or smartphone.

...your Mercedes told you when your service is due?

Being connected means essential data is constantly sent to your Mercedes-Benz Retailer so they know when it is time for a service. Your Retailer can then contact you with a tailor-made service quote.

...your Retailer already knows which parts need replacing?

As surprising as this sounds, with teliagnostics your Retailer can recognise remotely if certain parts are due for replacement, contacting you to book an appointment and making sure the relevant parts are in stock when you arrive, getting you back on the road as quickly as possible.

...you could just push a button to deal with a breakdown?

Should your car break down, with a simple press of the button everything is taken care of – from breakdown assistance to vehicle recovery.

...your Mercedes called for help?

Your Mercedes comes with an SOS button. Press it if you need urgent help and you will be contacted by the emergency response centre.² In the event of an accident where airbags or seatbelt tensioners have been activated, a call is placed automatically. Your GPS position is sent to the response teams to initiate rescue efforts.³

The Mercedes that thinks and acts for you.

Contact your Retailer to get connected, or go to www.mercedes.me for more details.

¹This is available as an option in conjunction with Audio20 CD, and standard with COMAND Online. Remote Online is standard with electric drive and plug-in hybrid. Use of the Remote Online equipment option is limited to three years from first registration of the vehicle and can then be extended at extra cost.

²A call is placed via the car's sim card, rather than the customer relying on their mobile phone.

³This feature is still available to customers without Mercedes me connect services. The customer is not required to accept the terms and conditions on the portal to activate this feature. For all other features the customer will have to accept terms and conditions on the portal to activate them.



View offers

- > Coupé
- > Shooting Brake



Book a test drive

- > Coupé
- > Shooting Brake
- > AMG



Find a Retailer



View the Range Guide

Mercedes-Benz Finance

Why should you finance with Mercedes-Benz?

At Mercedes-Benz we believe a great driving experience should be matched by an equally great ownership experience. That is why we put just as much thought, time and effort into designing our finance options, our service plans and our insurance cover as we do into our vehicles.

We are not in the business of simply providing a loan to fund the purchase of your dream vehicle. We look on it as a journey that we take with you, from the moment you choose your new Mercedes-Benz, to helping you in choosing your next one.

If you would like to find out more about any of our current offers, simply call into your local Mercedes-Benz Retailer where one of our Business Managers will be more than happy to talk you through anything you need to know.

Helping you find the right solution.

You should find our finance packages are more convenient than a traditional personal loan because:

- Funds are immediately available – no waiting for cheques or loans to clear.
- There is no security required – either against your home or other assets.
- We have clear and transparent rates – the APR we quote is the APR you get.
- We have friendly Business Managers – experts in vehicle finance who can talk you through all of your plans in detail.

One of our most popular finance products is Mercedes-Benz Agility (our Personal Contract Purchase product). We also offer Contract Hire, Operating Lease and Hire Purchase solutions. If you would like to find out more about these speak to your Retailer or visit www.mercedes-benz.co.uk/fandi.

Mercedes-Benz Agility (our PCP product).

At the start of an Agility agreement, you put down a deposit and decide the term of your agreement and your annual mileage. You will be advised of the Guaranteed Future Value, which offers you the reassurance of knowing exactly what you will need to pay to own the vehicle outright in the future (this is known as the Optional Purchase Payment).

Throughout your agreement you simply pay your agreed monthly payments and when the agreement comes to an end you either purchase, hand back or part-exchange your vehicle.





View offers

- > Coupé
- > Shooting Brake



Book a test drive

- > Coupé
- > Shooting Brake
- > AMG



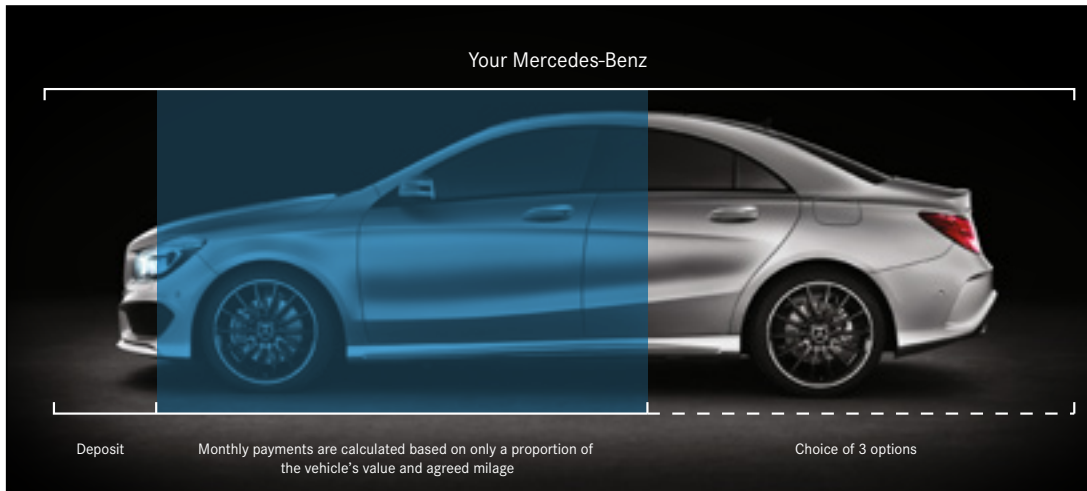
Find a Retailer



View the Range Guide

Agility features:

- Fixed regular payments mean you can easily budget.
- Payments are based only on a proportion of the vehicle's value, keeping your monthly payments lower.
- Our Guaranteed Future Value avoids the risk of unplanned depreciation of your vehicle.
- You defer your ownership decision until the end of the agreement.



At the end of your agreement you have three options to choose from.

Option 1: Purchase your Mercedes-Benz.

Purchase your Mercedes-Benz by paying the Optional Purchase Payment and Purchase Activation Fee.¹ This will complete the purchase of your Mercedes-Benz, leaving you free to simply enjoy your vehicle.

Option 2: Hand back your Mercedes-Benz.

If you decide to return your vehicle to us, it must be in line with our Vehicle Return Standards,* as vehicle condition, excess mileage and other charges may be payable.

Option 3: Part-Exchange for a new vehicle.

Purchase your Mercedes-Benz by paying the Optional Purchase Payment and Purchase Activation Fee.¹ This will complete the purchase of your Mercedes-Benz, leaving you free to part-exchange for a new vehicle.

¹Please note the 'Purchase Activation Fee' of £10 will be debited from your account *To find out more information about our Vehicle Return Standards please visit <http://mercedes-benz.co.uk/vrs>



View offers

- > Coupé
- > Shooting Brake



Book a
test drive

- > Coupé
- > Shooting Brake
- > AMG



> Find a Retailer



> View the Range Guide

Follow us on the following social media channels:



<https://www.facebook.com/MercedesBenzUk>



<https://twitter.com/mercedesbenzUK>



<https://www.youtube.com/mercedesbenzUK>



<https://instagram.com/mercedesbenzUK>

Prices effective from 1 June 2016 Production for 2017 Model Year (identified by code 807).

Information correct at time of publication.

Prices and specifications are subject to change without prior notice.

MBC/X177PL/0616