



> View offers



> Book a test drive



> Find a Retailer



> View the Range Guide

GLC Coupé



Effective from 1 June 2017 Production.

Mercedes-Benz





> View offers



> Book a test drive



> Find a Retailer



> View the Range Guide

Contents

Model prices	8	Standard equipment	22	Colours and materials	43
Finance offers	9	Wheels	27	Technical data	47
Sport and AMG Line	13	Lane Tracking package	29	Road Fund Licence	51
Mercedes-AMG GLC43 4MATIC	17	Driving Assistance package	30	Services and benefits	52
Premium and Premium Plus equipment lines	19	Night package	31	Mercedes me	53
Pricing summary for model and equipment lines	21	Optional equipment	32	Mercedes-Benz Finance and Insurance	55
		Genuine Accessories	37		



> View offers



> Book a test drive



> Find a Retailer



> View the Range Guide

The hard facts to melt your heart

At Mercedes-Benz we appreciate the importance of detail. Over the following pages you'll find model prices and a breakdown of standard and optional equipment, as well as details of the comprehensive services and benefits that are available to every Mercedes-Benz driver.

See Mercedes-Benz in a new light. Now is the time to get yourself behind the wheel of a GLC Coupé. Choose from a number of attractive finance offers. Please see pages 9–12 for further details, or visit www.mercedes-benz.co.uk/offers

Of course, some things have to be experienced to be truly appreciated, such as the qualities that set a Mercedes-Benz apart. Which is why we'd like to invite you for a test drive at your local Mercedes-Benz Retailer. Alternatively, you can make arrangements by visiting www.mercedes-benz.co.uk/testdrive

For more information visit www.mercedes-benz.co.uk or call 0333 222 0500.



> View offers



> Book a test drive



> Find a Retailer



> View the Range Guide



Some of the model features, optional extras and colours shown may not be available, or may only be available in a different specification.



> View offers



> Book a test drive



> Find a Retailer



> View the Range Guide



Some of the model features, optional extras and colours shown may not be available, or may only be available in a different specification.



> View offers



> Book a test drive



> Find a Retailer



> View the Range Guide



Some of the model features, optional extras and colours shown may not be available, or may only be available in a different specification.



> View offers



> Book a test drive



> Find a Retailer



> View the Range Guide



Some of the model features, optional extras and colours shown may not be available, or may only be available in a different specification.

[View offers](#)[Book a test drive](#)[Find a Retailer](#)[View the Range Guide](#)

Model prices

Engine	Model line	Transmission	CO ₂	Basic RRP excl. VAT (£)	Total RRP incl. VAT (£)	Road Fund Licence (£) ¹	Rec. OTR price (£) ²	P11D value (£)	BiK tax rate 2017/18 (%)
GLC 220 d 4MATIC Diesel – 2,143 cc, 4-cylinder, 170 hp/125 kW	Sport	9G-TRONIC PLUS 9-speed automatic	131	33,683.33	40,420.00	200.00	41,335.00	41,080.00	28
	AMG Line	9G-TRONIC PLUS 9-speed automatic	143	34,929.17	41,915.00	200.00	42,830.00	42,575.00	30
GLC 250 d 4MATIC Diesel – 2,143 cc, 4-cylinder, 204 hp/150 kW	Sport	9G-TRONIC PLUS 9-speed automatic	131	34,645.83	41,575.00	200.00	42,490.00	42,235.00	28
	AMG Line	9G-TRONIC PLUS 9-speed automatic	143	35,891.67	43,070.00	200.00	43,985.00	43,730.00	30
GLC 350 d 4MATIC Diesel – 2,987 cc, 6-cylinder, 258 hp/190 kW	Sport	9G-TRONIC PLUS 9-speed automatic	161	38,725.00	46,470.00	500.00	47,685.00	47,130.00	34
	AMG Line	9G-TRONIC PLUS 9-speed automatic	169	39,970.83	47,965.00	500.00	49,180.00	48,625.00	35
Mercedes-AMG GLC 43 4MATIC Petrol – 2,996 cc, 6-cylinder, 367 hp/270 kW	-	9G-TRONIC PLUS 9-speed automatic	192	41,650.00	49,980.00	1,200.00	51,895.00	50,640.00	37

¹A different first year rate of Vehicle Excise Duty (Road Fund Licence) applies for new cars. Please refer to page 51 for the relevant rate for the second and subsequent years

²The recommended on-the-road price includes the Road Fund Licence applicable to the standard model plus delivery charge (£635.00 incl. VAT), new vehicle registration fee (£55.00) and number plates (£25.00 incl. VAT). VAT is calculated at the standard rate of 20%



> View offers



> Book a test drive



> Find a Retailer



> View the Range Guide

Mercedes-Benz Finance

Even the finance offer is beautifully put together



GLC 220d 4MATIC AMG Line Coupé with optional metallic paint (representative example)

36 monthly payments of ¹	£439.00
Customer deposit	£7,999.00
On-the-road price	£43,430.00
Retailer deposit contribution	£843.17
Optional purchase payment ²	£23,075.00
Amount of credit	£34,587.83
Duration of agreement	36 months
Total amount payable ³	£47,731.17
Purchase activation fee ²	£10.00
APR	5.0%
Fixed interest rate	4.91%
Excess mileage	14.4p per mile



Example offers – 5.0% APR Representative

	Automatic	Metallic	On-the-road price	Retailer deposit contribution	Customer deposit	36 monthly payments of ¹
GLC 250 d 4MATIC AMG Line Coupé	●	○	£44,585.00	£843.17	£7,999.00	£449.67

● Standard equipment ○ Optional equipment included in the price

Mercedes-Benz Service Care

- Mercedes-Benz trained Technicians
- Maintained by Mercedes-Benz Retailers
- Meets requirements of Mercedes-Benz Agility finance agreement

Mercedes-Benz Motor Insurance

- 24/7 UK accident recovery
- We use Mercedes-Benz GenuineParts
- To qualify for up to 10% discount online, go to www.mercedes-benz.co.uk/motorinsurance
- Alternatively, call Mercedes-Benz Motor Insurance now on **0345 600 2180⁴** for an annual quote

We may decline to quote in some circumstances. Mercedes-Benz Motor Insurance is underwritten by Aviva Insurance Limited

Content relating to finance is promoted by Mercedes-Benz Finance. Your Retailer may offer finance on behalf of other companies.

Finance offer based on GLC Coupé MY17.5. Orders/credit approvals on selected GLC Coupé models only, between 1 April and 30 June 2017, registered by 30 September 2017; excluding Mercedes-AMG models.

Some combinations of features/options may not be available. Please contact your local Mercedes-Benz Retailer for availability

¹Based on a Mercedes-Benz Agility agreement. Vehicle condition, excess mileage and other charges may be payable. Quotations available on request for alternative contract lengths and mileages. Guarantees may be required.

Credit provided, subject to status, by Mercedes-Benz Finance, MK15 8BA

²Payable if you exercise the option to purchase the car

³Includes optional purchase payment, purchase activation fee and Retailer deposit contribution (where applicable) ⁴Calls are charged at local rate and may be recorded



> View offers



> Book a test drive



> Find a Retailer



> View the Range Guide

Mercedes-Benz Finance

It comes with a specification list worth exploring



Mercedes-AMG GLC 43 4MATIC Coupé with optional metallic paint (representative example)

36 monthly payments of ¹	£647.86
Customer deposit	£7,838.38
On-the-road price	£52,495.00
Optional purchase payment ²	£27,425.00
Amount of credit	£44,656.62
Duration of agreement	36 months
Total amount payable ³	£58,596.34
Purchase activation fee ²	£10.00
APR	5.7%
Fixed interest rate	5.56%
Excess mileage	15.6p per mile



Example offer – 5.7% APR Representative

	Automatic	Metallic	On-the-road price	Customer deposit	36 monthly payments of ¹
Mercedes-AMG GLC 43 4MATIC Coupé	●	○	£52,495.00	£7,838.38	£647.86

● Standard equipment ○ Optional equipment included in the price

Mercedes-Benz Service Care

- Mercedes-Benz trained Technicians
- Maintained by Mercedes-Benz Retailers
- Meets requirements of Mercedes-Benz Agility finance agreement

Mercedes-Benz Motor Insurance

- 24/7 UK accident recovery
- We use Mercedes-Benz GenuineParts
- To qualify for up to 10% discount online, go to www.mercedes-benz.co.uk/motorinsurance
- Alternatively, call Mercedes-Benz Motor Insurance now on **0345 600 2180⁴** for an annual quote

We may decline to quote in some circumstances. Mercedes-Benz Motor Insurance is underwritten by Aviva Insurance Limited

Content relating to finance is promoted by Mercedes-Benz Finance. Your Retailer may offer finance on behalf of other companies.

Finance offer based on GLC Coupé MY17.5. Orders/credit approvals on selected Mercedes-AMG GLC43 4MATIC models only, between 1 April and 30 June 2017, registered by 30 September 2017; excluding non-Mercedes-AMG models. Some combinations of features/options may not be available. Please contact your local Mercedes-Benz Retailer for availability

¹Based on a Mercedes-Benz Agility agreement. Vehicle condition, excess mileage and other charges may be payable. Quotations available on request for alternative contract lengths and mileages. Guarantees may be required.

Credit provided, subject to status, by Mercedes-Benz Finance, MK15 8BA

²Payable if you exercise the option to purchase the car

³Includes optional purchase payment, purchase activation fee and Retailer deposit contribution (where applicable)

⁴Calls are charged at local rate and may be recorded



> View offers



> Book a test drive



> Find a Retailer



> View the Range Guide

GLC Coupé Sport





The GLC Coupé Sport is brimming with ingredients to enhance the sporty exterior: with sophisticated highlights all round, it comes with chrome trim and bold 18" alloy wheels painted in vanadium silver, as well as a set of eye-catching tailpipes. While the stylish LED High Performance headlamps come with integral LED daytime running lamps, you'll also enjoy intelligent features once inside. The latest Garmin® MAP PILOT navigation system and

the Active Parking Assist with PARKTRONIC and reversing camera will not only help guide you to your destination but also assist you in parking your GLC Coupé Sport. The system helps to find a suitable space to park and actively manoeuvres the vehicle into the space, relieving the driver of steering and braking. Meanwhile, heated front seats and the interior lighting package add to the sophisticated atmosphere on board.

Exterior

Mirror package – electrically folding mirrors and automatically dimming exterior driver's mirror and rear-view mirror

18" alloy wheels – 5-spoke design, painted vanadium silver

Active Parking Assist with PARKTRONIC and reversing camera

Chrome trim – front, side and rear

Headlamps – LED High Performance headlamps with integral LED daytime running lamps

Sports suspension with sporty tuning for improved handling and driving dynamics

Visible tailpipe exhaust trim integrated into rear bumper

Interior

Interior Lighting package – lighting of footwells, door handle recesses, as well as rear reading lamps (LED) and courtesy lamps in all doors

Garmin® MAP PILOT navigation system

Seats – front, heated

Trim – black ash wood

Trim and Upholstery

Black ash wood look



ARTICO leather¹ – black



ARTICO leather¹ – silk beige/black



¹Man-made leather



> View offers



> Book a test drive



> Find a Retailer



> View the Range Guide

GLC Coupé AMG Line



Vehicle shown features optional LED Intelligent Light System with Adaptive Highbeam Assist Plus (code 641)



The GLC Coupé AMG Line takes sportiness to the highest level, courtesy of our AMG performance experts. First, you'll notice the AMG bodystyling and the 19" AMG alloy wheels painted in titanium grey. The interior continues the athletic theme with seats in ARTICO leather,¹ AMG sports pedals and AMG floor mats with embroidered 'AMG' lettering. The AMG sports steering wheel with its flattened bottom section gives you a firm grip and allows for sporty handling.

AMG Line upgrade – designed and priced as a package, including all Sport equipment plus additional items as listed below.

Upgrade price (from Sport)

Total incl. VAT² £1,495.00

Exterior

19" AMG alloy wheels – 5-twin-spoke design, painted titanium grey

AMG bodystyling – front apron, rear apron and side skirts

Radiator grille with integrated star – diamond grille design, chrome pins

Interior

AMG sports pedals in brushed stainless steel with rubber studs

Instrument cluster with two tube-design round dials

Steering wheel – 3-spoke multifunction AMG steering wheel in black nappa leather with flattened bottom section, chrome inserts and perforated leather in grip area

Upholstery – AMG floor mats with edging and embroidered 'AMG' lettering

Upholstery – ARTICO leather¹

Upholstery – black roof lining

Trim and Upholstery

Black ash wood look



ARTICO leather¹ – black





> View offers



> Book a test drive



> Find a Retailer



> View the Range Guide

Mercedes-AMG GLC 43 4MATIC





The Mercedes-AMG joins the GLC Coupé line-up. The only petrol model, this V6 GLC 43 4MATIC combines powerful performance with sporty looks. The 'BITURBO 4MATIC' lettering points to all-wheel drive for superior driving dynamics, matched by bicolour 19" AMG alloy wheels in a 5-twin-spoke design. AMG bodystyling, 'AMG' lettering on the front brake calipers and on the distinctive diamond grille also reflect AMG's style in typical athletic

fashion. The interior theme is characterised by an aluminium trim set against black with red highlights. It features red contrast stitching on the ARTICO leather¹/DINAMICA microfibre sports seats and on the ARTICO leather¹ dashboard, red seat belts and floor mats with black leather edging, AMG logo and red piping.

Exterior

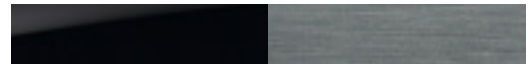
- 19" AMG alloy wheels – 5-twin-spoke design, bicolour
- AMG bodystyling – front apron with distinctive air intakes, AMG side sill panels and AMG rear apron with diffuser look
- 'AMG' lettering on front brake calipers
- AMG spoiler lip in vehicle colour
- 'BITURBO 4MATIC' lettering on front wings
- Black mirror housings
- Diamond radiator grille with chrome pins and 'AMG' lettering

Interior

- AMG boot logo in central screen
- ARTICO leather¹ dashboard with red contrast stitching
- ARTICO leather¹/DINAMICA microfibre upholstery with red contrast stitching
- Floor mats – with black leather edging, red piping and AMG logo
- Front door sill panels with 'AMG' lettering
- Red seat belts

Trim and Upholstery

High-gloss black with aluminium door inlays



ARTICO leather¹/DINAMICA microfibre – black with red contrast stitching



¹Man-made leather



> View offers



> Book a test drive



> Find a Retailer



> View the Range Guide

Premium and Premium Plus equipment lines



Ambient lighting



COMAND Online system with touchpad



Memory package



Gliding glass sunroof



Burmester® surround sound system



Traffic Sign Assist

Why not look over our equipment lines to enhance and personalise your GLC Coupé? If you want to increase your comfort and add the best in entertainment to the Sport, AMG Line and Mercedes-AMG GLC 43 4MATIC, the Premium equipment lines do just that. The Premium equipment line features ambient lighting; the KEYLESS-GO Comfort package for effortless entry, exit and starting; the Memory package for the front seats; and a glass sunroof to brighten up the cabin. The Premium Plus equipment line contains the same features as the Premium equipment line, plus the highly

sophisticated Burmester® surround sound system and COMAND Online with touchpad, an 8.4-inch high-resolution colour display, navigation with 3D map display and internet connectivity.

Upgrade price – includes all Sport, AMG Line and Mercedes-AMG GLC 43 equipment plus additional items as listed below.

Premium **Total incl. VAT £1,495.00**
Premium Plus **£2,795.00**

Item	Notes	Premium (code DP0)	Premium Plus (code DP1)
Ambient lighting	LED lighting located in door trim, side of centre console, front door sills, cup holders, footwells, door handle recesses and overhead panel. Five dimming levels and three colours: solar (amber), polar (ice blue) and neutral (white)	■	■
KEYLESS-GO Comfort package	Offering automatic powered boot closing, keyless start and hands-free access which allows contactless, fully automatic opening and closing of the boot lid by performing a kicking movement under the rear bumper	■	■
Memory package	Driver's seat, front passenger seat, steering column – electrically adjustable with memory. Includes exterior mirror with parking position	■	■
Sliding glass sunroof	The electric sunroof provides pleasant, draught-free air circulation in the passenger compartment. As it is made of glass, the sunroof also gives the interior of the vehicle a brighter feel. A movable headlining affords protection against the sun	■	■
Burmester® surround sound system	13 speakers and a 9-channel amplifier with total output of 590 W (7 × 50 W and 2 × 120 W)	–	■
COMAND Online system with touchpad	8.4-inch high-resolution colour display, touchpad, hard disk drive (HDD) navigation with 3D map display, Live Traffic Information and European map data updates free of charge for the first three years. Single CD/DVD, Speed Limit Assist and LINGUATRONIC voice control. Mercedes me connect services, emergency call system (eCall) and access to internet sites when vehicle is stationary, plus unrestricted use of Mercedes-Benz apps (internet-enabled mobile phone required). Integrated WLAN hotspot for onboard access of WLAN-enabled devices. Also includes 10 GB music register and MP3 compatibility	–	■



Pricing summary for model and equipment lines

Model	Transmission	Recommended OTR price (£) ¹								
		Sport	Sport Premium	Sport Premium Plus	AMG Line	AMG Line Premium	AMG Line Premium Plus	Mercedes-AMG	Mercedes-AMG Premium	Mercedes-AMG Premium Plus
GLC 220 d 4MATIC	9G-TRONIC PLUS 9-speed automatic	41,335.00	42,830.00	44,130.00	42,830.00	44,325.00	45,625.00	-	-	-
GLC 250 d 4MATIC	9G-TRONIC PLUS 9-speed automatic	42,490.00	43,985.00	45,285.00	43,985.00	45,480.00	46,780.00	-	-	-
GLC 350 d 4MATIC	9G-TRONIC PLUS 9-speed automatic	47,685.00	49,180.00	50,480.00	49,180.00	50,675.00	51,975.00	-	-	-
Mercedes-AMG GLC 43 4MATIC	9G-TRONIC PLUS 9-speed automatic	-	-	-	-	-	-	51,895.00	53,390.00	54,690.00

¹The recommended on-the-road price includes the Road Fund Licence applicable to the standard model plus delivery charge (£635.00 incl. VAT), new vehicle registration fee (£55.00) and number plates (£25.00 incl. VAT). VAT is calculated at the standard rate of 20%



> View offers



> Book a test drive



> Find a Retailer



> View the Range Guide

Standard equipment



Reversing camera



EASY-PACK automatic powered tailgate



KEYLESS-GO starting function



Lockable luggage compartment floor



THERMATIC automatic climate control



DYNAMIC SELECT



Item	Sport	AMG Line	Mercedes-AMG GLC43 4MATIC
Transmission and Suspension			
4MATIC permanent four-wheel drive with torque distribution of 45:55 (front/rear)	●	●	●
9G-TRONIC PLUS 9-speed automatic transmission with steering column gear selector, DIRECT SELECT steering wheel gearshift paddles and SPEEDTRONIC cruise control with variable speed limiter	●	●	●
AIR BODY CONTROL air suspension for front and rear axles with continuously adjustable damping	-	-	●
DYNAMIC SELECT with a choice of driving modes: 'Comfort', 'Eco', 'Sport', 'Sport+' and 'Individual'	●	●	●
ECO start/stop function	●	●	●
Sports suspension tuned for improved handling and driving dynamics	●	●	-
Exterior			
Mirror package - electrically folding mirrors and automatically dimming exterior driver's mirror and rear-view mirror	●	●	●
AMG bodystyling - front apron, rear apron and side skirts	-	●	●
Badging - 'BITURBO 4MATIC' lettering on front wings	-	-	●
Brake calipers - with 'Mercedes-Benz' lettering and perforated front brake discs	-	●	●
Chrome trim - front, side and rear	●	●	●

Item	Sport	AMG Line	Mercedes-AMG GLC43 4MATIC
Diesel Particulate Filter (DPF)	●	●	-
EASY-PACK powered tailgate The EASY-PACK boot lid can be opened and closed at the touch of a button for more convenient loading and unloading of the boot	●	●	●
Exterior mirrors - heated and electrically adjustable	●	●	●
Fuel tank - 50 litres	●	●	-
Fuel tank - 66 litres (standard in conjunction with GLC350d engine)	○	○	●
Headlamp Assist - automatic headlamp activation	●	●	●
Headlamps - LED High Performance headlamps with integral LED daytime running lamps	●	●	●
Privacy glass - dark glass from B-pillar backwards	●	●	●
Radiator grille with integrated star - diamond grille design, chrome pins	-	●	●
Radiator grille with integrated star - diamond grille design, black pins	●	-	-
Rain-sensing windscreen wipers	●	●	●
Tail lamps - LED	●	●	●
Tinted glass all round - single-layer safety glass	●	●	●
Visible tailpipe exhaust trim integrated into rear bumper	●	●	●

**Standard equipment**

24

Item	Sport	AMG Line	Mercedes-AMG GLC43 4MATIC
Interior			
Interior Lighting package – lighting of footwells, door handle recesses, as well as rear reading lamps (LED) and courtesy lights in all doors, illuminated vanity mirrors	●	●	●
Stowage package – including tensioning strap in centre console stowage compartment, two rolled-up fluorescent jackets in stowage pockets in front door panels, map pockets on front seat backs, retaining net on luggage compartment floor, collapsible box, lockable luggage compartment floor, 12 V socket and power release for rear seat backrests	●	●	●
EASY-PACK load compartment cover (removable)	●	●	●
Electric windows (4) – one-touch opening and closing, including obstruction sensors	●	●	●
Floor mats – AMG floor mats with edging and embroidered ‘AMG’ lettering	–	●	–
Floor mats – black with ‘AMG’ lettering and red piping	–	–	●
Floor mats – velour mats in interior colour Coloured the same as the car’s appointments, the velour floor mats fit in perfectly with the high-quality interior and effectively protect the footwell against soiling	●	–	–
Front door sill panels with ‘Mercedes-Benz’ lettering	●	●	–
Front door sill panels with ‘AMG’ lettering	–	–	●
Instrument cluster with 5.5-inch TFT multifunction display	●	●	●

Item	Sport	AMG Line	Mercedes-AMG GLC43 4MATIC
KEYLESS-GO starting function	●	●	●
Outside temperature display, rear seat belt status indicator	●	●	●
Seats – front, electric adjustment (backrest, height and seat cushion inclination) with four-way electric lumbar support and manual seat cushion depth adjustment (6 cm)	●	●	●
Seats – front, heated	●	●	●
Sports pedals in brushed stainless steel with rubber studs	–	●	●
Stowage – double cup holder in centre console	●	●	●
Stowage – front armrest	●	●	●
Stowage – illuminated and lockable glove compartment	●	●	●
Sun visors with illuminated vanity mirrors	●	●	●
THERMATIC – automatic climate control	●	●	●



Item	Sport	AMG Line	Mercedes-AMG GLC43 4MATIC
Steering			
Steering – Direct-Steer speed sensitive steering	●	●	●
Steering column – manually adjustable for height and reach	●	●	●
Steering wheel – 3-spoke multifunction AMG steering wheel in black nappa leather with flattened bottom section and chrome inserts and perforated leather in grip area	-	●	●
Steering wheel – 3-spoke multifunction steering wheel, trimmed in leather	●	-	●
Paint, Trim and Upholstery			
Paint – non-metallic	●	●	●
Trim – black ash wood look	●	●	○
Trim – high-gloss black with aluminium	-	-	●
Upholstery – ARTICO leather ¹	●	●	-
Upholstery – ARTICO leather ¹ /DINAMICA microfibre with red contrast stitching	-	-	●
Upholstery – ARTICO leather ¹ dashboard with red contrast stitching	-	-	●

Item	Sport	AMG Line	Mercedes-AMG GLC43 4MATIC
Safety and Assistance Systems			
Active bonnet – pedestrian safety measure which detects an impact and raises bonnet	●	●	●
Active Parking Assist with PARKTRONIC Active Parking Assist controls steering inputs automatically to help you manoeuvre into a parking space. PARKTRONIC's 12 ultrasonic sensors in the front and rear bumpers provide a visible and audible warning to the driver when parking	●	●	●
Adaptive brake lights	●	●	●
ADAPTIVE BRAKE system with HOLD function and dry braking in the wet	●	●	●
Alarm system with immobiliser and interior protection	●	●	●
ATTENTION ASSIST Continuously analyses driver behaviour and steering movements. If patterns are recognised which characterise drowsiness, the driver is prompted to take a break, and an audible warning is sounded	●	●	●
Automatic child seat recognition sensor	●	●	●
COLLISION PREVENTION ASSIST PLUS The driver is given a visual warning if the distance from a vehicle in front is inadequate. On detecting the danger of a collision there is an acoustic warning, driver braking can be assisted and, if the driver fails to react, the speed can be reduced autonomously. Autonomous partial braking only occurs if the driver fails to react and is travelling at a speed range between 4–65 mph speeds for moving objects and 4–31 mph for stationary objects	●	●	●



Item	Sport	AMG Line	Mercedes-AMG GLC43 4MATIC
Safety and Assistance Systems (continued)			
Dual-stage airbags – driver and front passenger; driver kneebag and windowbags for driver, front passenger and rear passengers	●	●	●
Electric parking brake	●	●	●
Electronic Stability Programme (ESP®) with Curve Dynamic Assist and Crosswind Assist For greater driving safety and stability, in particular when accelerating on bends; counters understeer by one-sided braking action. Detects sudden, strong gusts of wind and helps the driver stay in lane by means of targeted braking	●	●	●
ISOFIX child seat attachment points with top tether in rear (two outer seats)	●	●	●
Remote boot release	●	●	●
Reversing camera	●	●	-
Service indicator ASSYST	●	●	●
TIREFIT tyre-sealant kit	●	●	●
Tyre pressure monitoring system	●	●	●

Item	Sport	AMG Line	Mercedes-AMG GLC43 4MATIC
Communications and In-Car Entertainment			
Audio 20 CD with integrated Media Interface and Bluetooth® interface with hands-free telephony and audio streaming for music transmission	●	●	●
DAB digital radio tuner	●	●	●
Garmin® MAP PILOT navigation system with Live Traffic Information Operation via controller or voice control. SD card navigation with instructions shown on 7-inch high-resolution colour display and in the instrument cluster. Includes 3D views with visualisation of roads and buildings as well as junction and lane assistants, making it easy for drivers to orientate themselves. Spoken instructions are emitted through vehicle's built-in speakers. Software and map can be updated online	●	●	●
High-resolution 7-inch multimedia colour display	●	●	●
Mercedes me connect (standard services) Including emergency call system (eCall), accident recovery, breakdown and maintenance management	●	●	●
Pre-wiring for Garmin® MAP PILOT navigation system	●	●	●
Speakers with Frontbass (5)	●	●	●
Two USB ports in centre console	●	●	●



> View offers



> Book a test drive



> Find a Retailer






> View the Range Guide

Wheels

27

A revolution in style

Item	Notes		Sport	AMG Line	Mercedes-AMG GLC43 4MATIC	Basic RRP excl. VAT (£)	Total RRP incl. VAT (£)
Wheels							
18" alloy wheels (4) – 5-spoke design, painted vanadium silver 235/60 tyres			R96	●	-	-	-
19" AMG alloy wheels (4) – 5-twin-spoke design, painted titanium grey front: 235/55 tyres rear: 255/50 tyres	Not in conjunction with optional Night package (code P55)		RTA	-	●	-	-
19" AMG alloy wheels (4) – 5-twin-spoke design, bicolour front: 235/55 tyres rear: 255/50 tyres	Only in conjunction with optional Night package (code P55)		RTB	-	△	-	Included in Night package Standard on Mercedes-AMG GLC43 4MATIC

● Standard ○ Optional - Not available △ Available only in conjunction with, or as part of, an option package



> View offers



> Book a test drive



> Find a Retailer



> View the Range Guide

Wheels

28

Item	Notes		92R	-	○	-	Basic RRP excl. VAT (£)	Total RRP incl. VAT (£)
Wheels (continued)								
20" AMG alloy wheels (4) – multi-spoke design, painted titanium grey front: 255/45 tyres rear: 285/40 tyres	Not in conjunction with optional Night package (code P55)		92R	-	○	-	495.83	595.00
20" AMG alloy wheels (4) – multi-spoke design, bicolour front: 255/45 tyres rear: 285/40 tyres	Only in conjunction with optional Night package (code P55)		93R	-	○	○	495.83	595.00
21" AMG alloy wheels (4) – 5-twin-spoke design, bicolour front: 255/45 tyres rear: 285/40 tyres			684	-	-	○	995.83	1,195.00

Sport
AMG Line
Mercedes-AMG GLC43 4MATIC

● Standard ○ Optional - Not available



> View offers



> Book a test drive



> Find a Retailer



> View the Range Guide

Lane Tracking package



Blind Spot Assist



Lane Keeping Assist

The Lane Tracking package includes Blind Spot Assist and Lane Keeping Assist – highly intelligent features to help you stay safe on the road by making the drive more effortless, and to alert you to any emergency.

Lane Tracking package (code 22P) – designed and priced as a package, including items as listed below.

Sport and AMG Line and Mercedes-AMG GLC 43 4MATIC

Total incl. VAT £595.00

Lane Tracking package comprises:

Blind Spot Assist	Visible warning in exterior mirrors if a vehicle is detected in blind spot, audible warning if indicating to move out of lane
Lane Tracking Assist	Can warn a driver who is unintentionally drifting out of lane



Driving Assistance package

This comprehensive package includes many advanced features to help keep you safe on the road: Active Blind Spot Assist monitors the obscure area to the side and rear. The innovative driver assistance system DISTRONIC PLUS cruise control helps to automatically maintain a safe distance from the vehicle ahead. Active Lane Keeping Assist is able to recognise when the vehicle is unintentionally drifting out of its lane, and duly warns the driver with pulsed vibrations on the steering wheel. Plus the renowned PRE-SAFE® safety system can detect critical road situations and initiate preventive safety measures.



Active Blind Spot Assist

Driving Assistance package (code 23P) – designed and priced as a package, including items as listed below.

Sport and AMG Line and

Mercedes-AMG GLC 43 4MATIC

Total incl. VAT £1,695.00

Item	Notes
Active Blind Spot Assist	Displays a warning light in the exterior mirrors if another vehicle is detected in the blind spot. If a lane change is attempted with another vehicle in the blind spot, the system warns the driver and helps prevent an imminent collision by one-sided braking intervention
Active Lane Keeping Assist	Detects signs of inadvertent drifting out of lane and warns the driver by vibrating the steering wheel and, if necessary, will trigger one-sided braking intervention
BAS PLUS with Cross-Traffic Assist	If a critical situation is recognised and the driver applies the brakes, BAS PLUS can increase the brake pressure according to the situation, ideally preventing a collision with other vehicles or pedestrians
DISTRONIC PLUS with Steering Assist and Stop&Go Pilot	DISTRONIC PLUS is a radar-assisted cruise control that helps the driver to maintain a safe distance from the vehicle ahead, even when braking to a standstill. Steering Assist tracks road markings and the path of the vehicle ahead to keep the vehicle on track
PRE-SAFE® Brake with pedestrian detection	When the danger of a collision with another vehicle or a pedestrian is recognised, PRE-SAFE Brake gives the driver a visual and acoustic warning. If there is no reaction, the system can reduce the vehicle speed autonomously – right up to full emergency braking
PRE-SAFE PLUS	Initiates occupant prevention measures if a rear-end collision is imminent, including activating the hazard lights, reversible belt tensioning, adjustment of passenger seat positions and closure of windows



Night package



How to lend your GLC Coupé dramatic effect? Simply add the Night package. Available for the GLC Coupé AMG Line and Mercedes-AMG GLC 43 4MATIC, black design details add distinct character to the exterior. Front and rear apron are black entirely, as are the roof rails and weatherstrip. You will also discover the louvre in the front grille to be high-gloss black, as are the exterior mirrors. Viewed from the side your eyes will naturally be drawn to matching black window strips all round, complemented by 19" bicolour 5-twin-spoke wheels (available only when choosing the Night package). Black tailpipe trim is featured on the GLC 43 4MATIC only.

Night package (code P55) – designed and priced as a package, including items as listed below.

AMG Line and Mercedes-AMG GLC 43 4MATIC Total incl. VAT £595.00

Night package comprises:

19" alloy wheels (4) – 5-twin-spoke design, bicolour (code RTB) (AMG Line only)

Black chrome-plated tailpipe trim elements (Mercedes-AMG GLC 43 4MATIC Coupé only)

Black window strips

Front and rear apron with trim in high-gloss black

Radiator grille with integrated star and single louvre in high-gloss black with chrome inserts, high-gloss black exterior mirrors, beltline trim strips, roof rails and weatherstrip





> View offers



> Book a test drive



> Find a Retailer



> View the Range Guide

Optional equipment



360° camera



AIR-BALANCE package



ARTICO leather¹ dashboard



Head-up display



Running boards



Tow bar

¹Man-made leather



Optional equipment

33

Item	Notes					Basic RRP excl. VAT (£)	Total RRP incl. VAT (£)
		Sport	AMG Line	Mercedes-AMG GLC43 4MATIC			
Suspension							
AIR BODY CONTROL air suspension for front and rear axles with continuously adjustable damping Damping at each wheel is adapted to the current driving situation, and can be set for more comfortable or sporty characteristics as required		489	○	○	●	1,245.83	1,495.00
Exterior							
360° camera Four networked cameras in front grille, wing mirrors and boot capture a 360° bird's-eye view of vehicle's immediate surroundings		501	○	○	●	279.17	335.00
All-season tyres for 18" wheels Improves cold weather grip and refinement	Increases CO ₂ by 3 g - please see technical data	R02	○	-	-	no-cost option	
Fuel tank - 66 litres	Standard in conjunction with GLC 350 d engine	916	○	○	●	37.50	45.00



Item	Notes	Sport	AMG Line	Mercedes-AMG GLC43 4MATIC	Basic RRP excl. VAT (£)	Total RRP incl. VAT (£)
Exterior (continued)						
Headlamps – LED Intelligent Light System with Adaptive Highbeam Assist Plus LED headlamps, highbeam and direction indicator LED position light, cornering light and daytime running lamps Dynamic headlamp range adjustment for ideal visibility in all weather, lighting and driving conditions Variable light distribution for driving on country roads and motorways as well as in heavy fog Active light function allows headlamps to pivot into bends by up to 15° to illuminate road surface more effectively, improving visibility Cornering light function: two LEDs per headlamp improve road illumination in tight bends by automatically switching on cornering light on the relevant side Enhanced fog lamp function illuminates outer half of the carriageway more effectively while reducing glare due to light reflected by fog. Can be activated at speeds below 44 mph and remains switched on up to 62 mph Welcome home function lights up LED fibre optics in the headlamps in blue after unlocking the vehicle, transitioning to white locator lighting		641	○	○	454.17	545.00
Running boards with rubber studs		846	○	○	375.00	450.00
Tow bar, fully electric – includes 13-pin socket When ordering, please discuss with your Retailer any specific electrical towing requirements		550	○	○	625.00	750.00



Item	Notes					Basic RRP excl. VAT (£)	Total RRP incl. VAT (£)
		Sport	AMG Line	Mercedes-AMG GLC43 4MATIC			
Interior							
ARTICO leather ¹ dashboard		U09	-	○	●	333.33	400.00
Head-up display Virtual colour image (21×7 cm) showing driver-related information, such as vehicle speed, directly into the driver's field of vision		463	○	○	○	687.50	825.00
Paint, Trim and Upholstery							
Paint - metallic		1	○	○	○	570.83	685.00
Paint - designo metallic		1	○	○	○	745.83	895.00
Paint - designo magno		1	○	○	○	1,495.83	1,795.00
Trim - AMG carbon fibre with aluminium		H73	○	○	○	454.17	545.00
Trim - fineline light brown wood		H24	○	○	-	no-cost option	
Trim - high-gloss black with aluminium		739	○	○	●	no-cost option	
Trim - open-pore black ash wood/light longitudinal-grain aluminium		737	-	-	○	162.50	195.00
Upholstery - leather		-	○	○	○	662.50	795.00



> View offers



> Book a test drive



> Find a Retailer



> View the Range Guide

Optional equipment

36

Item	Notes					Basic RRP excl. VAT (£)	Total RRP incl. VAT (£)
Comfort							
AIR-BALANCE package Interior fragrance dispenser. Fragrance can be changed by exchanging the flasks in the glove compartment. Intensity and duration of fragrance diffusion can be adjusted. Oxygen ionisation and improved filtering system for cleaning the outside air of gaseous emissions such as sulphur dioxide, nitrogen oxides or aromatic hydrocarbons		P21	<input type="radio"/>	<input type="radio"/>	<input type="radio"/>	291.67	350.00
Communications and In-Car Entertainment							
Mercedes me connect – Remote Online Services	Please see page 53 for further information	11U	<input type="radio"/>	<input type="radio"/>	<input type="radio"/>	125.00	150.00
Service Package							
Service Care Service Care allows you to spread the cost of servicing your new car in the Mercedes-Benz Retailer network. Taking out a Service Care plan ensures your servicing needs are taken care of by fully trained Mercedes-Benz Technicians with the added benefit of a Mercedes-Benz service history	Price is based on a monthly rate. Example given is for two services taken over 24 months or three services over 36 months. Further payment options are available. New Service Care prices apply only to vehicles up to 12 months old prior to first service.	'	<input type="radio"/>	<input type="radio"/>	<input type="radio"/>	29.16	35.00



> View offers



> Book a test drive



> Find a Retailer



> View the Range Guide

Genuine Accessories

We've developed a range of Accessories you can add to help personalise and enhance your GLC. Your local Mercedes-Benz Retailer can advise on fitting costs of Accessories, where applicable. Further information on our full range of Genuine Accessories can be found on the Mercedes-Benz UK website.

01 | LED Mercedes star projector

The legendary three-pointed star logo is discreetly projected onto the ground alongside your vehicle every time you open the front driver or passenger door. The star automatically disappears once the doors are closed.

RRP £118.80 (incl. VAT), excluding fitting



02 | Illuminated Mercedes star

Let your star shine. Thanks to fibre-optic cables and LED technology, the central star emblem in the radiator grille lights up when you remotely lock/unlock the vehicle or open the door or tailgate. Only functions when engine is switched off. Not in conjunction with DISTRONIC.

RRP £310.68 (incl. VAT), excluding fitting

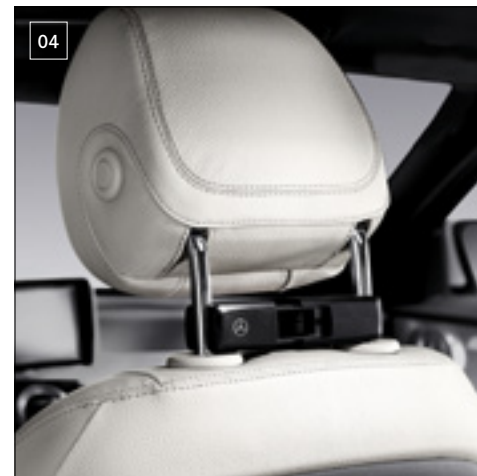




03 | Garmin® MAP PILOT

Turns your Audio 20 radio into a high-performance navigation system with 3D map display. Garmin® MAP PILOT uses the standard-fit 17.8 cm TFT colour display and can be operated conveniently using the vehicle's controller and the Audio 20 keypad.

RRP £495.00 (incl. VAT)



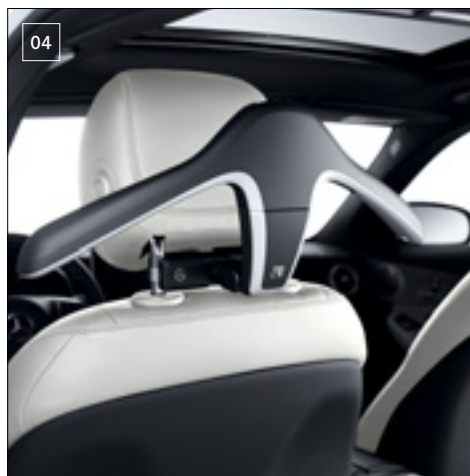
04 | Head restraint modular system

Carefree travel with Mercedes-Benz Style & Travel Equipment. The head restraint elements are simple to fit and remove. The modular system centres around a base support which can be combined with a coat hanger, universal hook, folding table and tablet mount.

Base support: RRP £22.32 (incl. VAT)

Coat hanger: RRP £67.60 (incl. VAT)

Folding table: RRP £102.60 (incl. VAT)





05 | Shallow boot tub

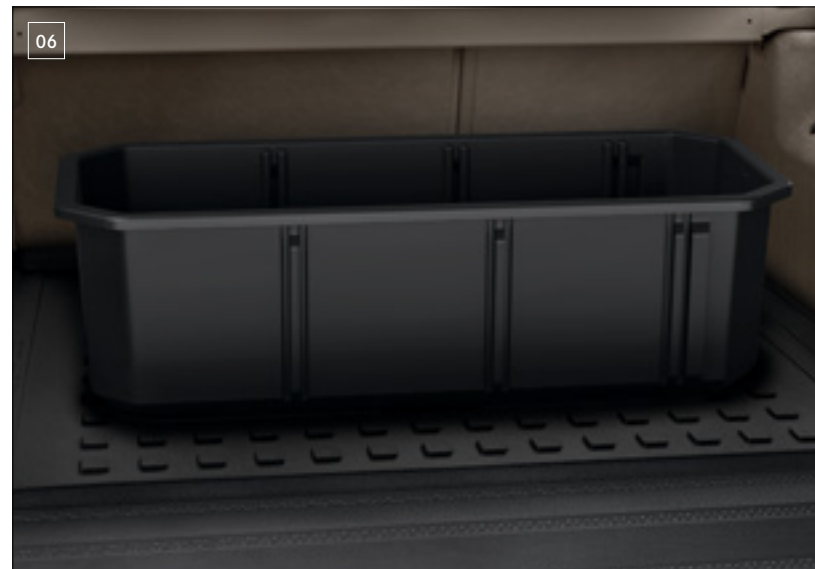
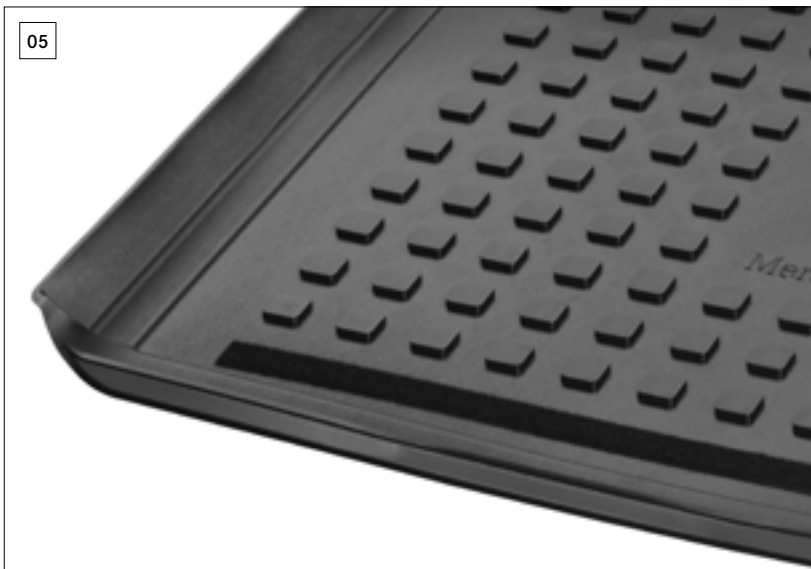
For everyday transport. The easy-care boot tub is even suitable for shoppings. The shape of the tub, with its slightly raised edge, is optimally tailored to the load area. Very robust - made from impact-resistant, non-slip polypropylene. Structured surface prevents the load from sliding around and makes it easier to secure the optionally available stowage crate in place.

RRP £101.40 (incl. VAT)

06 | Stowage crate

The stowage crate is supplied with rigid partitioning elements which can be used to divide it into 4, making it ideal for holding shopping bags. It is secured in place using tension straps which are attached to the load-securing rings. Full functionality only available in conjunction with shallow boot tub.

RRP £87.50 (incl. VAT)





> View offers



> Book a test drive



> Find a Retailer



> View the Range Guide

07 | Reversible mat

Reversible mat. Black. 100% polyester. Double-sided: one rubberised, non-slip side and one high-quality velour side. With connection for concertina load sill protector. Tailored to contours of load compartment. Keeps floor of load compartment clean and dry.

Easy to clean.

RRP £118.20 (incl. VAT)

08 | All-season floor mats

Made from robust, washable synthetic material for heavy use. Latest design with recessed areas and raised edge. With distinctive Mercedes star logo. Price includes both front and rear mats.

RRP £93.50 (incl. VAT)





> View offers



> Book a test drive



> Find a Retailer



> View the Range Guide

09 | DUO plus child seat, with ISOFIX

'DUO plus' child seat. Optimum safety for children between the ages of around 9 months and 4 years (9 to 18 kg). Fitted as standard with top tether, an additional belt for securing the head section, a height-adjustable harness, ventilation channels and ISOFIX attachment points. Adjustable tilt. Additional seats available for ages 0+ (1 to 13 kg) and 3.5 to 12 years (15 to 36 kg).

RRP £434.83 (incl. VAT)

10 | Exterior Car Care Kit

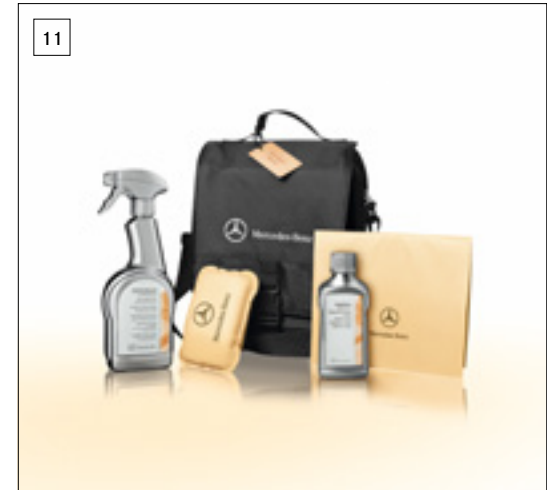
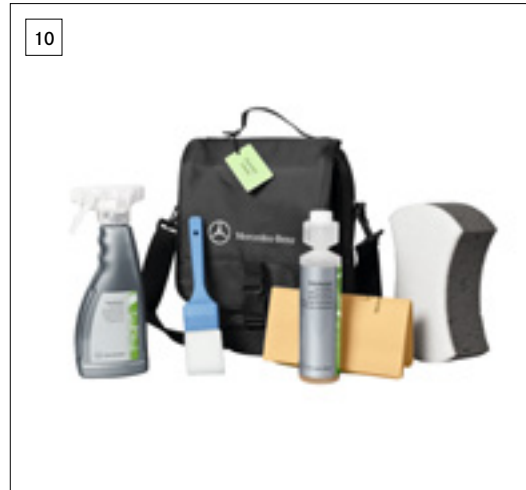
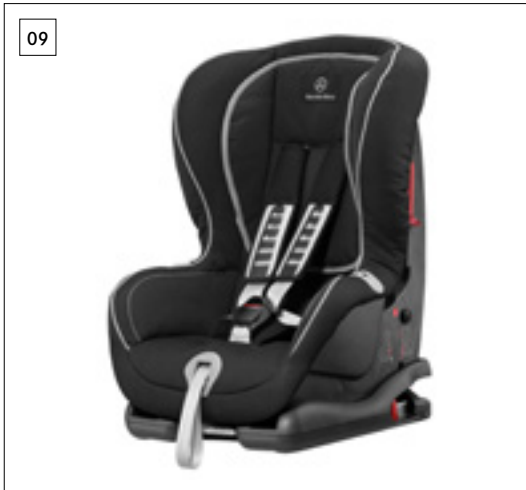
The Mercedes-Benz Exterior Car Care Kit is a four-piece collection to keep the exterior of your car looking like it's come straight from the showroom. The bag contains car shampoo, wheel cleaner, sponge and polishing cloth.

RRP £25.00 (incl. VAT)

11 | Interior Car Care Kit

The Mercedes-Benz Interior Car Care Kit is a four-piece collection enabling you to maintain a spotless showroom finish inside your car. The bag contains cabin care spray, interior glass cleaner, interior glass sponge and car cloth.

RRP £25.00 (incl. VAT)





12 | Carrier bars for roof rails

Quick-fastening basic carrier bars for roof rails – no tools required. Multifunctional basis for all Mercedes-Benz transport and leisure accessories such as roof boxes, bicycle racks and ski racks. Locking plastic caps help prevent theft.
RRP £242.40 (incl. VAT)

13 | Mercedes-Benz roof box, 400 litres

Multipurpose box. Compact length, impressive amount of space. Capacity approx. 400 litres. Opens on both sides with handle strip for easier opening and closing.
RRP £416.00 (incl. VAT)

14 | Cold weather wheels and tyres

In the colder months, winter tyres grip the surface of the road more effectively and remain softer and more elastic at low temperatures.

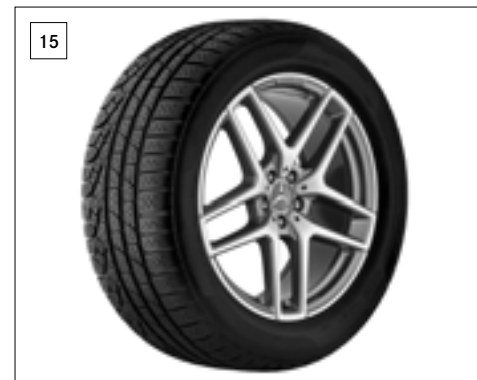
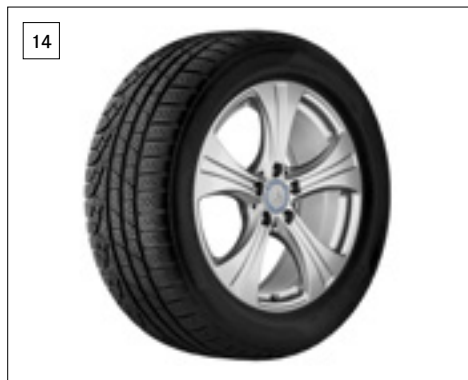
18" alloy wheels (4) – 5-spoke design.

RRP £2,233.15 (incl. VAT), excluding fitting

15 | Cold weather wheels and tyres

19" alloy wheels (4) – 5-twin-spoke design.

RRP £3,370.90 (incl. VAT), excluding fitting





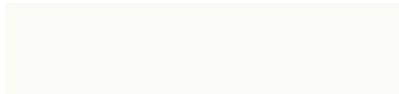
Colours and materials

Non-metallic paints

Standard



040 black



149 polar white

Metallic paints

Additional-cost option



197 obsidian black



896 brilliant blue



775 iridium silver



988 diamond silver



796 citrine brown



992 selenite grey



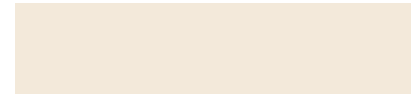
890 cavansite blue

Special metallic paints

Additional-cost option



271 designo citrine brown magno



799 designo diamond white bright



996 designo hyacinth red metallic



ARTICO leather¹

Sport and AMG Line (standard); Mercedes-AMG GLC 43 4MATIC (no-cost option)



101A black



115A silk beige^{2,3}

ARTICO leather¹/DINAMICA microfibre

Mercedes-AMG GLC 43 4MATIC (standard)



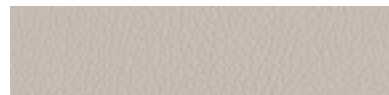
641A black with red contrast stitching

Leather

Optional



221A black



235A silk beige²

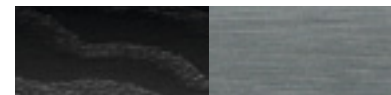


297A cranberry red⁴

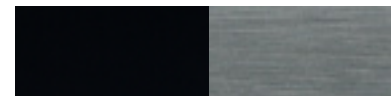
Trim



736 black ash wood⁵



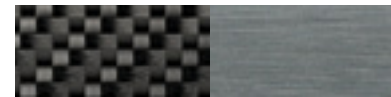
737 open-pore black ash wood with aluminium³



739 high-gloss black with aluminium⁶



H24 finesline light brown wood⁶



H73 AMG carbon fibre with aluminium

¹Man-made leather ²Sport only ³Mercedes-AMG GLC 43 4MATIC only ⁴AMG Line and Mercedes-AMG GLC 43 4MATIC only ⁵Standard on Sport and AMG Line; additional-cost option for Mercedes-AMG GLC 43 4MATIC ⁶No-cost option



Trim and upholstery combinations

	Sport, AMG Line and Mercedes-AMG GLC 43 4MATIC					Mercedes-AMG GLC 43 4MATIC
	ARTICO leather ¹		Leather			ARTICO leather ¹ / DINAMICA microfibre
	black (101A)	silk beige (115A) ²	black (221A)	silk beige (235A) ²	cranberry red (297A) ³	black with red contrast stitching (641A)
Dashboard						
Steering wheel	black	black	black	black	black	black
Upper dashboard trim	black	black	black	black	black	black ⁴
Lower dashboard trim	black	silk beige	black	silk beige	black	black
Seats						
Seat cushion centre section	black	silk beige	black	silk beige	cranberry red	black ⁴
Side bolster trim	black	silk beige	black	silk beige	black	black ⁴
Head restraint	black	silk beige	black	silk beige	cranberry red	black ⁴
Seat belt	black	black	black	black	black	red
Doors						
Door trim at beltline	black	black	black	black	black	black ⁴
Door centre panel	black	silk beige	black	silk beige	cranberry red	black ⁴
Roof lining	crystal grey (black ²)	porcelain	crystal grey (black ²)	porcelain	black	black
Floor covering						
Front and rear	black	black	black	black	black	black
Boot	black	black	black	black	black	black

¹Man-made leather ²Sport only ³AMG Line and Mercedes-AMG GLC43 4MATIC only ⁴With red contrast stitching



Combination options

		Non-metallic paints Standard		Metallic paints Optional								Special metallic paints Additional-cost option		
		040 black	149 polar white	197 obsidian black	775 iridium silver	796 citrine brown	890 cavansite blue	896 brilliant blue	988 diamond silver	992 selenite grey	271 designo citrine brown magno	799 designo diamond white bright	996 designo hyacinth red metallic	
ARTICO leather¹														
	black	●	●	●	●	●	●	●	●	●	●	●	●	
	silk beige	●	●	●	●	●	●	○	●	●	●	○		
ARTICO leather¹/DINAMICA microfibre														
	black with red contrast stitching	●	●	●	●	●	●	●	●	●	●	●	●	
Leather														
	black	●	●	●	●	●	●	●	●	●	●	●	●	
	silk beige	●	●	●	●	●	●	○	●	●	●	○		
	cranberry red	●	●	●	●	●	○	△	●	●	△	●	●	



Technical data

Model	Diesel engines			Petrol engine	
	GLC 220 d 4MATIC	GLC 250 d 4MATIC	GLC 350 d 4MATIC	Mercedes-AMG GLC 43 4MATIC	
Engine					
Total displacement	cc	2,143	2,143	2,987	2,996
Arrangement/cylinders/valves		in-line/4/16	in-line/4/16	in-line/6/24	V/6/24
Fuel delivery		Common-rail diesel with twin turbochargers	Common-rail diesel with twin turbochargers	Common-rail diesel with twin turbochargers	Electronically-controlled direct injection
Power ¹	hp (kW) at rpm	170 (125)/3,000–4,200	204 (150)/3,800	258 (190)/3,400	367 (270)/5,500–6,000
Torque ¹	Nm at rpm	400/1,400–2,800	500/1,600–1,800	620/1,600–2,400	520/2,500–4,500
Compression ratio		16.2:1	16.2:1	15.5:1	10.7:1
Transmission					
9G-TRONIC PLUS 9-speed auto.		●	●	●	●
Tyre sizes					
Front		235/65 R 18	235/65 R 18	235/65 R 18	235/55 R 19
Rear		235/65 R 18	235/65 R 18	235/65 R 18	255/50 R 19
Performance					
Acceleration 0–62 mph	sec	8.3	7.6	6.2	4.9
Top speed	mph	130	138	148	155

● Standard ○ Optional - Not available



Model	Diesel engines			Petrol engine
	GLC 220 d 4MATIC	GLC 250 d 4MATIC	GLC 350 d 4MATIC	Mercedes-AMG GLC 43 4MATIC

Weights and capacities

Kerb weight ²	kg	1,845	1,845	1,915	1,855
Perm. Gross Vehicle Weight	kg	2,520	2,520	2,530	2,460
Towing capacity – unbraked		750	750	750	750
braked	kg	2,200	2,200	2,500	2,460
Boot capacity – max. seats up		500	500	500	550
max. seats down	l	1,400	1,400	1,400	1,600
Fuel tank capacity/of which reserve	l	50/7	50/7	66/7	66/7
Turning circle	m	11.8	11.8	11.8	12.1
Wading depth	mm	300	300	300	300

Fuel consumption^{3,4}

mpg

Urban		49.6	49.6	40.9	25.9
Extra-urban ⁵		60.1	60.1	52.3	40.4
Combined		56.5	56.5	47.1	33.6



	Diesel engines			Petrol engine
Model	GLC 220 d 4MATIC	GLC 250 d 4MATIC	GLC 350 d 4MATIC	Mercedes-AMG GLC 43 4MATIC

CO₂ emissions⁴ g/km

Emissions standard	EU6	EU6	EU6	EU6
18" alloy wheels (235/60 tyres)	131	131	161	-
18" alloy wheels (235/60 all-season tyres)	134	134	164	-
19" alloy wheels (255/50 tyres)	143	143	169	192
20" alloy wheels (285/40 tyres)	143	143	169	203
21" alloy wheels (255/45 tyres)	-	-	-	203

Insurance

Group rating	23-30	34-35	40-41	44
--------------	-------	-------	-------	----

Insurance ratings may vary depending on model specification. Please refer to <http://www.thatcham.org/abigrouprating/> for further details

¹Figures according to Directive 80/1269/EEC in the currently applicable version

²Figures according to Directive 92/21/EC (kerb weight with fuel tank 90% full, driver, 68 kg, and luggage, 7 kg) for standard-specification vehicles

³All figures are based on a standard specification with the smallest tyre size

⁴The choice of wheels and transmission may affect CO₂ emissions and corresponding Road Fund Licence

⁵EUDC: extra-urban driving cycle. Testing procedures adhere to EU Directive 93/116

The figures on pages 47-50 are correct at time of publication. Please refer to the government website for latest data - <http://carfueldata.direct.gov.uk/>



> View offers



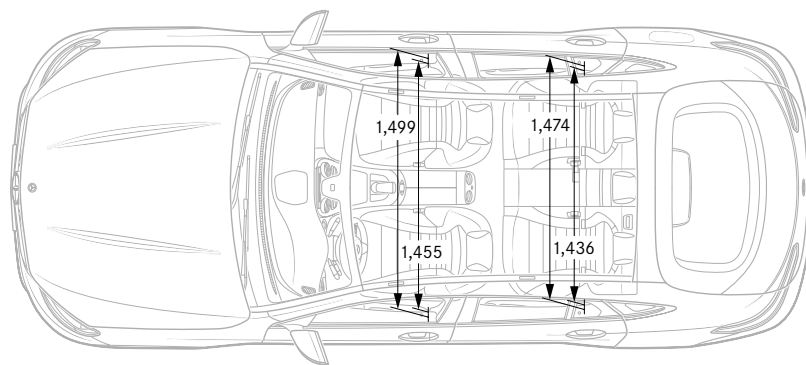
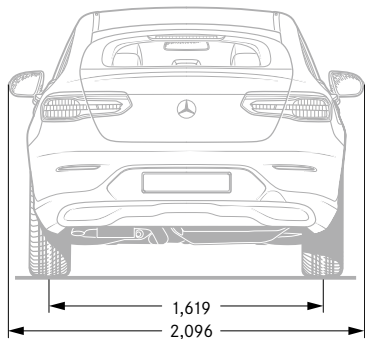
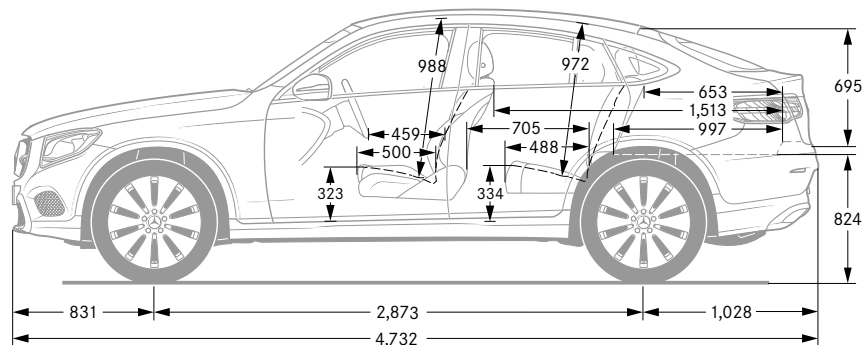
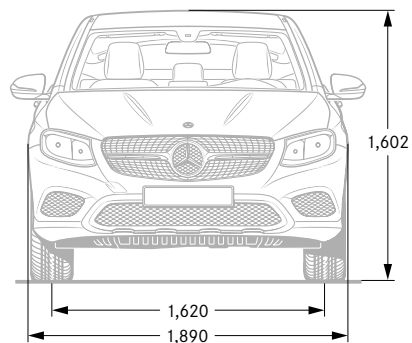
> Book a test drive



> Find a Retailer



> View the Range Guide



[View offers](#)[Book a test drive](#)[Find a Retailer](#)[View the Range Guide](#)

Road Fund Licence



All road vehicle registrations are subject to Vehicle Excise Duty (Road Fund Licence), which varies in accordance with the vehicle's CO₂ emissions. A first year rate for each taxation band will apply. The table below shows the bands (A–M) created by the DVLA and the corresponding Road Fund Licence. CO₂ emissions are listed in the technical data on page 49, and the relevant Excise Duty is reflected in the on-the-road prices on page 8.

Band	CO ₂ emissions	First year rate (£)	Standard rate (£)	Premium rate (£) ¹
A	0 g/km	0.00	0.00	310.00
B	1 to 50 g/km	10.00	140.00	450.00
C	51 to 75 g/km	25.00	140.00	450.00
D	76 to 90 g/km	100.00	140.00	450.00
E	91 to 100 g/km	120.00	140.00	450.00
F	101 to 110 g/km	140.00	140.00	450.00
G	111 to 130 g/km	160.00	140.00	450.00
H	131 to 150 g/km	200.00	140.00	450.00
I	151 to 170 g/km	500.00	140.00	450.00
J	171 to 190 g/km	800.00	140.00	450.00
K	191 to 225 g/km	1,200.00	140.00	450.00
L	226 to 255 g/km	1,700.00	140.00	450.00
M	over 255 g/km	2,000.00	140.00	450.00

Some of the model features, optional extras and colours shown may not be available or may only be available in a different specification.

¹Premium rate only applicable to vehicles where the list price is over £40,000 including any factory-fitted options, standard UK delivery charge, number plates, fuel and VAT



> View offers



> Book a test drive



> Find a Retailer



> View the Range Guide

Services and benefits

Mercedes-Benz Service Care

We believe that servicing costs should be as flexible and affordable as possible for your GLC, which is why we offer Service Care, an easy way to budget for all your servicing costs. It spreads your bills into manageable payments based on whether you have a new or used Mercedes-Benz.

With Service Care we guarantee the price of parts and labour for up to three services and safeguard against any further inflation. It also covers the cost of any additional items including brake fluid, spark plugs, air filters, fuel filters and screen wash.

You can choose either to add your servicing costs into your monthly spend or pay the full amount in a one-off payment, giving you peace of mind that they are taken care of for the period of the plan.

To receive a personalised Service Care plan recommendation visit the Service Care Calculator at servicecarerates.mercedes-benz.co.uk

Warranty and breakdown cover

Every Mercedes-Benz comes with a three-year unlimited mileage warranty against manufacturing or material defects¹ and up to 30 years warranty against perforation due to corrosion from the inside out². What's more, it's also covered by Mercedes-Benz Roadside Assistance – a unique package comprising up to 30 years pan-European breakdown assistance.²



Mercedes me – the Mercedes that thinks and acts for you

Mercedes me contains a package of innovative services and lifestyle offers that connect you to your car via your desktop, tablet or smartphone using an app. Fitting effortlessly into your daily routine, it provides a wealth of information relevant to you and your Mercedes. It also assists you in the event of a breakdown or an accident.

Mercedes me connect services

Standard on all models.

- **Emergency Call** – if there's an accident, this feature automatically shares your vehicle location and status for a prompt response from the emergency services.
- **Accident and breakdown management** – contact our Customer Assistance Centre with a single button for fast breakdown recovery.
- **Telediagnostics** – automatically detects and shares details of any vehicle wear and tear with you, and shares the data with your Retailer.
- **Maintenance management** – reminds you when your service is due and automatically shares maintenance data with your Retailer.
- **Parking Time Assist** – track the time on your parking meter and receive an alert when it's due to expire.

Mercedes me Remote Online services

Standard on all models with COMAND Online. Available to purchase for an additional £150.00 (incl. VAT) for all models without COMAND Online.

- **Trip information and vehicle status** – access the vehicle's trip data such as fuel level, mileage, condition of brake pads and tyre pressure.
- **Remote door locking and unlocking** – lock and unlock your car remotely, wherever you are in the world.
- **Geofencing** – set up a geographical boundary and receive alerts whenever your car enters or leaves this area.
- **Parked Vehicle Locator** – locate your parked vehicle within a range of one mile and plot a route back to it.
- **Vehicle Tracker** – track the location of your car anywhere in the world.

Additional services for Plug-In Hybrid and electric models only, as part of Remote Online services:

- **Pre-entry climate control** – activate the pre-entry climate control system of your parked vehicle and set the temperature to your liking.
- **Route planning** – displays the electric operating range on a map and enables you to plan a route while stopping at public charging stations.
- **Charging points** – displays a list of the nearest public charging stations.
- **Charging profile** – control the charging settings from a distance so your vehicle can be ready charged when you need it.



> View offers



> Book a test drive



> Find a Retailer



> View the Range Guide

Mercedes me

54

Mercedes me Live Traffic Information

Live Traffic Information is part of COMAND Online (standard or optional, depending on model).

- **Live Traffic Information** – provides real-time traffic information for dynamic route planning for the first three years from vehicle registration.

In order to access these services, you are required to set up a Mercedes me account, assign your vehicle to your online account and accept the Terms of Use. Your local Retailer will be able to assist and guide you through the registration process. Once your subscription expires after three years, the services of Live Traffic Information can be extended up to three years at an additional charge (1 year = £39.00, 2 years = £69.00, 3 years = £89.00).

Mercedes me Vehicle Monitoring package

Standard on all models with COMAND Online. Available to purchase for an additional £69.00 (incl. VAT) for all models.

- **Geofencing** – set up a geographical boundary and receive alerts whenever your car enters or leaves this area.
- **Vehicle Tracker** – track the location of your car anywhere in the world.
- **Parked Vehicle Locator** – locate your parked vehicle within a range of one mile and plot a route back to it.

Mercedes me Vehicle Set-up package

Standard on all models with COMAND Online. Available to purchase for an additional £69.00 (incl. VAT) for all other models.

- **Personal profile** – store your preferences, such as your favourite radio stations and apps, to create your personal driver profile.
- **Trip information and vehicle status** – get remote access to the vehicle's trip data such as fuel level, mileage, condition of brake pads and tyre pressure.
- **Remote door locking and unlocking** – lock and unlock your car remotely, wherever you are in the world.
- **Send to Car** – search for destinations on your smartphone, tablet or desktop, then send the routes direct to your car for navigation.

To find out more about Mercedes me services and applications, visit the Mercedes me connect store <https://shop.mercedes-benz.com/en-gb/connect> or contact your local Retailer.

Mercedes 



Mercedes-Benz Finance

Why should you finance with Mercedes-Benz?

At Mercedes-Benz we believe a great driving experience should be matched by an equally great ownership experience. That is why we put just as much thought, time and effort into designing our finance options, our service plans and our insurance cover as we do into our vehicles.

We are not in the business of simply providing a loan to fund the purchase of your dream vehicle. We look on it as a journey that we take with you, from the moment you choose your new Mercedes-Benz, to helping you in choosing your next one.

If you would like to find out more about any of our current offers, simply call into your local Mercedes-Benz Retailer where one of our Business Managers will be more than happy to talk you through anything you need to know.

Helping you find the right solution.

You should find our finance packages are more convenient than a traditional personal loan because:

- Funds are immediately available – no waiting for cheques or loans to clear.
- There is no security required – either against your home or other assets.
- We have clear and transparent rates – the APR we quote is the APR you get.
- We have friendly Business Managers – experts in vehicle finance who can talk you through all of your plans in detail.

One of our most popular finance products is Mercedes-Benz Agility (our Personal Contract Purchase product). We also offer Contract Hire, Operating Lease and Hire Purchase solutions. If you would like to find out more about these speak to your Retailer or visit www.mercedes-benz.co.uk/fandi.

Mercedes-Benz Agility (our PCP product).

At the start of an Agility agreement, you put down a deposit and decide the term of your agreement and your annual mileage. You will be advised of the Guaranteed Future Value, which offers you the reassurance of knowing exactly what you will need to pay to own the vehicle outright in the future (this is known as the Optional Purchase Payment).

Throughout your agreement you simply pay your agreed monthly payments and when the agreement comes to an end you either purchase, hand back or part-exchange your vehicle.





Agility features:

- Fixed regular payments mean you can easily budget.
- Payments are based only on a proportion of the vehicle's value, keeping your monthly payments lower.
- Our Guaranteed Future Value avoids the risk of unplanned depreciation of your vehicle.
- You defer your ownership decision until the end of the agreement.

At the end of your agreement you have three options to choose from.

Option 1: Purchase your Mercedes-Benz.

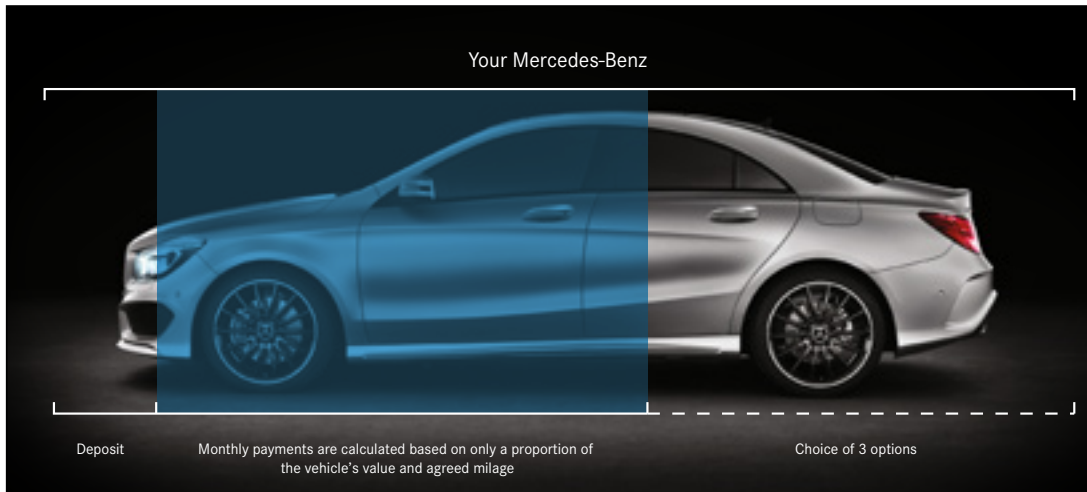
Purchase your Mercedes-Benz by paying the Optional Purchase Payment and Purchase Activation Fee.¹ This will complete the purchase of your Mercedes-Benz, leaving you free to simply enjoy your vehicle.

Option 2: Hand back your Mercedes-Benz.

If you decide to return your vehicle to us, it must be in line with our Vehicle Return Standards,* as vehicle condition, excess mileage and other charges may be payable.

Option 3: Part-Exchange for a new vehicle.

Purchase your Mercedes-Benz by paying the Optional Purchase Payment and Purchase Activation Fee.¹ This will complete the purchase of your Mercedes-Benz, leaving you free to part-exchange for a new vehicle.



¹Please note the 'Purchase Activation Fee' of £10 will be debited from your account *To find out more information about our Vehicle Return Standards please visit <http://mercedes-benz.co.uk/vrs>



> View offers



> Book a test drive



> Find a Retailer



> View the Range Guide

Follow us on the following social media channels:



facebook.com/mercedesbenzuk



twitter.com/mercedesbenzuk



youtube.com/mercedesbenzuk



instagram.com/mercedesbenzuk

Effective from 1 June 2017 Production. Information correct at time of publication.

Prices and specifications are subject to change without prior notice.

MBC253PL/0517

Mercedes-Benz Cars UK Limited, Tongwell, Milton Keynes, MK15 8BA. Company number 2448457 www.mercedes-benz.co.uk