



Book a [▶ test drive](#)
[▶ AMG test drive](#)



[▶ Find a Retailer](#)



[▶ View the Range Guide](#)

GLC

Sport Utility Vehicle and Coupé



Effective from January 2019 Production.

Mercedes-Benz





Book a [test drive](#)
[AMG test drive](#)



[Find a Retailer](#)



[View the Range Guide](#)

Contents

Model prices	10	Pricing summary for model and equipment lines	35	Optional equipment	56
Model lines	13	Standard equipment	37	Genuine Accessories	63
Mercedes-AMG GLC 43 4MATIC	21	Wheels	46	Colours and materials	67
Premium and Premium Plus equipment lines	23	Lane Tracking package	51	Technical data	72
Mercedes-AMG GLC 63/S 4MATIC+ and GLC 63 S 4MATIC+ Edition 1	25	Driving Assistance package	52	Road Fund Licence	88
Premium equipment line for Mercedes-AMG GLC 63/S 4MATIC+	31	Night package	53	Services and benefits	89
Mercedes-AMG driver training	33	AMG Night package	54	Mercedes me	90
		Off-Road package	55	Mercedes-Benz Finance	92



Book a [▶ test drive](#)
[▶ AMG test drive](#)



[▶ Find a Retailer](#)



[▶ View the Range Guide](#)

The hard facts to melt your heart

At Mercedes-Benz we appreciate the importance of detail. Over the following pages you'll find model prices and a breakdown of standard and optional equipment, as well as details of the comprehensive services and benefits that are available to every Mercedes-Benz driver.

Of course, some things have to be experienced to be truly appreciated, such as the qualities that set a Mercedes-Benz apart. Which is why we'd like to invite you for a test drive at your local Mercedes-Benz Retailer. Alternatively, you can make arrangements by visiting www.mercedes-benz.co.uk/testdrive

For more information visit www.mercedes-benz.co.uk or call 0333 222 0500.



Book a [▶ test drive](#)
[▶ AMG test drive](#)



[▶ Find a Retailer](#)



[▶ View the Range Guide](#)



Some of the model features, optional extras and colours shown may not be available, or may only be available in a different specification.



Book a [▶ test drive](#)
[▶ AMG test drive](#)



[▶ Find a Retailer](#)



[▶ View the Range Guide](#)



Some of the model features, optional extras and colours shown may not be available, or may only be available in a different specification.



Book a [test drive](#)
[AMG test drive](#)



[Find a Retailer](#)



[View the Range Guide](#)



Some of the model features, optional extras and colours shown may not be available, or may only be available in a different specification.



Book a [test drive](#)
[AMG test drive](#)



[Find a Retailer](#)



[View the Range Guide](#)



Some of the model features, optional extras and colours shown may not be available, or may only be available in a different specification.



Book a [▶ test drive](#)
[▶ AMG test drive](#)



[▶ Find a Retailer](#)



[▶ View the Range Guide](#)



Some of the model features, optional extras and colours shown may not be available, or may only be available in a different specification.



Book a [test drive](#)
[AMG test drive](#)



[Find a Retailer](#)



[View the Range Guide](#)



Some of the model features, optional extras and colours shown may not be available, or may only be available in a different specification.



Model prices – SUV

Engine	Model line	Transmission	CO ₂ ^{1,*}	Basic RRP excl. VAT (£)	Total RRP incl. VAT (£)	Road Fund Licence (£) ²	Rec. OTR price (£) ³	P11D value (£)	BiK tax rate 2019/20 (%)
GLC 220 d 4MATIC Diesel – 2,143 cc, 4-cylinder, 170 hp/125 kW	Urban Edition	9G-TRONIC PLUS 9-speed automatic	158	29,829.17	35,795.00	855.00	37,365.00	36,455.00	37
	Sport	9G-TRONIC PLUS 9-speed automatic	156	31,620.83	37,945.00	855.00	39,515.00	38,605.00	37
	AMG Night Edition	9G-TRONIC PLUS 9-speed automatic	158	33,141.67	39,770.00	855.00	41,340.00	40,430.00	37
GLC 250 d 4MATIC Diesel – 2,143 cc, 4-cylinder, 204 hp/150 kW	Sport	9G-TRONIC PLUS 9-speed automatic	161	32,583.33	39,100.00	855.00	40,670.00	39,760.00	37
	AMG Night Edition	9G-TRONIC PLUS 9-speed automatic	163	34,104.17	40,925.00	855.00	42,495.00	41,585.00	37
GLC 350 d 4MATIC Diesel – 2,987 cc, 6-cylinder, 258 hp/190 kW	Sport	9G-TRONIC PLUS 9-speed automatic	182	36,137.50	43,365.00	1,280.00	45,360.00	44,025.00	37
	AMG Night Edition	9G-TRONIC PLUS 9-speed automatic	182	37,658.33	45,190.00	1,280.00	47,185.00	45,850.00	37
GLC 250 4MATIC Petrol – 1,991 cc, 4-cylinder, 211 hp/155 kW	Urban Edition	9G-TRONIC PLUS 9-speed automatic	174	29,995.83	35,995.00	855.00	37,565.00	36,655.00	37
	Sport	9G-TRONIC PLUS 9-speed automatic	172	31,787.50	38,145.00	855.00	39,715.00	38,805.00	37
	AMG Night Edition	9G-TRONIC PLUS 9-speed automatic	174	33,308.33	39,970.00	855.00	41,540.00	40,630.00	37

¹The indicated values were determined according to the prescribed measurement method – Worldwide Harmonised Light Vehicle Test Procedure (WLTP). Figures shown may include options which are not available in the UK.

*CO₂ figures have been converted into NEDC-equivalent values for use with the current VED and BiK tax legislation.

Figures shown are for comparability purposes; only compare with other cars tested to the same technical procedures. Figures may not reflect real life driving results, which will depend upon a number of factors including factory-fitted options, accessories fitted (post registration), variations in weather, driving styles and vehicle load. Further information about the test used to establish fuel consumption and CO₂ figures can be found at <http://www.mercedes-benz.co.uk/WLTP>

²A different first year rate of Vehicle Excise Duty (Road Fund Licence) applies for new cars. Please refer to page 88 for the relevant rate for the second and subsequent years

³The recommended on-the-road price includes the Road Fund Licence applicable to the standard model plus delivery charge (£635.00 incl. VAT), new vehicle registration fee (£55.00) and number plates (£25.00 incl. VAT). VAT is calculated at the standard rate of 20%



Book a > test drive
> AMG test drive



> Find a Retailer



> View the Range Guide

Model prices | SUV

11

Engine	Model line	Transmission	CO ₂ ^{1,*}	Basic RRP excl. VAT (£)	Total RRP incl. VAT (£)	Road Fund Licence (£) ²	Rec. OTR price (£) ³	P11D value (£)	BiK tax rate 2019/20 (%)
Mercedes-AMG									
Mercedes-AMG GLC43 4MATIC Petrol – 2,996 cc, 6-cylinder, 367hp/270kW	–	9G-TRONIC PLUS 9-speed automatic	220	39,908.33	47,890.00	1,280.00	49,885.00	48,550.00	37
Mercedes-AMG GLC 63 4MATIC+ Petrol – 3,982 cc, 8-cylinder, 476hp/350kW	–	AMG SPEEDSHIFT MCT 9-speed auto.	265	55,754.17	66,905.00	2,135.00	69,755.00	67,565.00	37
Mercedes-AMG GLC63 S 4MATIC+ Petrol – 3,982 cc, 8-cylinder, 510hp/375kW	–	AMG SPEEDSHIFT MCT 9-speed auto.	270	61,379.17	73,655.00	2,135.00	76,505.00	74,315.00	37
Mercedes-AMG GLC63 S 4MATIC+ Edition 1 Petrol – 3,982 cc, 8-cylinder, 510hp/375kW	–	AMG SPEEDSHIFT MCT 9-speed auto.	270	74,007.50	88,809.00	2,135.00	91,659.00	89,469.00	37

¹The indicated values were determined according to the prescribed measurement method – Worldwide Harmonised Light Vehicle Test Procedure (WLTP). Figures shown may include options which are not available in the UK.

*CO₂ figures have been converted into NEDC-equivalent values for use with the current VED and BiK tax legislation.

Figures shown are for comparability purposes; only compare with other cars tested to the same technical procedures. Figures may not reflect real life driving results, which will depend upon a number of factors including factory-fitted options, accessories fitted (post registration), variations in weather, driving styles and vehicle load. Further information about the test used to establish fuel consumption and CO₂ figures can be found at <http://www.mercedes-benz.co.uk/WLTP>

²A different first year rate of Vehicle Excise Duty (Road Fund Licence) applies for new cars. Please refer to page 88 for the relevant rate for the second and subsequent years

³The recommended on-the-road price includes the Road Fund Licence applicable to the standard model plus delivery charge (£635.00 incl. VAT), new vehicle registration fee (£55.00) and number plates (£25.00 incl. VAT). VAT is calculated at the standard rate of 20%



Book a
 > test drive
 > AMG test drive



> Find a Retailer



> View the Range Guide

Model prices – Coupé

Engine	Model line	Transmission	CO ₂ ^{1,*}	Basic RRP excl. VAT (£)	Total RRP incl. VAT (£)	Road Fund Licence (£) ²	Rec. OTR price (£) ³	P11D value (£)	BiK tax rate 2019/20 (%)
GLC 220 d 4MATIC Diesel – 2,143 cc, 4-cylinder, 170 hp/125 kW	Sport	9G-TRONIC PLUS 9-speed automatic	161	34,016.67	40,820.00	855.00	42,390.00	41,480.00	37
	AMG Line	9G-TRONIC PLUS 9-speed automatic	163	35,262.50	42,315.00	855.00	43,885.00	42,975.00	37
GLC 250 d 4MATIC Diesel – 2,143 cc, 4-cylinder, 204 hp/150 kW	Sport	9G-TRONIC PLUS 9-speed automatic	161	34,979.17	41,975.00	855.00	43,545.00	42,635.00	37
	AMG Line	9G-TRONIC PLUS 9-speed automatic	163	36,225.00	43,470.00	855.00	45,040.00	44,130.00	37
GLC 350 d 4MATIC Diesel – 2,987 cc, 6-cylinder, 258 hp/190 kW	Sport	9G-TRONIC PLUS 9-speed automatic	176	39,058.33	46,870.00	1,280.00	48,865.00	47,530.00	37
	AMG Line	9G-TRONIC PLUS 9-speed automatic	184	40,304.17	48,365.00	1,280.00	50,360.00	49,025.00	37
GLC 250 4MATIC Petrol – 1,991 cc, 4-cylinder, 211 hp/155 kW	Sport	9G-TRONIC PLUS 9-speed automatic	173	34,183.33	41,020.00	855.00	42,590.00	41,680.00	37
	AMG Line	9G-TRONIC PLUS 9-speed automatic	175	35,429.17	42,515.00	855.00	44,085.00	43,175.00	37
Mercedes-AMG									
Mercedes-AMG GLC 43 4MATIC Petrol – 2,996 cc, 6-cylinder, 367 hp/270 kW	-	9G-TRONIC PLUS 9-speed automatic	220	41,983.33	50,380.00	1,280.00	52,375.00	51,040.00	37
Mercedes-AMG GLC 63 4MATIC+ Petrol – 3,982 cc, 8-cylinder, 476 hp/350 kW	-	AMG SPEEDSHIFT MCT 9-speed auto.	262	57,829.17	69,395.00	2,135.00	72,245.00	70,055.00	37
Mercedes-AMG GLC 63 S 4MATIC+ Petrol – 3,982 cc, 8-cylinder, 510 hp/375 kW	-	AMG SPEEDSHIFT MCT 9-speed auto.	267	63,454.17	76,145.00	2,135.00	78,995.00	76,805.00	37
Mercedes-AMG GLC 63 S 4MATIC+ Edition 1 Petrol – 3,982 cc, 8-cylinder, 510 hp/375 kW	-	AMG SPEEDSHIFT MCT 9-speed auto.	267	76,003.33	91,204.00	2,135.00	94,054.00	91,864.00	37

¹The indicated values were determined according to the prescribed measurement method – Worldwide Harmonised Light Vehicle Test Procedure (WLTP). Figures shown may include options which are not available in the UK.

^{*}CO₂ figures have been converted into NEDC-equivalent values for use with the current VED and BiK tax legislation.

Figures shown are for comparability purposes; only compare with other cars tested to the same technical procedures. Figures may not reflect real life driving results, which will depend upon a number of factors including factory-fitted options, accessories fitted (post registration), variations in weather, driving styles and vehicle load. Further information about the test used to establish fuel consumption and CO₂ figures can be found at <http://www.mercedes-benz.co.uk/WLTP>

²A different first year rate of Vehicle Excise Duty (Road Fund Licence) applies for new cars. Please refer to page 88 for the relevant rate for the second and subsequent years

³The recommended on-the-road price includes the Road Fund Licence applicable to the standard model plus delivery charge (£635.00 incl. VAT), new vehicle registration fee (£55.00) and number plates (£25.00 incl. VAT). VAT is calculated at the standard rate of 20%



Book a [test drive](#)
[AMG test drive](#)



[Find a Retailer](#)



[View the Range Guide](#)

GLC SUV Urban Edition





A sporty character through and through, the GLC Urban Edition boasts 20" bicolour alloy wheels, and the striking diamond grille is enhanced by the Night package, featuring high-gloss black louvres. The front and rear apron as well as the exterior mirrors are also finished in high-gloss black. Inside, ARTICO leather¹ seats – heated in the front – against a black piano lacquer

trim echo the sporty tone. For ultimate grip, there's a 3-spoke leather-clad multifunction steering wheel with gearshift paddles. You'll also enjoy the comfort and convenience of the Audio 20 CD system with 7-inch colour display and the Garmin® MAP PILOT navigation system. Meanwhile, THERMATIC automatic climate control makes for a relaxed yet thrilling atmosphere.



Exterior

Night package
20" alloy wheels – 5-spoke design, bicolour
COLLISION PREVENTION ASSIST PLUS (autonomous emergency braking)
DYNAMIC SELECT with a choice of five driving modes
EASY-PACK automatic powered tailgate
Headlamps – LED High Performance Headlamps with integral LED daytime running lamps
Radiator grille with integrated star – two chrome-trimmed louvres
Rain-sensing windscreen wipers
Visible tail-pipe exhaust trim integrated into rear bumper

Interior

ARTICO leather ¹ – black
Audio 20 CD multimedia system
Black piano laquer trim
Front seats – heated
Garmin® MAP PILOT navigation system
KEYLESS-GO starting function
Smartphone integration comprising Android Auto and Apple CarPlay™
SPEEDTRONIC cruise control
Steering wheel – 3-spoke multifunction steering wheel with gearshift paddles, trimmed in leather
THERMATIC – automatic climate control

Trim and Upholstery

High-gloss black

ARTICO leather ¹ – black


¹Man-made leather



Book a [test drive](#)
[AMG test drive](#)



[Find a Retailer](#)



[View the Range Guide](#)

GLC Sport





Book a [> test drive](#)
[> AMG test drive](#)



[> Find a Retailer](#)



[> View the Range Guide](#)

The GLC Sport is brimming with ingredients to enhance the sporty exterior: for sophisticated highlights all round, it comes with chrome trim and bold 18" alloy wheels painted in vanadium silver, as well as a set of eye-catching tailpipes. While the stylish LED High Performance headlamps come with integral LED daytime running lamps, you'll also enjoy smart features once inside. The latest Garmin® MAP PILOT navigation system and the Active

Parking Assist with PARKTRONIC and reversing camera will not only help guide you to your destination but also assist you in parking your GLC Sport. The system helps to find a suitable space to park and actively manoeuvres the vehicle into the space, relieving the driver of steering and braking. Meanwhile, heated front seats and the interior lighting package add to the sophisticated atmosphere on board.

Exterior

Mirror package – electrically folding mirrors and automatically dimming exterior driver's mirror and rear-view mirror

18" alloy wheels – 5-spoke design, painted vanadium silver

Active Parking Assist with PARKTRONIC and reversing camera

Chrome trim – front, side and rear

DYNAMIC SELECT with a choice of driving modes: 'Comfort', 'Eco', 'Sport', 'Sport+' and 'Individual'

Headlamps – LED High Performance Headlamps with integral LED daytime running lamps

Visible tailpipe exhaust trim integrated into rear bumper

Interior

Interior Lighting package – lighting of footwells, door handle recesses, as well as rear reading lamps (LED) and courtesy lamps in all doors

Garmin® MAP PILOT navigation system

Seats – front, heated

Trim – black ash wood

Trim and Upholstery

Black ash wood



ARTICO leather² – black



ARTICO leather² – silk beige/black



¹Recommended Retail Price: this price will vary according to engine chosen, due to Road Fund Licence ²Man-made leather



Book a [test drive](#)
[AMG test drive](#)



[Find a Retailer](#)



[View the Range Guide](#)

GLC AMG Line (Coupé only)





The GLC AMG Line takes sportiness to the highest level, courtesy of our AMG performance experts. First, you'll notice the AMG bodystyling and the 19" AMG alloy wheels painted in titanium grey. You'll also enjoy the AMG sports suspension, tuned for dynamic driving. The interior continues the athletic theme with seats in ARTICO leather,¹ AMG sports pedals and AMG floor mats with embroidered 'AMG' lettering. The AMG sports steering

wheel with its flattened bottom section gives you a firm grip and allows for sporty handling.

AMG Line upgrade – designed and priced as a package, including all Sport equipment plus additional items as listed below.

Upgrade price (from Sport)

Total incl. VAT² £1,495.00

Exterior

19" AMG alloy wheels – 5-twin-spoke design, painted titanium grey

AMG bodystyling – front apron, rear apron and side skirts

Interior

AMG sports pedals in brushed stainless steel with rubber studs

Instrument cluster with two tube-design round dials

Steering wheel – 3-spoke multifunction AMG steering wheel in black nappa leather with flattened bottom section, chrome inserts and perforated leather in grip area

Upholstery – AMG floor mats with edging and embroidered 'AMG' lettering

Upholstery – ARTICO leather¹

Upholstery – black roof lining

Trim and Upholstery

Black ash wood



ARTICO leather¹ – black



¹Man-made leather

²Recommended Retail Price: this price will vary according to engine chosen, due to Road Fund Licence



Book a
▶ test drive
▶ AMG test drive



▶ Find a Retailer



▶ View the Range Guide

GLC AMG Night Edition (SUV only)





Book a [test drive](#)
[AMG test drive](#)



[Find a Retailer](#)



[View the Range Guide](#)

Upgrade your SUV driving experience with the GLC AMG Night Edition. Powerful AMG bodystyling in combination with 19" AMG alloy wheels create a superior look, which is further enhanced by the panoramic electric glass sunroof. The interior is just as exciting with ambient lighting, ARTICO leather¹ and floor mats with edging and embroidered 'AMG' lettering. The 3-spoke multifunction AMG steering wheel sports black nappa leather and chrome inserts. It is complemented by the instrument cluster with two tube-design round dials.

AMG Night Edition upgrade – designed and priced as a package, including all Sport equipment plus additional items listed below.

Upgrade price (from Sport)

Total incl. VAT² £1,825.00

Exterior

Night package

19" AMG alloy wheels – 5-twin-spoke design, bicolour

AMG bodystyling – front apron, rear apron and side skirts

Panoramic electric glass sunroof

Interior

Ambient lighting

AMG sports pedals in brushed stainless steel with rubber studs

Instrument cluster with two tube-design round dials

Steering wheel – 3-spoke multifunction AMG steering wheel in black nappa leather with flattened bottom section, chrome inserts and perforated leather in grip area

Upholstery – AMG floor mats with edging and embroidered 'AMG' lettering

Upholstery – ARTICO leather¹

Upholstery – black roof lining

Trim and Upholstery

Black ash wood



ARTICO leather¹ – black



¹Man-made leather

²Recommended Retail Price: this price will vary according to engine chosen, due to Road Fund Licence



Book a [test drive](#)
[AMG test drive](#)



[Find a Retailer](#)



[View the Range Guide](#)

Mercedes-AMG GLC 43 4MATIC



Exterior features optional metallic paint, 21" AMG alloy wheels and running boards with rubber studs



The Mercedes-AMG GLC 43 4MATIC combines powerful V6 performance with sporty looks. The 'BITURBO 4MATIC' lettering points to all-wheel drive for superior driving dynamics, matched by bicolour 19" AMG alloy wheels in a 5-twin-spoke design. AMG bodystyling, 'AMG' lettering on the front brake calipers and on the distinctive diamond grille also reflect AMG's style in

typical athletic fashion. The interior theme is characterised by aluminium trim set against black with red highlights. It features red contrast stitching on the ARTICO leather¹/DINAMICA microfibre sports seats and on the ARTICO leather¹ dashboard, red seat belts and floor mats with black leather edging, AMG logo and red piping.

Exterior

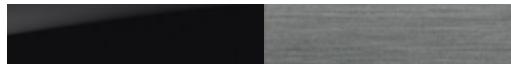
- 19" AMG alloy wheels – 5-twin-spoke design, bicolour
- AMG bodystyling – front apron with distinctive air intakes, AMG side sill panels and AMG rear apron with diffuser look
- AMG spoiler lip in vehicle colour
- 'BITURBO 4MATIC' lettering on front wings
- Black mirror housings
- Diamond radiator grille with chrome pins and 'AMG' lettering
- Front brake calipers with 'AMG' lettering and perforated front brake discs

Interior

- AMG boot logo in central screen
- ARTICO leather¹ dashboard with red contrast stitching
- ARTICO leather¹/DINAMICA microfibre upholstery with red contrast stitching
- Floor mats – with black leather edging, red piping and AMG logo
- Front door sill panels with 'AMG' lettering
- Red seat belts

Trim and Upholstery

High-gloss black with aluminium door inlays



ARTICO leather¹/DINAMICA microfibre – black with red contrast stitching



¹Man-made leather



Book a [test drive](#)
[AMG test drive](#)



[Find a Retailer](#)



[View the Range Guide](#)

Premium and Premium Plus equipment lines

for Sport, AMG Line, AMG Night Edition and Mercedes-AMG GLC 43 4MATIC



Ambient lighting



COMAND Online system



Memory package



Panoramic glass sunroof with electric roller sunblind¹



Burmester® surround sound system



Traffic Sign Assist

¹Not available on Coupé



If you want to increase your comfort and add the best in entertainment, the Premium equipment line does just that. The Premium equipment line features ambient lighting; the KEYLESS-GO Comfort package for effortless entry, exit and starting; the Memory package for the front seats; and, to brighten the cabin, a panoramic glass sunroof for the SUV, or a sliding glass sunroof for Coupé. The Premium Plus equipment line contains the same features as the Premium, plus the sophisticated Burmester® surround sound system and COMAND Online with touchpad, an 8.4-inch high-resolution colour display, navigation with 3D map display and internet connectivity.

Upgrade price – includes all standard model equipment plus additional items as listed below.

SUV Premium¹	Total incl. VAT £1,695.00
SUV AMG Night Edition Premium Plus	£2,450.00
SUV Premium Plus	£2,995.00
Coupé Premium	£1,495.00
Coupé Premium Plus	£2,795.00

	Premium (code DP0)	Premium Plus (code DP1)
Ambient lighting: LED lighting located in door trim, side of centre console, front door sills, cup holders, footwells, door handle recesses and overhead panel. Five dimming levels and three colours: solar (amber), polar (ice blue) and neutral (white)	■	■
KEYLESS-GO Comfort package: offering automatic powered boot closing, keyless start and hands-free access which allows contactless, fully automatic opening and closing of the boot lid by performing a kicking movement under the rear bumper	■	■
Memory package: driver's seat, front passenger seat, steering column – electrically adjustable with memory. Includes exterior mirror with parking position	■	■
Glass sunroof: a fixed panoramic glass rear section and an electrically-operated sliding glass front section, including electric roller sunblind (SUV); a sliding glass sunroof including a movable headlining (Coupé)	■	■
Burmester® surround sound system: 13 speakers and a 9-channel amplifier with total output of 590 W (7 × 50 W and 2 × 120 W)	–	■
COMAND Online system with touchpad: 8.4-inch high-resolution colour display, touchpad, hard disk drive (HDD) navigation with 3D map display, Live Traffic Information and European map data updates free of charge for the first three years. Single CD/DVD, Speed Limit Assist, Traffic Sign Assist and LINGUATRONIC voice control. Mercedes me connect services, emergency call system (eCall) and access to internet sites when vehicle is stationary, plus unrestricted use of Mercedes-Benz apps (internet-enabled mobile phone required). Integrated WLAN hotspot for onboard access of WLAN-enabled devices. Also includes 10 GB music register and MP3 compatibility	–	■



Book a [test drive](#)
[AMG test drive](#)



[Find a Retailer](#)



[View the Range Guide](#)

Mercedes-AMG GLC 63 4MATIC+



Lower left: Coupé features optional designo hyacinth red metallic paint (code 996) and Night package (code P55). Interiors feature optional black ash wood-look trim (code 736)



Book a [test drive](#)
[AMG test drive](#)



[Find a Retailer](#)



[View the Range Guide](#)

A GLC with powerful performance written all over it, the Mercedes-AMG GLC 63 4MATIC+ features 'V8 BITURBO 4MATIC+' lettering on the front wings, as well as AMG bodystyling, 19" AMG alloy wheels with a 10-spoke design and silver brake calipers. Both the signature AMG-specific grille with vertical louvres and the AMG sports exhaust with twin tailpipe carry the AMG logo. You'll also find the famous letters inside, on the AMG sports seats with nappa

leather upholstery and the AMG instrument panel. For excellent handling and grip, the black nappa leather AMG Performance steering wheel is fitted with a flattened bottom section and perforated leather in the grip area. To get you in the right mood for driving choose between five dimming levels and three colours of ambient lighting.

In addition/replacement to Mercedes-AMG GLC 43 4MATIC:

Exterior

- 19" AMG alloy wheels – 10-spoke design, painted titanium grey with a high-sheen finish

- AMG bodystyling – front apron, side skirts and rear apron with diffuser fins

- AMG mechanical rear axle differential lock

- AMG-specific radiator grille with black vertical louvres, trim strip in high-gloss chrome and 'AMG' lettering

- AMG sports exhaust system with two chrome-plated twin tailpipe trim elements and embossed 'AMG' logo

- AMG sports suspension

- Brake calipers – silver with 'AMG' lettering

- 'V8 BITURBO 4MATIC+' lettering on front wings

Interior

- Memory package

- Ambient lighting – five dimming levels and three colours

- AMG instrument cluster

- AMG Performance multifunction steering wheel in nappa leather in a 3-spoke design with perforation in the grip area and flattened bottom section, with silver-coloured aluminium gearshift paddles and 12-o'clock marking

- AMG sports seats with nappa leather upholstery

- Seat belts – black

Trim and Upholstery

High-gloss black with aluminium door inlays



Black nappa leather





Book a [test drive](#)
[AMG test drive](#)



[Find a Retailer](#)



[View the Range Guide](#)

Mercedes-AMG GLC 63 S 4MATIC+



Optional 21" AMG cross-spoke forged wheels painted black with high-shine rim flange (code RWE). Interiors feature optional AMG carbon fibre with aluminium (code H73). Interior does not show standard AMG Performance seats. Top image: optional nappa leather in red pepper (code 857A).



Here's to unique touches to highlight the sportiness of your GLC. Aside from the obligatory 'V8 BITURBO 4MATIC+' lettering, you'll recognise it by its AMG bodystyling complete with diffuser fins in matt iridium silver. The striking 20" alloy wheels reveal red brake calipers. For excellent stability in every corner, the Mercedes-AMG GLC 63 S 4MATIC+ also comes with AMG

electronic rear axle differential lock. Inside you'll find AMG Performance seats clad in nappa leather upholstery with crystal grey seat belts to match the AMG Performance steering wheel with nappa leather/DINAMICA microfibre. The AMG instrument panel carries vital performance information, while the ambient lighting can be adjusted with a choice of three colours.

In addition/replacement to Mercedes-AMG GLC 63 4MATIC+:

Exterior

20" AMG alloy wheels – 5-twin-spoke design, painted titanium grey with a high-sheen finish

AMG bodystyling – front apron, side skirts and rear apron with diffuser fins in matt iridium silver

AMG electronic rear axle differential lock

Brake calipers – red with 'AMG' lettering

Interior

AMG Performance multifunction steering wheel in nappa leather/DINAMICA microfibre in a 3-spoke design with flattened bottom section, steering wheel bezel in silver chrome with 'AMG' lettering, silver-coloured aluminium gearshift paddles and 12 o'clock marking

AMG Performance seats

AMG Track Pace

Seat belts – crystal grey

Trim and Upholstery

High-gloss black with aluminium door inlays



Black nappa leather





Book a [test drive](#)
[AMG test drive](#)



[Find a Retailer](#)



[View the Range Guide](#)

Mercedes-AMG GLC 63 S 4MATIC+ Edition 1





The Mercedes-AMG GLC 63 S 4MATIC+ Edition 1 truly shines with 21" AMG alloy wheels with a cross-spoke forged design and yellow rim flange revealing gold brake calipers, as well as yellow AMG decals on mirrors and side sill panels. The designo selenite grey magno paint is reserved exclusively for the Edition 1. The AMG Performance exhaust hints at the powerful V8 BITURBO engine. Meanwhile, the AMG Aerodynamics package and the LED Intelligent

Light System ensure highly-rewarding performance on the road. The glass sunroof reveals the interior with nappa leather AMG Performance seats, dashboard in ARTICO leather¹, and AMG Performance steering wheel – all featuring yellow contrast stitching. Plus the Burmester[®] surround sound system guarantees a fantastic listening experience.

In addition/replacement to Mercedes-AMG GLC 63 S 4MATIC+:

Exterior

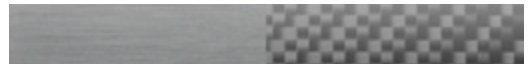
- 21" AMG alloy wheels – cross-spoke forged design, painted black with yellow rim flange
- AMG Aerodynamics package
- AMG Night package
- AMG bodystyling
- AMG ceramic high-performance composite brake system
- AMG decals in yellow on exterior mirrors and above sill panels
- AMG Performance exhaust
- Brake calipers – gold with 'AMG' lettering
- designo selenite grey magno paint, exclusively for the Edition 1
- LED Intelligent Light System
- Panoramic sliding glass sunroof (SUV only)
- Sliding glass sunroof (Coupé only)

Interior

- KEYLESS-GO Comfort package
- AMG matt carbon fibre trim
- AMG Performance multifunction steering wheel in nappa leather/DINAMICA microfibre in a 3-spoke design with flattened bottom section, yellow contrast topstitching and chrome inserts with 'Edition 1' lettering
- AMG Performance seats in nappa leather with diamond design and yellow contrast stitching
- ARTICO leather¹ dashboard in nappa leather look with yellow contrast stitching; yellow highlights on the instrument cluster
- Burmester[®] surround sound system
- Floor mats – black with 'AMG' lettering and yellow topstitching
- Seat belts – black

Trim and Upholstery

AMG matt carbon fibre



Black nappa leather in diamond design with yellow contrast topstitching



¹Man-made leather



Book a [test drive](#)
[AMG test drive](#)



[Find a Retailer](#)



[View the Range Guide](#)

Premium equipment line for Mercedes-AMG GLC 63 4MATIC+ and GLC 63 S 4MATIC+ (standard on Edition 1)



Exclusive package



KEYLESS-GO Comfort package



Burmester® surround sound system



LED Intelligent Light System



Panoramic sliding glass sunroof (SUV only)



There are so many ways to enhance the look and character of your GLC. The Premium equipment line allows you to add features including the KEYLESS-GO Comfort package, advanced technology with the LED Intelligent Light System, or special touches like the glass sunroof (sliding glass sunroof for Coupé or panoramic glass sunroof for SUV). You can also turn your GLC into a moving concert hall with a Burmester® surround sound system.

Premium equipment line – designed and priced as a package, including items as listed below.

Mercedes-AMG GLC 63 4MATIC+ and GLC 63 S 4MATIC+

SUV

Total incl. VAT £2,595.00

Coupé

£2,395.00

Standard on Mercedes-AMG GLC 63 S 4MATIC+ Edition 1 SUV and Coupé

Item	Notes	Premium (code DPO)
Exclusive package	ARTICO leather ² dashboard and door beltlines in nappa leather look with contrast stitching	■
KEYLESS-GO Comfort package	Offering hands-free access, automatic powered boot closing, keyless entry and keyless start. Includes chrome trim on top half of door handles	■
Burmester® surround sound system	13 speakers and a 9-channel amplifier with total output of 590 W (7 × 50 W and 2 × 120 W)	■
LED Intelligent Light System	LED High Performance headlamps, including Active Light System, cornering light function and Adaptive Highbeam Assist	■
Glass sunroof	A fixed panoramic glass rear section and an electrically-operated sliding glass front section, including electric roller sunblind (SUV); a sliding glass sunroof including a movable headlining (Coupé)	■



Exclusive driver training for Mercedes-AMG owners

All Mercedes-AMG customers are invited to a complimentary AMG Driving Academy Training experience at Mercedes-Benz World.



The AMG Driving Academy Training experience will prepare you to unleash the power and performance of an AMG model with confidence. This four-hour session, including a full safety briefing and debrief, will lay the foundation for mastering a high-performance vehicle on the handling circuits and dynamic low-friction surfaces, with manoeuvres including:

- Slalom handling (dynamic straight)
- Obstacle avoidance (wet straight and dynamic straight)
- Oversteer and understeer (wet skid circle)
- Cornering (handling circuit)

TERMS AND CONDITIONS

The following customers only are eligible: the first purchaser/registered keeper of a newly registered Mercedes-AMG. The complimentary Training as described in the brochure must be booked and taken within six months of delivery of your Mercedes-AMG. The Training is available Monday to Friday and is subject to availability. Requests for Saturday and Sunday will incur an additional charge. Upgrades are available for an additional cost: details upon request. Transferable to individuals who reside at the same postal address only. Mercedes-Benz Cars UK Limited reserves the right to amend or withdraw this Training experience. Attendees must hold a full UK driving licence. Attendees will be required to sign the Mercedes-Benz World Driving Risk Acknowledgement prior to undertaking the Training experience. The Training experience is also subject to the Mercedes-Benz World Terms and Conditions, as applicable. Invitation is emailed to the customer post-delivery. Permission via the customer contact preferences must be given to enable Mercedes-Benz World to contact. Retailer demonstrator vehicles are not eligible.



Book a [▶ test drive](#)
[▶ AMG test drive](#)



[▶ Find a Retailer](#)



[▶ View the Range Guide](#)





Pricing summary for model and equipment lines – SUV

Model	Transmission	Recommended OTR price (£) ¹					
		Sport	Sport Premium	Sport Premium Plus	AMG Night Edition	AMG Night Edition Premium	AMG Night Edition Premium Plus
GLC 220 d 4MATIC	9G-TRONIC PLUS 9-speed automatic	39,515.00	41,210.00	42,510.00	41,340.00	-	43,790.00
GLC 250 d 4MATIC	9G-TRONIC PLUS 9-speed automatic	40,670.00	42,365.00	43,665.00	42,495.00	-	44,945.00
GLC 350 d 4MATIC	9G-TRONIC PLUS 9-speed automatic	45,360.00	47,055.00	48,355.00	47,185.00	-	49,635.00
GLC 250 4MATIC	9G-TRONIC PLUS 9-speed automatic	39,715.00	41,410.00	42,710.00	41,540.00	-	43,990.00
		Mercedes-AMG	Mercedes-AMG Premium	Mercedes-AMG Premium Plus			
Mercedes-AMG GLC 43 4MATIC	9G-TRONIC PLUS 9-speed automatic	49,885.00	51,580.00	52,880.00			
Mercedes-AMG GLC 63 4MATIC+	AMG SPEEDSHIFT MCT 9-speed auto.	69,755.00	72,350.00	-			
Mercedes-AMG GLC 63 S 4MATIC+	AMG SPEEDSHIFT MCT 9-speed auto.	76,505.00	79,100.00	-			
Mercedes-AMG GLC 63 S 4MATIC+ Edition 1	AMG SPEEDSHIFT MCT 9-speed auto.	91,659.00	-	-			

¹The recommended on-the-road price includes the Road Fund Licence applicable to the standard model plus delivery charge (£635.00 incl. VAT), new vehicle registration fee (£55.00) and number plates (£25.00 incl. VAT). VAT is calculated at the standard rate of 20%



Pricing summary for model and equipment lines – Coupé

Model	Transmission	Recommended OTR price (£) ¹					
		Sport	Sport Premium	Sport Premium Plus	AMG Line	AMG Line Premium	AMG Line Premium Plus
GLC 220 d 4MATIC	9G-TRONIC PLUS 9-speed automatic	42,390.00	43,885.00	45,185.00	43,885.00	45,380.00	46,680.00
GLC 250 d 4MATIC	9G-TRONIC PLUS 9-speed automatic	43,545.00	45,040.00	46,340.00	45,040.00	46,535.00	47,835.00
GLC 350 d 4MATIC	9G-TRONIC PLUS 9-speed automatic	48,865.00	50,360.00	51,660.00	50,360.00	51,855.00	53,155.00
GLC 250 4MATIC	9G-TRONIC PLUS 9-speed automatic	42,590.00	44,085.00	45,385.00	44,085.00	45,580.00	46,880.00
		Mercedes-AMG	Mercedes-AMG Premium	Mercedes-AMG Premium Plus			
Mercedes-AMG GLC 43 4MATIC	9G-TRONIC PLUS 9-speed automatic	52,375.00	53,870.00	55,170.00			
Mercedes-AMG GLC 63 4MATIC+	AMG SPEEDSHIFT MCT 9-speed auto.	72,245.00	74,640.00	-			
Mercedes-AMG GLC 63 S 4MATIC+	AMG SPEEDSHIFT MCT 9-speed auto.	78,995.00	81,390.00	-			
Mercedes-AMG GLC 63 S 4MATIC+ Edition 1	AMG SPEEDSHIFT MCT 9-speed auto.	94,054.00	-	-			

¹The recommended on-the-road price includes the Road Fund Licence applicable to the standard model plus delivery charge (£635.00 incl. VAT), new vehicle registration fee (£55.00) and number plates (£25.00 incl. VAT). VAT is calculated at the standard rate of 20%



Book a [test drive](#)
[AMG test drive](#)



[Find a Retailer](#)



[View the Range Guide](#)

Standard equipment



Reversing camera



EASY-PACK automatic powered tailgate



KEYLESS-GO starting function



Lockable luggage compartment floor



THERMATIC automatic climate control



DYNAMIC SELECT



Item	Urban Edition	Sport	AMG Line	AMG Night Edition	GLC 43 4MATIC	GLC 63 4MATIC+	GLC 63 S 4MATIC+	GLC 63 S 4MATIC+ Edition 1
Transmission and Suspension								
AMG Driver's package Includes an increase to your vehicle's electronically-limited top speed (167mph for GLC 63 or 174mph for GLC 63 S)	-	-	-	-	-	○	●	●
4MATIC permanent four-wheel drive	●	●	●	●	-	-	-	-
9G-TRONIC PLUS 9-speed automatic transmission with steering column gear selector, DIRECT SELECT steering wheel gearshift paddles and SPEEDTRONIC cruise control with variable speed limiter	●	●	●	●	●	-	-	-
AGILITY CONTROL comfort suspension (SUV only)	●	●	-	-	-	-	-	-
AIR BODY CONTROL air suspension for front and rear axles with continuously adjustable damping	-	○	○	○	●	●	●	●
AMG electronic rear-axle limited-slip differential	-	-	-	-	-	-	●	●
AMG mechanical rear axle differential lock	-	-	-	-	-	●	-	-
AMG Performance 4MATIC+	-	-	-	-	-	●	●	●
AMG Performance 4MATIC with torque distribution of 31:69 (front/rear)	-	-	-	-	●	-	-	-
AMG SPEEDSHIFT MCT 9-speed automatic sports transmission steering wheel gearshift paddles and RACE START function	-	-	-	-	-	●	●	●

Item	Urban Edition	Sport	AMG Line	AMG Night Edition	GLC 43 4MATIC	GLC 63 4MATIC+	GLC 63 S 4MATIC+	GLC 63 S 4MATIC+ Edition 1
DYNAMIC SELECT with a choice of driving modes: 'Comfort', 'Eco', 'Sport', 'Sport+' and 'Individual'	●	●	●	●	●	●	●	●
ECO start/stop function	●	●	●	●	●	●	●	●
Sports suspension tuned for improved handling and driving dynamics (Coupé only)	-	●	-	-	-	-	-	-
Sports suspension tuned for improved handling and driving dynamics (SUV only)	-	-	●	●	-	-	-	-



Item	Urban Edition	Sport	AMG Line	AMG Night Edition	GLC 43 4MATIC	GLC 63 4MATIC+	GLC 63 S 4MATIC+	GLC 63 S 4MATIC+ Edition 1
Exterior								
AMG Aerodynamics package Additional large front spoiler Enlarged rear diffuser with diffuser spoiler lip Specific spoiler lip in the rear area in high-gloss black	-	-	-	-	-	-	-	●
AMG Night package	-	-	-	-	-	○	○	●
Mirror package – electrically folding mirrors and automatically dimming exterior driver’s mirror and rear-view mirror	-	●	●	●	●	●	●	●
Night package 20" alloys, bicolour Front and rear apron in black Includes two high-gloss black louvres in the radiator grille, high-gloss black exterior mirrors, beltline trim strips, roof rails and weatherstrip	●	-	○	●	○	-	-	-
Active Parking Assist with PARKTRONIC Active Parking Assist controls steering inputs automatically to help you manoeuvre into a parking space PARKTRONIC’s 12 ultrasonic sensors in the front and rear bumpers provide a visible and audible warning to the driver when parking	-	●	●	●	●	●	●	●
AMG bodystyling – front apron, rear apron and side skirts	-	-	●	●	●	-	-	-
AMG bodystyling – front apron, side skirts and rear apron with diffuser fins	-	-	-	-	-	●	●	●

Item	Urban Edition	Sport	AMG Line	AMG Night Edition	GLC 43 4MATIC	GLC 63 4MATIC+	GLC 63 S 4MATIC+	GLC 63 S 4MATIC+ Edition 1
AMG rear apron with diffuser fins and diffuser board with trim strip in matt iridium silver	-	-	-	-	-	-	●	-
AMG side sill panels with inserts in matt iridium silver	-	-	-	-	-	-	●	-
AMG spoiler lip in the vehicle colour	-	-	-	-	-	●	●	-
AMG spoiler lip in high-gloss black	-	-	-	-	-	-	-	●
AMG yellow sports stripes (decals) on exterior mirrors and above sill panels	-	-	-	-	-	-	-	●
Badging – ‘BITURBO 4MATIC’ lettering on front wings	-	-	-	-	●	-	-	-
Badging – ‘V8 BITURBO 4MATIC+’ lettering on front wings	-	-	-	-	-	●	●	●
Beltline trim strip and window surround in high-gloss black	●	-	-	●	●	-	-	●
Brake calipers – with ‘Mercedes-Benz’ lettering and perforated front brake discs	-	-	●	●	-	-	-	-
Brake calipers – with ‘AMG’ lettering and perforated front brake discs	-	-	-	-	●	-	-	-
Brake calipers – silver with ‘AMG’ lettering	-	-	-	-	-	●	-	-
Brake calipers – red with ‘AMG’ lettering	-	-	-	-	-	-	●	-
Brake calipers – gold with ‘AMG’ lettering	-	-	-	-	-	-	-	●
Chrome trim – front, side and rear	-	●	●	-	-	●	●	-
Diesel Particulate Filter (DPF) – diesel models only	●	●	●	●	-	-	-	-



Item	Urban Edition	Sport	AMG Line	AMG Night Edition	GLC 43 4MATIC	GLC 63 4MATIC+	GLC 63 S 4MATIC+	GLC 63 S 4MATIC+ Edition 1
Exterior (continued)								
EASY-PACK powered tailgate The EASY-PACK boot lid can be opened and closed at the touch of a button for more convenient loading and unloading of the boot	●	●	●	●	●	●	●	●
Exhaust – AMG sports exhaust system	-	-	-	-	-	●	●	-
Exhaust – AMG Performance exhaust system	-	-	-	-	-	○	○	●
Exterior mirrors – heated and electrically adjustable	-	●	●	●	●	●	●	●
Fuel tank – 66 litres (standard with GLC 250 petrol engine)	-	○	○	○	●	●	●	●
Headlamp Assist – automatic headlamp activation	●	●	●	●	●	●	●	●
Headlamps – LED High Performance headlamps with integral LED daytime running lamps	●	●	●	●	●	●	●	●
Headlamps – LED Intelligent Light System	-	○	○	○	○	○	○	●
Panoramic electric glass sunroof (SUV only)	-	△	△	●	△	△	△	●
Petrol Particulate Filter (PPF) – petrol models only	●	●	●	●	●	●	●	●
Privacy glass – dark glass from B-pillar backwards	●	●	●	●	●	●	●	●
Radiator grille with integrated star – two chrome-trimmed louvres (SUV only)	-	●	●	-	-	-	-	-
Radiator grille with integrated star – two black-trimmed louvres	●	-	-	●	-	-	-	-
Radiator grille with integrated star – diamond grille design, black pins (Coupé only)	-	●	-	-	-	-	-	-

Item	Urban Edition	Sport	AMG Line	AMG Night Edition	GLC 43 4MATIC	GLC 63 4MATIC+	GLC 63 S 4MATIC+	GLC 63 S 4MATIC+ Edition 1
Radiator grille with integrated star – diamond grille design, chrome pins (Coupé only)	-	-	●	-	-	-	-	-
Radiator grille with integrated star – diamond grille design, chrome pins	-	-	-	-	●	-	-	-
Radiator grille – AMG-specific grille with black vertical louvres, trim strip in high-gloss chrome and ‘AMG’ lettering	-	-	-	-	-	●	●	●
Rain-sensing windscreen wipers	●	●	●	●	●	●	●	●
Roof rails – aluminium finish (SUV only)	-	●	●	-	●	●	●	-
Roof rails – matt black (SUV only)	●	-	-	●	-	△	△	●
Sliding glass sunroof (Coupé only)	-	△	△	-	△	△	△	●
Tail lamps – LED	●	●	●	●	●	●	●	●
Tailpipe – visible tailpipe exhaust trim integrated into rear bumper	●	●	●	●	-	-	-	-
Tailpipe – two twin tailpipe trim elements	-	-	-	-	●	-	-	-
Tailpipe – two chrome-plated twin tailpipe trim elements	-	-	-	-	-	●	●	-
Tailpipe – black chrome-plated twin tailpipe trim elements	-	-	-	-	-	-	-	●
Tinted glass all round – single-layer safety glass	●	●	●	●	●	●	●	●



Book a [test drive](#)
[AMG test drive](#)



[Find a Retailer](#)



[View the Range Guide](#)

Standard equipment

Item	Urban Edition	Sport	AMG Line	AMG Night Edition	GLC 43 4MATIC	GLC 63 4MATIC+	GLC 63 S 4MATIC+	GLC 63 S 4MATIC+ Edition 1
Interior								
Interior Lighting package – lighting of footwells, door handle recesses, as well as rear reading lamps (LED) and courtesy lights in all doors, illuminated vanity mirrors	●	●	●	●	●	●	●	●
KEYLESS-GO Comfort package	-	△	△	△	△	△	△	●
Memory package Driver's seat, front passenger seat, steering column and exterior mirrors – electrically adjustable with memory	-	△	△	△	△	●	●	●
Stowage package Including tensioning strap in centre console stowage compartment, two rolled-up fluorescent jackets in stowage pockets in front door panels, map pockets on front seat backs, retaining net on luggage compartment floor, collapsible box, lockable luggage compartment floor, 12V socket and power release for rear seat backrests	-	●	●	●	●	●	●	●
Ambient lighting	-	△	△	●	△	●	●	●
EASY-PACK load compartment cover (removable)	-	●	●	●	●	●	●	●
Electric windows (4) – one-touch opening and closing, including obstruction sensors	●	●	●	●	●	●	●	●
Floor mats – velour mats in interior colour Coloured the same as the car's appointments, the velour floor mats fit in perfectly with the high-quality interior and effectively protect the footwell against soiling	●	●	-	-	-	-	-	-
Floor mats – AMG floor mats with edging and embroidered 'AMG' lettering	-	-	●	●	-	-	-	-

Item	Urban Edition	Sport	AMG Line	AMG Night Edition	GLC 43 4MATIC	GLC 63 4MATIC+	GLC 63 S 4MATIC+	GLC 63 S 4MATIC+ Edition 1
Floor mats – black with 'AMG' lettering and red piping	-	-	-	-	●	-	-	-
Floor mats – black with 'AMG' lettering	-	-	-	-	-	●	●	-
Floor mats – black with 'AMG' lettering and yellow piping	-	-	-	-	-	-	-	●
Front door sill panels with 'Mercedes-Benz' lettering	●	●	●	●	-	-	-	-
Front door sill panels with 'AMG' lettering	-	-	-	-	●	●	●	●
Instrument cluster with 5.5-inch TFT multifunction display	●	●	●	●	●	●	●	●
KEYLESS-GO starting function	●	●	●	●	●	●	●	●
Outside temperature display, rear seat belt status indicator	●	●	●	●	●	●	●	●
Seats – front, electric adjustment (backrest, height and seat cushion inclination) with four-way electric lumbar support and manual seat cushion depth adjustment (6 cm)	-	●	●	●	●	-	-	-
Seats – front, heated	●	●	●	●	●	●	●	●
Seats – AMG Performance	-	-	-	-	-	○	●	●
Sports pedals in brushed stainless steel with rubber studs	-	-	●	●	●	●	●	●
Stowage – dividing net for luggage compartment partitioning and occupant protection	-	●	●	●	●	●	●	●
Stowage – double cup holder in centre console	●	●	●	●	●	●	●	●
Stowage – illuminated and lockable glove compartment	●	●	●	●	●	●	●	●
Sun visors with illuminated vanity mirrors	●	●	●	●	●	●	●	●
THERMATIC – automatic climate control	●	●	●	●	●	●	●	●



Book a [test drive](#)
[AMG test drive](#)



[Find a Retailer](#)



[View the Range Guide](#)

Standard equipment

Item	Urban Edition	Sport	AMG Line	AMG Night Edition	GLC 43 4MATIC	GLC 63 4MATIC+	GLC 63 S 4MATIC+	GLC 63 S 4MATIC+ Edition 1
Steering								
Steering – AMG two-stage speed-sensitive sports steering	-	-	-	-	●	●	●	●
Steering – Direct-Steer speed sensitive steering	●	●	●	●	-	-	-	-
Steering column – manually adjustable for height and reach	●	●	●	●	●	-	-	-
Steering wheel – 3-spoke multifunction steering wheel, trimmed in leather	●	●	-	-	-	-	-	-
Steering wheel – 3-spoke multifunction AMG steering wheel in black leather with flattened bottom section and chrome inserts, and perforated leather in grip area	-	-	●	●	-	-	-	-
Steering wheel – 3-spoke multifunction sports steering wheel in black leather with flattened bottom section, deep embossing in grip area and red contrast stitching	-	-	-	-	●	-	-	-
Steering wheel – 3-spoke AMG Performance steering wheel in nappa leather with flattened bottom section, silver-coloured aluminium gearshift paddles and 12 o'clock marking, and perforated leather in grip area	-	-	-	-	-	●	-	-
Steering wheel – 3-spoke AMG Performance steering wheel in nappa leather/DINAMICA microfibre with flattened bottom section, bezel in silver chrome with 'AMG' lettering, silver-coloured aluminium gearshift paddles and 12 o'clock marking	-	-	-	-	-	-	●	-
Steering wheel – AMG Performance steering wheel in DINAMICA microfibre all round, with flattened bottom section, yellow 12 o'clock marking and yellow contrast topstitching, bezel in silver chrome with 'Edition 1' lettering, and silver-coloured aluminium gearshift paddles	-	-	-	-	-	-	-	●

Item	Urban Edition	Sport	AMG Line	AMG Night Edition	GLC 43 4MATIC	GLC 63 4MATIC+	GLC 63 S 4MATIC+	GLC 63 S 4MATIC+ Edition 1
Paint, Trim and Upholstery								
Paint – designo magno	-	-	-	-	-	-	-	●
Paint – non-metallic	●	●	●	●	●	●	●	-
Trim – AMG matt carbon fibre	-	-	-	-	-	-	-	●
Trim – black ash wood look	-	●	●	●	○	○	○	-
Trim – high-gloss black	●	-	-	-	-	-	-	-
Trim – high-gloss black with aluminium door trims	-	-	-	-	●	●	●	-
Upholstery – ARTICO leather ¹	●	●	●	●	-	-	-	-
Upholstery – ARTICO leather ¹ dashboard	-	-	-	-	-	●	●	-
Upholstery – ARTICO leather ¹ dashboard in nappa leather look with yellow contrast stitching	-	-	-	-	-	-	-	●
Upholstery – ARTICO leather ¹ dashboard with red contrast stitching	-	-	-	-	●	-	-	-
Upholstery – ARTICO leather ¹ /DINAMICA with red contrast stitching	-	-	-	-	●	-	-	-
Upholstery – black nappa leather in diamond design with yellow contrast topstitching	-	-	-	-	-	-	-	●
Upholstery – nappa leather	-	-	-	-	-	●	●	-



Item	Urban Edition	Sport	AMG Line	AMG Night Edition	GLC 43 4MATIC	GLC 63 4MATIC+	GLC 63 S 4MATIC+	GLC 63 S 4MATIC+ Edition 1
Safety and Assistance Systems								
Active bonnet – pedestrian safety measure which detects an impact and raises bonnet	●	●	●	●	●	●	●	●
Active Parking Assist with PARKTRONIC Active Parking Assist controls steering inputs automatically to help you manoeuvre into a parking space. PARKTRONIC's 12 ultrasonic sensors in the front and rear bumpers provide a visible and audible warning to the driver when parking	–	●	●	●	●	●	●	●
Adaptive brake lights	●	●	●	●	●	●	●	●
ADAPTIVE BRAKE system with HOLD function and dry braking in the wet	●	●	●	●	●	●	●	●
Alarm system with immobiliser and interior protection	●	●	●	●	●	●	●	●
AMG high-performance braking system	–	–	–	–	–	●	●	–
AMG high-performance ceramic composite braking system	–	–	–	–	–	–	○	●
ATTENTION ASSIST Continuously analyses driver behaviour and steering movements. If patterns are recognised which characterise drowsiness, the driver is prompted to take a break, and an audible warning is sounded	●	●	●	●	●	●	●	●
Automatic child seat recognition sensor	●	●	●	●	●	●	●	●

Item	Urban Edition	Sport	AMG Line	AMG Night Edition	GLC 43 4MATIC	GLC 63 4MATIC+	GLC 63 S 4MATIC+	GLC 63 S 4MATIC+ Edition 1
COLLISION PREVENTION ASSIST PLUS The driver is given a visual warning if the distance from a vehicle in front is inadequate. On detecting the danger of a collision there is an acoustic warning, driver braking can be assisted and, if the driver fails to react, the speed can be reduced autonomously. Autonomous partial braking only occurs if the driver fails to react and is travelling at a speed range between 4–65 mph speeds for moving objects and 4–31 mph for stationary objects	●	●	●	●	●	●	●	●
Dual-stage airbags – driver and front passenger; driver kneebag and windowbags for driver, front passenger and rear passengers	●	●	●	●	●	●	●	●
Electric parking brake	●	●	●	●	●	●	●	●
Electronic Stability Programme (ESP®) with Curve Dynamic Assist and Crosswind Assist For greater driving safety and stability, in particular when accelerating on bends; counters understeer by one-sided braking action. Detects sudden, strong gusts of wind and helps the driver stay in lane by means of targeted braking	●	●	●	●	●	●	●	●
ISOFIX child seat attachment points with top tether in rear (two outer seats)	●	●	●	●	●	●	●	●



Item	Urban Edition	Sport	AMG Line	AMG Night Edition	GLC 43 4MATIC	GLC 63 4MATIC+	GLC 63 S 4MATIC+	GLC 63 S 4MATIC+ Edition 1
Safety and Assistance Systems (continued)								
Parking Pilot with 360° camera (Coupé only)	-	-	-	-	●	●	●	●
Remote boot release	●	●	●	●	●	●	●	●
Reversing camera Reversing camera is replaced by 360° camera on Mercedes-AMG GLC 43/63/63 S Coupé	●	●	●	●	●	●	●	●
Service indicator ASSYST	●	●	●	●	●	●	●	●
TIREFIT tyre-sealant kit	●	●	●	●	●	●	●	●
Tyre pressure monitoring system	●	●	●	●	●	●	●	●

Item	Urban Edition	Sport	AMG Line	AMG Night Edition	GLC 43 4MATIC	GLC 63 4MATIC+	GLC 63 S 4MATIC+	GLC 63 S 4MATIC+ Edition 1
Communications and In-Car Entertainment								
AMG Track Pace – enables lap/sector times or even videos to be recorded and analysed. Only available on Apple iPhone. Free download via the App Store	-	-	-	-	-	-	●	●
Audio 20 CD with integrated Media Interface and Bluetooth® interface with hands-free telephony and audio streaming for music transmission	●	●	●	●	●	-	-	-
Burmester® surround sound system	-	△	△	△	△	△	△	●
COMAND Online system ¹ Hard disk drive (HDD) navigation with 3D map display, Live Traffic Information and European map data updates free of charge for the first three years. Single CD/DVD, Speed Limit Assist and LINGUATRONIC voice control. Access to internet sites when vehicle is stationary, plus unrestricted use of Mercedes-Benz apps (internet-enabled mobile phone required). Integrated WLAN hotspot for onboard access of WLAN-enabled devices. Also includes 10 GB music register and MP3 compatibility	-	△	△	△	△	●	●	●
DAB digital radio tuner	-	●	●	●	●	●	●	●

● Standard ○ Optional - Not available △ Available only in conjunction with, or as part of, an option package

¹COMAND Online functionality and Wi-Fi connectivity is dependent on a compatible cellular data connection. Please check with your local Mercedes-Benz Retailer on network compatibility



Item	Urban Edition	Sport	AMG Line	AMG Night Edition	GLC 43 4MATIC	GLC 63 4MATIC+	GLC 63 S 4MATIC+	GLC 63 S 4MATIC+ Edition 1
Communications and In-Car Entertainment (continued)								
Garmin® MAP PILOT navigation system with Live Traffic Information Operation via controller or voice control. SD card navigation with instructions shown on 7-inch high-resolution colour display and in the instrument cluster. Includes 3D views with visualisation of roads and buildings as well as junction and lane assistants, making it easy for drivers to orientate themselves. Spoken instructions are emitted through vehicle's built-in speakers. Software and map can be updated online	●	●	●	●	●	-	-	-
High-resolution 7-inch multimedia colour display	●	●	●	●	●	-	-	-
High-resolution 8.4-inch multimedia colour display	-	△	△	△	△	●	●	●
Mercedes me connect (standard services) Including emergency call system (eCall), accident recovery, breakdown and maintenance management	●	●	●	●	●	●	●	●
Mercedes me connect – Remote Online Services Please see page 90 for further information	●	●	●	●	●	●	●	●
Pre-wiring for Garmin® MAP PILOT navigation system	●	●	●	●	●	-	-	-

Item	Urban Edition	Sport	AMG Line	AMG Night Edition	GLC 43 4MATIC	GLC 63 4MATIC+	GLC 63 S 4MATIC+	GLC 63 S 4MATIC+ Edition 1
Smartphone integration comprising Android Auto and Apple CarPlay™ Please check on www.apple.com/uk/ios/carplay/ for compatibility and approved apps. Certain features and apps require a 3G or 4G data connection. Control of features available through voice control and controller on centre console	●	○	○	○	○	-	-	-
Speakers with Frontbass (5)	●	●	●	●	●	●	●	●
USB ports (2) in centre console	●	●	●	●	●	●	●	●



Book a [test drive](#)
[AMG test drive](#)






[Find a Retailer](#)






[View the Range Guide](#)

A revolution in style




Item	Notes		Urban Edition	Sport	AMG Line	AMG Night Edition	GLC 43 4MATIC	GLC 63 4MATIC+	GLC 63 S 4MATIC+	GLC 63 S 4MATIC+ Edition 1	Basic RRP excl. VAT (£)	Total RRP incl. VAT (£)
Wheels												
18" alloy wheels (4) – 5-spoke design, painted vanadium silver 235/60 tyres			R96	-	●	-	-	-	-	-	-	-
18" alloy wheels (4) – 5-spoke design, painted tremolite grey 235/60 tyres	SUV only		R31	-	△	-	-	-	-	-	Included in Off-Road package	
19" AMG alloy wheels (4) – 5-twin-spoke design, painted titanium grey 235/55 tyres	SUV only		638	-	-	-	-	-	△	△	△	Included with winter tyre swap or winter tyre swap & storage

● Standard ○ Optional - Not available △ Available only in conjunction with, or as part of, an option package






Item	Notes		Urban Edition	Sport	AMG Line	AMG Night Edition	GLC 43 4MATIC	GLC 63 4MATIC+	GLC 63 S 4MATIC+	GLC 63 S 4MATIC+ Edition 1	Basic RRP excl. VAT (£)	Total RRP incl. VAT (£)
Wheels (continued)												
19" AMG alloy wheels (4) – 5-twin-spoke design, painted titanium grey front: 235/55 tyres rear: 255/50 tyres	Coupé only. Not in conjunction with optional Night package (code P55)		RTA	-	-	●	-	-	-	-	-	-
19" AMG alloy wheels (4) – 5-twin-spoke design, bicolour 235/55 tyres	Image shows Mercedes-AMG GLC 43 4MATIC brakes, which are not available on AMG Line		99R	-	-	-	●	-	-	-	Included in Night package	
Mercedes-AMG GLC 43 4MATIC SUV / Coupé and GLC Coupé AMG Line front: 235/55 tyres rear: 255/50 tyres			RTB	-	-	△	-	●	-	-	-	-
20" alloy wheels (4) – 5-spoke design, bicolour 255/45 tyres			29R	●	-	-	-	-	-	-	-	-






Item	Notes		Urban Edition	Sport	AMG Line	AMG Night Edition	GLC 43 4MATIC	GLC 63 4MATIC+	GLC 63 S 4MATIC+	GLC 63 S 4MATIC+ Edition 1	Basic RRP excl. VAT (£)	Total RRP incl. VAT (£)
Wheels (continued)												
20" AMG alloy wheels (4) – multi-spoke design, painted titanium grey SUV: 255/45 tyres	Not in conjunction with optional Night package (code P55)		92R	-	-	○	-	-	-	-	495.83	595.00
20" AMG alloy wheels (4) – multi-spoke design, bicolour 255/45 tyres	Only in conjunction with optional Night package (code P55). Image shows Mercedes-AMG GLC 43 4MATIC brakes, which are not available on AMG Line		698	-	-	-	○	-	-	-	495.83	595.00
Mercedes-AMG GLC 43 4MATIC SUV/Coupé and GLC Coupé AMG Line front: 255/45 tyres rear: 285/40 tyres			93R	-	-	△	-	○	-	-		
21" AMG alloy wheels (4) – 5-twin-spoke design, bicolour SUV front: 255/40 tyres rear: 285/35 tyres			684	-	-	-	-	○	-	-	995.83	1,195.00



Item	Notes		Urban Edition	Sport	AMG Line	AMG Night Edition	GLC 43 4MATIC	GLC 63 4MATIC+	GLC 63 S 4MATIC+	GLC 63 S 4MATIC+ Edition 1	Basic RRP excl. VAT (£)	Total RRP incl. VAT (£)
Wheels (continued)												
19" AMG alloy wheels (4) – 10-spoke design, painted titanium grey with high-shine finish front: 235/55 tyres rear: 255/50 tyres		RVA	-	-	-	-	-	●	-	-	-	-
20" AMG alloy wheels (4) – 5-twin-spoke design, painted titanium grey with high-shine finish front: 265/45 tyres rear: 295/40 tyres		RZS	-	-	-	-	-	○	-	-	495.83	595.00
			-	-	-	-	-	-	●	-	-	-
20" AMG alloy wheels (4) – 5-twin-spoke design, painted matt black with high-shine finish front: 265/45 tyres rear: 295/40 tyres		RZT	-	-	-	-	-	△	△	-	Included in Night package	



Item	Notes		Urban Edition	Sport	AMG Line	AMG Night Edition	GLC43 4MATIC	GLC63 4MATIC+	GLC63 S 4MATIC+	GLC63 S 4MATIC+ Edition 1	Basic RRP excl. VAT (£)	Total RRP incl. VAT (£)
Wheels (continued)												
21" AMG cross-spoke forged wheels (4) - painted titanium grey with high-shine finish front: 265/40 tyres rear: 295/35 tyres		RWD	-	-	-	-	-	○	-	-	1,875.00	2,250.00
			-	-	-	-	-	-	○	-	1,133.33	1,360.00
21" AMG cross-spoke forged wheels (4) - painted black with high-shine rim flange front: 265/40 tyres rear: 295/35 tyres		RWE	-	-	-	-	-	○	-	-	2,083.33	2,500.00
			-	-	-	-	-	-	○	-	1,445.83	1,735.00
21" AMG cross-spoke forged wheels (4) - painted black with rim flange painted yellow front: 265/40 tyres rear: 295/35 tyres		RWG	-	-	-	-	-	-	-	●	-	-



Lane Tracking package



Blind Spot Assist



Lane Keeping Assist

The Lane Tracking package includes Blind Spot Assist and Lane Keeping Assist – highly intelligent features to help you stay safe on the road by making the drive more effortless, and to alert you to any emergency.

Lane Tracking package (code 22P) – designed and priced as a package, including items as listed below.

All models except Urban Edition and

Mercedes-AMG GLC 63 S 4MATIC+ Edition 1 Total incl. VAT £595.00

Lane Tracking package comprises:

Blind Spot Assist	Visible warning in exterior mirrors if a vehicle is detected in blind spot, audible warning if indicating to move out of lane
Lane Keeping Assist	Vibrates the steering wheel when detecting unintentional drifting out of lane



Driving Assistance package

This comprehensive package includes many advanced features to help keep you safe on the road: Active Blind Spot Assist monitors the obscure area to the side and rear. The innovative driver assistance system DISTRONIC PLUS cruise control helps to automatically maintain a safe distance from the vehicle ahead. Active Lane Keeping Assist is able to recognise when the vehicle is unintentionally drifting out of its lane, and duly warns the driver with pulsed vibrations on the steering wheel. Plus the renowned PRE-SAFE® safety system can detect critical road situations and initiate preventive safety measures.



Active Blind Spot Assist

Driving Assistance package (code 23P) – designed and priced as a package, including items as listed below.

All models except Urban Edition and

Mercedes-AMG GLC 63 S 4MATIC+ Edition 1 Total incl. VAT £1,695.00

Driving Assistance package comprises:

Active Blind Spot Assist	Displays a red triangle in the exterior mirrors: when a road user is detected in the blind spot, the red triangle flashes and an audible warning sounds if the driver operates the indicators. Includes course-correcting braking intervention
Active Lane Keeping Assist	Detects signs of inadvertent drifting out of lane and warns the driver by vibrating the steering wheel and, if necessary, will trigger one-sided braking intervention
BAS PLUS with Cross-Traffic Assist	Brake Assist System can lower the risk of rear-end collisions and support the driver during emergency braking by providing additional brake pressure
DISTRONIC PLUS with Steering Assist and Stop&Go Pilot	Helps the driver to maintain a safe distance to the vehicle in front and so relieves strain on the driver, especially on long journeys or in a traffic jam
PRE-SAFE® Brake	Warns the driver if it detects that a rear-end collision is imminent and, if there is no reaction, can take autonomous action to reduce the speed – even to the extent of full brake application



Night package



How to lend your GLC dramatic effect? Simply add the Night package. Available for the GLC AMG Line and Mercedes-AMG GLC 43 4MATIC, black design details add distinct character to the exterior. Front and rear apron are black entirely, as are the roof rails¹ and weatherstrip. You will also discover the louvres in the front grille to be high-gloss black, as are the exterior mirrors. Viewed from the side your eyes will naturally be drawn to matching black window strips all round, complemented by 19" bicolour 5-twin-spoke wheels (available only when choosing the Night package). Black tailpipe trim is featured on the GLC 43 4MATIC only.

Night package (code P55) – designed and priced as a package, including items as listed below.

AMG Line and Mercedes-AMG GLC 43 4MATIC² Total incl. VAT £595.00

Night package comprises:

19" alloy wheels (4) – 5-twin-spoke design, bicolour (code 99R) (AMG Line only)

Black tailpipe trim in twin-tailpipe design (Mercedes-AMG GLC 43 4MATIC only)

Black window strips

Front and rear apron in black

Radiator grille with two high-gloss black louvres, high-gloss black exterior mirrors, beltline trim strips, roof rails¹ and weatherstrip



¹SUV only ²Standard on AMG Night Edition



AMG Night package



The AMG Night package is specifically designed for Mercedes-AMG models. With many design details in high-gloss black, such as AMG side sill panel inserts, exterior mirror housings, waistline strip and window frame, the AMG Night package adds a distinct character to the exterior.

AMG Night package (code P60) – designed and priced as a package, including items as listed below.

**Mercedes-AMG GLC 63 4MATIC+
and GLC 63 S 4MATIC+**

Total incl. VAT £585.00

Standard on Mercedes-AMG GLC 63 S 4MATIC+ Edition 1

AMG Night package comprises:

AMG side sill panel inserts in high-gloss black

AMG sports exhaust system with two black chrome-plated twin tailpipe trim elements

Exterior mirror housings in high-gloss black

High-gloss black front splitter in AMG front apron

Roof rails¹ powder-coated in black matt

Trim strip on the rear apron in high-gloss black (Mercedes-AMG GLC 63 S 4MATIC+ only)

Waistline trim strip and window frame in high-gloss black



¹SUV only



Off-Road package

The Off-Road package combines a host of features that come in handy when taking your GLC off the beaten track. For off-road operation there are options for sand and light terrain, and also for difficult terrain.



Optional running boards and tow bar shown

An underguard for the engine, together with reinforced underfloor panelling the full length of the vehicle, helps to reduce damage caused, for example, by driving over obstacles.

Off-Road package (code DP9) – designed and priced as a package, including items as listed below.

SUV Sport only

Total incl. VAT £495.00

Off-Road package comprises:

18" alloy wheels (4) – 5-spoke design, painted tremolite grey (code R31)

Additional activation of ABS, ESP® and Electronic Traction System (ETS) modes specially configured for off-road terrain

Downhill Speed Regulation (DSR), located in centre console behind the Controller, centrally positioned in a chrome surround

Front bumper with greater approach angle

Guard under engine with reinforced underbody panelling

Off-road light function

At speeds up to 31 mph when vehicle is running in off-road driving mode this function allows broader and brighter illumination of the terrain – LED headlamp modules pan outwards by 6°, light is distributed symmetrically and light output is increased

Off-road suspension: +20 mm

Up to five off-road driving modes: 'Off-road', 'Incline', 'Slippery', 'Trailer' and 'Rocking Assist' (Rocking Assist only in conjunction with optional AIR BODY CONTROL air suspension, code 489)



Book a [test drive](#)
[AMG test drive](#)



[Find a Retailer](#)



[View the Range Guide](#)

Optional equipment



360° camera



AIR-BALANCE package



ARTICO leather¹ dashboard



Head-up display



Running boards



Tow bar

¹Man-made leather



Item	Notes								Basic RRP excl. VAT (£)	Total RRP incl. VAT (£)		
		Urban Edition	Sport	AMG Line	AMG Night Edition	GLC 43 4MATIC	GLC 63 4MATIC+	GLC 63 S 4MATIC+			GLC 63 S 4MATIC+ Edition 1	
AMG Performance Studio												
AMG Driver's package Includes an increase to your vehicle's electronically-limited top speed (167mph for GLC 63 or 174 mph for GLC 63 S)	Not available with 19" alloys	250	-	-	-	-	-	○	●	●	2,295.83	2,755.00
AMG Exterior Carbon-Fibre package 2 AMG carbon fibre exterior mirror housing AMG carbon fibre spoiler lip	SUV only	B28	-	-	-	-	-	○	○	-	1,050.00	1,260.00
AMG Night package AMG side sill panel inserts in high-gloss black AMG sports exhaust system with two black chrome-plated twin tailpipe trim elements Exterior mirror housings in high-gloss black High-gloss black front splitter in AMG front apron Roof rails powder-coated in matt black (SUV only) Trim strip on rear apron in high-gloss black (Mercedes-AMG GLC 63 S only) Waistline trim strip and window frame in high-gloss black		P60	-	-	-	-	-	○	○	●	487.50	585.00
AMG high-performance ceramic composite braking system		B07	-	-	-	-	-	○	●		3,570.83	4,285.00



Item	Notes	Urban Edition	Sport	AMG Line	AMG Night Edition	GLC43 4MATIC	GLC63 4MATIC+	GLC63 S 4MATIC+	GLC63 S 4MATIC+ Edition 1	Basic RRP excl. VAT (£)	Total RRP incl. VAT (£)
AMG Performance Studio (continued)											
AMG Performance exhaust Control button in centre console Sound characteristics tailored to transmission mode Two additional exhaust flaps		U78	-	-	-	-	○	○	●	833.33	1,000.00
AMG Performance seats Cushion depth adjustment Pneumatically-adjustable seat side bolsters Steep seat angle and optimum lateral support for dynamic driving		555	-	-	-	-	○	●	●	1,170.83	1,405.00
Suspension											
AIR BODY CONTROL air suspension for front and rear axles with continuously adjustable damping Damping at each wheel is adapted to the current driving situation, and can be set for more comfortable or sporty characteristics as required		489	-	○	○	●	●	●	●	1,245.83	1,495.00



Item	Notes									Basic RRP excl. VAT (£)	Total RRP incl. VAT (£)	
		Urban Edition	Sport	AMG Line	AMG Night Edition	GLC 43 4MATIC	GLC 63 4MATIC+	GLC 63 S 4MATIC+	GLC 63 S 4MATIC+ Edition 1			
Exterior												
360° camera Four networked cameras in front grille, wing mirrors and boot capture a 360° bird's-eye view of vehicle's immediate surroundings	Standard on Mercedes-AMG GLC 43/63/63 S Coupé	501	-	○	○	○	○	○	○	-	279.17	335.00
All-season run-flat tyres for 19" and 20" wheels (SUV only) Improve cold weather grip and refinement	Increases CO ₂ - please see technical data	R02	-	-	○	○	-	-	-	-	no-cost option	
Fuel tank - 66-litre	Standard in conjunction with GLC 250 petrol engine	916	-	○	○	○	●	●	●	●	37.50	45.00
Headlamps - LED Intelligent Light System Automatically adapts the light intensity appropriately to weather, lighting and speed. The integrated Highbeam Assist automatically adjusts the high and low beam to traffic situation. The cornering function automatically pivots headlamps in upcoming bends to ensure maximal visibility. The 'coming home' function lets the front headlamps illuminate blue when opening and closing the vehicle via key		641	-	○	○	○	○	○	○	●	454.17	545.00
Running boards with rubber studs		846	-	○	○	○	○	○	○	-	375.00	450.00
Tow bar, fully electric - includes 13-pin socket When ordering, please discuss with your Retailer any specific electrical towing requirements		550	-	○	○	○	○	○	○	-	625.00	750.00



Item	Notes									Basic RRP excl. VAT (£)	Total RRP incl. VAT (£)
		Urban Edition	Sport	AMG Line	AMG Night Edition	GLC43 4MATIC	GLC63 4MATIC+	GLC63 S 4MATIC+	GLC63 S 4MATIC+ Edition 1		
Interior											
ARTICO leather ¹ dashboard		U09	-	-	○	●	●	●	●	333.33	400.00
Black seat belts		-	●	●	●	-	●	-	●	-	-
Red seat belts		Y05 U17	-	-	-	○	-	○	-	no-cost option	
Head-up display Virtual colour image (21 × 7 cm) showing driver-related information, such as vehicle speed, directly into the driver's field of vision		463	-	○	○	○	○	○	-	687.50	825.00
Paint, Trim and Upholstery											
Paint - metallic		¹	○	○	○	○	○	○	-	570.83	685.00
Paint - designo metallic		¹	○	○	○	○	○	○	●	745.83	895.00
Trim - AMG carbon fibre with aluminium	Please check with your Retailer for availability	H73	-	○	○	○	○	○	-	454.17	545.00
Trim - fineline light brown wood		H24	-	○	○	-	-	-	-	no-cost option	
Trim - high-gloss black with aluminium		739	-	○	○	●	●	●	-	no-cost option	
Trim - open-pore black ash wood/light longitudinal-grain aluminium		737	-	-	-	○	○	○	-	162.50	195.00
Upholstery - leather		¹	○	○	○	○	-	-	-	662.50	795.00



Item	Notes	P21	Urban Edition	Sport	AMG Line	AMG Night Edition	GLC43 4MATIC	GLC63 4MATIC+	GLC63 S 4MATIC+	GLC63 S 4MATIC+ Edition 1	Basic RRP excl. VAT (£)	Total RRP incl. VAT (£)
Comfort												
AIR-BALANCE package Interior fragrance dispenser. Fragrance can be changed by exchanging the flasks in the glove compartment. Intensity and duration of fragrance diffusion can be adjusted. Oxygen ionisation and improved filtering system for cleaning the outside air of gaseous emissions such as sulphur dioxide, nitrogen oxides or aromatic hydrocarbons			-	○	○	○	○	○	○	-	291.67	350.00
Communications and In-Car Entertainment												
Smartphone integration via Android Auto or Apple CarPlay™ Please check on www.android.com/intl/en_uk/auto/ and www.apple.com/uk/ios/carplay/ for compatibility and approved apps. Certain features and apps require a 3G or 4G data connection. Control of features available through voice control and controller on centre console	Not available with COMAND Online system	14U	●	○	○	○	○	-	-	-	245.83	295.00



Item	Notes		Urban Edition	Sport	AMG Line	AMG Night Edition	GLC43 4MATIC	GLC63 4MATIC+	GLC63 S 4MATIC+	GLC 63 S 4MATIC+ Edition 1	Basic RRP excl. VAT (£)	Total RRP incl. VAT (£)
Service ServiceCare ServiceCare allows you to spread the cost of servicing your new car in the Mercedes-Benz Retailer network. Taking out a ServiceCare plan ensures your servicing needs are taken care of by fully trained Mercedes-Benz Technicians with the added benefit of a Mercedes-Benz service history	Price is based on a monthly rate. Example given is for two services taken over 24 months; three services over 36 months; or four services over 48 months. Further payment options are available. New ServiceCare prices apply only to vehicles up to 12 months old prior to first service	'	○	○	○	○	○	-	-	-	26.67	32.00
			-	-	-	-	○	○	○		42.50	51.00
Winter tyre swap Includes fitting 19" AMG 5-twin-spoke alloy wheels painted titanium grey (code RTA) with Pirelli Scorpion™ Winter tyres (235/55 R19). Available for a period of 36 months	Storage options are available; please contact your Retailer for further information	'	-	-	-	-	○	○	○		2,200.00	2,640.00



Book a [test drive](#)
[AMG test drive](#)



[Find a Retailer](#)



[View the Range Guide](#)

63

Genuine Accessories

We've developed a range of Accessories you can add to help personalise and enhance your GLC. Your local Mercedes-Benz Retailer can advise on fitting costs of Accessories, where applicable. Further information on our full range of Genuine Accessories can be found on the Mercedes-Benz UK website.

01 | LED Mercedes star projector

The legendary three-pointed star logo is discreetly projected onto the ground alongside your vehicle every time you open the front driver or passenger door. The star automatically disappears once the doors are closed.

RRP £120.00 (incl. VAT), excluding fitting



02 | Concertina load sill protector

Designed to prevent the bumper from being scratched. Can be secured to boot tub or reversible mat. Helps prevent scratches when loading the load compartment or when loading the Mercedes-Benz roof box.

RRP £41.50 (incl. VAT)





Book a [test drive](#)
[AMG test drive](#)



[Find a Retailer](#)



[View the Range Guide](#)

03 | Shallow boot tub

The boot tub is suitable for transporting foodstuffs and liquids. The tub shape with its slightly raised edge is precision-tailored to the load area. Made from impact-resistant, non-slip polypropylene.

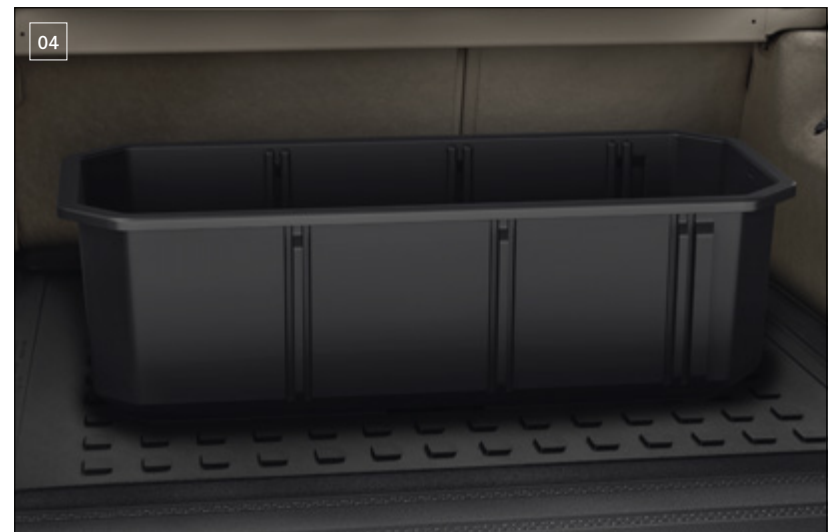
RRP from £88.80 (incl. VAT)



04 | Stowage crate

The stowage crate is supplied with rigid partitioning elements which can be used to divide it into four, making it ideal for holding shopping bags. It is secured in place using tension straps which are attached to the load-securing rings. Full functionality only available in conjunction with shallow boot tub.

RRP £87.50 (incl. VAT)





Book a [test drive](#)
[AMG test drive](#)



[Find a Retailer](#)



[View the Range Guide](#)

05 | All-season floor mats

Made from robust, washable synthetic material for heavy use. Latest design with recessed areas and raised edge. With distinctive Mercedes star logo. Price includes both front and rear mats.

RRP £92.44 (incl. VAT)



06 | Head restraint modular system

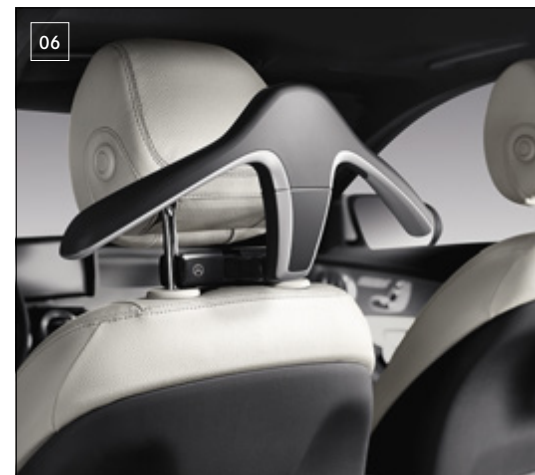
Carefree travel with Mercedes-Benz Style & Travel Equipment. The head restraint elements are simple to fit and remove. The modular system centres around a base support which can be combined with a coat hanger, universal hook, folding table and tablet mount.

Base support: RRP £23.40 (incl. VAT)

Coat Hanger: RRP £67.60 (incl. VAT)

Folding table: RRP £107.40 (incl. VAT)

Universal hook: RRP £28.00 (incl. VAT)





07 | Carrier bars for roof rails

Quick-fastening basic carrier bars for roof rails – no tools required. Multifunctional basis for all Mercedes-Benz transport and leisure accessories such as roof boxes, bicycle racks and ski racks. Locking plastic caps help prevent theft.

RRP £254.40 (incl. VAT)

08 | Mercedes-Benz roof boxes

An aerodynamic design, tailored to your Mercedes-Benz. In extremely durable material. Designed for quick, optimised attachment to the basic carrier bars. Particularly convenient loading and unloading thanks to the option of double-sided opening. Lockable from both sides. Available in various sizes.

RRP from £361.50 (incl. VAT)

09 | Bicycle rack

Extremely lightweight bicycle rack, designed to allow you to attach a bicycle to the basic carrier bars or basic carrier bars for roof rails. Bicycles can either be attached to the rack once it has been fitted to the roof or, conveniently, before it is fitted. The support frame can also be folded down when not in use to reduce drag when travelling without cycles.

RRP £121.00 (incl. VAT)





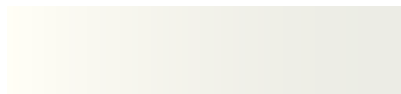
Colours and materials

Non-metallic paints

Standard



040 black



149 polar white¹

Metallic paints

Additional-cost option



197 obsidian black



890 cavansite blue



775 iridium silver



896 brilliant blue



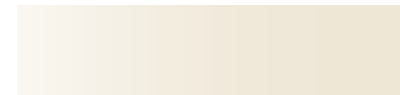
859 mojave silver



992 selenite grey

Special metallic paints

Additional-cost option



799 designo diamond white bright



996 designo hyacinth red metallic



279 designo selenite grey magno²

¹Optional on Urban Edition, Sport, AMG Line and Mercedes-AMG GLC43 ²Only available on Edition 1 (standard)

Please note that, owing to limitations of on-screen representation, paint colours may differ from those shown



ARTICO leather¹

Urban Edition, Sport, AMG Line and AMG Night Edition (std)



101A black



115A silk beige²



197A cranberry red³

ARTICO leather¹/DINAMICA⁴

Mercedes-AMG GLC 43 4MATIC (standard)



641A black with red contrast stitching

Leather⁵

Optional



221A black



235A silk beige²



241A black with red contrast stitching^{6,7}



297A two-tone cranberry red/black³

Nappa leather⁸

Mercedes-AMG GLC 63/S 4MATIC+ (standard)



801A/811A black⁹



851A platinum white⁹



857A red pepper⁹

Nappa leather⁸

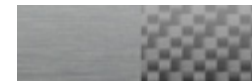
Mercedes-AMG GLC 63 S 4MATIC+ Edition 1 (standard)



861A black diamond design with yellow contrast topstitching¹⁰

Trim

Mercedes-AMG GLC 63 S 4MATIC+ Edition 1 (standard)



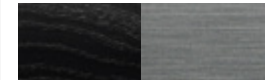
H77 AMG matt black carbon fibre¹⁰

Trim

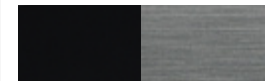
Standard and optional¹¹



736 black ash wood look



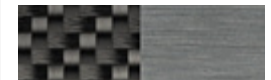
737 open-pore black ash wood with aluminium¹²



739 high-gloss black with aluminium



H24 fineline light brown wood¹³



H73 AMG carbon fibre with aluminium

¹Man-made leather ²Not available on AMG Line ³AMG Line Coupé only ⁴DINAMICA microfibre ⁵At least 80% of the seat upholstery is pure leather, while up to 20% may consist of man-made leather ⁶Mercedes-AMG GLC 43 4MATIC only

⁷Only available with Premium or Premium Plus equipment line (code DP0 and DP1) ⁸100% of seat upholstery is pure leather ⁹Standard on Mercedes-AMG GLC 63/S ¹⁰Optional on Mercedes-AMG GLC 63/S ¹¹Only available on Edition 1

¹²For detailed availability please refer to optional equipment section on page 60 ¹³Only available on GLC 43/63/63 S ¹⁴Not available on Mercedes-AMG GLC 43/63/63 S



Trim and upholstery combinations Urban Edition, Sport, AMG Line, AMG Night Edition, GLC 43 4MATIC

	Urban Edition, Sport and AMG Line		AMG Night Edition (SUV only)	Urban Edition, Sport and AMG Line		Mercedes-AMG GLC 43 4MATIC
	ARTICO leather ¹		ARTICO leather ¹	Leather ³		ARTICO ¹ /DINAMICA microfibre
	black (101A)	silk beige (115A)	black (101A)	black (221A)	silk beige (235A)	black/red stitching (241A/641A)
Dashboard						
Steering wheel	black	black	black	black	black	black
Upper dashboard trim	black	black	black	black	black	black/red stitching
Lower dashboard trim	black	silk beige	black	black	silk beige	black
Seats						
Seat cushion centre section	black	silk beige	black	black	silk beige	black/red stitching
Side bolster trim	black	silk beige	black	black	silk beige	black/red stitching
Head restraint	black	silk beige	black	black	silk beige	black/red stitching
Seat belt	black	black	black	black	black	red
Doors						
Door trim at beltline	black	black	black	black	black	black/red stitching
Door centre panel	black	silk beige	black	black	silk beige	black/red stitching
Roof lining	crystal grey (black ²)	porcelain	black	crystal grey (black ²)	porcelain	black
Floor covering						
Front and rear	black	black	black	black	black	black
Boot	black	black	black	black	black	black

¹Man-made leather ²AMG Line ³At least 80% of the seat upholstery is pure leather, while up to 20% may consist of man-made leather



Book a
[> test drive](#)
[> AMG test drive](#)



[> Find a Retailer](#)



[> View the Range Guide](#)

Trim and upholstery combinations Mercedes-AMG GLC 63/S 4MATIC+ and GLC 63 S 4MATIC+ Edition 1

	Mercedes-AMG GLC 63 4MATIC+/GLC 63 S 4MATIC+			Mercedes-AMG GLC 63 S 4MATIC+ Edition 1
	Nappa leather ¹			Nappa leather ¹
	black (801A/811A)	platinum white (851A)	red pepper (857A)	black/yellow stitching (861A)
Dashboard				
Steering wheel	black	black	black	black/yellow stitching
Upper dashboard trim	black	black	black	black/yellow stitching
Lower dashboard trim	black	black	black	black
Seats				
Seat cushion centre section	black	platinum white	red pepper	black/yellow stitching
Side bolster trim	black/crystal grey	black	black	black/yellow stitching
Head restraint	black	black	black	black/yellow stitching
Seat belt	black/crystal grey	black/crystal grey	black	black
Doors				
Door trim at beltline	black/crystal grey	black/platinum white	black	black/yellow stitching
Door centre panel	black	black	black	black/yellow stitching
Roof lining	black	black	black	black
Floor covering				
Front and rear	black	black	black	black
Boot	black	black	black	black

¹100% of seat upholstery is pure leather



Combination options

		Non-metallic paints Standard		Metallic paints Additional-cost option						Special metallic paints Additional-cost option		
		040 black	149 polar white	197 obsidian black	775 iridium silver	859 mojave silver	890 cavansite blue	896 brilliant blue	992 selenite grey	279 designoselenite grey magno	799 designo diamond white bright	996 designo hyacinth red metallic
ARTICO leather¹												
	black	●	●	●	●	●	●	●	●	●	●	●
	silk beige	●	●	●	●	●	●	●	○	●	●	○
ARTICO leather¹/DINAMICA microfibre												
	black with red contrast stitching	●	●	●	●	●	●	●	●	●	●	●
Leather²												
	black	●	●	●	●	●	●	●	●	●	●	●
	black with red contrast stitching	●	●	●	●	●	●	●	●	●	●	●
	silk beige	●	●	●	●	●	●	●	○	●	●	○
	two-tone cranberry red/black	-	●	●	●	△	△	△	●	-	●	△
Nappa leather³												
	black	-	●	●	●	●	●	●	●	-	●	-
	black with yellow contrast stitching	-	-	-	-	-	-	-	-	●	-	-
	platinum white	-	●	●	●	△	○	○	●	-	●	-
	red pepper	-	●	●	●	△	△	△	●	-	●	-

● Recommended ○ Possible △ Not recommended - Not available ¹Man-made leather ²At least 80% of the seat upholstery is pure leather, while up to 20% may consist of man-made leather ³100% of seat upholstery is pure leather
Please note that, owing to limitations of on-screen representation, paint colours may differ from those shown



Technical data – SUV

		Diesel engines		
Model		GLC 220 d 4MATIC	GLC 250 d 4MATIC	GLC 350 d 4MATIC
Engine				
Total displacement	cc	2,143	2,143	2,987
Arrangement/cylinders/valves		in-line/4/16	in-line/4/16	V/6/24
Fuel delivery		Common-rail diesel with twin turbochargers	Common-rail diesel with twin turbochargers	Common-rail diesel with turbocharger
Power ¹	hp (kW) at rpm	170 (125)/3,000–4,200	204 (150)/3,800	258 (190)/3,400
Torque ¹	Nm at rpm	400/1,400–2,800	500/1,600–1,800	620/1,600–2,400
Compression ratio		16.2:1	16.2:1	15.5:1
Transmission				
9G-TRONIC PLUS 9-speed automatic		●	●	●
AMG SPEEDSHIFT MCT 9-speed automatic		-	-	-
Tyre sizes				
Front		235/65 R 17	235/65 R 17	235/65 R 17
Rear		235/65 R 17	235/65 R 17	235/65 R 17



		Diesel engines		
Model		GLC 220 d 4MATIC	GLC 250 d 4MATIC	GLC 350 d 4MATIC
Performance				
Acceleration 0–62 mph	sec	8.3	7.6	6.2
Top speed	mph	130	138	148
Weights and capacities				
Kerb weight ²	kg	1,845	1,855	1,895
Perm. Gross Vehicle Weight	kg	2,520	2,530	2,530
Towing capacity – unbraked		750	750	750
braked	kg	2,500	2,500	2,500
Boot capacity – max. seats up		550	550	550
max. seats down	l	1,600	1,600	1,600
Fuel tank capacity/of which reserve	l	50/7	50/7	66/7
Turning circle	m	11.8	11.8	11.8
Wading depth	mm	300	300	300
Fuel consumption^{3,4,5}				
Combined (consumption dependent on chosen optional equipment)	l/100 km mpg	6.8–7.7 41.5–36.7	6.7–7.7 42.2–36.7	7.7–8.6 36.7–32.8

²Figures according to Directive 92/21/EC (kerb weight with fuel tank 90% full, driver, 68 kg, and luggage, 7 kg) for standard-specification vehicles. Optional extras and accessories will generally increase this figure and reduce the payload capacity accordingly

³All figures are based on a standard specification with the smallest tyre size ⁴The choice of wheels and transmission may affect CO₂ emissions and corresponding Road Fund Licence

⁵The indicated values were determined according to the prescribed measurement method – Worldwide Harmonised Light Vehicle Test Procedure (WLTP).

Figures shown are for comparability purposes; only compare with other cars tested to the same technical procedures. Figures may not reflect real life driving results, which will depend upon a number of factors including factory-fitted options, accessories fitted (post registration), variations in weather, driving styles and vehicle load. Further information about the test used to establish fuel consumption and CO₂ figures can be found at <http://www.mercedes-benz.co.uk/WLTP>



Model	Diesel engines		
	GLC 220 d 4MATIC	GLC 250 d 4MATIC	GLC 350 d 4MATIC
CO₂ emissions^{4,5,*}	g/km		
Emissions standard	EU6	EU6	EU6
18" alloy wheels (235/60 tyres)	156	161	182
19" alloy wheels (235/55 tyres)	158	163	182
19" alloy wheels (235/55 all-season tyres)	158	163	tba
20" alloy wheels (255/45 tyres)	156	161	177
20" alloy wheels (255/45 tyres) – Urban Edition	158	–	–
20" alloy wheels (255/45 all-season tyres)	158	163	tba
21" alloy wheels (255/45 tyres)	–	–	–
Insurance			
Group rating	28–29	34–35	40–41
Insurance ratings may vary depending on model specification. Please refer to http://www.thatcham.org/abigrouprating/ for further details			

⁴The choice of wheels and transmission may affect CO₂ emissions and corresponding Road Fund Licence

⁵The indicated values were determined according to the prescribed measurement method – Worldwide Harmonised Light Vehicle Test Procedure (WLTP). Figures shown may include options which are not available in the UK.

*CO₂ figures have been converted into NEDC-equivalent values for use with the current VED and BIK tax legislation.

Figures shown are for comparability purposes; only compare with other cars tested to the same technical procedures. Figures may not reflect real life driving results, which will depend upon a number of factors including factory-fitted options, accessories fitted (post registration), variations in weather, driving styles and vehicle load. Further information about the test used to establish fuel consumption and CO₂ figures can be found at <http://www.mercedes-benz.co.uk/WLTP>



Book a [test drive](#)
[AMG test drive](#)



[Find a Retailer](#)



[View the Range Guide](#)

Model	Petrol engines			
	GLC 250 4MATIC	Mercedes-AMG GLC 43 4MATIC	Mercedes-AMG GLC 63 4MATIC+	Mercedes-AMG GLC 63 S 4MATIC+
Engine				
Total displacement	cc 1,991	2,996	3,982	3,982
Arrangement/cylinders/valves	in-line/4/16	V/6/24	V/8/32	V/8/32
Fuel delivery	Direct injection with turbocharger	Electronically-controlled direct injection	Electronically-controlled direct injection	Electronically-controlled direct injection
Power ¹	hp (kW) at rpm 211 (155)/5,500	367 (270)/5,500–6,000	476 (350)/5,500–6,250	510 (375)/5,500–6,250
Torque ¹	Nm at rpm 350/1,200–4,000	520/2,500–4,500	650/1,750–4,500	700/1,750–4,500
Compression ratio	9.8:1	10.5:1	10.5:1	10.5:1
Transmission				
9G-TRONIC PLUS 9-speed automatic	●	●	-	-
AMG SPEEDSHIFT MCT 9-speed automatic	-	-	●	●
Tyre sizes				
Front	235/65 R 17	235/55 R 19	235/55 R 19	265/45 R 20
Rear	235/65 R 17	255/50 R 19	255/50 R 19	295/40 R 20



		Petrol engines			
Model		GLC 250 4MATIC	Mercedes-AMG GLC 43 4MATIC	Mercedes-AMG GLC 63 4MATIC+	Mercedes-AMG GLC 63 S 4MATIC+
Performance					
Acceleration 0–62 mph	sec	7.3	4.9	4.0	3.8
Top speed	mph	138	155 ²	155	174
Weights and capacities					
Kerb weight ³	kg	1,735	1,865	2,000	2,010
Perm. Gross Vehicle Weight	kg	2,410	2,460	2,580	2,580
Towing capacity – unbraked		750	750	750	750
braked	kg	2,400	2,170	2,170	2,170
Boot capacity – max. seats up		550	550	550	550
max. seats down	l	1,600	1,600	1,600	1,600
Fuel tank capacity /of which reserve	l	66/7	66/7	66/10	66/10
Turning circle	m	11.8	12.1	12.1	12.1
Wading depth	mm	300	300	200	200

²Electronically limited

³Figures according to Directive 92/21/EC (kerb weight with fuel tank 90% full, driver, 68 kg, and luggage, 7 kg) for standard-specification vehicles. Optional extras and accessories will generally increase this figure and reduce the payload capacity accordingly



Model	Petrol engines			
	GLC 250 4MATIC	Mercedes-AMG GLC 43 4MATIC	Mercedes-AMG GLC 63 4MATIC+	Mercedes-AMG GLC 63 S 4MATIC+

Fuel consumption^{4,5,6}

Combined (consumption dependent on chosen optional equipment)	l/100 km mpg	8.9–9.9 31.7–28.5	10.6–11.4 26.7–24.8	12.2–12.8 23.2–22.1	12.4–12.8 22.8–22.1
---	-----------------	----------------------	------------------------	------------------------	------------------------

CO₂ emissions^{5,6,*}

g/km

Emissions standard	EU6	EU6	EU6	EU6
18" alloy wheels (235/60 tyres)	172	–	–	–
19" alloy wheels (235/55 tyres)	174	220	265	–
19" alloy wheels (235/55 all-season tyres)	174	–	–	–
20" alloy wheels (255/45 tyres)	172	220	271	270
20" alloy wheels (255/45 tyres) – Urban Edition	174	–	–	–
20" alloy wheels (255/45 all-season tyres)	174	–	–	–
21" alloy wheels (255/45 tyres)	–	224	271	270

Insurance

Group rating	33–34	43	46–47	47–49
--------------	-------	----	-------	-------

Insurance ratings may vary depending on model specification. Please refer to <http://www.thatcham.org/abigrouprating/> for further details

⁴All figures are based on a standard specification with the smallest tyre size ⁵The choice of wheels and transmission may affect CO₂ emissions and corresponding Road Fund Licence

⁶The indicated values were determined according to the prescribed measurement method – Worldwide Harmonised Light Vehicle Test Procedure (WLTP). Figures shown may include options which are not available in the UK.

*CO₂ figures have been converted into NEDC-equivalent values for use with the current VED and BIK tax legislation.

Figures shown are for comparability purposes; only compare with other cars tested to the same technical procedures. Figures may not reflect real life driving results, which will depend upon a number of factors including factory-fitted options, accessories fitted (post registration), variations in weather, driving styles and vehicle load. Further information about the test used to establish fuel consumption and CO₂ figures can be found at <http://www.mercedes-benz.co.uk/WLTP>



Book a [test drive](#)
[AMG test drive](#)

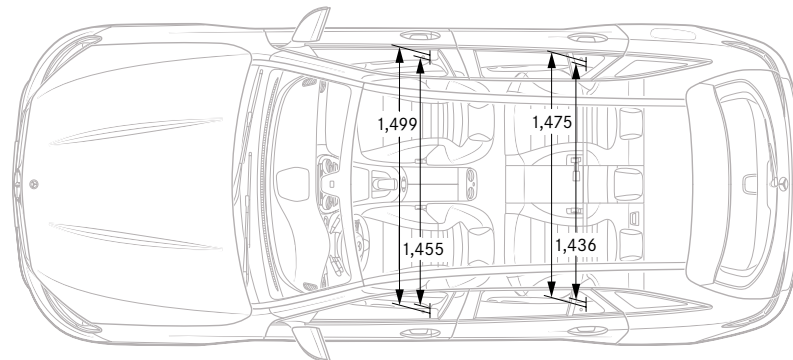
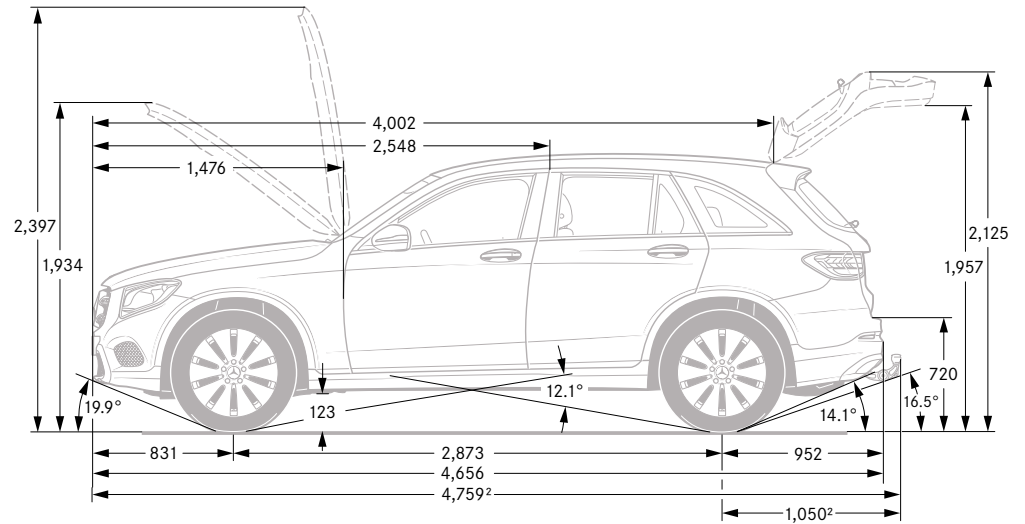
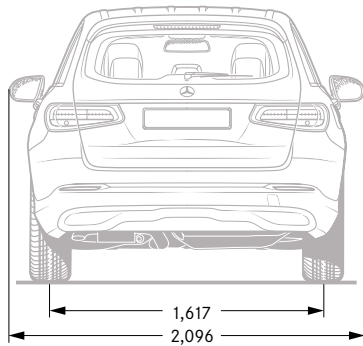
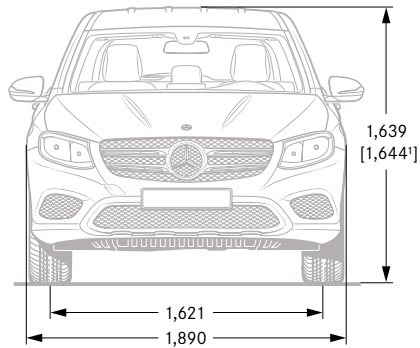


[Find a Retailer](#)



[View the Range Guide](#)

Sport



¹Including roof rails (standard) ²Including optional tow bar All measurements in millimetres. The dimensions shown are mean values and apply to standard-specification, unladen vehicles



Book a [test drive](#)
[AMG test drive](#)

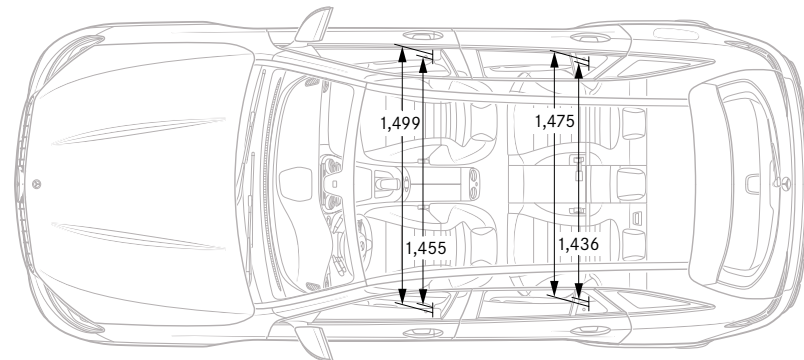
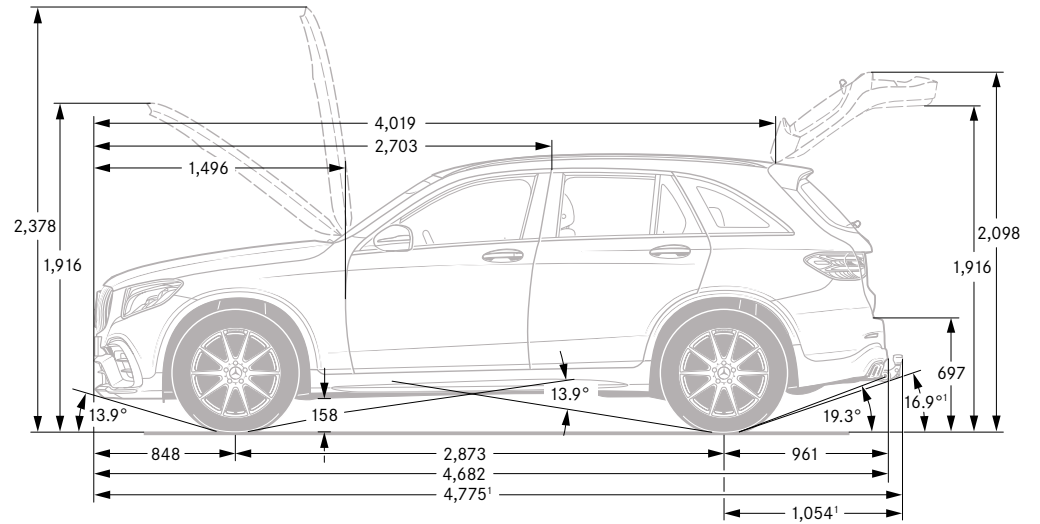
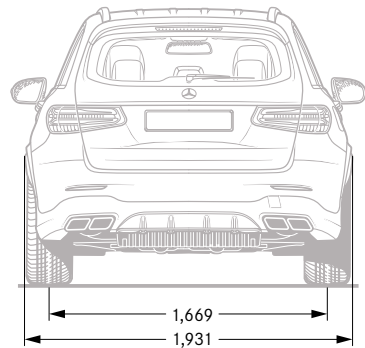
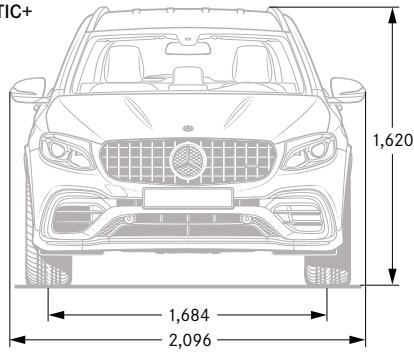


[Find a Retailer](#)



[View the Range Guide](#)

Mercedes-AMG
GLC 63 4MATIC+



¹Including optional tow bar All measurements in millimetres. The dimensions shown are mean values and apply to standard-specification, unladen vehicles
 The figures on pages 72–79 are correct at time of publication. Please refer to the government website for latest data – <http://carfueldata.direct.gov.uk/>



Technical data – Coupé

		Diesel engines		
Model		GLC 220 d 4MATIC	GLC 250 d 4MATIC	GLC 350 d 4MATIC
Engine				
Total displacement	cc	2,143	2,143	2,987
Arrangement/cylinders/valves		in-line/4/16	in-line/4/16	V/6/24
Fuel delivery		Common-rail diesel with twin turbochargers	Common-rail diesel with twin turbochargers	Common-rail diesel with turbocharger
Power ¹	hp (kW) at rpm	170 (125)/ 3,000–4,200	204 (150)/3,800	258 (190)/3,400
Torque ¹	Nm at rpm	400/1,400–2,800	500/1,600–1,800	620/1,600–2,400
Compression ratio		16.2:1	16.2:1	15.5:1
Transmission				
9G-TRONIC PLUS 9-speed automatic		●	●	●
AMG SPEEDSHIFT MCT 9-speed automatic		–	–	–
Tyre sizes				
Front		235/65 R 18	235/65 R 18	235/65 R 18
Rear		235/65 R 18	235/65 R 18	235/65 R 18



		Diesel engines		
Model		GLC 220 d 4MATIC	GLC 250 d 4MATIC	GLC 350 d 4MATIC
Performance				
Acceleration 0–62 mph	sec	8.3	7.6	6.2
Top speed	mph	130	138	148
Weights and capacities				
Kerb weight ²	kg	1,865	1,875	1,915
Perm. Gross Vehicle Weight	kg	2,530	2,540	2,540
Towing capacity – unbraked		750	750	750
braked	kg	2,500	2,500	2,500
Boot capacity – max. seats up		500	500	500
max. seats down	l	1,400	1,400	1,400
Fuel tank capacity/of which reserve	l	50/7	50/7	66/7
Turning circle	m	11.8	11.8	11.8
Wading depth	mm	300	300	300

²Figures according to Directive 92/21/EC (kerb weight with fuel tank 90% full, driver, 68 kg, and luggage, 7 kg) for standard-specification vehicles. Optional extras and accessories will generally increase this figure and reduce the payload capacity accordingly



Book a [test drive](#)
[AMG test drive](#)



[Find a Retailer](#)



[View the Range Guide](#)

Model	Diesel engines		
	GLC 220 d 4MATIC	GLC 250 d 4MATIC	GLC 350 d 4MATIC

Fuel consumption^{3,4,5}

Combined (consumption dependent on chosen optional equipment)	l/100 km mpg	6.9–7.5 40.9–37.7	6.8–7.5 41.5–37.7	7.7–8.4 36.7–33.6
---	-----------------	----------------------	----------------------	----------------------

CO₂ emissions^{4,5,*}

g/km

Emissions standard	EU6	EU6	EU6
18" alloy wheels (235/60 tyres)	161	161	176
19" alloy wheels (255/50 tyres)	163	163	184
20" alloy wheels (285/40 tyres)	163	163	181
21" AMG alloy wheels (255/40 tyres)	–	–	–

Insurance

Group rating	29–30	34–35	40–41
--------------	-------	-------	-------

Insurance ratings may vary depending on model specification. Please refer to <http://www.thatcham.org/abigrouprating/> for further details

³The choice of wheels and transmission may affect CO₂ emissions and corresponding Road Fund Licence ⁴The choice of wheels and transmission may affect CO₂ emissions and corresponding Road Fund Licence

⁵The indicated values were determined according to the prescribed measurement method – Worldwide Harmonised Light Vehicle Test Procedure (WLTP). Figures shown may include options which are not available in the UK.

*CO₂ figures have been converted into NEDC-equivalent values for use with the current VED and BIK tax legislation.

Figures shown are for comparability purposes; only compare with other cars tested to the same technical procedures. Figures may not reflect real life driving results, which will depend upon a number of factors including factory-fitted options, accessories fitted (post registration), variations in weather, driving styles and vehicle load. Further information about the test used to establish fuel consumption and CO₂ figures can be found at <http://www.mercedes-benz.co.uk/WLTP>



Book a [test drive](#)
[AMG test drive](#)



[Find a Retailer](#)



[View the Range Guide](#)

		Petrol engines			
Model		GLC 250 4MATIC	Mercedes-AMG GLC 43 4MATIC	Mercedes-AMG GLC 63 4MATIC	Mercedes-AMG GLC 63 S 4MATIC
Engine					
Total displacement	cc	1,991	2,996	3,982	3,982
Arrangement/cylinders/valves		in-line/4/16	V/6/24	V/8/32	V/8/32
Fuel delivery		Petrol injection with turbocharger	Electronically-controlled direct injection	Electronically-controlled direct injection	Electronically-controlled direct injection
Power ¹	hp (kW) at rpm	211 (155)/5,500	367 (270)/5,500-6,000	476 (350)/5,500-6,250	510 (375)/5,500-6,250
Torque ¹	Nm at rpm	350/1,200-4,000	520/2,500-4,500	650/1,750-4,500	700/1,750-4,500
Compression ratio		9.8:1	10.5:1	10.5:1	10.5:1
Transmission					
9G-TRONIC PLUS 9-speed automatic		●	●	-	-
AMG SPEEDSHIFT MCT 9-speed automatic		-	-	●	●
Tyre sizes					
Front		235/65 R 18	235/55 R 19	235/55 R 19	265/45 R 20
Rear		235/65 R 18	255/50 R 19	255/50 R 19	295/40 R 20



Book a [test drive](#)
[AMG test drive](#)



[Find a Retailer](#)



[View the Range Guide](#)

Model		Petrol engines			
		GLC 250 4MATIC	Mercedes-AMG GLC 43 4MATIC	Mercedes-AMG GLC 63 4MATIC	Mercedes-AMG GLC 63 S 4MATIC
Performance					
Acceleration 0–62 mph	sec	7.3	4.9	4.0	3.8
Top speed	mph	138	155 ²	155	174
Weights and capacities					
Kerb weight ³	kg	1,760	1,875	2,010	2,020
Perm. Gross Vehicle Weight	kg	2,430	2,460	2,590	2,590
Towing capacity – unbraked	kg	750	750	750	750
braked		2,400	2,170	2,170	2,170
Boot capacity – max. seats up	l	500	500	500	500
max. seats down		1,400	1,400	1,400	1,400
Fuel tank capacity /of which reserve	l	66/7	66/7	66/10	66/10
Turning circle	m	11.8	12.1	12.1	12.1
Wading depth	mm	300	300	200	200

²Electronically limited

³Figures according to Directive 92/21/EC (kerb weight with fuel tank 90% full, driver, 68 kg, and luggage, 7 kg) for standard-specification vehicles. Optional extras and accessories will generally increase this figure and reduce the payload capacity accordingly



Book a [test drive](#)
[AMG test drive](#)



[Find a Retailer](#)



[View the Range Guide](#)

Model	Petrol engines			
	GLC 250 4MATIC	Mercedes-AMG GLC 43 4MATIC	Mercedes-AMG GLC 63 4MATIC	Mercedes-AMG GLC 63 S 4MATIC

Fuel consumption^{4,5,6}

Combined (consumption dependent on chosen optional equipment) l/100 km mpg	8.9–9.7 31.7–29.1	10.5–11.3 26.9–25.0	12.0–12.6 23.5–22.4	12.2–12.6 23.2–22.4
---	----------------------	------------------------	------------------------	------------------------

CO₂ emissions^{5,6,*}

g/km

Emissions standard	EU6	EU6	EU6	EU6
18" alloy wheels (235/60 tyres)	173	–	–	–
19" alloy wheels (255/50 tyres)	175	220	262	–
20" alloy wheels (285/40 tyres)	175	220	268	267
21" AMG alloy wheels (255/40 tyres)	–	223	268	267

Insurance

Group rating	34–35	44	47	47–49
--------------	-------	----	----	-------

Insurance ratings may vary depending on model specification. Please refer to <http://www.thatcham.org/abigrouprating/> for further details

⁴The choice of wheels and transmission may affect CO₂ emissions and corresponding Road Fund Licence ⁵The choice of wheels and transmission may affect CO₂ emissions and corresponding Road Fund Licence

⁶The indicated values were determined according to the prescribed measurement method – Worldwide Harmonised Light Vehicle Test Procedure (WLTP). Figures shown may include options which are not available in the UK.

*CO₂ figures have been converted into NEDC-equivalent values for use with the current VED and BIK tax legislation.

Figures shown are for comparability purposes; only compare with other cars tested to the same technical procedures. Figures may not reflect real life driving results, which will depend upon a number of factors including factory-fitted options, accessories fitted (post registration), variations in weather, driving styles and vehicle load. Further information about the test used to establish fuel consumption and CO₂ figures can be found at <http://www.mercedes-benz.co.uk/WLTP>



Book a [test drive](#)
[AMG test drive](#)

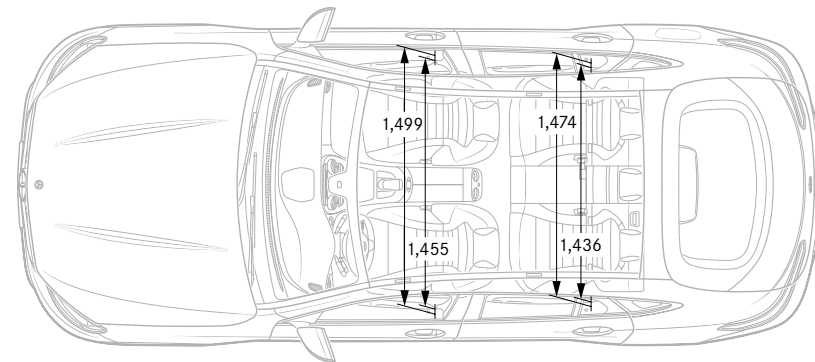
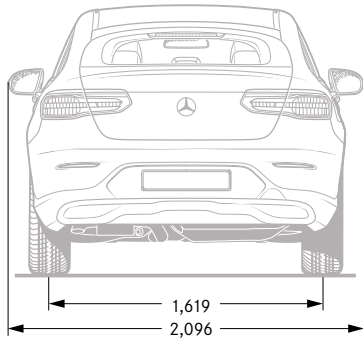
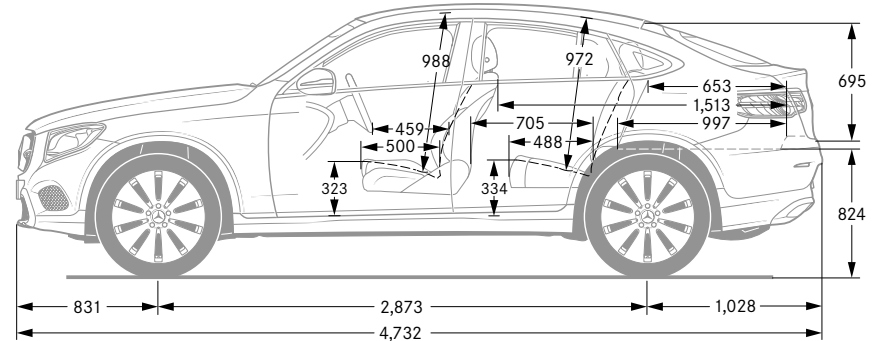
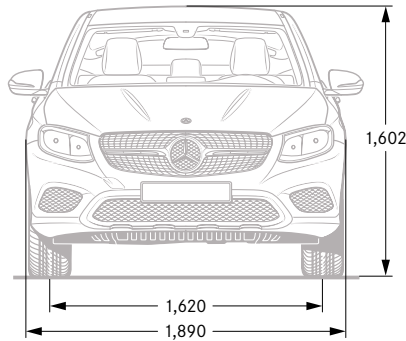


[Find a Retailer](#)



[View the Range Guide](#)

Sport





Book a [test drive](#)
[AMG test drive](#)

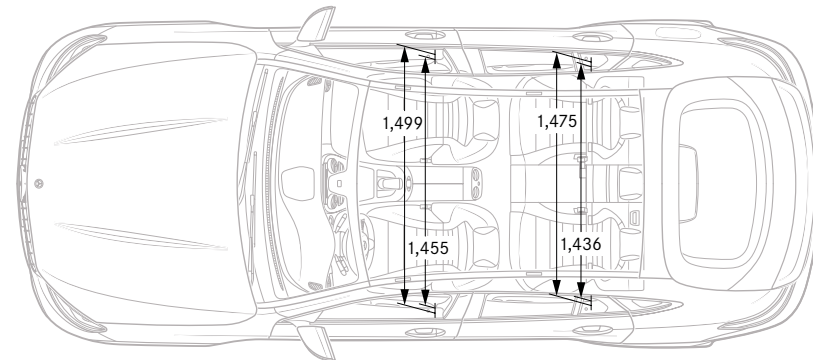
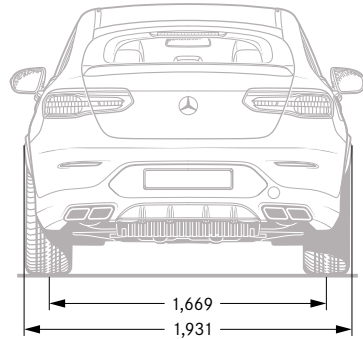
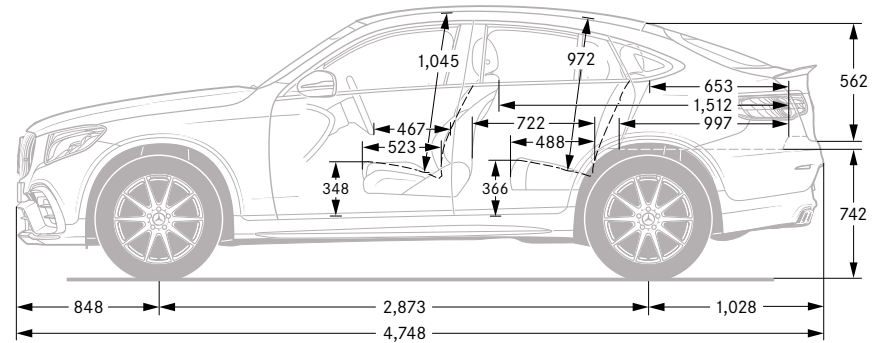
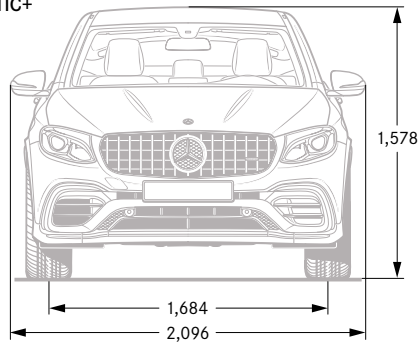


[Find a Retailer](#)



[View the Range Guide](#)

Mercedes-AMG
GLC 63 4MATIC+





Road Fund Licence



All road vehicle registrations are subject to Vehicle Excise Duty (Road Fund Licence), which varies in accordance with the vehicle's CO₂ emissions. A first year rate for each taxation band will apply. The table below shows the bands (A–M) created by the DVLA and the corresponding Road Fund Licence. CO₂ emissions are listed in the technical data on pages 74, 77, 82 and 85, and the relevant Excise Duty is reflected in the on-the-road prices on pages 10–12.

Band	CO ₂ emissions (g/km)	First year rate petrol (£)	First year rate diesel (£) ¹	First year rate alt. fuel (£)	Standard rate (£)	Premium rate (£) ²
A	0	0.00	0.00	0.00	0.00	310.00
B	1 to 50	10.00	25.00	0.00	140.00	450.00
C	51 to 75	25.00	110.00	15.00	140.00	450.00
D	76 to 90	110.00	130.00	100.00	140.00	450.00
E	91 to 100	130.00	150.00	120.00	140.00	450.00
F	101 to 110	150.00	170.00	140.00	140.00	450.00
G	111 to 130	170.00	210.00	180.00	140.00	450.00
H	131 to 150	210.00	530.00	200.00	140.00	450.00
I	151 to 170	530.00	855.00	520.00	140.00	450.00
J	171 to 190	855.00	1,280.00	845.00	140.00	450.00
K	191 to 225	1,280.00	1,815.00	1,270.00	140.00	450.00
L	226 to 255	1,815.00	2,135.00	1,805.00	140.00	450.00
M	over 255	2,135.00	2,135.00	2,125.00	140.00	450.00

Some of the model features, optional extras and colours shown may not be available or may only be available in a different specification.

¹Applies to all Mercedes-Benz diesel models which do not comply with Real Driving Emissions step 2 (RDE2)

²Premium rate only applicable to vehicles where the list price is over £40,000 including any factory-fitted options, standard UK delivery charge, number plates, fuel and VAT



Book a [▶ test drive](#)
[▶ AMG test drive](#)



[▶ Find a Retailer](#)



[▶ View the Range Guide](#)

Services and benefits

Mercedes-Benz ServiceCare

We believe that servicing costs should be as flexible and affordable as possible for your GLC, which is why we offer ServiceCare, an easy way to budget for all your servicing costs. It spreads your bills into manageable payments based on whether you have a new or used Mercedes-Benz.

With ServiceCare we guarantee the price of parts and labour for up to four services and safeguard against any further inflation. It also covers the cost of any additional items including brake fluid, spark plugs, air filters, fuel filters and screen wash.

You can choose either to add your servicing costs into your monthly spend or pay the full amount in a one-off payment, giving you peace of mind that they are taken care of for the period of the plan.

To receive a personalised ServiceCare plan recommendation visit the ServiceCare Calculator at servicecarerates.mercedes-benz.co.uk

Warranty and breakdown cover

Every Mercedes-Benz comes with a three-year unlimited mileage warranty against manufacturing or material defects¹ and up to 30 years warranty against perforation due to corrosion from the inside out.² What's more, it's also covered by Mercedes-Benz Roadside Assistance – a unique package comprising up to 30 years pan-European breakdown assistance.²



Book a [test drive](#)
[AMG test drive](#)



[Find a Retailer](#)



[View the Range Guide](#)

Mercedes me connect

Mercedes me connect enables you to connect to your car via desktop, tablet or smartphone via an app. It provides access to services that enhance your Mercedes-Benz experience and fit effortlessly into your daily digital routine.¹

Standard Services.

Available on all models, except G-Class.

- **Emergency Call** – if there's an accident, this feature automatically shares your vehicle location and status for a fast response from the emergency services
- **Accident & Breakdown Management** – contact our Customer Assistance Centre with a single button for fast breakdown recovery
- **Telediagnosics** – automatically detects and shares details of any vehicle wear and tear with you, and shares the data with your Retailer
- **Maintenance Management** – reminds you when your service is due and automatically shares maintenance data with your Retailer
- **Parking Time Assist** – track the time on your parking meter and receive an alert when it's due to expire



Vehicle Setup.

These services come as standard if you have COMAND Online. Available as an optional £69 upgrade for all other customers.

- **Personal Profile** – store your preferences, such as your favourite radio stations and apps, to create your personal driver profile
- **Maintenance (Vehicle Status)** – check safety information, such as coolant level and brake pad condition, so you can be sure your car is safe and ready to drive
- **Remote Door Unlock** – lock and unlock your car remotely, wherever you are in the world
- **Send to Car Function** – search for destinations on your smartphone, tablet or desktop, then send the routes direct to your car for navigation

¹Currently unavailable in the Channel Islands and the Isle of Man



Book a
 > test drive
 > AMG test drive



> Find a Retailer



> View the Range Guide

Remote Online Services.

Standard on all models with COMAND Online, except for new E-Class. Available to purchase for an additional £150.00 (incl. VAT) for all models without COMAND Online.

- **Trip information and vehicle status** – access the vehicle's trip data such as fuel level, mileage, condition of brake pads and tyre pressure
- **Remote door locking and unlocking** – lock and unlock your car remotely, wherever you are in the world
- **Geofencing** – set up a geographical boundary and receive alerts whenever your car enters or leaves this area
- **Parked Vehicle Locator** – locate your parked vehicle within a range of one mile and plot a route back to it
- **Vehicle Tracker** – track the location of your car anywhere in the world

Additional services for Plug-In Hybrid and electric models only, as part of Remote Online services:

- **Pre-entry climate control** – activate the pre-entry climate control system of your parked vehicle and set the temperature to your liking before boarding
- **Route planning** – displays the electric operating range on a map and enables you to plan a route while stopping at public charging stations
- **Charging points** – displays a list of the nearest public charging stations
- **Charging profile** – control the charging settings from a distance so your vehicle can be ready charged when you need it

Vehicle Monitoring.

Standard with COMAND Online for all models, except the new E-Class. Available to purchase for new E-Class and all other customers as an additional £69 upgrade.

- **Geo-fencing** – set up a geographical boundary and receive alerts whenever your car enters or leaves this area
- **Parked Vehicle Locator** – locate your parked car when within 1 mile and plot a route back to it
- **Vehicle Tracker** – track the location of your car anywhere in the world

Visit the Mercedes me connect store for more information:

shop.mercedes-benz.com/en-gb/connect



Mercedes-Benz Finance

Why should you finance with Mercedes-Benz?

At Mercedes-Benz we believe a great driving experience should be matched by an equally great ownership experience. That is why we put just as much thought, time and effort into designing our finance options, our service plans and our insurance cover as we do into our vehicles.

We are not in the business of simply providing a loan to fund the purchase of your dream vehicle. We look on it as a journey that we take with you, from the moment you choose your new Mercedes-Benz, to helping you in choosing your next one.

If you would like to find out more about any of our current offers, simply call into your local Mercedes-Benz Retailer where one of our Business Managers will be more than happy to talk you through anything you need to know.

Helping you find the right solution.

You should find our finance packages are more convenient than a traditional personal loan because:

- Funds are immediately available – no waiting for cheques or loans to clear.
- There is no security required – either against your home or other assets.
- We have clear and transparent rates – the APR we quote is the APR you get.
- We have friendly Business Managers – experts in vehicle finance who can talk you through all of your plans in detail.

One of our most popular finance products is Mercedes-Benz Agility (our Personal Contract Purchase product). We also offer Contract Hire, Operating Lease and Hire Purchase solutions. If you would like to find out more about these speak to your Retailer or visit www.mercedes-benz.co.uk/fandi.

Mercedes-Benz Agility (our PCP product).

At the start of an Agility agreement, you put down a deposit and decide the term of your agreement and your annual mileage. You will be advised of the Guaranteed Future Value, which offers you the reassurance of knowing exactly what you will need to pay to own the vehicle outright in the future (this is known as the Optional Purchase Payment).

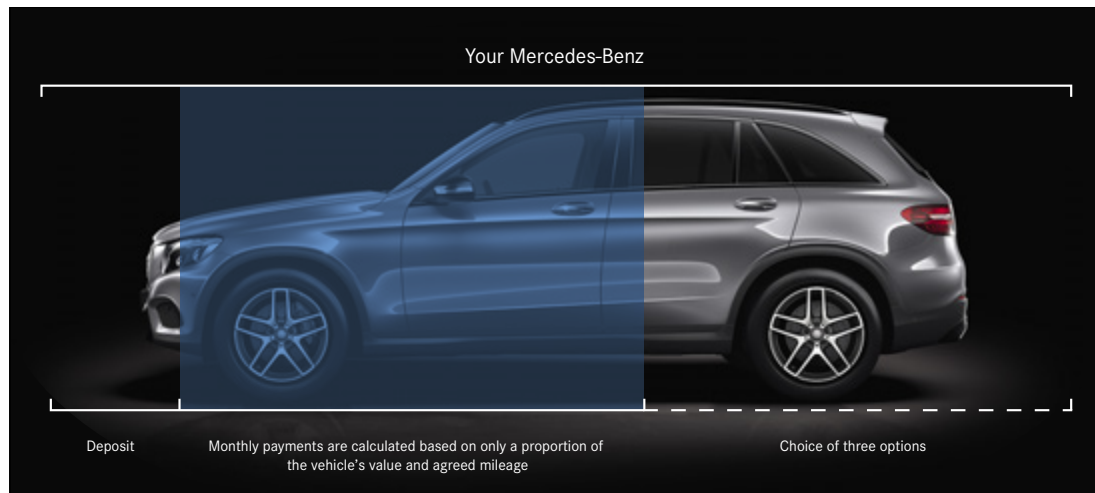
Throughout your agreement you simply pay your agreed monthly payments and when the agreement comes to an end you either purchase, hand back or part-exchange your vehicle.





Agility features:

- Fixed regular payments mean you can easily budget.
- Payments are based only on a proportion of the vehicle's value, keeping your monthly payments lower.
- Our Guaranteed Future Value avoids the risk of unplanned depreciation of your vehicle.
- You defer your ownership decision until the end of the agreement.



At the end of your agreement you have three options to choose from.

Option 1: Purchase your Mercedes-Benz.

Purchase your Mercedes-Benz by paying the Optional Purchase Payment and Purchase Activation Fee.¹ This will complete the purchase of your Mercedes-Benz, leaving you free to simply enjoy your vehicle.

Option 2: Hand back your Mercedes-Benz.

If you decide to return your vehicle to us, it must be in line with our Vehicle Return Standards,^{*} as vehicle condition, excess mileage and other charges may be payable.

Option 3: Part-Exchange for a new vehicle.

Purchase your Mercedes-Benz by paying the Optional Purchase Payment and Purchase Activation Fee.¹ This will complete the purchase of your Mercedes-Benz, leaving you free to part-exchange for a new vehicle.

¹Please note the 'Purchase Activation Fee' of £10 will be debited from your account *To find out more information about our Vehicle Return Standards please visit <http://mercedes-benz.co.uk/vrs>



Book a [test drive](#)
[AMG test drive](#)





[Find a Retailer](#)





[View the Range Guide](#)

Follow us on the following social media channels:

 facebook.com/mercedesbenzuk

 twitter.com/mercedesbenzuk

 youtube.com/mercedesbenzuk

 instagram.com/mercedesbenzuk

Effective from January 2019 Production. Information correct at time of publication.

Prices and specifications are subject to change without prior notice.

MBX253PL/0319

Mercedes-Benz Cars UK Limited, Tongwell, Milton Keynes, MK15 8BA. Company number 2448457 www.mercedes-benz.co.uk