



> View offers



> Book a test drive



> Find a Retailer



> View the Range Guide

S-Class

Saloon



Effective from 1 December 2018 Production.

Mercedes-Benz



The hard facts to melt your heart

What is the essence of a Mercedes-Benz? What kind of technology makes it stand out from the crowd? Over the following pages, you'll discover all the fine details, ranging from model prices, a breakdown of standard and optional equipment, as well as comprehensive services and benefits.

Of course, the true picture can only be revealed once you get behind the wheel and discover what it means to drive a Mercedes. To arrange a test drive, please contact your local Mercedes-Benz Retailer or, visit www.mercedes-benz.co.uk/testdrive

Visit www.mercedes-benz.co.uk or call 0333 222 0500 for more information.

Contents

9 Model prices	30 Standard equipment	53 Mercedes me applications and services
10 Model lines	39 Wheels	54 Genuine Accessories
16 BP Chargemaster Homecharge	41 Driving Assistance package	57 Colours and materials
17 Premium and Premium Plus equipment lines	42 Exclusive Nappa Leather package	69 Technical data
19 Executive equipment line	44 Individual Rear Seats package	76 Road Fund Licence
24 Mercedes-AMG models	45 Rear Luxury Lounge package	77 Services and insurance
27 Mercedes-AMG driver training	46 Business Telephony package	78 Mercedes me
29 Pricing summary for model and equipment lines	47 Optional equipment	80 Mercedes-Benz Finance



> View offers



> Book a test drive



> Find a Retailer



> View the Range Guide



Trailblazing.

The S-Class marks a milestone of innovation and driving luxury.



> View offers



> Book a test drive



> Find a Retailer



> View the Range Guide



Modern luxury.

The essence of ultimate comfort
and driver assistance.



> View offers



> Book a test drive



> Find a Retailer



> View the Range Guide

Breathtaking.

The perfect merger of
power and efficiency.





> View offers



> Book a test drive



> Find a Retailer



> View the Range Guide

Unsurpassed performance.

Taking the new Mercedes-AMG S 63 to its next level.





> View offers



> Book a test drive



> Find a Retailer



> View the Range Guide

Cutting edge.

The performance luxury saloon is
on par with full-blooded sports cars.



Model prices

Engine	Model line	Transmission	CO ₂ ¹	Basic RRP excl. VAT (£)	Total RRP incl. VAT (£)	Road Fund Licence (£) ²	Rec. OTR price (£) ³	P11D value (£)	BiK tax rate 2018/19 (%)
S 350 d Diesel – 2,925 cc, 6-cylinder, 286 hp/210 kW	AMG Line	9G-TRONIC 9-speed automatic	158	61,450.00	73,740.00	830.00	75,285.00	74,400.00	36
	AMG Line L	9G-TRONIC 9-speed automatic	158	63,783.33	76,540.00	830.00	78,085.00	77,200.00	36
S 400 d Diesel – 2,925 cc, 6-cylinder, 340 hp/250 kW	AMG Line L	9G-TRONIC 9-speed automatic	158	67,116.66	80,540.00	830.00	82,085.00	81,200.00	36
S 450 Petrol – 2,999 cc, 6-cylinder, 367 hp/270 kW EQ Boost – 22 hp/16 kW	AMG Line L	9G-TRONIC 9-speed automatic	169	67,250.00	80,700.00	515.00	81,930.00	81,360.00	34
S 500 Petrol – 2,999 cc, 6-cylinder, 435 hp/320 kW EQ Boost – 22 hp/16 kW	AMG Line L	9G-TRONIC 9-speed automatic	169	71,625.00	85,950.00	515.00	87,180.00	86,610.00	34
S 560 e L EQ Power Petrol – 2,996 cc, 6-cylinder, 367 hp/270 kW Electric motor – 122 hp/90 kW	AMG Line L	9G-TRONIC 9-speed automatic	57	80,625.00	96,750.00	15.00	97,480.00	97,410.00	16
Mercedes-AMG									
Mercedes-AMG S 63 Petrol – 3,982 cc, 8-cylinder, 621 hp/450 kW	L	AMG SPEEDSHIFT MCT 9-speed sports automatic	231	104,770.83	125,725.00	1,760.00	128,200.00	126,385.00	37
Mercedes-AMG S 65 Petrol – 5,980 cc, 12-cylinder, 630 hp/463 kW	L	AMG SPEEDSHIFT PLUS 7G-TRONIC 7-speed automatic	325	155,395.83	186,475.00	2,070.00	189,260.00	187,135.00	37

¹The indicated values were determined according to the prescribed measurement method. These are the 'NEDC CO₂ values' according to Worldwide Harmonised Light Vehicle Test Procedure (WLTP). For more information on these values and how they have been calculated please see www.mercedes-benz.co.uk/WLTP

²A different first year rate of Vehicle Excise Duty (Road Fund Licence) applies for new cars. Please refer to page 76 for the relevant rate for the second and subsequent years

³The recommended on-the-road price includes the Road Fund Licence applicable to the standard model plus delivery charge (£635.00 incl. VAT), new vehicle registration fee (£55.00) and number plates (£25.00 incl. VAT). VAT is calculated at the standard rate of 20%



> View offers



> Book a test drive



> Find a Retailer



> View the Range Guide

S-Class AMG Line

10



Optional features shown: Driving Assistance package (code 23P); 20" AMG alloy wheels (code RRM); privacy glass (code 840); selenite grey metallic paint (code 992)



> View offers



> Book a test drive



> Find a Retailer



> View the Range Guide



11



Optional features: Burmester® surround sound system (code 810), part of Premium Plus equipment line (code DP1); Driving Assistance package (code 23P); designo black ash wood (code H27); porcelain/black nappa leather (code 815A)

The new S-Class AMG Line presents its luxurious AMG credentials with 19" AMG alloy wheels and AMG bodystyling. Set against the highly sophisticated, adaptable leather covered seats, the multifunction steering wheel is fitted with nappa leather and Touch Control steering wheel pads. The cabin

ambiance can be adjusted to suit your mood with up to 64 colour settings, while the dual-bonded widescreen cockpit display holds the latest COMAND Online system with smartphone integration for all your multimedia needs.

Exterior

KEYLESS-GO Comfort package
9G-TRONIC transmission with steering column gear selector, steering wheel gearshift paddles (Direct Select) and SPEEDTRONIC cruise control
19" AMG alloy wheels – 5-twin-spoke design
Active Parking Assist including PARKTRONIC and reversing camera
AMG bodystyling – front apron, rear apron and side skirts
MAGIC VISION CONTROL – adaptive windscreen wiper system
Metallic paint
MULTIBEAM LED with ULTRA RANGE Highbeam

Interior

Front Seat Memory package
3-spoke multifunction steering wheel in nappa leather with 'Touch Control' steering wheel pads
Additional four-way electric lumbar support for front passenger seat
Ambient lighting – choice of 64 colour settings
COMAND Online system with 12.3-inch media display
Dual-bonded widescreen cockpit display (12.3-inch)
Front seats, front head restraints, steering column and exterior door mirrors – electrically adjustable with memory
Smartphone integration with Android Auto and Apple CarPlay™
Wireless phone charging – front

Trim and Upholstery

Black poplar wood
Leather – black
Leather – silk beige/espresso brown
Leather – nut brown/black

Please refer to page 57 for the full range of trim and upholstery choices



> View offers



> Book a test drive



> Find a Retailer



> View the Range Guide

13

S-Class 560 e L EQ Power Plug-in hybrid





> View offers



> Book a test drive



> Find a Retailer



> View the Range Guide



Combining the best of both worlds, this new S-Class EQ Power Plug-in hybrid offers excellent performance while keeping emissions at a minimum. The hybrid drive system in the S 560 e L EQ Power combines the 367hp (270kW) of the V6 combustion engine with an electric output of 90kW. Intelligent technology, courtesy of the third-generation hybrid transmission, makes for smooth gear changes. Meanwhile, ECO Assist promotes anticipatory,

economical driving. The S 560 e L EQ Power has an all-electric range of around 30 miles. Even though the new lithium-ion battery has an increased capacity of 13.5kWh it is smaller than before providing an increase in boot capacity from 395 to 410 litres. In conjunction with a wallbox charger, the car's 7.2-kW on-board charger allows fast charging of the battery in just two hours.

Exterior

KEYLESS-GO Comfort package

9G-TRONIC transmission with steering column gear selector, steering wheel gearshift paddles (Direct Select) and SPEEDTRONIC cruise control

19" AMG alloy wheels – 5-twin-spoke design

Active Parking Assist including PARKTRONIC and reversing camera

AMG bodystyling – front apron, rear apron and side skirts

Closing aid for doors and boot lid

MAGIC VISION CONTROL – adaptive windscreen wiper system

Metallic paint

MULTIBEAM LED with ULTRA RANGE Highbeam

Interior

Front Seat Memory package

3-spoke multifunction steering wheel in nappa leather with 'Touch Control' steering wheel pads

Additional four-way electric lumbar support for front passenger seat

Ambient lighting – choice of 64 colour settings

Burmester® surround sound system

Charging cable for wallbox and public charging stations (8 m)

COMAND Online system with 12.3-inch media display

Dual-bonded widescreen cockpit display (12.3-inch)

Front seats, front head restraints, steering column and exterior door mirrors – electrically adjustable with memory

Smartphone integration with Android Auto and Apple CarPlay™

Wireless phone charging – front

Trim and Upholstery

Black poplar wood

Leather – black

Leather – silk beige/espresso brown

Leather – nut brown/black

Please refer to page 57 for the full range of trim and upholstery choices

BP Chargemaster Homecharge – simple, convenient, faster charging

Mercedes-Benz plug-in vehicle customers with off-street parking can benefit from the convenience and speed of charging at home by installing a Homecharge wallbox through our charging partner BP Chargemaster. The 3.6 kW Homecharge unit delivers a full charge in just two hours – that’s 60% faster than using a 13 A three-pin domestic plug.¹

HOMECHARGE 3.6 kW: **£279*** incl. VAT & installation



Key benefits of the 3.6 kW BP Chargemaster Homecharge:

Robust and weatherproof, for indoor or outdoor use, and comes with a three year warranty

Installed in as little as two weeks

The cost for a fully-installed charge point at your home includes the £500 OLEV (EVHS) grant²

As a Mercedes-Benz driver, when you install a Homecharge unit through BP Chargemaster you will automatically receive three months FREE membership to POLAR plus, the UK’s largest public charging network with over 6,500 charge points

Questions?

- Simply email mercedes-benz@chargemasterplc.com or
- call their dedicated Homecharge team on 01582 399 412



¹Price includes £500 OLEV EVHS Grant. Price correct at time of publication, subject to change ²Based on 3.6 kW power output for plug-in hybrid vehicles

²The BP Chargemaster Homecharge £500 Grant (including VAT) is only available to customers who meet the criteria of the Office of Low Emission Vehicles (OLEV) and is provided and installed by BP Chargemaster plc. For full details and eligibility criteria for the OLEV EVHS Grant, see <https://www.gov.uk/government/publications/electric-vehicle-homecharge-scheme-guidance-for-customers-version-21>. For full BP Chargemaster Homecharge Terms & Conditions visit https://chargemasterplc.com/terms_conditions



> View offers



> Book a test drive

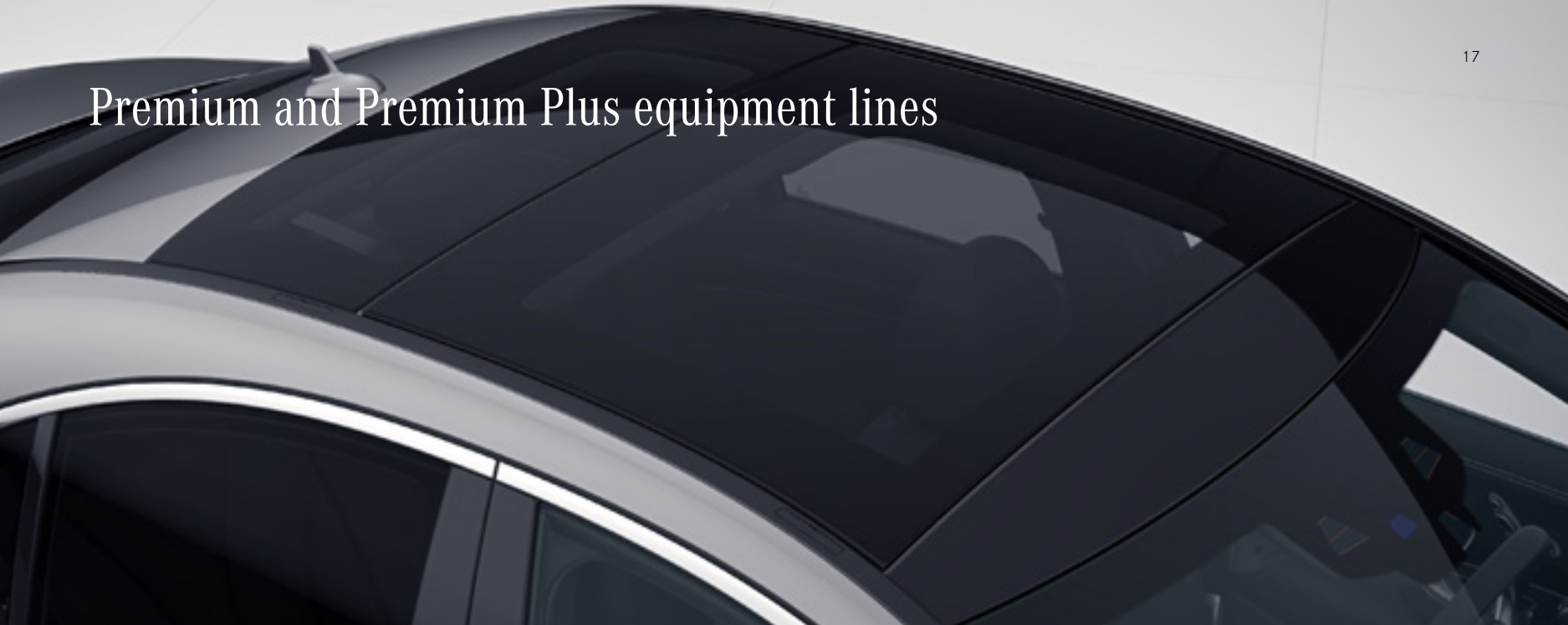


> Find a Retailer

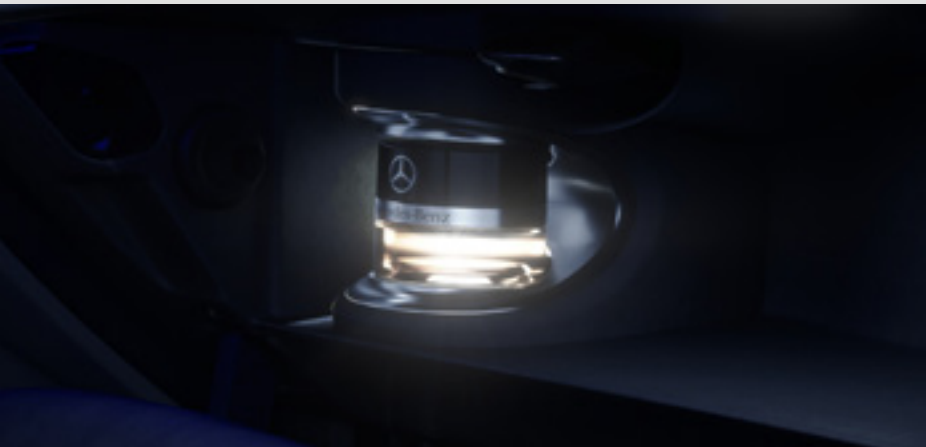


> View the Range Guide

Premium and Premium Plus equipment lines



Electric panoramic glass sunroof



AIR-BALANCE package



Burmester® surround sound system

The S-Class is here to answer individual needs – and to exceed expectations. So, if you wish to add more advanced technology to assist you; or if you would like even more relaxing or entertaining features, take a look at the Premium and the Premium Plus equipment lines.

Item	Notes	S 500 L and S 560 e L only		
		AMG Line Premium £3,995.00 ¹ (code DP0)	AMG Line Premium Plus £6,695.00 ¹ (code DP1)	AMG Line Premium Plus £5,395.00 ¹ (code DP1)
360° camera	Includes Remote Parking Assist. Remote Parking Assist is added with 3-year subscription included. Extension possible and pricing information available via Mercedes me store	■	■	■
Closing aid for doors and boot lid		■	■	■
Comfort-ventilated front seats	Includes seat heating and cooling	■	■	■
Electric panoramic glass sunroof		■	■	■
Mirror projection of brand logo		■	■	■
Upholstery – nappa leather		■	■	■
AIR-BALANCE package	Fragrance generator with perfume flask in glove compartment; improved filter system between intake and distribution system; oxygen ioniser in side air duct. FREESIDE MOOD is standard for both short- and long-wheelbase S-Class. A choice of high quality interior fragrances to suit personal preferences is available from Mercedes-Benz Accessories	–	■	■
Burmester® surround sound system	13 speakers and 9-channel DSP amplifier with total output of 590W. Includes voice amplification system which makes it easier to communicate with the rear passengers from the front. Two microphones in the interior mirror are also used to pick up speech for the hands-free telephone system. These signals are then discreetly amplified depending on the amount of driving noise, and continuously adjusted for the speaker's volume and the ambient noise level. Standard on S 500 L and S 560 e L. Not in conjunction with Burmester® high-end 3D surround system (code 811)	–	■	■
ENERGIZING Comfort	Intelligent cross-linking of all comfort systems. Drivers can choose out of 6 different expert configured programs for activation and relaxation, depending on their personal needs	–	■	■
Front Seat Comfort package	Active multi-contour front seats with dynamic and massage function	–	■	■



> View offers



> Book a test drive



> Find a Retailer



> View the Range Guide

Executive equipment line



Electrically operated rear seats with memory function, backrest angle adjustable up to 37°



> View offers



> Book a test drive



> Find a Retailer



> View the Range Guide



THERMOTRONIC – luxury automatic climate control, rear



Comfort-ventilated rear seats with cooling and heating function

Executive equipment line

20

With the Executive equipment line, rear passengers can enjoy long journeys in total relaxation. At the touch of a button seats move into a comfortable reclining position, and electrically operated blinds for the rear and side windows shield the occupants from direct sunlight. And with THERMOTRONIC luxury automatic climate control for the rear they enjoy even greater comfort, since temperature and air distribution can be individually adjusted for the left and right sides. Luxury rear head restraints with an additional comfort cushion ensure the best possible seating comfort for the rear seats.

Executive equipment line – including luxury items as listed below.

Standard on Mercedes-AMG S 65.

All other models

Total incl. VAT £4,600.00

Executive equipment line (code DA1)

Backrest angle adjustable up to 37°

Closing aid for doors and boot lid

Comfort-ventilated rear seats with cooling and heating function

Electrically operated rear seats with memory function

Luxury rear head restraints with additional comfort cushion

Roller Blind package with electrically operated blinds for rear and side window (code P09)

THERMOTRONIC – luxury automatic climate control, rear

Images shown provide a general indication of interior furnishings. The manufacturer reserves the right to make changes to the design form and specification. Some of the models, features, optional extras and colours shown may not be available in your country or may only be available in a different specification. For more current and specific information in relation to the range of models and features, please contact your nearest authorised Mercedes-Benz Retailer



> View offers



> Book a test drive



> Find a Retailer



> View the Range Guide

21

Mercedes-AMG S 63 L



Optional features shown: designo diamond white paint (code 799), privacy glass (code 840); 20" AMG cross-spoke forged wheels matt black (code RTS); red painted brake calipers (code U70)



> View offers



> Book a test drive



> Find a Retailer



> View the Range Guide



Optional features shown: AMG Performance steering wheel in nappa leather/DINAMICA microfibre (code L6K), AMG carbon fibre/black piano lacquer trim (code H10), porcelain/black Exclusive nappa leather (code 585A)

The 'V8 BITURBO' lettering, 20" AMG alloy wheels in a 10-spoke design, as well as AMG bodystyling in jet black and high-gloss chrome are all part of the powerful new Mercedes-AMG S 63. AMG nappa leather sports seats with AMG V8 styling are combined with a 3-spoke AMG sports steering

wheel featuring aluminium gearshift paddles. The AMG dual-bonded widescreen cockpit display brings together all things multimedia including COMAND Online and the Burmester® surround sound system.

Exterior

KEYLESS-GO Comfort package
20" AMG alloy wheels – 10-spoke design with 255/40 front and 285/35 rear tyres
Active Parking Assist including PARKTRONIC and reversing camera
AMG front apron with black-painted jet wing and trim strip in high-gloss chrome
AMG radiator grille in high-gloss chrome with AMG lettering
AMG SPEEDSHIFT MCT 9-speed sport transmission
MULTIBEAM LED with ULTRA RANGE Highbeam
'V8 BITURBO' lettering on the front wings

Interior

AMG dual-bonded widescreen cockpit display (12.3-inch)
AMG floor mats with 'AMG' lettering
AMG nappa leather sports seats with AMG V8-specific seat layout, optimised lateral support and AMG badge in front and rear backrests
AMG sports steering wheel in 3-spoke design in nappa leather with perforated grip area, 12 buttons, decorative topstitching and silver-coloured aluminium gearshift paddles
Ambient lighting – choice of 64 colour settings
Burmester® surround sound system
COMAND Online system with 12.3-inch media display
Comfort-ventilated front seats
Illuminated AMG door sill panels with 'AMG' lettering at front and rear

Trim and Upholstery

Black poplar wood
Nappa leather – black
Nappa leather – magma grey/espresso brown
Nappa leather – nut brown/black
Nappa leather – porcelain/black
Nappa leather – silk beige/espresso brown

¹Choice of either black poplar or brown burr walnut wood trim

Please refer to page 57 for the full range of trim and upholstery choices



> View offers



> Book a test drive



> Find a Retailer



> View the Range Guide

Mercedes-AMG S 65 L

24



Optional features shown: AMG high-performance ceramic composite braking system (code B07); privacy glass (code 840); anthracite blue metallic (code 998)



> View offers



> Book a test drive



> Find a Retailer



> View the Range Guide



25



Optional features shown: AMG carbon fibre/black piano lacquer trim (code H10); mahogany brown/silk beige Exclusive nappa leather (code 564A)

The new Mercedes-AMG S 65 wouldn't be complete without 'V12 BITURBO' lettering on the front wings, 20" AMG multi-spoke alloy wheels, and AMG bodystyling complete with exclusive high-gloss chrome air inlets. Inside, the premium feel continues with Exclusive nappa leather on V12 design seats

with optimised lateral support, and the Executive equipment line. While the latest in technology comes in the form of the head-up display and the Burmester® high-end 3D surround system, the IWC analogue clock exudes an impression of timeless luxury.

Exterior

20" AMG alloy wheels – multi-spoke design with 255/45 front and 285/35 rear tyres

AMG front apron with black-painted jet wing and trim strip in high-gloss chrome with exclusive air inlet grilles in high-gloss chrome

Active Parking Assist including PARKTRONIC and 360° camera

AMG radiator grille in high-gloss chrome with AMG lettering

MULTIBEAM LED with ULTRA RANGE Highbeam

'V12 BITURBO' lettering on the front wings

Interior

AMG analogue clock in IWC design

AMG dual-bonded widescreen cockpit display (12.3-inch)

AMG headlining in black nappa leather

Ambient lighting – choice of 64 colour settings

Burmester® high-end 3D surround sound system

COMAND Online system with 12.3-inch media display

Executive equipment line

Exclusive nappa leather sports seats with AMG V12-specific seat layout, optimised lateral support and AMG badge in front and rear backrests

Head-up display

Illuminated AMG door sill panels with 'AMG' lettering at front and rear

Trim and Upholstery

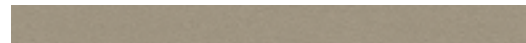
Brown burr walnut wood¹



Exclusive nappa leather – black



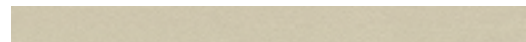
Exclusive nappa leather – silk beige/espresso brown



Exclusive nappa leather – nut brown/black



Exclusive nappa leather – porcelain/black



Exclusive nappa leather – magma grey/espresso brown



Exclusive nappa leather – mahogany brown/silk beige



Please refer to page 49 for the full range of trim and upholstery choices

¹Choice of either black poplar or brown burr walnut wood trim

Exclusive driver training for Mercedes-AMG S 63 and S 65 owners

All Mercedes-AMG S 63 and S 65 customers are invited to a complimentary AMG Driving Academy Training experience at Mercedes-Benz World.

With friendly one-to-one tuition from a professional Mercedes-AMG driver, your training will be personalised to you. You'll push Mercedes-AMG driving performance and your driving skills to the limits on our track and purpose-built low friction dynamic handling facilities.

Through high-speed and adrenaline-fuelled exercises you'll experience oversteer, understeer, slaloms and many more performance driving skills. Designed as part of your ownership experience, this will lay the foundations to master a high-performance vehicle, develop driving skills with maximum enjoyment and prepare you to take full command of your own Mercedes-AMG.

TERMS AND CONDITIONS

The following only are eligible: the first purchaser/registered keeper of a newly-registered Mercedes-AMG S 63 or S 65; the second owner/registered keeper of a Mercedes-AMG purchased from a Mercedes-Benz Retailer, where the vehicle is less than 90 days from registration. The AMG Driving Academy Training experience is the AMG-PERFORMANCE Training as detailed in the further information above and must be booked and taken within six months of delivery of your Mercedes-AMG S 63 or S 65; it cannot be exchanged and cannot be transferred for any other driving experience. The Training experience is available Monday to Friday only and is subject to availability. Mercedes-Benz Cars UK Limited reserves the right to amend or withdraw this Training experience. Attendees must hold a full UK driving licence. Attendees will be required to sign the Mercedes-Benz World Driving Risk Acknowledgement prior to undertaking the Training experience. The Training experience is also subject to the Mercedes-Benz World Terms and Conditions, as applicable.





> View offers



> Book a test drive



> Find a Retailer



> View the Range Guide



Pricing summary for model and equipment lines Executive, Premium and Premium Plus

Models	Recommended OTR price (£) ¹					
	AMG Line	AMG Line Premium	AMG Line Premium Plus	AMG Line Executive	AMG Line Executive Premium	AMG Line Executive Premium Plus
S 350 d	75,285.00	79,280.00	81,980.00	79,885.00	83,880.00	86,880.00
S 350 d L	78,085.00	82,080.00	84,780.00	82,685.00	86,680.00	89,380.00
S 400 d L	82,085.00	86,080.00	88,780.00	86,685.00	90,680.00	93,380.00
S 450 L	81,930.00	85,925.00	88,625.00	86,530.00	90,525.00	93,225.00
S 500 L	87,180.00	91,175.00	92,575.00	91,780.00	95,775.00	97,175.00
S 560 e L EQ Power	97,480.00	101,475.00	102,875.00	102,080.00	106,075.00	107,475.00
				Mercedes-AMG		Mercedes-AMG Executive
Mercedes-AMG S 63 L			128,200.00			132,800.00

¹The recommended on-the-road price includes the Road Fund Licence applicable to the standard model plus delivery charge (£635.00 incl. VAT), new vehicle registration fee (£55.00) and number plates (£25.00 incl. VAT). VAT is calculated at the standard rate of 20%



> View offers



> Book a test drive



> Find a Retailer



> View the Range Guide

Standard equipment



KEYLESS-GO Comfort package



COMAND Online system



MAGIC VISION CONTROL



Ambient lighting – choice of 64 colour settings



Front Seat Memory package



MULTIBEAM LED with ULTRA RANGE Highbeam



Item			
	AMG Line (L)	Mercedes-AMG S 63 L	Mercedes-AMG S 65 L
Transmission and Suspension			
9G-TRONIC 9-speed automatic transmission with steering column gear selector, steering wheel gearshift paddles (Direct Select) and SPEEDTRONIC cruise control	●	-	-
AIRMATIC air suspension with level adjustment and Adaptive Damping System	●	-	-
AMG SPEEDSHIFT MCT 9-speed sports automatic transmission with RACE START function, ECO start/stop function and four transmission modes: 'C' (Comfort), 'S' (Sport), 'S+' (Sport Plus) and 'I' (Individual)	-	●	-
AMG SPEEDSHIFT PLUS 7G-TRONIC automatic transmission with ECO start/stop function and four transmission modes: 'C' (Comfort), 'S' (Sport), 'S+' (Sport Plus) and 'I' (Individual)	-	-	●
AMG sports suspension based on AIRMATIC	-	●	-
AMG sports suspension based on MAGIC BODY CONTROL with curve tilting function	-	-	●
ECO start/stop function	●	●	●
MAGIC BODY CONTROL	-	-	●

Item			
	AMG Line (L)	Mercedes-AMG S 63 L	Mercedes-AMG S 65 L
Steering			
AMG speed-sensitive sports steering	-	●	●
Direct Steering	●	-	-
Steering column – electrically adjustable with EASY-ENTRY function	●	●	●
Steering wheel – 3-spoke multifunction sports steering wheel in nappa leather black, with flattened bottom section, perforated grip area, with Touch Control buttons	●	-	-
Steering wheel – AMG sports steering wheel in 3-spoke design in nappa leather with perforated grip area, with flattened bottom section, steering wheel trim in silver chrome with 'AMG' lettering and silver-coloured aluminium gearshift paddles, 12 o'clock marking and Touch Control buttons	-	●	●

Item	AMG Line (L)	Mercedes-AMG S 63 L	Mercedes-AMG S 65 L
Exterior			
KEYLESS-GO Comfort package The vehicle can be conveniently unlocked, started and locked with this access and drive authorisation system – simply by carrying the electronic key. The engine can be switched on and off by pressing the start/stop button in the ignition lock. The hands-free access allows hands-off, fully automatic opening and closing of the boot lid by performing a kicking movement under the rear bumper. The package includes handle recess illumination so that the door handles are easily visible in dark lighting conditions	●	●	●
Active Parking Assist including PARKTRONIC and reversing camera	●	●	-
Active Parking Assist including PARKTRONIC and 360° camera	△	○	●
AMG bodystyling – front apron, rear apron and side skirts	●	-	-
AMG bodystyling Comprising S 63-specific front apron with black-painted jet wing and trim strip in high-gloss chrome, AMG radiator grille in high-gloss chrome with AMG lettering, AMG rear apron with striking black diffuser insert and two chrome-plated twin tailpipe trim elements	-	●	-
AMG bodystyling Comprising S 65-specific front apron featuring cross strut and flics in high-gloss chrome, AMG radiator grille in high-gloss chrome with AMG lettering, AMG rear apron with striking black diffuser insert and two chrome-plated twin tailpipe trim elements in AMG V12 design	-	-	●

Item	AMG Line (L)	Mercedes-AMG S 63 L	Mercedes-AMG S 65 L
AMG high-performance composite brake system with 390×36 mm composite brakes at front and 360×26 mm brake discs at rear	-	●	●
AMG Performance exhaust system with flap control by means of a button	-	●	-
AMG sports exhaust system with two sets of twin chrome tailpipes in AMG V12 design	-	-	●
Charging cable for wallbox and public charging stations (mode 3) – 8 m, 16 A (S 560e L only)	●	-	-
Charging cable for household socket (mode 2) – 8 m, 8 A (S 560e L only)	●	-	-
Closing aid for doors and boot lid (standard for S 500 L and S 560e L only)	△	●	●
Diesel Particulate Filter (S 350 d/L and S 400 d L only)	●	-	-
Petrol Particulate Filter (S 450 L, S 500 L, S 560e L and AMG S 63 L only)	●	●	-
Exterior mirrors – electrically adjustable, folding and heated	●	●	●
Electric panoramic glass sunroof	△	●	●
Exhaust system – with visible two-pipe exhaust system in chrome	●	-	-
Infrared-reflective, noise insulating glass all round (S 500 L and S 560e L only)	●	●	●
LED tail lights	●	●	●
MAGIC VISION CONTROL – adaptive windscreen wiper system, heated	●	●	●

Item	AMG Line (L)	Mercedes-AMG S 63 L	Mercedes-AMG S 65 L
Exterior (continued)			
Mirror projection of brand logo	△	●	●
MULTIBEAM LED with ULTRA RANGE Highbeam LED headlights with individually controllable LEDs react extremely quickly to the current traffic situation. The partial main beam excludes detected road users – on a free, straight stretch, the ULTRA RANGE Highbeam switches to the legally permitted maximum headlight range	●	●	●
Remote boot lid release	●	●	●
Tinted glass – green	●	●	●
TIREFIT tyre-sealant kit	●	●	●
‘V8 BITURBO’ lettering on front wings	–	●	–
‘V12 BITURBO’ lettering on front wings	–	–	●

Item	AMG Line (L)	Mercedes-AMG S 63 L	Mercedes-AMG S 65 L
Interior			
AIR-BALANCE package – fragrance generator with perfume flask in glove compartment	△	●	●
Front Seat Comfort package Active multi-contour seats with dynamic and massage function	△	●	●
Front Seat Memory package Additional four-way electric lumbar support for front passenger seat Front seats, front head restraints, steering column and exterior door mirrors – electrically adjustable with memory	●	●	●
Warmth Comfort package Armrest heating in front and rear Heated multifunction steering wheel	△	△	●
12 V socket – on centre console, front and rear, and in boot	●	●	●
Ambient lighting – choice of 64 colour settings	●	●	●
AMG dual-bonded widescreen cockpit consisting of an Instrument Display and Media Display including AMG main menu and AMG start-up screen	–	●	●
AMG emblem embossed in front centre armrest	–	●	●
AMG illuminated door sill panels in brushed stainless steel at front and rear, with ‘AMG’ lettering	–	●	●
AMG-specific IWC-design analogue clock	–	●	●
AMG sports pedals in brushed stainless steel with rubber studs	●	●	●
AMG sports seats with AMG V8-specific seat layout, optimised lateral support and AMG badge in front and rear backrests	–	●	–

Item	AMG Line (L)	Mercedes-AMG S 63 L	Mercedes-AMG S 65 L
Interior (continued)			
AMG sports seats with AMG V12-specific seat layout, optimised lateral support and AMG badge in front and rear backrests	-	-	●
Analogue clock with Mercedes-Benz star	●	-	-
Automatically dimming rear-view mirror and driver's exterior mirror	●	●	●
Brake calipers with 'AMG' lettering in grey	-	●	●
Brake calipers with 'Mercedes-Benz' lettering in grey	●	-	-
Centre armrests - front and rear, with stowage	●	-	●
Cup holders - front (2) and rear (2)	●	●	●
Dual-bonded 12.3" widescreen cockpit consisting of an Instrument Display and Media Display	●	●	●
Electric windows (4) with PRE-SAFE® closing function	●	●	●
ENERGIZING Comfort control - intelligent cross-linking of all comfort systems Drivers can choose from six different expert configured programs for activation and relaxation, depending on their personal needs	△	●	●
Executive equipment line Backrest angle adjustable up to 37° Closing aid for doors and boot lid Comfort-ventilated rear seats with cooling and heating function Electrically operated rear seats with memory function Luxury rear head restraints with additional comfort cushion Roller Blind package (code P09) THERMOTRONIC - luxury automatic climate control, rear (code 582)	△	△	●

Item	AMG Line (L)	Mercedes-AMG S 63 L	Mercedes-AMG S 65 L
Floor mats - AMG Exclusive floor mats with 'AMG' lettering	-	●	●
Floor mats - AMG floor mats with 'AMG' lettering	●	-	-
Front seats - comfort-ventilated	△	●	●
Front seats - full electric adjustment Fore and aft, height, inclination and seat cushion length adjustment, electric head restraint height adjustment and four-way electric lumbar support	●	●	●
Front seats - heated	●	●	●
Garage door opener - integrated in rear-view mirror For questions regarding compatibility please visit www.homelink.com	-	-	●
Glasses stowage compartment	●	●	●
Glove compartment - lockable, air-conditioned and illuminated	●	●	●
Head restraints, rear (3) - electrically lowering	●	●	●
Illuminated door sill panels	●	●	●
Illuminated vanity mirrors - front and rear	●	●	●
KEYLESS-GO starting function	●	●	●
Load securing rings in boot	●	●	●
Map pockets on front seat backrests	●	●	●
Outside temperature gauge	●	●	●
Parcel nets in boot and front passenger footwell	●	●	●

Item	AMG Line (L)	Mercedes-AMG S 63 L	Mercedes-AMG S 65 L
Interior (continued)			
Reading lights – front and rear	●	●	●
Rear seats – comfort-ventilated	△	△	●
Rear seats – heated	●	●	●
Rear sill protector – black (S 350 d/S 350 d L/S 400 d L/S 450 L)	●	-	-
Rear sill protector – stainless steel (S 500 L/S 560 e L)	●	●	●
Stowage compartment in rear seat armrest	●	●	●
THERMOTRONIC – luxury automatic climate control, rear	△	△	●
THERMOTRONIC – luxury automatic climate control, two-zone with three climate modes: Focused, Medium and Diffuse	●	●	●
Trip computer – in multifunction display, showing current fuel consumption	●	●	●

Item	AMG Line (L)	Mercedes-AMG S 63 L	Mercedes-AMG S 65 L
Paint, Trim and Upholstery			
Dashboard – upper section in ARTICO leather ¹	●	●	-
Dashboard – upper section in nappa leather	-	-	●
Paint – metallic	●	●	●
Trim – black poplar wood	●	●	○
Trim – brown burr walnut wood	○	○	●
Upholstery – Exclusive Nappa Leather package Armrests and lining of centre console in nappa leather with contrast stitching Colour contrast fluting on beltline DINAMICA microfibre roof lining Door panels with hand-stitched facings in nappa leather Exclusive nappa leather upholstery Extended trim parts: additional wood trim in door centre panels and rear air vent covers Nappa leather upper dashboard with diamond-pattern perforations and contrast stitching Perforated diamond pattern in continuation of front door armrests and in rear door seat function control panels Seats in diamond pattern nappa leather with contrast stitching Trim – choice of black poplar or brown burr walnut wood trim (no-cost option) AMG S 65 only: AMG badges in front and rear seat backrests; AMG roof liner in nappa leather; seat covers in AMG exclusive nappa leather with contrasting topstitching; seat upholstery layout with AMG-specific diamond design	○	○	●
Upholstery – leather	●	-	-
Upholstery – nappa leather	○	●	-



Item	AMG Line (L)	Mercedes-AMG S 63 L	Mercedes-AMG S 65 L
Safety and Assistance Systems			
Driving Assistance package Please refer to page 41 for details	○	●	●
Rear Seat Safety package for the outer rear seats, including rear sidebags and beltbags	○	○	●
Active bonnet – pedestrian safety measure	●	●	●
Adaptive brake lights	●	●	●
Airbags – driver and front passenger	●	●	●
Airbags – front sidebags	●	●	●
Airbags – rear sidebags	○	○	●
Airbags – windowbags	●	●	●
Alarm system with immobiliser and interior protection (MBSS3) Thatcham Category 1 certified	●	●	●
Anti-lock braking system (ABS) with Brake Assist (BAS)	●	●	●
ATTENTION ASSIST Monitors steering behaviour and can help alert to long journey fatigue	●	●	●
Automatic child seat recognition sensor Works in conjunction with Mercedes-Benz child seats fitted with transponder	●	●	●
Brake pad wear indicator – front brakes	●	●	●
COLLISION PREVENTION ASSIST PLUS	●	-	-

Item	AMG Line (L)	Mercedes-AMG S 63 L	Mercedes-AMG S 65 L
Crosswind Assist	●	●	●
Electric parking brake	●	●	●
Electronic Stability Programme (ESP®) with Acceleration Skid Control (ASR)	●	●	●
ESP® Curve Dynamic Assist	●	●	●
First-aid kit	●	●	●
Front passenger seat with PRE-SAFE® positioning function	●	●	●
Headlight Assist – automatic headlight activation	●	●	●
i-Size and ISOFIX child seat fixing points in rear (two outer seats)	●	●	●
Locking wheel bolts	●	●	●
Night View Assist Plus With early detection of people and large animals in the dark, including spotlight function and windscreen with heat and noise-insulating and infrared-reflecting glass	○	○	●
PRE-SAFE® anticipatory occupant protection system	●	●	●
PRE-SAFE® Impulse	●	●	●
Rain-sensing wipers – two-stage	●	●	●
Rear seat belt status indicator	●	●	●
Remote central locking	●	●	●

Item	AMG Line (L)	Mercedes-AMG S 63 L	Mercedes-AMG S 65 L
Safety and Assistance Systems (continued)			
Seat belts, rear – three-point (3)	●	●	●
Seat belt pre-tensioners, belt force limiters and automatic belt height adjustment – front and outer rear seats	●	●	●
Service indicator ASSYST	●	●	●
Traffic Sign Assist Speed Limit Assist with wrong-way warning function and display of speed limit in instrument cluster	●	●	●
Tyre pressure monitoring system	●	●	●

Item	AMG Line (L)	Mercedes-AMG S 63 L	Mercedes-AMG S 65 L
Communications and In-Car Entertainment			
10 Loudspeakers with FrontBass® (350 d/L, 400 d L, 450 L models only)	●	–	–
Burmester® high-end 3D surround sound system 27 speakers and 28-channel amplifier with total output of 1,590 W	○	○	●
Burmester® surround sound system (standard on AMG Line S 500 L and S 560 e L only) 13 speakers and 9-channel DSP amplifier with total output of 590 W	△	●	–
Central controller dial to operate audio functions and telephone (when connected)	●	●	●
COMAND Online system with Media Interface and touchpad Includes DAB radio, 12.3-inch colour display, hard disk drive (HDD) navigation with 3D map display, Live Traffic Information and European map data updates free of charge for the first three years, Speed Limit Assist and LINGUATRONIC voice control. Integrated WLAN hotspot for onboard access of WLAN-enabled devices. Also includes SD memory card slot, 10 GB music register and MP3 compatibility. Bluetooth® interface with high-definition call quality for hands-free telephony. Media Interface allows connection and control of portable media devices (e.g. MP3 player, USB storage media)	●	●	●
DAB digital radio tuner	●	●	●
Digital operating instructions	●	●	●
Head-up display Virtual colour image (21×7 cm) showing information such as vehicle speed directly in driver's field of vision	△	△	●



Item	AMG Line (L)	Mercedes-AMG S 63 L	Mercedes-AMG S 65 L
Communications and In-Car Entertainment (continued)			
Mercedes me connect (standard services) Including emergency call system (eCall), accident recovery, breakdown management and maintenance management; Mercedes-Benz apps and in-car internet access for Facebook, internet radio, sending routes from Google Maps™ to the vehicle, news and weather reports; internet-enabled mobile phone required*	●	●	●
Mercedes me connect Concierge Service Exclusive assistance and information service for Mercedes-Benz customers. It provides personal support by telephone in the search for interesting locations (POI), restaurants or hotels. Free of charge for first year. Extension possible and pricing information available via Mercedes me store	●	●	●
Near Field Communication Enables a convenient, wireless connection of the mobile phone with the vehicle's telematics simply by holding the mobile phone near the NFC logo on the head unit	●	●	●
Rear seat entertainment system Two 10.2 inch screens on rear seat backrests, Blue-ray DVD player, two sets of wireless headphones and remote control for COMAND Online system	△	△	●

Item	AMG Line (L)	Mercedes-AMG S 63 L	Mercedes-AMG S 65 L
Smartphone integration – comprising Apple CarPlay™ Compatible iPhones (iPhone 5 and newer) can be integrated into the vehicle via Apple CarPlay™. Please check on www.apple.com/uk/ios/carplay/ for compatibility and approved apps. Certain features and apps require a 3G or 4G data connection. Control of features available through voice control and controller on centre console	●	●	●
TV tuner – with digital reception capabilities	○	○	●
Two USB ports in the rear	●	●	●
Wireless charging system (front) for mobile devices Charges mobile phones which support the Qi standard wirelessly on a charging surface, Near Field Communication (NFC) for quickly connecting to mobile phone	●	●	●

Wheels



793 19" AMG alloy wheels (4) – 5-twin-spoke design
front: 245/45 tyres, rear: 275/40 tyres

AMG Line	●
Mercedes-AMG S 63	–
Mercedes-AMG S 65	–
Basic RRP incl. VAT (£)	–
excl. VAT (£)	–



769 20" alloy wheels (4) – multi-spoke design
front: 245/40 tyres, rear: 275/35 tyres

AMG Line	○
Mercedes-AMG S 63	–
Mercedes-AMG S 65	–
Basic RRP incl. VAT (£)	780.00
excl. VAT (£)	650.00



RRM 20" AMG alloy wheels (4) – 10-spoke design
front: 245/40 tyres, rear: 275/35 tyres

AMG Line	○
Mercedes-AMG S 63	–
Mercedes-AMG S 65	–
Basic RRP incl. VAT (£)	985.00
excl. VAT (£)	820.83



647 20" AMG alloy wheels (4) – 10-spoke design
front: 255/40 tyres, rear: 285/35 tyres

AMG Line	-
Mercedes-AMG S 63	●
Mercedes-AMG S 65	-
Basic RRP incl. VAT (£)	-
excl. VAT (£)	-



696 20" AMG alloy wheels (4) – multi-spoke design
front: 255/40 tyres, rear: 285/35 tyres

AMG Line	-
Mercedes-AMG S 63	-
Mercedes-AMG S 65	●
Basic RRP incl. VAT (£)	-
excl. VAT (£)	-



RTR 20" AMG alloy wheels (4) – AMG cross-spoke forged wheels
front: 255/40 tyres, rear: 285/35 tyres

AMG Line	-	-
Mercedes-AMG S 63	○	-
Mercedes-AMG S 65	-	○
Basic RRP incl. VAT (£)	1,190.00	no-cost option
excl. VAT (£)	991.67	

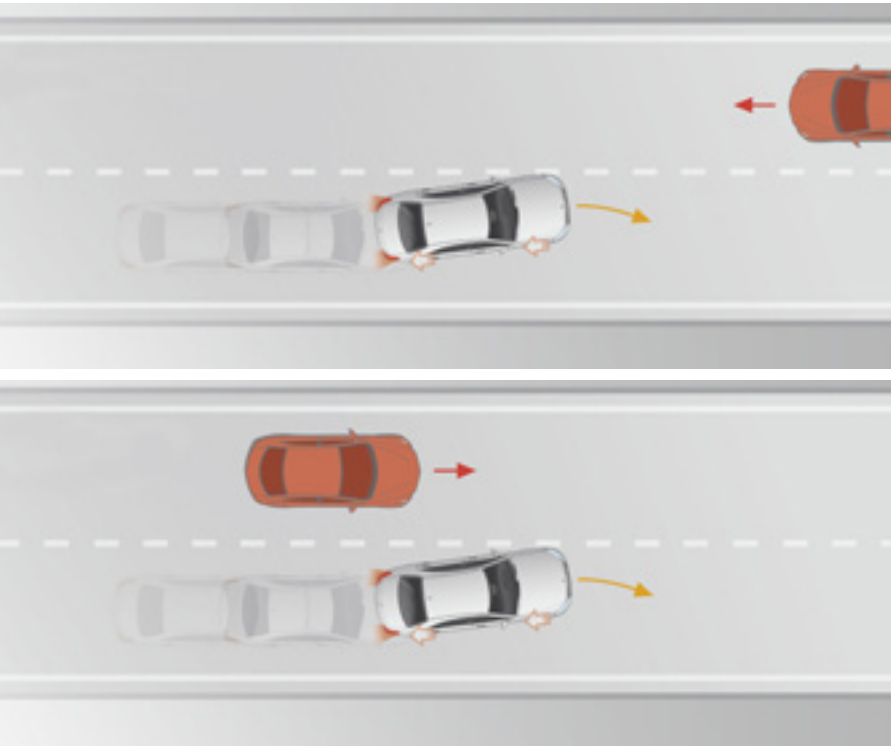


RTS 20" AMG alloy wheels (4) – AMG cross-spoke forged wheels, matt black
front: 255/40 tyres, rear: 285/35 tyres

AMG Line	-	-
Mercedes-AMG S 63	○	-
Mercedes-AMG S 65	-	○
Basic RRP incl. VAT (£)	1,965.00	no-cost option
excl. VAT (£)	1,637.00	

Driving Assistance package

More comfort and less stress for the driver, and therefore more safety for all road users, for example by virtue of semi-automated driving, autonomous braking in certain dangerous situations and active assistance during evasive and braking manoeuvres initiated by the driver.



Driving Assistance package (code 23P) – including items listed below.

AMG Line

Total incl. VAT £1,695.00

Standard on Mercedes-AMG S 63 and Mercedes-AMG S 65

Active Distance Assist DISTRONIC controls the distance to vehicles in front up to a speed of 131mph and if necessary brakes the vehicle with up to 50% of the maximum braking power

Active Steering Assist helps the driver keep the vehicle in the centre of its lane on straight stretches of road or slight bends. Reduces the risk of accidents and improves protection for both the occupants and other road users

Active Speed Limit Assist adopts speed limits detected automatically as the new set speed for Active Distance Assist DISTRONIC

Active Braking Assist with Cross-Traffic Function and Congestion emergency braking function can help to avoid or lessen the consequences of accidents with vehicles in front as well as crossing vehicles and pedestrians

Evasive Steering Assist is able to support the driver with making an evasive manoeuvre when, in a situation of danger, he/she decides to avoid a pedestrian who has been detected by the system

Active Blind Spot Assist can warn the driver of vehicles in the blind spot during a lane change and can help to avoid a collision by means of one-sided brake application

Active Lane Keeping Assist can warn the driver when they unintentionally leave their lane and can use one-sided brake applications to help manoeuvre the vehicle back into its lane (including in the case of broken lane markings if there is a risk of collision)

PRE-SAFE® PLUS is able to initiate preventive measures to protect occupants against an impending rear impact, including warning traffic following behind, activating the seat belt tensioners or applying the brakes when the vehicle is stationary

Route-based speed adaptation. Adaption of speed before curves, roundabouts, junctions, toll roads. Allows for smoother and more accurate functionality of several driving assistant systems

Exclusive Nappa Leather package



The Exclusive nappa leather from *designo manufaktur* refines the entire interior, from the roof liner in DINAMICA microfibre through to the seats with diamond quilting and perforations, fully leather-finished doors, and dashboard in the finest designo Exclusive nappa leather.

Exclusive Nappa Leather package (code P34) – designed and priced as a package, including items listed below.

AMG Line **Total incl. VAT £6,890.00**

Exclusive Trim package (additional trim in door centre panels, covers of the rear air vents and on the backs of the front seats)

Centre armrest at front and rear in nappa leather with contrasting topstitching

Grab handles in nappa leather with contrasting topstitching

Map pockets on the backrests of the driver and front passenger seats in nappa leather

Roof liner and sun visors in DINAMICA microfibre

Seat covers in exclusive nappa leather with contrasting topstitching

Seat upholstery layout with diamond design

Stainless-steel boot sill

Upper section of instrument panel and door centre panels in nappa leather with contrast topstitching

Velour floor mats

Only in conjunction with either Executive equipment line (code DA1) or Individual Rear Seats package (code DA2) and Roller Blind package (code P09).

In addition for short wheelbase: electric panoramic glass sunroof (code 413)

Please refer to page 65 for the full range of upholstery options



Exclusive Nappa Leather package (code P34) – designed and priced as a package, including items listed below.

Mercedes-AMG S 63

Total incl. VAT £4,790.00

Standard on Mercedes-AMG S 65

In addition for AMG:

Seat covers in AMG exclusive nappa leather with contrasting topstitching

Seat upholstery layout with AMG-specific diamond design AMG badges in front and rear seat backrests

Roof liner and sun visors in DINAMICA microfibre (AMG S 63)

AMG roof liner in nappa leather (AMG S 65)

Only in conjunction with either Executive equipment line (code DA1) or Individual Rear Seats package (code DA2) and Roller Blind package (code P09)

Please refer to page 66 for all upholstery options

Individual Rear Seats package



Long-wheelbase models offer the option of two individual reclining rear seats in place of the standard three-person seat. At the touch of a button seats move into a comfortable reclining position, and luxury rear head restraints with an additional comfort cushion ensure the best possible comfort for the rear seats.

Individual Rear Seats package (code DA2) – designed and priced as a package, including items listed below.

AMG Line & Mercedes-AMG S 63	Total incl. VAT £6,000.00
Mercedes-AMG S 65	£2,900.00

Backrest angle adjustable up to 37°

Comfort-ventilated rear seats

Electrically adjustable rear seats with memory function

Individual rear seats and folding rear tables

Luxury rear head restraints with additional comfort cushion

Stowage compartment with two 12 V sockets

Temperature-controlled cup holders (2)

THERMOTRONIC – luxury automatic climate control, rear

Long-wheelbase models only. Not in conjunction with Executive equipment line (code DA1).
Reduces boot capacity by 30 litres

Rear Luxury Lounge package



Rear Seat Entertainment System



Front passenger seat with extended adjustment

If you usually let a chauffeur do the driving for you, another option that's worth considering is the Rear Luxury Lounge, which lets you fold the front passenger's seat right out of the way.

Rear Luxury Lounge package (code DP5) – designed and priced as a package, including items listed below.

AMG Line & Mercedes-AMG S 63

Total incl. VAT £4,595.00

Standard on Mercedes-AMG S 65

2 × wireless headsets

Chauffeur position for front passenger seat

Executive rear seat on front passenger side with leg rest

Front passenger seat with extended adjustment

Multi-contour rear seats

Rear Seat Entertainment System

TV Tuner

Long-wheelbase models only. Only in conjunction with Executive equipment line (code DA1) or Individual Rear Seats package (code DA2)

Business Telephony package



Rear wireless charging only in conjunction with Executive equipment line



Rear wireless charging only in conjunction with Individual Rear Seats package

The Bluetooth® handset is integrated in the rear armrest, where it is clearly visible and ideally accessible. The system has its own hands-free zone in the rear and allows call transfer from the rear to the front and vice versa. A second telephone can also be connected. Charging your smartphone has never been easier. With the Business Telephony package, mobile phones can be charged wirelessly.

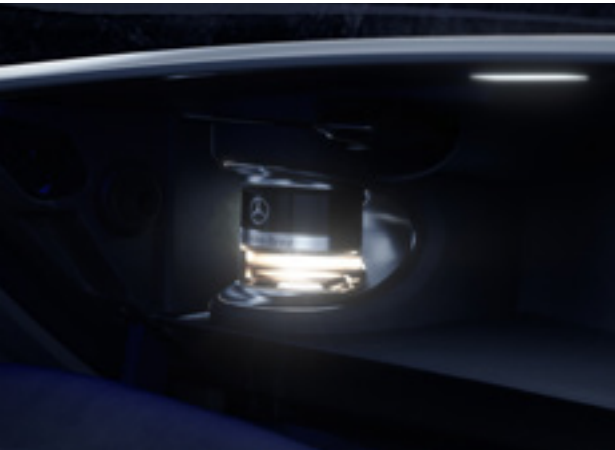
Business Telephony package (code DP6) – designed and priced as a package, including items listed below.

AMG Line & Mercedes-AMG S 63	Total incl. VAT £3,600.00
In addition to the above, with Rear Luxury Lounge package (code DP5)	£2,250.00
Mercedes-AMG S 65	£900.00

2 × wireless headsets
Business telephony in the rear
Car telephony with sim card module in glove box
Rear entertainment system
Rear wireless charging

Only in conjunction with either Executive equipment line (code DA1) or Individual Rear Seat package (code DA2)

Optional equipment



AIR-BALANCE package



Burmester® high-end 3D surround sound system



Heated windscreen – part of Winter package



Panoramic roof with MAGIC SKY CONTROL



Multifunction steering wheel in wood/leather



Privacy glass

Item	Notes	AMG Line (L)	Mercedes-AMG S 63 L	Mercedes-AMG S 65 L	Basic RRP excl. VAT (£)	Total RRP incl. VAT (£)	
AMG Performance Studio							
AMG Driver's package Includes an increase to your vehicle's electronically limited top speed (186 mph) and participation in one of the AMG-PERFORMANCE Training 'Power and Passion' events. The event is run by the AMG Driving Academy and held at a racetrack located in mainland Europe	For further information on this or any other AMG Driving Academy training, please speak to your Retailer, or visit www.mercedes-amg.com/driving-academy	250	-	○	-	2,295.83	2,755.00
			-	-	○	637.50	765.00
AMG Exterior Carbon Fibre Trim package Comprising cross strut on front apron, exterior mirror housings, inserts in rear apron and carbon fibre inserts in side sill panels		773	-	○	○	4,166.67	5,000.00
AMG Night package AMG side sill panel inserts in high-gloss black AMG sport exhaust system with two black twin tailpipe trims in chrome finish Cross strut in front apron in high-gloss black Exterior mirror housings in high-gloss black Rear apron insert in high-gloss black		P60	-	○	○	695.83	835.00
	In conjunction with AMG Exterior Carbon Fibre Trim package (code 773)		-	○	○	412.50	495.00
AMG high-performance ceramic composite braking system With composite brake discs, 420 × 40 mm front and 360 × 32 mm rear, plus specially-painted yellow brake calipers with 'AMG Carbon Ceramic' lettering	Only in conjunction with AMG alloy wheels (code 647/696/RTR/RTS). Not in conjunction with red-painted brake calipers (code U70). Please check with your Retailer for availability.	B07	-	○	○	5,829.17	6,995.00
Air inlet grilles and flics on front apron in high-gloss black instead of high-gloss chrome	Standard in conjunction with Night package (code P60)	5U2	-	-	○	no-cost option	
Brake calipers – painted red, with 'AMG' lettering	Not in conjunction with AMG high-performance ceramic composite brake system (code B07)	U70	-	○	○	516.67	620.00

Item	Notes		AMG Line (L)	Mercedes-AMG S 63 L	Mercedes-AMG S 65 L	Basic RRP excl. VAT (£)	Total RRP incl. VAT (£)
Exterior							
Omit model designation	Deletes model and engine badging; retains central Mercedes-Benz star on boot lid. Excludes S 560 e L	260	○	-	-	no-cost option	
Privacy glass – dark glass from B-pillar backwards		840	○	○	○	287.50	345.00
Comfort							
AIR-BALANCE package Fragrance generator with perfume flask in glove compartment; improved filter system between intake and distribution system; oxygen ioniser in side air duct. FREESIDE MOOD is standard for both short- and long-wheelbase S-Class. A choice of high quality interior fragrances to suit personal preferences is available from Mercedes-Benz Accessories	Included as part of Premium Plus equipment line (code DP1)	P21	○	●	●	300.00	360.00
Roller Blind package Electric roller blind for rear window and sun blinds for rear side windows	Included with Executive equipment line (code DA1)	P09	○	○	●	841.67	1,010.00
Warmth Comfort package Armrest heating in front, rear and centre console Heated multifunction steering wheel Heated multifunction AMG performance steering wheel in nappa leather (Mercedes-AMG only)	AMG Line: Only in conjunction with multifunction steering wheel in wood/leather (code L2D). Mercedes-AMG: additionally available with nappa leather/DINAMICA microfibre (code L6K). Included as part of Winter package (code DP4) for all models. Not available with designo open-pore ash wood trim (code H27 and H28)	P69	○	○	●	933.33	1,120.00

Item	Notes		AMG Line (L)	Mercedes-AMG S 63 L	Mercedes-AMG S 65 L	Basic RRP excl. VAT (£)	Total RRP incl. VAT (£)
Comfort (continued)							
Winter package Armrest heating in front and rear Heated armrest in rear and in centre console Head-up Display Heated multifunction steering wheel Heated steering wheel – wood/leather combination (for AMG Line only) Heated windscreen	Not in conjunction with TV tuner (code 865) or Rear Luxury Lounge (code DP5)	DP4	○	○	–	1,912.50	2,295.00
Electric panoramic glass sunroof		413	○	●	●	1,191.67	1,430.00
Panoramic roof with MAGIC SKY CONTROL – switchable transparency The large panoramic roof changes from dark to transparent or vice versa within a few seconds. In its tinted state it substantially reduces heating up of the vehicle interior	Not available on S350 d short-wheelbase models. Also available in conjunction with Premium or Premium Plus equipment lines (code DP0 or DP1) replacing the electric panoramic glass sunroof at the full option price	398	○	–	–	2,495.83	2,995.00
			–	○	○	1,304.17	1,565.00
THERMOTRONIC – luxury automatic climate control, rear	Included as part of Executive equipment line (code DA1)	582	○	○	●	975.00	1,070.00
Steering							
AMG Performance steering wheel in nappa leather/DINAMICA microfibre		L6K	–	○	○	350.00	420.00
Multifunction steering wheel in wood/leather 3-spoke wood- and nappa leather-trimmed AMG sports steering wheel	Only in conjunction with trims: 729/H10/H16/H21/H29 Included with Winter package (code DP4) and Warmth Comfort package (code P69)	L2D	○	–	–	516.67	620.00

Item	Notes		AMG Line (L)	Mercedes-AMG S 63 L	Mercedes-AMG S 65 L	Basic RRP excl. VAT (£)	Total RRP incl. VAT (£)
Safety and Assistance Systems							
Intelligent Rear Seat Belts package Illuminated seat belt buckle extenders facilitate seat belt fastening on outer rear seats Inflatable three-point seat belts with integrated belt bags on outer seats Sidebags in rear	Only in conjunction with Executive equipment line (code DA1) or Individual Rear Seats package (code DA2)	P36	○	○	●	829.17	995.00
Remote Parking package with 360° camera The Remote Parking package allows drivers to decide for themselves on the most convenient way to park: from the driver's seat with assistance from the camera images and if necessary the steering assistance of the Active Parking Assist or from outside the vehicle with the help of Remote Parking Assist	Included as part of Premium (code DP0) or Premium Plus (code DP1) equipment line	PBH	△	○	-	995.84	1,195.00
Night View Assist Plus With early detection of people and large animals in the dark, including spotlight function and windscreen with heat and noise-insulating and infrared-reflecting glass	S 500 L/S 560 e L	610	○	-	●	1,733.33	2,080.00
	All other models		○	○		1,875.00	2,250.00

Item	Notes		AMG Line (L)	Mercedes-AMG S 63 L	Mercedes-AMG S 65 L	Basic RRP excl. VAT (£)	Total RRP incl. VAT (£)
Communications and In-Car Entertainment							
Burmester® high-end 3D surround sound system 27 specially-designed speakers, 28 amplifier channels with a total system output of 1,590W. Includes voice amplification system which makes it easier to communicate with the rear passengers from the front. The two microphones in the interior mirror are also used to pick up speech for the hands-free telephone system. These signals are then discreetly amplified depending on the amount of driving noise, and continuously adjusted for the speaker's volume and the ambient noise level	Only in conjunction with Roller Blind package (code P09) with electric panoramic glass sunroof (code 413). Reduces luggage capacity by 40 litres. Not in conjunction with Burmester® surround sound system (code 810)	811	○	-	●	5,358.33	6,430.00
	Only in conjunction with Premium Plus equipment line (code DP1) or Mercedes-AMG S 63 and both with Roller Blind package (code P09)		○	○	-	4,416.67	5,300.00
CD drive	Installed in the glove box	870	○	○	○	216.67	260.00
TV tuner – with digital reception capabilities	Included with Rear Luxury Lounge (code DP5)	865	○	○	●	925.00	1,110.00
Service Package							
ServiceCare ServiceCare allows you to spread the cost of servicing your new car in the Mercedes-Benz Retailer network. Taking out a ServiceCare plan ensures your servicing needs are taken care of by fully trained Mercedes-Benz Technicians with the added benefit of a Mercedes-Benz service history	Price is based on a monthly rate. Example given is for two services taken over 24 months; three services over 36 months; or four services over 48 months. Further payment options are available. New ServiceCare prices apply only to vehicles up to 12 months old prior to first service		○	-	-	30.00	36.00
			-	○	○	37.50	45.00

Mercedes me applications and services¹

Features available via Mercedes me store: <https://mercedes-benz.com/en/mercedes-me/>

Item	Notes	Notes on pricing and availability
Concierge Services Available through me connect, providing personal support by telephone in the search for interesting locations (POI), restaurants or hotels		Free of charge for first year Extension possible and pricing information available via Mercedes me store
In-Car Internet Ability for an in-car internet service and personalised radio. Use the whole world of the internet in your vehicle by using COMAND Online as a Wi-Fi hotspot allowing unlimited access to internet radio. All you need is a Vodafone account with the corresponding data volume		Available via Mercedes me store Please refer to Mercedes me store for pricing information
Live Traffic Using this service allows the reception of up-to-date and precise traffic information for optimised dynamic route guidance and a more accurate estimated time of arrival		Free of charge for first three years Requires acceptance of Terms and Conditions on Mercedes me connect after first three months. Extension possible and pricing information available via Mercedes me store
Remote Parking Pilot Allows user to park vehicle via a compatible Apple device	Only available with 360° camera (code P47) or Premium or Premium Plus equipment line (code DP0 and DP1). Not available for Mercedes-AMG S 65	Available via Mercedes me store Please refer to Mercedes me store for pricing information. Free for the first 3 years
Vehicle Settings Personal profile of your favourite settings Remote door locking and unlocking Remote retrieval of vehicle status Send to car function		Free of charge for first three years Extension possible and pricing information available via Mercedes me store
Vehicle Monitoring Geofencing Parked vehicle locator Vehicle tracker		Available via Mercedes me store Please refer to Mercedes me store for pricing information. Free for the first 3 years

¹Extra services available via the Mercedes me account on new S-Class. Terms and Conditions must be agreed to in the Mercedes me portal before activation. Currently unavailable in the Channel Islands and the Isle of Man.

Genuine Accessories

We've developed a range of Accessories you can add to help personalise and enhance your S-Class. Your local Mercedes-Benz Retailer can advise on fitting costs of Accessories, where applicable. Further information on our full range of Genuine Accessories can be found on the Mercedes-Benz UK website.

01 | Head restraint modular system

Carefree travel with Mercedes-Benz Style & Travel Equipment. The head restraint elements are simple to fit and remove. The modular system centres around a base support which can be combined with a coat hanger, universal hook, folding table and tablet mount.

RRP from £106.50 (incl. VAT)

01



02 | Stowage crate

A secure hold for items which are prone to tip over or slide around, e.g. shopping bags. Adjustable partitioning elements allow crate to be divided into max. 4 sections. Optimum functionality only in conjunction with shallow boot tub. RRP £87.50 (incl. VAT)

03 | Concertina load sill protector

Foldable protective mat. Easy to attach. Protects bumper and load sill from scratches. Helps keep the load area clean. Helps protect clothing when loading boot or roof box. Can be connected to boot tub and reversible mat. Space-saving stowage. Easy to clean. RRP £41.53 (incl. VAT)





04 | All-season floor mats

Made from robust, washable synthetic material for heavy use. Latest design with recessed areas and raised edge. With distinctive Mercedes star logo. Price includes both front and rear mats.

RRP £121.54 (incl. VAT)

05 | Flacon perfume atomiser

For vehicles with the AIR-BALANCE package. Flacons for perfume atomiser, 15 ml. Available in a variety of fragrances.

RRP from £56.00 (incl. VAT)

06 | Alustyle basic carrier bars

Aluminium carrier bars, precision-tailored to the body of your Mercedes-Benz – the perfect basis for a range of Mercedes-Benz transport solutions: ski and snowboard rack, bicycle rack or roof boxes.

RRP £293.50 (incl. VAT)

07 | Mercedes-Benz roof boxes

An aerodynamic design, tailored to your Mercedes-Benz. In extremely durable material. Designed for quick, optimised attachment to the basic carrier bars. Particularly convenient loading and unloading thanks to the option of double-sided opening. Lockable from both sides. Available in various sizes.

RRP from £361.64 (incl. VAT)





> View offers



> Book a test drive



> Find a Retailer



> View the Range Guide

Colours, trim and upholstery





> View offers



> Book a test drive



> Find a Retailer



> View the Range Guide

Metallic paints (standard)



183U magnetite black



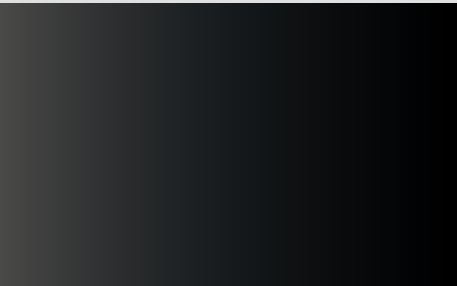
775U iridium silver



988U diamond silver



998U anthracite blue



197U obsidian black



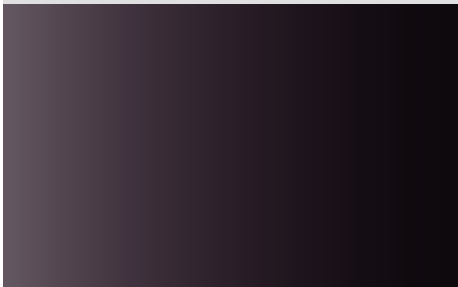
890U cavansite blue



989U emerald green



296 aragonite silver



897U ruby black



992U selenite grey



> View offers



> Book a test drive



> Find a Retailer



> View the Range Guide

designo paints (additional-cost option)

An extra degree of exclusivity is guaranteed with designo's range of paint finishes, which are all available at additional cost.



799 designo diamond white bright

Total incl. VAT £760.00



049 designo cashmere white magno

Total incl. VAT £3,650.00

Trim



729 black poplar wood

AMG Line	●
Mercedes-AMG S 63	●
Mercedes-AMG S 65	○
Basic RRP incl. VAT (£)	no-cost option
excl. VAT (£)	-



H29 brown burr walnut wood

AMG Line	○
Mercedes-AMG S 63	○
Mercedes-AMG S 65	●
Basic RRP incl. VAT (£)	no-cost option
excl. VAT (£)	-



H28 designo open-pore brown ash wood

AMG Line	○	-
Mercedes-AMG S 63	-	○
Mercedes-AMG S 65	-	○
Basic RRP incl. VAT (£)	500.00	850.00
excl. VAT (£)	416.67	708.33

Not in conjunction with multifunction steering wheel in wood/leather (code L2D)



H27 designo open-pore black ash wood

AMG Line	○	-
Mercedes-AMG S 63	-	○
Mercedes-AMG S 65	-	○
Basic RRP incl. VAT (£)	500.00	850.00
excl. VAT (£)	416.67	708.33

Not in conjunction with multifunction steering wheel in wood/leather (code L2D)



H21 designo black piano lacquer

AMG Line	<input type="radio"/>
Mercedes-AMG S 63	<input type="radio"/>
Mercedes-AMG S 65	<input type="radio"/>
Basic RRP incl. VAT (£)	1,230.00
excl. VAT (£)	1,025.00

Only in conjunction with Exclusive Nappa Leather package (code P34)



H16 designo black piano lacquer flowing lines

AMG Line	<input type="radio"/>
Mercedes-AMG S 63	<input type="radio"/>
Mercedes-AMG S 65	no-cost option
Basic RRP incl. VAT (£)	1,960.00
excl. VAT (£)	1,633.33

Only in conjunction with Exclusive Nappa Leather package (code P34)



H10 AMG carbon fibre/black piano lacquer

AMG Line	<input type="radio"/>
Mercedes-AMG S 63	<input type="radio"/>
Mercedes-AMG S 65	<input type="radio"/>
Basic RRP incl. VAT (£)	2,880.00
excl. VAT (£)	2,400.00

Only in conjunction with Exclusive Nappa Leather package (code P34)



> View offers



> Book a test drive



> Find a Retailer



> View the Range Guide

Leather (standard on AMG Line)



201A black



205A silk beige/espresso brown



214A nut brown/black

Nappa leather (optional on AMG Line)¹

Total incl. VAT £1,740.00



801A black



814A nut brown/black



818A magma grey/espresso brown



805A silk beige/espresso brown



815A porcelain/black

¹Included as part of Premium equipment line (code DP0)



> View offers



> Book a test drive



> Find a Retailer



> View the Range Guide

Nappa leather (standard on Mercedes-AMG S 63)



851A black



864A nut brown/black



868A magma grey/espresso brown



855A silk beige/espresso brown



865A porcelain/black



> View offers



> Book a test drive



> Find a Retailer



> View the Range Guide

Exclusive nappa leather (optional on AMG Line)¹

Total incl. VAT £6,890.00



501A black



514A nut brown/black



518A magma grey/espresso brown



505A silk beige/espresso brown



515A porcelain/black



524A mahogany brown/silk beige

¹Included with Exclusive Nappa Leather package (code P34)

Exclusive nappa leather (optional on Mercedes-AMG S 63; standard on Mercedes-AMG S 65)¹

Total incl. VAT £4,790.00



561A black



584A nut brown/black



588A magma grey/espresso brown



565A silk beige/espresso brown



585A porcelain/black



564A mahogany brown/silk beige

¹Included with Exclusive Nappa Leather package (code P34)



Combination options

Leather/nappa leather/Exclusive nappa leather	Metallic paints											designo paints	
	Standard	183U magnetite black	197U obsidian black	296 aragonite silver	775U iridium silver	890U cavansite blue	897U ruby black	988U diamond silver	989U emerald green	992U selenite grey	998U anthracite blue	Additional-cost option	049U designo cashmere white magno
black	●	●	●	●	●	●	●	●	●	●		●	●
silk beige/espresso brown	●	●	●	○	●	●	△	●	○	●		●	●
nut brown/black	●	●	●	●	●	△	●	●	●	●		●	●
porcelain/black	●	●	●	○	●	●	○	●	●	●		●	●
magma grey/espresso brown	●	●	●	●	●	●	●	○	●	●		●	●
mahogany brown/silk beige	●	●	●	●	●	△	●	●	●	●		●	●

● Recommended ○ Possible △ Not recommended Please note that, owing to limitations of on-screen representation, paint colours may differ from those shown

Technical data

Model	Diesel engines		Petrol hybrid	Petrol engines			
	S 350 d/S 350 d L	S 400 d L	S 560 e L EQ Power	S 450 L	S 500 L	Mercedes-AMG S 63 L	Mercedes-AMG S 65 L

Engine								
Total displacement	cc	2,925	2,925	2,996	2,999	2,999	3,982	5,980
Arrangement/cylinders/valves		in-line/6/24	in-line/6/24	V/6/24	in-line/6/24	in-line/6/24	V/8/32	V/12/36
Power ¹	hp (kW) at rpm							
	Combustion engine	286 (210)/ 3,400–4,600	340 (250)/ 3,600–4,400	367 (270)/ 5,500–6,000	367 (270)/ 5,500–6,100	435 (320)/ 5,900–6,100	612 (450)/ 5,500–6,000	630 (463)/ 4,800–5,400
	EQ Boost/EQ Power (S 560 e L)	–	–	122 (90)/–	22 (16)/900	22 (16)/900	–	–
Torque ¹	Nm at rpm							
	Combustion engine	600/1,200–3,200	700/1,200–3,200	520/2,000–4,200	500/1,600–4,000	520/1,800–5,500	900/2,750–4,500	1,000/2,300–4,300
	EQ Boost/EQ Power (S 560 e L)	–	–	440/500	250/500	250/500	–	–
Compression ratio		15.5:1	15.5:1	10.5:1	10.5:1	10.5:1	8.6:1	9.0:1
Power consumption, weighted	(kWh/100 km)	–	–	20.0	–	–	–	–
Electric range (miles)		–	–	31.0	–	–	–	–
Capacity on-board charger (kW)		–	–	7.2	–	–	–	–

Transmission								
9G-TRONIC PLUS 9-speed automatic		●	●	●	●	●	–	–
AMG SPEEDSHIFT MCT 9-speed automatic sports transmission		–	–	–	–	–	●	–
AMG SPEEDSHIFT PLUS 7G-TRONIC 7-speed automatic		–	–	–	–	–	–	●

Model	Diesel engines		Petrol hybrid	Petrol engines			
	S 350 d/S 350 d L	S 400 d L	S 560 e L EQ Power	S 450 L	S 500 L	Mercedes-AMG S 63 L	Mercedes-AMG S 65 L

Performance

Acceleration 0–62 mph	sec	6.0/6.0	5.4	5.0	5.1	4.8	4.3	4.2
Top speed	mph	155 ²	155 ²	155 ²	155 ²	155 ²	155 ²	155 ²

Weights and capacities

Kerb weight ³	kg	1,970/1,990	2,025	2,215	2,015	2,025	2,045	2,250
Perm. Gross Vehicle Weight	kg	2,690/2,720	2,740	2,825	2,700	2,695	2,715	2,750
Boot capacity	l	510	510	395	530	530	510	470
Fuel tank capacity/of which reserve	l	70/8	70/8	70/8	70/8	70/8	70/10	80/12
Turning circle	m	11.9/12.3	12.3	12.3	12.3	12.3	12.34	12.3

Fuel consumption^{4,5,6} mpg

Urban		37.2/37.2	37.2	–	28.8	28.8	20.5	14.2
Extra-urban ⁷		55.4/55.4	55.4	–	47.1	47.1	35.3	25.9
Combined		47.1/47.1	47.1	112.9	38.2	38.2	27.7	19.9

²Electronically limited

³Figures according to Directive 92/21/EC (kerb weight with fuel tank 90% full, driver, 68 kg, and luggage, 7 kg) for standard-specification vehicles. Optional extras and accessories will generally increase this figure and reduce the payload capacity accordingly

⁴All figures are based on a standard specification with the smallest tyre size ⁵The choice of wheels may affect CO₂ emissions and corresponding Road Fund Licence

⁶The indicated values were determined according to the prescribed measurement method. These are the 'NEDC CO₂ values' according to Worldwide Harmonised Light Vehicle Test Procedure (WLTP). For more information on these values and how they have been calculated please see www.mercedes-benz.co.uk/WLTP
⁷EUDC: extra-urban driving cycle. Testing procedures adhere to EU Directive 93/116

Model	Diesel engines		Petrol hybrid	Petrol engines			
	S 350 d/S 350 d L	S 400 d L	S 560 e L EQ Power	S 450 L	S 500 L	Mercedes-AMG S 63 L	Mercedes-AMG S 65 L

CO₂ emissions^{5,6} g/km

Emissions standard	EU6 d-TEMP	EU6 d-TEMP	EU6 d-TEMP	EU6 d-TEMP	EU6 d-TEMP	EU6 d-TEMP	EU6 d-TEMP
19" alloy wheels – code 793	158/158	158	57	169	169	–	–
20" alloy wheels – code 769	160/160	160	59	171	171	–	–
20" alloy wheels – code RRM	160/160	160	59	171	171	–	–
20" alloy wheels – code 647	–/–	–	–	–	–	231	
20" alloy wheels – code 696	–/–	–	–	–	–	–	325
20" alloy wheels – code RTR	–/–	–	–	–	–	231	325
20" alloy wheels – code RTS	–/–	–	–	–	–	231	325

Insurance

Group rating	47E	50E	49E	49E	50E	50E	50E
Incl. Premium/Premium Plus	48E	50E	49E	49E ⁸	50E	–	–
Incl. Executive/Premium/Premium Plus	49E	50E	49E	50E	50E	50E	–

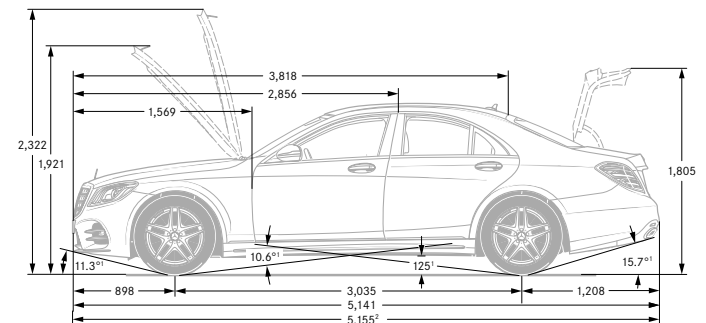
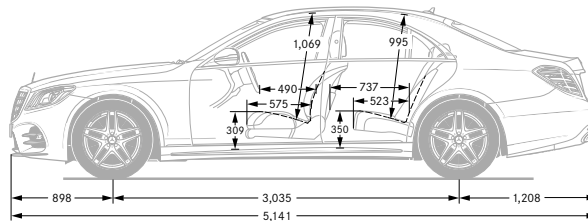
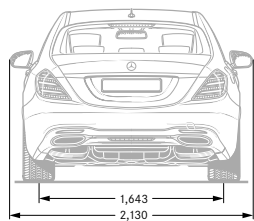
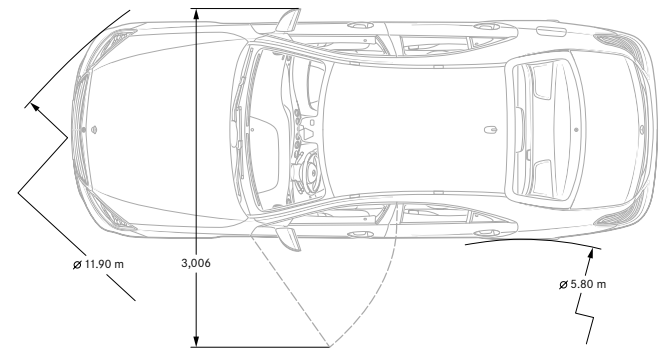
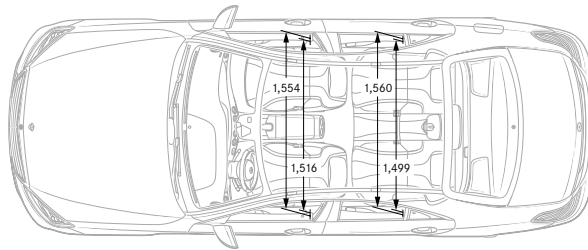
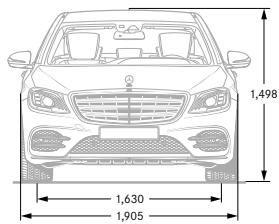
Insurance ratings may vary depending on model line and specification. Please refer to <http://www.thatcham.org/abigrouprating/> for further details

⁵The choice of wheels may affect CO₂ emissions and corresponding Road Fund Licence

⁶The indicated values were determined according to the prescribed measurement method. These are the 'NEDC CO₂ values' according to Worldwide Harmonised Light Vehicle Test Procedure (WLTP). For more information on these values and how they have been calculated please see www.mercedes-benz.co.uk/WLTP

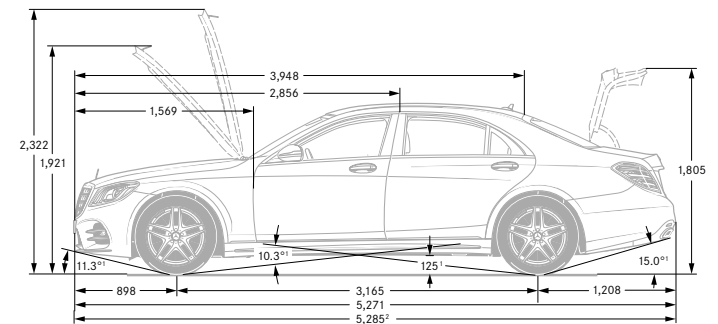
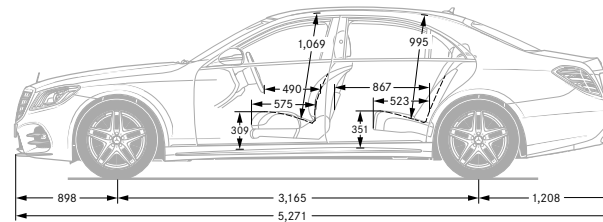
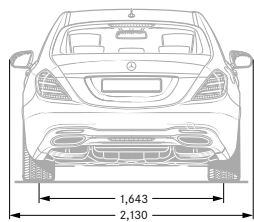
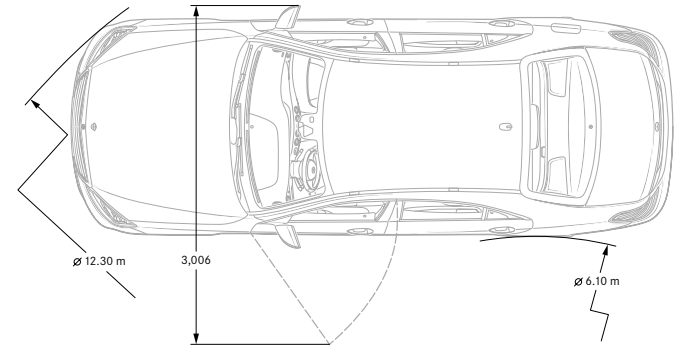
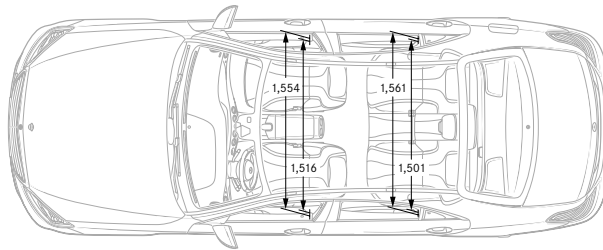
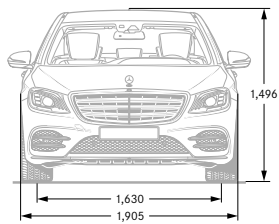
⁸Applies only to AMG Line Premium equipment line. Premium Plus equipment line rating is 50E

S-Class AMG Line

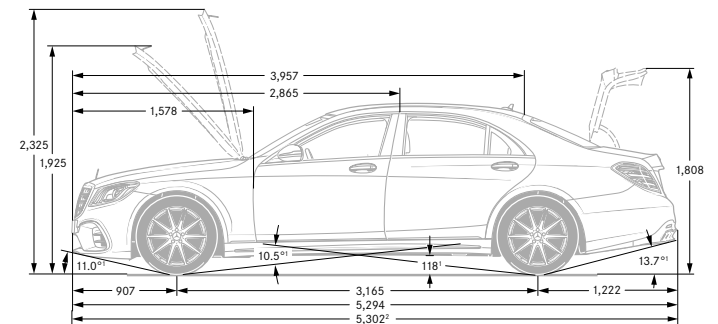
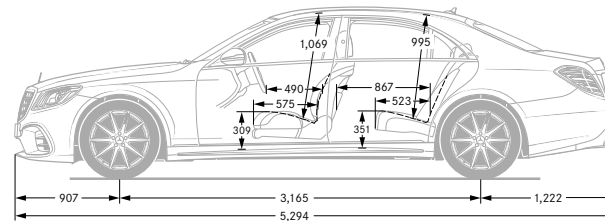
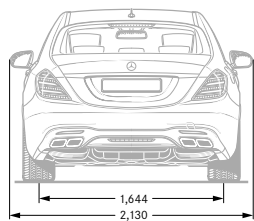
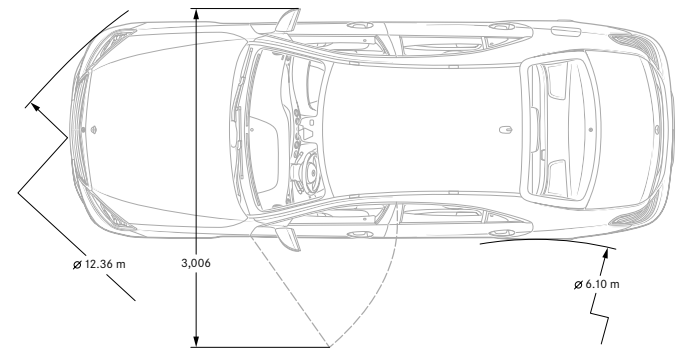
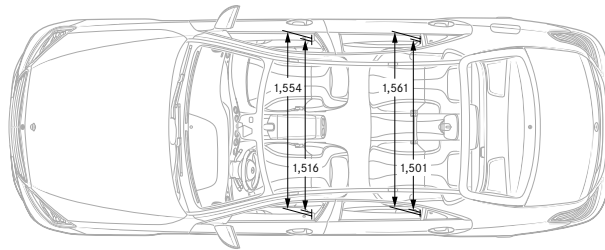
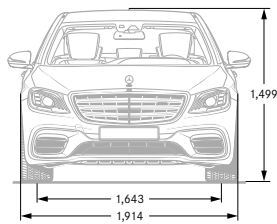


All measurements in millimetres. The dimensions shown are mean values and apply to standard-specification, unladen vehicles.

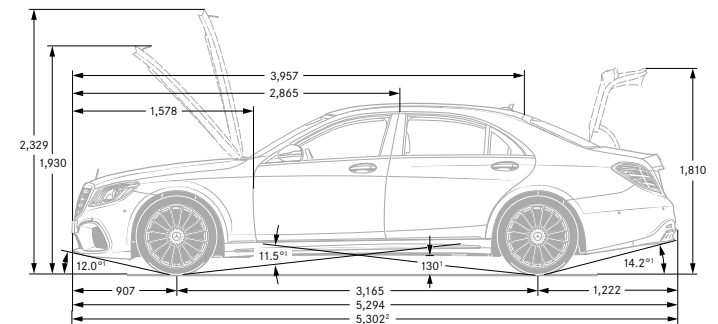
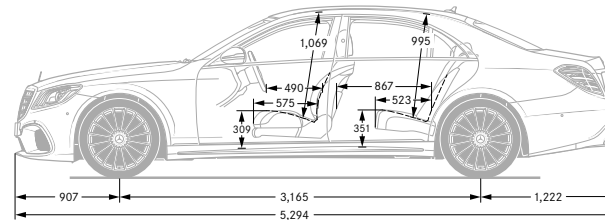
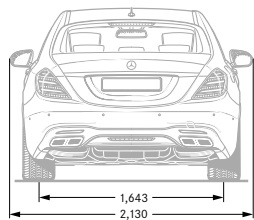
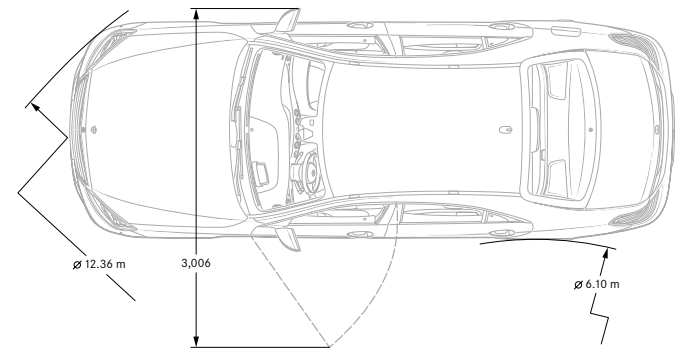
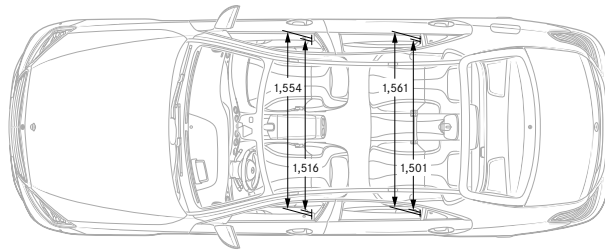
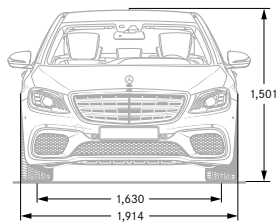
S-Class AMG Line L



Mercedes-AMG S 63 L



Mercedes-AMG S 65 L



All measurements in millimetres. The dimensions shown are mean values and apply to standard-specification, unladen vehicles. The figures on pages 69–75 are correct at time of publication

Road Fund Licence



All road vehicle registrations are subject to Vehicle Excise Duty (Road Fund Licence), which varies in accordance with the vehicle's CO₂ emissions. A first year rate for each taxation band will apply. The table below shows the bands (A–M) created by the DVLA and the corresponding Road Fund Licence. CO₂ emissions are listed in the technical data on page 71, and the relevant Excise Duty is reflected in the on-the-road prices on page 9.

Band	CO ₂ emissions	First year rate (£) ¹	First year rate diesel (£) ^{1,2}	Standard rate (£)	Premium rate (£) ³
A	0 g/km	0.00	0.00	0.00	310.00
B	1 to 50 g/km	10.00	25.00	140.00	450.00
C	51 to 75 g/km	25.00	105.00	140.00	450.00
D	76 to 90 g/km	105.00	125.00	140.00	450.00
E	91 to 100 g/km	125.00	145.00	140.00	450.00
F	101 to 110 g/km	145.00	165.00	140.00	450.00
G	111 to 130 g/km	165.00	205.00	140.00	450.00
H	131 to 150 g/km	205.00	515.00	140.00	450.00
I	151 to 170 g/km	515.00	830.00	140.00	450.00
J	171 to 190 g/km	830.00	1,240.00	140.00	450.00
K	191 to 225 g/km	1,240.00	1,760.00	140.00	450.00
L	226 to 255 g/km	1,760.00	2,070.00	140.00	450.00
M	over 255 g/km	2,070.00	2,070.00	140.00	450.00

¹ Alternative fuel vehicles receive a £10 reduction on vehicle tax rates

² Applies to all Mercedes-Benz diesel models which do not comply with Real Driving Emissions step 2 (RDE2)

³ Premium rate only applicable to vehicles where the list price is over £40,000 including any factory-fitted options, standard UK delivery charge, number plates, fuel and VAT

Services and insurance

Mercedes-Benz ServiceCare

We believe that servicing costs should be as flexible and affordable as possible for your S-Class, which is why we offer ServiceCare, an easy way to budget for all your servicing costs. It spreads your bills into manageable payments based on whether you have a new or used Mercedes-Benz.

With ServiceCare we guarantee the price of parts and labour for up to four services and safeguard against any further inflation. It also covers the cost of all recommended service items including brake fluid, spark plugs, air filters, fuel filters and screen wash.

You can choose either to add your servicing costs into your monthly spend or pay the full amount in a one-off payment, giving you peace of mind that they are taken care of for the period of the plan.

To receive a personalised ServiceCare plan recommendation visit the ServiceCare Calculator at servicecarerates.mercedes-benz.co.uk

Warranty and breakdown cover

Every Mercedes-Benz comes with a three-year unlimited mileage warranty against manufacturing or material defects¹ and up to 30 years warranty against perforation due to corrosion from the inside out.² What's more, it's also covered by Mercedes-Benz Roadside Assistance – a unique package comprising up to 30 years pan-European breakdown assistance.²

Insurance

Since our name is synonymous with reliability, who better to trust with your motor insurance? Mercedes-Benz Insurance provides a motor insurance policy specifically designed to give you the cover you would expect from Mercedes-Benz. For a motor insurance quotation, call **0345 600 2180**.*

Mercedes me connect

Mercedes me connect enables you to connect to your car via desktop, tablet or smartphone via an app. It provides access to services that enhance your Mercedes-Benz experience and fit effortlessly into your daily digital routine.¹

Standard Services.

Available on all models, except G-Class.

- **Emergency Call** – if there's an accident, this feature automatically shares your vehicle location and status for a fast response from the emergency services
- **Accident & Breakdown Management** – contact our Customer Assistance Centre with a single button for fast breakdown recovery
- **Telediagnosics** – automatically detects and shares details of any vehicle wear and tear with you, and shares the data with your Retailer
- **Maintenance Management** – reminds you when your service is due and automatically shares maintenance data with your Retailer
- **Parking Time Assist** – track the time on your parking meter and receive an alert when it's due to expire



78

Vehicle Setup.

These services come as standard if you have COMAND Online. Available as an optional £69 upgrade for all other customers.

- **Personal Profile** – store your preferences, such as your favourite radio stations and apps, to create your personal driver profile
- **Maintenance (Vehicle Status)** – check safety information, such as coolant level and brake pad condition, so you can be sure your car is safe and ready to drive
- **Remote Door Unlock** – lock and unlock your car remotely, wherever you are in the world
- **Send to Car Function** – search for destinations on your smartphone, tablet or desktop, then send the routes direct to your car for navigation

¹Currently unavailable in the Channel Islands and the Isle of Man

Remote Online Services.

Standard on all models with COMAND Online, except for new E-Class. Available to purchase for an additional £150.00 (incl. VAT) for all models without COMAND Online.

- **Trip information and vehicle status** – access the vehicle's trip data such as fuel level, mileage, condition of brake pads and tyre pressure
- **Remote door locking and unlocking** – lock and unlock your car remotely, wherever you are in the world
- **Geofencing** – set up a geographical boundary and receive alerts whenever your car enters or leaves this area
- **Parked Vehicle Locator** – locate your parked vehicle within a range of one mile and plot a route back to it
- **Vehicle Tracker** – track the location of your car anywhere in the world

Additional services for Plug-In Hybrid and electric models only, as part of Remote Online services:

- **Pre-entry climate control** – activate the pre-entry climate control system of your parked vehicle and set the temperature to your liking before boarding
- **Route planning** – displays the electric operating range on a map and enables you to plan a route while stopping at public charging stations
- **Charging points** – displays a list of the nearest public charging stations
- **Charging profile** – control the charging settings from a distance so your vehicle can be ready charged when you need it

Vehicle Monitoring.

Standard with COMAND Online for all models, except the new E-Class. Available to purchase for new E-Class and all other customers as an additional £69 upgrade.

- **Geo-fencing** – set up a geographical boundary and receive alerts whenever your car enters or leaves this area
- **Parked Vehicle Locator** – locate your parked car when within 1 mile and plot a route back to it
- **Vehicle Tracker** – track the location of your car anywhere in the world

Visit the Mercedes me connect store for more information:

shop.mercedes-benz.com/en-gb/connect

Mercedes-Benz Finance

Why should you finance with Mercedes-Benz?

At Mercedes-Benz we believe a great driving experience should be matched by an equally great ownership experience. That is why we put just as much thought, time and effort into designing our finance options, our service plans and our insurance cover as we do into our vehicles.

We are not in the business of simply providing a loan to fund the purchase of your dream vehicle. We look on it as a journey that we take with you, from the moment you choose your new Mercedes-Benz, to helping you in choosing your next one.

If you would like to find out more about any of our current offers, simply call into your local Mercedes-Benz Retailer where one of our Business Managers will be more than happy to talk you through anything you need to know.

Helping you find the right solution.

You should find our finance packages are more convenient than a traditional personal loan because:

- Funds are immediately available – no waiting for cheques or loans to clear.
- There is no security required – either against your home or other assets.
- We have clear and transparent rates – the APR we quote is the APR you get.
- We have friendly Business Managers – experts in vehicle finance who can talk you through all of your plans in detail.

One of our most popular finance products is Mercedes-Benz Agility (our Personal Contract Purchase product). We also offer Contract Hire, Operating Lease and Hire Purchase solutions. If you would like to find out more about these speak to your Retailer or visit www.mercedes-benz.co.uk/fandi.

Mercedes-Benz Agility (our PCP product).

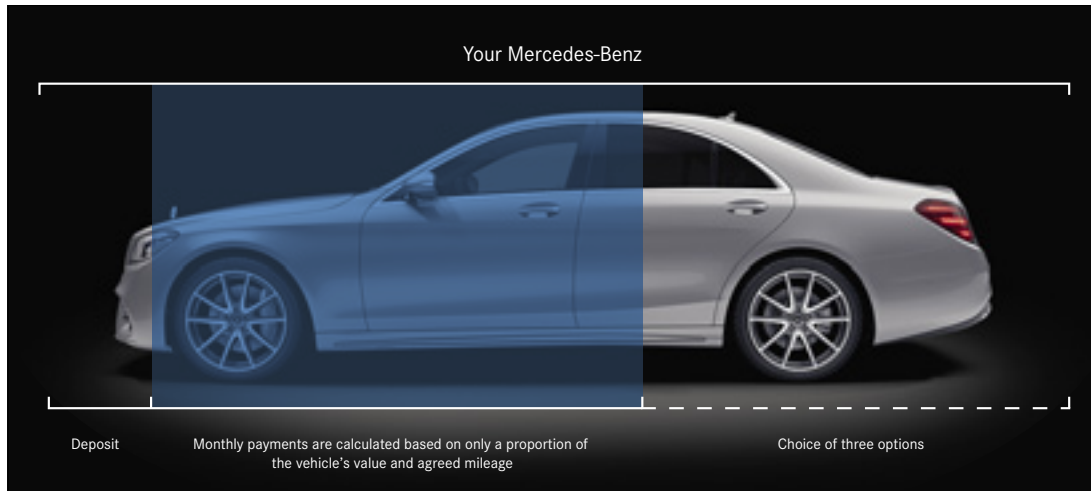
At the start of an Agility agreement, you put down a deposit and decide the term of your agreement and your annual mileage. You will be advised of the Guaranteed Future Value, which offers you the reassurance of knowing exactly what you will need to pay to own the vehicle outright in the future (this is known as the Optional Purchase Payment).

Throughout your agreement you simply pay your agreed monthly payments and when the agreement comes to an end you either purchase, hand back or part-exchange your vehicle.



Agility features:

- Fixed regular payments mean you can easily budget.
- Payments are based only on a proportion of the vehicle's value, keeping your monthly payments lower.
- Our Guaranteed Future Value avoids the risk of unplanned depreciation of your vehicle.
- You defer your ownership decision until the end of the agreement.



At the end of your agreement you have three options to choose from.

Option 1: Purchase your Mercedes-Benz.

Purchase your Mercedes-Benz by paying the Optional Purchase Payment and Purchase Activation Fee.¹ This will complete the purchase of your Mercedes-Benz, leaving you free to simply enjoy your vehicle.

Option 2: Hand back your Mercedes-Benz.


If you decide to return your vehicle to us, it must be in line with our Vehicle Return Standards,^{*} as vehicle condition, excess mileage and other charges may be payable.


Option 3: Part-Exchange for a new vehicle.


Purchase your Mercedes-Benz by paying the Optional Purchase Payment and Purchase Activation Fee.¹ This will complete the purchase of your Mercedes-Benz, leaving you free to part-exchange for a new vehicle.

¹Please note the 'Purchase Activation Fee' of £10 will be debited from your account *To find out more information about our Vehicle Return Standards please visit <http://mercedes-benz.co.uk/vrs>


 > View offers


 > Book a test drive

 > Find a Retailer


 > View the Range Guide

Follow us on the following social media channels:

 facebook.com/mercedesbenzuk

 twitter.com/mercedesbenzuk

 youtube.com/mercedesbenzuk

 instagram.com/mercedesbenzuk

Effective from 1 December 2018 Production. Information correct at time of publication.

Prices and specifications are subject to change without prior notice.

MBWV222PL/1018

Mercedes-Benz Cars UK Limited, Tongwell, Milton Keynes, MK15 8BA. Company number 2448457 www.mercedes-benz.co.uk