



The Mercedes-Benz Vito.

Model information & price list.

Prices effective from January 2019.

Mercedes-Benz

Vans. Born to run.





Contents

> Keeping businesses moving	3
> Delivering our promise	4
> New Vito range	5
> Choose your Vito	
Model	6
Engine and payload	7
Trim	8
Colours and trim	12
Wheels	13
Engine & gearbox	14
> Fuel consumption	15
> Weight & payloads	19
> Dimensions	22
> List prices	24
> Optional equipment	30
> Finance options	34
> After care	36

Please note

This document provides information about the model range line-up and specifications of the Vito. It also contains key details about options, economy and performance of all variants. Details are correct at time of publication and are subject to revision. Any images used in this document may not reflect UK specification and are for illustrative purposes only. Images may show optional equipment which does not form part of UK standard specification.

Mercedes-Benz Vans. Keeping businesses moving.

The most driven businesses drive Mercedes-Benz vans.
Why? Because we keep them moving...

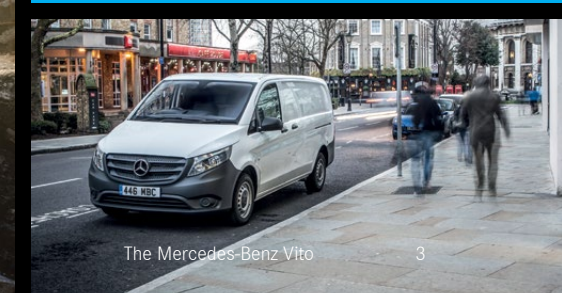
From delivery firms to dog walkers, supermarkets to safety engineers, paramedics to photographers, and international couriers to local chefs, the people we support are hardworking, self-assured, forward-looking, and hardwired to succeed. And they all share a desire to keep moving.

That's why we continue to make sure our vans are among the most reliable, technically advanced vehicles on the road, and we go further to support our customers' businesses and maximise vehicle uptime.

We're your business partner, not your vehicle supplier. We're with you all the way. And we won't stop, because we know you can't afford to.



"The Vito comes with a reassuring complement of safety features and drives very nicely. Our engineers particularly like the automatic gearbox, which makes life at the wheel a bit less stressful for them."
Peter Marsh, Managing Director, Girbau UK



The Mercedes-Benz Vito

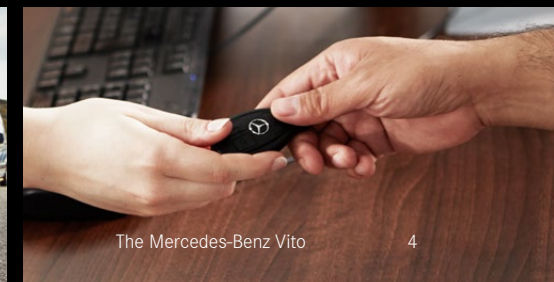
Keeping businesses moving	Delivering our promise	New Vito range	Choose your Vito: Model	Choose your Vito: Engine	Choose your Vito: Trim	Choose your Vito: Colours & trim	Choose your Vito: Wheels	Choose your Vito: Engine & gearbox	Fuel consumption	Weight & payloads	Dimensions	List prices	Optional equipment	Finance options	After care
---------------------------	------------------------	----------------	-------------------------	--------------------------	------------------------	----------------------------------	--------------------------	------------------------------------	------------------	-------------------	------------	-------------	--------------------	-----------------	------------

Delivering on our promise to keep you moving.

- **Industry-leading quality** – We keep innovation moving. Mercedes-Benz vans have won numerous safety awards – and we invest £4.63bn in R&D each year to make sure we continue to lead the field in safety.
- **Flexible, accessible finance** – We keep your cash flow moving. Mercedes-Benz Finance says ‘yes’ to 99%* of credit applications, freeing up your business’s credit lines.
- **Quality assured Approved Used vans** – We keep all businesses moving. Our Approved Used vans remove all barriers to Mercedes-Benz quality without compromising on our exacting standards.
- **Free roadside assistance** – Every single Mercedes-Benz van comes with a lifetime promise to keep you moving, no matter what: MobiloVan – free dedicated roadside assistance for 30 years†.
- **24/7 servicing** – We keep your working day moving. Over a third of our Dealer Network works through the night to service and maintain our customers’ vans, so they’re out on the road during the day, earning their keep.

*Mercedes-Benz Financial Services 2016 data.

†Terms and conditions apply – please visit mbvans.co.uk/mobilovan.



The Mercedes-Benz Vito

4

Keeping businesses moving

Delivering our promise

New Vito range

Choose your Vito: Model

Choose your Vito: Engine

Choose your Vito: Trim

Choose your Vito: Colours & trim

Choose your Vito: Wheels

Choose your Vito: Engine & gearbox

Fuel consumption

Weight & payloads

Dimensions

List prices

Optional equipment

Finance options

After care

The Mercedes-Benz Vito Range.

One versatile van. Three new trims.

Raise your game with the versatile Mercedes-Benz Vito. With three trims - PURE, PROGRESSIVE & PREMIUM - it's easier than ever to specify the features and functionality your business needs. In addition to class-leading whole of life costs and free 24/7 MobiloVan roadside assistance*, it's got everything you need to keep your business moving.

A Vito to suit every business.

Flexible, adaptable and ready for any challenge. As well as three new Vito trims to choose from, there are also Panel and Crew Van body styles available in each trim. And as of 2019, there will be a Sport version too. It means you'll find a Vito to suit every requirement imaginable - at a price that's right for your business.

*Terms and conditions apply - please visit mbvans.co.uk/mobilovan.

Don't let anything hold your business back.

A wealth of innovations and safety features as standard coupled with incredible versatility: the Mercedes-Benz Vito is so much more than a mid-size van. There's a choice of three lengths, front or rear-wheel drive, a wide variety of seating options, and a selection of engines providing class-leading levels of consumption and efficiency.

Let us help you find a Vito that works for you...



The Mercedes-Benz Vito

Keeping businesses moving	Delivering our promise	New Vito range	Choose your Vito: Model	Choose your Vito: Engine	Choose your Vito: Trim	Choose your Vito: Colours & trim	Choose your Vito: Wheels	Choose your Vito: Engine & gearbox	Fuel consumption	Weight & payloads	Dimensions	List prices	Optional equipment	Finance options	After care
---------------------------	------------------------	----------------	-------------------------	--------------------------	------------------------	----------------------------------	--------------------------	------------------------------------	------------------	-------------------	------------	-------------	--------------------	-----------------	------------

Choose your Vito.

Step 1: Which model works for you?

Vito Crew Van

Room to grow your business

If you're looking for space, the Vito Crew Van is the ultimate in hardworking versatility. Three vehicle lengths, a huge load compartment and incredibly spacious passenger compartments mean whether you need to transport goods, people or both, the Vito has it covered – economically, reliably and professionally.

Vito Panel Van

Built to work hard for your business

The Vito Panel Van's incredible versatility and easy loading capabilities support businesses of all shapes and sizes. With three lengths to choose from there's a Vito Panel Van to carry your cargo, no matter what the requirement. Plus there's a wide range of options to enhance your driving experience, security and safety, too.

How to select your van

1. **Start by considering if you need to transport passengers, cargo – or both.** This will help you decide whether to choose a Crew Van or Panel Van. Think about the number of seats you need and consider the maximum length and height of your load.
2. On the next page, you'll see **payload ranges and engine sizes.** So, think about the heaviest load you need to carry and power you might need.
3. From the choice available, then decide **which trim is right for you.** PURE, PROGRESSIVE or PREMIUM.
4. Choose a **colour and paint type** – standard or metallic – and select an upholstery trim that best meets your needs.
5. Finally, you can choose to **upgrade your wheels** if you like – then check that all the other technical information is right for you, and take a look at the price list to discover which options are available.

Vehicle Exterior Dimensions

L1

Vehicle Length (mm): 4895

Vehicle Width (mm): 2249**

Vehicle Height: 1910



L2

Vehicle Length (mm): 5140

Vehicle Width (mm): 2249**

Vehicle Height: 1910



L3

Vehicle Length (mm): 5370

Vehicle Width (mm): 2249**

Vehicle Height: 1910



**including wing mirrors

Choose your Vito.

Step 2: Engine and payload

What cargo do you tend to carry most? What's the heaviest load you need to carry?
How much power do you need? Take a look at the dimensions below to see which van might best suit your requirements.

Vehicle Exterior Dimensions



Category		Transmission	PURE	PROGRESSIVE	PREMIUM	Gross Vehicle Weight (kg)	Max Payload (kg)*	Fuel economy, extra-urban (L/100Km)
Panel Van	109CDI	Manual	●	●	-	2,800	Up to 870 (L1 PURE)	Please note that GVW (and therefore payload) can be increased using the following option codes: XA6 - weight variant 3,050kg (available with all engines) XA5 - weight variant 3,200kg (114, 116, 119 only)
	111CDI	Manual	●	●	-	2,800	Up to 870 (L1 PURE)	
	114CDI	Manual / Automatic	●	●	●	2,800	Up to 771 (L1 PURE)	
	116CDI	Manual / Automatic	-	●	●	2,800	Up to 736 (L1 PROGRESSIVE)	
	119CDI	Automatic	-	-	●	2,800	Up to 677 (L1 PREMIUM)	
Crew Van	109CDI	Manual	●	●	-	3,050	up to 970 (L1 PURE)	Please note that GVW (and therefore payload) can be increased using the following option codes: XA5 - weight variant 3,200kg (114, 116, 119 only)
	111CDI	Manual	●	●	-	3,050	up to 970 (L1 PURE)	
	114CDI	Manual / Automatic	●	●	●	3,050	up to 967 (L1 PROGRESSIVE)	
	116CDI	Automatic	-	●	●	3,050	up to 839 (L1 PROGRESSIVE)	
	119CDI	Automatic	-	-	●	3,050	up to 810 (L1 PREMIUM)	

● Standard ○ Optional - Not available

*Highest achievable payload shown - adding options, stepping up trim lines, and adding automatic transmission will all decrease payload.

The Mercedes-Benz Vito

7

Choose your Vito.

Step 3: Which trim is right for you?

PURE

The PURE trimline is all about keeping your business moving in safety and comfort, with enhanced driver support highlights including Active Parking Assist, Headlight Assist, and heated electrically adjustable mirrors.

Interior features

- Comfort (eight-way adjustable) driver's seat
- Audio 10 infotainment system
- Headlight Assistant
- Leather steering wheel and gear knob
- Comfort overhead control panel
- Cab lighting
- Double co-driver seat
- Co-driving airbag
- Height and Rake adjustable steering
- Locking glovebox

Exterior features

- Active Parking Assist
- Parking sensors
- Heated, electrically adjustable mirrors
- Heat-insulating glass
- Twin sliding doors
- Shaded glass in rear



Price:
Starting from £24,756*

Option Packs available

*Based on a Vito 109CDI PURE L1 Van.
For full pricing, see page 24.

Choose your Vito.

Step 3: Which trim is right for you?

PROGRESSIVE

The PROGRESSIVE trimline includes all of the features found on the Vito Pure – and builds on the distinctive styling with metallic paint and colour coded bumpers, while features like cruise control, front fog lamps and driver's seat lumbar support improve the driving experience and enhance safety.



Interior features

- Audio 15 infotainment system
- Cruise control
- Driver's seat lumbar support



Exterior features

- Metallic paint
- Colour-coded front & rear bumpers
- Electrically folding exterior mirrors
- Front fog lamps
- 16" steel wheels with full wheel trims



Price:
Starting from £26,760*

Option Packs available

*Based on a Vito 109CDI PROGRESSIVE L1 Van.
For full pricing, see page 24.

Choose your Vito.

Step 3: Which trim is right for you?

PREMIUM

For businesses that mean business – PREMIUM sets the standard for mid-sized vans. All the styling features of PROGRESSIVE with 17" alloy wheels and a chrome radiator grille, plus a reversing camera and parking package to make light work of tight spots, and enhanced security features for added peace of mind.



Interior features

- Air conditioning TEMPMATIC
- Anti-theft protection package
- Double lock
- Velour floor mats
- Pre-installation Becker MAP PILOT



Exterior features

- 17" Alloy wheels
- Chrome radiator grille
- Reversing camera



Price:
Starting from £32,628*

Option Packs available

*Based on a Vito 114CDI PREMIUM L1 Van.
For full pricing, see page 24.

Coming soon.

The all new SPORT

Whether you're looking for a practical van that says good things about your business, or one designed to help you get more from an active lifestyle, you're looking in the right place. Offering style, space and performance in abundance, the Vito Sport is coming soon – available in 2019.



Teaser imagery only – final UK specification and configuration will differ from images shown.

Keeping businesses moving

Delivering our promise

New Vito range

Choose your Vito: Model

Choose your Vito: Engine

Choose your Vito: Trim

Choose your Vito: Colours & trim

Choose your Vito: Wheels

Choose your Vito: Engine & gearbox

Fuel consumption

Weight & payloads

Dimensions

List prices

Optional equipment

Finance options

After care

Choose your Vito.

Step 4: Colours and trim

Make a statement with your Vito. A wide range of paints and finishes provide an ideal backdrop to your business's promotional livery, while the rugged, stylish black upholstery is comfortable and easy to clean. Take a look at the paint and colour options available – including standard and metallic finishes – and select a trim material that best suits your needs.

Interior trim



Seats in black Tunja

The attractive seat covers in black Tunja fabric are extremely wear-resistant and breathable.



Man-made leather seats

The seats in black man-made leather are moisture-repellent and easy to clean.

Standard paints



Arctic white



Pebble grey



Jupiter red



Navy blue



Granite green

Metallic paints



Rock crystal white



Brilliant silver



Flint grey



Obsidian



Dolomite



Cavansite blue

Choose your Vito.

Step 5: Wheels

Our wide range of wheels mean you can finish off your Vito in style. Our designs combine functionality with flair to give your chosen model a look that's distinctively Mercedes-Benz.

1. 16" light-alloy wheels with a 5-twin-spoke design
Not available for 119CDI models
2. 17" light-alloy wheels with a multi-spoke design
3. 17" light-alloy wheels with a 5-spoke design
4. 18" light-alloy wheels with a 10-twin-spoke design
Only available for Panel Vans with 2.8T GVW



Engine and gearbox

Engine specifications	109CDI	111CDI	114CDI	116CDI	119CDI
Fuel	Diesel				
Mixture preparation/ injection method	Common-rail direct injection, 1,600bar max. injection pressure				
Cylinder arrangement	4, in-line				
Cubic capacity	1,598cc		2,143cc		
Turbocharger	Turbocharger with variable nozzle turbine (VNT)		Two-stage turbocharger with variable turbine geometry		
EU exhaust emission standard	Euro 6				
Output, max.	88hp	114hp	136hp	163hp	190hp
	65kW	84kW	100kW	120kW	140kW
	89PS	115PS	137PS	165PS	192PS
	@ 3,800rpm	@ 3,800rpm	@ 3,800rpm	@ 3,800rpm	@ 3,800rpm
Torque, max.	230Nm @ 1,500-2,000rpm	270Nm @ 1,500-2,500rpm	330Nm @ 1,200-2,400rpm	380Nm @ 1,400-2,400rpm	440Nm @ 1,400-2,600rpm
	57L (70L with option KB5 - fuel tank, large)				
Fuel tank capacity	57L (70L with option KB5 - fuel tank, large)				
AdBlue® capacity	11.5L (25L with option KP4 - AdBlue tank, large)				
Diesel Particulate Filter [DPF]	-	-	●	●	●
6-speed manual gearbox	●	●	●	● Panel Van	-
7G-TRONIC automatic gearbox	-	-	○	○ Panel Van ● Crew Van	●
Driven Axle	Front		Rear		
Alternator	14V / 185A		14V / 200A with Alternator Management (battery charged during braking and overrun)		
Battery	12V / 74Ah (Wet)		12V / 95Ah (AGM)		

● Standard ○ Optional - Not available

The Mercedes-Benz Vito

14

Fuel consumption, performance and CO₂ emissions

Panel Van

Category	Model	CO ₂ emissions (g/km)	Fuel consumption, urban (mpg)	Fuel consumption, extra-urban (mpg)	Fuel consumption, combined (mpg)	Fuel consumption, urban (L/100Km)	Fuel consumption, extra-urban (L/100Km)	Fuel consumption, combined (L/100Km)	Top speed (mph)	Gross Vehicle Weight (kg)	Payload (kg)	Gross Train Weight (kg)
PURE	109 Van L1	164	36.2	52.3	44.8	7.8	5.4	6.3	124	2,800	870	4,000
	111 Van L1	164	36.2	52.3	44.8	7.8	5.4	6.3	124	2,800	870	4,800
	114 Van L1	171	33.6	52.3	43.5	8.4	5.4	6.5	121	2,800	771	4,800
	114 Van L1 AUTO	163	38.7	49.6	45.6	7.3	5.7	6.2	120	2,800	743	4,800
	109 Van L2	164	36.2	52.3	44.8	7.8	5.4	6.3	124	2,800	843	4,000
	111 Van L2	164	36.2	52.3	44.8	7.8	5.4	6.3	124	2,800	843	4,800
	114 Van L2	171	33.6	52.3	43.5	8.4	5.4	6.5	121	2,800	744	4,800
	114 Van L2 AUTO	163	38.7	49.6	45.6	7.3	5.7	6.2	120	2,800	716	4,800
	109 Van L3	169	35.3	50.4	43.5	8	5.6	6.5	124	2,800	808	4,000
	111 Van L3	169	35.3	50.4	43.5	8	5.6	6.5	124	2,800	808	4,800
	114 Van L3	174	33.2	51.4	42.8	8.5	5.5	6.6	121	2,800	709	4,800
PROGRESSIVE	114 Van L3 AUTO	169	37.7	47.9	44.1	7.5	5.9	6.4	120	2,800	681	4,800
	109 Van L1	164	36.2	52.3	44.8	7.8	5.4	6.3	124	2,800	867	4,000
	111 Van L1	164	36.2	52.3	44.8	7.8	5.4	6.3	124	2,800	867	4,800
	114 Van L1	171	33.6	52.3	43.5	8.4	5.4	6.5	121	2,800	767	4,800
	114 Van L1 AUTO	163	38.7	49.6	45.6	7.3	5.7	6.2	120	2,800	740	4,800
	116 Van L1	161	36.2	55.4	46.3	7.8	5.1	6.1	131	2,800	762	4,800
	116 Van L1 AUTO	161	39.2	50.4	46.3	7.2	5.6	6.1	136	2,800	735	4,800
	109 Van L2	164	36.2	52.3	44.8	7.8	5.4	6.3	124	2,800	840	4,000
	111 Van L2	164	36.2	52.3	44.8	7.8	5.4	6.3	124	2,800	840	4,800
	114 Van L2	171	33.6	52.3	43.5	8.4	5.4	6.5	121	2,800	740	4,800
	114 Van L2 AUTO	169	37.7	47.9	44.1	7.5	5.9	6.4	120	2,800	713	4,800
	116 Van L2	161	36.2	55.4	46.3	7.8	5.1	6.1	131	2,800	735	4,800
	116 Van L2 AUTO	166	38.2	49.6	44.8	7.4	5.7	6.3	136	2,800	708	4,800
	109 Van L3	169	35.3	50.4	43.5	8	5.6	6.5	124	2,800	805	4,000
	111 Van L3	169	35.3	50.4	43.5	8	5.6	6.5	124	2,800	805	4,800
114 Van L3	174	33.2	51.4	42.8	8.5	5.5	6.6	121	2,800	705	4,800	
114 Van L3 AUTO	169	37.7	47.9	44.1	7.5	5.9	6.4	120	2,800	678	4,800	
116 Van L3	163	35.8	54.3	45.6	7.9	5.2	6.2	131	2,800	700	4,800	
116 Van L3 AUTO	166	38.2	49.6	44.8	7.4	5.7	6.3	136	2,800	673	4,800	

Official fuel consumption figures for the Mercedes-Benz Vito range in mpg (l/100km): Urban 31.4 - 39.8 (9.0 - 7.1), Extra urban 48.7 - 56.5 (5.8 - 5.0), Combined 41.5 - 47.1 (6.8 - 6.0), Combined CO₂ emissions: 179 - 158 g/km.

The indicated values were determined according to the prescribed measurement method. These are the "NEDC CO₂ values" according to New European Driving Cycle (NEDC). For more information on these values and how they have been calculated please see <http://vanfueldata.dft.gov.uk/Official-EU-regulated-test-data> are provided for comparison purposes and actual performance will depend on driving style, road conditions, chosen optional extras and other non-technical factors.

The Mercedes-Benz Vito

15

Panel Van

Category	Model	CO ₂ emissions (g/km)	Fuel consumption, urban (mpg)	Fuel consumption, extra-urban (mpg)	Fuel consumption, combined (mpg)	Fuel consumption, urban (L/100Km)	Fuel consumption, extra-urban (L/100Km)	Fuel consumption, combined (L/100Km)	Top speed (mph)	Gross Vehicle Weight (kg)	Payload (kg)	Gross Train Weight (kg)
PREMIUM	114 Van L1	171	33.6	52.3	43.5	8.4	5.4	6.5	126	2,800	736	4,800
	114 Van L1 AUTO	169	37.7	47.9	44.1	7.5	5.9	6.4	124	2,800	709	4,800
	116 Van L1	161	36.2	55.4	46.3	7.8	5.1	6.1	133	2,800	736	4,800
	116 Van L1 AUTO	166	38.2	49.6	44.8	7.4	5.7	6.3	138	2,800	709	4,800
	119 Van L1	166	38.2	49.6	44.8	7.4	5.7	6.3	137	2,800	704	4,800
	114 Van L2	174	33.2	51.4	42.8	8.5	5.5	6.6	126	2,800	709	4,800
	114 Van L2 AUTO	169	37.7	47.9	44.1	7.5	5.9	6.4	124	2,800	682	4,800
	116 Van L2	163	35.8	54.3	45.6	7.9	5.2	6.2	133	2,800	709	4,800
	116 Van L2 AUTO	166	38.2	49.6	44.8	7.4	5.7	6.3	138	2,800	682	4,800
	119 Van L2	166	38.2	49.6	44.8	7.4	5.7	6.3	137	2,800	677	4,800
	114 Van L3	174	33.2	51.4	42.8	8.5	5.5	6.6	126	2,800	674	4,800
	114 Van L3 AUTO	169	37.7	47.9	44.1	7.5	5.9	6.4	124	2,800	647	4,800
	116 Van L3	163	35.8	54.3	45.6	7.9	5.2	6.2	133	2,800	674	4,800
	116 Van L3 AUTO	166	38.2	49.6	44.8	7.4	5.7	6.3	138	2,800	647	4,800
119 Van L3	166	38.2	49.6	44.8	7.4	5.7	6.3	137	2,800	642	4,800	

Official fuel consumption figures for the Mercedes-Benz Vito range in mpg (l/100km): Urban 31.4 - 39.8 (9.0 - 7.1), Extra urban 48.7 - 56.5 (5.8 - 5.0), Combined 41.5 - 47.1 (6.8 - 6.0), Combined CO₂ emissions: 179 - 158 g/km. The indicated values were determined according to the prescribed measurement method. These are the "NEDC CO₂ values" according to New European Driving Cycle (NEDC). For more information on these values and how they have been calculated please see <http://vanfueldata.dft.gov.uk/Official EU-regulated test data are provided for comparison purposes and actual performance will depend on driving style, road conditions, chosen optional extras and other non-technical factors.>

Crew Van

Category	Model	CO ₂ emissions (g/km)	Fuel consumption, urban (mpg)	Fuel consumption, extra-urban (mpg)	Fuel consumption, combined (mpg)	Fuel consumption, urban (L/100Km)	Fuel consumption, extra-urban (L/100Km)	Fuel consumption, combined (L/100Km)	Top speed (mph)	Gross Vehicle Weight (kg)	Payload (kg)	Gross Train Weight (kg)
PURE	109 Crew Van L1	172	34.9	49.6	42.8	8.1	5.7	6.6	126	3,050	970	4,050
	111 Crew Van L1	172	34.9	49.6	42.8	8.1	5.7	6.6	126	3,050	970	4,800
	114 Crew Van L1	174	33.2	51.4	42.8	8.5	5.5	6.6	124	3,050	870	5,050
	114 Crew Van L1 AUTO	171	37.2	47.9	43.5	7.6	5.9	6.5	122	3,050	843	5,050
	109 Crew Van L2	172	34.9	49.6	42.8	8.1	5.7	6.6	126	3,050	906	4,050
	111 Crew Van L2	172	34.9	49.6	42.8	8.1	5.7	6.6	126	3,050	906	4,800
	114 Crew Van L2	179	32.1	50.4	41.5	8.8	5.6	6.8	124	3,050	806	5,050
	114 Crew Van L2 AUTO	171	37.2	47.9	43.5	7.6	5.9	6.5	122	3,050	779	5,050
	109 Crew Van L3	172	34.9	49.6	42.8	8.1	5.7	6.6	126	3,050	881	4,050
	111 Crew Van L3	172	34.9	49.6	42.8	8.1	5.7	6.6	126	3,050	881	4,800
	114 Crew Van L3	179	32.1	50.4	41.5	8.8	5.6	6.8	124	3,050	781	5,050
114 Crew Van L3 AUTO	171	37.2	47.9	43.5	7.6	5.9	6.5	122	3,050	754	5,050	
PROGRESSIVE	109 Crew Van L1	172	34.9	49.6	42.8	8.1	5.7	6.6	126	3,050	967	4,050
	111 Crew Van L1	172	34.9	49.6	42.8	8.1	5.7	6.6	126	3,050	967	4,800
	114 Crew Van L1	174	33.2	51.4	42.8	8.5	5.5	6.6	124	3,050	867	5,050
	114 Crew Van L1 AUTO	171	37.2	47.9	43.5	7.6	5.9	6.5	122	3,050	839	5,050
	116 Crew Van L1	169	37.7	48.7	44.1	7.5	5.8	6.4	135	3,050	839	5,050
	109 Crew Van L2	172	34.9	49.6	42.8	8.1	5.7	6.6	126	3,050	903	4,050
	111 Crew Van L2	172	34.9	49.6	42.8	8.1	5.7	6.6	126	3,050	903	4,800
	114 Crew Van L2	179	32.1	50.4	41.5	8.8	5.6	6.8	124	3,050	803	5,050
	114 Crew Van L2 AUTO	171	37.2	47.9	43.5	7.6	5.9	6.5	122	3,050	775	5,050
	116 Crew Van L2	169	37.7	48.7	44.1	7.5	5.8	6.4	135	3,050	775	5,050
	109 Crew Van L3	172	34.9	49.6	42.8	8.1	5.7	6.6	126	3,050	878	4,050
111 Crew Van L3	172	34.9	49.6	42.8	8.1	5.7	6.6	126	3,050	878	4,800	
114 Crew Van L3	179	32.1	50.4	41.5	8.8	5.6	6.8	124	3,050	778	5,050	
114 Crew Van L3 AUTO	171	37.2	47.9	43.5	7.6	5.9	6.5	122	3,050	750	5,050	
116 Crew Van L3	169	37.7	48.7	44.1	7.5	5.8	6.4	135	3,050	750	5,050	

Official fuel consumption figures for the Mercedes-Benz Vito range in mpg (l/100km): Urban 31.4 - 39.8 (9.0 - 7.1), Extra urban 48.7 - 56.5 (5.8 - 5.0), Combined 41.5 - 47.1 (6.8 - 6.0), Combined CO₂ emissions: 179 - 158 g/km. The indicated values were determined according to the prescribed measurement method. These are the "NEDC CO₂ values" according to New European Driving Cycle (NEDC). For more information on these values and how they have been calculated please see <http://vanfueldata.dft.gov.uk/Official-EU-regulated-test-data-are-provided-for-comparison-purposes-and-actual-performance-will-depend-on-driving-style-road-conditions-chosen-optional-extras-and-other-non-technical-factors>.

Crew Van

Category	Model	CO ₂ emissions (g/km)	Fuel consumption, urban (mpg)	Fuel consumption, extra-urban (mpg)	Fuel consumption, combined (mpg)	Fuel consumption, urban (L/100Km)	Fuel consumption, extra-urban (L/100Km)	Fuel consumption, combined (L/100Km)	Top speed (mph)	Gross Vehicle Weight (kg)	Payload (kg)	Gross Train Weight (kg)
PREMIUM	114 Crew Van L1	179	32.1	50.4	41.5	8.8	5.6	6.8	126	3,050	842	5,050
	114 Crew Van L1 AUTO	171	37.2	47.9	43.5	7.6	5.9	6.5	124	3,050	815	5,050
	116 Crew Van L1	169	37.7	48.7	44.1	7.5	5.8	6.4	137	3,050	839	5,050
	119 Crew Van L1	169	37.7	48.7	44.1	7.5	5.8	6.4	137	3,050	810	5,050
	114 Crew Van L2	179	32.1	50.4	41.5	8.8	5.6	6.8	126	3,050	777	5,050
	114 Crew Van L2 AUTO	171	37.2	47.9	43.5	7.6	5.9	6.5	124	3,050	750	5,050
	116 Crew Van L2	169	37.7	48.7	44.1	7.5	5.8	6.4	137	3,050	750	5,050
	119 Crew Van L2	169	37.7	48.7	44.1	7.5	5.8	6.4	137	3,050	745	5,050
	114 Crew Van L3	179	32.1	50.4	41.5	8.8	5.6	6.8	126	3,050	752	5,050
	114 Crew Van L3 AUTO	171	37.2	47.9	43.5	7.6	5.9	6.5	124	3,050	725	5,050
	116 Crew Van L3	169	37.7	48.7	44.1	7.5	5.8	6.4	137	3,050	725	5,050
119 Crew Van L3	169	37.7	48.7	44.1	7.5	5.8	6.4	137	3,050	720	5,050	

Official fuel consumption figures for the Mercedes-Benz Vito range in mpg (l/100km): Urban 31.4 - 39.8 (9.0 - 7.1), Extra urban 48.7 - 56.5 (5.8 - 5.0), Combined 41.5 - 47.1 (6.8 - 6.0), Combined CO₂ emissions: 179 - 158 g/km.

The indicated values were determined according to the prescribed measurement method. These are the "NEDC CO₂ values" according to New European Driving Cycle (NEDC). For more information on these values and how they have been calculated please see <http://vanfueldata.dft.gov.uk/Official EU-regulated test data are provided for comparison purposes and actual performance will depend on driving style, road conditions, chosen optional extras and other non-technical factors.>

Weights and payloads

PURE - Panel Van

Model	Gross vehicle weight (kg)	Payload (kg)	Gross train weight (kg)
109 Van PURE L1	2,800	870	4,000
111 Van PURE L1	2,800	870	4,800
114 Van PURE L1	2,800	771	4,800
114 Van PURE L1 AUTO	2,800	743	4,800
109 Van PURE L2	2,800	843	4,000
111 Van PURE L2	2,800	843	4,800
114 Van PURE L2	2,800	744	4,800
114 Van PURE L2 AUTO	2,800	716	4,800
109 Van PURE L3	2,800	808	4,000
111 Van PURE L3	2,800	808	4,800
114 Van PURE L3	2,800	709	4,800
114 Van PURE L3 AUTO	2,800	681	4,800

PURE - Crew Van

Model	Gross vehicle weight (kg)	Payload (kg)	Gross train weight (kg)
109 Crew Van PURE L1	3,050	970	4,050
111 Crew Van PURE L1	3,050	970	4,800
114 Crew Van PURE L1	3,050	870	5,050
114 Crew Van PURE L1 AUTO	3,050	843	5,050
109 Crew Van PURE L2	3,050	906	4,050
111 Crew Van PURE L2	3,050	906	4,800
114 Crew Van PURE L2	3,050	806	5,050
114 Crew Van PURE L2 AUTO	3,050	779	5,050
109 Crew Van PURE L3	3,050	881	4,050
111 Crew Van PURE L3	3,050	881	4,800
114 Crew Van PURE L3	3,050	781	5,050
114 Crew Van PURE L3 AUTO	3,050	754	5,050

Please note: The stated payload weights are correct according to type approval data. The specific payload values for UK supplied vehicles may differ. The figure quoted only accounts for equipment which is included in the UK product offer as standard. Please speak to a dealer for final vehicle configurations and weights once all options and accessories have been added.

Weights and payloads

PROGRESSIVE - Panel Van

Model	Gross vehicle weight (kg)	Payload (kg)	Gross train weight (kg)
109 Van PROGRESSIVE L1	2,800	867	4,000
111 Van PROGRESSIVE L1	2,800	867	4,800
114 Van PROGRESSIVE L1	2,800	767	4,800
114 Van PROGRESSIVE L1 AUTO	2,800	740	4,800
116 Van PROGRESSIVE L1	2,800	762	4,800
116 Van PROGRESSIVE L1 AUTO	2,800	735	4,800
109 Van PROGRESSIVE L2	2,800	840	4,000
111 Van PROGRESSIVE L2	2,800	840	4,800
114 Van PROGRESSIVE L2	2,800	740	4,800
114 Van PROGRESSIVE L2 AUTO	2,800	713	4,800
116 Van PROGRESSIVE L2	2,800	735	4,800
116 Van PROGRESSIVE L2 AUTO	2,800	708	4,800
109 Van PROGRESSIVE L3	2,800	805	4,000
111 Van PROGRESSIVE L3	2,800	805	4,800
114 Van PROGRESSIVE L3	2,800	705	4,800
114 Van PROGRESSIVE L3 AUTO	2,800	678	4,800
116 Van PROGRESSIVE L3	2,800	700	4,800
116 Van PROGRESSIVE L3 AUTO	2,800	673	4,800

PROGRESSIVE - Crew Van

Model	Gross vehicle weight (kg)	Payload (kg)	Gross train weight (kg)
109 Crew Van PROGRESSIVE L1	3,050	967	4,050
111 Crew Van PROGRESSIVE L1	3,050	967	4,800
114 Crew Van PROGRESSIVE L1	3,050	867	5,050
114 Crew Van PROGRESSIVE L1 AUTO	3,050	839	5,050
116 Crew Van PROGRESSIVE L1	3,050	839	5,050
109 Crew Van PROGRESSIVE L2	3,050	903	4,050
111 Crew Van PROGRESSIVE L2	3,050	903	4,800
114 Crew Van PROGRESSIVE L2	3,050	803	5,050
114 Crew Van PROGRESSIVE L2 AUTO	3,050	775	5,050
116 Crew Van PROGRESSIVE L2	3,050	775	5,050
109 Crew Van PROGRESSIVE L3	3,050	878	4,050
111 Crew Van PROGRESSIVE L3	3,050	878	4,800
114 Crew Van PROGRESSIVE L3	3,050	778	5,050
114 Crew Van PROGRESSIVE L3 AUTO	3,050	750	5,050
116 Crew Van PROGRESSIVE L3	3,050	750	5,050

Please note: The stated payload weights are correct according to type approval data. The specific payload values for UK supplied vehicles may differ. The figure quoted only accounts for equipment which is included in the UK product offer as standard. Please speak to a dealer for final vehicle configurations and weights once all options and accessories have been added.

Weights and payloads

PREMIUM - Panel Van

Model	Gross vehicle weight (kg)	Payload (kg)	Gross train weight (kg)
114 Van PREMIUM L1	2,800	736	4,800
114 Van PREMIUM L1 AUTO	2,800	709	4,800
116 Van PREMIUM L1	2,800	736	4,800
116 Van PREMIUM L1 AUTO	2,800	709	4,800
119 Van PREMIUM L1	2,800	704	4,800
114 Van PREMIUM L2	2,800	709	4,800
114 Van PREMIUM L2 AUTO	2,800	682	4,800
116 Van PREMIUM L2	2,800	709	4,800
116 Van PREMIUM L2 AUTO	2,800	682	4,800
119 Van PREMIUM L2	2,800	677	4,800
114 Van PREMIUM L3	2,800	674	4,800
114 Van PREMIUM L3 AUTO	2,800	647	4,800
116 Van PREMIUM L3	2,800	674	4,800
116 Van PREMIUM L3 AUTO	2,800	647	4,800
119 Van PREMIUM L3	2,800	642	4,800

PREMIUM - Crew Van

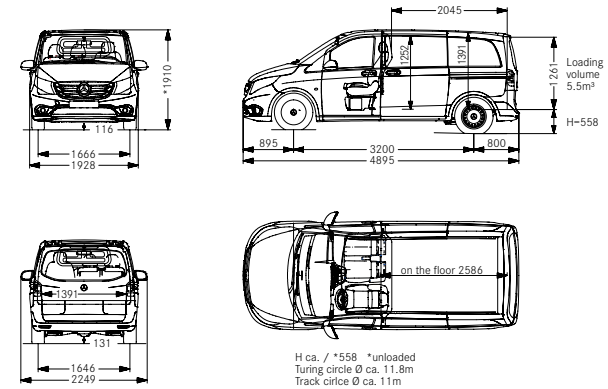
Model	Gross vehicle weight (kg)	Payload (kg)	Gross train weight (kg)
114 Crew Van PREMIUM L1	3,050	842	5,050
114 Crew Van PREMIUM L1 AUTO	3,050	815	5,050
116 Crew Van PREMIUM L1	3,050	839	5,050
119 Crew Van PREMIUM L1	3,050	810	5,050
114 Crew Van PREMIUM L2	3,050	777	5,050
114 Crew Van PREMIUM L2 AUTO	3,050	750	5,050
116 Crew Van PREMIUM L2	3,050	750	5,050
119 Crew Van PREMIUM L2	3,050	745	5,050
114 Crew Van PREMIUM L3	3,050	752	5,050
114 Crew Van PREMIUM L3 AUTO	3,050	725	5,050
116 Crew Van PREMIUM L3	3,050	725	5,050
119 Crew Van PREMIUM L3	3,050	720	5,050

Please note: The stated payload weights are correct according to type approval data. The specific payload values for UK supplied vehicles may differ. The figure quoted only accounts for equipment which is included in the UK product offer as standard. Please speak to a dealer for final vehicle configurations and weights once all options and accessories have been added.

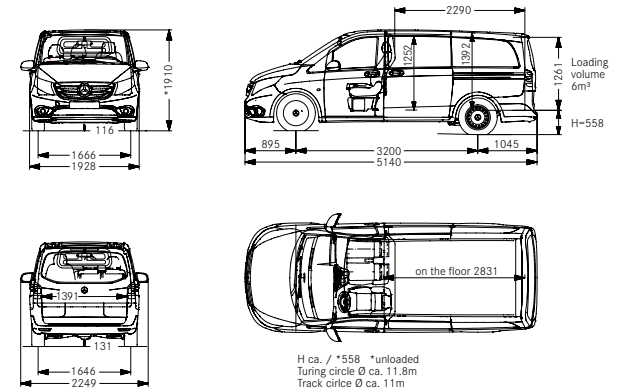
Panel Van dimensions

Description		L1	L2	L3
Wheelbase	Wheelbase length	3,200mm	3,200mm	3,430mm
	Turning circle	11.8m	11.8m	12.5m
	Track circle	11m	11m	12m
	Front track width	1,666mm	1,666mm	1,666mm
	Rear track width	1,646mm	1,646mm	1,646mm
Vehicle	Length	4,895mm	5,140mm	5,370mm
	Height (unladen)	1,910mm	1,910mm	1,910mm
	Width (inc. wing mirrors)	2,249mm	2,249mm	2,249mm
	Ground clearance	116mm	116mm	116mm
Load compartment	Length	2,568mm*	2,831mm*	3,061mm*
	Load volume	5.5m ³	6.0m ³	6.6m ³
	Max. width	1,685mm	1,685mm	1,685mm
	Width between wheel arches	1,270mm	1,270mm	1,270mm
	Height	1,391mm	1,391mm	1,391mm
	Rear loading height (step height from ground to load floor)	558mm	558mm	558mm

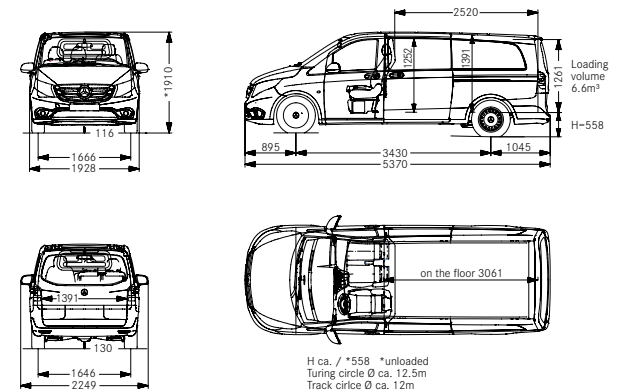
Panel Van L1



Panel Van L2



Panel Van L3

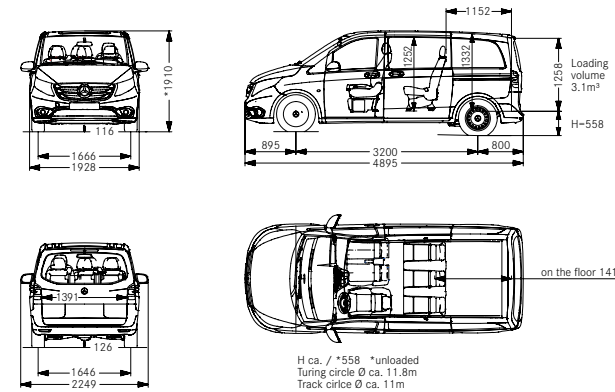


*Measured on vehicle floor and includes 370mm for the space beneath the front seats.

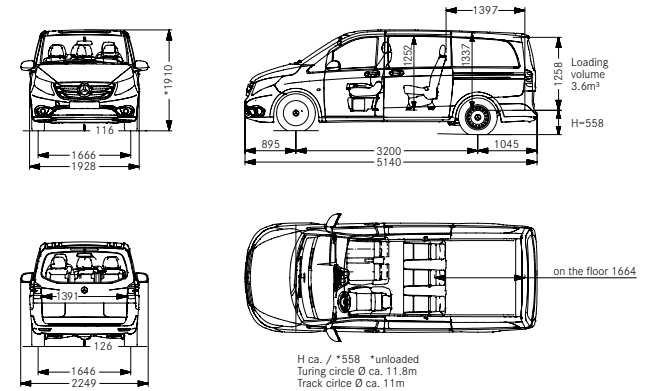
Crew Van dimensions

	Description	L1	L2	L3
Wheelbase	Wheelbase length	3,200mm	3,200mm	3,430mm
	Turning circle	11.8m	11.8m	12.5m
	Track circle	11m	11m	12m
	Front track width	1,666mm	1,666mm	1,666mm
	Rear track width	1,646mm	1,646mm	1,646mm
Vehicle	Length	4,895mm	5,140mm	5,370mm
	Height (unladen)	1,910mm	1,910mm	1,910mm
	Width (inc. wing mirrors)	2,249mm	2,249mm	2,249mm
	Ground clearance	116mm	116mm	116mm
Load compartment	Length	1,419mm	1,664mm*	1,894mm*
	Load volume	3.1m ³	3.6m ³	4.1m ³
	Max. width	1,685mm	1,685mm	1,685mm
	Width between wheel arches	1,270mm	1,270mm	1,270mm
	Height	1,391mm	1,391mm	1,391mm
	Rear loading height (step height from ground to load floor)	558mm	558mm	558mm

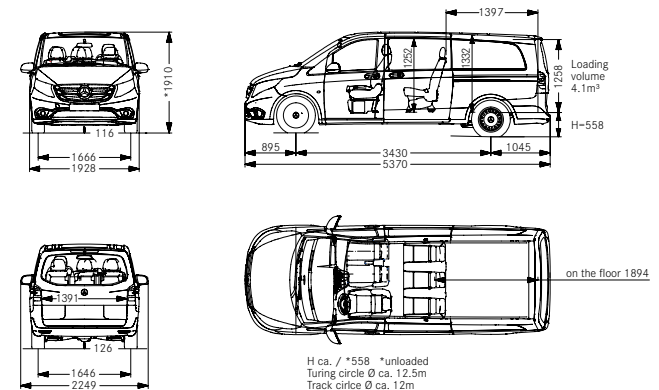
Crew Van L1



Crew Van L2



Crew Van L3



*Measured on vehicle floor and includes 370mm for the space beneath the front seats.

List prices

PURE - Panel Van

Model	Body Style	Body Length	Engine	Driven Axle	Transmission	CO ₂ (g/km)	Basic Recommended Retail Price (Ex. VAT) £	Basic Recommended Retail Price (Inc. VAT) £
109 Van PURE L1	Panel Van	L1	109	Front	Manual	164	£20,630	£24,756
111 Van PURE L1	Panel Van	L1	111	Front	Manual	164	£22,070	£26,484
114 Van PURE L1	Panel Van	L1	114	Rear	Manual	171	£23,510	£28,212
114 Van PURE L1 AUTO	Panel Van	L1	114	Rear	Automatic option (G42)	163	£25,325	£30,390
109 Van PURE L2	Panel Van	L2	109	Front	Manual	164	£21,020	£25,224
111 Van PURE L2	Panel Van	L2	111	Front	Manual	164	£22,460	£26,952
114 Van PURE L2	Panel Van	L2	114	Rear	Manual	171	£23,900	£28,680
114 Van PURE L2 AUTO	Panel Van	L2	114	Rear	Automatic option (G42)	163	£25,715	£30,858
109 Van PURE L3	Panel Van	L3	109	Front	Manual	169	£21,540	£25,848
111 Van PURE L3	Panel Van	L3	111	Front	Manual	169	£22,980	£27,576
114 Van PURE L3	Panel Van	L3	114	Rear	Manual	174	£24,420	£29,304
114 Van PURE L3 AUTO	Panel Van	L3	114	Rear	Automatic option (G42)	169	£26,235	£31,482

AUTO = Automatic

This document is for guidance only and must be used in conjunction with a configuration tool prior to final specification decisions and vehicle quotations being prepared and accepted. Changes to individual option availability and combinations may occur depending on vehicle specification choices and the continuing evolution and adaptation of our product range. These changes may not be immediately reflected in this document as they occur, but will be introduced at the next revision opportunity.

PURE - Crew Van

Model	Body Style	Body Length	Engine	Driven Axle	Transmission	CO ₂ (g/km)	Basic Recommended Retail Price (Ex. VAT) £	Basic Recommended Retail Price (Inc. VAT) £
109 Crew Van PURE L1	Crew Van	L1	109	Front	Manual	172	£22,470	£26,964
111 Crew Van PURE L1	Crew Van	L1	111	Front	Manual	172	£23,910	£28,692
114 Crew Van PURE L1	Crew Van	L1	114	Rear	Manual	174	£25,350	£30,420
114 Crew Van PURE L1 AUTO	Crew Van	L1	114	Rear	Automatic option (G42)	171	£27,165	£32,598
109 Crew Van PURE L2	Crew Van	L2	109	Front	Manual	172	£22,860	£27,432
111 Crew Van PURE L2	Crew Van	L2	111	Front	Manual	172	£24,300	£29,160
114 Crew Van PURE L2	Crew Van	L2	114	Rear	Manual	179	£25,740	£30,888
114 Crew Van PURE L2 AUTO	Crew Van	L2	114	Rear	Automatic option (G42)	171	£27,555	£33,066
109 Crew Van PURE L3	Crew Van	L3	109	Front	Manual	172	£23,380	£28,056
111 Crew Van PURE L3	Crew Van	L3	111	Front	Manual	172	£24,820	£29,784
114 Crew Van PURE L3	Crew Van	L3	114	Rear	Manual	179	£26,260	£31,512
114 Crew Van PURE L3 AUTO	Crew Van	L3	114	Rear	Automatic option (G42)	171	£28,075	£33,690

AUTO = Automatic

This document is for guidance only and must be used in conjunction with a configuration tool prior to final specification decisions and vehicle quotations being prepared and accepted. Changes to individual option availability and combinations may occur depending on vehicle specification choices and the continuing evolution and adaptation of our product range. These changes may not be immediately reflected in this document as they occur, but will be introduced at the next revision opportunity.

PROGRESSIVE - Panel Van

Model	Body Style	Body Length	Engine	Driven Axle	Transmission	CO ₂ (g/km)	Basic Recommended Retail Price (Ex. VAT) £	Basic Recommended Retail Price (Inc. VAT) £
109 Van PROGRESSIVE L1	Panel Van	L1	109	Front	Manual	164	£22,300	£26,760
111 Van PROGRESSIVE L1	Panel Van	L1	111	Front	Manual	164	£23,740	£28,488
114 Van PROGRESSIVE L1	Panel Van	L1	114	Rear	Manual	171	£25,180	£30,216
114 Van PROGRESSIVE L1 AUTO	Panel Van	L1	114	Rear	Automatic option (G42)	163	£26,700	£32,040
116 Van PROGRESSIVE L1	Panel Van	L1	116	Rear	Manual	161	£26,620	£31,944
116 Van PROGRESSIVE L1 AUTO	Panel Van	L1	116	Rear	Automatic option (G42)	161	£28,140	£33,768
109 Van PROGRESSIVE L2	Panel Van	L2	109	Front	Manual	164	£22,690	£27,228
111 Van PROGRESSIVE L2	Panel Van	L2	111	Front	Manual	164	£24,130	£28,956
114 Van PROGRESSIVE L2	Panel Van	L2	114	Rear	Manual	171	£25,570	£30,684
114 Van PROGRESSIVE L2 AUTO	Panel Van	L2	114	Rear	Automatic option (G42)	169	£27,090	£32,508
116 Van PROGRESSIVE L2	Panel Van	L2	116	Rear	Manual	161	£27,010	£32,412
116 Van PROGRESSIVE L2 AUTO	Panel Van	L2	116	Rear	Automatic option (G42)	166	£28,530	£34,236
109 Van PROGRESSIVE L3	Panel Van	L3	109	Front	Manual	169	£23,210	£27,852
111 Van PROGRESSIVE L3	Panel Van	L3	111	Front	Manual	169	£24,650	£29,580
114 Van PROGRESSIVE L3	Panel Van	L3	114	Rear	Manual	174	£26,090	£31,308
114 Van PROGRESSIVE L3 AUTO	Panel Van	L3	114	Rear	Automatic option (G42)	169	£27,610	£33,132
116 Van PROGRESSIVE L3	Panel Van	L3	116	Rear	Manual	163	£27,530	£33,036
116 Van PROGRESSIVE L3 AUTO	Panel Van	L3	116	Rear	Automatic option (G42)	166	£29,050	£34,860

AUTO = Automatic

This document is for guidance only and must be used in conjunction with a configuration tool prior to final specification decisions and vehicle quotations being prepared and accepted. Changes to individual option availability and combinations may occur depending on vehicle specification choices and the continuing evolution and adaptation of our product range. These changes may not be immediately reflected in this document as they occur, but will be introduced at the next revision opportunity.

PROGRESSIVE - Crew Van

Model	Body Style	Body Length	Engine	Driven Axle	Transmission	CO ₂ (g/km)	Basic Recommended Retail Price (Ex. VAT) £	Basic Recommended Retail Price (Inc. VAT) £
109 Crew Van PROGRESSIVE L1	Crew Van	L1	109	Front	Manual	172	£24,130	£28,956
111 Crew Van PROGRESSIVE L1	Crew Van	L1	111	Front	Manual	172	£25,570	£30,684
114 Crew Van PROGRESSIVE L1	Crew Van	L1	114	Rear	Manual	174	£27,010	£32,412
114 Crew Van PROGRESSIVE L1 AUTO	Crew Van	L1	114	Rear	Automatic option (G42)	171	£28,530	£34,236
116 Crew Van PROGRESSIVE L1	Crew Van	L1	116	Rear	Automatic	169	£29,925	£35,910
109 Crew Van PROGRESSIVE L2	Crew Van	L2	109	Front	Manual	172	£24,520	£29,424
111 Crew Van PROGRESSIVE L2	Crew Van	L2	111	Front	Manual	172	£25,960	£31,152
114 Crew Van PROGRESSIVE L2	Crew Van	L2	114	Rear	Manual	179	£27,400	£32,880
114 Crew Van PROGRESSIVE L2 AUTO	Crew Van	L2	114	Rear	Automatic option (G42)	171	£28,920	£34,704
116 Crew Van PROGRESSIVE L2	Crew Van	L2	116	Rear	Automatic	169	£30,315	£36,378
109 Crew Van PROGRESSIVE L3	Crew Van	L3	109	Front	Manual	172	£25,040	£30,048
111 Crew Van PROGRESSIVE L3	Crew Van	L3	111	Front	Manual	172	£26,480	£31,776
114 Crew Van PROGRESSIVE L3	Crew Van	L3	114	Rear	Manual	179	£27,920	£33,504
114 Crew Van PROGRESSIVE L3 AUTO	Crew Van	L3	114	Rear	Automatic option (G42)	171	£29,440	£35,328
116 Crew Van PROGRESSIVE L3	Crew Van	L3	116	Rear	Automatic	169	£30,835	£37,002

AUTO = Automatic

This document is for guidance only and must be used in conjunction with a configuration tool prior to final specification decisions and vehicle quotations being prepared and accepted. Changes to individual option availability and combinations may occur depending on vehicle specification choices and the continuing evolution and adaptation of our product range. These changes may not be immediately reflected in this document as they occur, but will be introduced at the next revision opportunity.

PREMIUM - Panel Van

Model	Body Style	Body Length	Engine	Driven Axle	Transmission	CO ₂ (g/km)	Basic Recommended Retail Price (Ex. VAT) £	Basic Recommended Retail Price (Inc. VAT) £
114 Van PREMIUM L1	Panel Van	L1	114	Rear	Manual	171	£27,190	£32,628
114 Van PREMIUM L1 AUTO	Panel Van	L1	114	Rear	Automatic option (G42)	169	£28,710	£34,452
116 Van PREMIUM L1	Panel Van	L1	116	Rear	Manual	161	£28,630	£34,356
116 Van PREMIUM L1 AUTO	Panel Van	L1	116	Rear	Automatic option (G42)	166	£30,150	£36,180
119 Van PREMIUM L1	Panel Van	L1	119	Rear	Automatic	166	£31,300	£37,560
114 Van PREMIUM L2	Panel Van	L2	114	Rear	Manual	174	£27,580	£33,096
114 Van PREMIUM L2 AUTO	Panel Van	L2	114	Rear	Automatic option (G42)	169	£29,100	£34,920
116 Van PREMIUM L2	Panel Van	L2	116	Rear	Manual	163	£29,020	£34,824
116 Van PREMIUM L2 AUTO	Panel Van	L2	116	Rear	Automatic option (G42)	166	£30,540	£36,648
119 Van PREMIUM L2	Panel Van	L2	119	Rear	Automatic	166	£31,690	£38,028
114 Van PREMIUM L3	Panel Van	L3	114	Rear	Manual	174	£28,100	£33,720
114 Van PREMIUM L3 AUTO	Panel Van	L3	114	Rear	Automatic option (G42)	169	£29,620	£35,544
116 Van PREMIUM L3	Panel Van	L3	116	Rear	Manual	163	£29,540	£35,448
116 Van PREMIUM L3 AUTO	Panel Van	L3	116	Rear	Automatic option (G42)	166	£31,060	£37,272
119 Van PREMIUM L3	Panel Van	L3	119	Rear	Automatic	166	£32,210	£38,652

AUTO = Automatic

This document is for guidance only and must be used in conjunction with a configuration tool prior to final specification decisions and vehicle quotations being prepared and accepted. Changes to individual option availability and combinations may occur depending on vehicle specification choices and the continuing evolution and adaptation of our product range. These changes may not be immediately reflected in this document as they occur, but will be introduced at the next revision opportunity.

PREMIUM - Crew Van

Model	Body Style	Body Length	Engine	Driven Axle	Transmission	CO ₂ (g/km)	Basic Recommended Retail Price (Ex. VAT) £	Basic Recommended Retail Price (Inc. VAT) £
114 Crew Van PREMIUM L1	Crew Van	L1	114	Rear	Manual	179	£29,020	£34,824
114 Crew Van PREMIUM L1 AUTO	Crew Van	L1	114	Rear	Automatic option (G42)	171	£30,540	£36,648
116 Crew Van PREMIUM L1	Crew Van	L1	116	Rear	Automatic	169	£31,935	£38,322
119 Crew Van PREMIUM L1	Crew Van	L1	119	Rear	Automatic	169	£34,605	£41,526
114 Crew Van PREMIUM L2	Crew Van	L2	114	Rear	Manual	179	£29,410	£35,292
114 Crew Van PREMIUM L2 AUTO	Crew Van	L2	114	Rear	Automatic option (G42)	171	£30,930	£37,116
116 Crew Van PREMIUM L2	Crew Van	L2	116	Rear	Automatic	169	£32,325	£38,790
119 Crew Van PREMIUM L2	Crew Van	L2	119	Rear	Automatic	169	£34,995	£41,994
114 Crew Van PREMIUM L3	Crew Van	L3	114	Rear	Manual	179	£29,930	£35,916
114 Crew Van PREMIUM L3 AUTO	Crew Van	L3	114	Rear	Automatic option (G42)	171	£31,450	£37,740
116 Crew Van PREMIUM L3	Crew Van	L3	116	Rear	Automatic	169	£32,845	£39,414
119 Crew Van PREMIUM L3	Crew Van	L3	119	Rear	Automatic	169	£35,515	£42,618

AUTO = Automatic

This document is for guidance only and must be used in conjunction with a configuration tool prior to final specification decisions and vehicle quotations being prepared and accepted. Changes to individual option availability and combinations may occur depending on vehicle specification choices and the continuing evolution and adaptation of our product range. These changes may not be immediately reflected in this document as they occur, but will be introduced at the next revision opportunity.

Optional equipment

Category	Option	Notes	Option code	PURE		PROGRESSIVE		PREMIUM	
				Panel Van Basic ex. VAT	Crew Van Basic ex. VAT	Panel Van Basic ex. VAT	Crew Van Basic ex. VAT	Panel Van Basic ex. VAT	Crew Van Basic ex. VAT
Airbags	Co-driver airbag	Two-stage airbag with secondary 'adaptivity' stage which varies inflation according to impact severity. In vehicles fitted with double co-driver seat, both seat occupants are protected. Weight sensor in co-driver seat automatically deactivates the front passenger airbag if the seat is unoccupied.	SA6	●	●	●	●	●	●
Alarm	Anti-theft protection package		FY1	£320	£320	£320	£320	●	●
Audio	Audio 10	3.5" monochrome display; Bluetooth® compatible for handsfree phone and audio playback; USB, AUX-in, SD-card inputs; FM/AM radio tuner	EN6	●	●	-	-	-	-
	Audio 15	5.8" Colour TFT display; Bluetooth® compatible for handsfree phone and audio playback; USB, AUX-in, SD-card inputs; FM/AM radio tuner	EN7	£620	£620	●	●	●	●
	Audio 40	7" colour LCD display; DAB+ /FM/AM radio tuner; Pioneer satellite navigation; Android Auto and Apple® CarPlay; Bluetooth® compatible for handsfree phone and audio playback; 2xUSB, AUX-in	EA4	£660	£660	£660	£660	£660	£660
Chrome	Chrome Radiator Grille		FK2	£110	£110	£110	£110	●	●
Driver Assistance	Cruise Control	Includes speed limiter function. Operated via a lever ergonomically positioned on the left of the steering column.	MS1	£295	£295	●	●	●	●
	Tyre pressure monitoring, wireless	Monitors air pressure in all 4 wheels. Slight pressure variances generate a visual warning. Sudden, extreme, pressure losses trigger an additional acoustic warning.	RY2	●	●	●	●	●	●
	Pre-installation for Becker MAP PILOT		EV6	£245	£245	£245	£245	●	●
Exterior	Colour-coded front & rear bumpers		CM2	£315	£315	●	●	●	●
Fuel Tank	70L Fuel Tank		KB5	£80	£80	£80	£80	£80	£80
Gearbox	7G-TRONIC PLUS Automatic Gearbox		G42	£1,520	£1,520	£1,520	£1,520	£1,520	£1,520

● Standard – Not available

The Mercedes-Benz Vito

30

Optional equipment

Category	Option	Notes	Option code	PURE		PROGRESSIVE		PREMIUM	
				Panel Van	Crew Van	Panel Van	Crew Van	Panel Van	Crew Van
				Basic ex. VAT	Basic ex. VAT	Basic ex. VAT	Basic ex. VAT	Basic ex. VAT	Basic ex. VAT
Gross Vehicle Weight (GVW) Uprate	Gross Vehicle Weight 2.8T		-	●	-	●	-	●	-
	Gross Vehicle Weight 3.05T		XA6	£560	●	£560	●	£560	●
	Gross Vehicle Weight 3.2T		XA5	£805	£805	£805	£805	£805	£805
Heating and ventilation	TEMPMATIC Air Conditioning	Cools and dehumidifies the air. Features a particulate filter to remove particles of dust and pollen from the outside air.	HH9	£950	£950	£950	£950	●	●
	THERMOTRONIC Air Conditioning	Automatically controls temperature, airflow and air distribution in 2 separate climate zones. If outside temperatures are very low, the residual heat mode (REST) can make use of the heat stored in the engine's coolant circuit for up to 30mins after the engine has been switched off.	HH4	£1,620	£1,620	£1,620	£1,620	£1,620	£1,620
Interior	Velour floor mats		VL2	£45	£45	£45	£45	●	●
	Wood load flooring	Multiple-bonded 10mm thick weatherproof plywood floor, coated with hard-wearing phenolic resin film, and featuring a non-slip textured grid surface.	V43	●	●	●	●	●	●
Lighting	Front Fog Lamps	Controlled via a push button next to the steering wheel.	L16	£195	£195	●	●	●	●
	Comfort overhead control panel	LED interior lighting including cab downlighting and co-/driver reading lamps; also includes a convenient spectacles compartment.	LC4	●	●	●	●	●	●
	Headlight Assistant	A windscreen sensor continuously monitors light conditions and automatically switches the dipped beams on/off upon reaching pre-defined limits.	LA2	●	●	●	●	●	●
Mirrors	Electrically folding wing mirrors	Fold-in/out function is operated via controls in the driver door.	F64	£190	£190	●	●	●	●
	Heated, electrically adjustable wing mirrors	Mirror heating reduces condensation in cold weather and prevents icing-up of the mirrors. The exterior mirrors are heated automatically upon vehicle start when the outside temperature is low or when the rear defrost function is activated.	F68	●	●	●	●	●	●
Paint	Metallic Paint		-	£565	£565	●	●	●	●

● Standard – Not available

The Mercedes-Benz Vito

31

Optional equipment

Category	Option	Notes	Option code	PURE		PROGRESSIVE		PREMIUM	
				Panel Van Basic ex. VAT	Crew Van Basic ex. VAT	Panel Van Basic ex. VAT	Crew Van Basic ex. VAT	Panel Van Basic ex. VAT	Crew Van Basic ex. VAT
Parking	Active Parking Assist	Includes front and rear PARKTRONIC parking sensors. Vehicle automatically parks in 'parallel' and 'bay' parking spaces. Steering is carried out automatically: The driver only has to control accelerator, brake, and gears. In conjunction with automatic transmission, Active Parking Assist also takes care of braking.	EZ7	●	●	●	●	●	●
	Reversing Camera		FR8	£480	£480	£480	£480	●	●
Seating	Comfort co-driver's seat	Please note: This deletes the double co-driver seat and therefore limits the cab area to two occupants.	SB2	£85	£85	£85	£85	£85	£85
	Comfort driver's seat	Single armrest on the side facing the front passenger; fore/aft adjustment (225mm in total, with 4.5mm intervals); stepless adjustment of the seat backrest angle; stepless seat height adjustment; comfort head restraint adjustable for angle and height.	SB1	●	●	●	●	●	●
	Double co-driver seat	Bench seat with 2x three-point seat belts, height-adjustable head restraints, and a fixed 17° backrest	S23	●	●	●	●	●	●
	Heated Driver's Seat		H16	£145	£145	£145	£145	£145	£145
	Lumbar support, co-driver's seat	Not compatible with Double co-driver seat (S23)	SE4	£105	£105	£105	£105	£105	£105
	Lumbar support, driver's seat	Electropneumatically operated dual-cushion 4-way lumbar support, adjusted using a switch on the outer side of the seat cushion. The position of the air cushions can also be adjusted for height.	SE5	£105	£105	●	●	●	●

● Standard – Not available

Optional equipment

Category	Option	Notes	Option code	PURE		PROGRESSIVE		PREMIUM	
				Panel Van	Crew Van	Panel Van	Crew Van	Panel Van	Crew Van
				Basic ex. VAT	Basic ex. VAT	Basic ex. VAT	Basic ex. VAT	Basic ex. VAT	Basic ex. VAT
Storage	Locking glove compartment	Lock operated using the manual emergency key which is integrated within the electronic ignition key.	F66	●	●	●	●	●	●
	Roof Rails		D12	£380	£380	£380	£380	£380	£380
Steering Wheel	Height and rake adjustable steering wheel	Manually adjustable by 4.8° in tilt and 60mm in/out.	CL1	●	●	●	●	●	●
	Leather steering wheel, gear knob and gaiter		CL2	●	●	●	●	●	●
Wheel Trims	17" Alloy Wheels (20 spoke design)	Painted in vanadium silver Wheel: 7 J x 17 ET 51 Tyres: 225/55 R 17	RK8	£950	£950	£950	£950	●	●
	"17" Alloy Wheels (5 spoke design)	Painted in vanadium silver Wheel: 7 J x 17 ET 51 Tyres: 225/55 R 17	RL8	£950	£950	£950	£950	●	●
	Full wheel trims for steel wheels		RD8	£80	£80	●	●	-	-
Windows	Heat-insulating glass	Windscreen (laminated glass), side windows and rear window (single-pane safety glass) are tinted green, reducing the sunlight's heating effect on the interior.	H20	●	●	●	●	●	●
	Shaded glass in rear, black glass	90% window tint offers attractive thermal and privacy protection. Applies to all windows aft of the B-pillar.	W70	-	●	-	●	-	●
	Sliding window in left sliding door		W18	£355	£355	£355	£355	£355	£355
	Sliding window in right sliding door		W19	£355	£355	£355	£355	£355	£355

● Standard - Not available

The Mercedes-Benz Vito

33

Finance options

Get an agreement that suits you with Mercedes-Benz Finance

At Mercedes-Benz Finance we have a number of finance options you can choose from to suit your business needs, because we understand the complexities of running a modern-day business...

Agility

A flexible method of financing a vehicle over a fixed term. The agreement defers your decision of whether you purchase, hand back or part-exchange your vehicle until the end of your agreement.

- Fixed regular payments mean you can easily budget
- Payments are based only on a proportion of the van's value, keeping your monthly payments lower
- Our Optional Purchase Payment avoids the risk of unplanned depreciation of your vehicle.

Hire Purchase

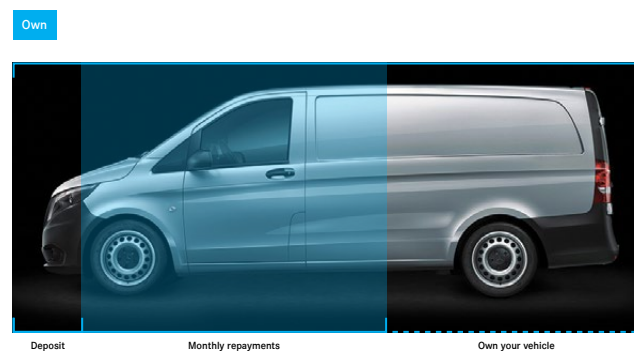
A straightforward route to ownership. This is the perfect way to buy a Mercedes-Benz if you want to work your way up to full ownership, spreading the overall cost over a fixed term.

- On completion of the agreement you will own the vehicle
- A flexible deposit and repayment term means you can tailor the financial agreement to suit you
- Monthly payments are not based on annual mileage.

Operating Lease

A solution for those who want to drive one of our vehicles over a fixed term, with lower monthly rentals and without the worries or commitment of ownership.

- Pay an advance rental upfront
- Rentals are based on your annual mileage agreed at the start of your agreement and only on a proportion of the vehicle's value, keeping your monthly payments lower
- Rentals are allowable against taxable profits (proportionally).



Finance options

Contract Hire

Gives you the ability to enjoy driving a Mercedes-Benz without having to take on full ownership. With Contract Hire, you lease your vehicle for a fixed period and for a fixed monthly rental.

- No need for a large initial deposit
- Repair and Maintenance options are also available
- VAT is reclaimable depending on usage (proportionally).

Finance Lease

Allows your vehicle to appear as an asset on your balance sheet, without the option of ownership as you hire a vehicle for a fixed period.

- Fixed regular payments enable you to easily budget
- The vehicle is an asset on the balance sheet, therefore tax allowances may be deducted from taxable profits
- Payments are not based on annual mileage.



Ask your local dealer or more information about our finance options

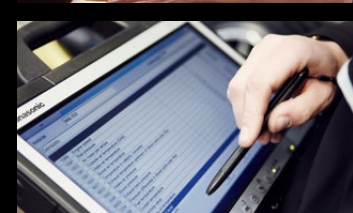
After care

Keeping Businesses Moving.

Once you've driven away in your new Vito, the support we provide doesn't stop there. Did you know we offer a number of ways to keep your business moving long into the future? It's perhaps one of our best kept secrets...

- **ServiceCare** - Because you don't stop, we don't either. We offer a range of servicing options to suit every business - and we make it easy to book services online. We also understand how important it is to maintain momentum, which is why most of our Dealers work until midnight and over a third are there 24/7, to keep your vehicles running at their peak performance.
- **ServiceCare Maintenance** - Spread the cost of up to 6 services and save, without entering into a credit agreement. Pay one upfront sum or by monthly Direct Debit.
- **ServiceCare Flex** - Fix and reduce servicing costs for your van fleet by buying them in bulk. Specifically designed for fleets operating 25+ vehicles.
- **ServiceCare Complete** - Tailor a package that covers all your service and maintenance requirements and maintenance costs.
- **National Service Price** - Our National Service Pricing for the UK is designed to give clear, transparent costs to all our customers. It means that no matter where you are, or which approved Dealer you choose to use, you'll always get a consistently fair deal.
- **MobiloVan** - All Mercedes-Benz Vans come with MobiloVan, our free roadside assistance* package. If you breakdown, have a collision or can't start your van, call MobiloVan and a technician with an average response time of under 60 minutes will arrive in a van stocked with Mercedes-Benz GenuineParts. With an average roadside repair rate of 80%, you'll be moving again in no time.
- **3 year warranty** - Because we want to help keep businesses moving today and in the future, all our new and Approved Used vans come with a free 3 year unlimited mileage warranty.
- **24/7 Dealer network** - our nationwide network of approved Dealers is here to help your business maintain momentum. Most Dealers work until midnight and over a third are there 24/7.
- **Genuine RemanParts** - Our remanufactured parts help to reduce costs without compromising on the proven Mercedes-Benz quality. Each part is remanufactured, checked and tested according to the highest standards.

*Terms & Conditions apply. See www.mbvans.co.uk/mobilovan for more information.



Terms and Conditions Vehicle and option availability and combinations may be subject to change since this price list was issued. Model and option List Price are quoted ex-factory and exclude VAT unless otherwise stated. A standard delivery charge of £600 excluding VAT will be added to model prices quoted in this price list. All model prices include standard finish paint choice. The right is reserved to alter specification and vary prices without notice. The availability of options may depend on the chosen base vehicle and other optional equipment specified, and should be confirmed with your Mercedes-Benz Dealer prior to order placement. Mercedes-Benz Vans UK Ltd, Tongwell, Milton Keynes, MK15 8BA