



▶ Book a test drive



▶ Buy your Mercedes-AMG GT 4-door



▶ Find a Retailer

Mercedes-AMG GT 4-door Coupé



Effective from December 2020 Production.

Mercedes-Benz





> Book a test drive



> Buy your Mercedes-AMG GT 4-door



> Find a Retailer

Contents

6 Introducing MBUX

7 Mercedes me

9 Standard equipment overview

10 Mercedes-AMG models

17 Mercedes-AMG driver training

18 Rear Luxury Lounge package

19 AMG Aerodynamics package

20 Driving Assistance package

21 AMG high-performance ceramic composite braking system

22 Colours and materials

29 Wheels

30 Standard equipment

34 Technical data

36 Road Fund Licence

37 Services and insurance

38 Mercedes-Benz Finance



▶ Book a test drive



▶ Buy your Mercedes-AMG GT 4-door



▶ Find a Retailer



Some of the model features, optional extras and colours shown may not be available, or may only be available in a different specification, or at a different price.



▶ Book a test drive



▶ Buy your Mercedes-AMG GT 4-door



▶ Find a Retailer



Some of the model features, optional extras and colours shown may not be available, or may only be available in a different specification, or at a different price.



▶ Book a test drive



▶ Buy your Mercedes-AMG GT 4-door



▶ Find a Retailer



Some of the model features, optional extras and colours shown may not be available, or may only be available in a different specification, or at a different price.



> Book a test drive



> Buy your Mercedes-AMG GT 4-door



> Find a Retailer

Introducing MBUX



Using the touchpad you can control the display of the multimedia system



Multi-gesture touchpad control

Introducing MBUX, the brand new Mercedes-Benz User Experience infotainment system that can be controlled via voice and touch input. The Mercedes-AMG GT 4-door Coupé joins other models to feature this innovative way of communicating with your Mercedes-Benz.

MBUX (Mercedes-Benz User Experience) infotainment system comprises:

Voice control

- Activated by the keywords “Hey Mercedes”, the new intelligent voice control LINGUATRONIC¹ lets you control many of the infotainment functions, including destination input, phone calls or music selection
- MBUX is able to understand different accents and will adjust to you over time
- MBUX even understands indirect commands. Feeling chilly? Just say “I feel cold” and MBUX will adjust the temperature for you

Personalisation

- Turn the Mercedes-AMG GT 4-door Coupé into your very own Mercedes-Benz by personalising driving modes, radio stations, ambient lighting and much more
- Your personal settings can be saved in up to seven different profiles, making your driving experience the best one possible
- Thanks to artificial intelligence, MBUX is able to learn and adapt over time. It will be able to predict your personal habits, such as navigation for frequently-driven routes, or the radio station you like to listen to on your way home from work

Touch inputs

- Beside voice control you can operate MBUX via touchscreen, the touchpad on the centre console, as well as touch control buttons on the steering wheel
- The touchpad recognises your handwriting should you wish to enter addresses or phone numbers silently

Maintenance and service

- Wondering when the next service is due? Or how much further you can drive until you need to stop at a petrol station? Just ask your MBUX – it will tell you the answer

¹LINGUATRONIC off-board functions are currently only available for 3 years



› Book a test drive



› Buy your Mercedes-AMG GT 4-door



› Find a Retailer

Mercedes me connect.

Stay connected, any time, anywhere.

Mercedes me is a range of innovative online services designed to enhance your Mercedes-Benz experience. Accessible via mobile, tablet or PC, Mercedes me lets you enjoy the highest standards of care and support, in a way that integrates seamlessly with your busy lifestyle.



Navigation Services (0 1U)

Visit the Mercedes me connect store or app for pricing.



Live Traffic Information¹

Your navigation system receives traffic data in real time, enabling it to optimise the dynamic route guidance, minimising drive time and offering more precise estimation of arrival times.



Available parking spaces

Locates parking spaces for you in multi-storey car parks and on the street. Saving you time and hassle.



Local Search

This feature provides support in the local search for restaurants or hotels and much more.



Send2Car

Make your journey easier: set your destination using the Mercedes me app and send it directly to your car's navigation system.

Infotainment

Visit the Mercedes me connect store or app for pricing.



connect Store

In the Mercedes me connect Store you can purchase many digital services designed to make your everyday life easier and provide useful information relating to your networked vehicle.



TIDAL

Love music? Get a 3-month TIDAL HiFi subscription free with Mercedes me connect (worth £60) and unlock access to 58 million songs.



Internet Radio

Listen to podcasts and radio stations from anywhere in the world.



Private Car sharing

Car sharing gives you the opportunity to share your vehicle in a straightforward and safe way with third parties who you authorise.

For more information speak to your local Retailer or visit the Mercedes me connect store at shop.mercedes-benz.com/en-gb/connect

¹Free of charge for first three years. Extension possible, visit the Mercedes me connect store for details on pricing



› Book a test drive



› Buy your Mercedes-AMG GT 4-door



› Find a Retailer

Mercedes me connect.

Stay connected, any time, anywhere.

Mercedes me is a range of innovative online services designed to enhance your Mercedes-Benz experience. Accessible via mobile, tablet or PC, Mercedes me lets you enjoy the highest standards of care and support, in a way that integrates seamlessly with your busy lifestyle.



Vehicle Set-up (08U)

Visit the Mercedes me connect store or app for pricing.



Remote Vehicle Status

Check safety information, such as coolant level and brake pad condition, so you can be sure your car is safe and ready to drive.



Personalisation

Store your preferences, such as your favourite radio stations and apps, to create your personal driver profile.

Vehicle Monitoring (09U)

Visit the Mercedes me connect store or app for pricing.



Parked Vehicle Locator

Forgot where you parked your car? No problem: you can locate and track your car, with the Parked Vehicle Locator.



Vehicle Tracker

Track the location of your car anywhere in the world.



Pre-Entry Climate Control

Programming of charging settings and Pre-Entry Climate Control for plug-in vehicles.



Remote Door Locking/Unlocking

Lock and unlock your car remotely, wherever you are in the world.



ECO Display

Monitor your driving style with ECO Display. It summarises your driving style from the start of the journey to its completion to help you achieve the most economical way to drive.



Geo-fencing

Set up a geographical boundary and receive alerts whenever your car enters or leaves this area.

For more information speak to your local Retailer or visit the Mercedes me connect store at shop.mercedes-benz.com/en-gb/connect



> Book a test drive

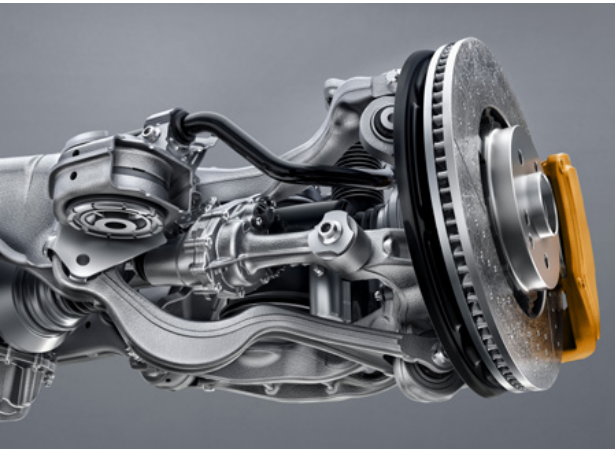


> Buy your Mercedes-AMG GT 4-door



> Find a Retailer

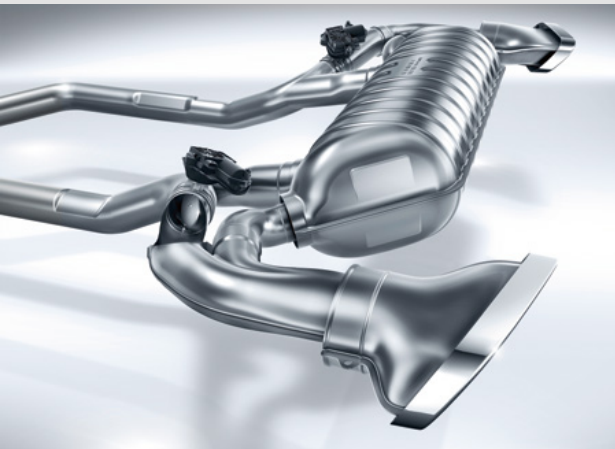
Standard equipment overview



AMG electronic rear-axle limited-slip differential and rear axle steering



AMG DRIVE UNIT in a V8 style with 8 high-resolution display switches, gear selector lever with embossed AMG emblem



AMG Performance exhaust system



Front seats (2) and rear seats (2)



AMG RIDE CONTROL sports suspension



> Book a test drive



> Buy your Mercedes-AMG GT 4-door



> Find a Retailer

Mercedes-AMG GT 63 S 4MATIC+ Premium



Mercedes-AMG GT 63 S 4MATIC+ Premium
Petrol – 3,982 cc, 8-cylinder, 639 hp/470 kW,
AMG SPEEDSHIFT MCT 9-speed sports transmission,
CO₂ 294 g/km^{1,*}

**Basic RRP
excl. VAT**
£115,679.17

**Total RRP
incl. VAT**
£138,815.00

**Road Fund
Licence²**
£2,245.00

**Rec. OTR
price³**
£141,855.00

**P11D
value**
£139,555.00

**BiK tax rate
2021/22**
37%

¹The indicated values were determined according to the prescribed measurement method – Worldwide Harmonised Light Vehicle Test Procedure (WLTP). Figures shown may include options which are not available in the UK

^{*}Figures shown are for comparability purposes; only compare with other cars tested to the same technical procedures. Figures may not reflect real life driving results, which will depend upon a number of factors including factory-fitted options, accessories fitted (post registration), variations in weather, driving styles and vehicle load. Further information about the test used to establish fuel consumption and CO₂ figures can be found at <http://www.mercedes-benz.co.uk/WLTP>

²A different first year rate of Vehicle Excise Duty (Road Fund Licence) applies for new cars

³The recommended on-the-road price includes the Road Fund Licence applicable to the standard model plus delivery charge (£665.00 incl. VAT), new vehicle registration fee (£55.00), fuel (£50.00 incl. VAT), and number plates (£25.00 incl. VAT). VAT is calculated at the standard rate of 20%. Some of the model features, optional extras and colours shown may not be available, or may only be available in a different specification, or at a different price

Some of the model features, optional extras and colours shown may not be available, or may only be available in a different specification, or at a different price



> Book a test drive



> Buy your Mercedes-AMG GT 4-door



> Find a Retailer

Model lines | Mercedes-AMG GT S 4MATIC+ Premium

11



Additional-cost options: brilliant blue magno paint (code 644); Exclusive nappa STYLE leather in macchiato beige/magma grey (code 565A)





As a breathtaking Gran Turismo, the Mercedes-AMG GT 63 S 4MATIC+ Premium is the perfect companion for anyone who appreciates outstanding performance, comfort and versatility. The AMG 4.0-litre V8 biturbo engine delivers 639 hp (470 kW) output and 900 Nm torque – the most powerful in

the Mercedes-Benz range. The AMG RIDE CONTROL sports suspension is adjustable in three stages, from comfortable to sportily taut. Further highlights include the electronic AMG rear axle differential lock with variable locking effect and ‘RACE’ transmission mode.

Engine, Transmission and Suspension

AMG DYNAMIC PLUS package, including dynamic AMG engine mounts, ‘RACE’ drive program including Drift Mod and AMG Performance steering wheel in DINAMICA with AMG steering wheel buttons. Includes standard AMG DYNAMIC select – with the drive programs ‘Slippery’, ‘Comfort’, ‘Sport’, ‘Sport+’ and ‘Individual’

AMG Performance 4MATIC+

Exterior

KEYLESS-GO Comfort package and Keyless Go starting function

Mirror package – electrically-folding mirrors and automatically-dimming driver’s side mirror and rear view mirror

Parking package – Active Parking Assist with PARKTRONIC and 360° camera

20" AMG multi-spoke alloy wheels – painted titanium grey

AMG-specific radiator grille

AMG specific side skirts painted in the vehicle colour with inserts in silver chrome

Active aerodynamics with AIRPANEL in the front apron plus electrically extending rear spoiler

Bonnet with powerdomes

Front apron in vehicle colour with jet wing and trim strip in silver chrome, front splitter in silver chrome plus large side air intakes with vertical louvres in black

High-performance composite brake system with 390 mm brake disks at front and 360 mm brake discs at rear. Yellow-painted brake calipers

Model designation on the front wings and boot lid

MULTIBEAM LED with Adaptive Highbeam Assist Plus and LED tail lights with sequential turn signals

Sliding sunroof with tinted safety glass, wind deflector, illuminated multifunction switch, movable roof liner and obstruction sensor

Privacy glass

Rear apron in the vehicle colour, lower part with diffuser in high-gloss black and diffuser blade with trim strip in silver chrome plus trapezoidal twin tailpipe trim elements in high-gloss chrome on the left and right

Summer tyres

Trim element on the front wings in high-gloss chrome

Interior

Memory package – driver’s seat, front passenger seat, steering column and exterior mirrors – electrically adjustable with memory; includes electro-pneumatic four-way lumbar support and seat cushion depth adjustment (6 cm)

AMG floor mats with ‘AMG’ lettering

AMG instrument cluster incl. AMG main menu with RACE TIMER, analogue round dials with 225 mph scale and ‘Supersport” display style

AMG Performance steering wheel in DINAMICA microfibre



Interior (continued)

AMG speed-sensitive steering

AMG sports seats in black nappa leather with contrasting topstitching in crystal grey, embossed AMG emblem in the head restraints and bezel in silver chrome with 'AMG' lettering

Ambient lighting – 64 colours – all colours can be selected individually. Eight colour schemes each consist of two colours – the cockpit and the footwell are kept in the same colour, while the centre area of dashboard forms a contrast. The colours are static or slowly replace each other in Dynamic mode to produce a constant change of colour. Special emotively appealing effects: a light show welcomes the driver, and the climate control indicates in colour via the ambient lighting whether a warmer or colder temperature is being set. Adjustable brightness of the LEDs, with 10 levels and three zones: cockpit, front seat area and also entire dimming zone. The internal workings of the air vents are finished in silver chrome and illuminated. Additional illumination of the piping on the dashboard above the trim element and in the doors. Here the coloured piping is replaced by a transparent fibre-optic cable

EASY-PACK tailgate

Heated front and rear seats

Safety and Assistance Systems

AMG three-stage Electronic Stability Programme (ESP®)

Active Lane Keeping Assist, Active Brake Assist, Blind Spot Assist and Traffic Sign Assist

Communications and In-Car Entertainment

AMG TRACK PACE – iOS smartphone app is your ideal tool for a detailed and professional analysis of your own particular driving style

Burmester® surround sound system – 14 high-performance speakers, 10-channel DSP amplifier with a total output of 640 watts (8 × 50 watts and 2 × 120 watts). Front bass technology with subwoofers integrated into the body shell. Vehicle noise compensation (VNC). Sound preset: surround function to generate virtual surround sound, sound optimisation for the front and rear seats supports multi-channel formats for true surround sound

DAB digital radio

Hard disc navigation

MBUX multimedia system – display cluster with two fully digital colour displays and each with a screen diagonal of 12.3-inch

Smartphone integration¹

THERMOTRONIC luxury automatic climate control system – automatic climate control system with three climate zones and three climate styles. The driver and front passenger are able to set the temperature, air distribution and climate style. The third climate zone is in the rear with separately adjustable temperature and airflow

Widescreen cockpit – instrument display and media display as a visual unit beneath a continuous glass cover. Display cluster comprising two fully digital colour displays in a flat screen look, each with a screen diagonal of 12.3 inches and a resolution of 1920 × 720 pixels. Touchscreen variant for the media display. Display styles: 'Classic', 'Sport', 'Progressive' and 'Subtle'

Wireless charging¹ – charges mobile phones which support the Qi standard wirelessly on a charging surface; Near Field Communication (NFC) for quickly connecting to mobile phone

Trim and Upholstery

AMG carbon fibre



Nappa leather – black with contrasting topstitching in crystal grey



¹Compatible mobile phone required



> Book a test drive



> Buy your Mercedes-AMG GT 4-door



> Find a Retailer

Mercedes-AMG GT 63 S 4MATIC+ Premium Plus



Mercedes-AMG GT 63 S 4MATIC+ Premium Plus
Petrol – 3,982 cc, 8-cylinder, 639 hp/470 kW,
AMG SPEEDSHIFT MCT 9-speed sports transmission,
CO₂ 298 g/km^{1,*}

**Basic RRP
excl. VAT**
£119,845.83

**Total RRP
incl. VAT**
£143,815.00

**Road Fund
Licence²**
£2,245.00

**Rec. OTR
price³**
£146,855.00

**P11D
value**
£144,555.00

**BiK tax rate
2021/22**
37%

¹The indicated values were determined according to the prescribed measurement method – Worldwide Harmonised Light Vehicle Test Procedure (WLTP). Figures shown may include options which are not available in the UK

^{*}Figures shown are for comparability purposes; only compare with other cars tested to the same technical procedures. Figures may not reflect real life driving results, which will depend upon a number of factors including factory-fitted options, accessories fitted (post registration), variations in weather, driving styles and vehicle load. Further information about the test used to establish fuel consumption and CO₂ figures can be found at <http://www.mercedes-benz.co.uk/WLTP>

²A different first year rate of Vehicle Excise Duty (Road Fund Licence) applies for new cars

³The recommended on-the-road price includes the Road Fund Licence applicable to the standard model plus delivery charge (£665.00 incl. VAT), new vehicle registration fee (£55.00), fuel (£50.00 incl. VAT), and number plates (£25.00 incl. VAT). VAT is calculated at the standard rate of 20%. Some of the model features, optional extras and colours shown may not be available, or may only be available in a different specification, or at a different price

Some of the model features, optional extras and colours shown may not be available, or may only be available in a different specification, or at a different price



> Book a test drive



> Buy your Mercedes-AMG GT 4-door



> Find a Retailer



Model lines | Mercedes-AMG GT 4-door | MATIC+ Premium Plus

15

Additional-cost options: designo diamond white bright (code 799); Exclusive nappa STYLE leather in macchiato beige/magma grey (code 565A)





The Mercedes-AMG GT 63 S 4MATIC+ Premium Plus further extends the luxury with active multi-contour front seats and dynamic massage function. ENERGIZING package, meanwhile, ensures ultimate well-being: the system interlinks various comfort features such as climate control, seats and heating.

Choose between six carefully-tailored programs for activation or relaxation depending on your preference. As part of the AIR-BALANCE package there is also interior fragrance to complete the luxuriously welcoming atmosphere on board.

In addition/replacement to GT 63 S 4MATIC+ Premium:

Exterior

AMG Night package – air intakes in front apron in high-gloss black; A-wing of AMG front apron in high-gloss black; AMG sports exhaust system with two black chrome-finished twin tailpipe trim elements; exterior mirror housings in high-gloss black, AMG side sill panels and AMG rear apron in high-gloss black

21" AMG cross-spoke forged wheels – painted matt black

Panoramic sunroof – the glass module stretches across the entire roof area, thus creating the impression of a continuous glass area from where the windscreen begins to where the rear window ends. You are protected from strong sunlight by an electric roller sunblind

Soft door close

Summer tyres

Interior

Active multi-contour seats package – active multicontour seats in the front with separately adjustable air chambers which can be set via the multimedia system. Four-way lumbar support with adjustable air chambers. Dynamic driving functions with automatic lateral stability depending on steering angle, lateral acceleration and speed of the vehicle. 14 air chambers enable ENERGIZING massage function featuring eight different programmes with a relaxing, stimulating or mobilising effect, ‘firm’ and ‘gentle’ settings, duration between 12 and 15 minutes. Two of the massage programmes have an additional warming effect modelled on the hot-stone massage principle

AIR-BALANCE package – fragrance generator with perfume flask in glove compartment; improved filter system between intake and distribution system; oxygen ioniser in side air duct

ENERGIZING package – with ENERGIZING comfort programmes:

- training: video instructions
- hints: 3-minute audio information tips for sustained promotion of your health and day-to-day well-being
- seat heating for driver and front passenger
- ENERGIZING COACH
- AIR-BALANCE package for fragrancng, ionisation and filtering of the interior air
- ambient lighting with programme-specific lighting moods

Climatised front seats – three-stage seat ventilation (blue lights) is not switched down or off after a defined period; three-stage seat heating (red lights) with automatically switches down. Both comfort features can be activated separately or in combination

Head-up display

Seat heating plus – pleasant warmth for high seating and ride comfort after just a very short time. In cooler weather or as required, seat heating very quickly brings the seat cushions and backrests up to a pleasant temperature. Three levels of intensity can be selected. Intelligent: the intensity of the seat heating is reduced automatically

Trim and Upholstery

AMG carbon fibre



Nappa leather – black with contrasting topstitching in crystal grey





› Book a test drive



› Buy your Mercedes-AMG GT 4-door



› Find a Retailer

Become the AMG expert

Unleash a new level of performance.

Step into the world of performance and experience the AMG brand at Mercedes-Benz World – from the powerful sound of the engines to the smell of the leather to the unmistakable design of our vehicles.



Mercedes-Benz World invites all Mercedes-AMG customers to a complimentary adrenaline-packed driving experience. Feel the sensational AMG driving performance, develop your driving skills and even try your hand at power-sliding on the Wet Skid Circle. With expert one-to-one guidance from a Driving Specialist in the passenger seat, experience every inch of our Handling Circuits, Dynamic Straight and low friction surfaces.

› [Click here for more information](#)

TERMS AND CONDITIONS

The following customers only are eligible: The first purchaser/registered keeper of a newly registered Mercedes-AMG. The complimentary Training must be booked and taken within 12 months of delivery of your Mercedes-AMG, the Training is offered on specific days only and subject to availability. Upgrades are available for an additional cost, details upon request. Transferable to individuals who reside at the same postal address only. Mercedes-Benz Cars UK Limited reserves the right to amend or withdraw this Training experience. Attendees must hold a full UK driving licence. Attendees will be required to sign the Mercedes-Benz World Driving Risk Acknowledgement prior to undertaking the Training experience. The Training experience is also subject to the Mercedes-Benz World Terms and Conditions, as applicable. Invitation is emailed to the customer post-delivery, permission via the customer contact preferences must be given to enable Mercedes-Benz World to contact. Retailer demonstrator vehicles are not eligible.



Rear Luxury Lounge package (optional)



Individual rear seats with 'AMG' lettering

Turn your vehicle into a business jet on wheels: the high-class rear suite complements the vehicle's outstanding performance with a particularly luxurious interior. Treat your rear passengers with comfortable individual seats, a classy atmosphere and simple access to a comprehensive range of infotainment functions and comfort features.

Rear Luxury Lounge package (code DP5) – designed and priced as a package, including items listed below.

Total incl. VAT £3,000.00

Rear Luxury Lounge package comprises:

Centre console with stowage compartment

Individual rear seats with 'AMG' lettering

Temperature-controlled cup holders (2)

Touchscreen centre display with access to numerous infotainment controls

Preinstallation for entertainment and comfort features

Sidebags in rear

Wireless charging in rear



Wireless charging in rear



Touchscreen centre display

Please note, when selecting upholstery code 565A Rear Luxury Lounge package (code DP5) is also added



AMG Aerodynamics package (optional)



Fixed rear aerofoil in high-gloss black



Diffuser trim in silver chrome

Courtesy of the superb finishing on the AMG Aerodynamics package, the Mercedes-AMG GT 63's performance can be enhanced even further. A larger front splitter, flowing into flics at the air intakes, a fixed rear wing and flics on the front wheel arches all increase downforce pressure. This improves ride characteristics at speed, enhancing lateral acceleration, driving stability and braking distance. The AMG Aerodynamics Package is rounded off by specific side sill attachments that provide a striking, sporty look.

AMG Aerodynamics package (code B26) – designed and priced as a package, including items listed below.

Total incl. VAT £2,495.00

AMG Aerodynamics package comprises:

Deflector elements at side air outlets of the rear wings

Extensively optimised front apron with larger front splitter and additional air deflector elements at the air intakes and the front wheel arches

Fixed rear aerofoil in high-gloss black

Further optimised diffuser integrated in the rear apron



> Book a test drive



> Buy your Mercedes-AMG GT 4-door

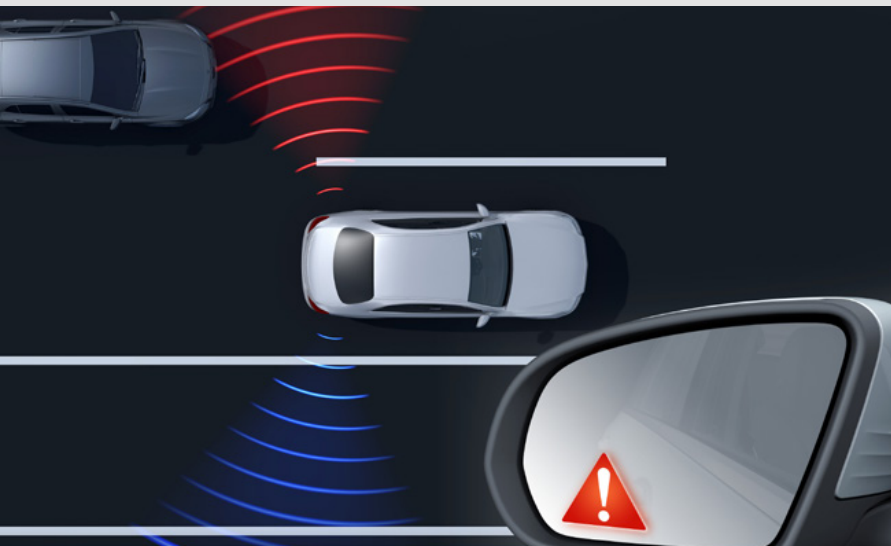


> Find a Retailer

Driving Assistance package (optional)



Active Distance Assist DISTRONIC



Active Steering Assist

The Driving Assistance package contains a range of highly intelligent features to help you stay safe on the road.

Driving Assistance package (code P20) – including items listed below.

Total incl. VAT £1,695.00

Active Distance Assist DISTRONIC controls the distance to vehicles in front up to a speed of 131mph and if necessary brakes the vehicle with up to 50% of the maximum braking power

Active Steering Assist helps the driver keep the vehicle in the centre of its lane on straight stretches of road or slight bends. Reduces the risk of accidents and improves protection for both the occupants and other road users

Active Speed Limit Assist adopts speed limits detected automatically as the new set speed for Active Distance Assist DISTRONIC

Active Braking Assist with Cross-Traffic Function and Congestion emergency braking function can help to avoid or lessen the consequences of accidents with vehicles in front as well as crossing vehicles and pedestrians

Evasive Steering Assist is able to support the driver with making an evasive manoeuvre when, in a situation of danger, he/she decides to avoid a pedestrian who has been detected by the system

Active Blind Spot Assist can warn the driver of vehicles in the blind spot during a lane change and can help to avoid a collision by means of one-sided brake application

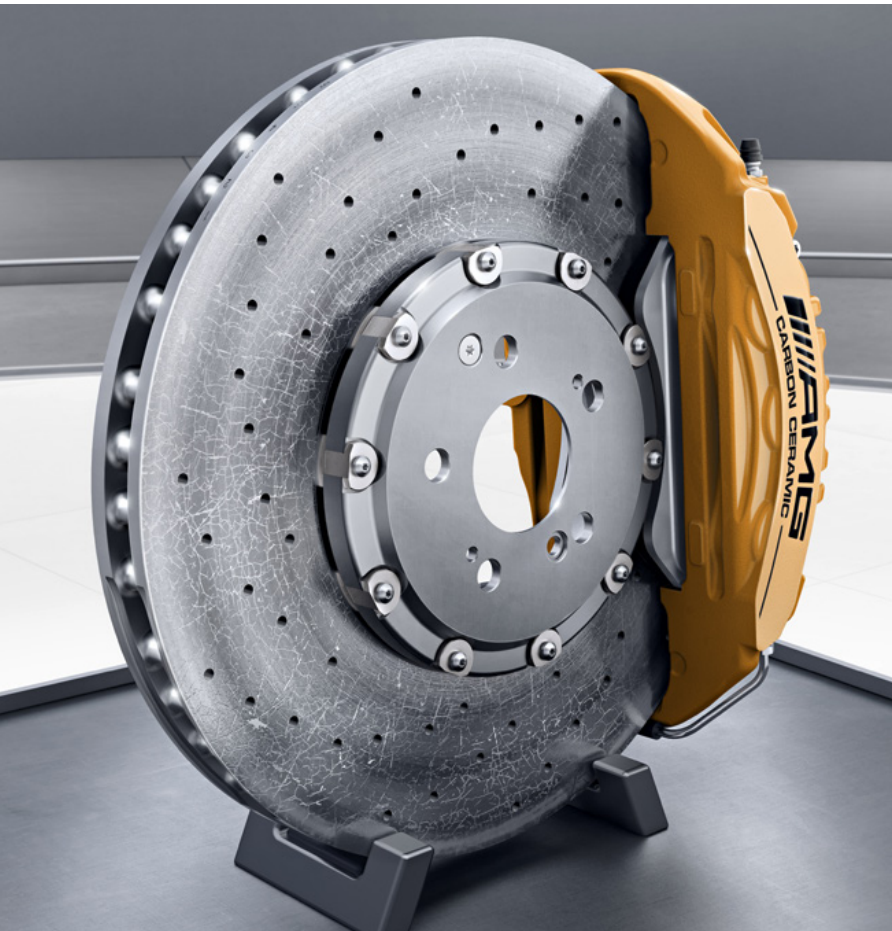
Active Lane Keeping Assist can warn the driver when they unintentionally leave their lane and can use one-sided brake applications to help manoeuvre the vehicle back into its lane (including in the case of broken lane markings if there is a risk of collision)

PRE-SAFE PLUS is able to initiate preventive measures to protect occupants against an impending rear impact, including warning traffic following behind, activating the seat belt tensioners or applying the brakes when the vehicle is stationary

Route-based speed adaptation. Adaption of speed before curves, roundabouts, junctions, toll roads. Allows for smoother and more accurate functionality of several driving assistant systems



AMG high-performance ceramic composite braking system (optional)



Reliability in extreme situations, even after full brake application several times in succession: The AMG ceramic high-performance composite brake system delivers deceleration performance that you can count on even in exceptional situations. It is also lighter than conventional brake systems – less unsprung masses for enhanced driving dynamics and agility.

AMG high-performance ceramic composite braking system (code B07) – designed and priced as a package, including items listed below.

Total incl. VAT £5,995.00

AMG high-performance ceramic composite braking system comprises:

Composite brake discs: 402×39 mm front and 360×32 mm rear

Specially-painted bronze brake calipers with 'AMG Carbon Ceramic' lettering



▶ Book a test drive



▶ Buy your Mercedes-AMG GT 4-door



▶ Find a Retailer

Colours, trim and upholstery





> Book a test drive



> Buy your Mercedes-AMG GT 4-door



> Find a Retailer

Non-metallic and metallic paints (standard and additional-cost options)

Total prices incl. VAT



149 polar white non-metallic

standard



197 obsidian black metallic

£945.00



896 brilliant blue metallic

£945.00



589 jupiter red non-metallic

no-cost option



831 graphite grey metallic

£945.00



> Book a test drive



> Buy your Mercedes-AMG GT 4-door



> Find a Retailer

Special paints (additional-cost options)

Total prices incl. VAT



799 designo diamond white bright

£1,695.00



297 designo selenite grey magno¹

£2,145.00



818 designo graphite grey magno¹

£2,145.00



644 brilliant blue magno¹

£2,145.00

¹designo magno matt paint finishes require extra care. Please refer to the Owner's Manual for instructions

Please note that, owing to limitations of on-screen representation, paint colours may differ from those shown



> Book a test drive



> Buy your Mercedes-AMG GT 4-door



> Find a Retailer

Trim and upholstery (standard)



H73 AMG carbon fibre



801A black nappa leather¹



808A black/magma grey nappa leather¹

no-cost option

¹100% of seat upholstery is pure leather



> Book a test drive



> Buy your Mercedes-AMG GT 4-door



> Find a Retailer

Exclusive nappa leather¹ (additional-cost option)

Exclusive nappa leather refines the entire interior, including roof lining in black DINAMICA microfibre



501A black/black

Total incl. VAT £2,295.00



504A black/truffle brown

Total incl. VAT £2,295.00

¹100% of seat upholstery is pure leather



> Book a test drive



> Buy your Mercedes-AMG GT 4-door



> Find a Retailer

Colours, trim and upholstery | Exclusive nappa leather

27



507A black/red pepper

Total incl. VAT £2,295.00



508A black/magma grey

Total incl. VAT £2,295.00

¹100% of seat upholstery is pure leather



> Book a test drive



> Buy your Mercedes-AMG GT 4-door



> Find a Retailer

Exclusive nappa STYLE leather¹ (additional-cost option)

Exclusive nappa STYLE leather



554A saddle brown/black
designo headlining in black DINAMICA microfibre

Total incl. VAT £2,885.00



565A macchiato beige/magma grey²
designo headlining in macchiato beige DINAMICA microfibre

Total incl. VAT £2,885.00

¹100% of seat upholstery is pure leather ²When selecting upholstery code 565A Rear Luxury Lounge package (code DP5) is added. Also, the steering wheel changes to AMG Performance steering wheel in nappa leather



> Book a test drive



> Buy your Mercedes-AMG GT 4-door



> Find a Retailer

Wheels



RVM 20" AMG alloy wheels (4) – multi-spoke design, painted titanium grey
front 265/40 tyres; 295/35 rear tyres

AMG GT 63 S 4MATIC+ Premium



AMG GT 63 S 4MATIC+ Premium Plus



RWE 21" AMG forged alloy wheels (4) – cross-spoke design, painted matt black
front 275/35 tyres; rear 315/30 tyres

AMG GT 63 S 4MATIC+ Premium



AMG GT 63 S 4MATIC+ Premium Plus





Standard equipment

Item	GT 63 S 4MATIC+ Premium	GT 63 S 4MATIC+ Premium Plus
Transmission and Suspension		
AMG DYNAMIC PLUS package, including dynamic AMG engine mounts, 'RACE' drive program including Drift Mode	●	●
AMG DYNAMIC SELECT including 'Slippery', 'Comfort', 'Sport', 'Sport+' and 'Individual'	●	●
AMG electronic rear axle limited slip differential Complimentary differential oil change required after first 1,800 miles	●	●
AMG RIDE CONTROL sports suspension with adjustable damper system	●	●
AMG rear axle steering	●	●
AMG Performance 4MATIC+	●	●
AMG SPEEDSHIFT MCT 9-speed sport automatic transmission with RACE START function, ECO start/stop function and four transmission modes: 'C' (Comfort), 'S' (Sport), 'S+' (Sport Plus) and 'M' (Manual)	●	●
Active aerodynamics with AIRPANEL in the front apron	●	●
Cruise control with SPEEDTRONIC variable speed limiter	●	●
ECO start/stop function	●	●
Fuel tank – 80-litre	●	●
Lithium-ion battery	●	●
Petrol particulate filter	●	●

Item	GT 63 S 4MATIC+ Premium	GT 63 S 4MATIC+ Premium Plus
Exterior		
AMG Night package	-	●
KEYLESS-GO Comfort package	●	●
Mirror package – heated exterior mirrors on left and right, electrically adjustable from the inside	●	●
Parking package – Active Parking Assist with PARKTRONIC and 360° camera	●	●
AMG Light Display – the projector fitted in the side skirts casts 'AMG' lettering onto the asphalt	●	●
AMG Performance exhaust system, switchable	●	●
AMG-specific radiator grille	●	●
Bonnet with powerdomes	●	●
Extendable rear spoiler	●	●
Front apron in vehicle colour with jet wing and trim strip in silver chrome, front splitter in silver chrome plus large side air intakes with vertical louvres in black	●	-
Heated rear window with timer control	●	●
High-performance composite brake system with 390 mm brake disks at front and 360 mm brake discs at rear	●	●
KEYLESS-GO starting function – engine start at the push of a button	●	●
LED tail lights with sequential turn signals	●	●
Model designation on front wings and boot lid	●	●
MULTIBEAM LED headlights with Adaptive Highbeam Assist Plus	●	●



Standard equipment

31

Item

Exterior (continued)

	GT 63 S 4MATIC+ Premium	GT 63 S 4MATIC+ Premium Plus
Panoramic sunroof	-	●
Privacy glass	●	●
Rear aerofoil - electrically extending	●	●
Rear apron in the vehicle colour, lower part with diffuser in high-gloss black	-	●
Rear apron in the vehicle colour, lower part with diffuser in high-gloss black and diffuser blade with trim strip in silver chrome plus trapezoidal twin tailpipe trim elements in high-gloss chrome on the left and right	●	-
Sliding sunroof	●	-
Soft door close	-	●
Specific side skirts painted in vehicle colour with inserts in silver chrome	●	●
Summer tyres	●	●
'V8 BITURBO' lettering on both front wings	●	●
Windscreen wipers with rain sensor	●	●

Interior

AIR-BALANCE package	-	●
ENERGIZING package	-	●
Memory package - steering column, seats and exterior mirrors electrically adjustable with memory function; four-way lumbar support for driver and passenger with adjustable side bolsters	●	●
12 V socket - in centre console and in load area	●	●

Item

Active multi-contour seats	-	●
Ambient lighting - choice of 64 colour settings	●	●
AMG DRIVE UNIT	●	●
AMG illuminated door sills with 'AMG' lettering and with exchangeable cover	●	●
AMG Performance steering wheel in black DINAMICA microfibre, with flattened bottom section, Touch Control buttons, 12-o'clock marking, 'AMG' lettering, steering wheel gearshift paddles in silver chrome and AMG steering wheel buttons	●	●
AMG sports pedals in brushed stainless steel with rubber studs	●	●
AMG sports seats with embossed AMG emblem in head restraints and bezel in silver chrome with 'AMG' lettering	●	●
Brake calipers with 'AMG' lettering - painted yellow	●	●
Centre armrests - front with stowage	●	●
Climatised front seats	-	●
Cup holders - front (2) and rear (2)	●	●
Electric windows (4) with PRE-SAFE closing function	●	●
Floor mats - AMG floor mats with 'AMG' lettering	●	●
Front seats (2) and rear seats (2)	●	●
Front seats - heated	●	-
Front seats - Seat heating Plus	-	●
Glasses stowage compartment	●	●



Item	GT 63 S 4MATIC+ Premium	
	GT 63 S 4MATIC+ Premium Plus	
Interior (continued)		
Glove compartment – lockable, air-conditioned and illuminated	●	●
Head-up display	–	●
Pull-out sun visors with vanity mirror – illuminated and pivotable to the side window	●	●
Rear seats – heated	●	●
THERMOTRONIC luxury automatic climate control system with three climate zones and three climate styles	●	●
Paint, Trim and Upholstery		
Paint – non-metallic	●	●
Trim – AMG carbon fibre	●	●
Upholstery – black nappa leather	●	●
Roof lining – black fabric	●	●

Item	Standard equipment	
	GT 63 S 4MATIC+ Premium	GT 63 S 4MATIC+ Premium Plus
Security and Safety		
Active Lane Keeping Assist	●	●
Acceleration Skid Control (ASR)	●	●
Active Brake Assist	●	●
Adaptive brake lights	●	●
Airbags – driver and front passenger	●	●
Airbags – front sidebags	●	●
Airbags – kneebags for driver	●	●
Airbags – windowbags	●	●
Alarm system with immobiliser and interior protection (MBSS3)	●	●
Anti-lock braking system (ABS) with Brake Assist (BAS)	●	●
AMG three-stage Electronic Stability Programme (ESP®) with Acceleration Skid Control (ASR)	●	●
ATTENTION ASSIST	●	●
Automatic child seat recognition sensor – works in conjunction with Mercedes-Benz child seats fitted with transponder	●	●
Automatic deactivation of front passenger airbag	●	●
Blind spot assist	●	●
Brake pad wear indicator – front brakes	●	●
Crosswind Assist	●	●



Item	GT 63 S 4MATIC+ Premium	GT 63 S 4MATIC+ Premium Plus
Security and Safety (continued)		
Electric parking brake	●	●
First-aid kit	●	●
ISOFIX child seat (two outer seats)	●	●
Mercedes-Benz emergency call system	●	●
Pedestrian protection	●	●
PRE-SAFE system	●	●
Rear seat belt status indicator	●	●
Remote central locking	●	●
Seat belt pre-tensioners, belt force limiters and automatic belt height adjustment – front and outer rear seats	●	●
Seat belts, black (4)	●	●
Seat belts, rear – three-point (2)	●	●
Service interval indicator ASSYST	●	●
Speed Limit Assist	●	●
TIREFIT with tyre inflation compressor	●	●
Traffic Sign Assist	●	●
Tyre pressure monitoring system	●	●
URBAN GUARD vehicle protection Plus	●	●

Item	GT 63 S 4MATIC+ Premium	GT 63 S 4MATIC+ Premium Plus
Communications and In-Car Entertainment		
AMG instrument cluster	●	●
AMG TRACK PACE	●	●
Burmester® surround sound system	●	●
DAB digital radio tuner	●	●
Digital operating instructions	●	●
Hard disc navigation with three years Live Traffic services	●	●
MBUX multimedia system including “Hey Mercedes” voice activation	●	●
Mercedes me connect (standard services)	●	●
Pre-installtion for car sharing	●	●
Remote Services Premium	●	●
Smartphone integration ¹ – consisting of Apple CarPlay™ only	●	●
Touchpad – integrated into centre console with clear haptic feedback	●	●
USB ports in the rear (2)	●	●
Widescreen cockpit	●	●
Wireless charging system (front) for mobile devices	●	●



Technical data

		Petrol engine
Model		Mercedes-AMG GT 63 S 4MATIC+
Engine		
Total displacement	cc	3,982
Arrangement/cylinders/valves		V/8/32
Power ¹	hp (kW) at rpm	639 (470)/5,500–6,500
Torque ¹ (auto.)	Nm at rpm	900/2,500–4,500
Compression ratio		8.6:1
Emissions standard		Euro 6d-TEMP-EVAP-ISC
Transmission		
AMG SPEEDSHIFT MCT 9-speed sports transmission		●
Tyre sizes		
Front		265/40 ZR20
Rear		295/35 ZR20
Performance		
Acceleration 0–62 mph	sec	3.2
Top speed	mph	196

		Petrol engine
Model		Mercedes-AMG GT 63 S 4MATIC+
Weights and capacities		
Kerb weight ²	kg	2,120
Perm. Gross Vehicle Weight	kg	2,560
Boot capacity	l	461
Fuel tank capacity/of which reserve	l	80/12
Turning circle	m	12.60
Fuel consumption^{3,4,5}		
Combined (consumption dependent on chosen optional equipment)	l/100 km mpg	12.9–13.1 21.9–21.6
Insurance		
Group rating		tba
Insurance ratings may vary depending on model line and specification. Please refer to http://www.thatcham.org/abigrouprating/ for further details		

● Standard ¹Figures according to Directive 80/1269/EEC in the currently applicable version

²Mass of the vehicle in running order with at least 90% full fuel tank, plus the mass of the driver (estimated by law at 75 kg), fuel and fluids, equipped with the standard equipment as specified by the manufacturer as well as, where applicable, the mass of the body, cab, trailer coupling and spare wheel(s) as well as tools. Optional extras, additional equipment and accessories can influence the weight, residual payload, rolling resistance, aerodynamics, etc., and therefore also affect the consumption/CO₂ values

³All figures are based on a standard specification with the smallest tyre size ⁴The choice of wheels and transmission may affect CO₂ emissions and corresponding Road Fund Licence

⁵The indicated values were determined according to the prescribed measurement method – Worldwide Harmonised Light Vehicle Test Procedure (WLTP). Figures shown may include options which are not available in the UK

Figures shown are for comparability purposes; only compare with other cars tested to the same technical procedures. Figures may not reflect real life driving results, which will depend upon a number of factors including the starting charge of the battery, factory-fitted options, accessories fitted (post registration), variations in weather, driving styles and vehicle load. Further information about the test used to establish fuel consumption and CO₂ figures can be found at <http://www.mercedes-benz.co.uk/WLTP>



> Book a test drive

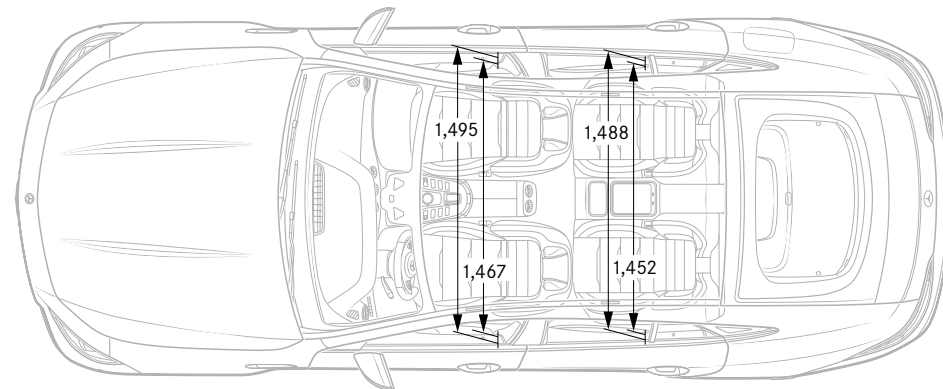
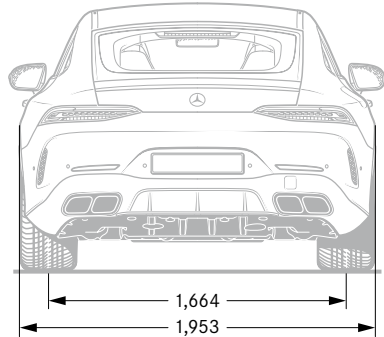
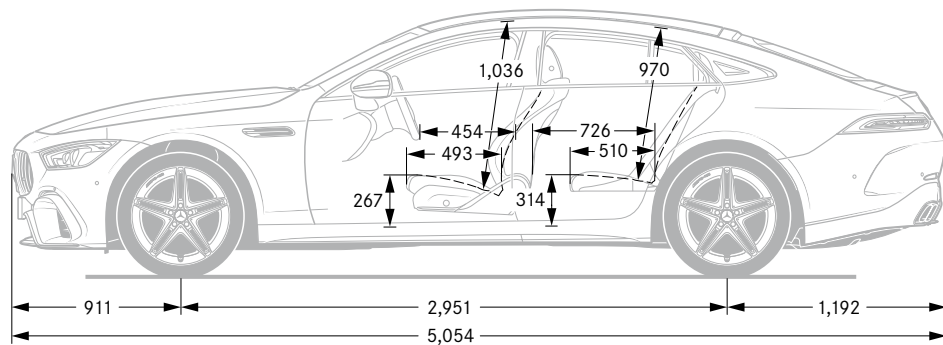
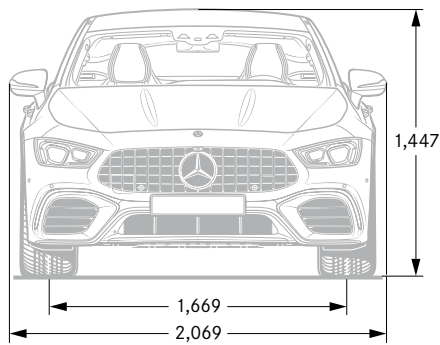


> Buy your Mercedes-AMG GT 4-door



> Find a Retailer

Mercedes-AMG GT 63 S 4MATIC+



All measurements in millimetres. The dimensions shown are mean values and apply to standard-specification, unladen vehicles. Wheels shown not representative of actual UK model. The figures on pages 34-35 are correct at time of publication



Road Fund Licence



All road vehicle registrations are subject to Vehicle Excise Duty (Road Fund Licence), which varies in accordance with the vehicle's CO₂ emissions. A first year rate for each taxation band will apply. The table below shows the bands (A-M) created by the DVLA and the corresponding Road Fund Licence. CO₂ emissions and the relevant Excise Duty are shown on the model pricing pages 10 and 14.

Band	CO ₂ emissions (g/km)	First year rate petrol and RDE2 diesel (£)	First year rate all other diesel (£) ¹	First year rate alternative fuel (£)	Electric vehicles		Alternative fuel vehicles		Petrol/diesel vehicles	
					Standard rate (£)	Premium rate (£) ²	Standard rate (£)	Premium rate (£) ²	Standard rate (£)	Premium rate (£) ²
A	0	0.00	0.00	0.00	0.00	0.00	0.00	0.00	0.00	0.00
B	1 to 50	10.00	25.00	0.00	0.00	0.00	145.00	480.00	155.00	490.00
C	51 to 75	25.00	115.00	15.00	0.00	0.00	145.00	480.00	155.00	490.00
D	76 to 90	115.00	140.00	105.00	0.00	0.00	145.00	480.00	155.00	490.00
E	91 to 100	140.00	160.00	130.00	0.00	0.00	145.00	480.00	155.00	490.00
F	101 to 110	160.00	180.00	150.00	0.00	0.00	145.00	480.00	155.00	490.00
G	111 to 130	180.00	220.00	170.00	0.00	0.00	145.00	480.00	155.00	490.00
H	131 to 150	220.00	555.00	210.00	0.00	0.00	145.00	480.00	155.00	490.00
I	151 to 170	555.00	895.00	545.00	0.00	0.00	145.00	480.00	155.00	490.00
J	171 to 190	895.00	1,345.00	885.00	0.00	0.00	145.00	480.00	155.00	490.00
K	191 to 225	1,345.00	1,910.00	1,335.00	0.00	0.00	145.00	480.00	155.00	490.00
L	226 to 255	1,910.00	2,245.00	1,900.00	0.00	0.00	145.00	480.00	155.00	490.00
M	over 255	2,245.00	2,245.00	2,235.00	0.00	0.00	145.00	480.00	155.00	490.00

¹Applies to all Mercedes-Benz diesel models which do not comply with Real Driving Emissions step 2 (RDE2)

²Premium rate only applicable to vehicles where the list price is over £40,000 including any factory-fitted options, standard UK delivery charge and VAT



Services and insurance

Mercedes-Benz ServiceCare

We believe that servicing costs should be as flexible and affordable as possible for your Mercedes-AMG GT, which is why we offer ServiceCare, an easy way to budget for all your servicing costs. It spreads your bills into manageable payments based on whether you have a new or used Mercedes-Benz.

With ServiceCare we guarantee the price of parts and labour for up to four services and safeguard against any further inflation. It also covers the cost of all recommended service items including brake fluid, spark plugs, air filters, fuel filters and screen wash.

You can choose either to add your servicing costs into your monthly spend or pay the full amount in a one-off payment, giving you peace of mind that they are taken care of for the period of the plan.

To receive a personalised ServiceCare plan recommendation visit the ServiceCare Calculator at servicecarerates.mercedes-benz.co.uk

Warranty and breakdown cover

Every Mercedes-Benz comes with a three-year unlimited mileage warranty against manufacturing or material defects¹ and up to 30 years warranty against perforation due to corrosion from the inside out.² What's more, it's also covered by Mercedes-Benz Roadside Assistance – a unique package comprising up to 30 years pan-European breakdown assistance.²

Motor Insurance

We know that once you have chosen your Mercedes-Benz you can't wait to drive it – that's why we created First Cover³. It gives you 7 days' free comprehensive Motor Insurance when you buy a new or used vehicle from a Mercedes-Benz Retailer. We will also send you a quote for annual cover, so you can enjoy the same peace of mind all year round.

For more information or to apply for First Cover, click [here](#).

¹Applies to vehicles sold by Mercedes-Benz in the UK to its franchised Retailers ²Subject to full Terms and Conditions, dependent on date of registration, available upon request Mercedes-Benz Motor Insurance is underwritten by Aviva Insurance UK Limited. Credit provided, subject to status, by Mercedes-Benz Financial Services UK Ltd, MK15 8BA ³For joint protection, calls may be recorded and/or monitored. All calls charged at local rate. We may decline to quote in some circumstances ³Terms and Conditions apply. We are an independent intermediary dealing with selected insurers in respect of annual insurance



Mercedes-Benz Finance

Why should you finance with Mercedes-Benz?

At Mercedes-Benz we believe a great driving experience should be matched by an equally great ownership experience. That is why we put just as much thought, time and effort into designing our finance options, our service plans and our insurance cover as we do into our vehicles.

We are not in the business of simply providing a loan to fund the purchase of your dream vehicle. We look on it as a journey that we take with you, from the moment you choose your new Mercedes-Benz, to helping you in choosing your next one.

If you would like to find out more about any of our current offers, simply call into your local Mercedes-Benz Retailer where one of our Business Managers will be more than happy to talk you through anything you need to know.

Helping you find the right solution.

You should find our finance packages are more convenient than a traditional personal loan because:

- Funds are immediately available – no waiting for cheques or loans to clear.
- There is no security required – either against your home or other assets.
- We have clear and transparent rates – the APR we quote is the APR you get.
- We have friendly Business Managers – experts in vehicle finance who can talk you through all of your plans in detail.

One of our most popular finance products is Mercedes-Benz Agility (our Personal Contract Purchase product). We also offer Contract Hire, Operating Lease and Hire Purchase solutions. If you would like to find out more about these speak to your Retailer or visit www.mercedes-benz.co.uk/fandi.

Mercedes-Benz Agility (our PCP product).

At the start of an Agility agreement, you put down a deposit and decide the term of your agreement and your annual mileage. You will be advised of the Guaranteed Future Value, which offers you the reassurance of knowing exactly what you will need to pay to own the vehicle outright in the future (this is known as the Optional Purchase Payment).

Throughout your agreement you simply pay your agreed monthly payments and when the agreement comes to an end you either purchase, hand back or part-exchange your vehicle.





Agility features:

- Fixed regular payments mean you can easily budget.
- Payments are based only on a proportion of the vehicle's value, keeping your monthly payments lower.
- Our Guaranteed Future Value avoids the risk of unplanned depreciation of your vehicle.
- You defer your ownership decision until the end of the agreement.

At the end of your agreement you have three options to choose from.

Option 1: Purchase your Mercedes-Benz.

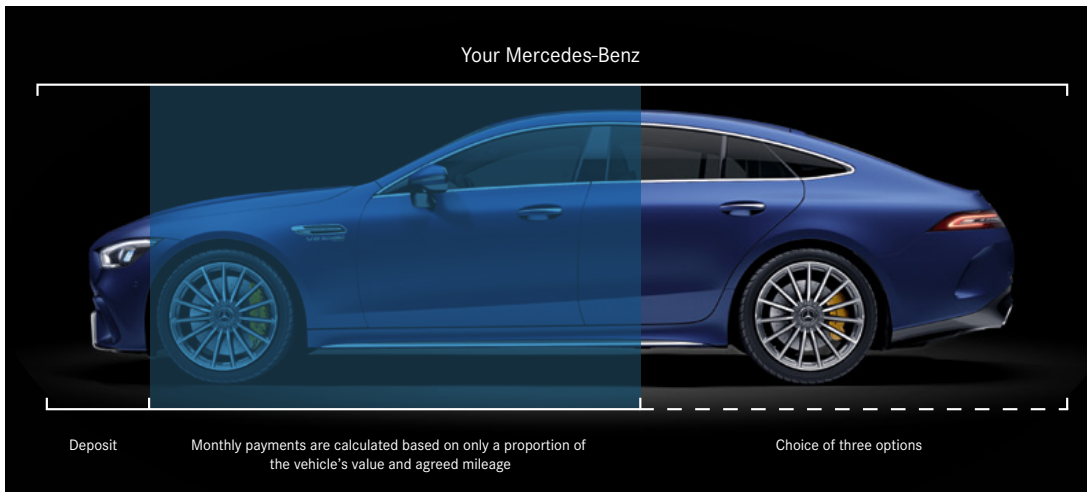
Purchase your Mercedes-Benz by paying the Optional Purchase Payment and Purchase Activation Fee.¹ This will complete the purchase of your Mercedes-Benz, leaving you free to simply enjoy your vehicle.

Option 2: Hand back your Mercedes-Benz.

If you decide to return your vehicle to us, it must be in line with our Vehicle Return Standards,^{*} as vehicle condition, excess mileage and other charges may be payable.

Option 3: Part-Exchange for a new vehicle.

Purchase your Mercedes-Benz by paying the Optional Purchase Payment and Purchase Activation Fee.¹ This will complete the purchase of your Mercedes-Benz, leaving you free to part-exchange for a new vehicle.



¹Please note the 'Purchase Activation Fee' of £10 will be debited from your account ^{*}To find out more information about our Vehicle Return Standards please visit <http://mercedes-benz.co.uk/vrs>



➤ [Book a test drive](#)





➤ [Buy your Mercedes-AMG GT 4-door](#)





➤ [Find a Retailer](#)

Follow us on the following social media channels:

 facebook.com/mercedesbenzuk

 twitter.com/mercedesbenzuk

 youtube.com/mercedesbenzuk

 instagram.com/mercedesbenzuk

Effective from December 2020 Production. Information correct at time of publication 01.07.2021.

Prices and specifications are subject to change without prior notice.

MBCR190PL/1221 MY801.5

Mercedes-Benz Cars UK Limited, Tongwell, Milton Keynes, MK15 8BA. Company number 2448457. www.mercedes-benz.co.uk