



Toyota
Professional



PROACE CITY

PEACE OF MIND COMES AS STANDARD

We know it's more than just a business to you. It's your life, it's who you are. We know you need to have 100% trust in your tools so you can do your job brilliantly for your customers. That's why Toyota Professional is here to support you, to always have your back. To make sure you don't ever have to let your customers down.

With the new Proace City joining the Proace, Land Cruiser and legendary Hilux, Toyota now have the complete range of commercial vehicles to power your business and suit the needs of your trade.





CONTENTS

2 Commercial vehicle
range
4 Introduction
6 Payload overview
8 Payload practicality
10 Smart Cargo
12 Interior comfort

14 Connectivity
16 Performance & agility
18 Safety
20 Grades
24 Accessories
26 Wheels, Trim & Body
Colours

28 Model availability
29 Specifications
34 Equipment
38 Service & peace of mind

BUILT AROUND YOU AND YOUR BUSINESS



Compact and more than capable, Proace City is designed to perfectly meet your business needs. Delivering excellent payload (up to 1 tonne) and load capacity (up to 4.3m³). Driver support is available with reversing camera, an optional safety pack and Pro-Touch infotainment. Practicality is guaranteed with Smart Cargo* loading facility in combination with the mobile office that converts the cab into a working space.



Panel Vans
Available in short and long wheelbase.

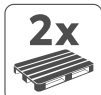
* Optional on Active, standard on Icon.



1

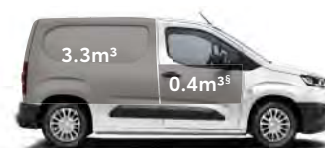
Model shown is Icon short wheelbase.

THE COMPACT VAN THAT THINKS BIG



Functional, versatile and accessible, the new Proace City is the perfect urban van. With outstanding loading length and generous loading volume, both long and short wheelbases can accommodate two Euro pallets*.

With a payload capacity of up to 1 tonne and a towing capacity of up to 1.5 tonne whether you are moving weight or needing space, you will be able to get the job done.



Panel Van

Short wheelbase offers up to 3.1m load length and up to 3.7m³ volume.



Panel Van

Long wheelbase increases that to up to 3.4m load length and up to 4.3m³ volume.

1. Rear door options

Double opening rear doors.

* Euro 1 pallet size.

§ Additional capacity with Smart Cargo.

° With Smart Cargo; optional on Active, standard on Icon.

SIMPLY PRACTICAL

Designed to make your business easy, Proace City loves the urban environment thanks to its compact size and clever design. Your cargo will always be accessible via the swinging rear doors and twin side loading doors. Load capacity and length can be easily increased with the Smart Cargo system*: overall load length up to an additional 1.3m and cargo capacity by 0.4m³.



Load-securing hooks

Secure the cargo and reduce the risk of damage when in transit.

* Optional on Active as part of the Smart Cargo pack.

Easy-access sliding doors

Easy access with sliding side doors, even in tight spaces.





Model shown is Icon short wheelbase.



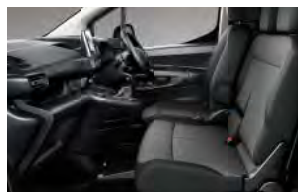
Model shown is Icon short wheelbase.

EXTRA SPACE WHEN YOU NEED IT



3 front seats*

The flat floor and bench seat provide seating for up to three.



Mobile office*

The integrated table on the folding central seat can be angled towards either passenger or driver.

Proace City offers the flexibility that businesses need, with a range of interiors to cater for every trade. The Smart Cargo system creates additional load length and carrying capacity with an ingenious hatch in the bulkhead for transporting longer loads.

The clever folding middle front seat creates a handy work surface, ideal for laptops and tablets, whilst under-seat storage accommodates all your essentials, out of sight.

There's a choice of two[§] or three front seats.

1. Opening hatch in bulkhead

Increases load length by 1.3m and volume by 0.4m³.

Smart Cargo hatch: 612(h) x 298(w) mm.

* Optional as part of the Smart Cargo pack.

§ Only available on Active without Smart Cargo pack.

Image shown may not reflect UK specification.



Model shown is Icon long wheelbase.

COMFORT ZONE AT WORK



5.9-litre front door storage
Deep and wide, in the large door pockets you keep all essentials within close reach.



Dashboard open and closed storage*
The convenience of open storage and the security of closed storage ensures you can find everything you need in a second.



Overhead storage
Clever solutions maximise the space with overhead storage.

1. In-floor storage
Safely out of sight, but easily at hand.

Combine business with pleasure: Proace City is designed to keep you comfortable however long you spend behind the wheel.

Expansive cabin space, a well organised dashboard and supportive seats ensure you travel in comfort throughout the day.

* Active has closed upper passenger and open driver storage compartments.
Icon has closed upper passenger and driver storage compartments.

TECHNOLOGY WORKING FOR YOU EVERY MINUTE

With voice activation and touch screen technology Proace City offers the latest in multimedia and connectivity*. More than just audio, its 8" screen delivers an intuitive and engaging experience that allows you to access smartphone features including Smartphone Integration with MirrorLink®, Apple CarPlay™ with Siri assist, Android Auto™ with Google assistant and Bluetooth®.



Pro Touch

Complete with Toyota Connected Services, featuring real-time traffic, TomTom places, local weather, car parks, petrol stations and points of interest.



Toyota Connect (Apple CarPlay™ and Android Auto™)

Plug in, and Toyota Connect will mirror your smartphone. Music and phoning are now even simpler.



eCall emergency call system

Connect with emergency services if the vehicle is involved in a serious accident.

* Standard on Icon only.



Model shown is Icon long wheelbase.

FIND YOUR BEST FIT

At Toyota we know that every business is unique and that choice is important, which is why we offer two diesel powertrains producing between 75 and 100 DIN hp. With outstanding fuel economy Proace City has the powertrain to perfectly match your business needs in a cost-effective way.

Diesel

1.5 (75 hp) Manual

Power **75 DIN hp**

Fuel consumption* **49.5–51.3 mpg**

CO₂ emissions* **144 g/km**

0–62 mph **15.8 seconds**

Available on **All grades**

Diesel

1.5 (100 hp) Manual

Power **100 DIN hp**

Fuel consumption* **46.3–49.5 mpg**

CO₂ emissions* **147–149 g/km**

0–62 mph **11.5 seconds**

Available on **All grades**



* Combined cycle.



Model shown is Icon short wheelbase.

SAFETY

Optional safety features* include an advanced Pre-Collision System, Road Sign Assist, Lane Departure Alert with Steering Control, Cruise Control and Driver Attention Alert. You can be sure that Proace City has you covered.

In addition to the above, the optional Toyota safety pack includes a Thatcham approved category 1 alarm.

Toyota Safety Sense + Alarm

Pre-Collision System

Pre-Collision System uses a camera and laser to detect other vehicles in the road ahead. When the possibility of collision is detected the driver is alerted with audio and visual warnings and brake assistance is activated.

Road Sign Assist

Road Sign Assist monitors the road signs ahead, displaying information such as the current speed limit or overtaking restrictions in clear view on the TFT cockpit display. The system provides a visual and acoustic warning if you are not following the road sign indication.

Driver Attention Alert

This function monitors the vehicle's position within the lane and the driver's steering in order to detect vehicle sway, which tends to occur when the driver's ability to concentrate deteriorates due to drowsiness, inattention or distraction.

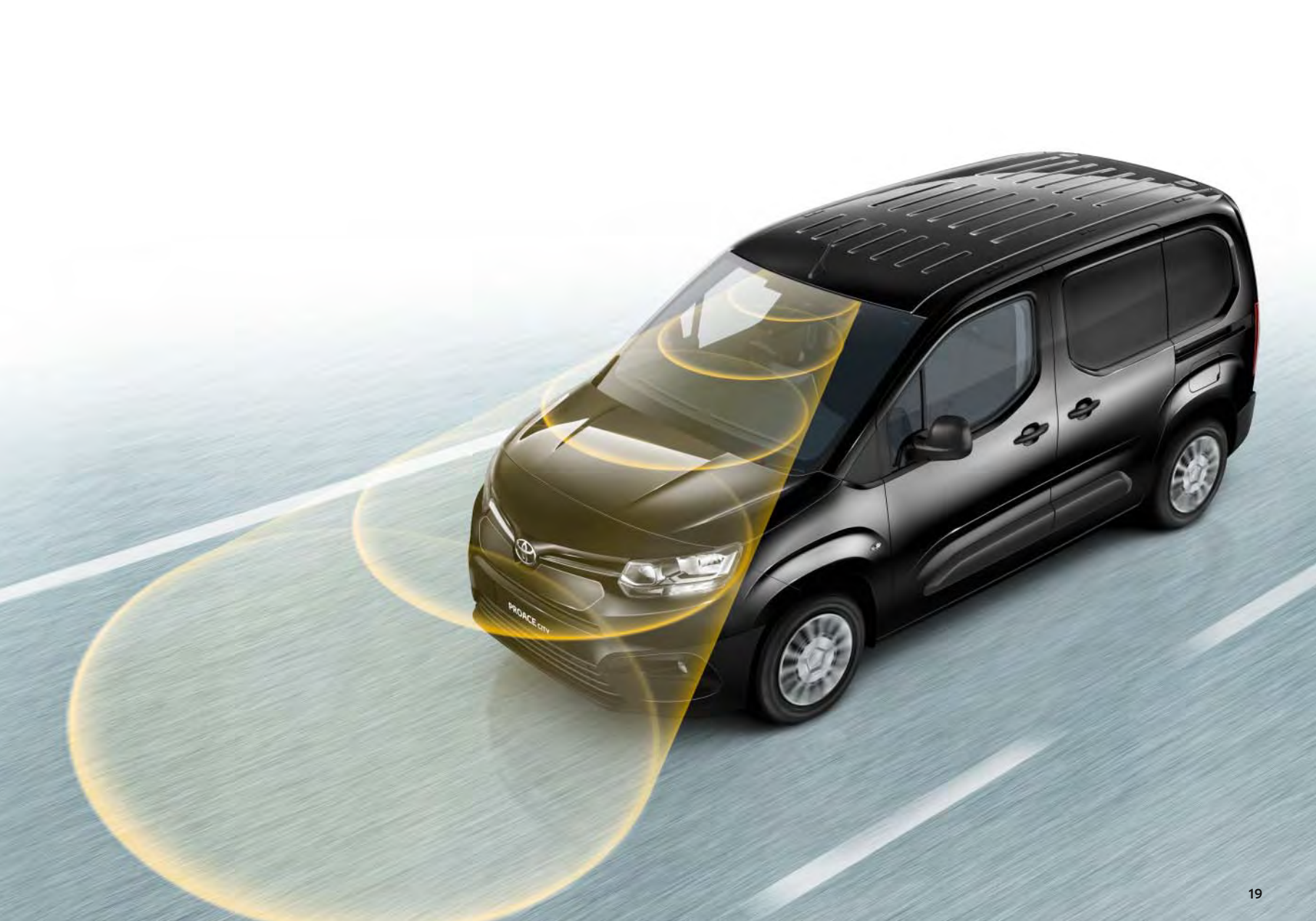
Lane Departure Alert with Steering Control

Using a camera to detect the lane markings in the road ahead, Lane Departure Alert will give the driver audible and visual warnings if the vehicle starts to deviate from its lane without the turn indicator being applied and corrects unintentional lane departure.

Alarm with tilt sensor (Thatcham approved category 1)

This Thatcham approved alarm is optional on the Icon grade, providing an additional level of security for your van.

* Only optional on Icon grade.



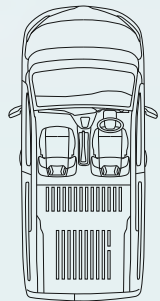
ACTIVE GRADE



Short wheelbase Panel Van



Short wheelbase Panel Van



Short wheelbase

PANEL VAN

Main features

- Full size temporary spare wheel
- Auto headlights
- Electrically heated door mirrors
- Manually retractable door mirrors
- Panel rear wing doors (180° opening)
- Two sliding side doors
- Tyre Pressure Warning System (TPWS)
- Dark Grey Fabric
- Bluetooth® connectivity
- Manual air conditioning
- Electric front windows – one touch auto up & down function
- Rubber floor in cargo area
- Panel bulkhead



Optional Features

- Smart Cargo
- Smart Cargo + Tow Bar*
- Premium Ply-Lining – Short (Plywood sides & door panel ONLY)
- Seat Covers
- Rubber Floor Mats

* Tow Bar only available on 1,000kg Active.



15" steel wheels on 75 hp engine



16" steel wheels on 100 hp engine

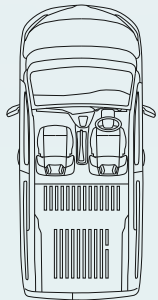
ICON GRADE



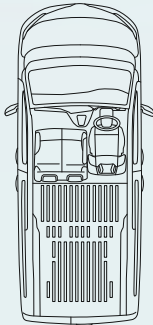
Long wheelbase Panel Van



Short wheelbase Panel Van



Short wheelbase



Long wheelbase

PANEL VAN

Main features (additional to Active)

- Auto wipers
- Power-retractable door mirrors
- Front parking sensors
- Rear parking sensors
- Reversing camera
- Cruise control
- Smartphone Integration incl Apple CarPlay™ & Android Auto™
- Electronic parking brake
- Manually height-adjustable driver seat
- Manually reclining front passenger seat
- Manually sliding front passenger seat
- Smart Cargo Optional Features



Optional Features

- Tow Bar
- Toyota Safety Sense + Alarm
- Toyota Safety Sense + Alarm + Tow Bar
- Premium Ply-Lining – Short or Long
(Plywood sides & door panel ONLY*)
- Seat Covers
- Rubber Floor Mats

* All vehicles come with Rubber floor protection in Cargo area as standard.



16" steel wheels with wheel caps
(5-triple-spoke)

ACCESSORIES

Toyota accessories give you choices for customising the interior of your Proace City. There are options for protection and security to suit a wide range of business needs.



Premium Ply*



Rubber floor mats



Cargo Lock



Cargo Lock

Roof platform



* Ply flooring not included due to standard fit cargo liner from factory.



Roof bars



Cargo Lock

Choice of options and accessories fitted (pre-registration) may affect the official CO₂ figures.



Tow bar

WHEELS, TRIM & BODY COLOURS

1. 15" steel wheels

Standard on Active with
75 hp engine



2. 16" steel wheels

Standard on Active with
100 hp engine



3. 16" steel wheels with wheel caps (5-triple-spoke)

Standard on Icon



Dark grey fabric



EWP Vivid White



EVL Falcon Grey*




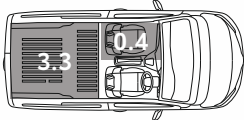
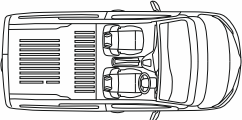

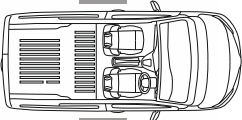

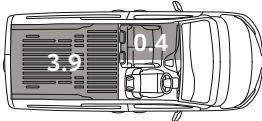
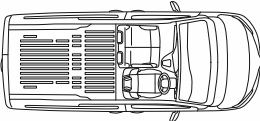
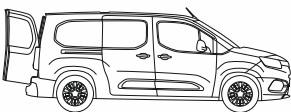
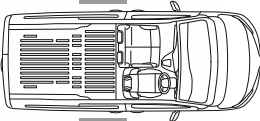
EXY Storm Black



KCA Silver Shadow*

* Metallic paint.

SPECIFICATIONS

MODEL AVAILABILITY	2/3 SEATS LOAD CAPACITY (m ³) (Smart Cargo + 0.4m ³)	2/3 FRONT SEATS	REAR SWING OUT DOOR	SIDE DOOR 2-SIDES
 <p data-bbox="74 375 280 395">SHORT WHEELBASE</p>				
 <p data-bbox="74 577 269 597">LONG WHEELBASE</p>				

ENVIRONMENTAL PERFORMANCE	Diesel	Diesel
	1.5 Diesel (75 hp) Manual	1.5 Diesel (100 hp) Manual
CO ₂ combined WLTP (g/km)	144	147–149
Fuel economy – combined max WLTP (mpg)	49.5–51.3	46.3–50.4
Combined CO ₂ (g/km)	109	108
Urban CO ₂ (g/km)	118	116
Extra urban CO ₂ (g/km)	104	103/104
Fuel tank capacity (l)		53
Euro class	EURO 6 AN	EURO 6 AN
Carbon monoxide, CO (mg/km)	66.1	67.5
Hydrocarbons, THC & Nitrogen Oxides, NO _x (mg/km)	50.9	45.3
Nitrogen Oxides, NO _x (mg/km)	28.5	22.9
Sound level drive by (dB(A))	68	68

Quoted mpg and CO₂: Figures are provided for comparability purposes; only compare fuel consumption and CO₂ figures with other cars tested to the same technical procedures. These figures may not reflect real life driving results. For more information on WLTP and specific vehicle types see www.toyota.co.uk.

ENGINE

Engine code	5WZ-LV	5WZ-TV
Number of cylinders	4, in line	4, in line
Fuel injection system	Common rail, diesel direct injection	Common rail, diesel direct injection
Displacement (cc)	1499	1499
Bore x stroke (mm x mm)	75.0 x 84.8	75.0 x 84.8
Maximum output (kW@rpm)	56/3500	75/3500
Maximum output (DIN hp)	75	100
Maximum torque (Nm@rpm)	230/1750	250/1750

SPECIFICATIONS

Diesel

1.5 Diesel (75 hp) Manual

Diesel

1.5 Diesel (100 hp) Manual

TRANSMISSION

Transmission type	Manual	Manual
Gear 1	0.289	0.289
Gear 2	0.535	0.535
Gear 3	0.897	0.897
Gear 4	1.314	1.314
Gear 5	1.741	1.741

PERFORMANCE

Maximum speed (mph)	94	106
Acceleration 0–62 (mph) (sec).	15.8	11.5

SUSPENSION

Front	Pseudo MacPherson	Pseudo MacPherson
Rear	Deformable crossbeam	Deformable crossbeam

BRAKES

Front	Ventilated disc	Ventilated disc
Rear	Disc	Disc

EXTERIOR DIMENSIONS**Short Panel Van****Long Panel Van**

Exterior length (mm)	4403	4753
Exterior width (mm)	1848	1848
Exterior height (mm)	1880	1880
Front tread (mm)	1548	1553
Rear tread (mm)	1568	1549
Overhang front (mm)	892	892
Overhang rear (mm)	726	886
Wheelbase (mm)	2785	2975

INTERIOR DIMENSIONS**Diesel****1.5 Diesel (75 hp) Manual****Diesel****1.5 Diesel (100 hp) Manual**

Number of seats	2/3	3
Interior length (mm)	3090	3440
Interior width (mm)	1229	1229
Interior height (mm)	1200	1200

SPECIFICATIONS

LUGGAGE VOLUME

Short Panel Van

Long Panel Van

Deck length (mm)	1817	2167
Deck width (mm)	1527	1527
Deck height (mm)	1200	1200
Load volume with Smart Cargo (2 seats, m ³)	3.8	4.4
Loading length with Smart Cargo (2 seats, mm)	3090	3440
Load volume (m ³)	3.3	3.9

OFF ROAD

Short Panel Van

Long Panel Van

Min. running ground clearance (mm)	145/160	160
------------------------------------	---------	-----

WEIGHTS & TOWING CAPACITY

Diesel

1.5 Diesel (75 hp) Manual

Diesel

1.5 Diesel (100 hp) Manual

Gross train weight – total (kg)	3200	3345 [*] /3365 [§] /3375 [°]
Gross vehicle weight – total (kg)	1970	2345 [*] / 2365 [§] /2375 [°]
Kerb weight / unladen weight (kg)	1320–1549 ^{**} /1320–1551 ^{§§}	1347–1569 [*] /1367–1587 [§] /423–1614 [°]
Payload (kg)	650	950
Maximum trailer weight – braked (kg)	1230	1000
Maximum trailer weight – unbraked (kg)	690	710/720/740
Gross vehicle weight – front (kg)	1110	1200
Gross vehicle weight – rear (kg)	1075	1400

WHEELS

Active

Icon

15" steel wheels – (Active 75hp)	●	–
16" steel wheels – (Active 100hp)	●	–
16" Black steel wheels with wheel caps (5-triple-spoke)	–	●
Full size temporary spare wheel	●	●

● = Standard ○ = Optional

– = Not available

* Standard L1 100 hp vehicle.

§ With Smart Cargo (standard on Icon and optional on Active).

° L2 vehicles.

** Vehicles with Smart Cargo.

§§ Vehicles without Smart Cargo.



1548 / 1553 mm

1848 mm



1796 / 1880 / 1812 mm



726 / 886 mm

2785 / 2975 mm

892 mm

4403 / 4753 mm



1568 / 1549 mm

1848 mm

EQUIPMENT

EXTERIOR STYLING

Active

Icon

Black door handles	●	●
Black door mirrors	●	●
Black front bumper	●	●
Black rear bumper	●	●
Black upper front grille	●	●

EXTERIOR COMFORT

Active

Icon

Auto headlights	●	●
Auto wipers	–	●
Power-adjustable door mirrors	●	●
Electrically heated door mirrors	●	●
Manually retractable door mirrors	●	–
Panel rear wing doors (180° opening)	●	●
Power-retractable door mirrors	–	●
Two sliding side doors	●	●

INTERIOR STYLING

Active

Icon

Electronic parking brake	○*	●
Open tray on passenger dashboard	●	●

INTERIOR COMFORT

Active

Icon

Manual air conditioning	●	●
2-seater front passenger bench	○*	●
Individual front passenger seat	●	–
Anti-jam protection on power windows	●	●
Audio switches on steering wheel	–	●
Boot light	●	●
Driver & front passenger personal lights	●	●

INTERIOR COMFORT**Active****Icon**

Dynamic guide lines on reversing camera	–	●
Front power windows	●	●
Manually height-adjustable driver seat	○*	●
Manually reclining front passenger seat	○*	●
Manually sliding front passenger seat	○*	●
Mirror on driver sun visor	●	●
Pollen air filter	●	●
Electric front windows – one touch auto up & down function	●	●
Monochrome multi-information display	●	●
3.5" Colour multi-information display	–	○ [§]

STORAGE**Active****Icon**

0.5 litre bottle holder	●	●
Front bottle holders	●	●
Smart Cargo	○*	●
Smart Cargo – mobile office	○*	●
In-floor storage box	●	●
Rubber floor in cargo area	●	●
Cargo deck load hooks x 6	●	●

MULTIMEDIA**Active****Icon**

2 speakers	●	●
Bluetooth® connectivity	●	●
Digital Audio Broadcasting (DAB)	●	●
USB & Aux-in connector	●	●
8" Multimedia screen with Smartphone Integration incl Apple CarPlay™ & Android Auto™	–	●
MyT Connected Services	●	●

● = Standard ○ = Optional – = Not available

* Smart Cargo pack.

[§] Toyota Safety Sense & Alarm pack.

EQUIPMENT

SAFETY	Active	Icon
Front parking sensors	–	●
Rear parking sensors	–	●
Reversing camera	–	●
Adjustable Speed Limiter (ASL)	–	●
Anti-lock Braking System (ABS) with Electronic Brake force Distribution (EBD)	●	●
Brake Assist (BA)	●	●
Cruise control	–	●
Daytime running lights	●	●
Downhill Assist Control (DAC)	●	●
eCall emergency call system	●	●
Front fog lights	–	●
Hill-start Assist Control (HAC)	●	●
Tyre Pressure Warning System (TPWS)	●	●
Vehicle Stability Control (VSC)	●	●
Supplemental Restraint System (SRS) airbags – 2 airbags	●	●
Panel bulkhead	●	●
Pre-Collision System	–	○*
Road Sign Assist (RSA)	–	○*
Lane Departure Alert (LDA) with Steering Control	–	○*
Driver Attention Alert	–	○*
Anti-tamper & Intrusion alarm	–	○*
Glass-breaking sensors	–	○*
Immobiliser	–	○*
Motion sensors	–	○*

PERFORMANCE**Active****Icon**

Stop/Start engine	●	●
Payload – 650 kg (75hp engine only)	●	●
Payload – 950 kg (100hp engine) Long Wheel Base	–	●
Payload – 1,000kg (100hp engine) Short Wheel Base	●	●

PACKS**Active****Icon**

Smart Cargo: Smart Cargo, Electronic Parking brake, manually height adjustable drivers seat with lumbar support, manually reclining & sliding 2-seater front bench	○	●
Smart Cargo + Tow Bar: Smart Cargo, Electronic Parking brake, manually height adjustable drivers seat with lumbar support, manually reclining, sliding 2-seater front bench & tow bar	○ [§]	–
Tow Bar	–	○
Toyota Safety Sense + Alarm: Pre-Collision System, Road Sign Assist (RSA), Lane Departure Alert (LDA) with steering control, 3.5" colour multi-info display, Driver Attention Alert, Immobiliser and Alarm (Intrusion, Anti-tamper, Glass-breaking & Motion sensor)	–	○
Toyota Safety Sense + Alarm + Tow Bar: Pre-Collision System, Road Sign Assist (RSA), Lane Departure Alert (LDA) with steering control, 3.5" colour multi-info display, Driver Attention Alert, Immobiliser, Alarm (Intrusion, Anti-tamper, Glass-breaking & Motion sensor) & tow bar	–	○
Standard Ply-Lining – Short (Plywood sides & door panel ONLY [¶])	○	○
Standard Ply-Lining – Long (Plywood sides & door panel ONLY [¶])	–	○
Seat Covers	○	○
Rubber Floor Mats	○	○

● = Standard ○ = Optional – = Not available * Toyota Safety Sense & Alarm pack.

[§] Tow Bar only available on 1,000kg Active.

[¶] All vehicles come with Rubber floor protection in Cargo area as standard.

TOYOTA PROFESSIONAL

Toyota know that your business is more than just a business, which is why we have created a range of commercial vehicles you can trust. Choose from our new compact Proace City, Proace, Land Cruiser Commercial or the legendary Hilux and put your business in safe hands. Our dedicated Toyota Professional Centres are on hand to keep you moving. With highly trained technicians and a comprehensive range of services built around you, Toyota Professional offers you the back-up you need for total peace of mind.



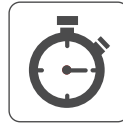
MOBILE OFFICE

Should you need to bring your van in for a service, we have all the facilities on hand to make your visit a productive one, with free wi-fi, coffee, and a free wash and vac to top it all off.



FIVE YEARS' ROADSIDE ASSISTANCE

It's reassuring to know that you are never alone: we provide 5 years' free roadside assistance as standard on all of our new commercial vehicles.



SERVICE AT YOUR CONVENIENCE

To help you plan your time efficiently, we will offer you a service slot within 7 days of requesting one.

YOUR COMPLETE PEACE OF MIND WITH TOYOTA

TOYOTA RELAX

Up to 10 Years (100,000 miles)

Toyota warranty

Every new Toyota is eligible to be covered by up to 10 years' manufacturer warranty through Toyota Relax. This is provided through an initial 3 years manufacturer warranty that can be extended with regular servicing at a Toyota dealer. 12 months warranty is included with every Toyota Service, up to 100,000 miles or 10 years, whichever comes first, giving you a chance to relax in the knowledge that you and your vehicle are in safe hands. Terms and conditions apply. For full details, please ask your official Toyota Centre or visit toyota.co.uk/relax

QUALITY SERVICE

Your Toyota will need a service at least once every 2 years/15,000 miles (whichever comes sooner)*.

LOW MAINTENANCE COSTS

All Toyota vehicles are designed and engineered to minimise your maintenance costs.

GENUINE PARTS

Providing the reassurance of Toyota quality, only genuine and approved components are used on your vehicle.

ADDED SECURITY

Toyota's comprehensive security system withstands the insurance industry's rigorous 5-minute attack test.

GENUINE ACCESSORIES

Toyota accessories are designed and manufactured with the same care, quality and attention to detail as Toyota vehicles. All accessories are covered by a 3-year warranty when purchased together with the vehicle[§].

For more information on peace of mind visit:

www.toyota.co.uk/business-customers/toyota-professional

* Check with your retailer for specific service intervals. [§] Check with your retailer for specific warranty details.



Toyota
Professional

IT IS NOT JUST A PROACE CITY.
IT IS A TOYOTA.

www.toyota.co.uk/new-cars/proace-city

While every effort is made to reproduce accurate information, we reserve the right to change specifications, equipment and availability without prior notice. This brochure cannot be regarded as infallible (some of the vehicles shown may not be to exact UK specification), and as such does not constitute an offer for sale of any particular vehicle or specification. For the latest specification and availability, we ask that you contact your local Toyota Centre. Vehicle body colours may differ slightly from the printed images in this brochure.

Quoted mpg and CO₂: Figures are provided for comparability purposes; only compare fuel consumption and CO₂ figures with other cars tested to the same technical procedures. These figures may not reflect real life driving results. Fuel consumption and CO₂ produced varies significantly depending on a number of factors, including the accessories fitted (post-registration), driving style, conditions, speed and vehicle load. The official CO₂ figures for vehicles changed as from 6 April 2020.

All models and grades are certified according to the World Harmonised Light Vehicle Test Procedure (WLTP). All mpg and CO₂ figures quoted are full WLTP figures. For more information on WLTP and specific vehicle types see www.toyota.co.uk

More information on WLTP in general can be found by visiting: www.vehicle-certification-agency.gov.uk/fcb/wltp.asp

The use of the term 'Toyota Accessories' should not be taken to imply that the products on the accessory pages are actually manufactured by the Toyota Motor Corporation or Toyota (GB) PLC. Toyota (GB) PLC is continually updating and changing specifications of accessories and reserves the right to do so at any time without prior notice.

©2021 by Toyota Motor Europe NV/SA ('TME'). No part of this publication may in any way be reproduced without the prior written approval of Toyota (GB) PLC.



Toyota UK



@ToyotaGB

GBNGV-0321B-PC June 2021