



The Mercedes-Benz Vito.

Panel and crew van models.

Prices effective from January 2022.

Mercedes-Benz





RETURN TO START

Contents

> Model overview	3
> Trims	
Vito PROGRESSIVE	4
Vito PREMIUM	5
Vito SPORT	6
> Colours and Upholstery	7
> Wheels	8
> Upgrades - including the PLUS package	9
> Equipment	9
> Engine and gearbox	18
> Fuel consumption	19
> Weights and payloads	20
> Dimensions	21
> List prices	27
> Approved Used	28
> Finance Options	29
> Aftercare	30

Please note

This document provides information about the model range line-up and specifications of the Vito. It also contains key details about options, economy and performance of all variants. Details are correct at time of publication and are subject to revision. Any images used in this document may not reflect UK specification and are for illustrative purposes only. Images may show optional equipment which does not form part of UK standard specification.

The Mercedes-Benz Vito.



RETURN TO START

2 van models:



Panel Van – 3 seats



Crew Van – 6 seats

3 lengths:



L1: 4,895mm



L2: 5,140mm



L3: 5,370mm

Height: 1,910mm

3 trims:



PROGRESSIVE



PREMIUM



SPORT (Available on Crew Van only)

Discover more about the other Mercedes-Benz Vito models in our range:

- ▶ [The Vito Tourer](#)
- ▶ [The Vito Taxi](#)
- ▶ [The eVito](#)

The Vito PROGRESSIVE.

Panel and Crew Van options available. Features include:

Interior

- Driver and co-driver airbag
- Comfort (eight-way adjustable) driver's seat
- Double co-driver seat
- Driver's seat lumbar support
- Locking glovebox
- Multifunctional steering wheel

Exterior

- Front fog lamps
- Headlight assistant
- Heated, electrically adjustable mirrors
- Twin sliding doors

Safety, security and connectivity

- Active Brake ASSIST
- Anti-theft protection package
- ATTENTION ASSIST
- Audio 30 with DAB radio, Apple/Android Car Play
- Crosswind ASSIST
- Cruise control with speed limiter
- Double locks
- Reversing camera

All Vitos now offer a gross vehicle weight of 3.05t, increasing payload capability.

From £24,465*

* Based on a Vito 110 PROGRESSIVE L1.

• 3 lengths available

- L1: 4,895mm
- L2: 5,140mm
- L3: 5,370mm

• 2 transmission options available

- 6-speed (manual)
- 9G-TRONIC PLUS (automatic)

Manual is now standard for both the Vito 110 & 114 Progressive with automatic transmission available as an option.

Upgrade your Vito PROGRESSIVE with our PLUS Pack for £1,700. Includes:

- TEMPMATIC air conditioning
- Full wheel cover
- PARKTRONIC
- Colour coded bumpers



➤ **Arrange a test drive at your nearest Dealership**



Plastic bumpers included as standard.



The Mercedes-Benz Vito

Vito PROGRESSIVE	Vito PREMIUM	Vito SPORT	Equipment	Engine & gearbox	Fuel consumption	Weights and payloads	Dimensions	List prices	Approved Used	Finance Options	Aftercare
------------------	--------------	------------	-----------	------------------	------------------	----------------------	------------	-------------	---------------	-----------------	-----------

The Vito PREMIUM.

Panel and Crew Van options available. Features include:

Interior

- Driver and co-driver airbag
- Comfort (eight-way adjustable) driver's seat
- Double co-driver seat
- Driver's seat lumbar support
- Locking glovebox
- Multifunctional leather steering wheel

Exterior

- Colour coded bumpers
- Front fog lamps
- Headlight assistant
- Heated, electrically adjustable mirrors
- Twin sliding doors

Safety, security and connectivity

- Active Brake ASSIST
- Anti-theft protection package
- ATTENTION ASSIST
- Audio 30 with DAB radio, Apple/Android Car Play
- Crosswind ASSIST
- Cruise control with speed limiter
- Double locks
- Reversing camera

All Vitos now offer a gross vehicle weight of 3.05t, increasing payload capability.

Additional features included with the PREMIUM:

- 17" alloy wheels
- Chrome radiator grille
- Electrically folding exterior mirrors
- Metallic paint
- PARKTRONIC
- TEMPOMATIC air conditioning
- Velour floor mats

From £32,590*

* Based on a Vito 116 PREMIUM L1.

• 3 lengths available

- L1: 4,895mm
- L2: 5,140mm
- L3: 5,370mm

• 1 transmission available

- 9G-TRONIC PLUS (automatic)

➤ [Arrange a test drive at your nearest Dealership](#)



Image shows the upgraded Light-alloy wheels – 7,5J x 18 ET 52 (Code R10).



The Mercedes-Benz Vito

Vito PROGRESSIVE	Vito PREMIUM	Vito SPORT	Equipment	Engine & gearbox	Fuel consumption	Weights and payloads	Dimensions	List prices	Approved Used	Finance Options	Aftercare
------------------	--------------	------------	-----------	------------------	------------------	----------------------	------------	-------------	---------------	-----------------	-----------

The Vito SPORT.

Crew Van and Tourer options available. Features include:

Interior

- Driver and co-driver airbag
- Comfort (eight-way adjustable) driver's seat
- Double co-driver seat
- Driver's seat lumbar support
- Locking glovebox
- Multifunctional steering wheel
- TEMPOMATIC air conditioning
- Velour floor mats

Exterior

- 17" Alloy wheels
- Chrome radiator grille
- Colour coded bumpers
- Electrically folding exterior mirrors
- Front fog lamps
- Metallic paint
- Twin sliding doors

Safety, security and connectivity

- Active Brake ASSIST
- Anti-theft protection package
- ATTENTION ASSIST
- Crosswind ASSIST
- Cruise control with speed limiter
- Double locks
- Headlight assistant
- PARKTRONIC
- Reversing camera

Additional features included with the SPORT:

- AMG side skirts
- Audio 40 infotainment system including Navigation with DAB+ and 7" colour touchscreen
- Black leatherette upholstery
- Bonnet and sill graphics
- Chrome interior details
- Heated front seats
- Heated windscreen washers
- Leather steering wheel
- LED head and tail lamps
- Roof rails
- Sports suspension

From £42,805*

* Based on a Vito 116 Crew Van SPORT L1.

• 3 lengths available

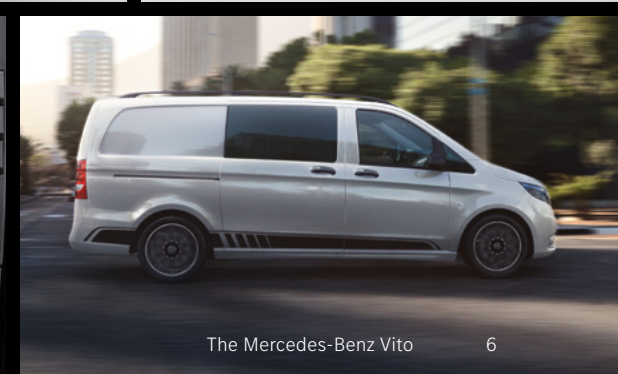
- L1: 4,895mm
- L2: 5,140mm
- L3: 5,370mm

• 1 transmission available

9G-TRONIC PLUS (automatic)

➤ [Arrange a test drive at your nearest Dealership](#)

➤ [Find out more about the Vito SPORT Tourer](#)



The Mercedes-Benz Vito 6

Colours and upholstery.



RETURN TO START

Solid paints



Arctic white
(Standard on the Vito PROGRESSIVE)



Pebble grey



Jupiter red



Navy blue



Granite green

Metallic paints



Obsidian black
(Standard on the Vito PREMIUM)



Hyacinth red
(Standard on the Vito SPORT)



Brilliant silver



Dark graphite grey

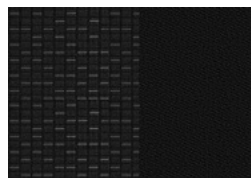


Selenite grey

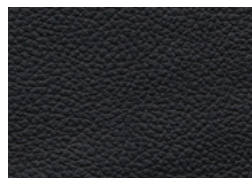


Cavansite blue

Interior upholstery



Black Caluma seat upholstery
(Standard on the Vito PROGRESSIVE and PREMIUM)



Black leatherette seat upholstery
(Standard on the Vito SPORT)

➤ [For paint pricing, see page 10](#)

➤ [For upholstery pricing, see page 13](#)

Wheels.



RETURN TO START

Our upgraded wheel options include:

1. **19-inch Alloy wheels with a 16-spoke design (RK3)**
2. **19-inch Alloy wheels with a 10-twin spoke design (R1Q)**
3. **18-inch Alloy wheels with a 5-spoke design (R1P)**
245/45 tyres
4. **17-inch Alloy wheels with a 5-spoke design (RL8)**
225/55 tyres
5. **17-inch Alloy wheels with a 5-twin spoke design (R1N)**
225/55 tyres
6. **Full wheel trims for steel wheels (RD8).**

Please note, more wheel options are available – [see page 11](#) for more information.
Consult your local Dealer for the full range of wheels available.

[Find your nearest Dealership](#)



Equipment (standard and optional overview).



RETURN TO START

Every Vito model comes with a host of standard features, plus a range of optional equipment and packages you can add to enhance your van.

Key: ● Standard ○ Optional ◇ Equipment dependant option available — Not available

Equipment	Description	Option code	PROGRESSIVE		PREMIUM		SPORT	Basic Price exc. VAT	Basic Price inc. VAT
			Panel Van	Crew Van	Panel Van	Crew Van	Crew Van		
Upgrade packages									
Driver's Assistance	Lane tracking package Includes Blind Spot ASSIST (JA7) and Lane Keeping ASSIST (JW5).	JP4	○	○	○	○	○	£785.00	£942.00
Exterior, Interior, and parking	PLUS package The PLUS package is the perfect upgrade to the Vito PROGRESSIVE and includes: - TEMPOMATIC air conditioning (HH9) - Full wheel cover (RD8) - PARKTRONIC (EZ8) - Colour coded bumpers (CM2).	N1RZ	○	○	—	—	—	£1,755.00	£2,106.00
Mirrors	Mirror package The Vito Mirror package uses automatically dimming mirrors and electrically folding outside mirrors to increase the driving comfort and driving safety.	FP2	○	○	○	○	●	£355.00	£426.00
Safety	Active safety package Includes the following safety assistance systems: - Blind Spot ASSIST (JA7) - Lane Keeping ASSIST (JW5) - Headlamp ASSIST (LA2) automatically switches the dipped beams on and off.	JP2	○	○	○	○	○	£840.00	£1,008.00
Security	Anti-theft protection package STANDARD ON ALL MODELS Thatcham category 1 approved. Includes cab interior and load-space monitoring with double locks, battery back-up siren and tow-away protection as standard on all Vito models.	FY1	●	●	●	●	●	£0.00	£0.00
Trim and Upholstery	Chrome interior appointment package The Chrome interior package further enhances the look of the driver's and front-passenger's area with its trim elements on the dashboard and in the front doors.	FP4	○	○	○	○	●	£130.00	£156.00

Changes to individual option availability and combinations may occur depending on vehicle specification choices and the continuing evolution and adaptation of our product range. These changes may not be immediately reflected in this document as they occur, but will be introduced at the next revision opportunity.

Equipment (standard and optional overview).



RETURN TO START

Equipment	Description	Option code	PROGRESSIVE		PREMIUM		SPORT	Basic Price exc. VAT	Basic Price inc. VAT
			Panel Van	Crew Van	Panel Van	Crew Van	Crew Van		
Exterior Features									
Bodywork	Carrier bars	D15	○	○	○	○	○	£155.00	£186.00
	Chrome radiator grille Only available in conjunction with painted bumpers (CM2).	FK2	○	○	●	●	●	£115.00	£138.00
	Roof rails Maximum load of 150kg, when supported by three carrier bars.	D12	○	○	○	○	●	£395.00	£474.00
Fuel Tanks	57L fuel tank	KB5	●	●	●	●	●	£0.00	£0.00
	70L fuel tank Larger 70 litre capacity tank replaces standard 57 litre tank.	KB5	○	○	○	○	○	£85.00	£102.00
	Fuel filter with water separator The fuel filter with water separator is able to remove the elevated water content from poor-quality diesel fuel and thereby increase the reliability of the engine.	KL5	○	○	○	○	○	£110.00	£132.00
	Large AdBlue tank (24L)	KP6	●	●	●	●	●	£0.00	£0.00
	Red diesel filler cap	K56	○	○	○	○	○	£25.00	£30.00
Paint	Pre-treated bumpers The pre-treated surfaces facilitate the painting of the bumpers in the desired colour at a later date.	CM3	○	○	—	—	—	£120.00	£144.00
	Colour-coded front and rear bumpers	CM2	○	○	●	●	●	£325.00	£390.00
	Metallic paint Price of paint is dependent on colour.	/	○	○	●	●	●	£585.00	£702.00
Tyres	All-season tyres Compared to summer tyres, all-season tyres excel with better traction in wintry road conditions.	RM0	○	○	○	○	○	£160.00	£192.00
	Mud and slush tyres The M+S tyres can improve traction and lateral support in wintry road conditions, improving driving safety on snow, ice and mud.	RM1	○	○	○	○	○	£150.00	£180.00
	Summer tyres		●	●	●	●	●	£0.00	£0.00

● Standard ○ Optional ◇ Equipment dependant option available — Not available

Equipment (standard and optional overview).



RETURN TO START

Equipment	Description	Option code	PROGRESSIVE		PREMIUM		SPORT	Basic Price exc. VAT	Basic Price inc. VAT
			Panel Van	Crew Van	Panel Van	Crew Van	Crew Van		
Exterior Features (cont.)									
Wheels	16" Steel wheels Wheel: 6.5 J x 16 ET 52 Tyres: from 195/65 R 16 to 225/60 R 16	RS3	●	●	—	—	—	£0.00	£0.00
	17" Steel wheels Wheel: 6.5 J x 17 ET 51 Tyres: 225/55 R17 Standard for 119 engine variants	RS7	○	○	○	○	—	£440.00	£528.00
	17" Full wheel cover	RD8	○	○	—	—	—	£85.00	£102.00
	16" Alloy wheels Wheel: 6.5 J x 16 ET 52 Tyres: 195/65 R 16	RL5	○	○	○	○	—	£605.00	£726.00
	17" Alloy wheels (5 spoke design) Painted in vanadium silver Wheel: 7 J x 17 ET 51 Tyres: 225/55 R 17	RL8	○	○	○	○	○	£980.00	£1,176.00
	17" Alloy wheels (5 twin-spoke design) Wheel: 7 J x 17 ET 51 Tyres: 225/55 R17 or 235/55 R17	R1N	○	○	○	○	●	£1,265.00	£1,518.00
	17" Alloy wheels (20 spoke design) Painted in vanadium silver Wheel: 7 J x 17 ET 51 Tyres: 225/55 R 17	RK8	○	○	●	●	○	£980.00	£1,176.00
	18" Alloy wheels Wheel: 7.5 J x 18 ET 52 Tyres: 245/45 R 18	RL9	○	—	○	—	—	£1,475.00	£1,770.00
	18" Alloy wheels (5 spoke design) Wheel: 7.5 J x 18 ET 52 Tyres: 245/45 R 18	R1P	○	—	○	—	—	£1,740.00	£2,088.00
	18" Alloy wheels (5 twin-spoke design) Wheel: 7.5 J x 18 ET 52 Tyres: 245/45 R 18	R10	○	—	○	—	—	£1,740.00	£2,088.00
	19" Alloy wheels (5-twin spoke) Bi-colour Wheel: 8 J x 19 ET 52 Tyres: 245/45 R19 tyres (RK1)	RL3	○	—	○	—	—	£1,330.00	£1,596.00

● Standard ○ Optional ◇ Equipment dependant option available — Not available

Equipment (standard and optional overview).



RETURN TO START

Equipment	Description	Option code	PROGRESSIVE		PREMIUM		SPORT	Basic Price exc. VAT	Basic Price inc. VAT
			Panel Van	Crew Van	Panel Van	Crew Van	Crew Van		
Exterior Features (cont.)									
Wheels (cont.)	19" Alloy wheels (10-twin spoke) Wheel: 8 J x 19 ET 52 Tyres: 245/45 R19 tyres (RK1)	R1Q	○	—	○	—	—	£2,205.00	£2,646.00
	19" Alloy wheels (16-spoke) Wheel: 8 J x 19 ET 52 Tyres: 245/45 R19 tyres (RK1)	RK3	○	—	○	—	—	£2,060.00	£2,472.00
Interior Features									
Flooring	Velour floor mats The black velour floor mats visually enhance the cockpit and underscore the elegant, sporty wellness ambience in the vehicle.	VL2	○	○	●	●	●	£50.00	£60.00
Gearbox	6-speed manual transmission	GE1	●	●	—	—	—	£0.00	£0.00
	9G-TRONIC automatic gearbox	G43	○	○	●	●	●	£0.00*	£0.00*
Grab Handles	Grab handles for driver's and co-driver's doors	T75	○	○	○	○	○	£50.00	£60.00
Heating and Ventilation	Diesel-powered auxiliary air heater The hot-water auxiliary heater indulges driver and passengers right from the start of the journey with cosy warmth.	H12	○	○	○	○	○	£560.00	£672.00
	Heated driver's seat	H16	○	○	○	○	●	£150.00	£180.00
	Heated dual co-driver's seat	H15	○	○	○	○	●	£210.00	£252.00
	Pollen filter The pollen filter keeps even the smallest of particles out of the interior and can therefore protect against allergic reactions.	HF2	○	○	—	—	—	£45.00	£54.00
	TEMPMATIC air conditioning Cools and dehumidifies the air. Features a particulate filter to remove particles of dust and pollen from the outside air.	HH9	○	○	●	●	●	£980.00	£1,176.00
	THERMOTRONIC automatic climate control Automatically controls temperature, airflow and air distribution in 2 separate climate zones. If outside temperatures are very low, the residual heat mode (REST) can make use of the heat stored in the engine's coolant circuit for up to 30mins after the engine has been switched off.	HH4	○	○	○	○	○	£1,670.00	£2,004.00
—	—		○	○	—	£695.00	£834.00		

* Cost showing against the optional 9GTRONIC auto gearbox for the 110 and 114 variants

● Standard ○ Optional ◇ Equipment dependant option available — Not available

Equipment (standard and optional overview).



RETURN TO START

Equipment	Description	Option code	PROGRESSIVE		PREMIUM		SPORT	Basic Price exc. VAT	Basic Price inc. VAT
			Panel Van	Crew Van	Panel Van	Crew Van	Crew Van		
Interior Features (cont.)									
Seating	Comfort driver's seat Single armrest on the side facing the front passenger; fore/aft adjustment (225mm in total, with 4.5mm intervals); stepless adjustment of the seat backrest angle; stepless seat height adjustment; comfort head restraint adjustable for angle and height.	SB1	●	●	●	●	●	£0.00	£0.00
	Comfort co-driver's seat Comfort driver and co-driver seat with inboard armrests and 4-way adjustable headrests. This deletes the double co-driver seat and therefore limits the cab area to two occupants.	SB2	○	○	○	○	●	£90.00	£108.00
	Double co-driver's seat Bench seat with 2x three-point seat belts, height-adjustable head restraints, and a fixed 17° backrest.	S23	●	●	●	●	—	£0.00	£0.00
	Driver's seat plus with level sitting surface	SF3	○	○	○	○	○	£145.00	£174.00
	Co-driver's seat plus with level sitting surface	SF4	○	○	○	○	○	£145.00	£174.00
	Lumbar support for driver's seat Electropneumatically operated dual-cushion 4-way lumbar support, adjusted using a switch on the outer side of the seat cushion. The position of the air cushions can also be adjusted for height.	SE5	●	●	●	●	●	£0.00	£0.00
	Lumbar support for co-driver's seat Not compatible with Double co-driver seat (S23)	SE4	○	○	○	○	●	£110.00	£132.00
Steering Wheel	Height and rake adjustable steering wheel Manually adjustable by 4.8° in tilt and 60mm in/out.	CL1	●	●	●	●	●	£0.00	£0.00
	Multifunctional steering wheel	CL4	●	●	●	●	●	£0.00	£0.00
	Leather steering wheel, gear knob and gaiter The leather steering wheel and leather-covered shift lever enhance the look and feel of the interior.	CL2	○	○	●	●	●	£205.00	£246.00
Storage	Centre console with stowage compartment	FF1	○	○	○	○	●	£70.00	£84.00
	Locking glove compartment Lock operated using the manual emergency key which is integrated within the electronic ignition key.	F66	●	●	●	●	●	£0.00	£0.00
Trim and Upholstery	Black Caluma seat upholstery	VY2	●	●	●	●	—	£0.00	£0.00
	Black leatherette seat upholstery The black man-made leather lends the interior a comfortable aspect and impresses with its low-maintenance surface.	VU9	○	○	○	○	●	£65.00	£78.00

● Standard ○ Optional ◇ Equipment dependant option available — Not available

Equipment (standard and optional overview).



RETURN TO START

Equipment	Description	Option code	PROGRESSIVE		PREMIUM		SPORT	Basic Price exc. VAT	Basic Price inc. VAT
			Panel Van	Crew Van	Panel Van	Crew Van	Crew Van		
Technology, Software & Electrics									
Alternator	Alternator 14V/250A	M60	○	○	○	○	○	£630.00	£756.00
Audio Entertainment and Navigation	Audio 30 7.8 cm (7 inch) touchscreen DAB+ radio includes Smartphone Integration via Apple® CarPlay and Android Auto and also the Bluetooth® interface with audio streaming and hands-free function for making phone calls while driving with minimal distraction. Includes 2 USB ports.	E3C	●	●	●	●	—	£0.00	£0.00
	Audio 40 7.8 cm (7 inch) touchscreen DAB+ radio with integrated Navigation. Includes Smartphone Integration via Apple® CarPlay and Android Auto and Bluetooth® interface with audio streaming and hands-free function for making phone calls while driving with minimal distraction. Includes 2 USB ports.	EA4	○	○	○	○	●	£400.00	£480.00
Keys	Two additional master keys	FZ9	○	○	○	○	○	£110.00	£132.00
Driver's Assistance & Safety									
Airbags	Drivers airbag	/	●	●	●	●	●	£0.00	£0.00
	Co-driver airbag	SA6	●	●	●	●	●	£0.00	£0.00
	Driver thorax-pelvis sidebag	SH1	○	○	○	○	○	£205.00	£246.00
	Co-driver thorax-pelvis sidebag	SH2	○	○	○	○	○	£205.00	£246.00
	Windowbags for driver and co-driver Windowbags on the driver's and front-passenger's side can contribute to reducing the risk of head and facial injuries in the event of severe accidents involving major side-on impact.	SH9	○	○	○	○	○	£440.00	£528.00
Driver's Assistance	Active Brake ASSIST Can detect the danger of a collision with the vehicle ahead, stationary traffic and pedestrians by reacting with a visual and audible warning – braking automatically if there is no driver reaction.	BA3	●	●	●	●	●	£0.00	£0.00
	Active Distance ASSIST DISTRONIC Automatically maintains the distance to vehicles in front. The system accelerates the vehicle by itself and brakes it with a maximum of half the vehicle's braking power in order to maintain a safe distance.	ET4	○	○	○	○	○	£830.00	£996.00
	ATTENTION ASSIST With the help of numerous parameters, the ATTENTION ASSIST function can detect typical signs of drowsiness and warn the driver.	JW6	●	●	●	●	●	£0.00	£0.00

● Standard ○ Optional ◇ Equipment dependant option available — Not available

Equipment (standard and optional overview).



RETURN TO START

Equipment	Description	Option code	PROGRESSIVE		PREMIUM		SPORT	Basic Price exc. VAT	Basic Price inc. VAT
			Panel Van	Crew Van	Panel Van	Crew Van	Crew Van		
Driver's Assistance & Safety (cont.)									
Driver's Assistance (cont.)	Blind Spot Assist Blind Spot Assist can help prevent accidents when changing lanes, for example on the motorway.	JA7	○	○	○	○	○	£455.00	£546.00
	Comfort overhead control panel LED interior lighting including cab downlighting and co-/driver reading lamps; also includes a convenient spectacles compartment.	LC4	●	●	●	●	●	£0.00	£0.00
	Crosswind ASSIST Crosswind ASSIST detects track offset caused by strong crosswind gusts in due time and helps the driver to stay in lane.	JA8S	●	●	●	●	●	£0.00	£0.00
	Cruise Control Includes speed limiter function. Operated via a lever ergonomically positioned on the left of the steering column.	MS1	●	●	●	●	●	£0.00	£0.00
	Headlight assistant A windscreen sensor continuously monitors light conditions and automatically switches the dipped beams on/off upon reaching pre-defined limits.	LA2	●	●	●	●	●	£0.00	£0.00
	Jack	Y36	○	○	○	○	○	£60.00	£72.00
	Lane Keeping Assist Warns the driver if lane markings are crossed unintentionally.	JW5	○	○	○	○	○	£455.00	£546.00
	LED Intelligent Light System Automatically adapts light intensity appropriately to weather, lighting and speed. Integrated High Beam Assist automatically adjusts the high and low beam to the traffic situation. The cornering function automatically pivots headlamps and illuminates static LED cornering lights into upcoming bends to ensure maximum visibility. Includes Rain sensor (JF1), Headlight assistant (LA2), Heat insulating glass (H20).	LG2	○	○	○	○	●	£1,565.00	£1,878.00
	Rain sensor The rain sensor automatically regulates the wiping frequency of the windscreen wipers with activated intermittent wiping, which makes things easier for the driver.	JF1	●	●	●	●	●	£0.00	£0.00
	Spare Wheel with Jack	RR6	●	—	●	—	—	£0.00	£0.00
	Speed Limiter - 120km/h	MD3	○	○	○	○	○	£140.00	£168.00
	Tyre pressure monitoring, wireless Monitors air pressure in all 4 wheels. Slight pressure variances generate a visual warning. Sudden, extreme, pressure losses trigger an additional acoustic warning.	RY2	●	●	●	●	●	£0.00	£0.00

● Standard ○ Optional ◇ Equipment dependant option available — Not available

Equipment (standard and optional overview).



RETURN TO START

Equipment	Description	Option code	PROGRESSIVE		PREMIUM		SPORT	Basic Price exc. VAT	Basic Price inc. VAT
			Panel Van	Crew Van	Panel Van	Crew Van	Crew Van		
Driver's Assistance & Safety (cont.)									
Parking	Reversing camera	FR8	●	●	●	●	●	£0.00	£0.00
	PARKTRONIC	EZ8	○	○	●	●	●	£745.00	£894.00
	Reversing warning device The reverse warning alarm warns pedestrians and other road users audibly of the reversing vehicle and thereby enhances their safety.	JW0	○	○	○	○	○	£95.00	£114.00
Safety Equipment	Accident recovery and breakdown management The vehicle will automatically call the Mercedes-Benz Customer Assistance Center at a press of a button to provide the driver with professional help in the event of an emergency.	EY6	●	●	●	●	●	£0.00	£0.00
	First aid kit	Y10	○	○	○	○	○	£50.00	£60.00
	Fire extinguisher 1kg	YF7	○	○	○	○	○	£125.00	£150.00
	PRE-SAFE The PRE-SAFE® anticipatory occupant protection system can detect critical driving situations at an early stage and initiate preventive protection measures.	JP1	○	○	○	○	○	£335.00	£402.00
	Warning triangle	Y44	○	○	○	○	○	£45.00	£54.00
Lighting									
Lighting	Blinker lights on rear of roof The additional turn signal lamps on rear of roof improve the visibility of the vehicle, thus enhancing perceptual safety.	L84	○	○	○	○	○	£140.00	£168.00
	Halogen front fog lights Controlled via a push button next to the steering wheel.	L16	●	●	●	●	—	£205.00	£246.00
	Interior ambient lighting	LP1	○	○	○	○	●	£230.00	£276.00
	LED lightstrip in load compartment	LC2	○	○	○	○	○	£100.00	£120.00
Loading & Towing									
Bulkhead	Full-width partition with 1 window The full-width partition wall on the B-pillar with window allows a view into the cargo area or the view to the rear and shields the driver's compartment from the load compartment.	D51	○	○	○	○	—	£70.00	£84.00
Gross Vehicle Weight (GVW)	Gross vehicle weight 2.8T	/	○	—	○	—	—	£0.00	£0.00
	Gross vehicle weight 3.05T	XA6	●	●	●	●	●	£0.00	£0.00
	Gross vehicle weight 3.2T	XA5	○	○	○	○	—	£830.00	£996.00

● Standard ○ Optional ◇ Equipment dependant option available — Not available

Equipment (standard and optional overview).


[RETURN TO START](#)

Equipment	Description	Option code	PROGRESSIVE		PREMIUM		SPORT	Basic Price exc. VAT	Basic Price inc. VAT
			Panel Van	Crew Van	Panel Van	Crew Van	Crew Van		
Loading & Towing (cont.)									
Ground clearance	Increased ground clearance The increased ground clearance by 10mm is particularly beneficial on rough roads or when driving over ramps.	C14	○	○	○	○	—	£0.00	£0.00
Load Area	Interior wood panelling to roof height in load compartment The 5mm-thick wooden panelling of the vehicle sidewalls extending up to roof height protects the sheet metal in the load compartment from damage caused by the cargo.	VA2	○	○	○	○	—	£290.00	£348.00
	Wood load flooring Multiple-bonded 10mm-thick weatherproof plywood floor, coated with hard-wearing phenolic resin film, and featuring a non-slip textured grid surface.	V43	●	●	●	●	●	£0.00	£0.00
Towing Equipment	Electrical components for trailer socket	E57	○	○	○	○	○	£215.00	£258.00
	Trailer load 2,500kg* The uprated towing load of 2,500kg makes it possible to tow up to 500kg additional load. * Available on RWD only	QA4	○	○	○	○	○	£70.00	£84.00
Mirrors & Windows									
Mirrors	Electrically folding wing mirrors Fold-in/out function is operated via controls in the driver door.	F64	○	○	●	●	●	£200.00	£240.00
	Heated, electrically adjustable wing mirrors Mirror heating reduces condensation in cold weather and prevents icing-up of the mirrors. The exterior mirrors are heated automatically upon vehicle start when the outside temperature is low or when the rear defrost function is activated.	F68	●	●	●	●	●	£0.00	£0.00
	Illuminated vanity mirrors for sun visors	FS5	○	○	○	○	○	£100.00	£120.00
Windows	Black-tinted windows in rear 90% window tint offers attractive thermal and privacy protection. Applies to all windows after the B-pillar.	W70	—	●	—	●	●	£0.00	£0.00
	Heat-insulating glass Windscreen (laminated glass), side windows and rear window (single-pane safety glass) are tinted green, reducing the sunlight's heating effect on the interior.	H20	●	●	●	●	●	£0.00	£0.00
	Heated windscreen washer system	F48	○	○	○	○	●	£190.00	£228.00
	Sliding window in left sliding door	W18	○	○	○	○	—	£370.00	£444.00
	Sliding window in right sliding door	W19	○	○	○	○	—	£370.00	£444.00

● Standard ○ Optional ◇ Equipment dependant option available — Not available

Engine and gearbox.



RETURN TO START

Engine specifications	PROGRESSIVE			PREMIUM		SPORT*	
	110	114	116	116	119	116	119
Fuel	Diesel			Diesel		Diesel	
Cylinder arrangement	4, in-line			4, in-line		4, in-line	
Cubic capacity	1,950cc			1,950cc		1,950cc	
Turbocharger	Two-stage turbocharger with variable turbine geometry			Two-stage turbocharger with variable turbine geometry		Two-stage turbocharger with variable turbine geometry	
EU exhaust emission standard	Euro 6d			Euro 6d		Euro 6d	
Output, max.	100hp @ 3,600-4,400rpm	134hp @ 3,600-4,400rpm	160hp @ 3,800-4,400rpm	160hp @ 3,800-4,400rpm	187hp @ 3,800-4,200rpm	160hp @ 3,800-4,200rpm	187hp @ 3,800-4,200rpm
Torque, max.	280Nm @ 1,500-2,250rpm	330Nm @ 1250-2,400rpm	380Nm @ 1,250-2,400rpm	380Nm @ 1,250-2,400rpm	400Nm @ 1,350-2,600rpm	380Nm @ 1,250-2,400rpm	440Nm @ 1,350-2,600rpm
Fuel tank capacity	57L (70L with option KB5 – fuel tank, large)			57L (70L with option KB5 – fuel tank, large)		57L (70L with option KB5 – fuel tank, large)	
AdBlue® capacity	24L			24L		24L	
Diesel Particulate Filter (DPF)	●	●	●	●	●	●	●
6-speed manual gearbox	●	●	–	–	–	–	–
9G-TRONIC automatic gearbox	○	○	●	●	●	●	●
Driven Axle	RWD			RWD		RWD	
Alternator	14V/200A with Alternator Management (battery charged during braking and overrun)			14V/200A with Alternator Management (battery charged during braking and overrun)		14V/200A with Alternator Management (battery charged during braking and overrun)	
Battery	12 V/95Ah (AGM)			12 V/95Ah (AGM)		12 V/95Ah (AGM)	

* Available on Crew Van only.

● Standard ○ Optional – Not available

Fuel consumption, performance and CO₂ emissions.



RETURN TO START

WLTP Fuel Consumption (l/100km/MPG)

Model	CO ₂ emissions (g/km)	Combined	Low-speed	Medium-speed	High-speed	Extra high-speed
Panel Van – PROGRESSIVE						
110 RWD Van L1	tba	tba	tba	tba	tba	tba
114 RWD Van L1	191	7.3/ 38.7	9.1/ 31	6.9/ 40.9	6.2/ 45.5	7.7/ 36.6
116 RWD Van L1	194	7.4/ 38.1	8.8/ 32.1	7.3/ 38.7	6.4/ 44.1	7.8/ 36.2
110 RWD Van L2	tba	tba	tba	tba	tba	tba
114 RWD Van L2	192	7.3/ 38.7	9.2/ 30.7	7/ 40.3	6.3/ 44.8	7.7/ 36.6
116 RWD Van L2	195	7.5/ 37.6	8.9/ 31.7	7.3/ 38.7	6.4/ 44.1	7.9/ 35.7
110 RWD Van L3	tba	tba	tba	tba	tba	tba
114 RWD Van L3	193	7.4/ 38.1	9.3/ 30.3	7/ 40.3	6.3/ 44.8	7.8/ 36.2
116 RWD Van L3	197	7.5/ 37.6	8.9/ 31.7	7.4/ 38.1	6.5/ 43.4	7.9/ 35.7
Panel Van – PREMIUM						
116 RWD Van L1	195	7.5/ 37.6	8.9/ 31.7	7.3/ 38.7	6.5/ 43.4	7.9/ 35.7
119 RWD Van L1	200	7.7/ 36.6	9.5/ 29.7	7.5/ 37.6	6.6/ 42.8	8/ 35.3
116 RWD Van L2	196	7.5/ 37.6	8.9/ 31.7	7.4/ 38.1	6.5/ 43.4	7.9/ 35.7
119 RWD Van L2	201	7.7/ 36.6	9.6/ 29.4	7.6/ 37.1	6.6/ 42.8	8/ 35.3
116 RWD Van L3	198	7.5/ 37.6	9/ 31.3	7.4/ 38.1	6.5/ 43.4	7.9/ 35.7
119 RWD Van L3	203	7.7/ 36.6	9.7/ 29.1	7.6/ 37.1	6.7/ 42.1	8/ 35.3

WLTP Fuel Consumption (l/100km/MPG)

Model	CO ₂ emissions (g/km)	Combined	Low-speed	Medium-speed	High-speed	Extra high-speed
Crew Van – PROGRESSIVE						
110 RWD Van L1	tba	tba	tba	tba	tba	tba
114 RWD Van L1	195	7.4/ 38.1	9.3/ 30.3	7.1/ 39.7	6.4/ 44.1	7.8/ 36.2
116 RWD Van L1	195	7.5/ 37.6	9/ 31.3	7.4/ 38.1	6.5/ 43.4	7.9/ 35.7
110 RWD Van L2	tba	tba	tba	tba	tba	tba
114 RWD Van L2	197	7.5/ 37.6	9.4/ 30	7.2/ 39.2	6.4/ 44.1	7.9/ 35.7
116 RWD Van L2	199	7.6/ 37.1	9.1/ 31	7.5/ 37.6	6.6/ 42.8	8/ 35.3
110 RWD Van L3	tba	tba	tba	tba	tba	tba
114 RWD Van L3	197	7.5/ 37.6	9.5/ 29.7	7.2/ 39.2	6.5/ 43.4	7.9/ 35.7
116 RWD Van L3	200	7.7/ 36.6	9.2/ 30.7	7.6/ 37.1	6.6/ 42.8	8/ 35.3
Crew Van – PREMIUM						
116 RWD Van L1	198	7.6/ 37.1	9/ 31.3	7.4/ 38.1	6.5/ 43.4	8/ 35.3
116 RWD Van L2	200	7.6/ 37.1	9.1/ 31	7.5/ 37.6	6.6/ 42.8	8/ 35.3
119 RWD Van L2	205	7.8/ 36.2	9.8/ 28.8	7.7/ 36.6	6.7/ 42.1	8.1/ 34.8
116 RWD Van L3	200	7.7/ 36.6	9.2/ 30.7	7.6/ 37.1	6.6/ 42.8	8/ 35.3
119 RWD Van L3	206	7.9/ 35.7	9.9/ 28.5	7.7/ 36.6	6.8/ 41.5	8.1/ 34.8
Crew Van – SPORT						
116 RWD Van L1	201	7.7/ 36.6	9.2/ 30.7	7.6/ 37.1	6.6/ 42.8	8.1/ 34.8
119 RWD Van L1	206	7.9/ 35.7	9.9/ 28.5	7.8/ 36.2	6.8/ 41.5	8.1/ 34.8
116 RWD Van L2	203	7.7/ 36.6	9.3/ 30.3	7.6/ 37.1	6.7/ 42.1	8.1/ 34.8
119 RWD Van L2	208	7.9/ 35.7	10/ 28.25	7.9/ 35.7	6.8/ 41.5	8.2/ 34.4

All figures are based on a standard specification. The choice of additional factory options may affect CO₂ emissions and corresponding Road Fund Licence. The indicated values were determined according to the prescribed measurement method – Worldwide Harmonised Light Vehicle Test Procedure (WLTP). Figures shown may include options which are not available in the UK. Figures shown are for comparability purposes; only compare with other vans tested to the same technical procedures. Figures may not reflect real life driving results, which will depend upon a number of factors including factory-fitted options, accessories fitted (post registration), variations in weather, driving styles and vehicle load.

Further information about the test used to establish fuel consumption and CO₂ figures can be found at <https://www.mercedes-benz.co.uk/vans/en/WLTP>

Weights and payloads.



RETURN TO START

Model	Unladen Weight (Kg)	Gross Vehicle Weight (Kg)	Payload (Kg)	Gross Train Weight (Kg)
Panel Van – PROGRESSIVE				
110 RWD Van L1	tba	tba	tba	tba
114 RWD Van L1	2,021	3,050	1,029	5,050
116 RWD Van L1	2,047	3,050	1,003	5,050
110 RWD Van L2	tba	tba	tba	tba
114 RWD Van L2	2,048	3,050	1,002	5,050
116 RWD Van L2	2,074	3,050	976	5,050
110 RWD Van L3	tba	tba	tba	tba
114 RWD Van L3	2,083	3,050	967	5,050
116 RWD Van L3	2,109	3,050	941	5,050
Panel Van – PREMIUM				
116 RWD Van L1	2,071	3,050	979	5,050
119 RWD Van L1	2,071	3,050	979	5,050
116 RWD Van L2	2,098	3,050	952	5,050
119 RWD Van L2	2,098	3,050	952	5,050
116 RWD Van L3	2,133	3,050	917	5,050
119 RWD Van L3	2,133	3,050	917	5,050

Model	Unladen Weight (Kg)	Gross Vehicle Weight (Kg)	Payload (Kg)	Gross Train Weight (Kg)
Crew Van – PROGRESSIVE				
110 RWD Van L1	tba	tba	tba	tba
114 RWD Van L1	2,098	3,050	952	5,050
116 RWD Van L1	2,124	3,050	926	5,050
110 RWD Van L2	tba	tba	tba	tba
114 RWD Van L2	2,150	3,050	900	5,050
116 RWD Van L2	2,176	3,050	874	5,050
110 RWD Van L3	tba	tba	tba	tba
114 RWD Van L3	2,165	3,050	885	5,050
116 RWD Van L3	2,215	3,050	835	5,050
Crew Van – PREMIUM				
116 RWD Van L1	2,148	3,050	902	5,050
116 RWD Van L2	2,200	3,050	850	5,050
119 RWD Van L2	2,200	3,050	850	5,050
116 RWD Van L3	2,215	3,050	835	5,050
119 RWD Van L3	2,215	3,050	835	5,050
Crew Van – SPORT				
116 RWD Van L1	2,223	3,050	827	5,050
119 RWD Van L1	2,223	3,050	827	5,050
116 RWD Van L2	2,275	3,050	775	5,050
119 RWD Van L2	2,275	3,050	775	5,050

Please note: The stated payload weights are correct according to type approval data. The specific payload values for UK supplied vehicles may differ. The figure quoted only accounts for equipment which is included in the UK product offer as standard. Please speak to a dealer for final vehicle configurations and weights once all options and accessories have been added.

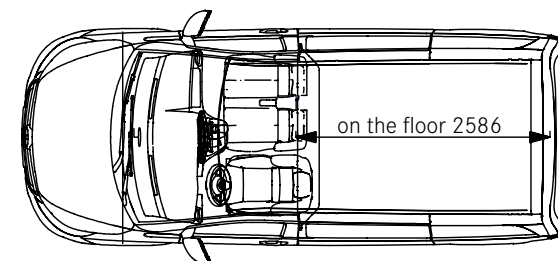
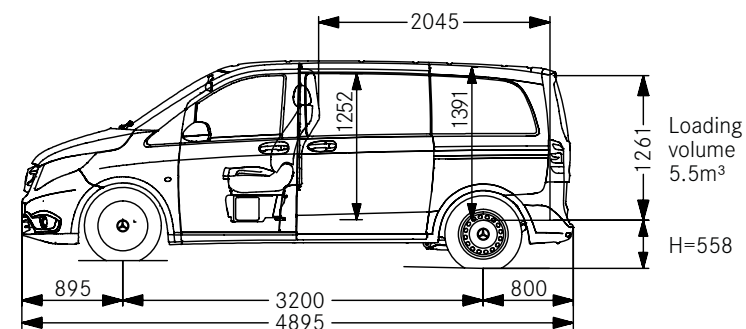
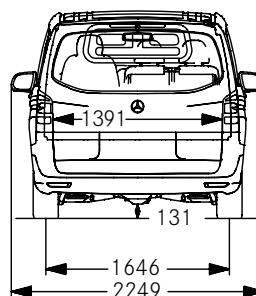
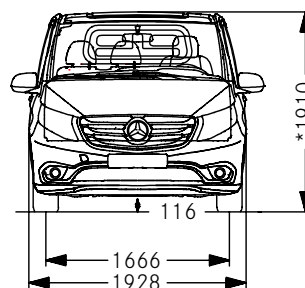
Dimensions.



RETURN TO START

PANEL VAN L1

Wheelbase	Wheelbase length	3,200mm
	Turning circle	11.8m
	Track circle	11m
	Front track width	1,666mm
	Rear track width	1,646mm
Vehicle	Length	4,895mm
	Height (unladen)	1,910mm
	Width (inc. wing mirrors)	2,249mm
	Ground clearance	116mm
Load compartment	Length	2,568mm*
	Load volume	5.5m ³
	Max. width	1,685mm
	Width between wheel arches	1,270mm
	Height	1,391mm
	Rear loading height (step height from ground to load floor)	558mm



H ca. / *558 *unloaded
 Turing circle Ø ca. 11.8m
 Track circle Ø ca. 11m

* Measured on vehicle floor and includes 370mm for the space beneath the front seats.

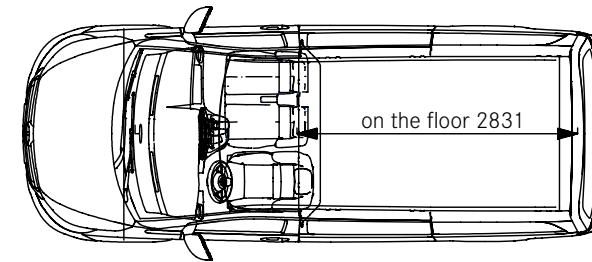
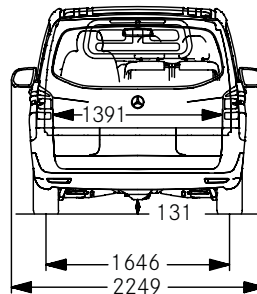
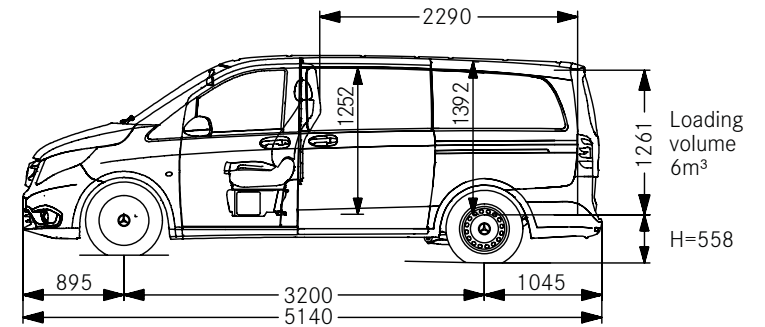
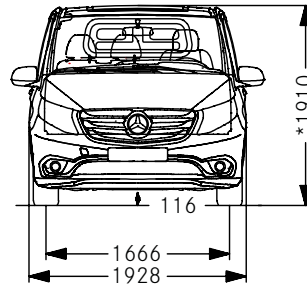
Dimensions.



RETURN TO START

PANEL VAN L2

Wheelbase	Wheelbase length	3,200mm
	Turning circle	11.8m
	Track circle	11m
	Front track width	1,666mm
	Rear track width	1,646mm
Vehicle	Length	5,140mm
	Height (unladen)	1,910mm
	Width (inc. wing mirrors)	2,249mm
	Ground clearance	116mm
Load compartment	Length	2,831mm*
	Load volume	6.0m ³
	Max. width	1,685mm
	Width between wheel arches	1,270mm
	Height	1,391mm
	Rear loading height (step height from ground to load floor)	558mm



H ca. / *558 *unloaded
Turning circle Ø ca. 11.8m
Track circle Ø ca. 11m

* Measured on vehicle floor and includes 370mm for the space beneath the front seats.

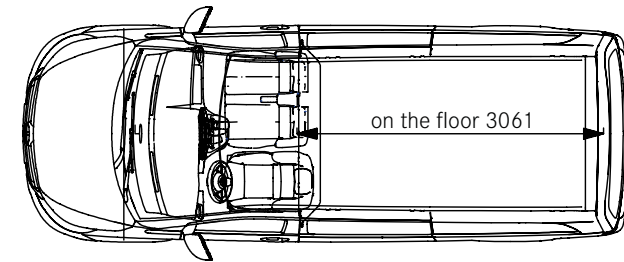
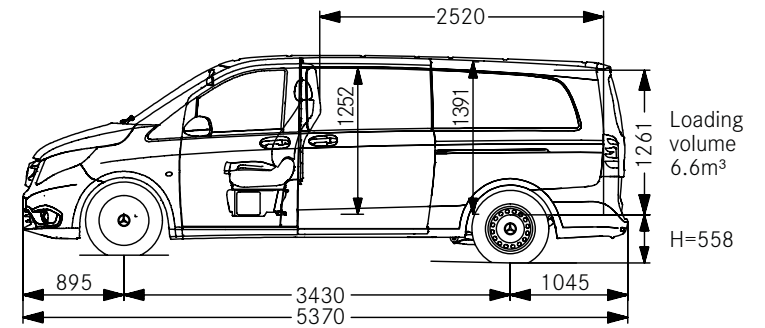
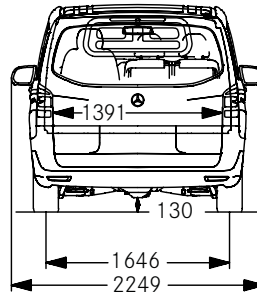
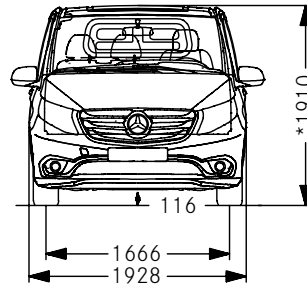
Dimensions.



RETURN TO START

PANEL VAN L3

Wheelbase	Wheelbase length	3,430mm
	Turning circle	12.5m
	Track circle	12m
	Front track width	1,666mm
	Rear track width	1,646mm
Vehicle	Length	5,370mm
	Height (unladen)	1,910mm
	Width (inc. wing mirrors)	2,249mm
	Ground clearance	116mm
Load compartment	Length	3,061mm*
	Load volume	6.6m ³
	Max. width	1,685mm
	Width between wheel arches	1,270mm
	Height	1,391mm
	Rear loading height (step height from ground to load floor)	558mm



H ca. / *558 *unloaded
Turning circle Ø ca. 12.5m
Track circle Ø ca. 12m

* Measured on vehicle floor and includes 370mm for the space beneath the front seats.

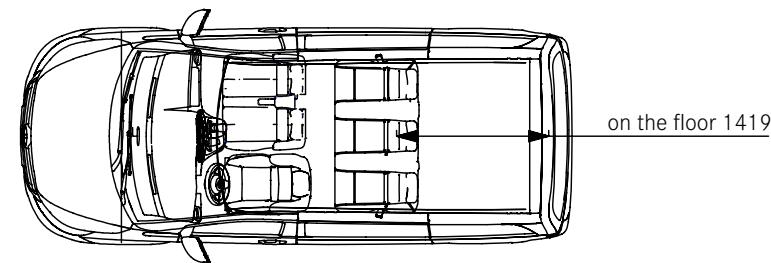
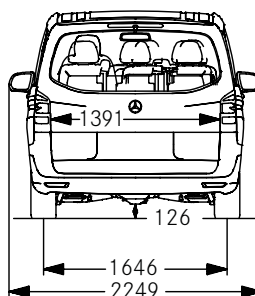
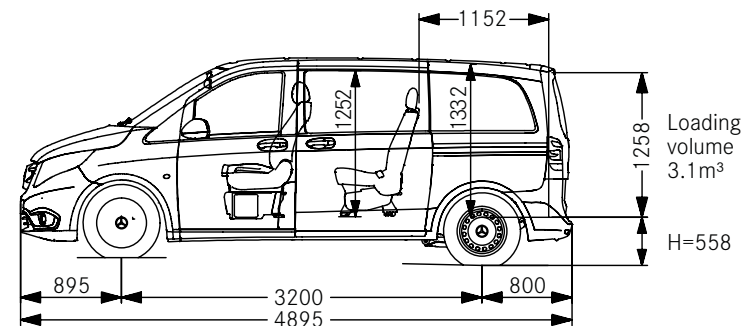
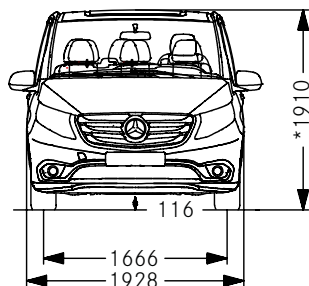
Dimensions.



RETURN TO START

CREW VAN L1 (includes SPORT)

Wheelbase	Wheelbase length	3,200mm
	Turning circle	11.8m
	Track circle	11m
	Front track width	1,666mm
	Rear track width	1,646mm
Vehicle	Length	4,895mm
	Height (unladen)	1,910mm (1,959mm SPORT)
	Width (inc. wing mirrors)	2,249mm
	Ground clearance	116mm (110mm SPORT)
Load compartment	Length	1,419mm
	Load volume	3.1m ³
	Max. width	1,685mm
	Width between wheel arches	1,270mm
	Height	1,391mm
	Rear loading height (step height from ground to load floor)	558mm



H ca. / *558 *unloaded
Turning circle Ø ca. 11.8m
Track circle Ø ca. 11m

* Measured on vehicle floor and includes 370mm for the space beneath the front seats.

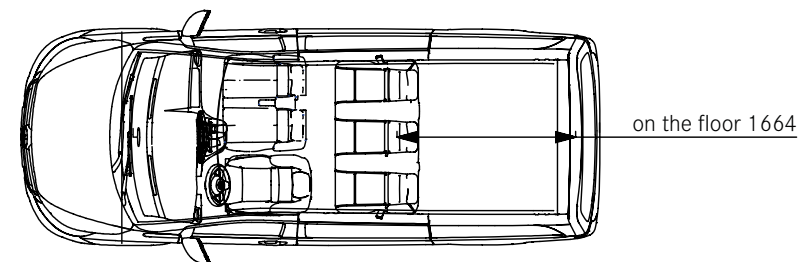
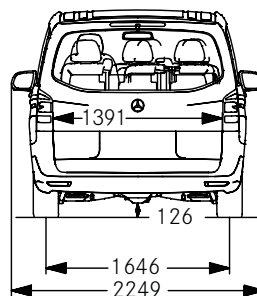
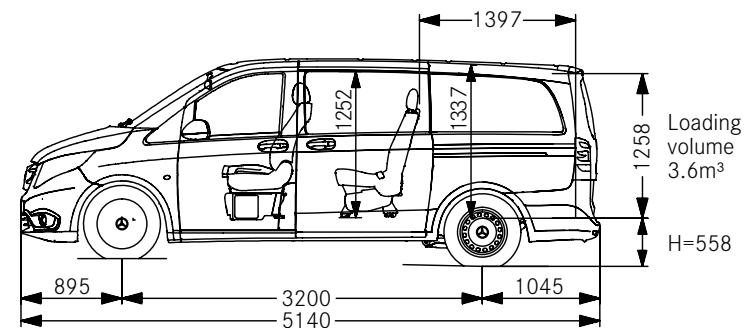
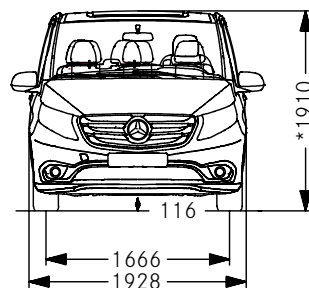
Dimensions.



RETURN TO START

CREW VAN L2 (includes SPORT)

Wheelbase	Wheelbase length	3,200mm
	Turning circle	11.8m
	Track circle	11m
	Front track width	1,666mm
	Rear track width	1,646mm
Vehicle	Length	5,140mm
	Height (unladen)	1,910mm (1,959mm SPORT)
	Width (inc. wing mirrors)	2,249mm
	Ground clearance	116mm (110mm SPORT)
Load compartment	Length	1,664mm*
	Load volume	3.6m ³
	Max. width	1,685mm
	Width between wheel arches	1,270mm
	Height	1,391mm
	Rear loading height (step height from ground to load floor)	558mm



H ca. / *558 *unloaded
Turning circle Ø ca. 11.8m
Track circle Ø ca. 11m

* Measured on vehicle floor and includes 370mm for the space beneath the front seats.

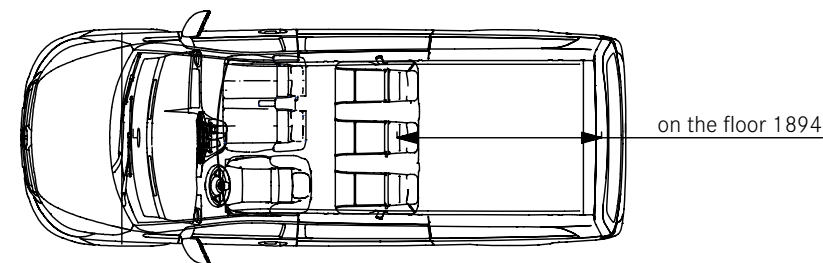
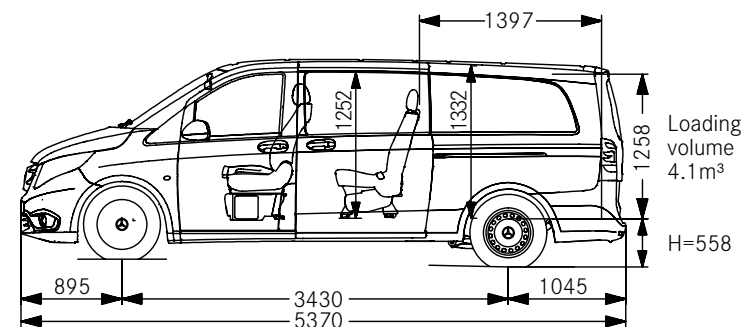
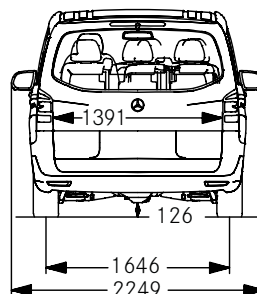
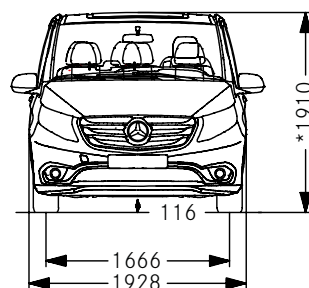
Dimensions.



RETURN TO START

CREW VAN L3

Wheelbase	Wheelbase length	3,430mm
	Turning circle	12.5m
	Track circle	12m
	Front track width	1,666mm
	Rear track width	1,646mm
Vehicle	Length	5,370mm
	Height (unladen)	1,910mm
	Width (inc. wing mirrors)	2,249mm
	Ground clearance	116mm
Load compartment	Length	1,894mm*
	Load volume	4.1m ³
	Max. width	1,685mm
	Width between wheel arches	1,270mm
	Height	1,391mm
	Rear loading height (step height from ground to load floor)	558mm



H ca. / *558 *unloaded
Turning circle Ø ca. 12.5m
Track circle Ø ca. 12m

* Measured on vehicle floor and includes 370mm for the space beneath the front seats.

List prices.



RETURN TO START

Model	Transmission	Basic Recommended Retail Price (Ex. VAT)	Basic Recommended Retail Price (Inc. VAT)
Panel Van – PROGRESSIVE			
110 RWD Van L1	6-speed (manual)	£24,465	£29,358
114 RWD Van L1	6-speed (manual)	£25,425	£30,510
116 RWD Van L1	9G-TRONIC (auto)	£29,225	£35,070
110 RWD Van L2	6-speed (manual)	£24,895	£29,874
114 RWD Van L2	6-speed (manual)	£25,860	£31,032
116 RWD Van L2	9G-TRONIC (auto)	£29,660	£35,592
110 RWD Van L3	6-speed (manual)	£25,460	£30,552
114 RWD Van L3	6-speed (manual)	£26,425	£31,710
116 RWD Van L3	9G-TRONIC (auto)	£30,225	£36,270
Panel Van – PREMIUM			
116 RWD Van L1	9G-TRONIC (auto)	£32,590	£39,108
119 RWD Van L1	9G-TRONIC (auto)	£34,165	£40,998
116 RWD Van L2	9G-TRONIC (auto)	£33,020	£39,624
119 RWD Van L2	9G-TRONIC (auto)	£34,600	£41,520
116 RWD Van L3	9G-TRONIC (auto)	£33,590	£40,308
119 RWD Van L3	9G-TRONIC (auto)	£35,165	£42,198

Model	Transmission	Basic Recommended Retail Price (Ex. VAT)	Basic Recommended Retail Price (Inc. VAT)
Crew Van – PROGRESSIVE			
110 RWD Van L1	6-speed (manual)	£26,390	£31,668
114 RWD Van L1	6-speed (manual)	£27,350	£32,820
116 RWD Van L1	9G-TRONIC (auto)	£31,195	£37,434
110 RWD Van L2	6-speed (manual)	£26,820	£32,184
114 RWD Van L2	6-speed (manual)	£27,785	£33,342
116 RWD Van L2	9G-TRONIC (auto)	£31,625	£37,950
110 RWD Van L3	6-speed (manual)	£27,390	£32,868
114 RWD Van L3	6-speed (manual)	£28,350	£34,020
116 RWD Van L3	9G-TRONIC (auto)	£32,195	£38,634
Crew Van – PREMIUM			
116 RWD Van L1	9G-TRONIC (auto)	£34,555	£41,466
116 RWD Van L2	9G-TRONIC (auto)	£34,990	£41,998
119 RWD Van L2	9G-TRONIC (auto)	£36,565	£43,878
116 RWD Van L3	9G-TRONIC (auto)	£35,555	£42,666
119 RWD Van L3	9G-TRONIC (auto)	£37,130	£44,556
Crew Van – SPORT			
116 RWD Van L1	9G-TRONIC (auto)	£42,805	£51,366
119 RWD Van L1	9G-TRONIC (auto)	£44,055	£52,866
116 RWD Van L2	9G-TRONIC (auto)	£43,230	£51,876
119 RWD Van L2	9G-TRONIC (auto)	£44,475	£53,370

This vehicle is predominantly designed for the purpose of carrying goods. If you intend to use or modify the vehicle for commercial and private use then it could be classified for tax purposes as a car and therefore subject to increased BIK and RFL liabilities.

This document is for guidance only and must be used in conjunction with a configuration tool prior to final specification decisions and vehicle quotations being prepared and accepted. List prices are quoted ex-factory unless otherwise stated. Delivery charges excluding VAT will be added to model prices quoted in this document. Prices based on standard finish paint choice. Mercedes-Benz Vans UK and authorised Dealers reserve the right to alter specification and vary prices without notice. The availability of options may depend on the chosen base vehicle and other optional equipment specified, and should be confirmed with your Mercedes-Benz Vans Dealer prior to order placement. VAT is calculated at the standard rate of 20%. Mercedes-Benz Vans UK Ltd, Tongwell, Milton Keynes MK15 8BA.

Mercedes-Benz Approved Used vans.

Get used to more...

More choice. More confidence. More quality – and more added extras.

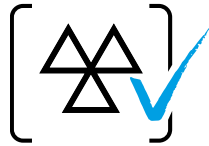
As a Mercedes-Benz Approved Used customer, you'll have complete peace of mind as every van offers the same commitment to quality and workmanship as new and comes with:



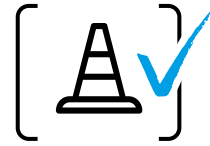
Minimum 12-month warranty*
PLUS the option of monthly top-ups, up to 24 months*



Free MOT test failure cover**
covering you for £1,500



Minimum
3 months MOT



Free 24/7 breakdown cover
and roadside assistance^



Free 7-day driveway
van insurance^^



Comprehensive
multi-point vehicle check



Discounted
service plans

▶ [View our Dealer Networks Approved Used van stock](#)

*Warranty eligible up to 200,000 miles on approved used Mercedes-Benz Vans with less than 150,000 miles at point of sale. Top ups are to a maximum of 24 months. For full T&Cs, please speak to your preferred sales representative. ** MOT cover redeemable per 12-months warranty. £1,500 claims limit. For more information, please speak to your preferred sales representative. ^ Free for 12 months initially and renewed at each service, if serviced by MB according to service intervals for up to 30 years from when the vehicle was first registered. For a full list of exclusions and all product terms please visit mbvans.co.uk/mobilovan ^^ Available on single vehicle policies only and applicable on Vehicles up to 3.5t only. For full terms and conditions, please consult your local Dealer. Mercedes-Benz Van Insurance is a trading name of Mercedes-Benz Insurance Services UK Limited. Prices are correct at time of going to press 07/2021. All prices are subject to any fiscal or legislative changes.



Approved
Used



What is an Approved Used van?

- Is no older than 6 years old
- Has less than 150,000 miles on the clock
- Is eligible for one of our flexible finance plans

▶ [Find more information and our latest Approved Used offers](#)

Ready to go electric?

▶ [Find our latest Approved Used Electric offers](#)

Finance options.



RETURN TO START

Get an agreement that suits you with Mercedes-Benz Finance.

At Mercedes-Benz Finance we understand what it takes to run a modern-day business. Because of this, we have a number of finance options ready to suit your business needs.

Agility

A flexible way of financing a vehicle over a fixed term. At the start of your agreement, decide on your deposit amount, expected annual mileage and how long you want the agreement to last.

- You'll have fixed regular payments meaning you can easily budget
- Payments are only based on a part of the vehicle's value, keeping your payments lower
- You're in control: At the end of the agreement you can decide to purchase your vehicle, return it, or part-exchange it for a new one.

Hire Purchase

A great choice if you want to own the vehicle outright. At the start of your agreement, decide on your deposit amount and how long you want the agreement to last, and we'll work out your monthly payments.

- The monthly payments are not based on annual mileage
- You have the option to have a balloon payment at the end of the agreement, which will lower your monthly payments
- When you've paid all the monthly repayments and Purchase Activation Fee, the vehicle is yours to keep.

Operating Lease

For those who want to drive a Mercedes-Benz over a fixed term, without the commitment of taking full ownership. Decide on your advance rental amount, expected annual mileage, and how long you want the agreement to last.

- Once all rentals are paid, you simply hand your vehicle back
- You only repay part of the vehicle's value, keeping your monthly rentals lower
- For business customers, rentals are allowable against taxable profits (proportionally).

Contract Hire

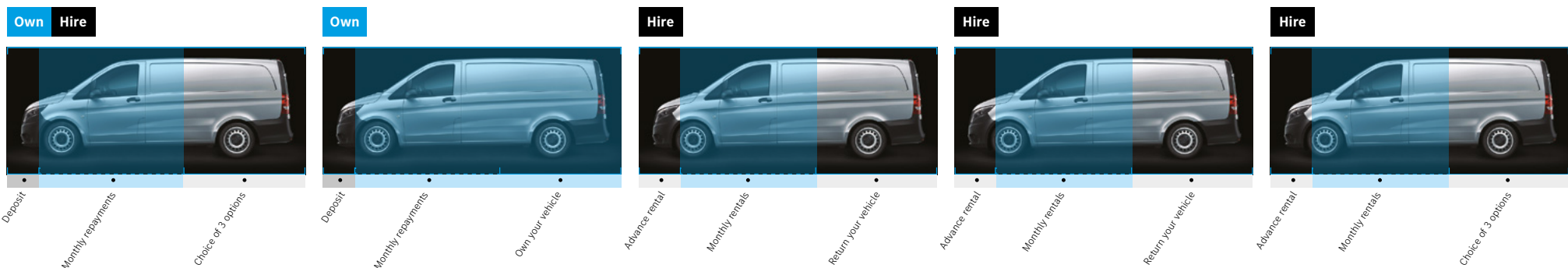
Gives you the ability to enjoy driving a Mercedes-Benz without taking on full ownership. Decide on your advance rental amount, expected annual mileage how long you want the agreement to last, and any servicing options.

- The monthly rentals include the cost of the Vehicle Excise Duty
- You only repay part of the vehicle's value, keeping your monthly rentals lower
- For business users, VAT is reclaimable depending on your usage (proportionally).

Finance Lease

Hire the vehicle for a fixed period without the option of ownership. Pay an agreed amount upfront, and decide if you wish to include a balloon payment at the end of your agreement. This lowers your monthly rentals.

- The fixed regular rentals enable you to easily budget, and are not based on annual mileage
- The vehicle is an asset on the balance sheet, therefore tax allowances may be deducted from taxable profits
- At the end of your agreement, there is an option to extend for an agreed period by paying a 'peppercorn' payment. This is equal to one month's rental per annum.



▶ [For more information about our finance options](#)

Service24: Demand more

The most comprehensive Aftercare package – for businesses that demand more.

Our 120-strong Dealer network works around the clock to service and maintain your vans and keep your business moving. It all adds up to more value, more flexibility and more confidence that you'll only find at an authorised Mercedes-Benz Dealer.



› Flexible servicing and maintenance

Book your service online or by telephone, and as well as a standard 'drop and go' service with a courtesy van, you'll also get:

- Early bird, late night and weekend slots
- Mobile service
- Overnight service
- Collect & deliver service
- Express 1hr service
- Electric van service.

[Find out more about service and repairs](#)

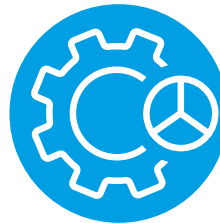


› Flexible ways to pay and save

With fixed, transparent national pricing there are no surprises with our services and repairs – plus you can fix, spread and reduce your service and maintenance costs, and ease your cashflow at the same time, with a payment plan.

- Pay as You Go
- ServiceCare Maintenance
- ServiceCare Flex (specifically for fleets)
- ServiceCare Complete.

[Find out more about service options](#)



› 3-year unlimited mileage warranty

Available on every new van, all service and maintenance – and any work required – is covered by your 3-year unlimited mileage warranty, and is only undertaken by Mercedes-Benz trained technicians using Mercedes-Benz GenuineParts.

[Find out more about warranties](#)



› Free breakdown cover & roadside assistance*

Every van comes with free Europe-wide breakdown cover – MobiloVan. And with 3 years' cover on new vehicles for driver mishaps, no one goes further to keep your business moving.

- Trained technicians using only Mercedes-Benz GenuineParts
- Forward travel of load and crew is covered
- Driver mishap cover for the first 3 years, including out of charge cover or empty fuel tanks.

[Find out more about MobiloVan](#)

*For a full list of exclusions and all product terms please visit www.mercedes-benz.co.uk/vans/en/Owners/MobiloVan

