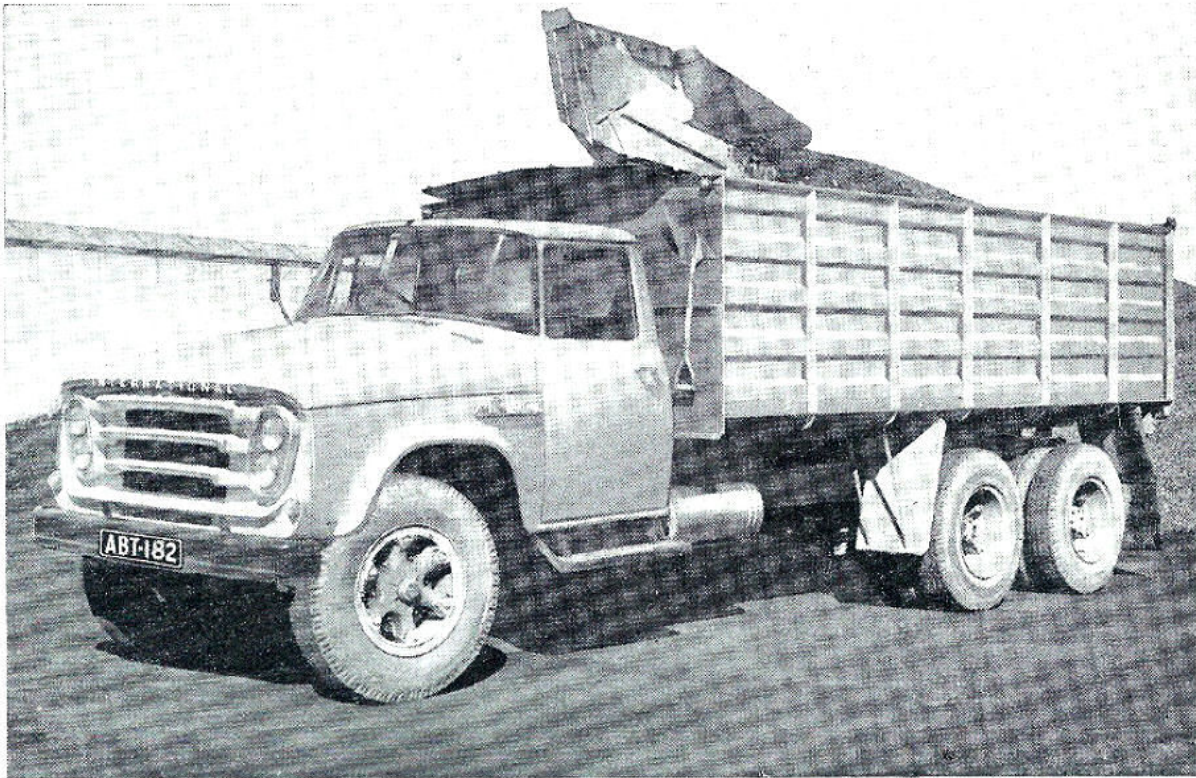


# new INTERNATIONAL ABT-182 MODEL motor trucks

ABT-182 trucks are equipped with TandemTrac, the trailing rear-axle tandem-bogie, factory fitted only to International trucks. It prolongs tyre life and gives phenomenal mileage before recaps are

necessary. TandemTrac gives automatic tracking, variable springing, automatic weight distribution and full axle compensation but requires no lubrication.



## axle loadings

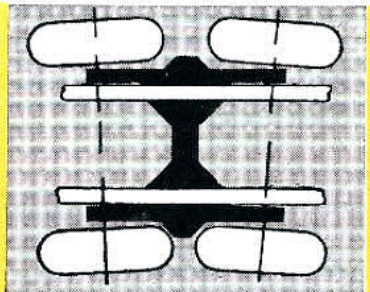
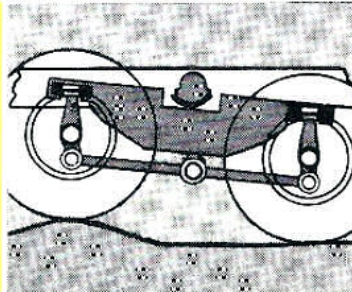
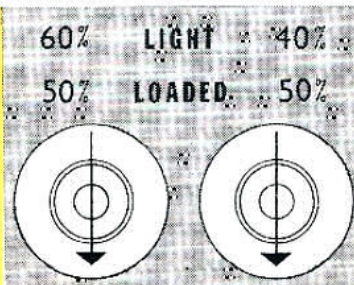
When running unloaded, two coil springs transfer weight from the trailing axle and give 60% of load to drive axle. Increasing the weight proportionally overcomes the influence of the coil springs to give each axle an equal share when vehicle is fully loaded.

## no lubrication

TandemTrac design has minimised undesirable friction to a point where lubrication, maintenance, or periodical inspection for breakdown of bushings or bearings, as with other tandems, is not required. Springs have no shackles or pins and "rocking-chair" bearings last the life of the tandem.

## automatic tracking

TandemTrac design gives controlled and directed change; this allows the axles to move laterally, and the hub-to-hub distance to change slightly. Without this controlled change there is no tracking on any tandem. The axles provide 6° of steering — tracking is instantaneous.



# ESSENTIAL INFORMATION MODEL ABT-182

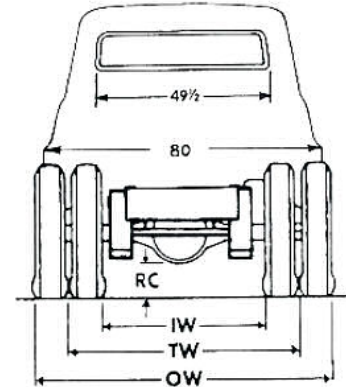
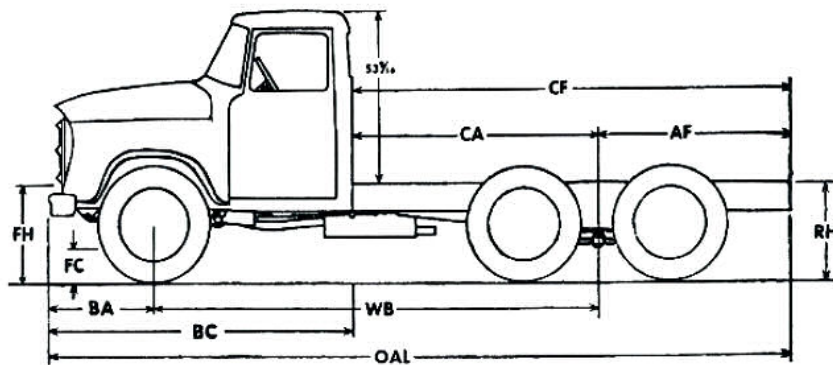
## weight ratings

Wheelbase, inches	177	195
Gross vehicle weight, lb. (9.00-20, 12 ply tyres)	35000	35000
Gross combination weight, lb. (9.00-20, 12 ply tyres)	43500	43500
Payload, inc. body weight (truck with cab), lb.	26096	26068
Cab and chassis weight, including oil, water, 2 gall. fuel & spare tyre, lb.:		
Front axle	3304	3388
Rear axle	5600	5544
Total	8904	8932
Axle Capacities, lb.:		
Front	7000	7000
Rear	32000	32000

## chassis dimensions, inches

Wheelbase	(WB)	177	195
Overall length including bumper	(OAL)	285 5/16	303 5/16
Back of cab to rear axle	(CA)	108	126
Rear axle to end of frame	(AF)	72	72
Frame length from back of cab	(CF)	180	198
Bumper to front axle	(BA)	36 5/16	36 5/16
Bumper to back of cab	(BC)	105 5/16	105 5/16
Height to top of chassis frame, 9.00-20 tyres:			
Front loaded	(FH)	32	32
Rear loaded	(RH)		
Rear empty	(RH)	36 3/8	36 3/8

Road clearance, 9.00-20 tyres:			
Front axle	(FC)	11 1/2	11 1/2
Rear axle	(RC)	9 5/8	9 5/8
Maximum width (cab)		86 1/2	86 1/2
Overall width (rear axle)	(OW)	91 3/4	91 3/4
Tread: Front wheels	(TW)	67 1/16	67 1/16
Rear wheels	(TW)	70	70
Inside width	(IW)	49	49
Turning radius, ft.:			
To centre line of tyre		31 1/2	34 1/2
With bumper clearance		33	36



## standard specifications

**FRAME:** Pressed steel channel with full channel reinforcement and full-width full-depth rear crossmember. Size 9" x 3" x 1/4".

**ENGINE:** International AGD-282, six-cylinder valve-in-head type, 3 13/16" bore, 4 1/8" stroke, displacement 282.546 cu. in. Compression ratio 6.8 to 1. Horsepower—R.A.C. rating 34.8, max. brake 148 @ 3800 r.p.m. Max. torque 243.5 lb. ft. @ 1800 r.p.m. Four steel-back, precision, removable-shell main bearings with max. projected area of 16.502 sq. in. Sodium cooled exhaust valves. Roto coil inlet and exhaust valves. Exhaust-valve inserts.

**LUBRICATION:** Full pressure to all main, connecting-rod and camshaft bearings. Full-flow oil-filter system with removable-cartridge. Crankcase capacity 9 pints (refill).

**COOLING SYSTEM:** Centrifugal pump, balanced circulation. V-belt driven. Fin-and-tube radiator. Large-capsule type thermostat. Capacity, entire system 13.5 quarts.

**ELECTRICAL SYSTEM:** 12-volt. Vacuum-control, full automatic distributor. Battery 61 amp. hr. capacity. 30 amp. generator. Four sealed-beam headlights, parking lights located below headlights, incorporating flashing turn indicators.

**FUEL SYSTEM:** Horizontal diaphragm, camshaft-driven fuel-pump. Dual-throat downdraft carburettor. Oil-bath air-cleaner. Fuel tank 17 1/2 gallon, located under cab skirt, right side.

**CLUTCH:** 12" diameter with roller type fingers. Vibration damper. Lining area 149.23 sq. in.

**TRANSMISSION:** Constant mesh. Five speeds forward; ratios—7.35, 4.30, 2.52, 1.42 and 1.00 to 1. One reverse speed; ratio—7.20 to 1. P.T.O. openings on right and left sides. Lubricant capacity 10 pints.

**PROPELLER SHAFT:** Dynamically balanced, heavy-gauge steel-tubing. Needle-bearing, anti-friction universal joints.

**AXLE, FRONT:** Forged, heat-treated, drop-centred I-beam. Steering knuckles of drop-forged, heat-treated, nickel-chrome-molybdenum steel.

**AXLE, TANDEM REAR:** TandemTrac with front axle drive. Driving axle—full-floating, two-speed, electric-shift, hypoid type; four pinion planetary-spur reduction gears (for low ratio); Hotchkiss drive; chrome-molybdenum-steel axle shafts; heat-treated, one-piece, tubular banjo-type steel housing, pinion overhung; ratios 6.50/9.04 to 1. Trailing axle—tubular steel.

**BRAKES, HAND:** External contracting on propeller shaft. Lining area 74.46 sq. in.

**BRAKES, SERVICE:** Hydraulic—vacuum booster. Both primary and secondary shoes equally effective in either forward or reverse direction. Oil-bath vacuum-line air-cleaner. Total effective lining area 784.6 sq. in.

**SPRINGS:** Front—semi-elliptic 46" x 2 1/4". Rear—TandemTrac enclosed two-stage type.

**STEERING:** Semi-reversible, cam and roller mounted twin-lever gear. 19" diam. safety type steering wheel. Ratio 22 to 1.

**WHEELS:** Cast spoke.

**TYRES:** 9.00-20, 10 ply, duals rear.

**CAB:** Full width, padded seat and back cushions with vinyl-coated covering; seat adjustable 4". Safety glass windshield, windows and Silent-Vent window wings. Safety type door latches, right-door lock. Large externally mounted rectangular rear-vision mirror. Dual electric self-parking windshield wipers. Dual sun-visors. Ash-tray. Glove compartment. Vinyl-coated head-liner. Heavy-duty insulated floor mat. Concealed upper steps.

**STANDARD EQUIPMENT:** Cab and chassis, front bumper, spare wheel, tool-kit and jack.

**FINISH:** Frame, wheels, bumper and external step, black. Choice of six colours on fenders, hood and cab.

**COLOURS:** Granite grey, Goulburn green, Broome blue, Nullarbor beige, Harvester red, Harvester green.

### OPTIONAL EQUIPMENT:

Frame: Chrome front bumper.

Cab: Cowl with windscreen and header-panel.  
Cowl with windscreen, header-panel and doors.  
Parcel shelf.

Tyres: 9.00-20, 12 ply.

In order that product improvements may be introduced at any time, the right is reserved to change specifications without notice. Illustrations shown may include non-standard items.