



Volkswagen

The Caddy

Specifications



Features and Specifications

	SWB Trendline TSI220 DSG	Maxi Trendline TSI220 DSG	Maxi Comfortline TSI220 DSG
Safety and Security			
Airbags			
Front airbag for driver and front passenger	●	●	●
Side/head airbags for driver and front passenger	●	●	●
Curtain airbags for outer seats in 2nd row	●	●	●
Seat belts			
3-point seat belts with height adjustment and belt tensioners for driver and front passenger	●	●	●
3-point seat belts in 2nd row of seats, outer seats with seat belt tensioners	●	●	●
3-point seat belts in 3rd row of seats (if bench seat fitted)	●	●	●
Seat belt warning light and buzzer for driver and front passenger seats	●	●	●
Child Restraints			
Child seat top tether anchorage points (3 x 2nd row of seats)	●	●	●
ISOFIX child seat anchorage points (2 x 2nd row outer seats)	●	●	●
Brakes and Traction Control			
Multi-Collision Brake (MCB)	●	●	●
Electronic Stabilisation Programme (ESP)	●	●	●
Anti-lock Braking System (ABS)	●	●	●
Brake Assist System (BA)	●	●	●
Traction Control System (TCS)	●	●	●
Electronic Differential Lock (EDL)	●	●	●
Extended Electronic Differential Lock (XDL)	●	●	●
Hill Hold Control	●	●	●
Driver Assistance Technology*			
Driver Fatigue Detection	●	●	●
Rear Park Distance Control with rear view camera system	●	●	●
Lighting			
Halogen headlights (H4)	●	●	—
Dual halogen headlights (H7)	—	—	●
Daytime Running Lights (DRL)	●	●	●
Automatic headlight activation with separate daytime running lights, "Leaving Home" and manual "Coming Home" function	—	—	●
Headlight range adjustment	●	●	●
High stop light	●	●	●
Rear fog light	●	●	●

*Safety technologies are not a substitute for the driver's responsibility of the vehicle.

● Standard ○ Optional Extra — Not available

Safety and Security (continued)

	SWB Trendline TSI220 DSG	Maxi Trendline TSI220 DSG	Maxi Comfortline TSI220 DSG
Locking			
Engine immobiliser (electronic)	●	●	●
Central locking system with radio remote control and interior release mechanism	●	●	●
Two (2) remote control folding keys	●	●	●
Child safety locks on rear sliding doors	●	●	●
Head Restraints			
Front safety optimised head restraints, height adjustable	●	●	●
Rear head restraints, height adjustable for all seating positions	●	●	●

Exterior Equipment / Styling

Doors			
Sliding door, left, in passenger compartment	●	●	●
Sliding door, right, in passenger compartment	●	●	●
Lifting tailgate with window and rear spoiler	●	●	●
Windows			
Heat-insulating windshield made of laminated glass	●	●	●
Heat-insulating glass (green)	●	●	●
Rear privacy glass	—	—	●
Side windows (opening) in sliding doors	●	●	●
Side windows (fixed) in rear of passenger compartment	●	●	●
Rain sensing wipers	—	—	●
Windscreen wiper intermittent control	●	●	●
Heated rear window with wiper/washer system	●	●	●
Power windows with comfort operation and circuit breaker (front)	●	●	●
Body Enhancements			
Body coloured bumpers	●	●	●
Body coloured exterior mirror housings, door handles and sliding door cover	●	●	●
Black side protective strips	●	●	—
Body coloured side protective strips	—	—	●
Black grained radiator grille with 1 decorative chrome strip	●	●	—
High-gloss black radiator grille with 3 decorative chrome strips	—	—	●
Side turn signals with chrome base	—	—	●
Black roof rails	—	—	●
Roof rack mounting points (per side)	3	4	—
Trailer hitch preparation	○	○	○

Exterior Equipment / Styling (continued)

Wheels and Tyres

16" steel wheels with full wheel covers
- 205/55 R16 94H tyres

4 x 16" alloy wheels – BENDIGO
- 205/55 R16 94H tyres

Steel spare wheel - full size, OE tyre

Tool kit with vehicle jack

SWB Trendline TSI220 DSG

Maxi Trendline TSI220 DSG

Maxi Comfortline TSI220 DSG

●

●

—

○

○

●

●

●

●

●

●

●

Comfort and Convenience

Air Conditioning

Air conditioning system, manual

Climatronic air conditioning system, with dual temperature control with anti-allergen filter

Dust and pollen filter

●

●

—

—

—

●

●

●

●

Cruise control

Cruise Control, including speed limiter

●

●

●

Luggage Area

Lashing rings for load restraint

Luggage compartment cover, extractable and removable

Luggage compartment cover, foldable and removable

4

6

6

○

—

—

—

○

●

In-Car Entertainment and Technology

Composition Colour audio system

5" colour touch screen display, AM/FM radio with phase diversity tuner, CD player (MP3/WMA compatible), AUX and SD card slot, external USB input, and four (4) speakers. Car menu with convenience and service settings. Includes display for park distance control.

●

●

—

Composition Media audio system with App-Connect^

6.33" colour touch screen display with proximity sensor, AM/FM radio, CD player (MP3/WMA compatible), SD card slot, external AUX and USB inputs, and six (6) speakers. Car menu with convenience and service settings. Includes display for park distance control. App-Connect USB interface for Apple CarPlay®, Android Auto™ and MirrorLink® in front centre console.

○

○

●

Discover Media audio and satellite navigation system with App-Connect^ and voice enhancer

6.33" colour touch screen display with proximity sensor, AM/FM radio, CD player (MP3/WMA compatible), 2 x SD card slots for music and navigation data, external AUX and USB inputs, and six (6) speakers. 2D and 3D (bird's eye) map views. Car menu with convenience and service settings. Includes display for park distance control. App-Connect USB interface for Apple CarPlay®, Android Auto™ and MirrorLink® in front centre console.

○

○

○

Voice Control and Voice Enhancer (available with Discover Media only)

○

○

○

Bluetooth® phone connectivity with contacts display and Bluetooth® audio streaming, operation via touch screen audio unit or Multi-Function Display

●

●

●

Audio, telephone, cruise control and Multi-Function Display controls mounted on steering wheel

●

●

●

12-volt socket on dashboard (additional to cigarette lighter)

●

●

●

12-volt socket in passenger compartment

—

—

●

● Standard ○ Optional Extra — Not available

^App-Connect is compatible for selected apps with the latest smartphone versions of iOS and Android

Comfort and Convenience (continued)

Instrumentation

Speedometer & tachometer, electronic odometer and trip meter, service interval display, fuel and coolant gauges, low fuel warning light, adjustable illumination

Multi-Function Display (MFD Plus) - trip time, trip length, average and current speed, average and current fuel consumption, display until empty and ambient temperature, digital clock, vehicle status, audio, telephone and navigation (if fitted) menus

Interior Lighting

Reading lights, front

Convenience lighting in rear

Roof light in passenger compartment

Interior Trims

Decorative inserts in dashboard, "Dark Silver Brushed"

Decorative inserts in dashboard, "Checker Plate Titan"

Armrests in rear doors, for 2nd row passengers

Moulded headlining in passenger area

Leather-wrapped handbrake lever and gearshift knob

Chrome accents on air vents

Carpet floor covering in cab and passenger compartment

Mirrors

Passenger vehicle style exterior mirrors (left: convex, right: aspherical)

Exterior mirrors, power adjustable and heated

Dimming breakaway interior rear view mirror

Auto dimming breakaway interior rear view mirror

Power Steering

Servotronic (electro-mechanical speed-sensitive power steering)

Seating

Height adjustment for both front seats

Lumbar support (manually adjustable) for both front seats

3-seater bench in 2nd row of seats (folding, folding/tipping, removable)

2-seater bench in 3rd row of seats (folding, removable)

Cloth seat covering "Katumo"

Cloth seat covering "Pandu"

Folding tray table on back of both front seats

Grab handles for driver and front passenger

Steering Wheel

3 spoke leather covered flat bottom steering wheel

Audio, telephone, cruise control and Multi-Function Display controls mounted on steering wheel

Steering wheel height and tilt adjustment

SWB Trendline TSI220 DSG

●

●

●

●

●

●

—

●

●

●

—

—

●

●

●

●

—

●

●

—

●

○

●

—

—

●

●

●

●

Maxi Trendline TSI220 DSG

●

●

●

●

●

●

—

●

●

●

—

—

●

●

●

●

—

●

●

—

●

●

●

—

—

●

●

●

●

Maxi Comfortline TSI220 DSG

●

●

●

●

●

—

●

●

●

●

●

●

●

●

—

●

●

●

●

●

●

—

●

●

●

●

●

●

Comfort and Convenience (continued)

Storage

	SWB Trendline TSI220 DSG	Maxi Trendline TSI220 DSG	Maxi Comfortline TSI220 DSG
Draws under front seats	●	●	●
Centre console with centre armrest and 3 cup holders (2 front and 1 rear)	●	●	●
Height and longitudinal adjustment for front centre armrest	—	—	●
Roof shelf above front seats	●	●	●
Front door pockets	●	●	●
Front sunvisors with ticket holder and vanity mirror	●	●	●
Illuminated glove compartment with lockable lid	●	●	●
Central upper storage compartment (open)	●	●	●
Open storage compartment in front of gear lever	●	●	●
Storage hooks in passenger compartment	●	●	●
Cup holders for rear passengers	●	●	●
Hidden storage areas in 2nd row footwell	●	●	●
Ashtray, portable	●	●	●

Optional Packages

Driver Assistance Package (Trendline)*

Adaptive Cruise Control (ACC)			
Front Assist with City Emergency Braking (City EB)			
Front fog lights with static cornering function	○	○	—
Halogen twin headlights (H7)			
Light and Vision system: auto dimming inside rear view mirror; automatic headlight activation with separate daytime running lights, "Leaving Home" and manual "Coming Home" function; rain sensing wipers			

Driver Assistance Package (Comfortline)*

Adaptive Cruise Control (ACC)			
Front Assist with City Emergency Braking (City EB)			
Front fog light static cornering function			○
"Park Assist" system with front and rear park distance control, and active parking bay and parallel parking assistance			

Interior Comfort Package

Light and Vision system: auto dimming inside rear view mirror; automatic headlight activation with separate daytime running lights, "Leaving Home" and manual "Coming Home" function; rain sensing wipers	○	○	—
Lumbar support (manually adjustable) for both front seats			
12-volt socket in dashboard			

Exterior Upgrade Package

Bi-Xenon headlights with LED daytime running lights and dark tinted tail lamps			
5 x 17" alloy wheels - Rockhampton	—	—	○
Silver painted roof rails			

*Safety technologies are not a substitute for the driver's responsibility of the vehicle.

● Standard ○ Optional Extra — Not available

Technical Specifications

Engine	1.4 litre TSI220 BlueMotion Technology
Type	4 cylinder inline turbocharged direct injection petrol with engine Start/Stop system^
Max power, kW @ rpm	92 @ 4,800
Max torque, Nm @ rpm	220 @ 1,500–3,500
Cubic capacity, litres/cc	1,395
Bore/stroke, mm	74.5 x 80
Compression ratio	10.5 : 1
Fuel type (recommended)	Premium unleaded 95 RON minimum
Transmission	7 Speed DSG
Driven wheels	7 Speed Direct Shift Gearbox (DSG) with sport mode and Tiptronic function
Fuel consumption**	
Combined, L/100 km	6.0
Urban, L/100km	7.0
Extra Urban, L/100 km	5.4
Fuel tank capacity, L	55
Running gear	
Suspension	
Front axle	MacPherson strut with double wishbone and anti-roll bar
Rear axle	Rigid rear axle on leaf springs with load-dependent damper and anti-roll bar
Steering	Electro-mechanical power-assisted rack & pinion steering
Brake systems	Anti-Lock Braking System (ABS) with Electronic Brake-Pressure Distribution (EBD), Brake Assist and Electronic Stabilisation Program (ESP). Brake Energy Recuperation.
Brakes	Power assisted Hydraulic
Front	Ventilated Disc (312mm)
Rear	Disc (272mm)

^The Start/Stop system is designed to reduce fuel consumption and CO2 emissions. It achieves this by automatically switching off the engine while the vehicle is stationary and then starting it again automatically when the driver wants to drive off. There are certain operating conditions where the Start/Stop system is deactivated (e.g. during engine warm-up), please refer to the owner's manual for full operating information.

**Fuel consumption figures according to ADR 81/02 derived from laboratory testing. Factors including but not limited to driving style, road and traffic conditions, environmental influences, vehicle condition and accessories fitted, will in practice in the real world lead to figures which generally differ from those advertised. Advertised figures are meant for comparison amongst vehicles only.

Weights and capacities

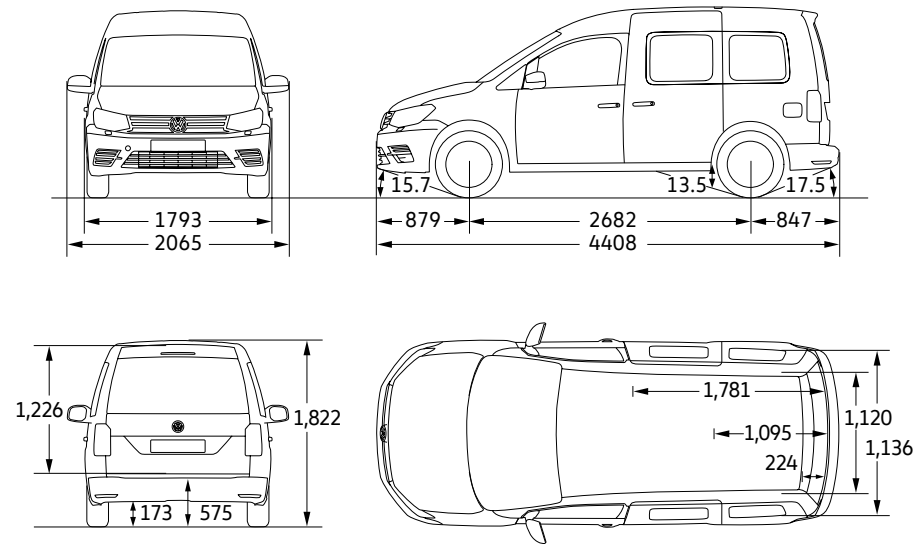
	SWB Trendline TSI220 MY16	Maxi Trendline TSI220 MY16	Maxi Comfortline TSI220 MY16
Weights			
Gross Vehicle Weight (GVM, kg)	2,280	2,280	2,280
Unladen Weight Mass ¹ (kg)	1,448	1,555	1,586
Roof Load (kg)	100	100	100
Towing Capacity, (kg)			
Braked [‡]	1,300	1,300	1,300
Unbraked	630	630	630
Trailer Load Limit, (kg)	100	100	100
Exterior dimensions			
Wheelbase (mm)	2,682	3,006	3,006
Vehicle Length (mm)	4,408	4,878	4,878
Vehicle Width (mm) excluding mirrors	1,793	1,793	1,793
Vehicle Width (mm) including mirrors	2,065	2,065	2,065
Vehicle Height (mm)	1,822	1,831	1,868
Front Overhang (mm)	879	879	879
Rear Overhang (mm)	847	993	993
Front Wheel Track (mm)	1,537	1,537	1,537
Rear Wheel Track (mm)	1,544	1,544	1,544
Ground Clearance (mm)	173	175	175
Slope Angle - Front (degrees)	15.7	15.9	15.9
Slope Angle - Rear (degrees)	17.5	15.3	15.3
Ramp Angle (degrees)	13.5	12.1	12.1
Turning Circle (m)	11.1	12.2	12.2
Interior			
Seating capacity	5 (2 + 3) Optional 7 seat package (2 + 3 + 2)	7 (2 + 3 + 2)	7 (2 + 3 + 2)
Cargo Volume (L) - behind 1st row	3,030	3,880	3,880
Cargo Volume (L) - 2nd row folded forward (without 3rd row)	2,852	3,700	3,700
Cargo Volume (L) - behind 2nd row	750	1,350	1,350
Cargo Volume (L) - behind 3rd row	190	530	530
Load Compartment Length (mm) - 2nd row folded forward	1,353	1,823	1,823
Load Compartment Length (mm) - without rear seats	1,781	2,250	2,250
Load Compartment Width (mm) - maximum	1,136	1,121	1,121
Load Compartment Width (mm) - at wheel arches	1,120	1,120	1,120
Load Compartment Height (mm)	1,226	1,233	1,233
Sliding Door Width (mm)	701	701	701
Sliding Door Height (mm)	1,086	1,086	1,086
Tailgate Width (mm)	1,183	1,183	1,183
Tailgate Height (mm)	1,127	1,127	1,127
Load Sill Height (mm)	575	581	581

1. The Unladen Mass (UM) includes 10L of fuel, vehicle fluids and no occupants. Figures quoted are for base model vehicles only.

[‡] Please note, Volkswagen Group Australia does not endorse or will not be held liable for any claim, loss or damage arising from the use or fitment of electronic trailer brakes.

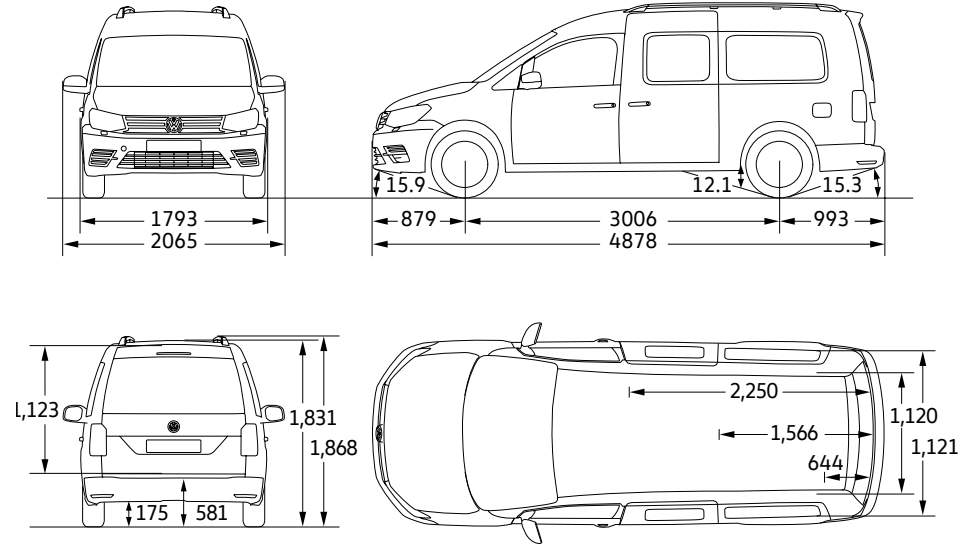
Technical Specifications

Caddy Trendline



All dimensions shown in mm.

Caddy Maxi Trendline and Maxi Comfortline



Roof rails shown for Comfortline model only.

Solid paint finishes



Candy White | Solid paint finish | B4B4



Cherry Red | Solid paint finish | 4B4B

Metallic and Pearlescent finishes



Reflex Silver | Metallic paint finish | 8E8E



Mojave Beige | Metallic paint finish | 1B1B



Indium Grey | Metallic paint finish | X3X3



Chestnut Brown | Metallic paint finish | H4H4



Deep Black | Pearl effect paint finish | 2T2T



Acapulco Blue | Pearl effect paint finish | 2W2W



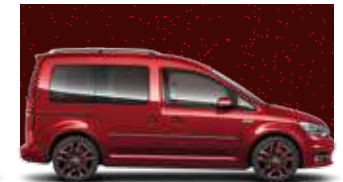
Starlight Blue | Metallic paint finish | 3S3S



Bamboo Garden Green | Metallic paint finish | 3T3T



Sandstorm Yellow | Metallic paint finish | 9U9U

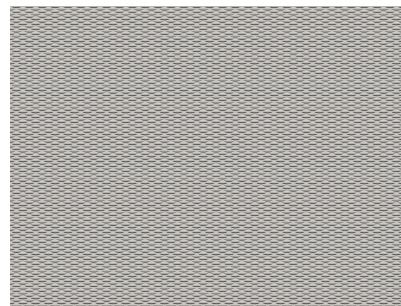


Fortana Red | Metallic paint finish | I9I9

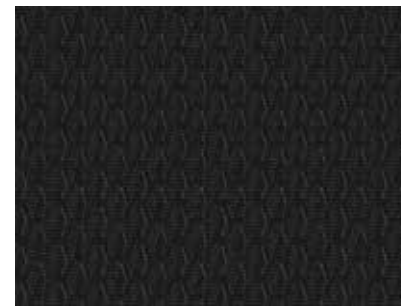
Decorative trims & Seat upholstery



Dark Silver Brushed | TL |



Checker Plate Titan | CL |



Kutamo | Cloth seat upholstery | Moonrock Titanium Black | TL |



Pandu | Cloth seat upholstery | Titanium Black | CL |

Please note that Cherry Red solid, Metallic and Pearl Effect paint are optional at extra cost. The print process does not allow for exact reproduction of the exterior or the upholstery colours. Please contact your Volkswagen Dealer for further information on colours and upholstery combinations. Overseas models shown.

| TL | Trendline

| CL | Comfortline

Standard equipment

Optional extra

General information

Owning a Volkswagen

Volkswagen New Vehicle Warranty

Every new Volkswagen vehicle is covered by a three-year unlimited kilometre manufacturer's warranty, which includes Volkswagen Assist (24-hour roadside assistance). Every new Volkswagen vehicle is also covered by a 3 year paintwork and 12-year anticorrosion perforation warranty. For further information regarding this New Vehicle Warranty, including pricing and terms and conditions, please consult your local Volkswagen dealer or visit www.volkswagen-commercial.com.au

Volkswagen Assist – 24-Hour Roadside Assistance

As a valued customer, you can be assured that wherever you travel within Australia, you will have access to roadside assistance, 24 hours a day, 365 days a year. This is complimentary for the duration of the vehicle's original Volkswagen warranty period. You will receive help in the event of a breakdown or accident and, if required, your vehicle will be mobilised or transported to an Authorised Volkswagen Workshop. As a Volkswagen owner you will also have access to the additional benefits of accommodation and car rental if your vehicle cannot be mobilised within 24 hours, when you are over 100km away from home.

Volkswagen Genuine Parts®

Volkswagen Genuine Parts® are designed for your vehicle and approved by Volkswagen, with particular regard to safety. The workmanship, dimensional accuracy and materials used in these parts comply with factory specifications. To ensure safety and reliability, Volkswagen recommends the use of Volkswagen Genuine Parts®. Volkswagen Authorised Dealers offer a two-year unlimited kilometre warranty on Genuine Parts from the date of purchase.

Volkswagen Financial Services

Buying, borrowing or leasing, Volkswagen Financial Services will certainly make you think differently about financing and insuring your new Volkswagen. Committed to meeting the needs of Volkswagen drivers across Australia, we offer a range of leasing, financing and insurance products, each with distinct advantages depending on your specific circumstances. We can tailor a solution to suit your individual requirements, so you can rest assured that there will be no surprises along the way. Speak to your local participating authorised Volkswagen Dealer today to put together a solution that best suits your lifestyle.

Volkswagen Choice Guaranteed Future Value^

Volkswagen Choice is a finance program available to approved applicants of Volkswagen Financial Services only, which provides Volkswagen owners protection around your Volkswagen's future value#, whilst offering a simple monthly instalment financing option. Enjoy the peace of mind of knowing the minimum value you can receive for your vehicle at the end of your contracted term. You can choose to either trade-in, return or retain your Volkswagen – it's your choice. Learn more about how to protect your investment by visiting www.vwfinancialservices.com.au today.

^The Volkswagen Choice Program consists of an option to require Volkswagen Financial Services to purchase your vehicle at the end of your Volkswagen Financial Services Chattel Mortgage, Consumer Loan or Hire Purchase for a value (known as the Guaranteed Future Value) determined by Volkswagen Financial Services and set out in your contract. The Guaranteed Future Value is not a representation by Volkswagen Financial Services as to the likely market value of your vehicle as at the end of your contract. The option is available on new and demonstrator Volkswagen vehicles for selected models only. Please verify with your dealership vehicles that are eligible for the program. #If vehicles are not returned in an acceptable condition, as defined in the terms and conditions or exceed kilometre restrictions the Guaranteed Future Value will be reduced. See the Volkswagen Choice Fair Wear and Tear Guide for more information on the required conditions and circumstances. The cost of the Volkswagen Choice Program is incorporated into the applicable interest rate. Please read the full terms and conditions. Please consider whether these products and services are appropriate for your circumstances. Before acting on any of the information on this page, please seek independent financial and tax advice. Full terms and conditions are available upon application. Available only to approved applicants of Volkswagen Financial Services. Subject to credit assessment. Fees and charges apply. Fleet, government, rental buyers, hire car and chauffeur companies are excluded. Available at participating Volkswagen dealers. Volkswagen Financial Services is a trading name of Volkswagen Financial Services Australia Pty Limited ABN 20 097 071 460. Australian Credit Licence 389344.

The Caddy

Volkswagen Group Australia Pty Ltd
24 Muir Road Chullora NSW 2190
ABN 14 093 117 876

September 2016
www.volkswagen-commercial.com.au

Publication: VWCCADPEOSPECMY17

Important information

Apple CarPlay® is a registered trademarks of Apple Inc. Android Auto™ is a registered trademark of Google Inc. MirrorLink® is a registered trademark of Car Connectivity Consortium LLC. Bluetooth® is a registered trademark of Bluetooth SIG Inc.

Volkswagen is distributed by Volkswagen Group Australia Pty Ltd, 24 Muir Road, Chullora, NSW 2190, ABN 14 093 117 876. Specifications are as planned at September 2016, for Model Year 2017 and are subject to change without notice or obligation. All information in this brochure is correct at the time of publication, however variations may occur from time to time and Volkswagen, in so far as it is permitted by law to do so, shall not be liable in any way as a result of any reliance by any person on anything contained in this brochure. Authorised Volkswagen dealers will provide up-to-date information on model application, design feature, prices and availability on request. All colours are a general guide only, as the printing process cannot reproduce the actual exterior colour appearance. See your dealer to confirm colour/model availability.

Your Volkswagen dealer.