



Commercial
Vehicles



The Crafter Range

Ready for the toughest jobs

100% innovation. 100% Volkswagen



Specially designed in collaboration with our diverse customer groups, we have built a commercial vehicle unlike any other.

Crafted by you, engineered by us, the Crafter range offers customer oriented transport solutions showcasing a modern, aerodynamic design.

Packed with cutting edge safety & assistance technology, available with a variety of drivelines & engines developed for the rigors of commercial use, the result is an advanced, practical & efficient range of vans, single cab & dual cab chassis models.

Your Choice of Engine & Transmission

Choose between two 2.0 TDI engines developed specifically for commercial applications – available in both 8-speed automatic and 6-speed manual transmissions.

Available in:

- 2.0 TDI 340 turbo (340Nm, 103kW)
- 2.0 TDI 410 bi-turbo (410Nm, 130kW)

Note: Engine availability varies depending on selected Van or Chassis variant.

3 Drive Concepts

4Motion All-Wheel-Drive

- Available up to and including 4.0t GVM

Front-Wheel-Drive

- Available up to and including 4.0t GVM

Rear-Wheel-Drive

- Choose between Dual and Single Rear Tyre variants
- Available up to and including 5.5t GVM

Note: GVM availability varies depending on selected body, driveline and engine combinations.

Van or Cab Chassis - A Crafter For All Requirements

With two wheelbases, an additional overhang option, three roof heights and six GVM options you can be sure there is a Crafter to suit your needs.

Enough Room for the Whole Team

With 3 seats in Vans & Single Cab variants, and 7 standard with Dual Cab variants, there is plenty of room for the team.

State of the Art Technology and Safety Systems Safety as Standard.

6 airbags#, Driver Fatigue Detection*, Multi-Collision Brake, Front and Rear Park Distance Control* and Rear View Camera*.

Largest Range of Optional Driver Assist Systems

With optional Adaptive Cruise Control*, Sensor based Side Protection, Side Assist*, Rear Traffic Alert*, Active Lane Keep Assist*, Park Assist*, Hill Descent Assist* and Mechanical Differential Lock.

Tech Systems

App-Connect^, 8" touchscreen and Voice Control standard across the range.

Customer-specific Function Control Unit (CFCU) for bodybuilder programming standard.

Customized For You

The Crafter has over 100 optional features to ensure that it meets your requirements in every way. With window packages, cargo area trim solutions, multiple door configurations, air-conditioning, battery and alternator upgrades available, you can build your Crafter your way.

*Safety technologies are designed to assist the driver, but should not be used as a substitute for safe driving practices. ^App-Connect is compatible for selected apps with the latest smartphone versions of iOS and Android, active data service, and connection cable (sold separately). #Excludes Crafter Van with high roof, without a partition and no right hand side sliding door. Vans with super-high roof have front and side airbags.



Standard for the Crafter Van

Interior

- Comfort Seat Plus for driver, longitudinal and height adjustment, electrical 4-way adjustable lumbar support, two adjustable armrests
- 2-seater front passenger bench seat with storage tray incl. 2 (two) cup holders and storage underneath
- LED lights in cabin
- Partition with fixed window and protective grille
- Storage system including overhead storage
- Four (4) 12 volt sockets
- Rubber flooring in the cabin

Functional

- Composition Media infotainment system with 8" colour touchscreen with proximity sensor and USB/AUX/SD input
- App-Connect^
- Voice Control
- Four (4) loudspeakers
- Bluetooth® phone and audio streaming capability
- Multi-function steering wheel with audio controls, telescopic adjustment
- Cruise control with speed limiter
- Electronic immobiliser
- Electromechanical power steering
- Central locking with remote control
- Power windows and heated exterior mirrors
- Manual Climatic air-conditioning system
- Stop/start system with generative braking
- Customer-specific Function Control Unit (CFCU) with bodybuilder programming
- Trailer wiring preparation

Safety and Driver Assist Systems

- Front Assist with City Emergency Brake*
- Driver Fatigue Detection*
- Multi-Collision Brake (MCB)
- Driver and front passenger front, side and curtain airbags#
- Front and Rear Parking Sensors*
- Rear View Camera*
- Crosswind Assist
- Hill Hold Assist
- Driver seat belt warning
- Adaptive Electronic Stabilisation Programme (ESP)
- Electronic Differential Lock (EDL)
- Traction Control System (TCS)
- Anti-lock Braking System and Brake Assist
- 10 lashing eyes for MWB and 12 for LWB

Exterior

- Halogen headlights
- Separate Daytime Running Lights (DRL)
- Side sliding door, left, 1,311mm wide
- Rear barn doors with window and wiper/washer
- 16" silver steel wheels with full sized steel spare wheel, tool kit and jack
- Side reflectors



Standard for the Crafter Single Cab Chassis

Interior

- Comfort Seat Plus for driver, longitudinal and height adjustment, electrical 4-way adjustable lumbar support, two adjustable armrests
- 2-seater front passenger bench seat with storage tray incl. 2 (two) cup holders and storage underneath
- LED lights in cabin
- Storage system including overhead storage
- Two (2) 12 volt sockets in the cabin
- Rubber flooring in the cabin

Functional

- Composition Media infotainment system with 8" colour touchscreen with proximity sensor and USB/AUX/SD input
- App-Connect^
- Voice Control
- Four (4) loudspeakers
- Bluetooth® phone and audio streaming capability
- Multi-function steering wheel with audio controls, telescopic adjustment
- Cruise control with speed limiter
- Electronic immobiliser
- Electromechanical power steering
- Central locking with remote control
- Power windows and heated exterior mirrors
- Manual Climatic air-conditioning system
- Stop/start system with generative braking
- Customer-specific Function Control Unit (CFCU) with body builder programming
- Trailer wiring preparation

Safety and Driver Assist Systems

- Front Assist with City Emergency Brake*
- Driver Fatigue Detection*
- Multi-Collision Brake (MCB)
- Driver and front passenger front, side and curtain airbags
- Hill Hold Assist
- Adaptive Electronic Stabilisation Programme (ESP)
- Anti-lock Braking System (ABS)
- Electronic Differential Lock (EDL)
- Driver seat belt warning
- Traction Control System (TCS)
- Anti-lock Braking System and Brake Assist

Exterior

- Halogen headlights
- Separate Daytime Running Lights (DRL)
- Rear panel with window
- 16" silver steel wheels with full sized steel spare wheel, tool kit and jack
- Side reflectors
- End cross member



Standard for the Crafter Dual Cab Chassis

Interior

- Comfort Seat Plus for driver, longitudinal and height adjustment, electrical 4-way adjustable lumbar support, two adjustable armrests
- 2-seater front passenger bench seat with storage tray incl. 2 (two) cup holders and storage underneath
- 4-seater bench in the 2nd row of seats with under seat storage
- LED lights in cabin
- Storage system including overhead storage
- Two (2) 12 volt sockets in the cabin
- Rubber flooring in the cabin

Functional

- Composition Media infotainment system with 8" colour touchscreen with proximity sensor and USB/AUX/SD input
- App-Connect^
- Voice Control
- Four (4) loudspeakers
- Bluetooth® phone and audio streaming capability
- Multi-function steering wheel with audio controls, telescopic adjustment
- Cruise control with speed limiter
- Electronic immobiliser
- Electromechanical power steering
- Central locking with remote control
- Power windows and heated exterior mirrors
- Manual Climatic air-conditioning system
- Stop/start system with generative braking
- Customer-specific Function Control Unit (CFCU) with body builder programming
- Trailer wiring preparation

Safety and Driver Assist Systems

- Front Assist with City Emergency Brake*
- Driver Fatigue Detection*
- Multi-Collision Brake (MCB)
- Driver and front passenger front, side and curtain airbags
- Hill Hold Assist
- Adaptive Electronic Stabilisation Programme (ESP)
- Anti-lock Braking System (ABS)
- Electronic Differential Lock (EDL)
- Driver seat belt warning
- Traction Control System (TCS)
- Anti-lock Braking System and Brake Assist

Exterior

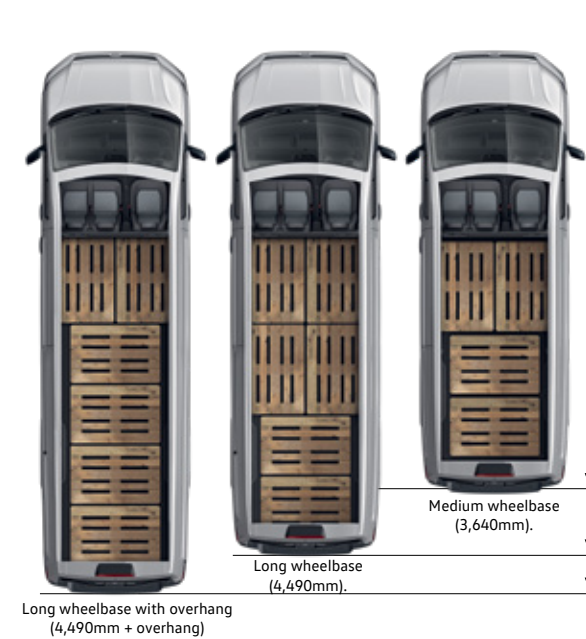
- Halogen headlights
- Separate Daytime Running Lights (DRL)
- Rear panel with window
- 16" silver steel wheels with full sized steel spare wheel, tool kit and jack
- Side reflectors
- End cross member

*Safety technologies are designed to assist the driver, but should not be used as a substitute for safe driving practices. ^App-Connect is compatible for selected apps with the latest smartphone versions of iOS and Android, active data service, and connection cable (sold separately). #Excludes Crafter Van with high roof, without a partition and no right hand side sliding door. Vans with super-high roof have front and side airbags.

The Crafter Van

Impressive loadability

With a choice of two wheelbases, an additional overhang option and three roof heights, the Crafter Van offers seriously impressive loadability with cargo volume ranging from 9.3m³ – 18.4m³ depending on configuration. In addition to impressive volume, the floor space of the medium wheelbase van allows the loading of four medium Euro pallets, while the long wheelbase with or without overhang fits six. Featuring the widest sliding door in its class with an opening width of 1,311mm and the option of a second sliding door, the Crafter makes loading and unloading a breeze.



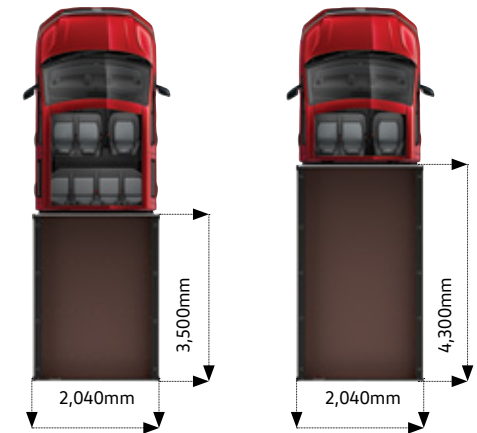
The lashing eyes are recessed to lie flush with the floor.

The Crafter Chassis

Versatile and reliable transport solutions

The Crafter Single and Dual Cab Chassis form the perfect base for a wide range of specialist applications and conversions. With a sturdy ladder frame chassis at the heart of both models, as well as numerous task-specific options, our Cab Chassis enables virtually any kind of body to be mounted.

The Crafter Chassis is available with the optional factory-fitted aluminium tray with folding drop-sides, safety latches and an integrated step for easier access. The inclusive wooden floor is made of multi-layered birch plywood with a screen-printed finish. 10 lashing eyes are embedded in the load platform frame.



Single and Dual Cab Chassis with aluminium load platform.



10 lashing eyes to secure the load are recessed into the platform and can be folded flush with the surface.

Three Drive Concepts



The **4Motion all-wheel drive** offers a transversely mounted front engine – available in 8-speed full automatic and 6-speed manual – distributing the drive power variably between front and rear axle.

- Optimum traction regardless of weather and surface.
- Safe straight driving even with side winds.
- Up to 4.0t GVM.
- Mechanical differential lock and hill descent assist optionally available.



The **Front Wheel Drive** offers a transversely mounted front engine – available in both 8-speed full automatic and 6-speed manual.

- Easier loading and unloading.
- 100mm lower loading sill.
- Increased load volume.
- Increased stability.
- More efficient power delivery.
- Up to 4.0t GVM.



The **Rear Wheel Drive** with single or dual rear tyres offers a longitudinally mounted front engine is available in 8-speed full automatic and 6-speed manual.

- Maximum traction for full loads and tail-heavy body styles.
- Less demanding load distribution.
- Available from 3.55t to 5.5t GVM.
- Power-take off on the gearbox optionally available.



Fully automatic

Powerful. Reliable. Durable. Designed & Developed Specifically for Commercial Vehicle Use

The Crafter Van and Chassis range offers a choice between an 8-speed automatic with torque converter and a 6-speed manual transmission, both of which have been calibrated especially for the Crafter's specific driving characteristics, providing great response even under load.

The 2.0L TDI engines have been developed specifically for commercial usage, meeting the highest performance and durability requirements. They are available in:

2.0L TDI340 turbo (340Nm, 103kW)

2.0L TDI410 bi-turbo (410Nm, 130kW)

Both feature BlueMotion technology including stop/start system and regenerative braking as standard.

Start/stop system. The system helps to drive economically and switches off the engine when in neutral.

Regenerative braking (recuperation). Frictional energy is stored during braking and converted into electrical energy by a generator. This is then stored in the car battery and available for electricity consumption and acceleration.



Playing it safe

Prepared to handle almost any situation

The Crafter is your constant companion. And it always plays it safe. Standard safety systems such as the Front Assist with City Emergency Brake*, Driver Fatigue Detection*, Multi-Collision Braking and six airbags# support the driver and help to keep everyone safe.



Driver Fatigue Detection*. Uses visual and audible warning signals to recommend that the driver takes a break as soon as it registers driving behaviour that indicates fatigue. | V | CH |



Seatbelt warning. Visual warning when the engine is started and an audible warning is emitted, if the driver's seatbelt is not fastened. | V | CH |



Airbags*. Front, side and curtain airbags provide the best possible protection in the event of head-on or side impacts. | V | CH |



Cruise Control with speed limiter. At 30km/h and above, the system maintains the set speed throughout uphill and downhill inclines when activated. | V | CH |



Anti-lock Braking System (ABS). Prevents the wheels from locking and thereby maintains manoeuvrability. | V | CH |



Electronic Stabilisation Program (ESP). Standard feature that prevents under- and over-steering through targeted braking of the individual wheels. | V | CH |



Traction Control Systems (TCS). Prevents wheels from spinning excessively. | V | CH |



Electronic Differential Lock (EDL). Distributes the engine torque to the tyres without slippage. | V | CH |



01 02

01 Rear View Camera (RVC)*.

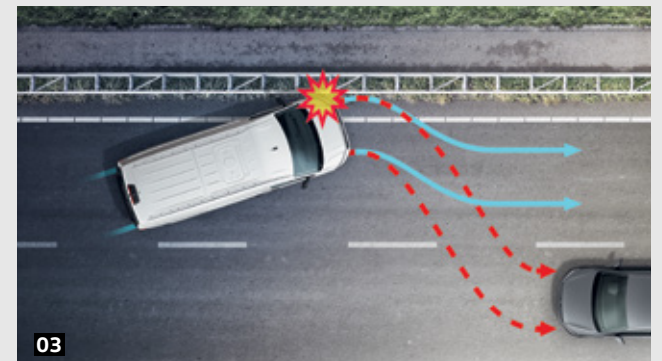
Simplifies parking by showing a limited view of the area behind the vehicle on the display of the radio. Additional guidelines help the driver manoeuvre into the space. | V |

Front and Rear Park Distance Control (PDC)*.

Emits audible warnings when obstacles are detected in front of or behind the vehicle when parking, and also provides a visual display of the vehicle's distance from these obstacles. | V |

02 Rear Traffic Alert*.

Provides an audible warning when reversing out of parking spaces if another vehicle is getting too close. In case the driver fails to react, then the system can minimise the consequences of a possible accident and, in the best case scenario, prevent an accident, through braking intervention. Forms part of 'Driver Assistance Package 2'. | V |



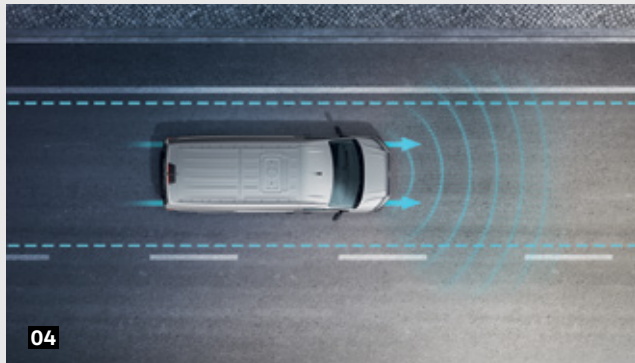
03

03 Multi-Collision Braking.

Triggers braking after a collision, with the aim of preventing secondary crashes, activated when two independent sensors detect an accident. After a short delay, the vehicle begins a phased braking action down to 10 km/h, during which the driver can take over at any time. | V | CH |

Electromechanical power steering. The speed-dependent steering with active reset improves your driving feeling and safety and achieves steering precision. | V | CH |

Hill Hold Assist. This prevents the vehicle from rolling back on inclines, making it easier to start off on uphill slopes. | V | CH |



04 Lane Keep Assist*.

Countersteers if a lane is left unintentionally while alerting the driver at the same time by using a warning tone and information in the multifunction display. Forms part of 'Driver Assistance Package 2' and Driver Assistance Package 'Chassis'. | V | CH |



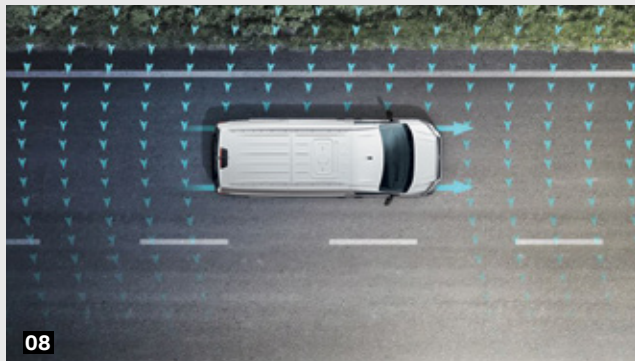
05 Sensor-Based Side Protection*.

Monitors the vehicle sides and emits visual and audible warnings if coming hazardously close to pillars, walls or pedestrians. Forms part of 'Driver Assistance Package 2'. | V |



06 Front Assist with City Emergency Braking*.

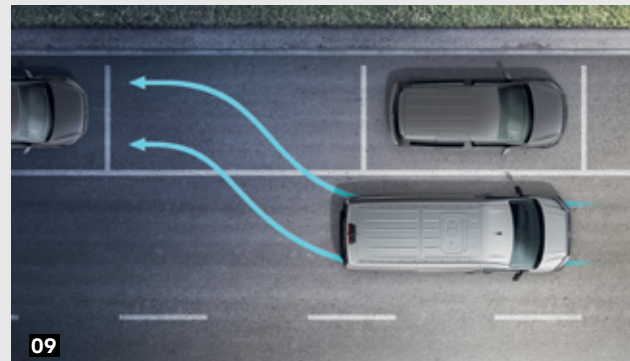
Uses a radar system to detect situations where the distance to the vehicle in front is critical and reduces the vehicle's stopping distance. In dangerous situations, the system alerts the driver using visual and acoustic signals, and with a warning jolt of the brakes. | V | CH |



08 Crosswind Assist.

The system is a sub-function of the Electronic Stabilisation Program (ESP) that helps dealing with high crosswinds by automatically activating the brakes if needed. | V |

Hill Descent Assist. Available with 4Motion, it allows you to descend slopes in a safe, controlled way by regulating the engine speed and applying the brakes as necessary. Forms part of the 'Driver Assist Package 4Motion'. | V |



09 Park Assist*.

Handles multi-step parking into parallel parking spaces. When the reverse gear is engaged, the vehicle automatically assumes control of the steering. All the driver has to do is operate the clutch, accelerator, and the brake. Forms part of 'Driver Assistance package 3'. | V |

Mechanical Differential Lock. Available for the rear axle together with the 4MOTION all-wheel drive. This makes starting up in adverse, off-road conditions much easier. Forms part of the 'Driver Assist Package 4Motion'. | V |

07 Adaptive Cruise Control ACC*.

Automatically adapts the vehicle's speed to that of the vehicle driving in front and maintains the distance set by the driver. Forms part of 'Driver Assistance package 4'. | V | CH |

Optional Driver Assistance Packages:

Driver Assistance Package 1: Fog Lights with cornering function and Light & Sight. | V |

Driver Assistance Package 2: Side Protection, Rear Traffic Alert, Blind Spot Monitoring, Lane Keep Assist and Electric Folding Mirrors. | V |

Driver Assistance Package 3: Park Assist, Side Protection, Rear Traffic Alert, Blind Spot Monitoring, Lane Keep Assist and Electric Folding Mirrors. | V |

Driver Assistance Package 4: Adaptive Cruise Control. | V |

Driver Assistance Package 'Chassis': Adaptive Cruise Control and Lane Keep Assist. | CH |

Driver Assist Package 4Motion: Mechanical Differential Lock and Hill Descent Assist. | V |



Take your office with you

Always well connected with state-of-the-art infotainment systems

Apart from transporting materials, carrying workers from A to B safely and serving as a comfortable space to take a break, commercial vehicles are increasingly being used as a mobile office. So staying connected and operating smartphone functions safely is crucial. That is why the Crafter is fitted with a range of intelligently designed connectivity solutions.

01 Multi-Function Steering Wheel. The rocker switches let you conveniently control the multi-function display, mobile phone hands-free system and the radio systems. |V| CH|

02 The Composition Media radio system consist of a 8.0" colour TFT display, a touchscreen with proximity sensor, an MP3- and WMA-compatible CD drive, four speakers, two SD card slots, an AUX-IN interface and a USB port in the dash panel, a Bluetooth® connection for mobile phones and a dual tuner with phase diversity for optimal radio reception. |V| CH|

02 App-Connect[^] featuring Apple CarPlay[®]. Experience even more infotainment on the road and integrate your smartphone into your vehicle with the USB port and App-Connect[^]. It mirrors selected apps from your smartphone onto the touchscreen display. Using Apple CarPlay[®], Android Auto™ or MirrorLink[®], you can conveniently control selected apps via the touchscreen display while also having the ability to pair two phones at the same time. |V| CH|

Voice Control (not illustrated). Various telephone, radio and media functions can be operated by using simple voice commands which means the driver doesn't have to take the hands off the steering wheel. |V| CH|

03 Discover Media Navigation System. In addition to the functions of the Composition Media radio system, there is a 2nd integrated SD-card slot which is compatible with the SD-card with the map data. |V| CH|

Media Control (not illustrated). It allows passengers to access your on-board infotainment system via WLAN and select music comfortably or replicate the navigation route on their tablet without disturbing the driver. Only available with Discover Media Navigation System. |V| CH|

The perfect workplace

Ergonomically designed. Loads of space

Generous storage solutions throughout the cabin, four cup holders, two 12 Volt sockets in the cabin as well as the USB port in the dashboard turn this into a practical work space. A grab handle on each side of the A pillar makes getting in and out of the vehicle a breeze. The LED lights in the cabin ensure this mobile office is optimally illuminated.

04 Comfort Seat Plus. The driver seat comes with longitudinal and height adjustment, electrical 4-way adjustable lumbar support, adjustable backrest and seat cushion angle as well as two adjustable armrests. This allows the driver to sit comfortably. |V| CH|

05 Double Bench Seat. Apart from seating two adults comfortably, it also offers generous storage underneath the bench as well as additional work space via the folding storage tray with two cup holders. |V| CH|

Seat heating for front seats (not illustrated). Heating function for the driver's seat and the outer front passenger seat is available upon request. |V| CH|

06 'ErgoActive' Suspension Seat. The driver and front passenger seats can be upgraded to the AGR ('Campaign for a Healthier Back') certified 14-way adjustable seat. In addition to Comfort Seat Plus, it offers a massage function and suspension which softens unpleasant bumps caused by poor road conditions. |V| CH|

07 Trendline package. In the cabin the package consists of an additional 12 Volt socket, step illumination and various chrome elements. The exterior components of the package include fog lights with integrated static cornering light, wheel trim with "VW" chrome emblem and chrome strips on the protective grille on the front bumper. Illustrated with optional LED headlights. |V| CH|

Winter package (not illustrated). This contains heat insulating, heated windshields, heated steering wheel, washer nozzles in the front and a headlamp washer system with washer fluid level indicator. |V| CH|



Clever load compartment solutions

The Crafter panel van offers excellent loadability and load securing. The factory-fitted preparation for shelves and cupboards, the optional universal floor and the internal roof rack create even greater flexibility in the load compartment.



01

01 Partition with fixed window and protective grille. The unique angled window prevents reflections from impairing the driver's field of vision. The grille also protects the window, the driver and passengers in the event of abrupt braking. |V|

01 Rear barn doors. The two roof-height doors provide an opening angle of 180°. The doors can be upgraded to 270° opening angle upon request. |V|

01 Grab handle. The vertical standard grab handle on the B pillar in the load or rear passenger area allows ergonomic entry into the load area. If the optional second sliding door is ordered, a grab handle on the right hand side is fitted. An additional grab handle on each D pillar can be fitted. Forms part of the 'Cargo Area Upgrade Package'. |V|



02

02 LED load compartment lighting. Four optional LEDs integrated into the headlining provide bright and evenly distributed illumination of the load compartment. Forms part of the 'Cargo Area Upgrade Package'. |V|

12 V sockets (not illustrated). Two 12 Volt socket are integrated into the load area, at an accessible location on the D-pillar of the rear barn door and one on the sliding door. Vehicles with the optional 2nd sliding door feature a 3rd socket. |V|



03 05

03 Internal roof rack. The two optional rails can be moved and adjusted inside the vehicle and enable easy transport of long objects. They can be removed when the roof rack is not needed. |V|

Protective grills for the rear barn doors (not illustrated). The optional grills protect the windows in the rear barn door against glass breakage and also help to prevent theft. |V|



04 Climatic air conditioning with a 2nd evaporator and heater for the rear cargo/passenger area.

The Crafter can also be equipped with a climate controlled rear load compartment for professional passenger transport or to transport temperature sensitive freight. The 2nd evaporator is integrated into the cabin roof with the vents located above the partition. The heater vents are floor-mounted. |V| CH|

05 Half-height side panel trim. The optional load compartment cladding made of plastic hollow chamber panels is especially robust. It is fitted from the floor to the roof frame and is exceptionally easy to clean. |V|

06 Universal floor. This optional floor is the ideal basis for retrofitting shelving and cupboard systems available from a range of manufacturers. Special adapters (A) enable cupboard systems to be easily fastened using the notches. Longitudinal and transverse lashing rails (B) are available. |V|

07 Full-height plywood side cladding. The optional 5mm thick plywood panels make this side cladding especially resistant to impacts and is highly durable. |V|

08 Lashing rails. Robust metal rails are optionally available for the side walls, the partition, the roof frame and universal floor for optimum load securing. |V|

Wooden floor (not illustrated). The optional 8mm thick wooden floor for the load compartment provides the optimum surface for your cargo to rest on. Robust beechwood ensures outstanding sturdiness and resilience. |V|

Lashing eyes (not illustrated). The Crafter features lashing eyes on the partition allowing you to securely fasten cargo with tensioning straps and nets. The adjustable lashing eyes are recessed to lie flush with the floor. To reduce the risk of stumbling, they can also be folded to the sides in the vicinity of the doors. |V|

Window package (not illustrated). The optional window package allows to configure the Crafter to meet your own individual needs, up to and including a van with windows all around. |V|



Volkswagen Accessories

Ready to handle whatever your working day demands

Volkswagen Genuine Accessories ensures your Volkswagen remains 100% Volkswagen. Perfectly tailored to your vehicle and tested to Volkswagen engineering standards to ensure uncompromising safety, quality and design.



01 Cargo securing net

The securing net can be attached directly to the vehicle's factory lashing points or to any position on the optional airline rails integrated into the vehicle floor using the optional tie-down belt fittings.

Part.no 7C0017230 (1400 x 1025mm)

Part.no 7C0017230A (1775 x 1150mm)

Part.no 7C0017230B (2275 x 1650mm)



02 Weathershields

Helps reduce window fogging and deflect wind and rain.

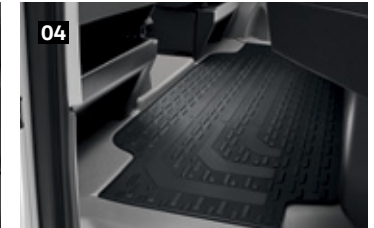
Part.no 7C0072193 (front only)



03 Rubber floor mats, front

Keep the footwell clean all year round. The perfectly fitting and durable mats with Crafter insignia is attached to the floor using the integrated fastening system.

Part.no 7C2061502A82V



04 Rubber floor mats, rear

Protect your vehicle interior from dirt and moisture. They are designed to fit perfectly, are easy to clean and have a non-slip underside.

Part.no 7C006151282V

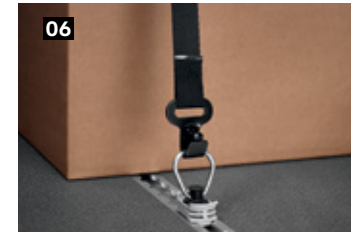


05 Roof bars

The Volkswagen roof bars serve as the ideal base system for all attachments. Easily transport larger and longer objects on the roof. Maximum roof bar load limit for 3-bar set is 150kg and 50kg for a single bar. Only available in conjunction with factory optional roof rail system.

Part.no. 2E0071126A (3-bar set)

Part.no. 2E0071126B (single bar)



06 Tie-down belt fitting set

The tie-down belt set is suitable for individual mounting to the lashing rails system. Delivery without belt and individual lashing point.

Part.no 2E0017242 (set = 4 pieces)



07 Lashing Straps with Ratchets

The lashing straps provide you with a quick and simple way of securing your payload. Length: 3500mm.

Part.no. 2E0017244

Conversions

When conventional is not enough

Does your business require a custom solution? With the Volkswagen Commercial Vehicles range you have all the flexibility you need. We'll listen to your brief and work with you to find the right solution, whether it's an off-the-shelf conversion or something totally bespoke.

For Technical Information on conversions, please consult the Bodybuilder Database <https://bb-database.com> or consult your Volkswagen Dealer.



Colours, Upholstery and Technical Specifications

Solid paint finishes



Candy White | Solid paint finish | B4B4



Cherry Red | Solid paint finish | 4B4B



Luminous Orange | Solid paint finish | E3E3



Deep Ocean Blue | Solid paint finish | OPOP

Metallic and Pearlescent paint finishes



Reflex Silver | Metallic paint finish | 8E8E



Indium Grey | Metallic paint finish | X3X3



Deep Black | Pearlescent paint finish | 2T2T

Seat upholstery



Austin | Cloth seat upholstery | Titanium Black

Engine Type	2.0 litre TDI340 BlueMotion with engine Stop/Start system~ and brake energy recovery 4-cylinder diesel engine, common rail turbo direct injection	2.0 litre TDI410 BlueMotion with engine Stop/Start system~ and brake energy recovery 4-cylinder diesel engine, common rail bi-turbo direct injection
Max Power, kW @ rpm	103 @ 3,500	130 @ 3,600
Max Torque, Nm @ rpm	340 @ 2,000	410 @ 2,000
Cubic Capacity, litres/cc	2.0 / 1,968	2.0 / 1,968
Bore/stroke, mm	81.0 x 95.5	81.0 x 95.5
Fuel Type	Diesel, min. 51 CZ in accordance with DIN EN 590	Diesel, min. 51 CZ in accordance with DIN EN 590
Fuel tank capacity, L	75	75
Compression Ratio	15.5 : 1	15.5 : 1
Brake Systems	Anti-lock Braking System (ABS) with Electronic Brake-pressure distribution (EBD), Brake Assist and Electronic Stabilisation Program (ESP), Brake energy recuperation	
Suspension Upgrades	Optionally available	
Steering	Electro-mechanical power-assisted rack & pinion steering	

Transmission	Front Wheel Drive	4 Motion	Rear Wheel Drive	Front Wheel Drive	4 Motion	Rear Wheel Drive
6-speed manual	o	—	—	o	o	o
8-speed automatic	o	—	—	o	o	o
Brakes						
Front disc brakes, mm	303 x 28 ventilated	—	—	303 x 28 ventilated		
Rear disc brakes, mm	300 x 22 ventilated	—	—	300 x 22 ventilated		303 x 28 ventilated

Full vehicle specifications are available at www.volkswagen.com.au

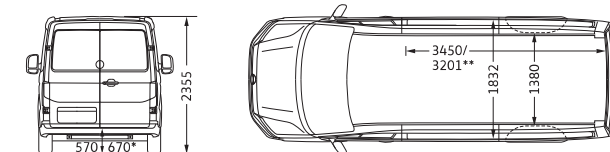
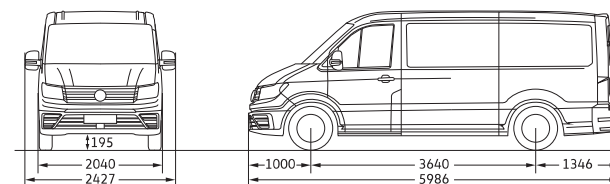
o Optional — Not available

~The Start/Stop system is designed to reduce fuel consumption and CO₂ emissions. It achieves this by automatically switching off the engine while the vehicle is stationary and then starting it again automatically when the driver wants to drive off. There are certain operating conditions where the Start/Stop system is deactivated (e.g. during engine warm-up), please refer to the owner's manual for full operating information.

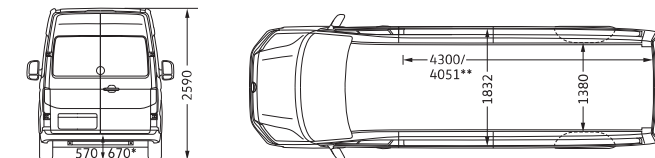
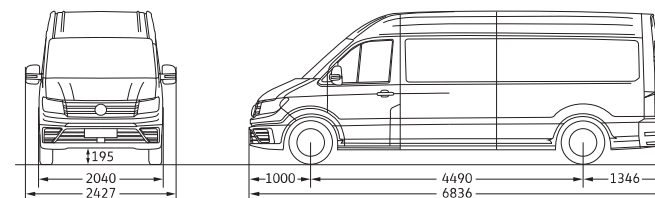
Weights and Capacities Crafter 35 Van

	Van MWB Standard Roof			Van LWB High Roof			Van LWO High Roof	
	TDI340 FWD	TDI410 FWD	TDI410 4Motion	TDI340 FWD	TDI410 FWD	TDI410 4Motion	TDI340 FWD	TDI410 FWD
Weights								
Gross Vehicle Mass (GVM), kg	3,550			3,550			3,550	
Towing Capacity# - Braked, kg	2,500			2,500			2,500	
Towing Capacity# - Unbraked, kg	750			750			750	
Towing Downball Load, kg	150			150			150	
Payload								
Unladen Weight ¹ , kg (manual)	2,085	2,133	2,258	2,229	2,274	2,404	—	—
Payload Maximum ² , kg (manual)	1,465	1,417	1,292	1,321	1,276	1,146	—	—
Unladen Weight ¹ , kg (automatic)	2,156	2,165	2,292	2,297	2,306	2,436	2,370	2,379
Payload Maximum ² , kg (automatic)	1,394	1,385	1,258	1,253	1,244	1,114	1,180	1,171
Interior Dimensions								
Seating capacity	3	3	3	3	3	3	3	
Load Compartment Length, mm	3,450	3,450	3,450	4,300	4,300	4,300	4,855	
Load Compartment Width, mm - maximum	1,832	1,832	1,832	1,832	1,832	1,832	1,832	
Load Compartment Width, mm at wheel arches	1,380	1,380	1,380	1,380	1,380	1,380	1,380	
Load Compartment Height, mm	1,726	1,726	1,626	1,961	1,961	1,861	1,961	
Sliding Door Width, mm	1,311	1,311	1,311	1,311	1,311	1,311	1,311	
Sliding Door Height, mm	1,587	1,587	1,487	1,822	1,822	1,722	1,822	
Barn Door Width, mm	1,552	1,552	1,552	1,552	1,552	1,552	1,552	
Barn Door Height, mm	1,605	1,605	1,505	1,840	1,840	1,740	1,840	
Load Sill Height, mm	570	570	670	570	570	670	570	
Cargo Volume (L) - behind first row	9,900	9,900	9,300	14,400	14,400	13,600	16,400	
Turning Circle (m)	13.6	13.6	13.6	16.2	16.2	16.2	16.2	

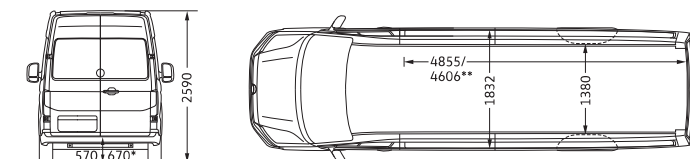
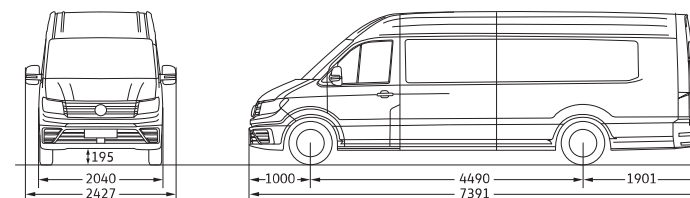
Crafter 35 Van MWB Standard Roof



Crafter 35 Van LWB High Roof



Crafter 35 Van LWO High Roof



All dimensions shown in mm.

*This value applies for 4Motion all-wheel drive. **Load compartment length, max. (at floor level)/load compartment length, min.

MWB = Medium Wheelbase LWB = Long Wheelbase LWO = Long Wheelbase with Overhang FWD = Front Wheel Drive RWD = Rear Wheel Drive

1. The Unladen Mass (UM) includes 10L of fuel, vehicle fluids and no occupants. Figures quoted are for base model vehicles only.

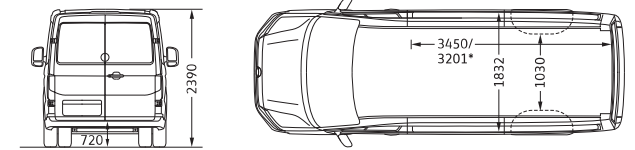
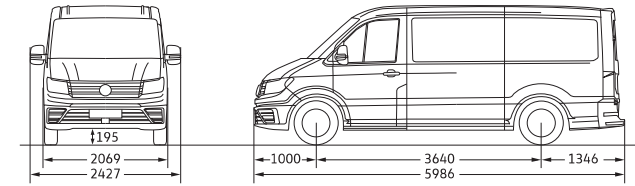
2. Payload is defined as the Gross Vehicle Mass (GVM) minus the Kerb Mass. Payload is the maximum combined weight of occupants, cargo, added structures and tow ball down weight (when towing). GVM must not be exceeded.

#Towing capacities are applicable to Volkswagen Genuine Accessory Tow Bar. Towing capacity figures are maximum figures and actual towing capacity depends on factors including the laden mass of the vehicle, driving conditions and fitment of any accessories. Volkswagen Group Australia does not endorse or will not be held liable for any claim, loss or damage arising from the use or fitment of electronic trailer brakes.

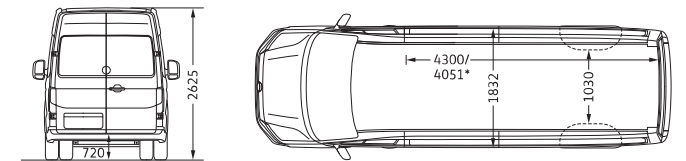
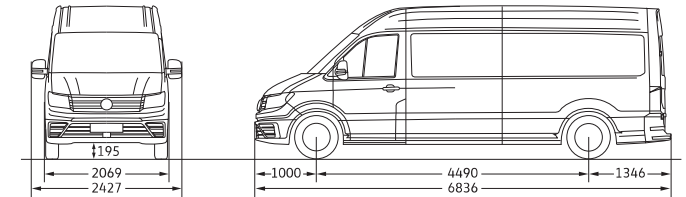
Weights and Capacities Crafter 50/55 Van

	Crafter 50 Van			Crafter 55 Van		
	Van MWB Standard Roof	Van LWB High Roof	Van LWO High Roof	Van MWB Standard Roof	Van LWB High Roof	Van LWO High Roof
Weights	TDI410 RWD			TDI410 RWD		
Gross Vehicle Mass (GVM), kg		4,490			5,500	
Towing Capacity [‡] - Braked, kg		3,500			3,500	
Towing Capacity [‡] - Unbraked, kg		750			750	
Towing Downball Load, kg		150			150	
Payload						
Unladen Weight ¹ , kg (manual)	—	—	—	—	—	—
Payload Maximum ² , kg (manual)	—	—	—	—	—	—
Unladen Weight ¹ , kg (automatic)	2,468	2,618	2,690	2,489	2,640	2,711
Payload Maximum ² , kg (automatic)	2,022	1,872	1,800	3,011	2,860	2,789
Front Axle Load Limit (kg)		2,200			2,200	
Rear Axle Load Limit (kg)		3,500			4,000	
Interior Dimensions						
Seating capacity	3	3	3	3	3	3
Load Compartment Length, mm	3,450	4,300	4,855	3,450	4,300	4,855
Load Compartment Width, mm - maximum	1,832	1,832	1,832	1,832	1,832	1,832
Load Compartment Width, mm at wheel arches	1,030	1,030	1,030	1,030	1,030	1,030
Load Compartment Height, mm	1,626	1,861	1,861	1,626	1,861	1,861
Sliding Door Width, mm	1,311	1,311	1,311	1,311	1,311	1,311
Sliding Door Height, mm	1,487	1,722	1,722	1,487	1,722	1,722
Barn Door Width, mm	1,552	1,552	1,552	1,552	1,552	1,552
Barn Door Height, mm	1,505	1,740	1,740	1,505	1,740	1,740
Load Sill Height, mm	720	720	725	720	720	725
Cargo Volume (L) - behind first row	9,300	13,600	15,500	9,300	13,600	15,500
Turning Circle (m)	13.6	16.2	16.2	13.6	16.2	16.2

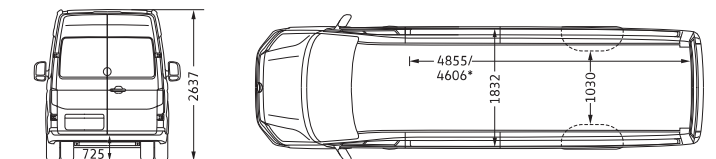
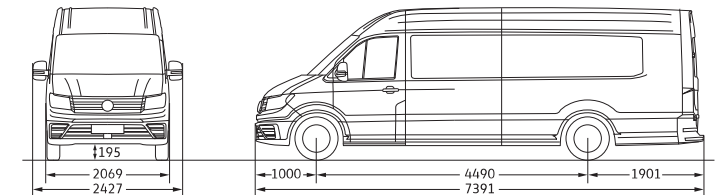
Crafter 50/55 Van MWB Standard Roof



Crafter 50/55 Van LWB High Roof



Crafter 50/55 Van LWO High Roof



All dimensions shown in mm.

*Load compartment length, max. (at floor level)/load compartment length, min.

MWB = Medium Wheelbase LWB = Long Wheelbase LWO = Long Wheelbase with Overhang FWD = Front Wheel Drive RWD = Rear Wheel Drive

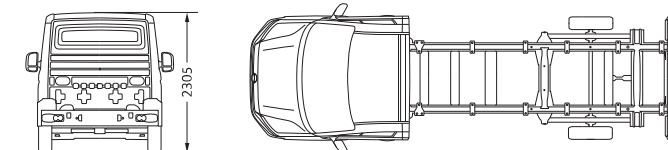
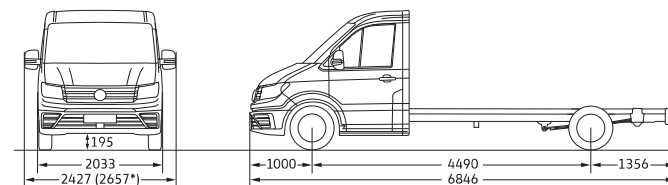
1. The Unladen Mass (UM) includes 10L of fuel, vehicle fluids and no occupants. Figures quoted are for base model vehicles only.

2. Payload is defined as the Gross Vehicle Mass (GVM) minus the Kerb Mass. Payload is the maximum combined weight of occupants, cargo, added structures and tow ball down weight (when towing). GVM must not be exceeded.

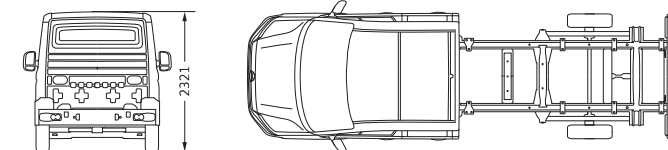
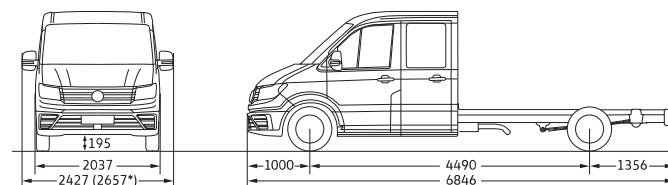
[‡]Towing capacities are applicable to Volkswagen Genuine Accessory Tow Bar. Towing capacity figures are maximum figures and actual towing capacity depends on factors including the laden mass of the vehicle, driving conditions and fitment of any accessories. Volkswagen Group Australia does not endorse or will not be held liable for any claim, loss or damage arising from the use or fitment of electronic trailer brakes.

Weights and Capacities Crafter 35 Cab Chassis

Crafter 35 Single Cab Chassis LWB



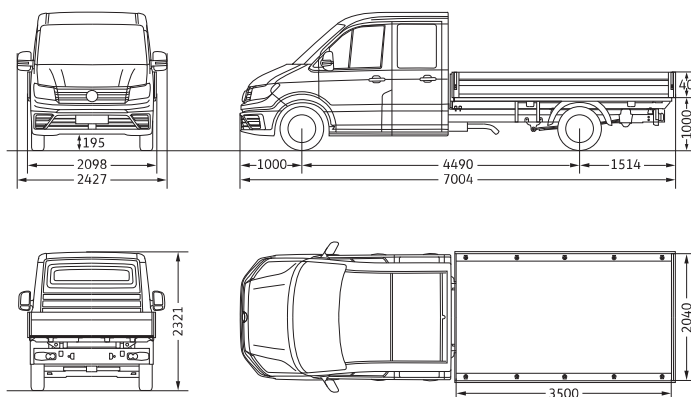
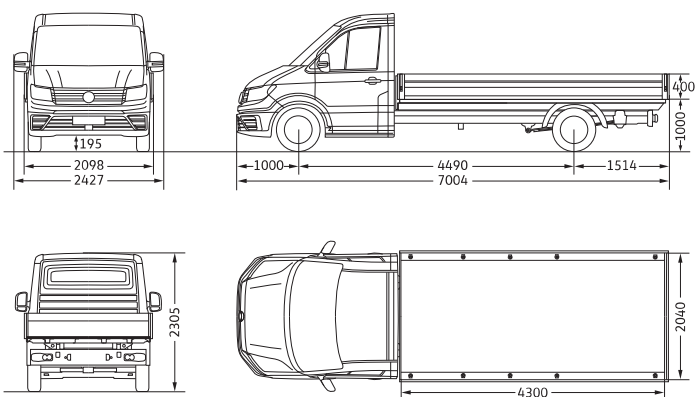
Crafter 35 Dual Cab Chassis LWB



	Single Cab LWB				Dual Cab LWB			
	TDI340 FWD	TDI410 FWD	TDI410 4Motion	TDI410 RWD Single Tyre	TDI340 FWD	TDI410 FWD	TDI410 4Motion	TDI410 RWD Single Tyre
Weights								
Gross Vehicle Mass (GVM), kg		3,550		3,550		3,550		3,550
Towing Capacity# - Braked, kg		2,500		3,500		2,500		3,500
Towing Capacity# - Unbraked, kg		750		750		750		750
Towing Downball Load, kg		150		150		150		150
Payload								
Unladen Weight ¹ , kg (manual)	—	—	—	1,977	—	—	—	2,159
Payload Maximum ² , kg (manual)	—	—	—	1,573	—	—	—	1,391
Unladen Weight ¹ , kg (automatic)	1,905	1,914	2,039	—	2,087	2,096	2,221	—
Payload Maximum ² , kg (automatic)	1,645	1,636	1,511	—	1,463	1,454	1,329	—
Interior Dimensions								
Seating capacity			3				7	
Load Platform with Optional Alloy Tray, m ²			8.8				7.1	
Load Compartment Length, mm			4,300				3,500	
Load Compartment Width, mm - maximum			2,040				2,040	
Load Compartment Width, mm at wheel arches			2,040				2,040	
Load Compartment Height, mm			400				400	
Load Sill Height, mm			1,000				1,000	
Turning Circle (m)			16.2				16.2	

Crafter 35 Single Cab LWB - with Optional Alloy Tray

Crafter 35 Dual Cab LWB - with Optional Alloy Tray



All dimensions shown in mm.

*This value applies for the optional bow-mounted door mirror extensions.

MWB = Medium Wheelbase LWB = Long Wheelbase LWO = Long Wheelbase with Overhang FWD = Front Wheel Drive RWD = Rear Wheel Drive

1. The Unladen Mass (UM) includes 10L of fuel, vehicle fluids and no occupants. Figures quoted are for base model vehicles only.

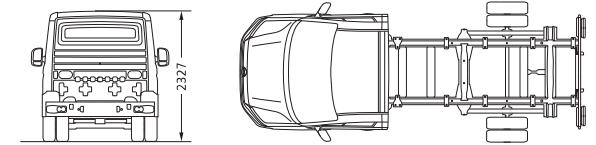
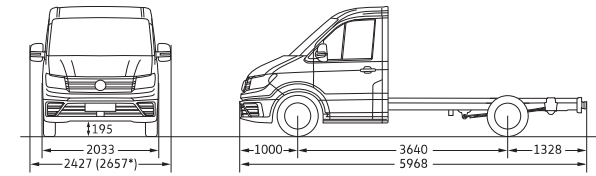
2. Payload is defined as the Gross Vehicle Mass (GVM) minus the Kerb Mass. Payload is the maximum combined weight of occupants, cargo, added structures and tow ball down weight (when towing). GVM must not be exceeded.

#Towing capacities are applicable to Volkswagen Genuine Accessory Tow Bar. Towing capacity figures are maximum figures and actual towing capacity depends on factors including the laden mass of the vehicle, driving conditions and fitment of any accessories. Volkswagen Group Australia does not endorse or will not be held liable for any claim, loss or damage arising from the use or fitment of electronic trailer brakes.

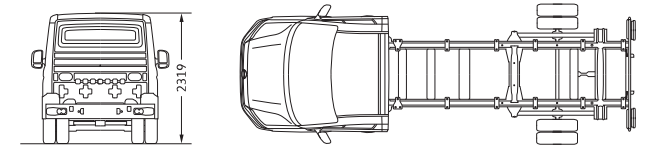
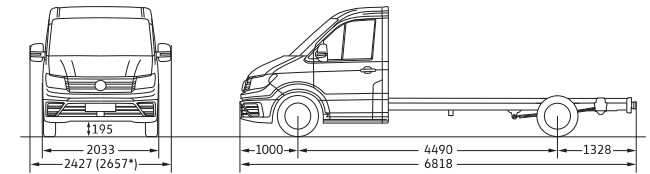
Weights and Capacities Crafter 50/55 Cab Chassis

	Crafter 50					Crafter 55			
	Single Cab MWB	Single Cab LWB	Single Cab LWO	Dual Cab MWB	Dual Cab LWB	Single Cab MWB	Single Cab LWB	Single Cab LWO	Dual Cab LWB
Weights	TDI 410 RWD					TDI 410 RWD			
Gross Vehicle Mass (GVM), kg			4,490					5,500	
Towing Capacity# - Braked, kg			3,500					3,500	
Towing Capacity# - Unbraked, kg			750					750	
Towing Downball Load, kg			150					150	
Payload									
Unladen Weight ¹ , kg (manual)	—	—	—	—	—	—	—	—	—
Payload Maximum ² , kg (manual)	—	—	—	—	—	—	—	—	—
Unladen Weight ¹ , kg (automatic)	2,098	2,141	2,156	2,244	2,292	2,119	2,162	2,177	2,314
Payload Maximum ² , kg (automatic)	2,392	2,349	2,334	2,246	2,198	3,381	3,338	3,323	3,186
Front Axle Load Limit (kg)			2,200					2,200	
Rear Axle Load Limit (kg)			3,500					4,000	
Interior Dimensions									
Seating capacity	3	3	3	7	7	3	3	3	7
Load Platform with optional alloy tray, m ²	7.1	8.8	9.6	5.5	7.1	7.1	8.8	9.6	7.1
Load Compartment Length, mm	3,500	4,300	4,700	2,700	3,500	3,500	4,300	4,700	3,500
Load Compartment Width, mm - maximum	2,040	2,040	2,040	2,040	2,040	2,040	2,040	2,040	2,040
Load Compartment Width, mm at wheel arches	2,040	2,040	2,040	2,040	2,040	2,040	2,040	2,040	2,040
Load Compartment Height, mm	400	400	400	400	400	400	400	400	400
Load Sill Height, mm	1,040	1,035	1,050	1,040	1,035	1,040	1,035	1,050	1,035
Turning Circle (m)	13.6	16.2	16.2	13.6	16.2	13.6	16.2	16.2	16.2

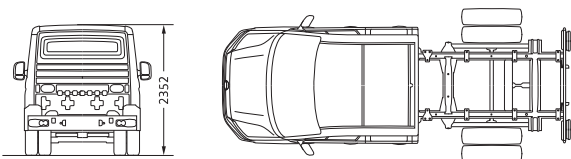
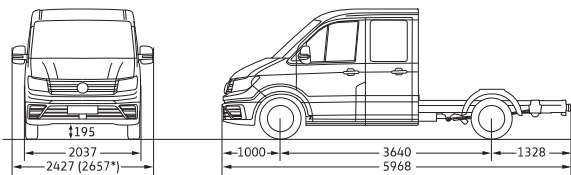
Crafter 50/55 Single Cab Chassis MWB



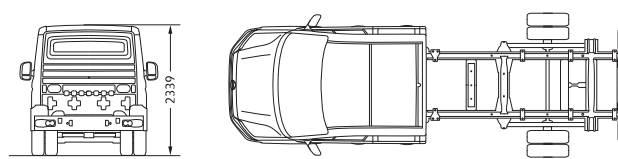
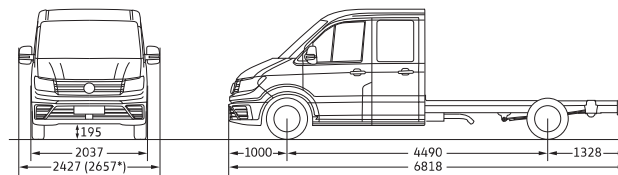
Crafter 50/55 Single Cab Chassis LWB



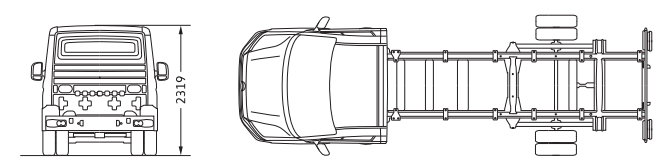
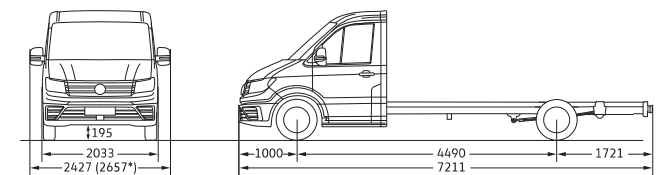
Crafter 50 Dual Cab Chassis MWB



Crafter 50/55 Dual Cab Chassis LWB



Crafter 50/55 Single Cab Chassis LWO



All dimensions shown in mm.

*This value applies for the optional bow-mounted door mirror extensions.

MWB = Medium Wheelbase LWB = Long Wheelbase LWO = Long Wheelbase with Overhang RWD = Rear Wheel Drive

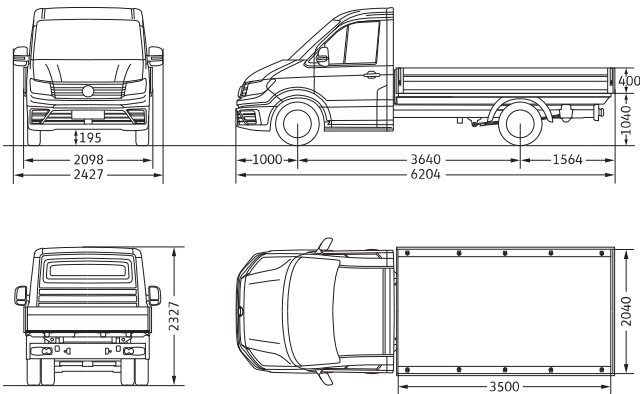
1. The Unladen Mass (UM) includes 10L of fuel, vehicle fluids and no occupants. Figures quoted are for base model vehicles only.

2. Payload is defined as the Gross Vehicle Mass (GVM) minus the Kerb Mass. Payload is the maximum combined weight of occupants, cargo, added structures and tow ball down weight (when towing). GVM must not be exceeded.

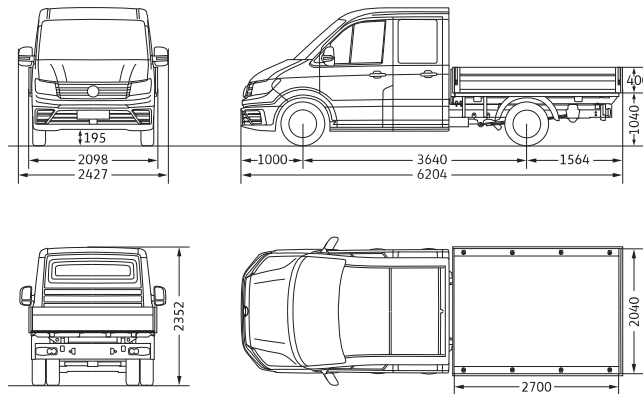
#Towing capacities are applicable to Volkswagen Genuine Accessory Tow Bar. Towing capacity figures are maximum figures and actual towing capacity depends on factors including the laden mass of the vehicle, driving conditions and fitment of any accessories. Volkswagen Group Australia does not endorse or will not be held liable for any claim, loss or damage arising from the use or fitment of electronic trailer brakes.

Dimensions Crafter 50/55 Cab Chassis with Optional Alloy Tray

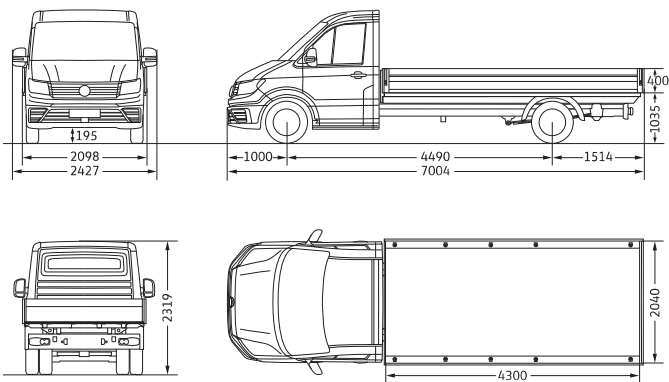
Crafter 50/55 Single Cab Chassis MWB - with Optional Alloy Tray



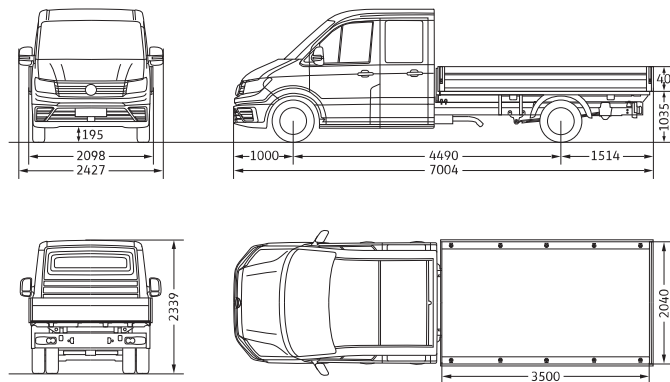
Crafter 50/55 Dual Cab Chassis MWB - with Optional Alloy Tray



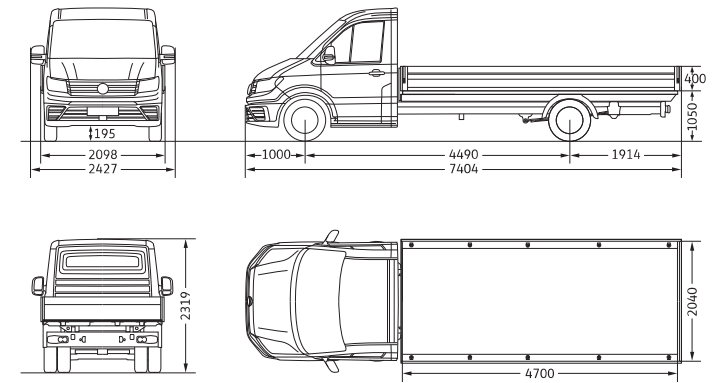
Crafter 50/55 Single Cab Chassis LWB - with Optional Alloy Tray



Crafter 50/55 Dual Cab Chassis LWB - with Optional Alloy Tray



Crafter 50/55 Single Cab Chassis LWO - with Optional Alloy Tray



All dimensions shown in mm.

*This value applies for the optional bow-mounted door mirror extensions.

MWB = Medium Wheelbase LWB = Long Wheelbase LWO = Long Wheelbase with Overhang FWD = Front Wheel Drive RWD = Rear Wheel Drive

Peace of Mind



5 years

Unlimited Kilometre Warranty

At Volkswagen, we pride ourselves on the highest quality standards that come with German engineering.

We back this commitment with a 5 year unlimited kilometre warranty on all new Volkswagen vehicles*.



1 year

Roadside Assist

Every new Volkswagen comes with a 1 year Roadside Assist membership[^].

That's 24 hour roadside assistance, emergency accommodation, car rental and towing as well as property and other assistance, all included for added peace of mind.



Volkswagen

Care Plans

Volkswagen Care Plans[†] have you covered for your first 3 or 5 scheduled services, providing you significant savings off the total Assured Service Pricing RRP. It's convenient, hassle-free scheduled servicing easily available for purchase at your local Volkswagen Dealer.



Assured

Service Pricing

Assured Service Pricing[#] gives you the transparency of knowing how much your service will cost up front.

Our Volkswagen Dealers have access to the latest diagnostic equipment and tools. Plus, they use Volkswagen Genuine Parts[®] to ensure your Volkswagen stays a Volkswagen.

You're in safe hands at your Volkswagen Dealer when it comes to servicing.

*Conditions and exclusions apply, see <https://www.volkswagen.com.au/en/owners/warranty.html>. Your rights under this warranty are provided in addition to, and in some cases overlap with, consumer guarantees under the Australian Consumer Law and do not limit or replace them.

[^]Volkswagen Roadside Assist is provided by AWP Australia Pty Ltd ABN 52 097 227 177 trading as Allianz Global Assistance, under an arrangement with Volkswagen Group Australia Pty Limited ABN 14 093 117 876. Conditions and exclusions apply, see <https://www.volkswagen.com.au/en/owners/roadside-assist.html>.

[†]Volkswagen Care Plans are available at participating Volkswagen Dealers for all models and covers standard items as contained in each scheduled service interval only. These Care Plans can only be purchased prior to the first scheduled service and up to 22,500 km/15 months (whichever occurs first) for all models except Volkswagen Crafter models, which is 30,000 km/15 months (whichever occurs first). The timeframe takes effect from when the vehicle is first reported in our system as 'sold'. Discount structure varies by model. For details of what is not included in a scheduled service, please refer to the program terms and conditions available here: <https://www.volkswagen.com.au/en/owners/volkswagen-care-plans.html>

[#]Assured Service Pricing applies to the first 5 standard scheduled services of your vehicle which are scheduled to occur at every 15,000 km/12 month interval (whichever occurs first) or for Volkswagen Crafter models only, 20,000 km/12 month interval (whichever occurs first). On or before 31 December each year, Volkswagen will publish the maximum price for a specified Scheduled Service that will be applicable from, and remain fixed for, the following calendar year only. For details on the Eligible Model List, pricing, items not included and for full terms and conditions, please see <https://au.volkswagen.com.au/service-pricing-guide>.

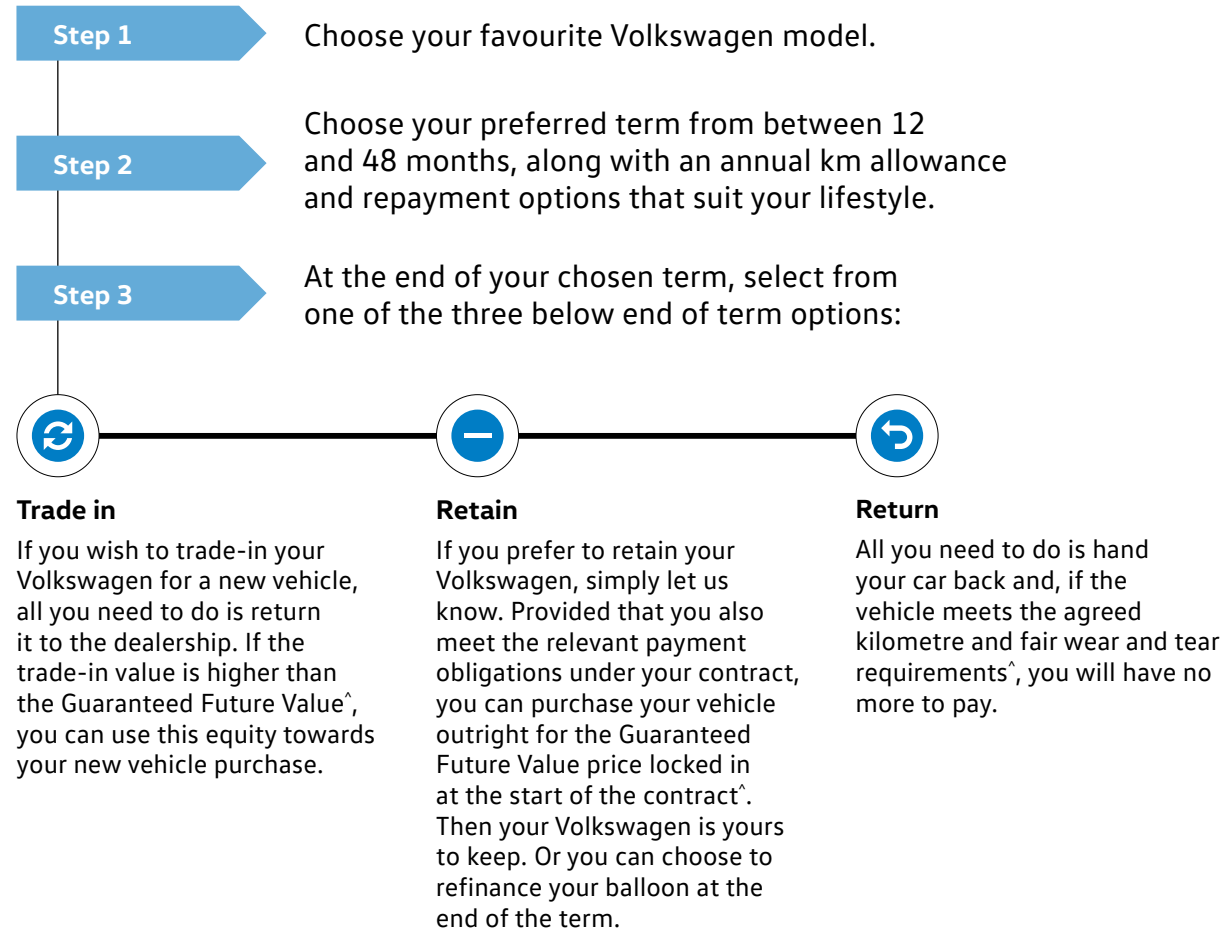
Volkswagen Choice

Volkswagen Choice

Guaranteed Future Value

Naturally we understand that your Volkswagen represents a valuable investment, so we understand that you want to maintain it in premium condition. Volkswagen Choice[^] is a finance program tailored to the requirements of Volkswagen owners by providing assurance around your Volkswagen's future value[^], whilst offering simple monthly instalment financing options.

Whether you are selecting your new Volkswagen for business or personal use, you can choose the contract term that best suits your requirements. Enjoy the confidence that comes from having locked in a minimum value up front to be attributed to your vehicle at the end of your contract[^]. There are also no account keeping fees with a fixed interest rate.



[^]The Volkswagen Choice Program consists of an option to return the vehicle to Volkswagen Financial Services (VFS)** at the end of the term and require VFS to purchase the vehicle at price known as the Guaranteed Future Value (GFV) as determined by VFS. At the end of the term, you can elect to: (1) trade-in the vehicle; (2) exercise the option to return the vehicle; or (3) retain the vehicle by paying the GFV, which is a lump sum owed to VFS at the end of the loan term after all repayments have been made. You will be liable for any loan contract deficit and additional charges, if you exceed the nominated kilometre allowance and/or the vehicle is not in an acceptable condition. Available on new and demonstrator Volkswagen vehicles for selected models. Contact your nearest Volkswagen dealer to verify eligible vehicles for this program. Fleet, government, rental buyers, hire car and chauffeur companies excluded.

**VFS is trading name of Volkswagen Financial Services Pty Ltd ABN 20 097 071 460, Australian Credit Licence 389344.

The Crafter Range

Volkswagen Group Australia Pty Ltd
24 Muir Road Chullora NSW 2190
ABN 14 093 117 876

Printed in Australia
March 2020
www.volkswagen.com.au

Publication: VWCCRARANGMY20

Important information

Apple CarPlay® is a registered trade mark of Apple Inc. Android Auto™ is a registered trade mark of Google Inc. MirrorLink® is a registered trade mark of Car Connectivity Consortium LLC. Bluetooth® is a registered trade mark of Bluetooth SIG Inc.

Volkswagen distributed by Volkswagen Group Australia Pty Ltd (ABN 14 093 117 876) of 24 Muir Road Chullora, NSW 2190. Specifications are as planned at October 2019, for Model Year 2020 and are subject to change without notice or obligation. All information in this brochure are correct at the time of publication, however variations may occur from time to time and Volkswagen, in so far as it is permitted by law to do so, shall not be liable in any way as a result of any reliance by any person on anything contained in this brochure. Authorised Volkswagen dealers will provide up-to-date information on model application, design feature, prices, and availability on request.

Your Volkswagen Dealer.



Commercial
Vehicles



The Crafter Range Specifications

Features and Specifications

Safety and Security	Van	Single Cab	Dual Cab
Airbags			
Front airbag for driver and front passenger	●	●	●
Side and curtain airbags for driver and front passenger [#]	●	●	●
Seat belts			
3-point seat belts with height adjustment and belt tensioners for driver	●	●	●
Seat belt warning light and buzzer for driver's seat	●	●	●
Brakes and Traction Control			
Multi-Collision Brake (MCB)	●	●	●
Adaptive Electronic Stabilisation Programme (ESP)	●	●	●
Anti-Lock Braking System (ABS)	●	●	●
Brake Assist (BA)	●	●	●
Traction Control System (TCS)	●	●	●
Electronic Differential Lock (EDL)	●	●	●
Hill Hold Assist	●	●	●
Crosswind Assist	●	—	—
Driver Assistance Technology			
Front Assist with City Emergency Brake*	●	●	●
Driver Fatigue Detection*	●	●	●
Front and Rear Park Distance Control* (PDC) with Rear View Camera*	●	—	—
Preparation for Rear View Camera*	—	○	○
Driver Assistance Package 1			
Fog Lights with cornering function, 'Light and Sight' windshield wiper intermittent control with light and rain sensor and separate daytime running light with automatic headlight control, 'Leaving Home' function and manual 'Coming Home' function	○	○	○
Driver Assistance Package 2			
Side Protection*, Rear Traffic Alert*, Blind Spot Monitoring*, Lane Keep Assist* and Electric Folding Mirrors	○	—	—
Driver Assistance Package 3			
Park Assist*, Side Protection*, Rear Traffic Alert*, Blind Spot Monitoring*, Lane Keep Assist* and Electric Folding Mirrors	○	—	—
Driver Assistance Package 4			
Adaptive Cruise Control (ACC)*	○	—	—
Driver Assistance Package 4Motion			
Mechanical Differential Lock* and Hill Descent Assist*	○	—	—
Driver Assistance Package 'Chassis'			
Adaptive Cruise Control (ACC)* and Lane Keep Assist*	—	○	○

● Standard ○ Optional — Not Available MWB = Medium Wheelbase LWB = Long Wheelbase LWO = Long Wheelbase with Overhang FWD = Front Wheel Drive RWD = Rear Wheel Drive C35 = standard 3.55t GVM single rear tyre C50 = standard 4.49t GVM dual rear tyre C55 = standard 5.5t GVM dual rear tyre

[#]Excludes Crafter Van with high roof, without a partition and no right hand side sliding door. Vans with super-high roof have no curtain airbags. *Safety technologies are designed to assist the driver, but should not be used as a substitute for safe driving practices.

Safety and Security	Van	Single Cab	Dual Cab
Locking and Security			
Anti-theft alarm system with backup horn, interior monitoring and towing protection	○	○	○
Central locking system with radio remote control and interior release mechanism	●	●	●
Central locking system with radio remote control, interior release mechanism and SAFELOCK	○	○	○
Child safety lock in passenger compartment when removing partition	○	—	—
Two (2) remote control folding keys	●	●	●
Engine immobiliser (electronic)	●	●	●
One (1) Chock	○	○	○
Two (2) Chocks	○	—	—
First aid kit, warning triangle, safety vest and warning light	○	○	○
Lighting			
Twin Halogen headlights	●	●	●
Headlight range adjustment	●	●	●
Separate Daytime Running Lights (DRL)	●	●	●
LED headlamps with separate LED Daytime Running Light	○	○	○
High rear stop light	●	—	—
Rear fog light	●	●	●
Head Restraints			
Front safety optimised head restraints, height adjustable	●	●	●

Exterior Equipment and Styling

Doors			
Sliding door, left, in load/passenger compartment	●	—	—
Sliding door, right, in load/passenger compartment with additional 12 Volt socket in load/passenger compartment and grab handle on partition in load/passenger compartment	○	—	—
Sliding door, left/right, in load area with interlock for certain opening positions and increased lift-out distance, left and/or right and with additional 12 Volt socket in load/passenger compartment and grab handle on partition in load/passenger compartment	○	—	—
Rear barn doors with heated window, rear wiper and washer system	●	—	—
270 degree opening rear barn doors	○ MWB/LWB ● LWO	—	—
Roofs			
Medium roof - body coloured	● MWB — LWB/LWO	●	●
High roof - body coloured	● LWB/LWO ○ MWB	—	—
Super high roof - body coloured	○ MWB/LWB/LWO — MWB/LWB/LWO 4Motion	—	—
Roof trim molded headliner in cabin	●	●	●
Roof trim molded headliner in load/passenger compartment (n/a with full height plywood side trim)	○	—	—
Roof rails for roof rack	○	—	—
Roof rack with two (2) movable bars under the roof and two (2) lashing rails under the roof	○	—	—

Exterior Equipment and Styling	Van	Single Cab	Dual Cab
Windows			
Heat-insulating windshield made of laminated glass	●	●	●
Heat-insulating glass (green)	●	●	●
Windscreen wiper intermittent control	●	●	●
Heated windows with wiper/washer system in rear barn doors	●	—	—
Electric power windows with comfort operation and circuit breaker (front)	●	●	●
Hinged side windows in 2 nd row (opening)	—	—	●
Rear privacy glass (with 2 nd sliding door)	○	—	—
Side window in load/passenger compartment, front left and/or right, fixed	○	—	—
Side window in load/passenger compartment, front left and/or right, sliding	○	—	—
Side window in load/passenger compartment, centre left and/or right, fixed	○ LWB/LWO — MWB	—	—
Side window in load/passenger compartment, rear left and/or right, fixed	○	—	—
Security mesh for windows in rear barn doors	○	—	—
Body Enhancements			
Black bumper bar in front with painted trim panel in body colour (grey bumper bar with optional luminous orange)	●	●	●
Black exterior mirror housings and door handles	●	●	●
Black side protective strips	●	●	●
Unpainted radiator grille with one (1) chrome molding	●	●	●
Roof rack mounting points	10 MWB / 13 LWB / 15 LWO	—	—
Trailer hitch preparation (including trailer stabilisation)	●	●	●
Side reflectors	●	●	●
Underbody stone guard	●	●	●
One towing eye in front and in rear	●	—	—
Gross Vehicle Mass upgrade from 3.55t to 3.88t	○ MWB — LWB/LWO	—	—
Gross Vehicle Mass upgrade from 3.55t to 4t	○ LWB/LWO — MWB	○	○
Wheels and Tyres			
16" steel wheels with centre wheel trim - 205/75 R16 C113/111	● C35/C50	● C35/C50	● C35/C50
16" steel wheels with centre wheel trim - 235/65 R16 C121/119 R	● C35 w/GVM Upgrade	—	—
17" steel wheels with centre wheel trim - 205/70 R17 C115/113	● C55	● C55	● C55
Steel spare wheel - full size	●	●	●
Tool kit with vehicle jack	●	●	●
Tyre mobility set (12 Volt compressor and tyre sealant)	—	○	○
Tyre Pressure Monitoring System (TPMS)	○	○	○
Suspension and Chassis			
Heavy-duty suspension system and shock absorption	○	○	○
Standard suspension system and shock absorption, heavy-duty stabiliser	○	○	○
Heavy-duty suspension system and shock absorption, reinforced heavy-duty stabiliser	○	○	○
Reinforced front axle	○ C35 FWD/4Motion MWB ● C35 LWB 4Motion ● C50/C55	○ C35 ● C50/C55	● C35/C50/C55

Comfort and Convenience

	Van	Single Cab	Dual Cab
Air Conditioning, Batteries and Alternators			
Climatic air conditioning system with dust and pollen filter in the cabin	●	●	●
2 nd evaporator (below roof in cabin; one 1-DIN slot in overhead compartment)	○	○	○
2 nd heater core (below right seat substructure) and 2 nd evaporator (below roof in cabin ; one 1-DIN slot in overhead compartment)	○	○	○
Battery with increased capacity	○	○	○
AGM battery and alternator with increased capacity	○	○	○
Main battery switch	○	○	○
2 nd battery with cut-off relay and battery monitoring (AGM battery)	○	○	○
2 nd alternator with 180A	○	○	○
Cruise Control			
Cruise Control, including speed limiter	●	●	●
Floor Covering and Side Trim			
Rubber floor covering in cabin	●	●	●
Wooden floor covering in load/passenger compartment, with loading edge protection in rear	○	—	—
Wooden floor covering with wheel housing trim in load/passenger compartment	○	—	—
Universal floor covering with lashing rings and longitudinal or transverse lashing rails	○	—	—
Preparation for universal floor with or without plastic luggage compartment side trim	○	—	—
Hardboard side trim panels - half height	○	—	—
Plywood side trim panels - full height (n/a with moulded interior roof trim)	○	—	—
C rails, side panel and partition	○	—	—
In-Car Entertainment and Technology			
'Composition Media' audio system with App-Connect[^]			
8" colour touchscreen display with proximity sensor, AM/FM radio, CD player (MP3/WMA compatible), 2x SD card slots, AUX-IN/USB inputs (iPod [®] -compatible), Voice Control and four (4) speakers. Car menu with convenience and service settings. Includes display for Park Distance Control* and Rear View Camera*. App-Connect [^] USB interface for Apple CarPlay [®] , Android Auto [™] and MirrorLink [®] in dash panel.	●	●	●
'Discover Media' audio system with App-Connect[^] and Satellite Navigation			
8" colour touchscreen display with proximity sensor, AM/FM radio, CD player (MP3/WMA compatible), 2 x SD card slots for music and navigation data, AUX-IN/USB inputs (iPod [®] -compatible), Voice Control and four (4) speakers. 2D and 3D (bird's eye) map views. Car menu with convenience and service settings. Includes display for Park Distance Control* and Rear View Camera*. App-Connect [^] USB interface for Apple CarPlay [®] , Android Auto [™] and MirrorLink [®] in dash panel.	○	○	○
Bluetooth [®] phone connectivity with contacts display and Bluetooth [®] audio streaming, operation via touchscreen audio unit or Multi-Function Display	●	●	●
Audio, telephone, cruise control and Multi-Function Display controls mounted on steering wheel	●	●	●
Media Control (with 'Discover Media' audio system)	○	○	○
Instrumentation			
Speedometer and tachometer, electronic odometer and trip meter, service interval display, fuel and coolant gauges, low fuel warning light, adjustable illumination; chrome applications of the instrument cluster	●	●	●
Multi-Function Display (MFD Plus) - exterior temperature, speed limit warning, average fuel consumption, brake pad wear indicator, average speed, current fuel consumption, range, journey time, service, gear recommendation, time, digital speed display, digital oil temperature gauge, language setting, light and sound	●	●	●

● Standard ○ Optional — Not Available MWB = Medium Wheelbase LWB = Long Wheelbase LWO = Long Wheelbase with Overhang FWD = Front Wheel Drive RWD = Rear Wheel Drive C35 = standard 3.55t GVM single rear tyre C50 = standard 4.49t GVM dual rear tyre C55 = standard 5.5t GVM dual rear tyre

[^]App-Connect is compatible for selected apps with the latest smartphone versions of iOS and Android, active data service, and connection cable (sold separately). *Safety technologies are designed to assist the driver, but should not be used as a substitute for safe driving practices.

Comfort and Convenience	Van	Single Cab	Dual Cab
Interior Lighting			
Two (2) LED reading lights in cabin	●	●	●
Two (2) roof lights in load compartment	●	—	—
Two (2) roof lights in 2 nd row in cabin	—	—	●
Four (4) LED roof lights in load compartment (part of 'Cargo Area Upgrade Package')	○	—	—
Load Compartment			
Lashing rings for load restraint	10 MWB / 12 LWB / 14 LWO	10 (with optional load platform)	10 LWB with optional load platform
Two (2) 12 Volt sockets in the load area	●	—	—
Partition (high) with window and protective grille	●	—	—
Grab handle on the partition in the load area on the passenger side	●	—	—
Load platform with folding aluminium drop-sides, safety latches and step integrated in the tailboard	—	○	○
Underride guard (with optional load platform)	—	○	○
Mirrors			
Exterior mirrors with integrated LED turn signal and wide angle range (left: convex, right: convex)	●	●	●
Exterior mirrors, power adjustable and heated	●	●	●
Dimming breakaway interior rear view mirror	●	●	●
Seating			
Comfort Seat "Plus" for driver, longitudinal and height adjustment, electronically 4-way adjustable lumbar support, dual adjustable armrests	●	●	●
2-seater bench for front passengers with under seat storage and foldable table in the backrest	●	●	●
4-seater bench for passengers in 2 nd row	—	—	●
"ergoActive" suspension seat - driver	○	○	○
"ergoActive" suspension seat - front passenger (replacing 2-seater bench with single seat; n/a with 2 nd heater core)	○	○	○
Swivel seat — driver	○	○	○
Swivel seat — front passenger (replacing the 2-seater bench with single seat)	○	○	○
Heated seats, separately controllable (driver & front passenger)	○	○	○
Steering Wheel			
Electro-mechanical power-assisted rack and pinion steering	●	●	●
Multi-function steering wheel, height and reach adjustable	●	●	●
Audio, telephone, cruise control and Multi-Function Display controls mounted on steering wheel	●	●	●
Cabin			
Storage compartment under front passenger bench seat	●	●	●
Storage compartment under passenger bench seat in 2 nd row	—	—	●
Illuminated glove compartment with lockable lid	●	●	●
Overhead storage with two 1-DIN-slots and reading lamp	●	●	●
Four (4) cup holders in the dashboard	●	●	●
Front door pockets	●	●	●
Front sunvisors (folding and swiveling) with ticket holder on both sides	●	●	●
Open storage compartments in the dashboard above the glovebox	●	●	●
Open storage compartment next to gear lever	●	●	●
Two (2) 12 Volt sockets in the dashboard	●	●	●
Grab handles for driver and front passenger on A pillar	●	●	●

Comfort and Convenience	Van	Single Cab	Dual Cab
Functional Equipment			
Acoustic warning when reverse gear is engaged, dimming	○	○	○
Digital radio reception (DAB+)	○	○	○
Customer-specific Function Control Unit (CFCU) with bodybuilder programming	●	●	●
Customer-specific Function Control Unit (CFCU) with bodybuilder programming and telematics preparation	○	○	○
Power take-off of transmission without lock and flange, with increased constant power output	—	○ RWD — FWD/4Motion	○ RWD — FWD/4Motion
Cargo Area Upgrade Package			
Load compartment lighting with four (4) LED spot lights and grab handles on each D pillar (2 in total)	○	—	—
Trendline Styling Package			
Illuminated step in the cabin, one additional 12V outlet in cabin, chrome elements in the interior, hub caps with chrome emblems, radio grille painted with 3 (three) chrome molding, front fog lights with cornering function	○	○	○
Winter Package			
Heat-insulating windshield made of laminated glass (heated), leather-wrapped and heated multi-function steering wheel (3-spoke), heated washer nozzle in the front and headlamp washer system with washer fluid level indicator	○	○	○

Volkswagen Accessories

Ready to handle what ever your working day demands

Volkswagen Genuine Accessories ensures your Volkswagen remains 100% Volkswagen. Perfectly tailored to your vehicle and tested to Volkswagen engineering standards to ensure uncompromising safety, quality and design.



01 Cargo securing net

The securing net can be attached directly to the vehicle's factory lashing points or to any position on the optional airline rails integrated into the vehicle floor using the optional tie-down belt fittings.

Part.no 7C0017230 (1400 x 1025mm)

Part.no 7C0017230A (1775 x 1150mm)

Part.no 7C0017230B (2275 x 1650mm)



02 Weathershields

Helps reduce window fogging and deflect wind and rain

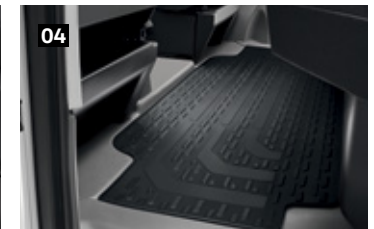
Part.no 7C0072193 (front only)



03 Rubber floor mats, front

Keep the footwell clean all year round. The perfectly fitting and durable mats with Crafter insignia is attached to the floor using the integrated fastening system.

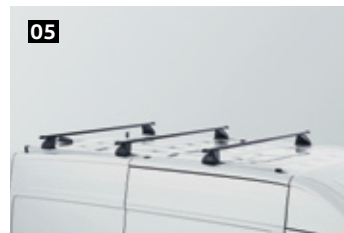
Part.no 7C2061502A82V



04 Rubber floor mats, rear

Protect your vehicle interior from dirt and moisture. They are designed to fit perfectly, are easy to clean and have a non-slip underside.

Part.no 7C006151282V

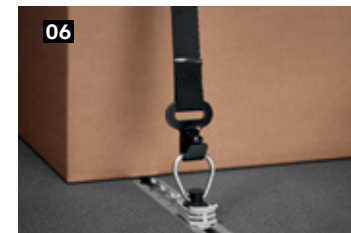


05 Roof bars

The Volkswagen roof bars serve as the ideal base system for all attachments Easily transport larger and longer objects on the roof. Maximum roof bar load limit for 3-bar set is 150kg and 50kg for a single bar. Only available in conjunction with factory optional roof rail system.

Part.no. 2E0071126A (3-bar set)

Part.no. 2E0071126B (single bar)



06 Tie-down belt fitting set

The tie-down belt set is suitable for individual mounting to the lashing rails system. Delivery without belt and individual lashing point.

Part.no 2E0017242 (set = 4 pieces)



07 Lashing Straps with Ratchets

The lashing straps provide you with a quick and simple way of securing your payload. Length: 3500mm.

Part.no. 2E0017244

Colours, Upholstery and Wheels

Solid paint finishes



Candy White | Solid paint finish | B4B4



Cherry Red | Solid paint finish | 4B4B



Luminous Orange | Solid paint finish | E3E3



Deep Ocean Blue | Solid paint finish | OPOP

Metallic and Pearlescent paint finishes



Reflex Silver | Metallic paint finish | 8E8E



Indium Grey | Metallic paint finish | X3X3



Deep Black | Pearlescent paint finish | 2T2T

Seat upholstery



Austin | Cloth seat upholstery | Titanium Black

Wheel



16" alloy wheel with centre wheel trim

Technical Specifications

Engine	2.0 litre TDI340 BlueMotion with engine Stop/Start system~ and brake energy recovery			2.0 litre TDI410 BlueMotion with engine Stop/Start system~ and brake energy recovery		
Type	4-cylinder diesel engine, common rail turbo direct injection			4-cylinder diesel engine, common rail bi-turbo direct injection		
Max Power, kW @ rpm	103 @ 3,500			130 @ 3,600		
Max Torque, Nm @ rpm	340 @ 2,000			410 @ 2,000		
Cubic Capacity, litres/cc	2.0 / 1,968			2.0 / 1,968		
Bore/stroke, mm	81.0 x 95.5			81.0 x 95.5		
Fuel Type	Diesel, min. 51 CZ in accordance with DIN EN 590			Diesel, min. 51 CZ in accordance with DIN EN 590		
Fuel tank capacity, L	75			75		
Compression Ratio	15.5 : 1			15.5 : 1		
Brake Systems	Anti-lock Braking System (ABS) with Electronic Brake-pressure distribution (EBD), Brake Assist and Electronic Stabilisation Program (ESP), Brake energy recuperation					
Suspension Upgrades	Optionally available					
Steering	Electro-mechanical power-assisted rack & pinion steering					
Transmission	Front Wheel Drive	4 Motion	Rear Wheel Drive	Front Wheel Drive	4 Motion	Rear Wheel Drive
6-speed manual	o	—	—	o	o	o
8-speed automatic	o	—	—	o	o	o
Brakes						
Front disc brakes, mm	303 x 28 ventilated	—	—	303 x 28 ventilated		
Rear disc brakes, mm	300 x 22 ventilated	—	—	300 x 22 ventilated	303 x 28 ventilated	

o Optional — Not available

-The Start/Stop system is designed to reduce fuel consumption and CO₂ emissions. It achieves this by automatically switching off the engine while the vehicle is stationary and then starting it again automatically when the driver wants to drive off. There are certain operating conditions where the Start/Stop system is deactivated (e.g. during engine warm-up), please refer to the owner's manual for full operating information.

Weights and Capacities Crafter 35 Van

	Van MWB Standard Roof			Van LWB High Roof			Van LWO High Roof	
	TDI340 FWD	TDI410 FWD	TDI410 4Motion	TDI340 FWD	TDI410 FWD	TDI410 4Motion	TDI340 FWD	TDI410 FWD
Weights								
Gross Vehicle Mass (GVM), kg		3,550			3,550			3,550
Towing Capacity# - Braked, kg		2,500			2,500			2,500
Towing Capacity# - Unbraked, kg		750			750			750
Towing Downball Load, kg		150			150			150
Payload								
Unladen Weight ¹ , kg (manual)	2,085	2,133	2,258	2,229	2,274	2,404	—	—
Payload Maximum ² , kg (manual)	1,465	1,417	1,292	1,321	1,276	1,146	—	—
Unladen Weight ¹ , kg (automatic)	2,156	2,165	2,292	2,297	2,306	2,436	2,370	2,379
Payload Maximum ² , kg (automatic)	1,394	1,385	1,258	1,253	1,244	1,114	1,180	1,171
Roof Load Limit, kg	300	300	300	150	150	150	150	150
Interior Dimensions								
Seating capacity	3	3	3	3	3	3		3
Load Compartment Length, mm	3,450	3,450	3,450	4,300	4,300	4,300		4,855
Load Compartment Width, mm - maximum	1,832	1,832	1,832	1,832	1,832	1,832		1,832
Load Compartment Width, mm at wheel arches	1,380	1,380	1,380	1,380	1,380	1,380		1,380
Load Compartment Height, mm	1,726	1,726	1,626	1,961	1,961	1,861		1,961
Sliding Door Width, mm	1,311	1,311	1,311	1,311	1,311	1,311		1,311
Sliding Door Height, mm	1,587	1,587	1,487	1,822	1,822	1,722		1,822
Barn Door Width, mm	1,552	1,552	1,552	1,552	1,552	1,552		1,552
Barn Door Height, mm	1,605	1,605	1,505	1,840	1,840	1,740		1,840
Load Sill Height, mm	570	570	670	570	570	670		570
Cargo Volume (L) - behind first row	9,900	9,900	9,300	14,400	14,400	13,600		16,400
Turning Circle (m)	13.6	13.6	13.6	16.2	16.2	16.2		16.2
Exterior Dimensions								
Wheelbase, mm		3,640			4,490			4,490
Vehicle Length, mm		5,986			6,836			7,391
Vehicle Width, mm including mirrors		2,427			2,427			2,427
Vehicle Width, mm excluding mirrors		2,040			2,040			2,040
Vehicle height, mm		2,355			2,590			2,590
Front Overhang, mm		1,000			1,000			1,000
Rear Overhang, mm		1,346			1,346			1,901

All dimensions shown in mm.

MWB = Medium Wheelbase LWB = Long Wheelbase LWO = Long Wheelbase with Overhang FWD = Front Wheel Drive RWD = Rear Wheel Drive

1. The Unladen Mass (UM) includes 10L of fuel, vehicle fluids and no occupants. Figures quoted are for base model vehicles only.

2. Payload is defined as the Gross Vehicle Mass (GVM) minus the Kerb Mass. Payload is the maximum combined weight of occupants, cargo, added structures and tow ball down weight (when towing). GVM must not be exceeded.

#Towing capacities are applicable to Volkswagen Genuine Accessory Tow Bar. Towing capacity figures are maximum figures and actual towing capacity depends on factors including the laden mass of the vehicle, driving conditions and fitment of any accessories. Volkswagen Group Australia does not endorse or will not be held liable for any claim, loss or damage arising from the use or fitment of electronic trailer brakes.

Weights and Capacities Crafter 35 Van - GVM Upgrades

	3.88t GVM Upgrade			4.0t GVM Upgrade		
	MWB Standard Roof 340 TDI FWD	410 TDI FWD	410 TDI 4Motion	LWB High Roof TDI 340 FWD	410 TDI FWD	410 TDI 4Motion
Weights						
Gross Vehicle Mass (GVM), kg		3,880	3,880		4,000	
Front axle load limit, kg		2,100	2,100		2,100	
Rear axle load limit, kg		2,100	2,100		2,380	
Towing Capacity# - Braked, kg		2,500	2,500		2,500	
Towing Capacity# - Unbraked, kg		750	750		750	
Towing Downball Load, kg		150	150		150	
Roof Load, kg		150	150		150	
Payload						
Unladen Weight1, kg (manual)	—	2,151	2,268	—	2,294	2,411
Payload Maximum2, kg (manual)	—	1,729	1,612	—	1,706	1,589
Unladen Weight1, kg (automatic)	2,174	2183	2,300	2,316	2,326	2,443
Payload Maximum2, kg (automatic)	1,706	1,697	1,580	1,684	1,674	1,557
Roof Load Limit, kg	300	300	300	150	150	150
Exterior Dimensions						
Wheelbase, mm		3,640	3,640		4,490	
Vehicle Length, mm		5,986	5,986		6,836	
Vehicle Width, mm including mirrors		2,427	2,427		2,427	
Vehicle Width, mm excluding mirrors		2,040	2,040		2,040	
Vehicle height, mm		2,355	2,365		2,590	
Front Overhang, mm		1,000	1,000		1,000	
Rear Overhang, mm		1,346	1,346		1,346	

All dimensions shown in mm.

MWB = Medium Wheelbase LWB = Long Wheelbase LWO = Long Wheelbase with Overhang FWD = Front Wheel Drive RWD = Rear Wheel Drive

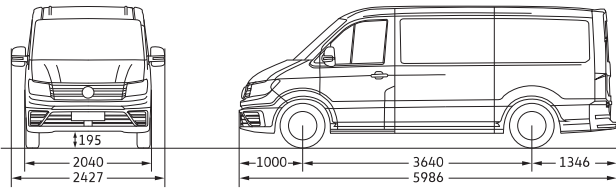
1. The Unladen Mass (UM) includes 10L of fuel, vehicle fluids and no occupants. Figures quoted are for base model vehicles only.

2. Payload is defined as the Gross Vehicle Mass (GVM) minus the Kerb Mass. Payload is the maximum combined weight of occupants, cargo, added structures and tow ball down weight (when towing). GVM must not be exceeded.

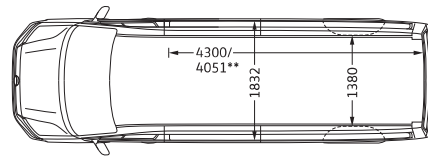
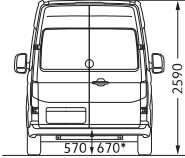
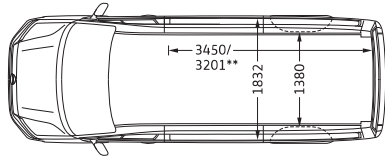
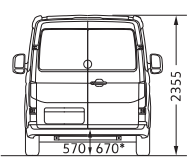
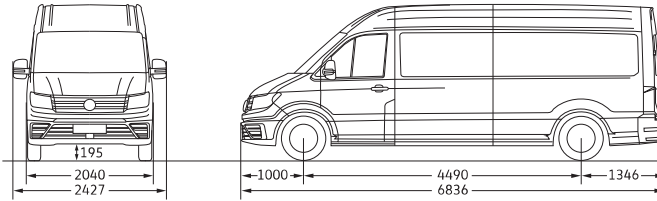
#Towing capacities are applicable to Volkswagen Genuine Accessory Tow Bar. Towing capacity figures are maximum figures and actual towing capacity depends on factors including the laden mass of the vehicle, driving conditions and fitment of any accessories. Volkswagen Group Australia does not endorse or will not be held liable for any claim, loss or damage arising from the use or fitment of electronic trailer brakes.

Dimensions Crafter 35 Van

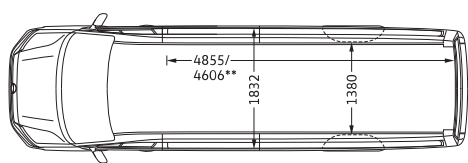
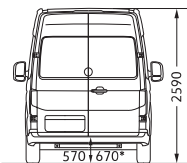
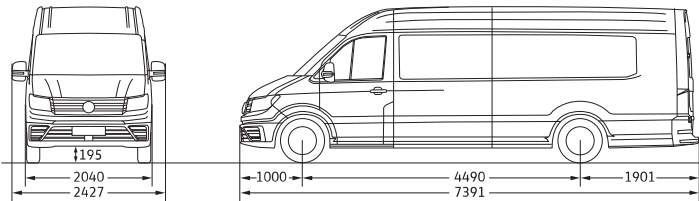
Crafter 35 Van MWB Standard Roof



Crafter 35 Van LWB High Roof



Crafter 35 Van LWO High Roof



All dimensions shown in mm.

*This value applies for 4Motion all-wheel drive. **Load compartment length, max. (at floor level)/load compartment length, min.

MWB = Medium Wheelbase LWB = Long Wheelbase LWO = Long Wheelbase with Overhang FWD = Front Wheel Drive RWD = Rear Wheel Drive

Weights and Capacities Crafter 50/55 Van

	Crafter 50 Van			Crafter 55 Van		
	Van MWB Standard Roof	Van LWB High Roof	Van LWO High Roof	Van MWB Standard Roof	Van LWB High Roof	Van LWO High Roof
Weights	TDI410 RWD			TDI410 RWD		
Gross Vehicle Mass (GVM), kg		4,490			5,500	
Towing Capacity* - Braked, kg		3,500			3,500	
Towing Capacity* - Unbraked, kg		750			750	
Towing Downball Load, kg		150			150	
Payload						
Unladen Weight ¹ , kg (manual)	—	—	—	—	—	—
Payload Maximum ² , kg (manual)	—	—	—	—	—	—
Unladen Weight ¹ , kg (automatic)	2,468	2,618	2,690	2,489	2,640	2,711
Payload Maximum ² , kg (automatic)	2,022	1,872	1,800	3,011	2,860	2,789
Front Axle Load Limit (kg)		2,200			2,200	
Rear Axle Load Limit (kg)		3,500			4,000	
Roof Load Limit, kg	300	150	150	300	150	150
Interior Dimensions						
Seating capacity	3	3	3	3	3	3
Load Compartment Length, mm	3,450	4,300	4,855	3,450	4,300	4,855
Load Compartment Width, mm - maximum	1,832	1,832	1,832	1,832	1,832	1,832
Load Compartment Width, mm at wheel arches	1,030	1,030	1,030	1,030	1,030	1,030
Load Compartment Height, mm	1,626	1,861	1,861	1,626	1,861	1,861
Sliding Door Width, mm	1,311	1,311	1,311	1,311	1,311	1,311
Sliding Door Height, mm	1,487	1,722	1,722	1,487	1,722	1,722
Barn Door Width, mm	1,552	1,552	1,552	1,552	1,552	1,552
Barn Door Height, mm	1,505	1,740	1,740	1,505	1,740	1,740
Load Sill Height, mm	720	720	725	720	720	725
Cargo Volume (L) - behind first row	9,300	13,600	15,500	9,300	13,600	15,500
Turning Circle (m)	13.6	16.2	16.2	13.6	16.2	16.2
Exterior Dimensions						
Wheelbase, mm	3,640	4,490	4,490	3,640	4,490	4,490
Vehicle Length, mm	5,986	6,836	7,391	5,986	6,836	7,391
Vehicle Width, mm including mirrors	2,427	2,427	2,427	2,427	2,427	2,427
Vehicle Width, mm excluding mirrors	2,069	2,069	2,069	2,069	2,069	2,069
Vehicle height, mm	2,390	2,590	2,590	2,390	2,590	2,590
Front Overhang, mm	1,000	1,000	1,000	1,000	1,000	1,000
Rear Overhang, mm	1,346	1,346	1,901	1,346	1,346	1,901

All dimensions shown in mm.

MWB = Medium Wheelbase LWB = Long Wheelbase LWO = Long Wheelbase with Overhang FWD = Front Wheel Drive RWD = Rear Wheel Drive

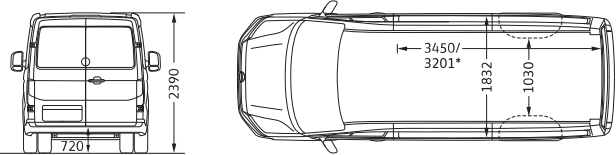
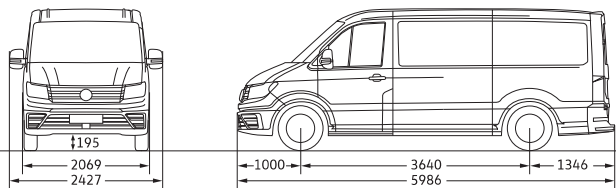
1. The Unladen Mass (UM) includes 10L of fuel, vehicle fluids and no occupants. Figures quoted are for base model vehicles only.

2. Payload is defined as the Gross Vehicle Mass (GVM) minus the Kerb Mass. Payload is the maximum combined weight of occupants, cargo, added structures and tow ball down weight (when towing). GVM must not be exceeded.

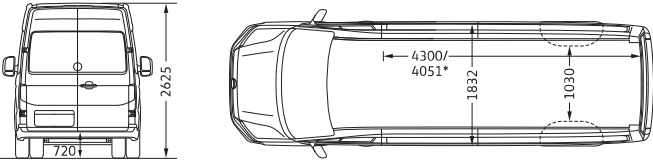
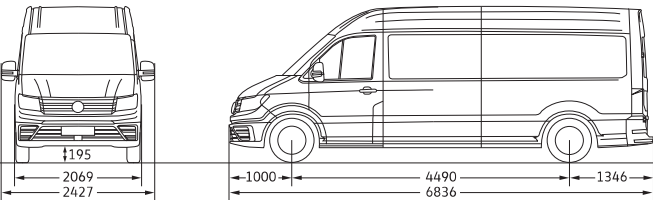
*Towing capacities are applicable to Volkswagen Genuine Accessory Tow Bar. Towing capacity figures are maximum figures and actual towing capacity depends on factors including the laden mass of the vehicle, driving conditions and fitment of any accessories. Volkswagen Group Australia does not endorse or will not be held liable for any claim, loss or damage arising from the use or fitment of electronic trailer brakes.

Dimensions Crafter 50/55 Van

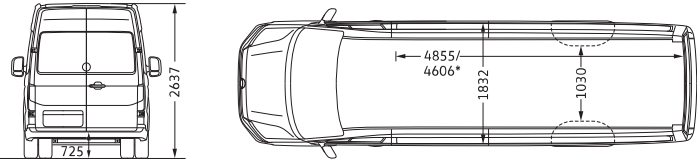
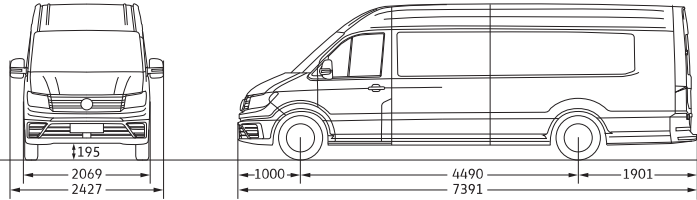
Crafter 50/55 Van MWB Standard Roof



Crafter 50/55 Van LWB High Roof



Crafter 50/55 Van LWO High Roof



All dimensions shown in mm.
 *Load compartment length, max. (at floor level)/load compartment length, min.
 MWB = Medium Wheelbase LWB = Long Wheelbase LWO = Long Wheelbase with Overhang FWD = Front Wheel Drive RWD = Rear Wheel Drive

Weights and Capacities Crafter 35 Cab Chassis

	Single Cab LWB				Dual Cab LWB			
	TDI340 FWD	TDI410 FWD	TDI410 4Motion	TDI410 RWD Single Rear Tyre	TDI340 FWD	TDI410 FWD	TDI410 4Motion	TDI410 RWD Single Rear Tyre
Weights								
Gross Vehicle Mass (GVM), kg		3,550		3,550		3,550		3,550
Towing Capacity* - Braked, kg		2,500		3,500		2,500		3,500
Towing Capacity* - Unbraked, kg		750		750		750		750
Towing Downball Load, kg		150		150		150		150
Payload								
Unladen Weight ¹ , kg (manual)	—	—	—	1,977	—	—	—	2,159
Payload Maximum ² , kg (manual)	—	—	—	1,573	—	—	—	1,391
Unladen Weight ¹ , kg (automatic)	1,905	1,914	2,039	—	2,087	2,096	2,221	—
Payload Maximum ² , kg (automatic)	1,645	1,636	1,511	—	1,463	1,454	1,329	—
Roof Load Limit, kg	50	50	50	50	50	50	50	50
Interior Dimensions								
Seating capacity			3				7	
Load Platform with Optional Alloy Tray, m ²			8.8				7.1	
Load Compartment Length, mm			4,300				3,500	
Load Compartment Width, mm - maximum			2,040				2,040	
Load Compartment Width, mm at wheel arches			2,040				2,040	
Load Compartment Height, mm			400				400	
Load Sill Height, mm			1,000				1,000	
Turning Circle (m)			16.2				16.2	
Exterior Dimensions								
Wheelbase, mm		4,490		4,490		4,490		4,490
Vehicle Length, mm		6,846		6,846		6,846		6,846
Vehicle Length with optional alloy tray, mm		7,004		7,004		7,004		7,004
Vehicle Width, mm including mirrors		2,427 (2,657*)		2,427 (2,657*)		2,427 (2,657*)		2,427 (2,657*)
Vehicle Width, mm excluding mirrors		2,033		2,033		2,037		2,037
Vehicle Width excluding mirrors with optional alloy tray, mm		2,098		2,098		2,098		2,098
Vehicle height, mm		2,305		2,305		2,321		2,321
Front Overhang, mm		1,000		1,000		1,000		1,000
Rear Overhang, mm		1,356		1,356		1,356		1,356
Rear Overhang with optional alloy tray, mm		1,514		1,514		1,514		1,514

All dimensions shown in mm.

*This value applies for the optional bow-mounted door mirror extensions.

MWB = Medium Wheelbase LWB = Long Wheelbase LWO = Long Wheelbase with Overhang FWD = Front Wheel Drive RWD = Rear Wheel Drive

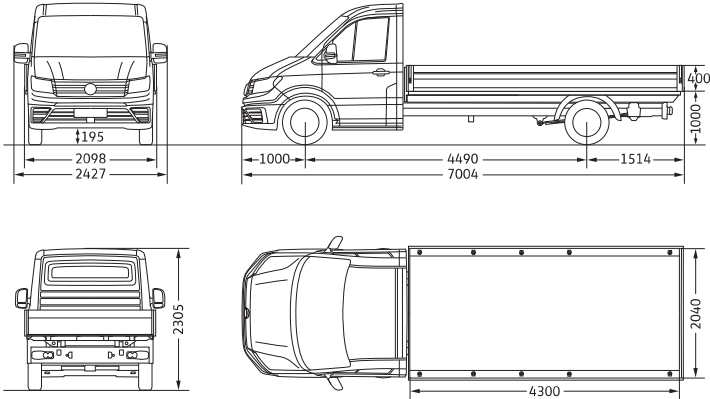
1. The Unladen Mass (UM) includes 10L of fuel, vehicle fluids and no occupants. Figures quoted are for base model vehicles only.

2. Payload is defined as the Gross Vehicle Mass (GVM) minus the Kerb Mass. Payload is the maximum combined weight of occupants, cargo, added structures and tow ball down weight (when towing). GVM must not be exceeded.

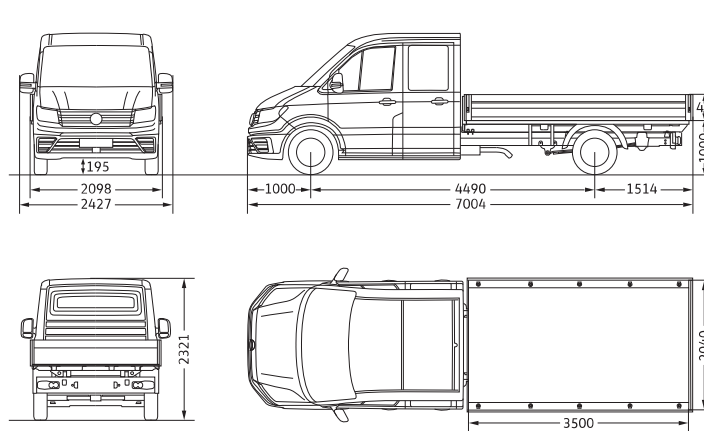
#Towing capacities are applicable to Volkswagen Genuine Accessory Tow Bar. Towing capacity figures are maximum figures and actual towing capacity depends on factors including the laden mass of the vehicle, driving conditions and fitment of any accessories. Volkswagen Group Australia does not endorse or will not be held liable for any claim, loss or damage arising from the use or fitment of electronic trailer brakes.

Dimensions Crafter 35 Cab Chassis

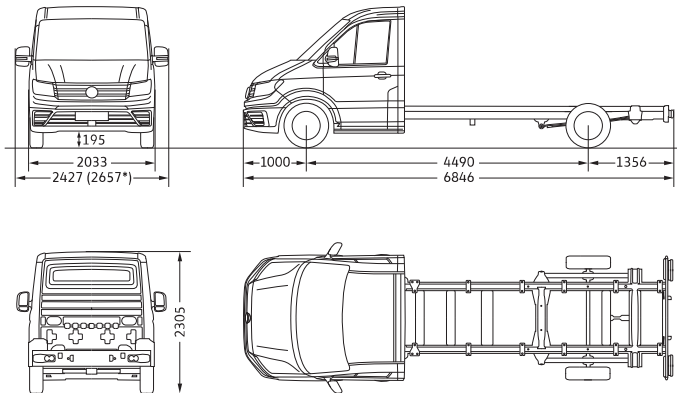
Crafter 35 Single Cab LWB - with Optional Alloy Tray



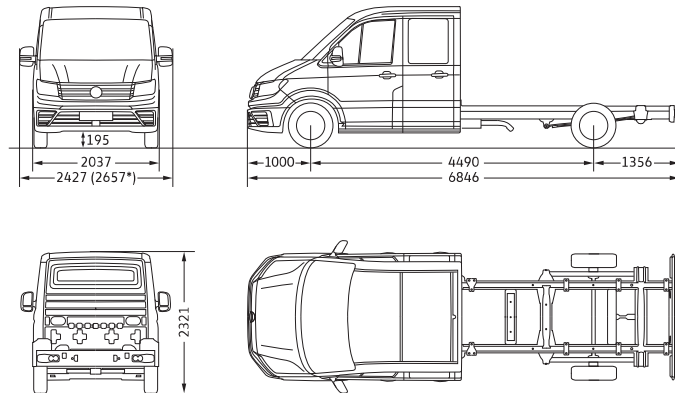
Crafter 35 Dual Cab LWB - with Optional Alloy Tray



Crafter 35 Single Cab Chassis LWB



Crafter 35 Dual Cab Chassis LWB



All dimensions shown in mm.

*This value applies for the optional bow-mounted door mirror extensions.

MWB = Medium Wheelbase LWB = Long Wheelbase LWO = Long Wheelbase with Overhang FWD = Front Wheel Drive RWD = Rear Wheel Drive

Weights and Capacities. Crafter 50/55 Cab Chassis

	Crafter 50					Crafter 55			
	Single Cab MWB	Single Cab LWB	Single Cab LWO	Dual Cab MWB	Dual Cab LWB	Single Cab MWB	Single Cab LWB	Single Cab LWO	Dual Cab LWB
Weights	TDI 410 RWD					TDI 410 RWD			
Gross Vehicle Mass (GVM), kg			4,490					5,500	
Towing Capacity* - Braked, kg			3,500					3,500	
Towing Capacity* - Unbraked, kg			750					750	
Towing Downball Load, kg			150					150	
Payload									
Unladen Weight ¹ , kg (manual)	–	–	–	–	–	–	–	–	–
Payload Maximum ² , kg (manual)	–	–	–	–	–	–	–	–	–
Unladen Weight ¹ , kg (automatic)	2,098	2,141	2,156	2,244	2,292	2,119	2,162	2,177	2,314
Payload Maximum ² , kg (automatic)	2,392	2,349	2,334	2,246	2,198	3,381	3,338	3,323	3,186
Front Axle Load Limit (kg)			2,200					2,200	
Rear Axle Load Limit (kg)			3,500					4,000	
Roof Load Limit, kg	50	50	50	50	50	50	50	50	50
Interior Dimensions									
Seating capacity	3	3	3	7	7	3	3	3	7
Load Platform with optional alloy tray, m ²	7.1	8.8	9.6	5.5	7.1	7.1	8.8	9.6	7.1
Load Compartment Length, mm	3,500	4,300	4,700	2,700	3,500	3,500	4,300	4,700	3,500
Load Compartment Width, mm - maximum	2,040	2,040	2,040	2,040	2,040	2,040	2,040	2,040	2,040
Load Compartment Width, mm at wheel arches	2,040	2,040	2,040	2,040	2,040	2,040	2,040	2,040	2,040
Load Compartment Height, mm	400	400	400	400	400	400	400	400	400
Load Sill Height, mm	1,040	1,035	1,050	1,040	1,035	1,040	1,035	1,050	1,035
Turning Circle (m)	13.6	16.2	16.2	13.6	16.2	13.6	16.2	16.2	16.2
Payload									
Wheelbase, mm	3,640	4,490	4,490	3,640	4,490	3,640	4,490	4,490	4,490
Vehicle Length, mm	5,968	6,818	7,211	5,968	6,818	5,968	6,818	7,211	6,818
Vehicle Length with optional alloy tray, mm	6,204	7,004	7,404	6,204	7,004	6,204	7,004	7,404	7,004
Vehicle Width, mm including mirrors	2,427 (2,657*)	2,427 (2,657*)	2,427 (2,657*)	2,427 (2,657*)	2,427 (2,657*)	2,427 (2,657*)	2,427 (2,657*)	2,427 (2,657*)	2,427 (2,657*)
Vehicle Width, mm excluding mirrors	2,033	2,033	2,033	2,037	2,037	2,033	2,033	2,033	2,037
Vehicle Width excluding mirrors with optional alloy tray, mm	2,098	2,098	2,098	2,098	2,098	2,098	2,098	2,098	2,098
Vehicle height, mm	2,327	2,319	2,319	2,352	2,339	2,327	2,319	2,319	2,339
Front Overhang, mm	1,000	1,000	1,000	1,000	1,000	1,000	1,000	1,000	1,000
Rear Overhang, mm	1,328	1,328	1,721	1,328	1,328	1,328	1,328	1,721	1,328
Rear Overhang with optional alloy tray, mm	1,564	1,514	1,914	1,564	1,514	1,564	1,514	1,914	1,514

All dimensions shown in mm.

*This value applies for the optional bow-mounted door mirror extensions.

MWB = Medium Wheelbase LWB = Long Wheelbase LWO = Long Wheelbase with Overhang RWD = Rear Wheel Drive

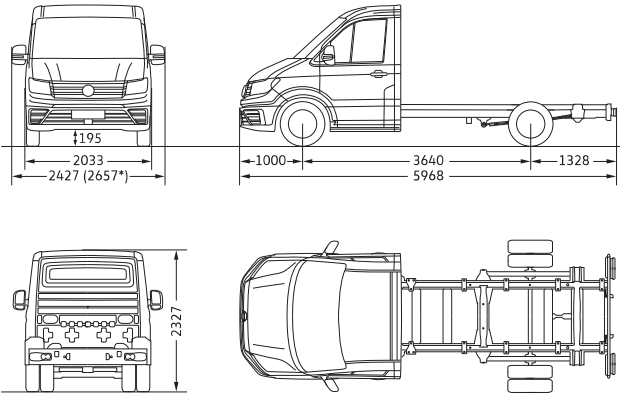
1. The Unladen Mass (UM) includes 10L of fuel, vehicle fluids and no occupants. Figures quoted are for base model vehicles only.

2. Payload is defined as the Gross Vehicle Mass (GVM) minus the Kerb Mass. Payload is the maximum combined weight of occupants, cargo, added structures and tow ball down weight (when towing). GVM must not be exceeded.

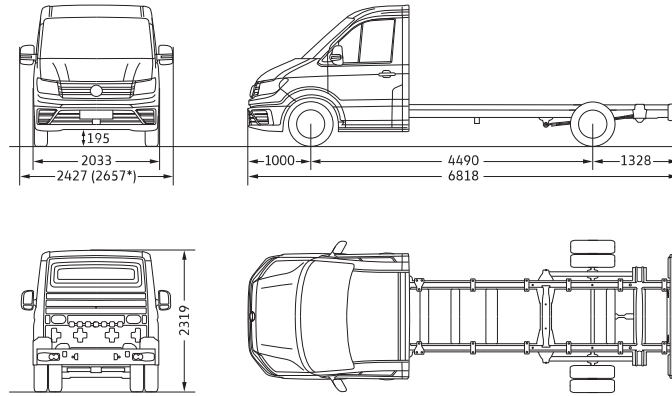
*Towing capacities are applicable to Volkswagen Genuine Accessory Tow Bar. Towing capacity figures are maximum figures and actual towing capacity depends on factors including the laden mass of the vehicle, driving conditions and fitment of any accessories. Volkswagen Group Australia does not endorse or will not be held liable for any claim, loss or damage arising from the use or fitment of electronic trailer brakes.

Dimensions Crafter 50/55 Cab Chassis

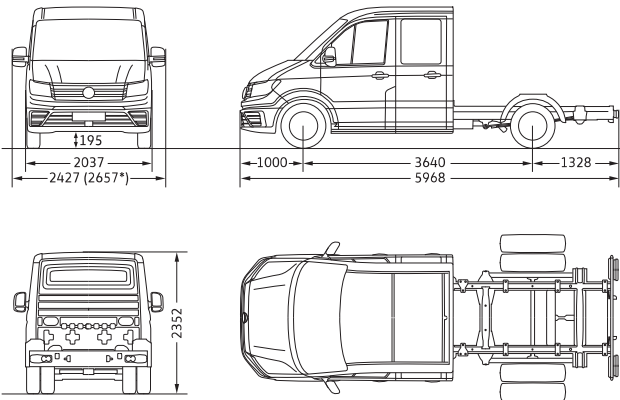
Crafter 50/55 Single Cab Chassis MWB



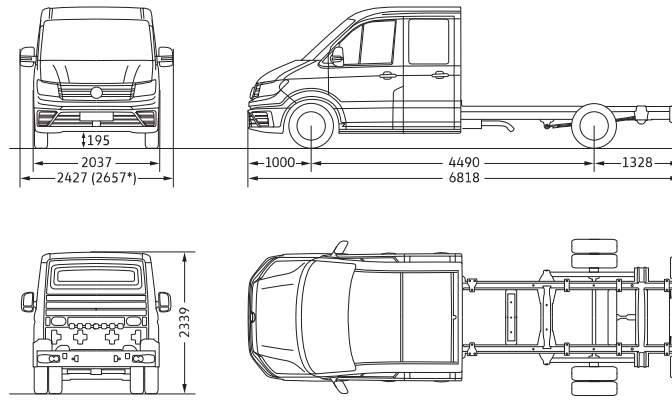
Crafter 50/55 Single Cab Chassis LWB



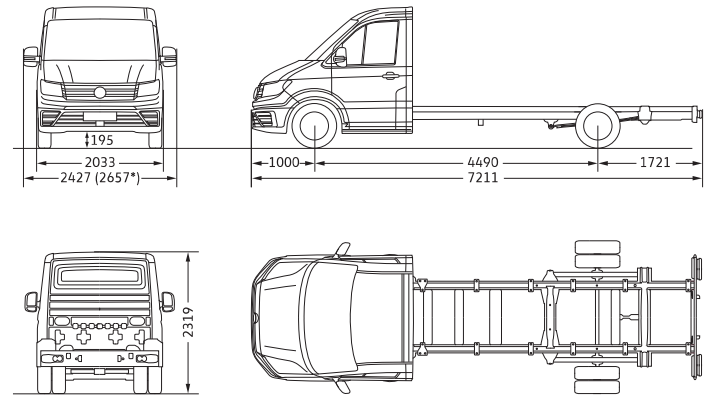
Crafter 50 Dual Cab Chassis MWB



Crafter 50/55 Dual Cab Chassis LWB



Crafter 50/55 Single Cab Chassis LWO



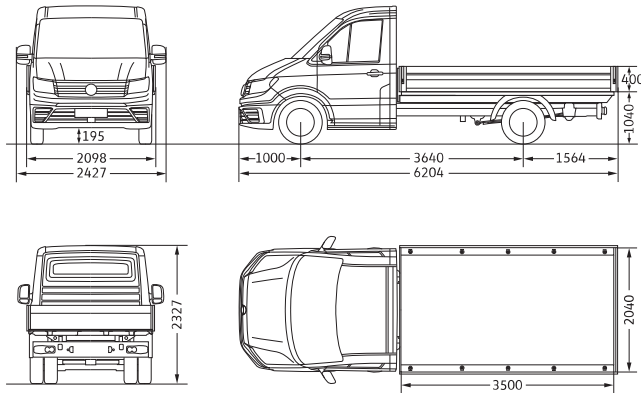
All dimensions shown in mm.

*This value applies for the optional bow-mounted door mirror extensions.

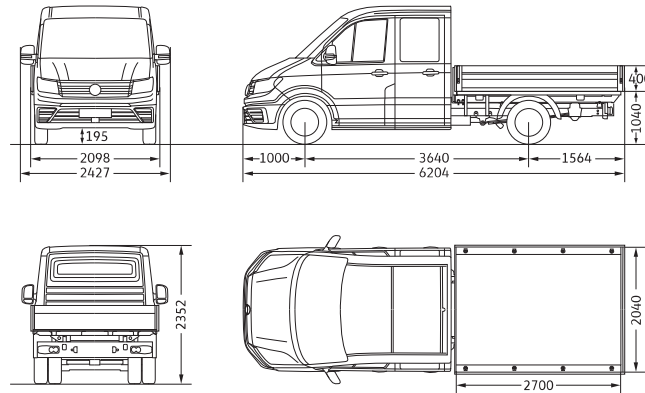
MWB = Medium Wheelbase LWB = Long Wheelbase LWO = Long Wheelbase with Overhang FWD = Front Wheel Drive RWD = Rear Wheel Drive

Dimensions Crafter 50/55 Cab Chassis with Optional Alloy Tray

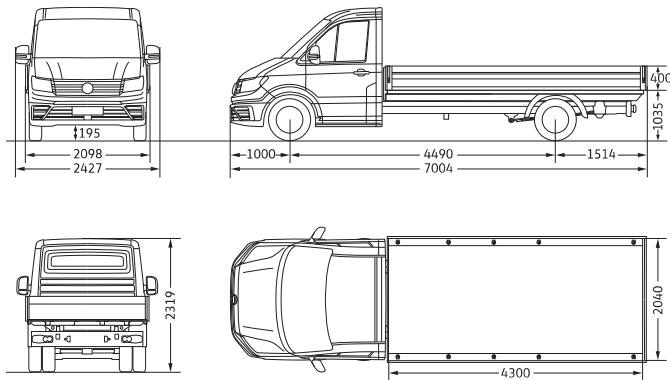
Crafter 50/55 Single Cab Chassis MWB - with Optional Alloy Tray



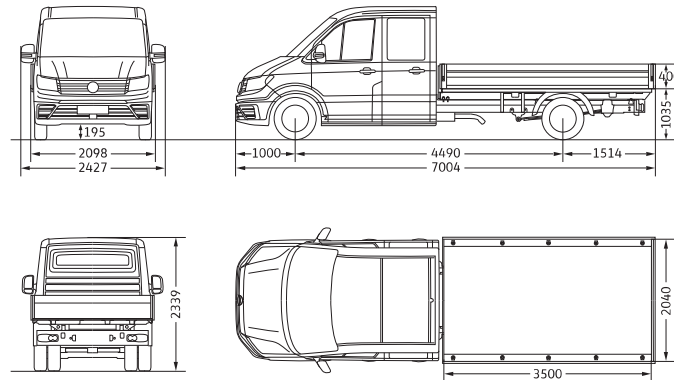
Crafter 50/55 Dual Cab Chassis MWB - with Optional Alloy Tray



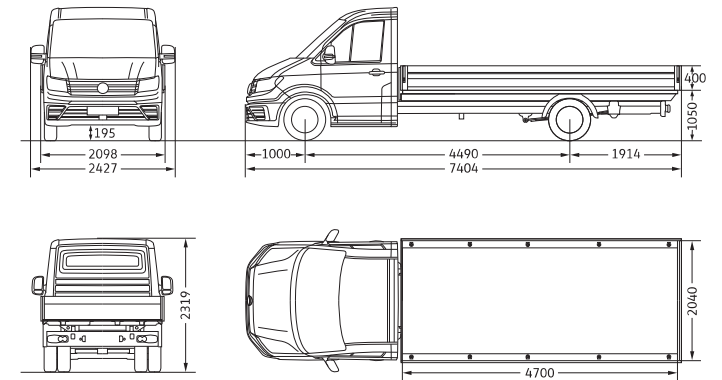
Crafter 50/55 Single Cab Chassis LWB - with Optional Alloy Tray



Crafter 50/55 Dual Cab Chassis LWB - with Optional Alloy Tray



Crafter 50/55 Single Cab Chassis LWO - with Optional Alloy Tray



All dimensions shown in mm.

*This value applies for the optional bow-mounted door mirror extensions.

MWB = Medium Wheelbase LWB = Long Wheelbase LWO = Long Wheelbase with Overhang FWD = Front Wheel Drive RWD = Rear Wheel Drive

Peace of Mind



5 years

Unlimited Kilometre Warranty

At Volkswagen, we pride ourselves on the highest quality standards that come with German engineering.

We back this commitment with a 5 year unlimited kilometre warranty on all new Volkswagen vehicles*.



1 year

Roadside Assist

Every new Volkswagen comes with a 1 year Roadside Assist membership^.

That's 24 hour roadside assistance, emergency accommodation, car rental and towing as well as property and other assistance, all included for added peace of mind.



Volkswagen

Care Plans

Volkswagen Care Plans† have you covered for your first 3 or 5 scheduled services, providing you significant savings off the total Assured Service Pricing RRP. It's convenient, hassle-free scheduled servicing easily available for purchase at your local Volkswagen Dealer.



Assured

Service Pricing

Assured Service Pricing# gives you the transparency of knowing how much your service will cost up front.

Our Volkswagen Dealers have access to the latest diagnostic equipment and tools. Plus, they use Volkswagen Genuine Parts® to ensure your Volkswagen stays a Volkswagen.

You're in safe hands at your Volkswagen Dealer when it comes to servicing.

*Conditions and exclusions apply, see <https://www.volkswagen.com.au/en/owners/warranty.html>. Your rights under this warranty are provided in addition to, and in some cases overlap with, consumer guarantees under the Australian Consumer Law and do not limit or replace them.

^Volkswagen Roadside Assist is provided by AWP Australia Pty Ltd ABN 52 097 227 177 trading as Allianz Global Assistance, under an arrangement with Volkswagen Group Australia Pty Limited ABN 14 093 117 876. Conditions and exclusions apply, see <https://www.volkswagen.com.au/en/owners/roadside-assist.html>.

†Volkswagen Care Plans are available at participating Volkswagen Dealers for all models and covers standard items as contained in each scheduled service interval only. These Care Plans can only be purchased prior to the first scheduled service and up to 22,500 km/15 months (whichever occurs first) for all models except Volkswagen Crafter models, which is 30,000 km/15 months (whichever occurs first). The timeframe takes effect from when the vehicle is first reported in our system as 'sold'. Discount structure varies by model. For details of what is not included in a scheduled service, please refer to the program terms and conditions available here: <https://www.volkswagen.com.au/en/owners/volkswagen-care-plans.html>

#Assured Service Pricing applies to the first 5 standard scheduled services of your vehicle which are scheduled to occur at every 15,000 km/12 month interval (whichever occurs first) or for Volkswagen Crafter models only, 20,000 km/12 month interval (whichever occurs first). On or before 31 December each year, Volkswagen will publish the maximum price for a specified Scheduled Service that will be applicable from, and remain fixed for, the following calendar year only. For details on the Eligible Model List, pricing, items not included and for full terms and conditions, please see <https://au.volkswagen.com.au/service-pricing-guide>.

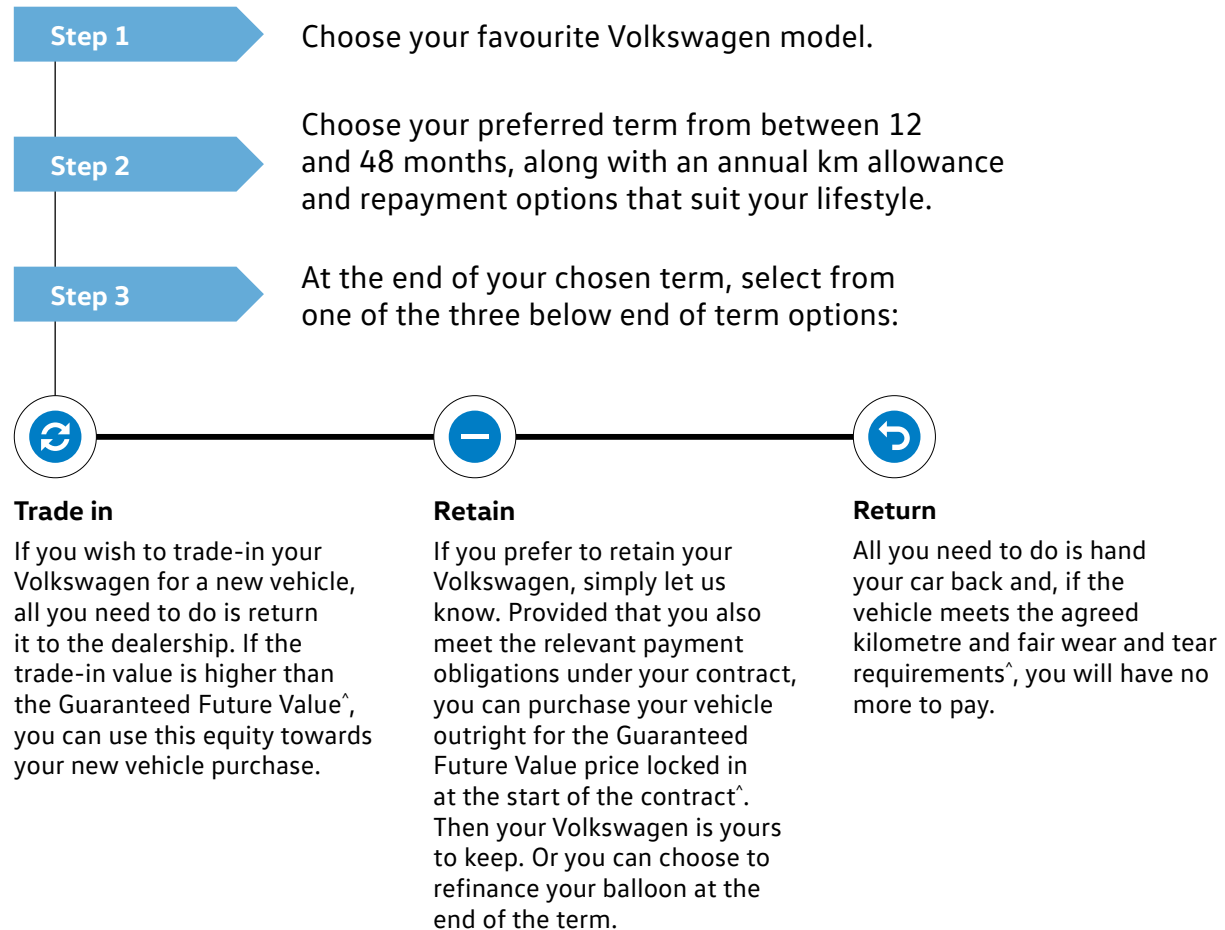
Volkswagen Choice

Volkswagen Choice

Guaranteed Future Value

Naturally we understand that your Volkswagen represents a valuable investment, so we understand that you want to maintain it in premium condition. Volkswagen Choice[^] is a finance program tailored to the requirements of Volkswagen owners by providing assurance around your Volkswagen's future value[^], whilst offering simple monthly instalment financing options.

Whether you are selecting your new Volkswagen for business or personal use, you can choose the contract term that best suits your requirements. Enjoy the confidence that comes from having locked in a minimum value up front to be attributed to your vehicle at the end of your contract[^]. There are also no account keeping fees with a fixed interest rate.



[^]The Volkswagen Choice Program consists of an option to return the vehicle to Volkswagen Financial Services (VFS)** at the end of the term and require VFS to purchase the vehicle at price known as the Guaranteed Future Value (GFV) as determined by VFS. At the end of the term, you can elect to: (1) trade-in the vehicle; (2) exercise the option to return the vehicle; or (3) retain the vehicle by paying the GFV, which is a lump sum owed to VFS at the end of the loan term after all repayments have been made. You will be liable for any loan contract deficit and additional charges, if you exceed the nominated kilometre allowance and/or the vehicle is not in an acceptable condition. Available on new and demonstrator Volkswagen vehicles for selected models. Contact your nearest Volkswagen dealer to verify eligible vehicles for this program. Fleet, government, rental buyers, hire car and chauffeur companies excluded.

**VFS is trading name of Volkswagen Financial Services Pty Ltd ABN 20 097 071 460, Australian Credit Licence 389344.

The Crafter Range

Volkswagen Group Australia Pty Ltd
24 Muir Road Chullora NSW 2190
ABN 14 093 117 876

Printed in Australia
March 2020
www.volkswagen.com.au

Publication: VWCCRAPRESSSPMY20

Important information

Apple CarPlay® is a registered trade mark of Apple Inc. Android Auto™ is a registered trade mark of Google Inc. MirrorLink® is a registered trade mark of Car Connectivity Consortium LLC. Bluetooth® is a registered trade mark of Bluetooth SIG Inc.

Volkswagen distributed by Volkswagen Group Australia Pty Ltd (ABN 14 093 117 876) of 24 Muir Road Chullora, NSW 2190. Specifications are as planned at October 2019, for Model Year 2020 and are subject to change without notice or obligation. All information in this brochure are correct at the time of publication, however variations may occur from time to time and Volkswagen, in so far as it is permitted by law to do so, shall not be liable in any way as a result of any reliance by any person on anything contained in this brochure. Authorised Volkswagen dealers will provide up-to-date information on model application, design feature, prices, and availability on request.

Your Volkswagen Dealer.